

Minuteman[®]
Excellence Meets Clean



**Parts and Instruction Manual
390 Series 4 & 6 Gallon
Stainless Steel & Painted**

This manual is furnished with each new **MINUTEMAN 390 Series Vacuum**. This provides the necessary operating and preventive maintenance instructions. Operators must read and understand this manual before operating or servicing this machine.

This machine was designed to give you excellent performance and efficiency. For best results and minimal cost, please follow the general guidelines below:

- Operate the machine with reasonable care.
- Follow the manufacturers suggested maintenance instructions as provided in this booklet.
- Use original Minuteman supplied parts.

Model	390
Model No.	C39485-01 / C39485-03 / C39485-11 / C39485-13 C39685-01 / C39685-03

Table of Contents

IMPORTANT SAFETY INSTRUCTIONS	1
Inspection	2
Electrical	2
Grounding Instructions	2
User Maintenance Instructions	3
Cloth Bag & Hose Assembly	3
Cord Storage	3
Optional Industrial Tools and Accessories	4
Lid Assembly	5
Lid Assembly BOM	6
Tank Assembly	7
Tank Assembly BOM	8
Bag Assembly	9
Hose Assembly	10
Minuteman International Made Simple Commercial Limited Warranty	11

FOR COMMERCIAL USE ONLY
IMPORTANT SAFETY INSTRUCTIONS

When using an electrical appliance, basic precautions should always be followed, including the following:

READ ALL INSTRUCTIONS BEFORE USING

WARNING - To reduce the risk of fire, electric shock, or injury:

WARNING: C39685-01, 03 Wet and Dry

To reduce the risk of electric shock - Do not expose to rain. Store indoors.

WARNING: C39685-01, 03 Dry Only

To reduce the risk of electric shock - Do not expose to rain. Store indoors.

- Do not leave appliance when plugged in. Unplug from outlet when not in use and before servicing.
- Do not allow to be used as a toy. Close attention is necessary when used by or near children.
- Use only as described in this manual. Use only manufacturer's recommended attachments.
- Do not use with damaged cord or plug. If appliance is not working as it should, has been dropped, damaged, left outdoors, or dropped into water, return it to a service center.
- Do not pull or carry by cord, use cord as a handle, close a door on cord, or pull cord around sharp edges or corners. Do not run appliance over cord. Keep cord away from heated surfaces.
- Do not unplug by pulling on cord. To unplug, grasp the plug, not the cord.
- Do not handle plug or appliance with wet hands.
- Do not put any object into openings. Do not use with any opening blocked; keep free of dust, lint, hair, and anything that may reduce air flow.
- Keep hair, loose clothing, fingers, and all parts of body away from openings and moving parts.
- Do not pick up anything that is burning or smoking, such as cigarettes, matches, or hot ashes.
- Do not use without dustbag and/or filters in place.
- Turn off all controls before unplugging.
- Use extra care when cleaning on stairs.
- Do not use to pick up flammable or combustible liquids such as gasoline or use in areas where they may be present.
- Connect to a properly grounded outlet only. See grounding instructions.

SAVE THESE INSTRUCTIONS

Inspection

Carefully unpack and inspect your machine for shipping damage. Each unit is tested and thoroughly inspected before shipment, and any damage is the responsibility of the delivery carrier who should be notified immediately.

Electrical

This machine is designed to operate on a standard 15 amp, 115 volt, 60 hz, AC circuit. Voltages below 105 volts AC or above 125 volts AC could cause serious damage to the motor.

WARNING

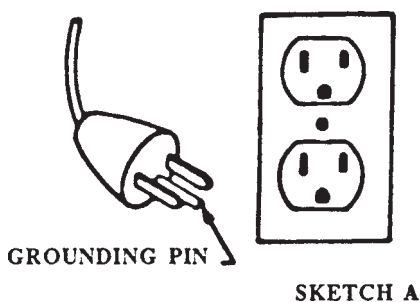
To reduce the risk of electric shock - Do not expose to rain. Store indoors.

Grounding Instructions

This appliance must be grounded. If it should malfunction or breakdown, grounding provides a path of least resistance for electric current to reduce the risk of electric shock. This appliance is equipped with a cord having an equipment-grounding conductor and grounding plug. The plug must be plugged into an appropriate outlet that is properly installed and grounded in accordance with all local codes and ordinances.

DANGER - Improper connection of the equipment-grounding conductor can result in a risk of electric shock. Check with a qualified electrician or service person if you are in doubt as to whether the outlet is properly grounded. Do not modify the plug provided with the appliance — if it will not fit the outlet, have a proper outlet installed by a qualified electrician.

This appliance is for use on a nominal 120-volt circuit and has a grounding plug that looks like the plug illustrated in sketch A below. Make sure that the appliance is connected to an outlet having the same configuration as the plug. No adapter should be used with this appliance.



User Maintenance Instructions

All service and repair should be performed by qualified vacuum service representative or electrician. No user serviceable components are employed in the electrical vacuum lid head assembly. No lubrication of the motor is required.

Cloth Bag & Hose Assembly

Cloth bag and hose assembly are user maintenance items and can be replaced when worn out. For optimum performance, empty and clean filter bag regularly. A clogged and dirty bag restricts the flow of air and results in reduced vacuum. The hose assembly can be maintained by wiping off with a dampened cloth of mild liquid soap and water, then allowed to dry.




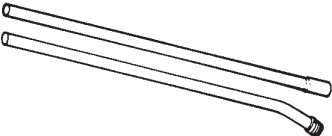



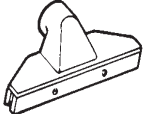
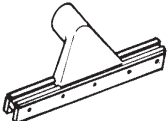
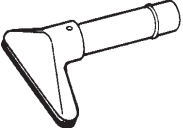

Cord Storage

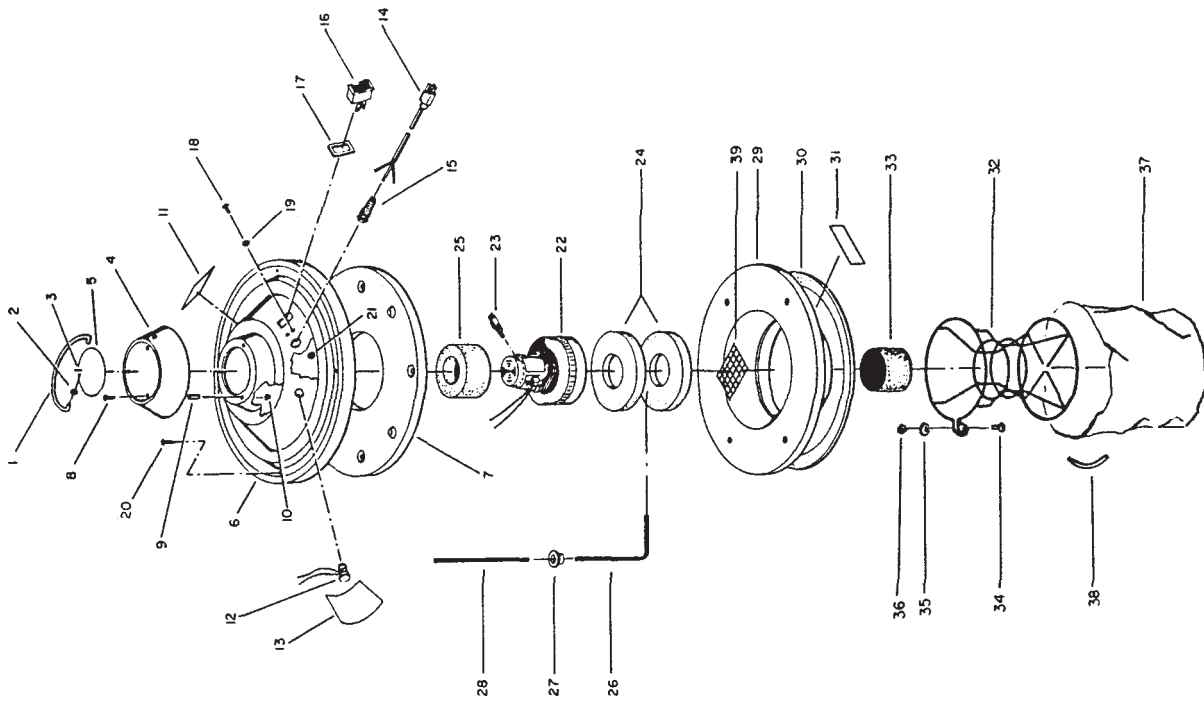
While not in use storage can be accomplished by winding cord around motor lid assembly. Cord should be completely unwound from lid assembly during operation.

- Do not use with damaged cord or plug. If appliance is not working as it should, has been dropped, damaged, left outdoors, or dropped into water, return to service center.
- Do not pull or carry by cord, use cord as handle, close a door on cord, or pull cord around sharp edges or corners. Do not run appliance over cord. Keep cord away from heated surfaces.
- Do not unplug by pulling cord. To unplug, grasp the plug, not the cord.
- Do not handle plug or appliance with wet hands.
- Always unplug the machine when removing the motor head off the tank. This equipment should be stored indoors and not exposed to rain.

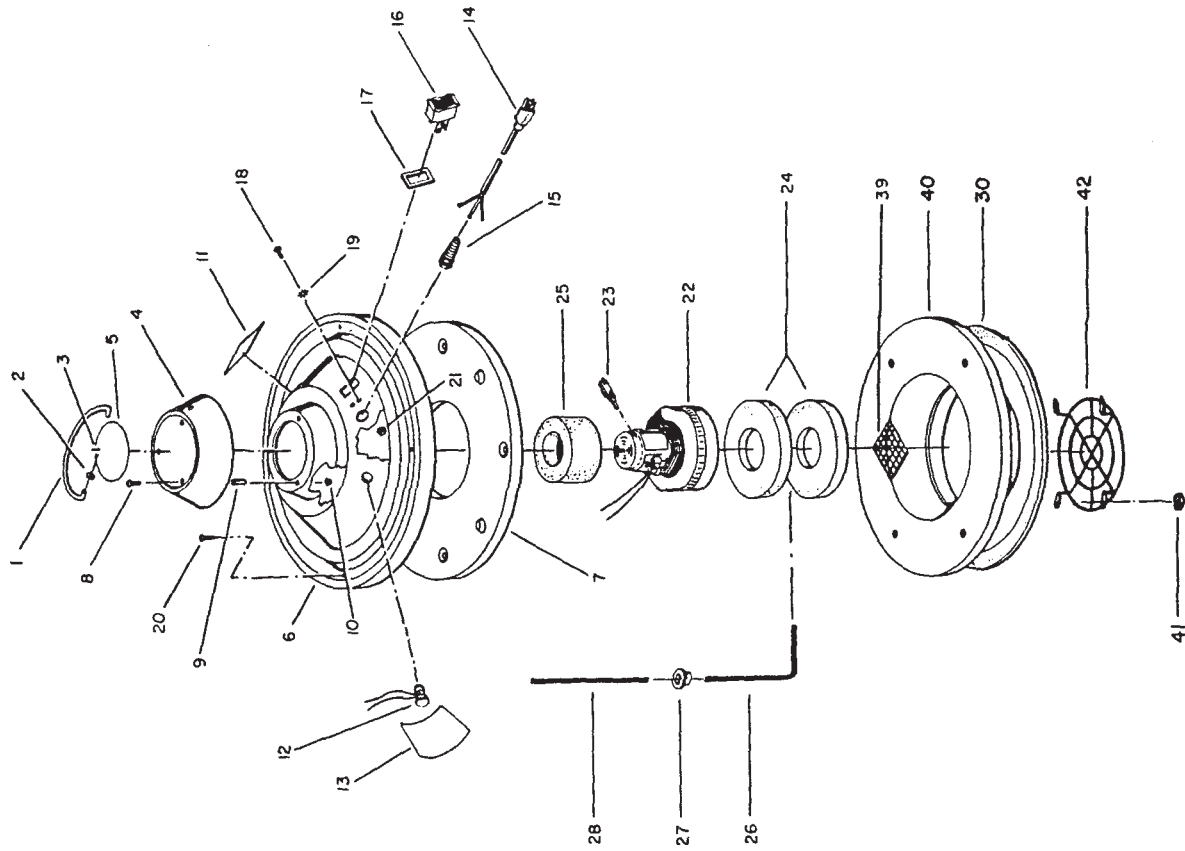
Always unplug the machine when removing the motor head off the tank. This equipment should be stored indoors and not exposed to rain.

Optional Industrial Tools and Accessories

A		800024 800022 800023 800175MCH 800176MCH 800025	3" Rd Dust Brush Complete 5" Rd Dust Brush Complete Bristle Insert 5" Dust Brush HSG 5" Dust Brush HSG 3" Bristle Insert 3"
B		800034	24" Crev Tool Aluminum Comp
C		800015	Wand Asy 1-1/2, Complete
D		800017 800064 800019	Set Tube, High-up 10' 5' Tube Lower Section 5' Section Upper
E		800116	Swivel, Hose End Exp, Comp
F		800317	Hose Asy 1-1/2 x 10'
G		800032 711006 800033 800193POL	6" Curved Pipe Tool, Comp Set Screw Bristle Insert Curved 6' 6" Curved Pipe Tool
H		800070 710356 710357 800187PTD 800217 800218	12" Gulper Tool, Comp SCR-MC 10-32 x .62 SCR-MC 10-32 x .75 Gulper Nozzle Fibre Shoe Rear Fibre Shoe Front
I		800108 710530 800003MCH 800178PTD	14" Fibre Tool Complete Screw 8/32 x 1/2 Brass Fibre Shod Tool Casting
J		800038 800029	6" Tool Squeegee, Complete Bristle Insert Replacement
K		800109 710330 800121 800178PTD 800239 800240	14" Squeegee, Comp SCR-SC 8-32 x .62 14" Retaining Strip Casting, Tool MCH Blade Squeegee Wide Blade Squeegee Narrow



Wet and Dry Pickup

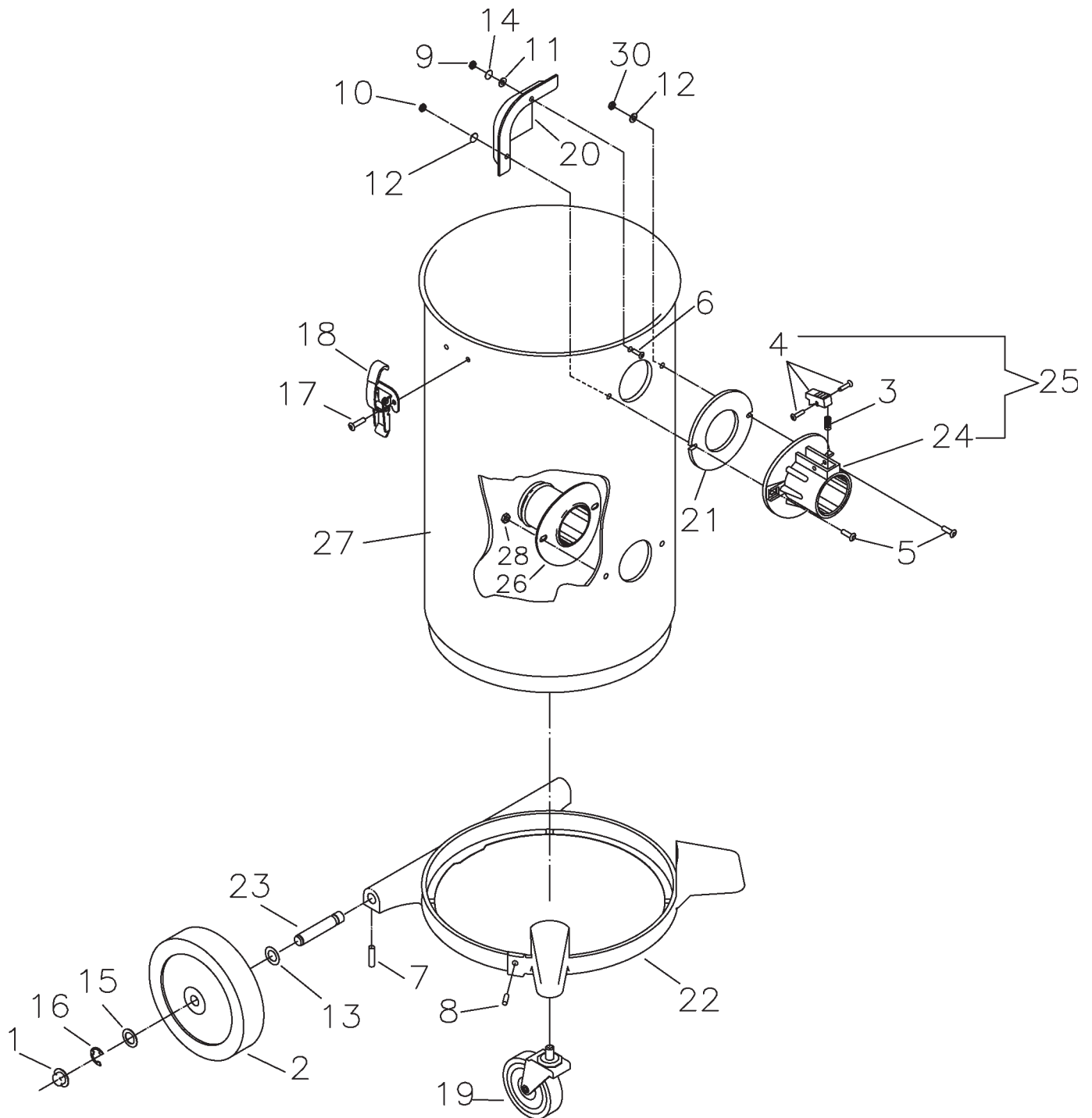


Dry Pickup Only

Lid Assembly BOM

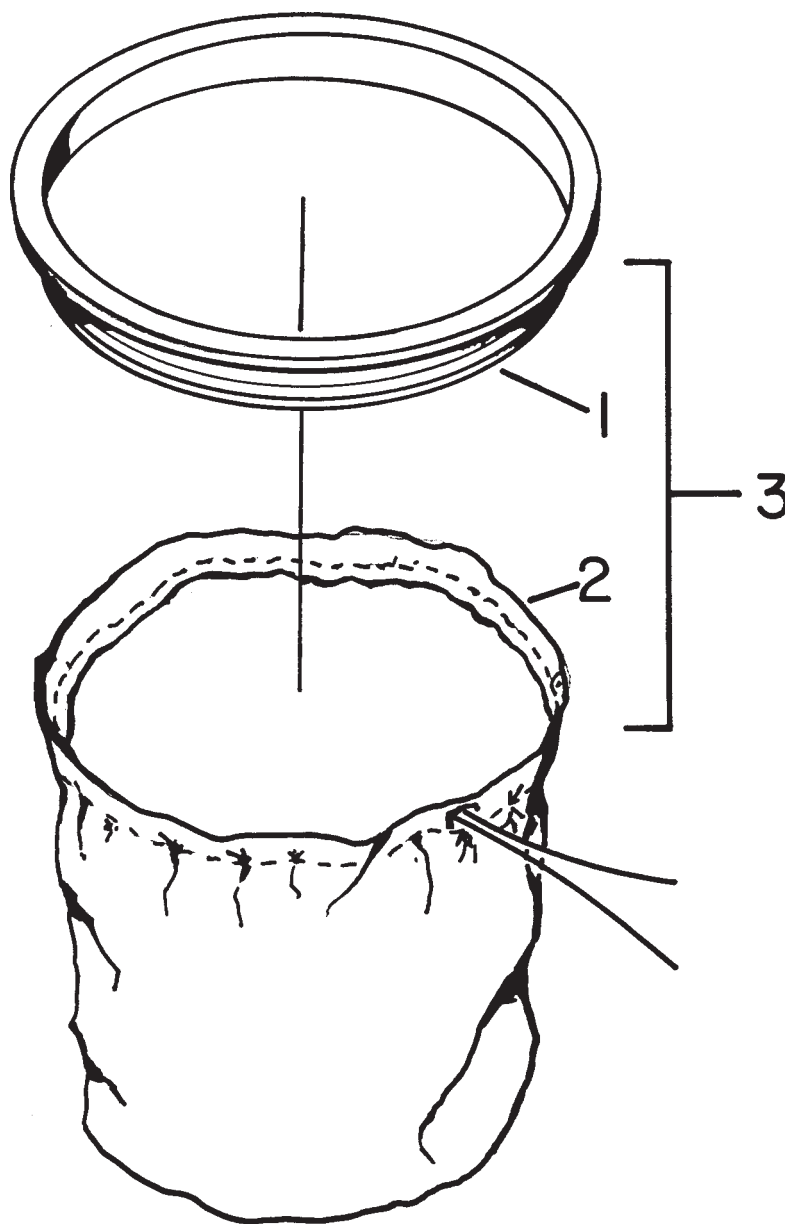
Item	Part No.	Qty.	Description
1	827743	1	Handle
2	711505	2	WSR-Flat 1/4
3	711803	2	Pin Cotter
4	831480	1	Motor Cap
5	715127	1	Decal Color Bar P85
6	760243PLT	1	Motor Lid Cover PV6 Plated
7	760242PLT	1	Motor Hold Down P85 PLT
8	712823	3	SCR-THMS 10-24 x 1.00 STPL
9	831652	3	Spacer
10	712908	3	Nut-Flanged Wizz 10-24
11	715086	1	Decal Warning PV Wet/Dry
11A	715115	1	Decal Warning PV Dry
12	740088	1	Vac Light Sensor SW 115V
13	715069	1	Decal Check Filters
14	381020	1	Orange Cord Set 16-3 50'
15	833237	1	Strain Relief
16	809754	1	Switch Rocker
17	831543	1	Gasket Switch
18	710355	2	SCR-MC 10-32 x .50 STPL
19	711553	2	WSR-Internal Lock #10
20	711126	4	SCR-ST-B 10 x .75
21	711310	2	Nut-Hex 10-32 STPL
22	380001-4	1	Vac Motor Bypass 85" 115V (ECM)
23	380005	2	Carbon Brush Replacement (ECM)
24	828995	2	Gasket, Neop. 2.5 x 6 x .62
25	380064	1	Ring, Foam
26	760213	1	Venturi Tube
27	760904	1	Snub Bushing K375 x 125
28	760212	1	Vac Sensor Tube
29	760241PLT	1	Motor Pan PV6 Plated
30	290031	1	Gasket Lid
31	831576	1	Decal Warning CK Screen
32	760240	1	Float Cage PV6
33	460117	1	Float Assembly 4/6 Gal.
34	712569	1	SCR-MC 1/4-20 x 1.50 SS
35	711506	1	WSR-Flat 5/16 STPL
36	712667	1	Nut-Hex 1/4-20 SS Nyloc
37	760901	1	Lint Trap
38	760479	1	Retainer Spring
39	807051	1	Screen SS 85/105
40	760248	1	Motor Tank Lid w/Studs
41	711373	4	Nut-Nyloc 1/4-20
42	384001PLT	1	Bag Guard New/Style
***	394115		Lid Assy. Comp. P85 Dry 115
***	396115		Lid Assy. Comp. P85 Wet/Dry 115

Tank Assembly



Tank Assembly BOM

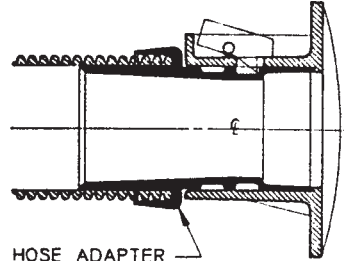
Item	Part No.	Qty.	Description
1	130032	2	Cap, Retainer
2	760083	2	Wheel-6" 6-105 .5 ID
3	390002	1	Spring-Return (390001)
4	390001	1	Molded Trigger W/ 2 Pins
5	712824	2	SCR-MC 10-24 X .75 Truss HD STL Zinc
6	710530	1	SCR-MC 8-32 X .50 BRS
7	711005	4	SK 1/4-20 X .31
8	711006	3	SK 1/4-20 X .62
9	711304	1	Nut-Hex 8-32 ST PL
10	711310	2	Nut Hex 10-32 ST PL
11	711502	1	WSR-Flat #8
12	711503	4	WSR-Flat #10
13	711524	2	WSR-Wave .52 X .87 X .01
14	711542	1	WSR-Helical #8
15	711594	2	WSR-FLT .56 X .88 X .03 Nickel
16	711713	2	Ret Ring-E EXT .50
17	711915	4	Rivet-Tube .19X.28 NI PL
18	761054	2	Latch
19	280016	2	Caster-3" W/ 3/8 X 5/8 Stem
20	900035	1	Deflector, Intake
21	390087	1	Gasket
22	900055PTD	1	Bracket, Wheel
23	900066	2	Axle
24	390101	1	Intake Aluminum
25	390110	1	Intake Assembly Aluminum
26	750118	1	Intake Assembly Tube 4/6 Gal
27A	900107	1	Tank,4 Gal SS High Intake
27B	900083	1	TANK 4 Gal PTD High Intake
27C	900109	1	TANK 4 Gal SS Low Intake
27D	900085	1	TANK 4 Gal PTD Low Intake
27E	900014	1	TANK 6 Gal SS High Intake
27F	900012	1	TANK 6 Gal PTD High Intake
28	712638	4	Nut Hex 10-24 SS Nyloc



Item	Part No.	Qty.	Description
1	760244	1	Molded Bag Ring
2	805043	1	Cloth Filter 4 Gallon
2a	805040	1	Cloth Filter 6 Gallon
3	805044	1	Bag Asy Complete 4 Gallon
3a	805041	1	Bag Asy Complete 6 Gallon

HOSE ASSEMBLY COMPLETE

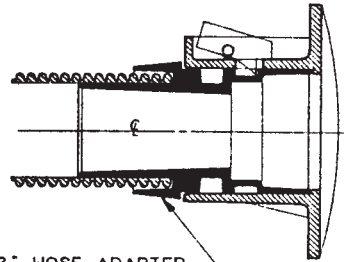
- 800322 2" X 10' CRUSH PROOF
- 800323 2" X 15' CRUSH PROOF
- 800324 2" X 25' CRUSH PROOF



390019 - 2" HOSE ADAPTER

HOSE ASSEMBLY COMPLETE

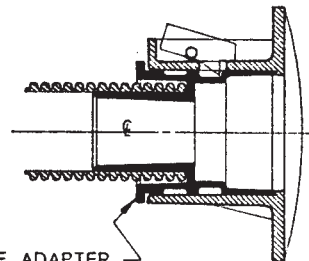
- 800317 1-1/2" X 10' CRUSH PROOF
- 800318 1-1/2" X 15' CRUSH PROOF
- 800319 1-1/2" X 25' CRUSH PROOF
- 800320 1-1/2" X 10' NEOPRENE
- 800321 1-1/2" X 15' NEOPRENE
- 800325 1-1/2" X 25' NEOPRENE



390014 - 1-1/2" HOSE ADAPTER

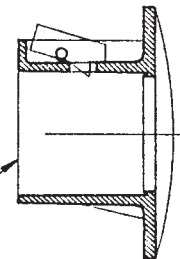
HOSE ASSEMBLY COMPLETE

- 800326 1-1/4" X 10' CRUSH PROOF



390013 - 1-1/4" HOSE ADAPTER

390110 ALUMINUM
INTAKE COMPLETE
WITH PINS



Minuteman International Made Simple Commercial Limited Warranty

Minuteman International, Inc. warrants to the original purchaser/user that the product is free from defects in workmanship and materials under normal use. Minuteman will, at its option, repair or replace without charge, parts that fail under normal use and service when operated and maintained in accordance with the applicable operation and instruction manuals. All warranty claims must be submitted through and approved by factory authorized repair stations.

This warranty does not apply to normal wear, or to items whose life is dependent on their use and care, such as belts, cords, switches, hoses, rubber parts, electrical motor components or adjustments. Parts not manufactured by Minuteman are covered by and subject to the warranties and/or guarantees of their manufacturers. Please contact Minuteman for procedures in warranty claims against these manufacturers.

Special warning to purchaser -- Use of replacement filters and/or prefilters not manufactured by Minuteman or its designated licensees, will void all warranties expressed or implied. A potential health hazard exists without original equipment replacement.

All warranted items become the sole property of Minuteman or its original manufacturer, whichever the case may be.

Minuteman disclaims any implied warranty, including the warranty of merchantability and the warranty of fitness for a particular purpose. Minuteman assumes no responsibility for any special, incidental or consequential damages.

This limited warranty is applicable only in the U.S.A. and Canada, and is extended only to the original user/purchaser of this product. Customers outside the U.S.A. and Canada should contact their local distributor for export warranty policies. Minuteman is not responsible for costs or repairs performed by persons other than those specifically authorized by Minuteman. This warranty does not apply to damage from transportation, alterations by unauthorized persons, misuse or abuse of the equipment, use of non-compatible chemicals, or damage to property, or loss of income due to malfunctions of the product.

If a difficulty develops with this machine, you should contact the dealer from whom it was purchased.

This warranty gives you specific legal rights, and you may have other rights which vary from state to state. Some states do not allow the exclusion or limitation of special, incidental or consequential damages, or limitations on how long an implied warranty lasts, so the above exclusions and limitations may not apply to you.

Cord Electric Group..... Three years parts, two years labor, ninety days travel (Not to exceed two hours)
Exceptions..... Port-A-Scrub, one year parts, six months labor
MPV 13, one year parts
MPV 14 and 18, two years parts, one year labor
RapidAir blower, one year parts, one year labor
Explosion-Proof Vacuum, one year parts, one year labor
Pneumatic Vacuums, three years parts, one year labor
EX 12 and EX12H, one year parts, one year labor

Battery Operated Group..... Three years parts, two years labor, ninety days travel
(Not to exceed two hours)
Exceptions..... Sweepers, one year parts, one year labor, ninety days travel
(Not to exceed two hours)

Internal Combustion Group....One year parts, one year labor, ninety day travel
(Not to exceed two hours)

Replacement Parts.....Ninety days
Batteries.....0-3 months replacement, 4-12 months pro-rate
Polypropylene Plastic Tanks...Ten years, no additional labor