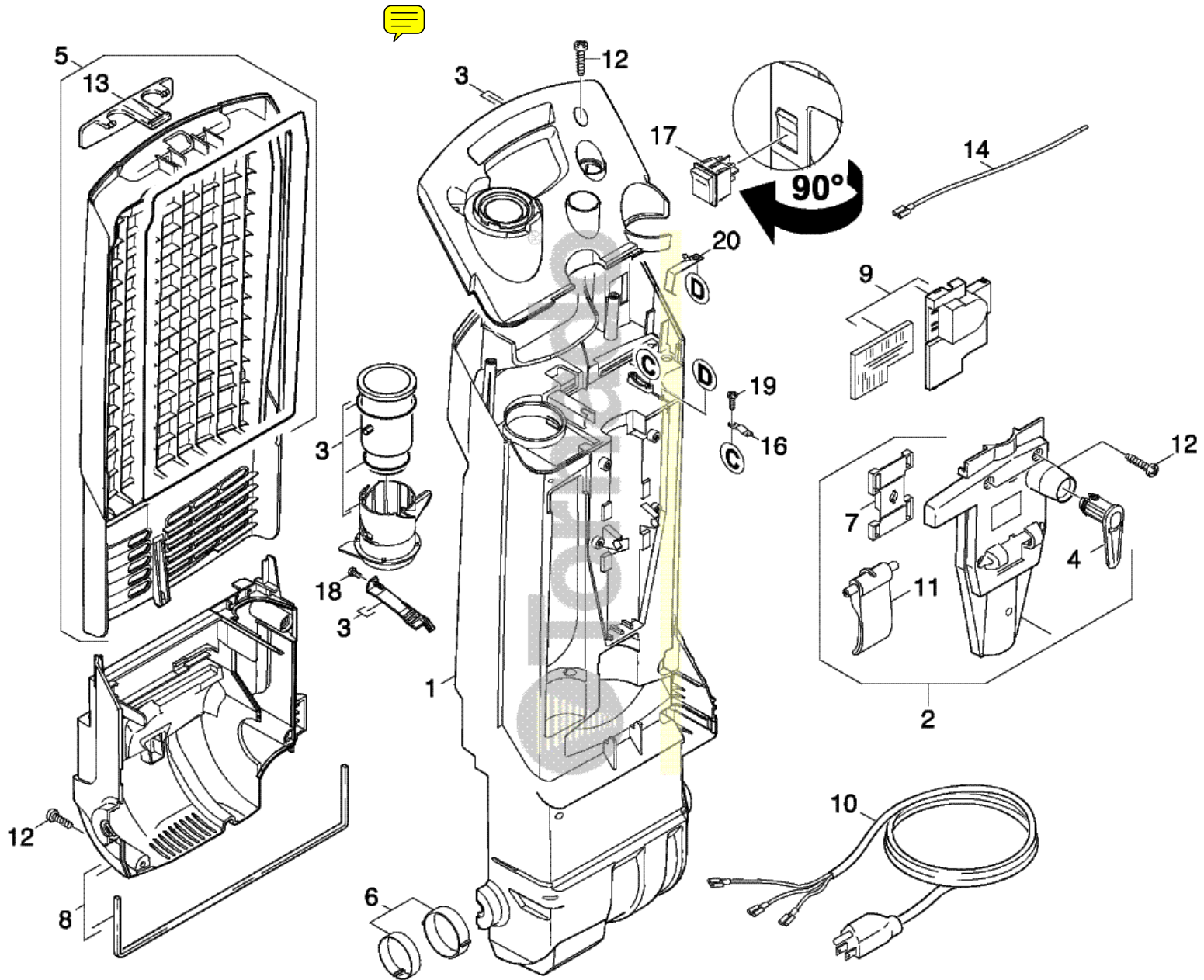
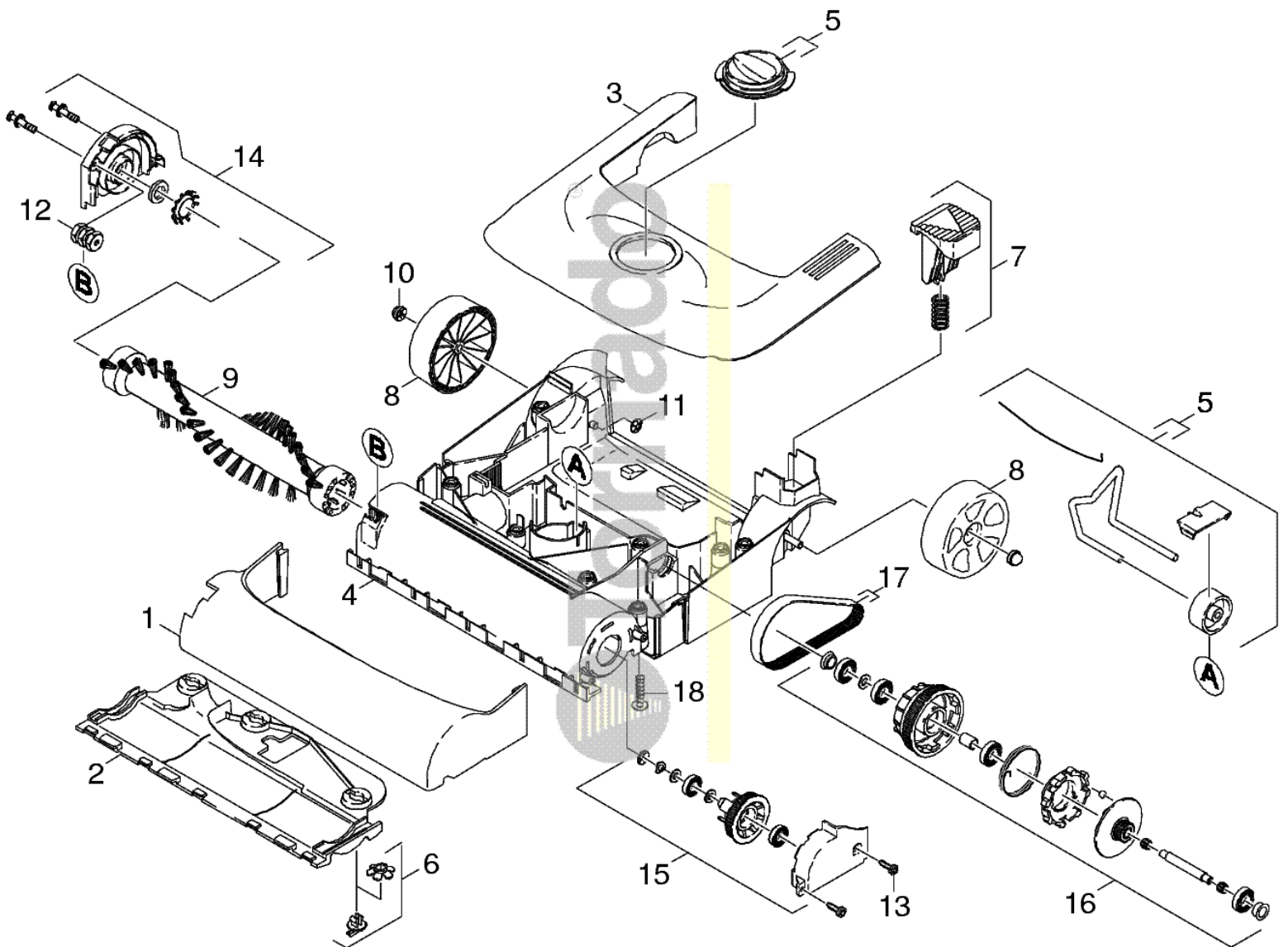


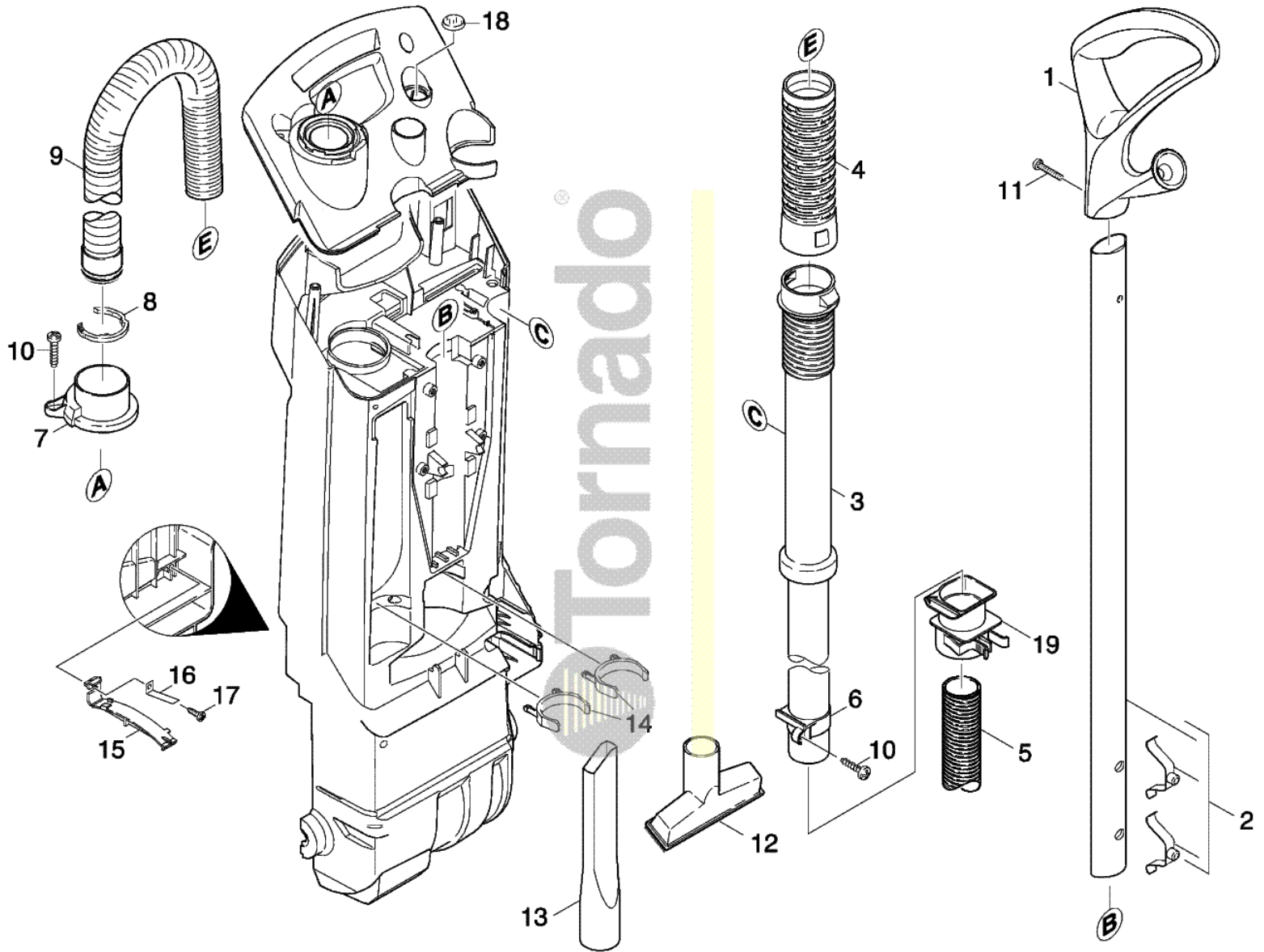
No.	Number	Qty	Description
1	K57316110	1	FILTER MOTOR PROTECTION
2	K57316140	1	FILTER FRAME GREY
3	K64147600	1	HEPA EXHAUST AIR FILTER
4	K64147610	1	EXHAUST AIR (3 PACK) FILTER-FILTER FOAM
5	K69042940	1	PAPER FILTER BAG 10-PK
6	K69066420	1	ROLLER BRUSH RED CV 30/1 HARD FOR FELT
7	K69043050	1	FLEECE FILTER BAG 10-PK
8	K69043010	1	FABRIC FILTER BAG 1 PIECE
9	K69066440	1	ROLLER BRUSH RED CV 38/1 HARD FOR FELT



No.	Number	Qty	Description
1	K50609910	1	HOUSING
2	K40320030	1	COVER CPL
3	K40320040	1	COVER ELECTRIC
4	K50446610	1	CABLE HOOK
5	K40640030	1	COVER
6	K42500790	1	BEARING SHELL
7	K50324480	1	CLAMP
8	K40532240	1	MOTOR COVER CPL
9	K46820010	1	CIRCUIT BOARD
10	K46490010	1	ELECTRIC CORD 40' CV 30
11	K54813450	1	LEVER
12	K73031080	9	SCREW 5 X 20
13	K50750300	1	LID LOCK
14	K48393290	1	E-PARTS
16	K69032410	1	CLAMP CLIP
17	K66301560	1	ROCKER SWITCH
18	K73031060	1	SCREW 4 X 12
19	<a href="#">K73030930</a>	2	<a href="#">SCREW 3.5 X 12</a>
20	K50346890	1	GROUNDING STRAP

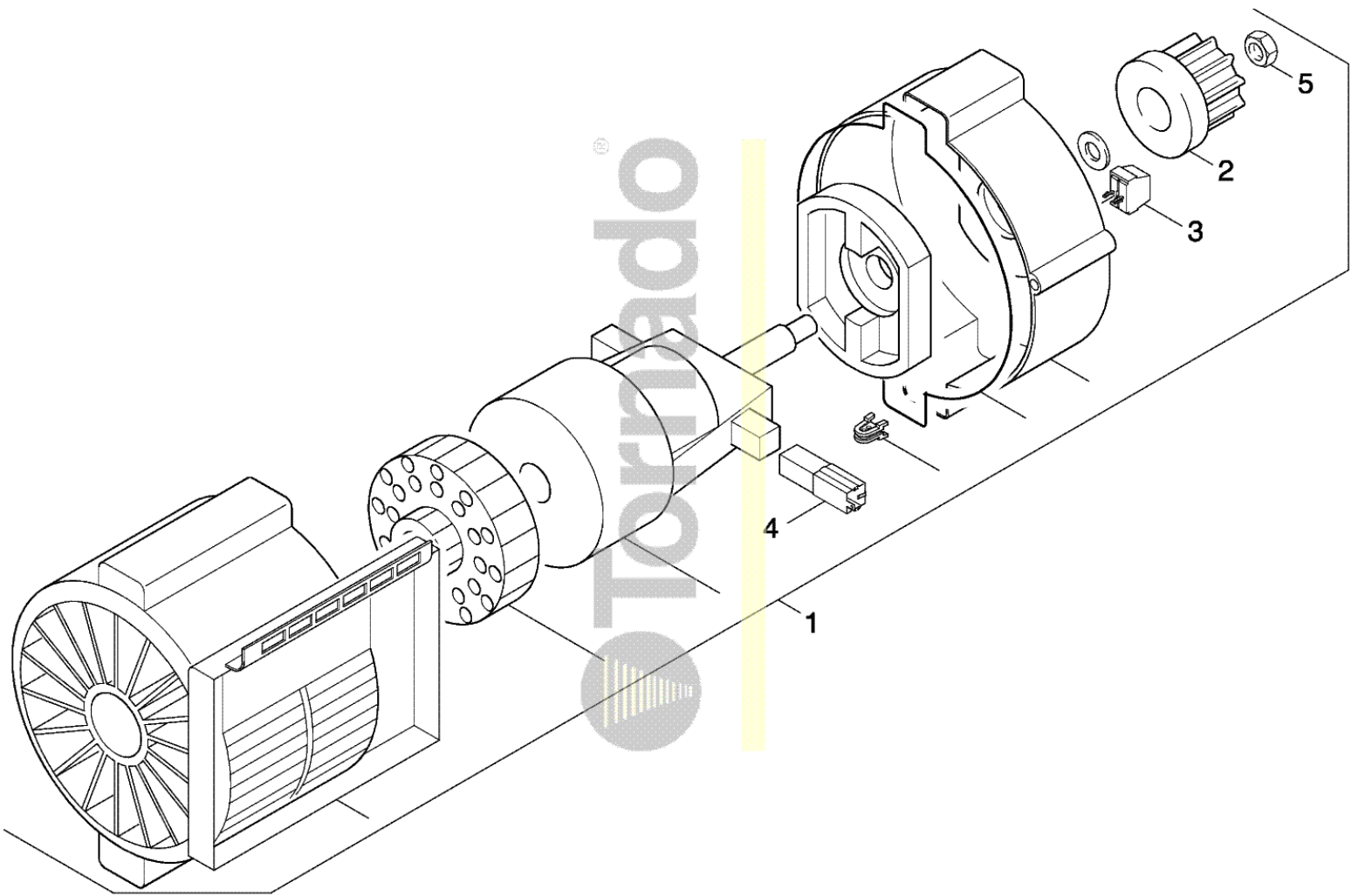


No.	Number	Qty	Description
1	K50324040	1	SHOCK ABSORBER
2	K50582860	1	GLIDE SOLE
3	K50610390	1	TOP COVER
4	<a href="#">K50609790</a>	1	<a href="#">USE #K40606970HOUSING COMPLETE CV 30/1</a>
5	K45150960	1	ADJUSTING WHEEL CPL
6	K28842730	1	LOCK PIECE KIT
7	K44810000	1	FOOT LEAVER CPL
8	K55151880	2	WHEEL
9	K69066410	1	ROLLER BRUSH BLK CV 30/1 SOFT STANDARD
10	K63431870	2	LOCK WASHER
11	K63431190	2	LOCK WASHER
12	K54012880	2	SCREW UNION PART
13	K73031060	2	SCREW 4 X 12
14	K40637730	1	COVERING CAP
15	K40637740	1	COVER CPL
16	K44700220	1	COUPLING CLUTCH CV 3X
17	K28842740	1	BELT FRONT & BACK
18	K73031080	8	SCREW 5 X 20

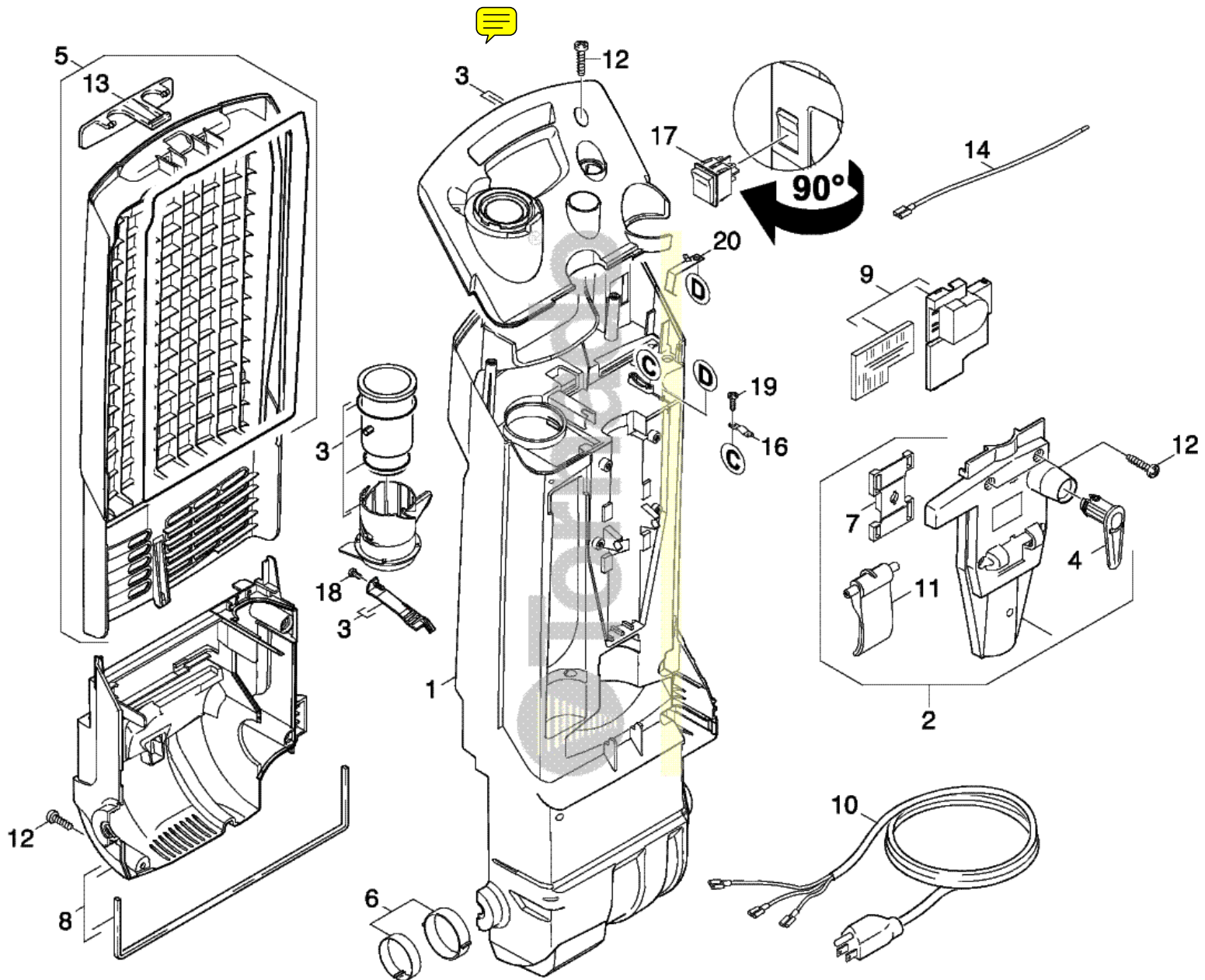


No.	Number	Qty	Description
1	K53217130	1	HANDLE
2	K41280010	1	HANDLE CPL
3	K51285680	1	WAND REPLACED BY 51290460
4	K53946800	1	PROT. RUBBER SLEEVE
5	K63911150	1	SUCTION HOSE DN 32
6	K55700750	1	RING SUCTION TUBE
7	K50325400	1	CONNECTION PIECE
8	K50310110	1	RETAINING SPRING
9	K63911710	1	SUCTION HOSE DN 32
10	K73031080	2	SCREW 5 X 20
11	K73031180	1	SCREW 5X40 -A2-70 (IN6RD
12	K69002330	1	UPHOLSTERY NOZZLE
13	K69062400	1	CREVICE TOOL DN35
14	K50411110	2	CLIP ACCESSORIES
15	K50428360	1	BRACKET FILTER
16	K53323390	1	SPRING
17	K73031060	1	SCREW 4 X 12
18	K50315210	1	LENS
19	K54071150	1	BUSHING

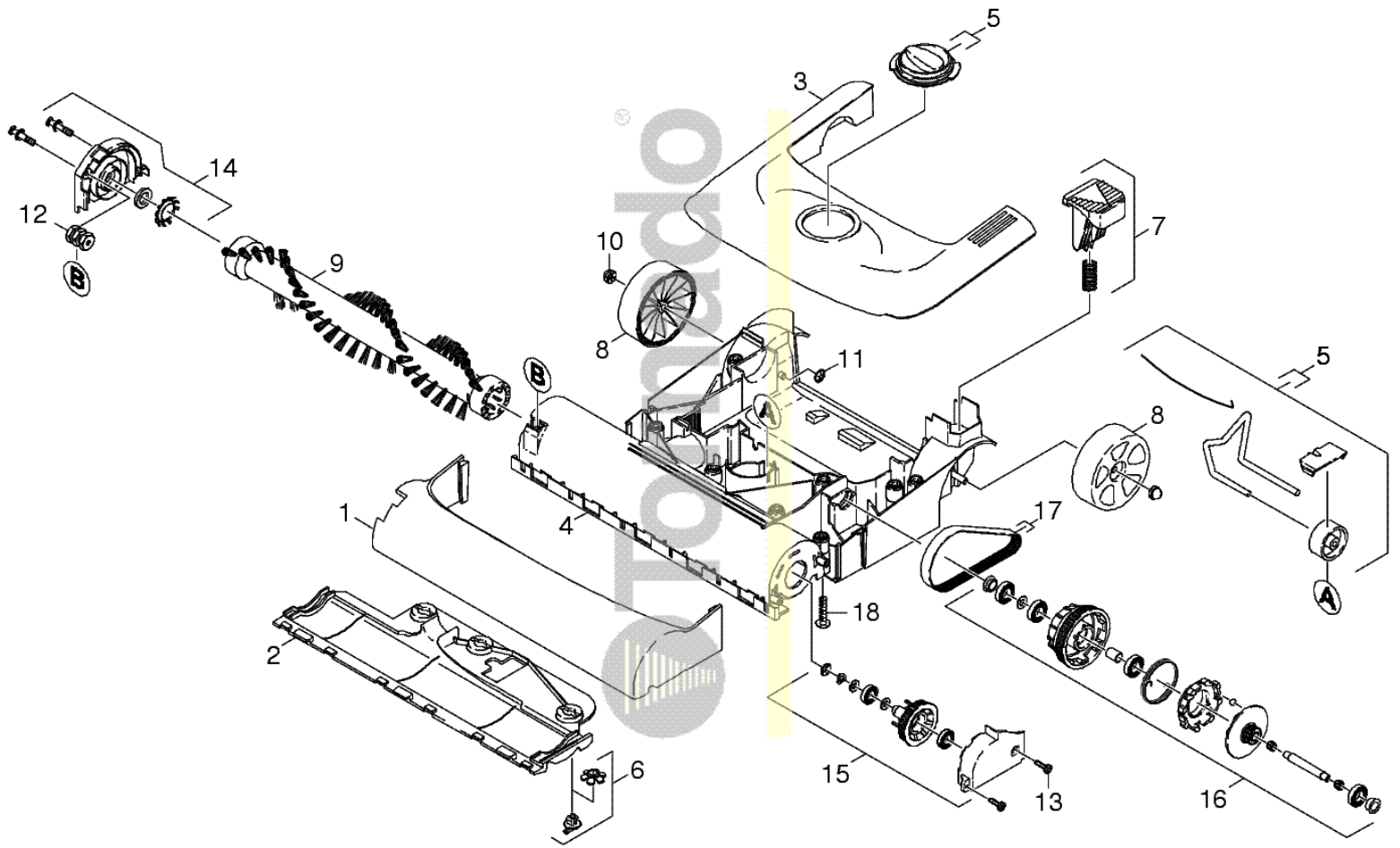




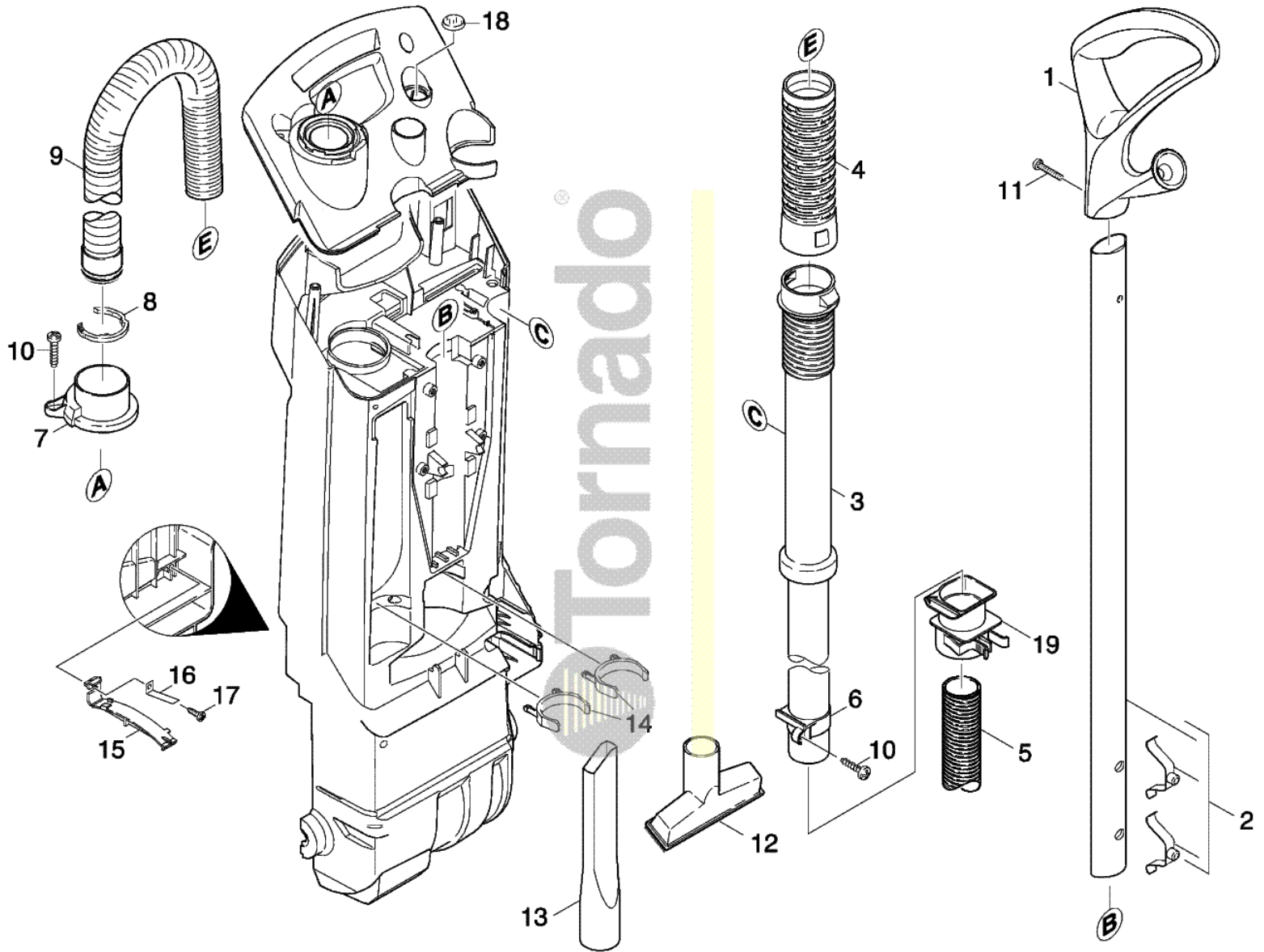
No.	Number	Qty	Description
1	<a href="#">K40605700</a>	1	<a href="#">USE #K40605910MOTOR FRAME CPL</a>
2	K53520850	1	PINION
3	K66435510	1	STRIP TERMINAL
4	K66102490	1	CARBON BRUSH SET
5	K73114310	1	HEX NUT



No.	Number	Qty	Description
1	K50609910	1	HOUSING
2	K40320030	1	COVER CPL
3	K40320040	1	COVER ELECTRIC
4	K50446610	1	CABLE HOOK
5	K40640030	1	COVER
6	K42500790	1	BEARING SHELL
7	K50324480	1	CLAMP
8	K40532240	1	MOTOR COVER CPL
9	K46820010	1	CIRCUIT BOARD
10	K46490010	1	ELECTRIC CORD 40' CV 30
11	K54813450	1	LEVER
12	K73031080	9	SCREW 5 X 20
13	K50750300	1	LID LOCK
14	K48393290	1	E-PARTS
16	K69032410	1	CLAMP CLIP
17	K66301560	1	ROCKER SWITCH
18	K73031060	1	SCREW 4 X 12
19	<a href="#">K73030930</a>	2	<a href="#">SCREW 3.5 X 12</a>
20	K50346890	1	GROUNDING STRAP

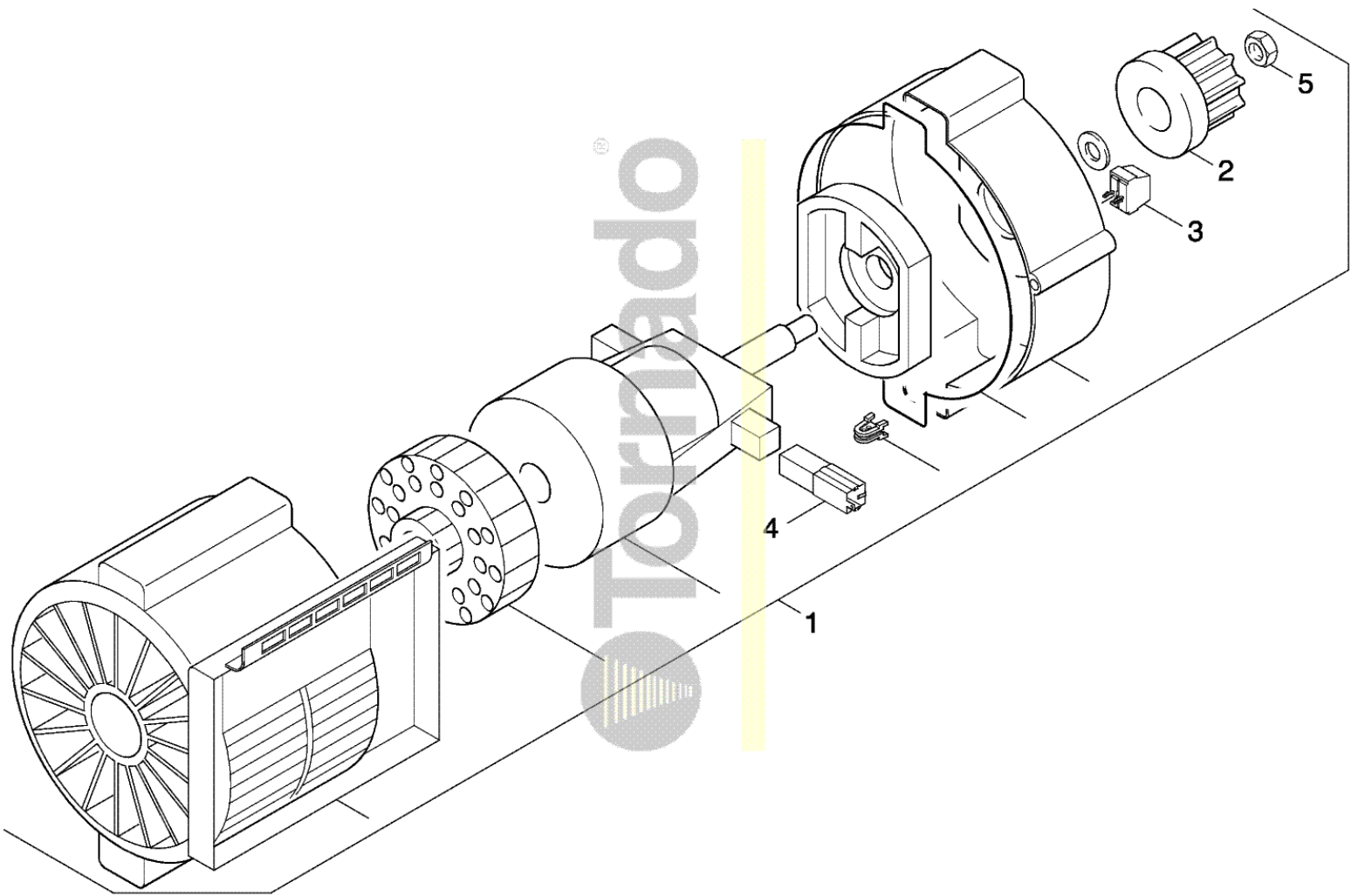


No.	Number	Qty	Description
1	K50324560	1	SHOCK ABSORBER
2	K50585000	1	GLIDE SOLE
3	K50610430	1	TOP OF COVER-YELLOW
4	<a href="#">K50609930</a>	1	<a href="#">USE #K40606980</a>
5	K45150960	1	ADJUSTING WHEEL CPL
6	K28842730	1	LOCK PIECE KIT
7	K44810000	1	FOOT LEAVER CPL
8	K55151880	2	WHEEL
9	K69066430	1	ROLLER BRUSH BLK CV 38/1 SOFT STANDARD
10	K63431870	2	LOCK WASHER
11	K63431190	2	LOCK WASHER
12	K54012880	2	SCREW UNION PART
13	K73031060	2	SCREW 4 X 12
14	K40637730	1	COVERING CAP
15	K40637740	1	COVER CPL
16	K44700220	1	COUPLING CLUTCH CV 3X
17	K28842740	1	BELT FRONT & BACK
18	K73031080	8	SCREW 5 X 20



No.	Number	Qty	Description
1	K53217130	1	HANDLE
2	K41280010	1	HANDLE CPL
3	K51285680	1	WAND REPLACED BY 51290460
4	K53946800	1	PROT. RUBBER SLEEVE
5	K63911150	1	SUCTION HOSE DN 32
6	K55700750	1	RING SUCTION TUBE
7	K50325400	1	CONNECTION PIECE
8	K50310110	1	RETAINING SPRING
9	K63911710	1	SUCTION HOSE DN 32
10	K73031080	2	SCREW 5 X 20
11	K73031180	1	SCREW 5X40 -A2-70 (IN6RD
12	K69002330	1	UPHOLSTERY NOZZLE
13	K69062400	1	CREVICE TOOL DN35
14	K50411110	2	CLIP ACCESSORIES
15	K50428360	1	BRACKET FILTER
16	K53323390	1	SPRING
17	K73031060	1	SCREW 4 X 12
18	K50315210	1	LENS
19	K54071150	1	BUSHING





No.	Number	Qty	Description
1	<a href="#">K40605700</a>	1	<a href="#">USE #K40605910MOTOR FRAME CPL</a>
2	K53520850	1	PINION
3	K66435510	1	STRIP TERMINAL
4	K66102490	1	CARBON BRUSH SET
5	K73114310	1	HEX NUT