**DESCRIPTION****PLAN**

Battery and battery parts

B - 4.9.3 - 2

Motor and motor parts

B - 4.9.3 - 4

Container - upper parts

B - 4.9.3 - 6

Container - lower parts

B - 4.9.3 - 8

Exhaust filters

B - 4.9.3 - 10

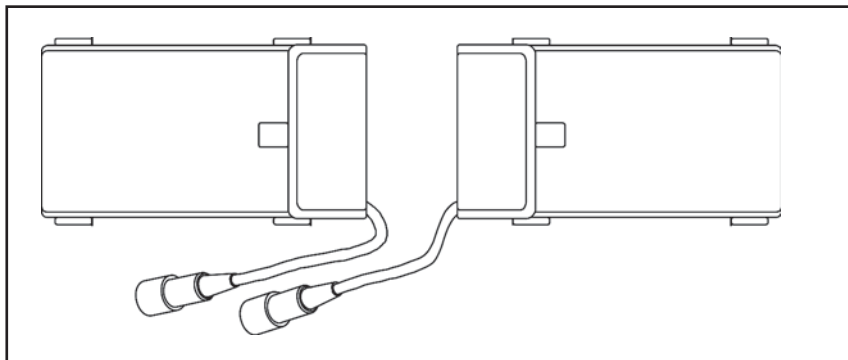
Nozzles

B - 4.9.3 - 12

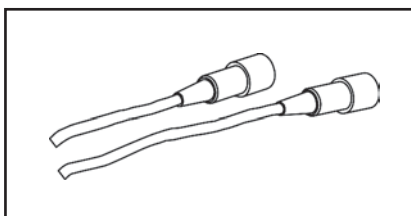
Tube, hose and dust bag

B - 4.9.3 - 14

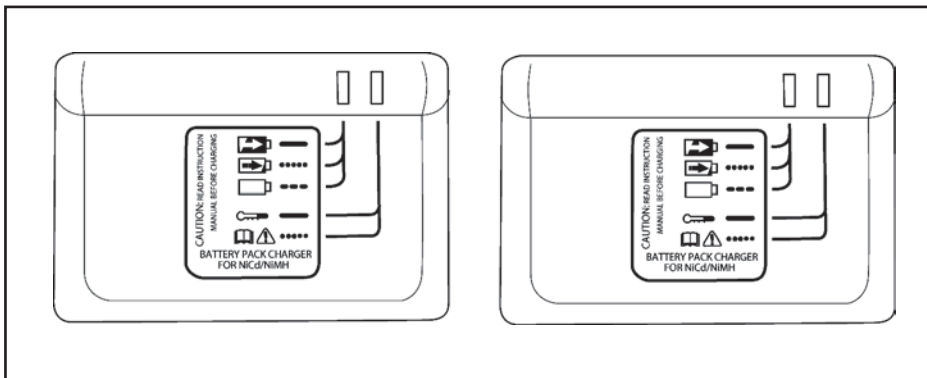
1



3



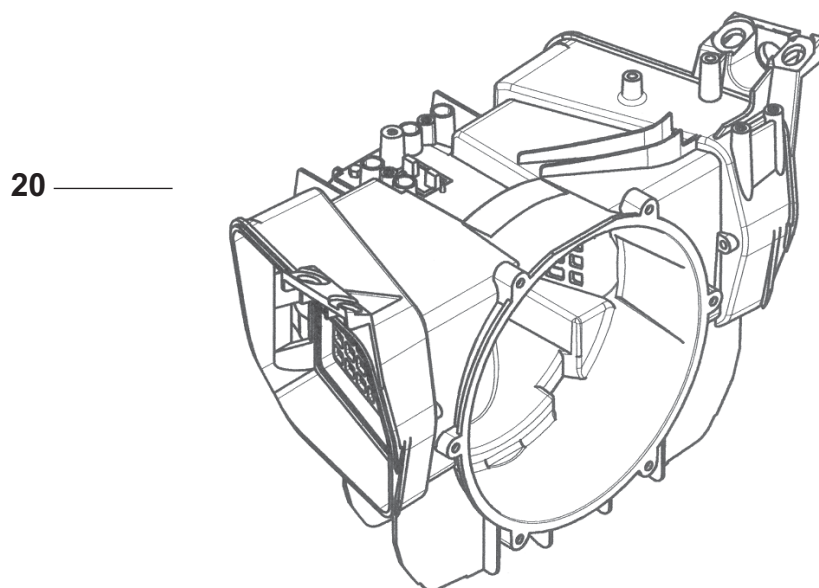
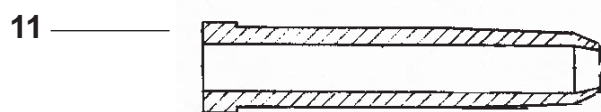
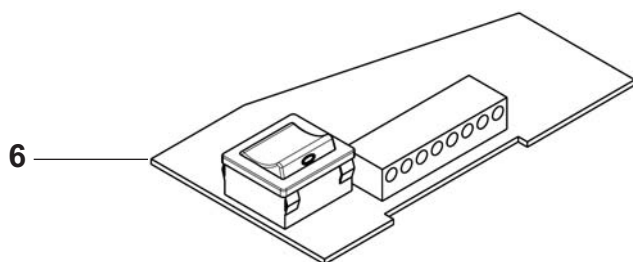
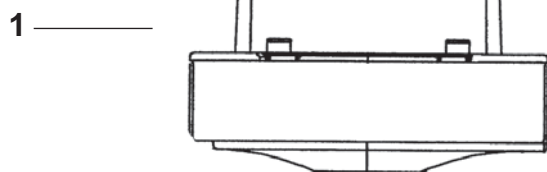
5



<b>04-06</b>	<b>BACKUUM BATTERY / Acro-Batt</b>	<b>BOOK B</b>		
<b>05-05</b>	<b>BATTERY AND BATTERY PARTS</b>	<b>B</b>	<b>4.9.3</b>	<b>3</b>

<b>Item</b>	<b>Part No.</b>	<b>Qty.</b>	<b>Description</b>	<b>Note</b>	<b>EAN code</b>
1	147 0305 500	1	Battery pack set	2 battery packs in left and right pouch	7319519641448
3	147 0308 500	1	Battery wire set	Wire and connector attached to the machine, left and right	7319519641431
5	147 0302 010	1	Charger NiMH, 60V/4A	EU-plug	7319519638394
5	147 0302 020	1	Charger NiMH, 60V/4A	UK-plug	7319519638387
5	147 0302 030	1	Charger NiMH, 60V/4A	US-plug	7319519638370
5	>>147 0302 040	1	Charger NiMH, 60V/4A	JP-plug	7319519650198

>>Means: New or changed ref. number or/and changed/new specifications.



<b>04-06</b>	<b>BACKUUM BATTERY / Acro-Batt</b>	<b>BOOK B</b>		
<b>05-05</b>	<b>MOTOR AND MOTOR PARTS</b>	<b>B</b>	<b>4.9.3</b>	<b>5</b>

<b>Item</b>	<b>Part No.</b>	<b>Qty.</b>	<b>Description</b>	<b>Note</b>	<b>EAN code</b>
1	147 0301 500	1	Motor/fan unit kit	Fan unit, rubber gasket, rubber suspension, motor bracket, and internal wires	7319519641462
6	147 0303 500	1	PCB Motor control	PCB - printed circuit board	7319519642223
11	140 0467 510	1	Protection sleeve kit		7319519632101
20	>>147 0351 000	1	Motor housing		7319519636574

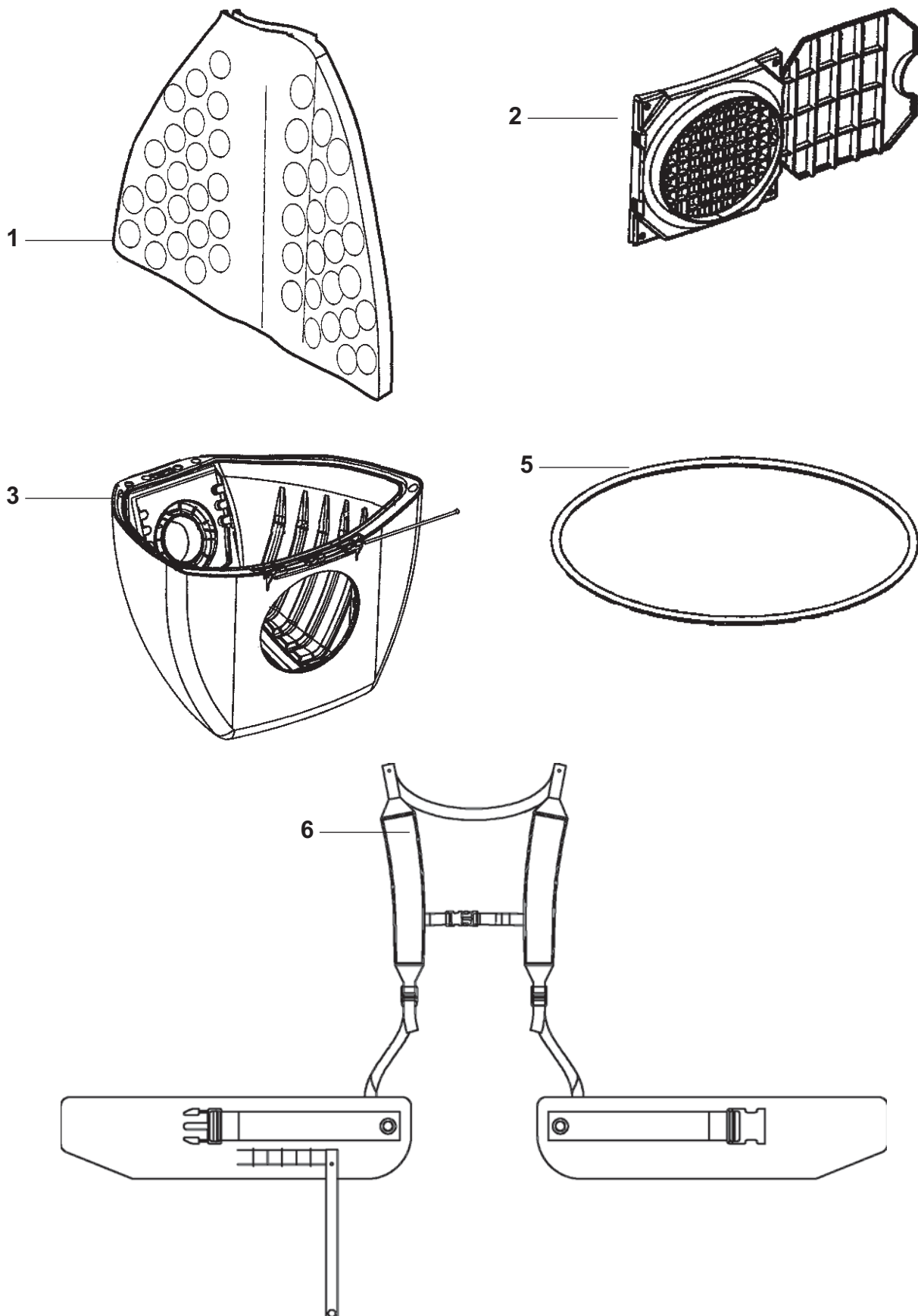
>>Means: New or changed ref. number or/and changed/new specifications.

6

4.9.3

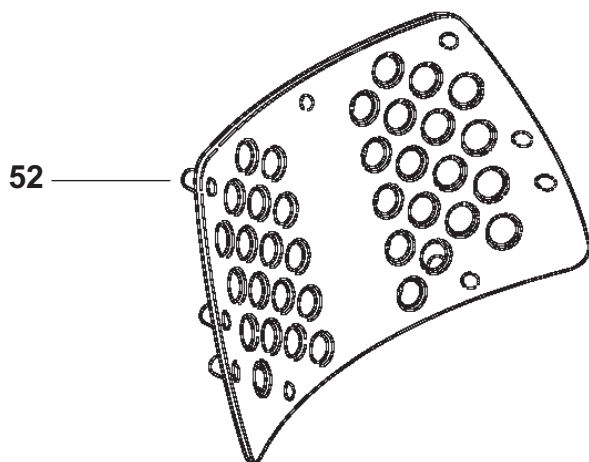
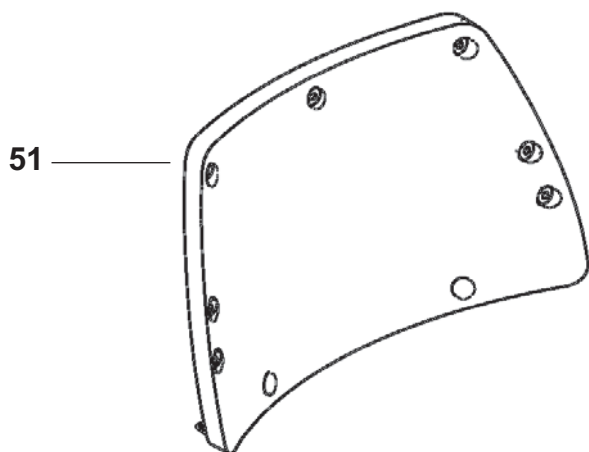
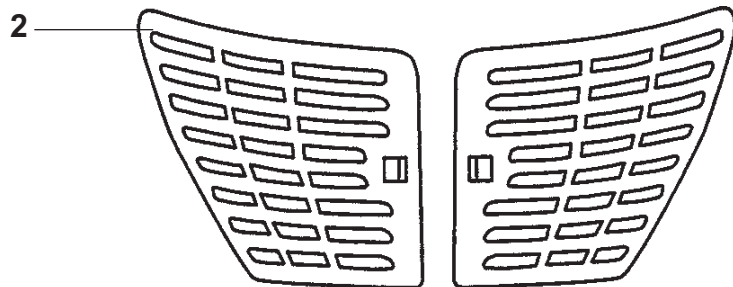
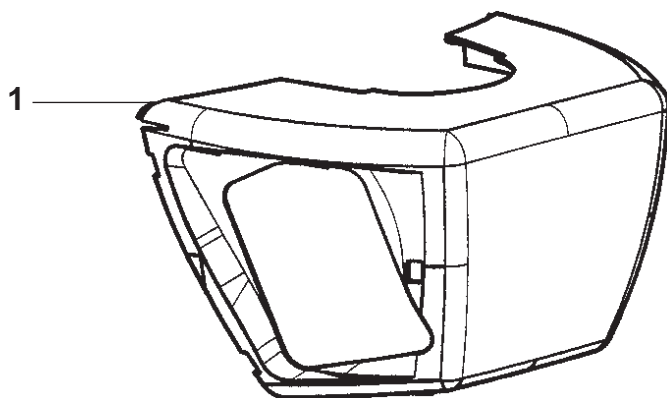
B

CONTAINER - UPPER PARTS



04-06	BACKUUM BATTERY / Acro-Batt	<b>BOOK B</b>		
	CONTAINER - UPPER PARTS	<b>B</b>	<b>4.9.3</b>	<b>7</b>

Item	Part No.	Qty.	Description	Note	EAN code
1	22197300	1	Dust chamber lid	Colour: grey	5715492006694
2	22199100	1	Frame for main filter		5715492006755
3	140 8063 510	1	Dust chamber		7319519632026
5	62152700	1	Gasket for dust chamber		7319519494006
6	147 0315 500	1	Belt and straps	Mat.: Polyprop.	7319519641424

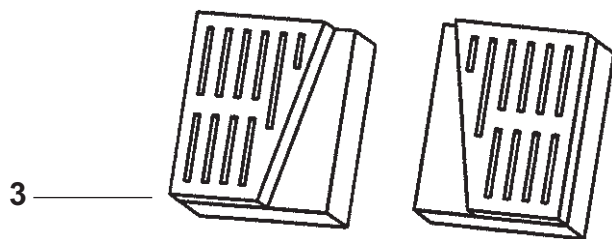
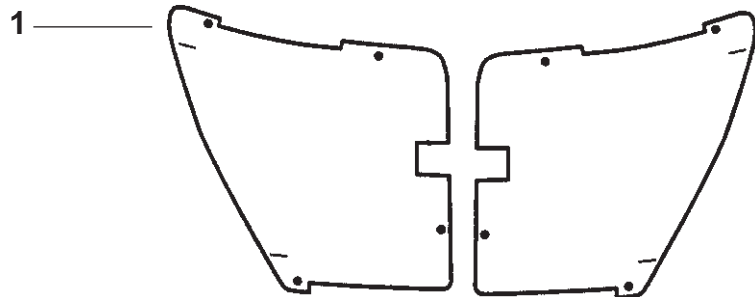
**8****4.9.3****B****CONTAINER - LOWER PARTS**



<b>04-06</b>	<b>BACKUUM BATTERY / Acro-Batt</b>	<b>BOOK B</b>		
<b>05-05</b>	<b>CONTAINER - LOWER PARTS</b>	<b>B</b>	<b>4.9.3</b>	<b>9</b>

<b>Item</b>	<b>Part No.</b>	<b>Qty.</b>	<b>Description</b>	<b>Note</b>	<b>EAN code</b>
1	>>140 8031 000	1	Motor housing cover	Colour: Grey	7319519609271
1	>>140 8031 020	1	Motor housing cover, UL	Colour: Grey	7319519609271
2	>>22197500	1	Grid	2 pcs in package	5715492006700
51	>>140 8032 000	1	Back plate	Colour: Grey	7319519609288
51	>>140 8032 020	1	Back plate, UL	Colour: Grey	7319519648867
52	>>140 7949 000	1	Distance plate	Colour: Grey	7319519608137

>>Means: New or changed ref. number or/and changed/new specifications.

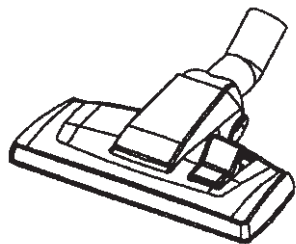
**10****4.9.3****B****EXHAUST FILTERS**

04-06	BACKUUM BATTERY / Acro-Batt	<b>BOOK B</b>		
	EXHAUST FILTERS	<b>B</b>	<b>4.9.3</b>	<b>11</b>

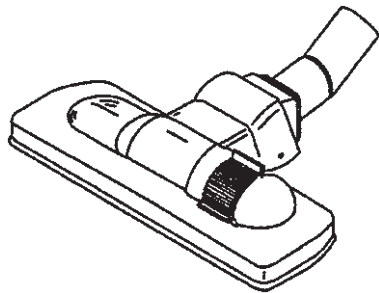
Item	Part No.	Qty.	Description	Note	EAN code
1	140 8038 500	1	Exhaust diffuser filters	2 filters in package	7319519632033
3	22244400	1	Sound suppressors		5715492008674

**12****4.9.3****B****NOZZLES Ø 32 mm**

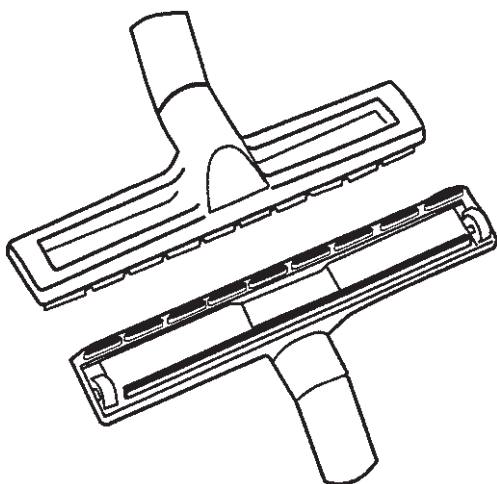
1



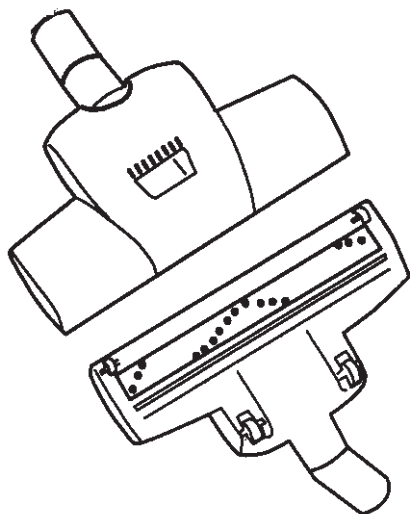
2



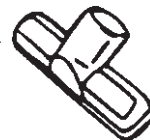
3



4



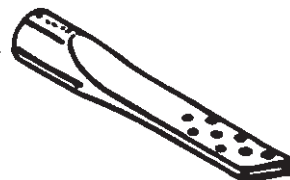
10



11



12



14



<b>04-06</b>	<b>BACKUUM BATTERY / Acro-Batt</b>	<b>BOOK B</b>		
<b>04-09</b>	<b>NOZZLES Ø 32 mm</b>	<b>B</b>	<b>4.9.3</b>	<b>13</b>

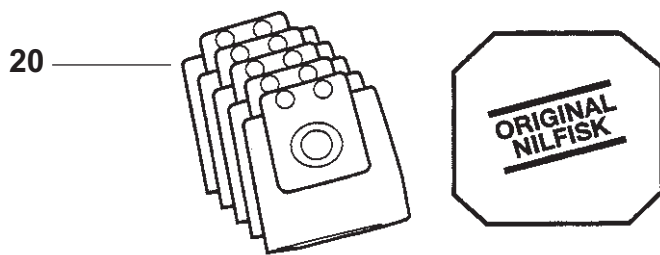
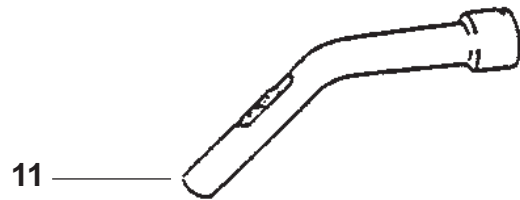
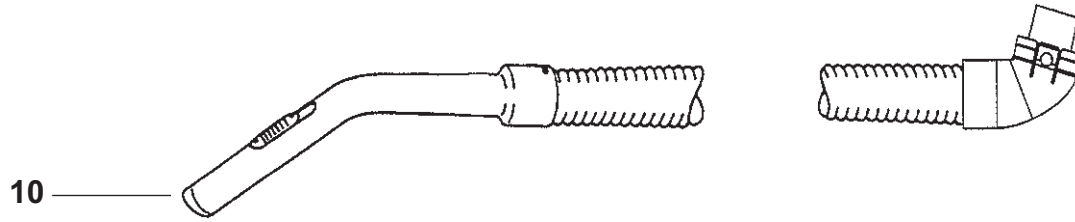
<b>Item</b>	<b>Part No.</b>	<b>Qty.</b>	<b>Description</b>	<b>Note</b>	<b>EAN code</b>
1	140 8492 510	1	Floor nozzle, combi de luxe		7319519629361
2	12018501	1	Floor nozzle, combi de luxe	Colour: grey	5715492003389
2	>>12018503	1	Floor nozzle, US combi floor tool	Colour: grey	7319519632217
3	22351400	1	Hard floor nozzle, wheel with stationary brush 3032		5715492010998
4	22360000	1	Turbo nozzle, wheeled		5715492010882
10	32043700	1	Upholstery nozzle	Width: 130 mm	5715492002658
11	11276901	1	Brush nozzle	Width: 70 mm	7319519494433
12	81530400	1	Crevice nozzle	Width: 245 mm	7319519604320
14	81140900	1	Flexible nozzle	Length: 150 mm	5715492001026

**14**

**4.9.3**

**B**

**TUBE, HOSE AND DUST BAG**



<b>04-06</b>	<b>BACKUUM BATTERY / Acro-Batt</b>	<b>BOOK B</b>		
	<b>TUBE, HOSE AND DUST BAG</b>	<b>B</b>	<b>4.9.3</b>	<b>15</b>

<b>Item</b>	<b>Part No.</b>	<b>Qty.</b>	<b>Description</b>	<b>Note</b>	<b>EAN code</b>
1	11112401	1	Extension tube	Length: 560 mm Steel	5715492003419
1	11182500	1	Tube, standard	Length: 200 mm Steel	5715492012077
1	11262400	1	Tube (light weight for overhead cleaning)	Length: 1000 mm Aluminium	
2	81906500	1	Tube, telescopic	Length: max. 1130 mm Steel	5715492011872
10	22199500	1	Hose, with coupling and bent end	Length: 1150 mm	5715492006762
11	21640505	1	Bent end	Length: 320 mm Plastic	7319519620443
12	22351000		Valve for bent tube	Plastic	5715492010950
20	22198000	1	Dust bags and prefilter	5 dust bags and 1 prefilter	5715492006724