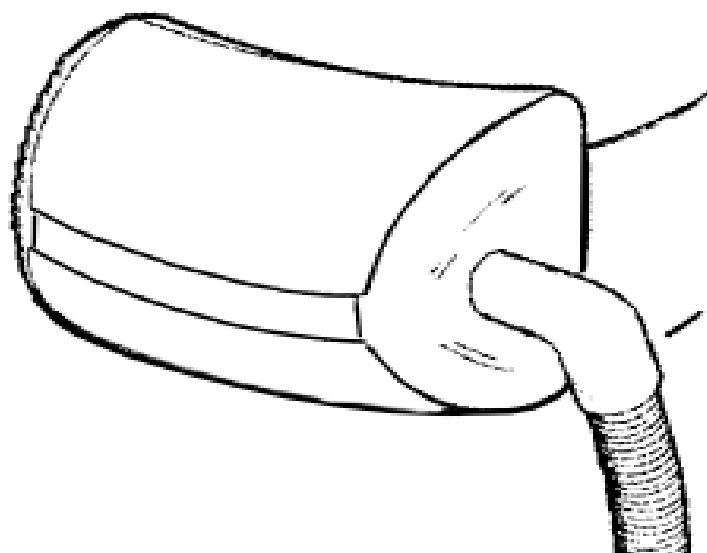


Adgility



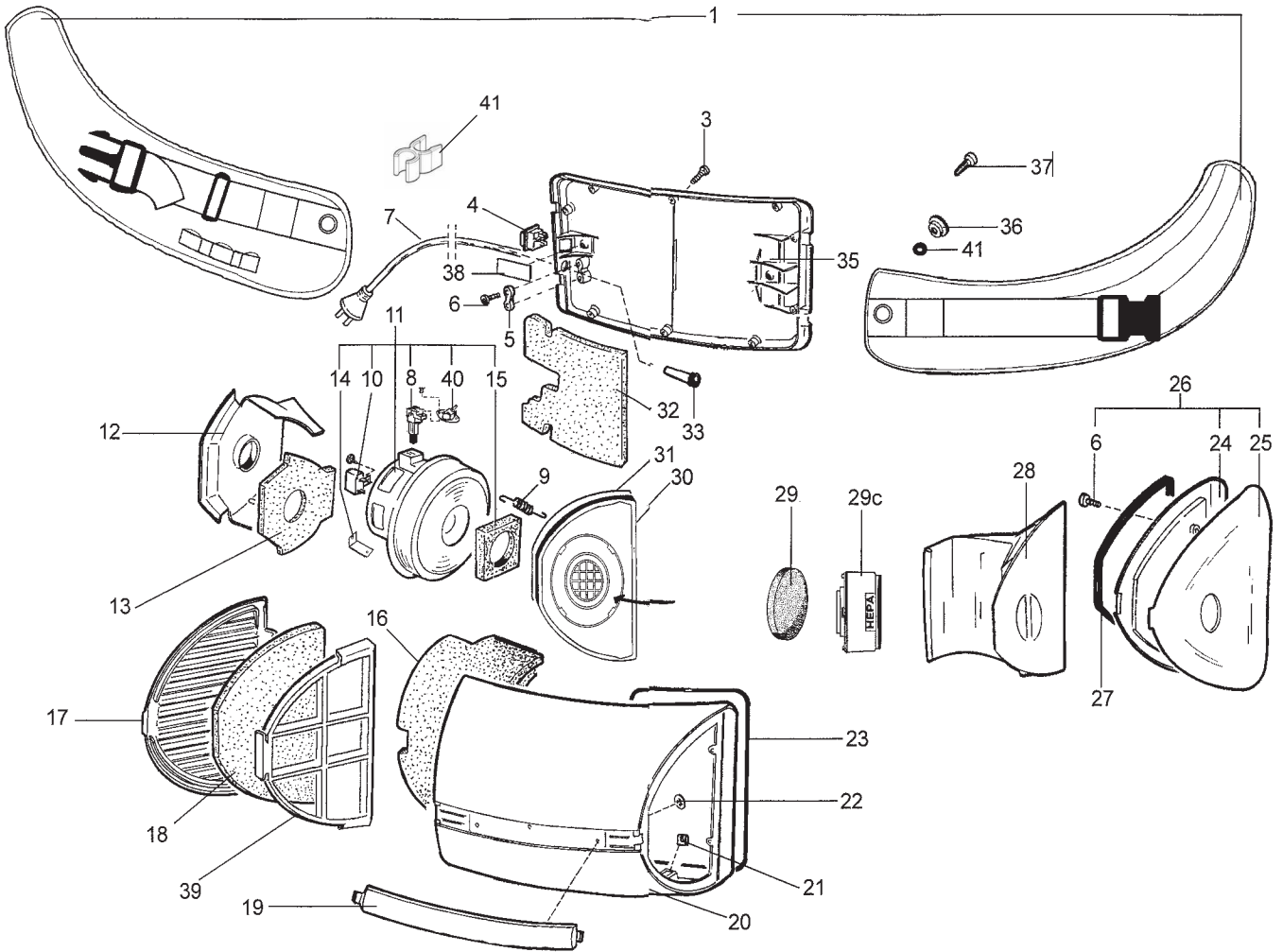
PARTS LIST

SPARE PARTS LIST ADGILITY

2

LINE DRAWING

06-06



SPARE PARTS LIST ADGILITY

11-07

SPARE PARTS NUMBER

3

ItemNo	Qty.*	Part No	Description	Note
1	1	140 7343 000	Belt cpl.w.locking	
3	10	140 9214 150	Screw P Torx 30x40 FZB	
4	1	140 5496 510	Switch	
5	1 >>	140 6560 500	Anti strain clip	UL-approved
6	4	140 9214 040	Screw	
7	1	140 3859 050	Cord set, grounded colour:yellow	Length 49 ft (15 m)
8	2	140 8092 500	Carbon brushes	Kit with 2 brushes
9	4	140 6792 000	Spring	
10	1	140 8166 010	Suppressor - Capicator	
11	1	147 1120 540	Fan unit, Ametek 8.5A 1000W	Kit w. wires.
12	1	140 6633 010	Silencer	UL-approved
13	1	140 6558 000	Insulation, silencer	
14	>>			
15	1	140 6791 000	Gasket	
16	1	140 6556 000	Insulation, cover	
17	1	140 6448 030	Exhaust gable, grey	
18	1	140 6597 500	Exhaust filter 3 pcs	
19	1	140 6426 030	Cover strip, grey	
20	1	140 6443 050	Cover, grey	UL-approved
21	6	140 6796 000	C-clip	
22	3	140 6797 000	Spring nut	
23	1	140 6798 000	Gasket	
24	1	140 6446 030	Inner suction gable, grey	
25	1	140 6447 030	Outer suction gable, grey	
26	1	140 6699 030	Suction gable compl. grey	
27	1	140 7302 000	Gasket	
28	1	140 6554 010	Dust bag 5-pack	5 pcs.
28	1	140 6554 020	Dust bag 10-pack	10 pcs.
28	1	140 6554 040	Dust bag high filtration, 5-pack	5 pcs.
28	1	140 6554 050	Dust bag high filtration, 10-pack	10 pcs.
29	1	140 6794 010	Pre filter,	
29c	1	140 7160 010	Hepa-filter, cpl.	
29d	1	140 5666 000	Gasket	
30	1	140 7148 010	Partition wall	UL-approved
31	1	140 6799 000	Gasket	
32	1	140 6557 000	Insulation, back	
33	1	093 1027 010	Sleeve	
35	1	140 6906 030	Back part cpl. grey	
35	1	140 6906 040	Back part cpl. grey	UL-approved
36	2	140 7696 000	Washer	
37	2	140 6559 010	Screw for belt 140 7343 000	
38	1	140 5358 000	Insulation	
39	1	140 6824 000	Filter holder	
40	1 >>	140 3894 500	Thermo protector	
41	1	147 0808 510	Cord retainer clip	

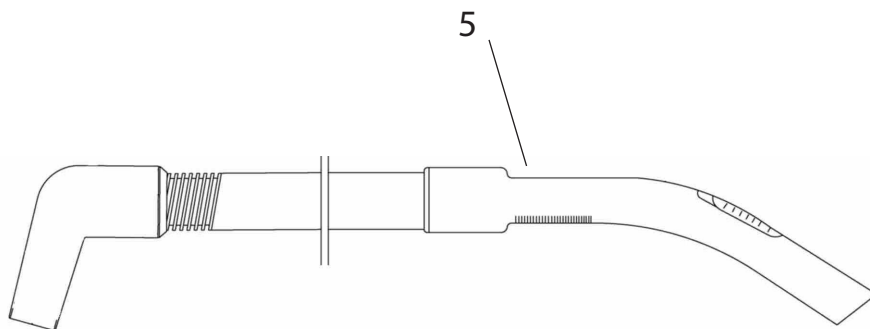
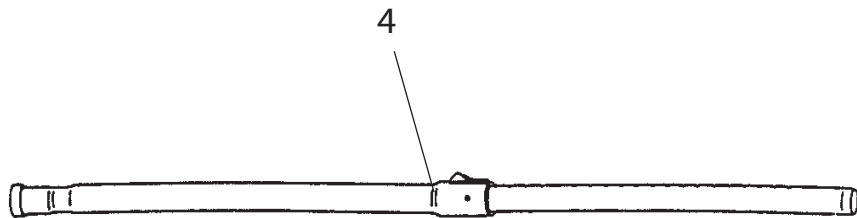
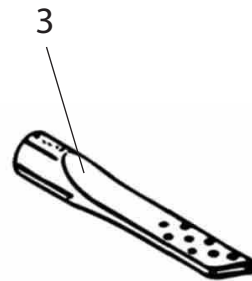
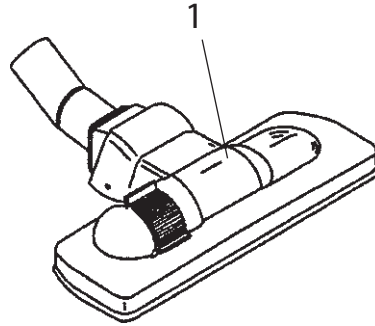
>> Means: New or changed ref. number or/and changed/new specifications.

SPARE PARTS LIST ADGILITY

4

NOZZLES & HOSE, LINE DRAWING

05-10

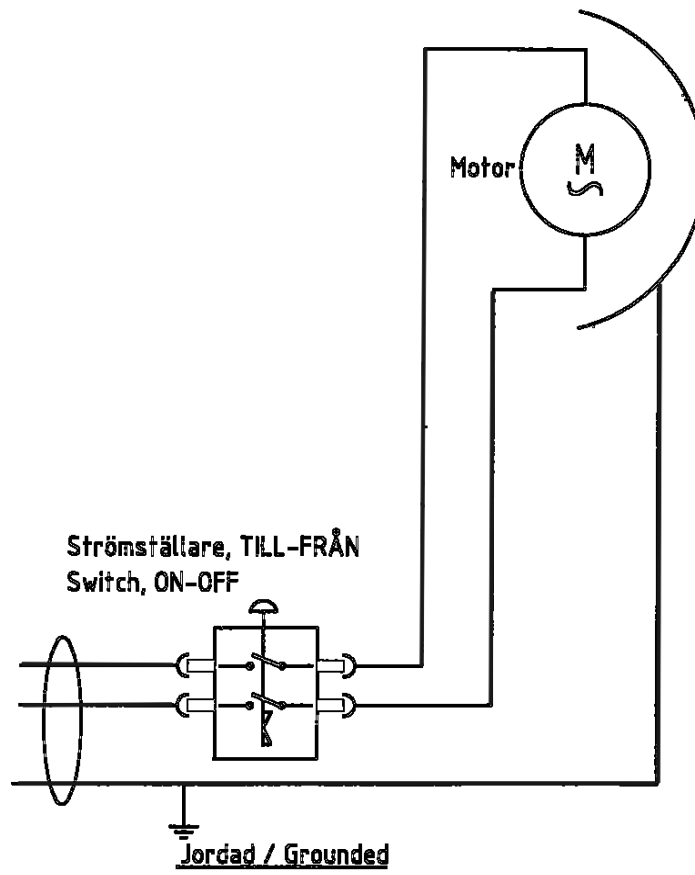


SPARE PARTS LIST ADGILITY**11-07****NOZZLES & HOSE, PART NUMBERS****5**

Item.	Qty.	Part No	Description	Note
1	1 >>	140 8492 510	Combi nozzle	Ø 0.10 ft (32 mm) Grey
2	1	11276901	Brush nozzle	Ø 0.10 ft (32 mm) Grey
3	1	81530400	Crevice nozzle	Ø 0.10 ft (32 mm) Grey
4	1	81906500	Telescopic tube, steel.	Ø 0.10 ft (32 mm) max length 3.7 ft (1130 mm)
5	1 >>	140 8070 000	Hose cpl. w. aluminium bent end	

>> Means: New or changed ref. number or/and changed/new specifications.

Termoskydd ingår i motorn.
Thermal protection incl. in motor.



SPARE PARTS LIST ADGILITY



05-10				7

WHEN ORDERING PARTS ALWAYS STATE:

- * The 10 or 8 digit part numbers
- * Quantity
- * Specify the model and serial numbers of the machine.

For Electrical details also:

- * Voltage
- * Wattage



USA

Nilfisk-Advance Inc.
14600 21st Avenue North
Plymouth, MN 55447-3408
Tel.: (763) 745 3500
Fax : (763) 745 3718

CANADA

Nilfisk-Advance Canada Company
240 Superior Boulevard
Mississauga, ON L5T 2L2
Tel.: 905-564-1149
Fax: 905-564-1030

www.mn.nilfisk-advance.com

© 2011 Nilfisk-Advance