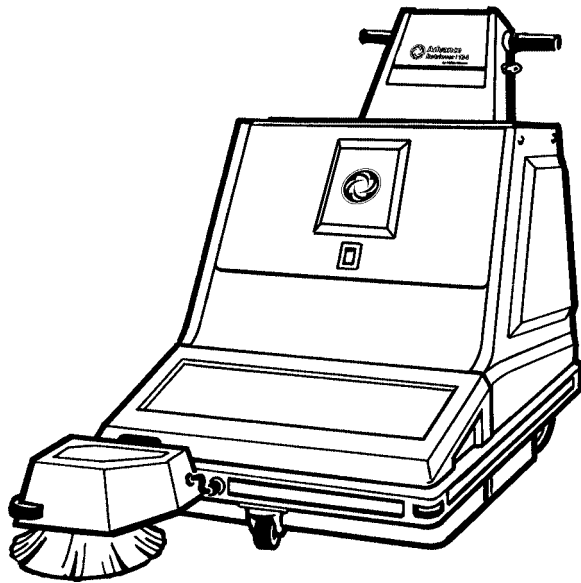


Retriever™ 134B



PARTS LIST **Advance MODEL 56467215**

This parts list is for machines after serial number 1118383



Advance
by Nilfisk-Advance

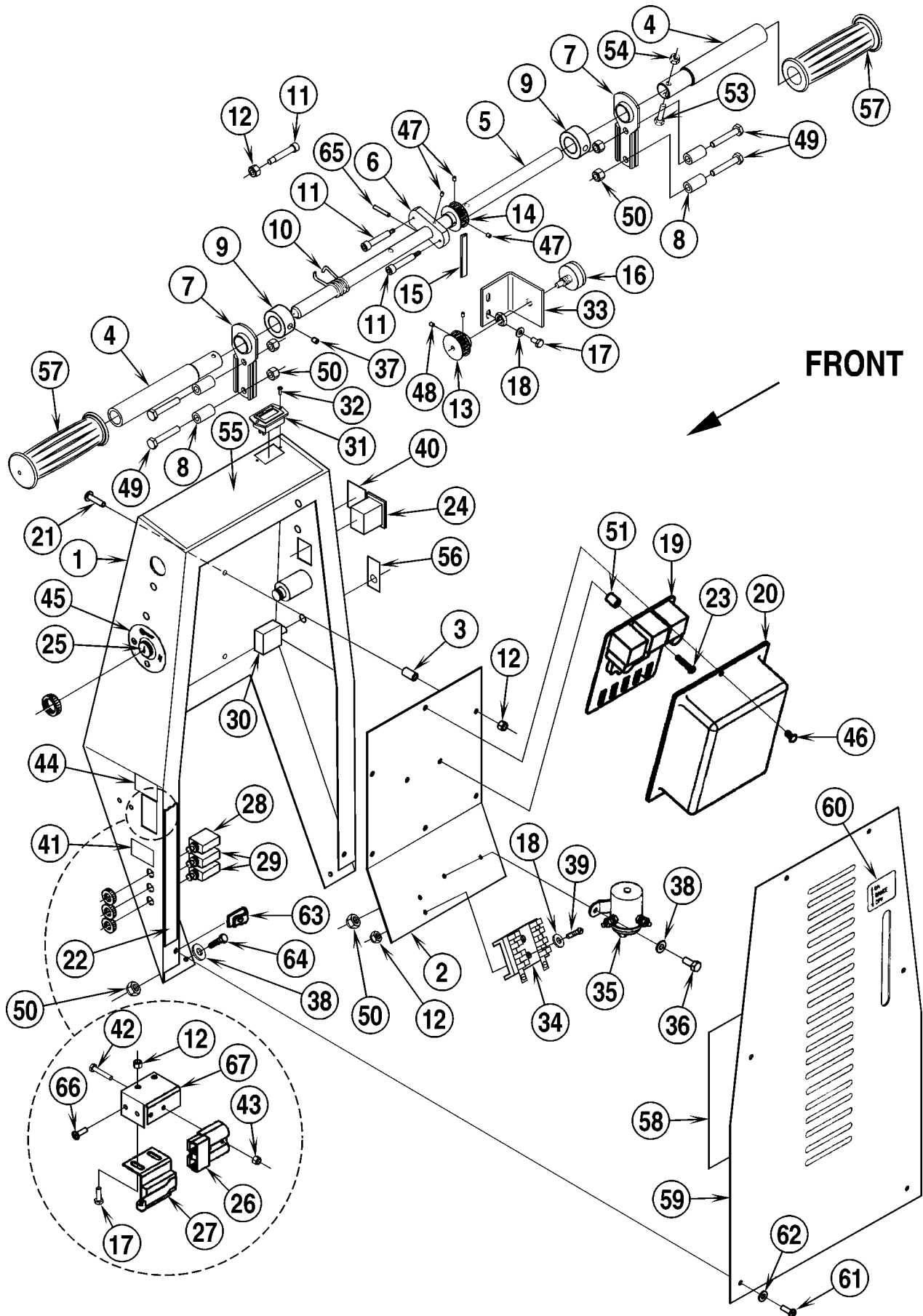
3/96 revised 7/02 FORM NO. 56042309

DESCRIPTION	PAGE
Handle Assembly	4-5
Chassis and Housing	6-7
Hopper and Main Broom	8-9
Impeller Assembly	10-11
Wheel Drive Assembly	12-13
Dust Skirts	14-15
Side Broom Assembly	16-17
Wiring Diagram	18-19

WHEN ORDERING PARTS

- * Use the 8 digit numbers from the "Ref. No." columns in this parts list.
- * Specify the model and serial number of the machine.
- * Use the space below to record the model and serial number for future reference.

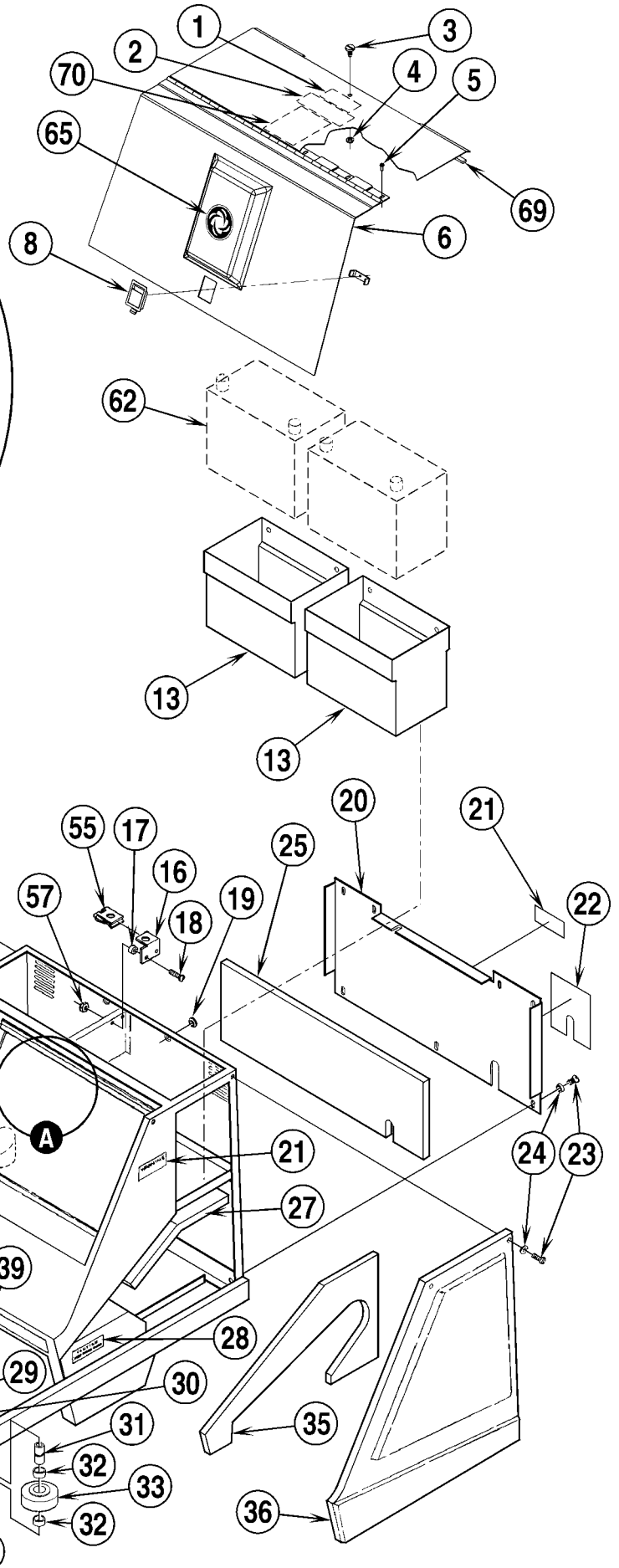
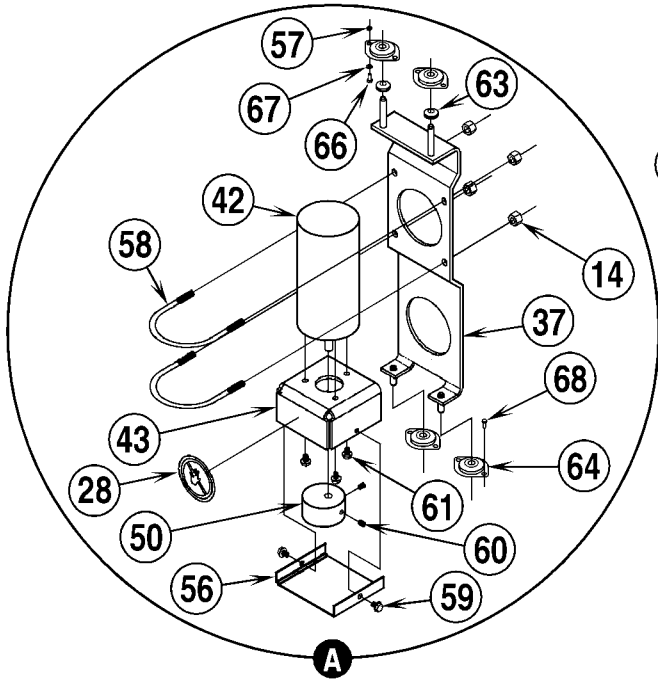
Model _____ Serial No. _____



96-3	HANDLE ASSEMBLY			
02-7	Retriever™ 134B			5

Item	Ref. No.	Qty	Description	Item	Ref. No.	Qty	Description
	56467252	1	Handle Assembly	37	56002086	2	Scr, Soc Set Loc 5/16-18 x .25
1	56467225	1	Handle Weld't	38	56002098	6	Wsh, Flt SAE 1/4
2	56467255	1	Heat Sink	39	56002674	2	Scr, Pan Phil 10-24 x 1.00
3	56467256	4	Spacer	40	56015837	1	Decal, Brush
4	56467257	2	Tube, Handle	41	56015838	1	Decal, Circuit Breaker
5	56467259	1	Bar, Handle	42	56002857	2	Scr, Pan Phil 6-32 x .88
6	56324133	1	Lever, Handle Spring	43	56002830	4	Nut, Hex Nyl Loc 6-32
7	56261097	2	Bearing	44	56054192	1	Decal, Charger
8	56261066	4	Bushing	45	56023330	1	Decal, Main Switch
9	56367095	2	Collar	46	56009051	2	Scr, Pan Phil Thd Form 8-32x.38
10	56324033	1	Spring, Torsion	47	56009084	4	Scr, Soc Set Loc 10-24 x .19
11	56003214	3	Scr, Soc Shd 10-24 x .25 x 1.25	48	56002279	2	Scr, Soc Set Loc 8-32 x .25
12	56002836	15	Nut, Hex Nyl Loc 10-24	49	56002786	4	Scr, Pan Phil 1/4-20 x 1.50
13	56324513	1	Pulley, Cog	50	56002708	10	Nut, Hex Nyl Loc 1/4-20
14	56392859	1	Pulley, Cog	51	56377721	2	Spacer
15	56324022	1	Belt, Timing	52			Intentionally Omitted
16	56454740	1	Potentiometer, 5K	53	56002093	2	Scr, Hex 1/4-20 x 1.00
17	56002503	4	Scr, Hex 10-24 x .50	54	56002491	2	Nut, Hex Nyl Loc-Thin 1/4-20
18	56001954	4	Wsh, Flt SAE #10	55	56016290	1	Decal, Control Panel
19	56324023	1	Speed Controller	56	56015836	1	Decal, Shaker
20	56324128	1	Cover, Controller	57	56388545	2	Grip, Handle
21	56002674	4	Scr, Pan Phil 10-24 x 1.00	58	56015803	1	Decal, Wiring
22	56200754	4.7'	Gasket 1/8 x .50	59	56467813	1	Panel, Rear Handle
23	56009034	2	Scr, Pan Phil Thd Form 8-32 x .88	60	56024984	1	Decal, Brake
24	56261245	1	Brush Switch	61	56002153	6	Scr, Flt Phil 10-24 x .38
25	56441538	1	Switch, Key	62	56009081	6	Wsh, Finishing
*	56441539	A/R	Replacement Key	63	56328855	4	Spring Nut
26	56324305	1	Connector Housing	64	56001854	4	Scr, Hex 1/4-20 x .50
*	56324306	2	Replacement contacts	65	56002082	2	Pin, Spring .19 x 1.00
27	56462362	1	Charger Interlock Switch	66	56002043	2	Scr, Pan Phil 10-24 x .38
28	56387316	1	10A Circuit Breaker	67	56467323	1	Charger Plug Mount
29	56395454	2	20A Circuit Breaker	*	56467237	1	Wiring Harness
30	56468175	1	Shaker Switch	*	56478246	3	Cable Tie
31	56372089	1	Battery Gauge	*	56462361	2	Connector, 2 Way Female
32	56009192	2	Rivet, Push Nylon Black				
33	56467065	1	Mount, Potentiometer				
34	56467175	1	Block, Terminal				
35	56468358	1	Solenoid				
36	56001836	2	Scr, Hex 1/4-20 x .62				

* = Not Shown



Item	Ref. No.	Qty	Description	Item	Ref. No.	Qty	Description
1	56023312	1	Decal, Warning	36	56467812	1	Left Shroud
2	56016116	1	Decal, Caution	37	56467279	1	Motor Mount
3	56448104	1	Screw	38	56002836	4	Nut, Hex Nyl Loc SS 10-24
4	56448108	1	Retaining Washer	39	56467258	2	Plate
5	56001993	6	#10-24 x 1/2 Screw	40	56002178	4	Scr, Flt Phil 10-24 x .50
6	56467043	1	Door	41	56002964	2	Nut, Hex Nyl Loc Thin SS 6-32
7	56023320	1	Decal, Filter	42	56467307	1	Shaker Motor
8	56761160	1	Latch	43	56467273	1	Guard, Eccentric
	56455108	1	Clamp	44	56002332	2	#6-32 x 5/8 Screw
	56467038	1	Striker	45	56754090	1	Receptacle
9	56023334	1	Decal, Up	46	56206725	1	Caster
10	56023326	1	Decal, Shake	47	56002098	4	1/4 Washer
11	56467035	1	Gasket 84.5" x .38 x .38	48	56002155	4	1/4-20 x 3/4 Screw
12	56467388	1	Filter	49	56467309	1	Filter Assembly (#7, 9-12)
**	56467396	1	Filter, Hepa Media	**	56467397	1	Hepa Filter Assembly
**	56467398	1	Filter, Electrostat Media	**	56467399	1	Electrostat Filter Assembly
13	56467084	2	Battery Case	50	56467301	1	Eccentric
14	56002708	8	1/4-20 Nut	51	56467197	1	Foam
15			Intentionally Omitted	52	56467811	1	Right Shroud
16	56467596	1	Bracket	53	56467033	1	Gasket 72" x 3/16 x 3/8
17	56200689	2	Bushing	54	56467262	1	Frame
18	56002146	9	#8-32 x 5/8 Screw	55	56468960	1	Screw Receptacle
19	56157376	2	Grommet	56	56467277	1	Cover, Eccentric
20	56467810	1	Rear Panel	57	56002877	6	Nut, Hex Nyl Loc SS 8-32
21	56023318	4	Decal, Warning	58	56467271	2	U-Bolt
22	56023302	1	Decal, Brush Height	59	56009063	2	Scr, Hex Thd Form 10-24 x 1/4
23	56002153	11	Scr, Flt Phil 10-24 x .38	60	56009084	2	Scr, Soc Set Loc 10-24 x .19
24	56009081	11	Finishing Washer	61	56002001	3	Scr, Pan Phil 10-32 x .38
25	56467193	1	Foam	62	56206962	2	Battery, 12V (optional)
26			Intentionally Omitted	*	56206980	1	Charger 24V, Auto (optional)
27	56467189	1	Left Foam	63	56321559	2	Grommet
	56467191	1	Right Foam (Not Shown)	64	56467315	4	Mount, Vibration
28	56030080	2	Decal, Hands Clear	65	56016348	1	Decal, Logo
29	56009211	2	10-24 x 3/4 Screw	66	56003128	4	Scr, Hex Hd 8-32 x .38
30	56009096	4	Washer	67	56002140	4	Wsh, Flt SAE #8
31	56109038	4	Bearing	68	56009207	4	Scr, Pan Phil Loc 8-32 x .25
32	56109039	4	Bushing	69	56320099	2.1'	Gasket .37 x .12
33	56465026	2	Wheel	70	56015731	1	Decal, Battery Wiring
34	56002836	2	Nut, Hex Nyl Loc SS 10-24	*	56467039	2	Gasket 5.50" x .50 x .06
35	56467195	1	Foam				

* = Not Shown

** = Optional

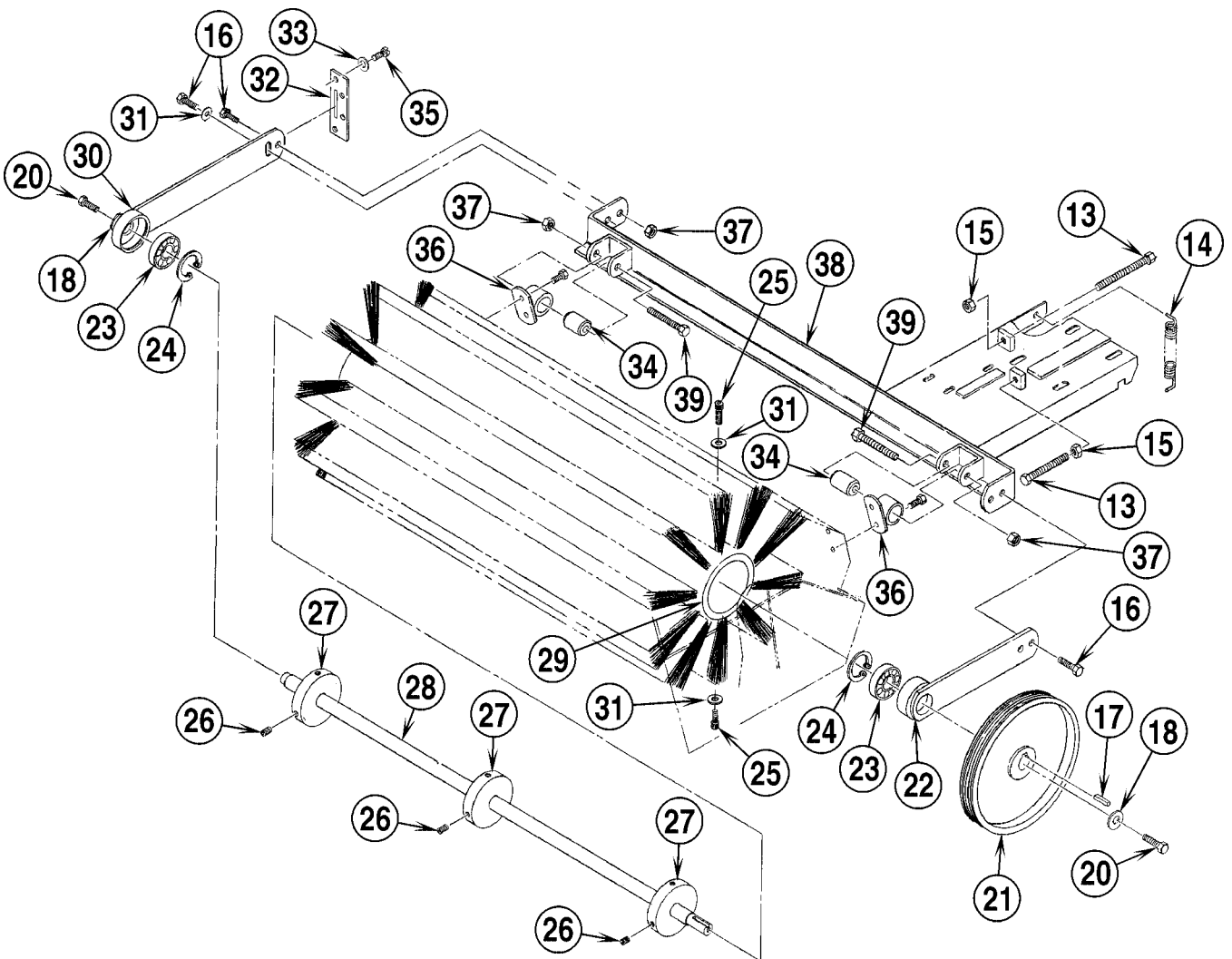
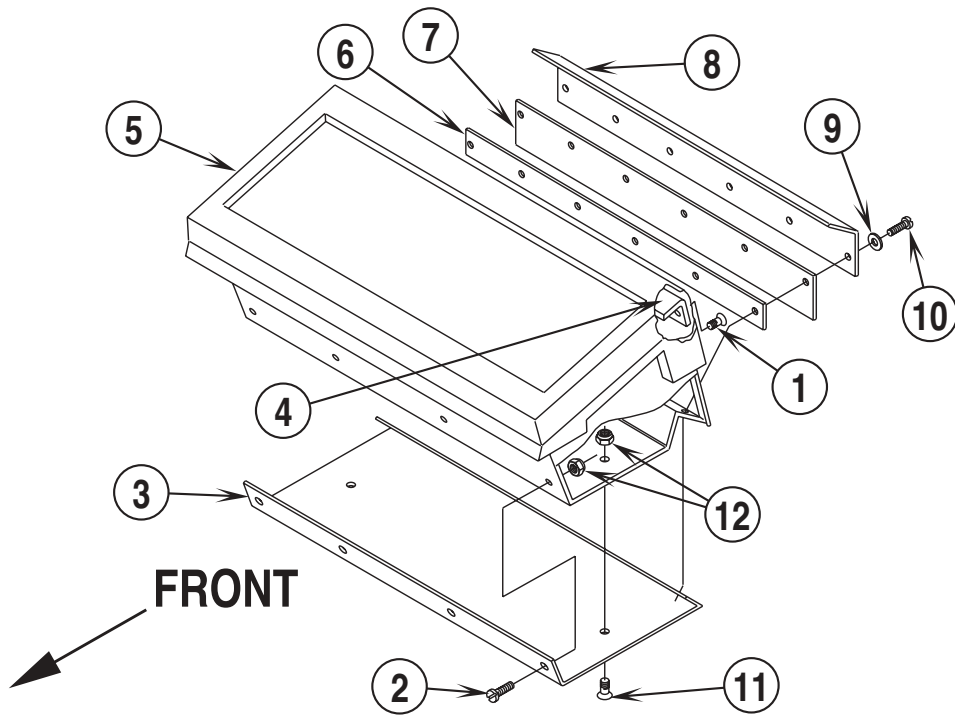
HOPPER AND MAIN BROOM

96-3

8

Retriever™ 134B

01-7



96-3	HOPPER AND MAIN BROOM		
01-7	Retriever™ 134B		9

Item	Ref. No.	Qty	Description
	56467814	1	Hopper Assembly (#1-12)
1	56002306	5	Scr, Flt Hd 8-32 x .38
2	56001993	4	Scr, Pan Hd 10-24 x .50
3	56467818	1	Wear Plate
4	56467822	1	Angle
5	56467815	1	Hopper
6	56467816	1	Plate
7	56467208	1	Skirt
8	56467817	1	Angle
9	56009010	6	Wsh, Loc #8
10	56001860	6	Scr, Pan Hd 8-32 x .75
11	56002178	2	Scr, Flt Hd 10-24 x .50
12	56002836	6	Nut, Hex Nyl Loc SS 10-24
13	56467542	2	Screw
14	56467404	1	Spring
15	56002769	3	Nut, Hex Nyl Loc 3/8-16
16	56002155	6	Scr, Hex Hd 1/4-20 x .75
17	56003235	1	Key, Square .12 x .44
18	56009002	2	Washer
19			Intentionally Omitted
20	56001854	4	Scr, Hex Hd 1/4-20 x .50
21	56467204	1	Sheave
22	56467194	1	Left Brush Arm
23	56372773	2	Bearing
24	56366544	2	Retainer Ring
25	56002093	6	Scr, Hex Hd 1/4-20 x 1.00
26	56002119	3	Scr, Soc Set Loc 1/4-20 x .50
27	56475462	3	Brush Mounting Disc
28	56467182	1	Brush Shaft
29	56505606	1	Main Broom, Poly (std)
*	56475504	1	Main Broom, Union Mix (opt)
*	56505596	1	Main Broom, Non-Conductive (opt)
30	56467192	1	Right Brush Arm
31	56002098	7	Wsh, Flt SAE 1/4
32	56467350	1	Gasket
33	56002140	4	Wsh, Flt SAE #8
34	56467310	2	Rubber Mount
35	56001818	4	Scr, Pan Phil 8-32 x .38
36	56467312	2	Pivot
37	56002708	4	Nut, Hex Nyl Loc 1/4-20
38	56467178	1	Frame
39	56001874	2	Scr, Hex Hd 1/4-20 x 2.00

* = Not Shown

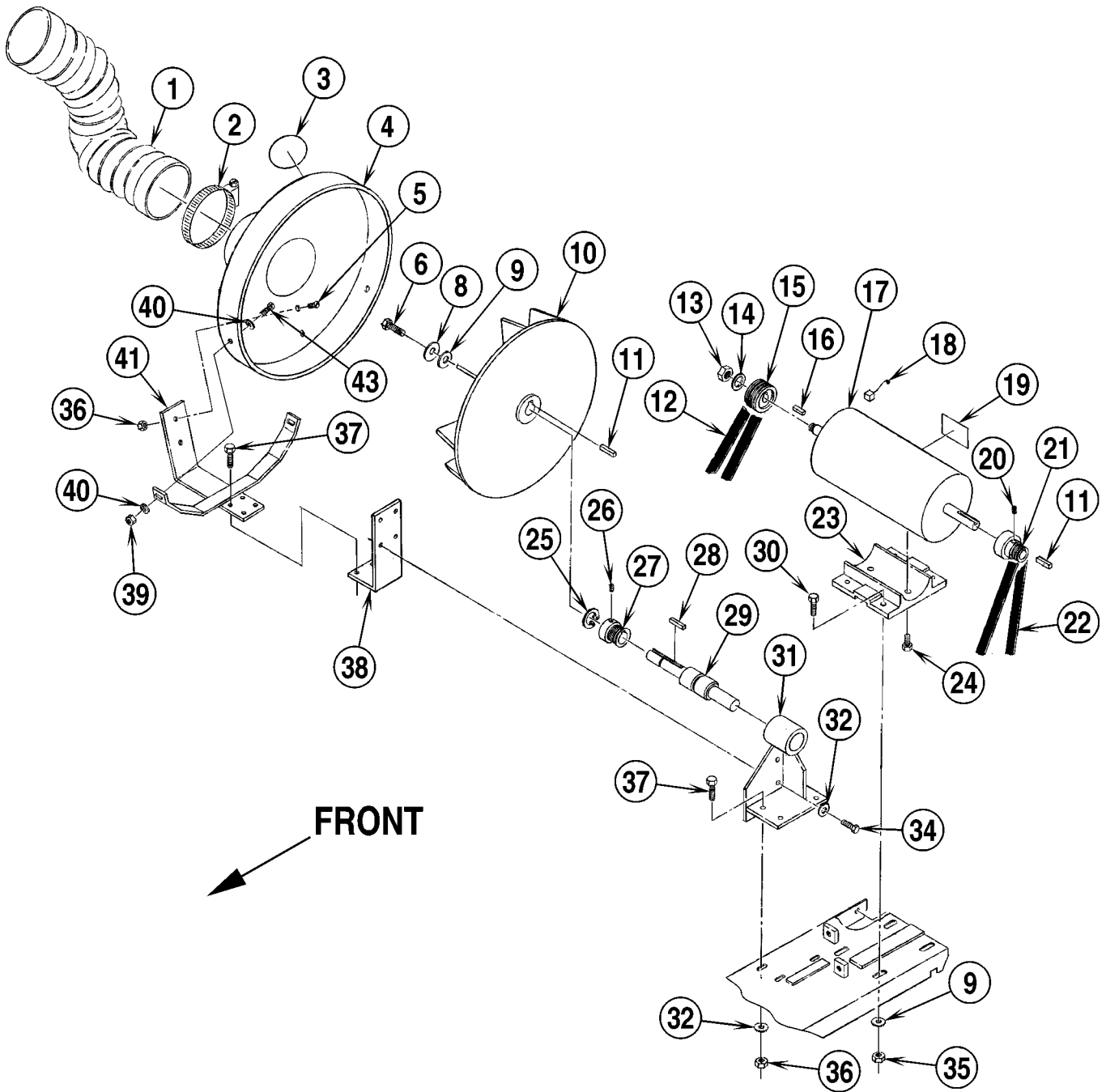
IMPELLER ASSEMBLY

96-3

10

Retriever™ 134B

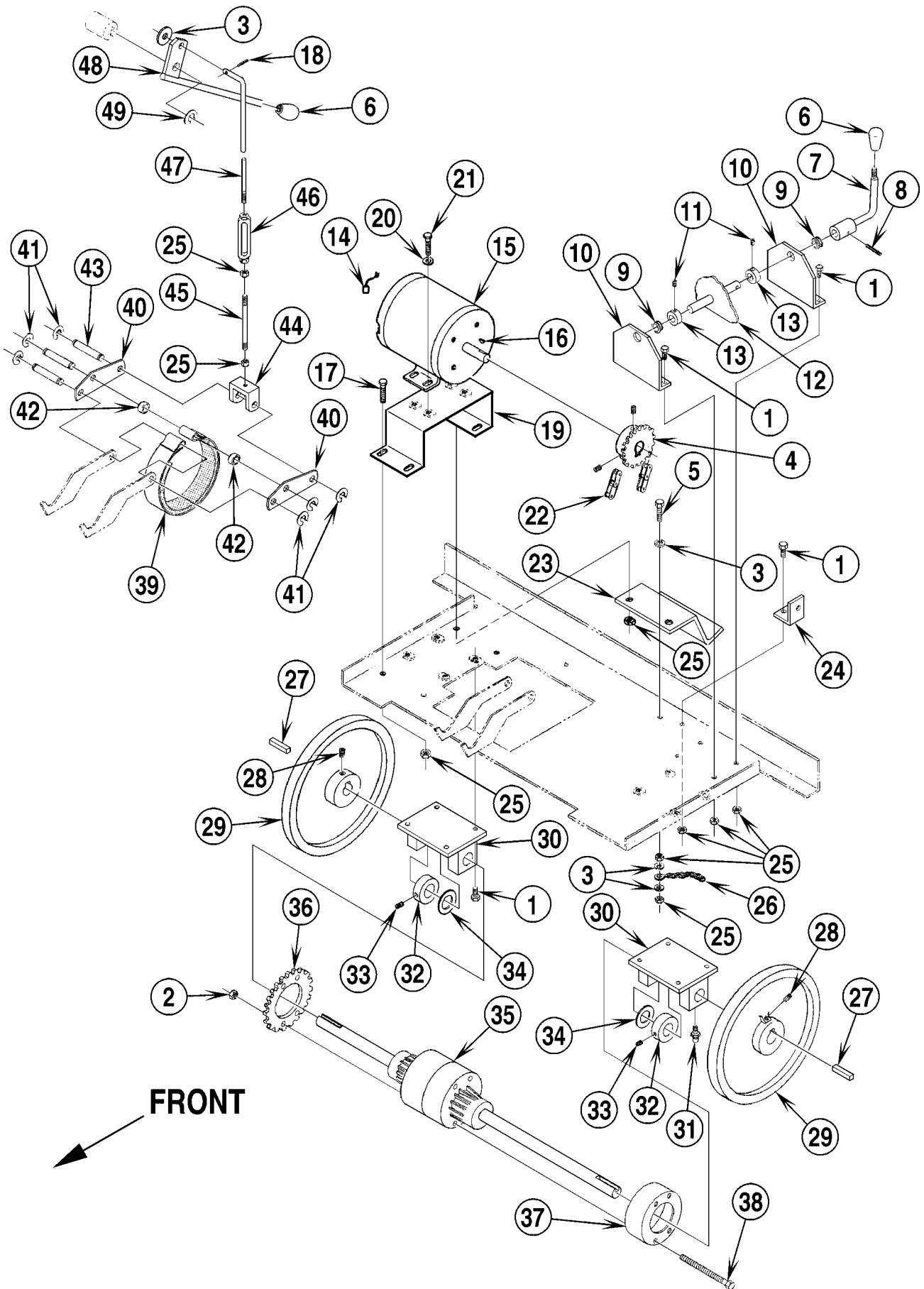
01-7



96-3	IMPELLER ASSEMBLY			
02-7	Retriever™ 134B			11

Item	Ref. No.	Qty	Description
1	56469027	1	Flex Hose
2	56352829	2	Hose Clamp
3	56030080	1	Decal, Hands Clear
4	56467820	1	Shroud
5	56002784	2	Scr, Flt Phil 1/4-20 x .75
6	56002956	1	Scr, Hex Nyl Loc SS 5/16-18 x .75
7			Intentionally Omitted
8	56009122	1	Wsh, .343 x .83 x .12
9	56001939	5	Wsh, Flt SAE 5/16
10	56469347	1	Impeller
11	56367958	2	Square Key .18 x 1.12
12	56467264	1	Poly-V Belt
13	56002769	1	Nut, Hex Nyl Loc 3/18-16
14	56002063	1	Wsh, Flt SAE 3/8
15	56467372	1	Sheave
16	56003235	1	Square Key .12 x .44
17	56467055	1	Motor
18	56386263	1	Carbon Brush (Set)
19	56023318	1	Decal, Warning
20	56009084	2	Scr, Soc Set Loc #10-24 x .19
21	56467184	1	Sheave
22	56467269	1	Poly-V Belt
23	56467355	1	Motor Base
24	56003650	2	Scr, Hex Nyl Loc 5/16-24 x .50
25	56003259	1	Ring, Ret Ext SS
26	56002086	2	Scr, Soc Set Loc 5/16-18 x .25
27	56467548	1	Sheave
28	56158135	1	Square Key
29	56467550	1	Shaft & Bearing
30	56002037	4	Scr, Hex Hd 5/16-18 x .88
31	56467442	1	Bracket
32	56002098	7	Wsh, Flt SAE 1/4
33			Intentionally Omitted
34	56001854	4	Scr, Hex Hd 1/4-20 x .50
35	56002826	4	Nut, Hex Nyl Loc Thin 5/16-18
36	56002832	5	Nut, Hex Nyl Loc Thin 1/4-20
37	56002155	7	Scr, Hex Hd 1/4-20 x .75
38	56467297	1	Bracket
39	56002836	2	Nut, Hex Nyl Loc SS 10-24
40	56001954	4	Wsh, Flt SAE #10
41	56467300	1	Bracket
42			Intentionally Omitted
43	56002503	2	Scr, Pan 10-24 x .50

* = Not Shown



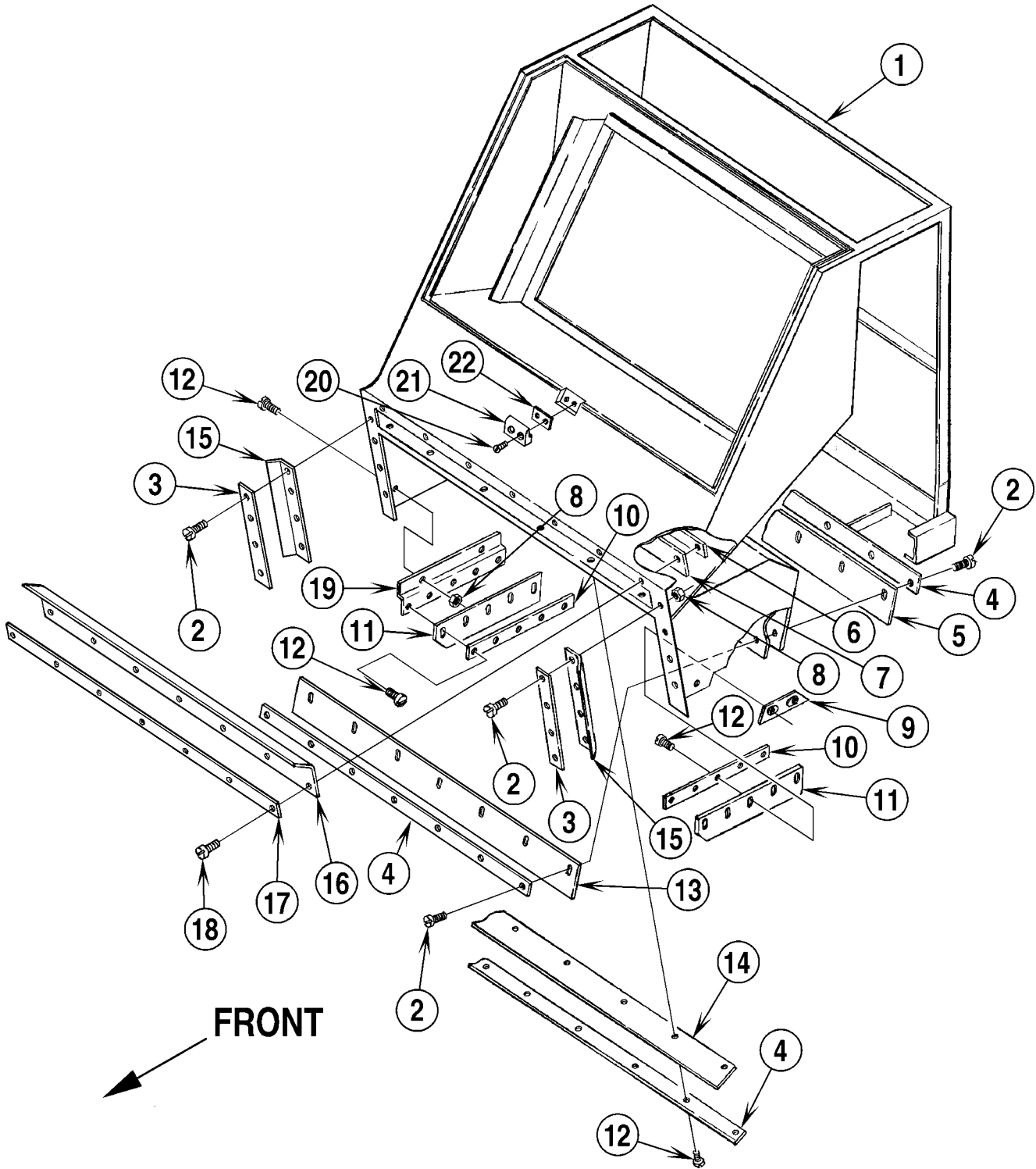
96-3

WHEEL DRIVE ASSEMBLY

02-7

Retriever™ 134B**13**

Item	Ref. No.	Qty	Description
1	56001854	15	Scr, Hex Hd 1/4-20 x .50
2	56002701	4	Nut, Hex Nyl Loc 5/16-18
3	56002098	4	Wsh, Flt SAE 1/4
4	56467017	1	Sprocket
5	56001821	3	Scr, Hex Hd 1/4-20 x .88
6	56364527	2	Knob
7	56467360	1	Handle
8	56001984	1	Pin, .12 x .75
9	56329098	2	Bushing
10	56467238	2	Bracket
11	56009084	2	Scr, Soc Set Loc #10-24 x .19
12	56467250	1	Cam
13	56331076	2	Collar
14	56503006	1	Motor Brushes (Set)
15	56263253	1	Motor
16	56467121	1	Woodruff Key
17	56002155	4	Scr, Hex Hd 1/4-20 x .75
18	56002946	1	Cotter Pin, .06 x 1.00
19	56467025	1	Mounting Plate
20	56001939	4	Wsh, Flt SAE 5/16
21	56002929	4	Scr, Hex Loc 5/16-18 x .62
22	56467027	1	Chain
23	56467506	1	Stop Bracket
24	56467418	1	Angle
25	56002708	15	Nut, Hex Nyl Loc 1/4-20
26	56467544	1	Chain
27	56003242	2	Square Key .18 x 1.87
28	56002985	4	Scr, Soc Set Loc SS 5/16-18 x .50
29	56467382	2	Wheel
30	56467218	2	Mounting Bracket
	56441406	4	Bearing Sleeve for 56467218
31	56101753	4	Lube Fitting
32	56367095	2	Collar
33	56002086	2	Scr, Soc Set Loc 5/16-18 x .25
34	56367184	2	Thrust Bearing
35	56467230	1	Differential
36	56467023	1	Sprocket
37	56469026	1	Brake Drum
38	56003486	4	Scr, Hex Thd to Hd SS 5/16-18 x 4.00
39	56402745	1	Brake Strap
40	56402990	2	Brake Arm
41	56003262	6	Retaining Ring
42	56328022	2	Spacer
43	56402995	3	Pin
44	56402971	1	Brake Handle Bracket
45	56481671	1	Stud
46	56206814	1	Turnbuckle
47	56467163	1	Brake Handle Rod
48	56467155	1	Brake Handle Rod
49	56003264	1	Retaining Ring



96-3	DUST SKIRTS		
01-7	Retriever™ 134B		15

Item	Ref. No.	Qty	Description
1	56467262	1	Frame
2	56002003	24	Scr, Pan Phil #8-32 x .50
3	56467329	2	Plate
4	56467334	3	Skirt Plate
5	56467317	1	Skirt
6	56467536	1	Plate
7	56467496	1	Skirt
8	56002877	8	Nut, Hex Nyl Loc SS #8-32
9	56467324	1	Nut Plate
10	56467326	2	Skirt Plate
11	56467306	2	Side Skirt
12	56001818	19	Scr, Pan Phil #8-32 x .38
13	56467319	1	Skirt
14	56467340	1	Skirt
15	56467333	2	Gasket
16	56467344	1	Top Gasket
17	56467342	1	Plate
18	56002146	7	Scr, Pan Phil #8-32 x .62
19	56467821	1	Bracket
20	56002396	2	Scr, Flt Phil #8-32 x .50
21	56467038	1	Striker
22	56467167	1	Shim

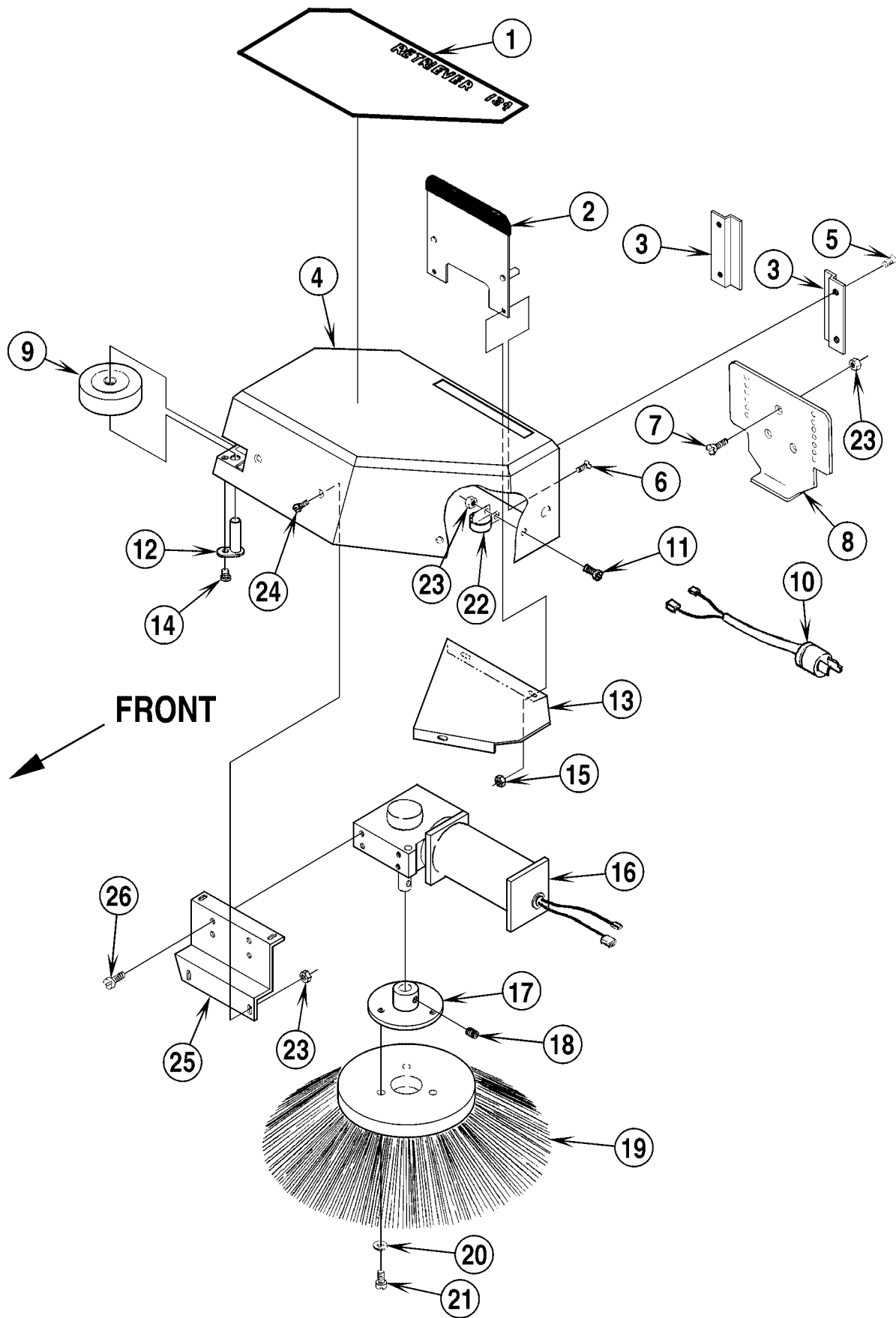
SIDE BROOM ASSEMBLY

96-3

16

Retriever™ 134B

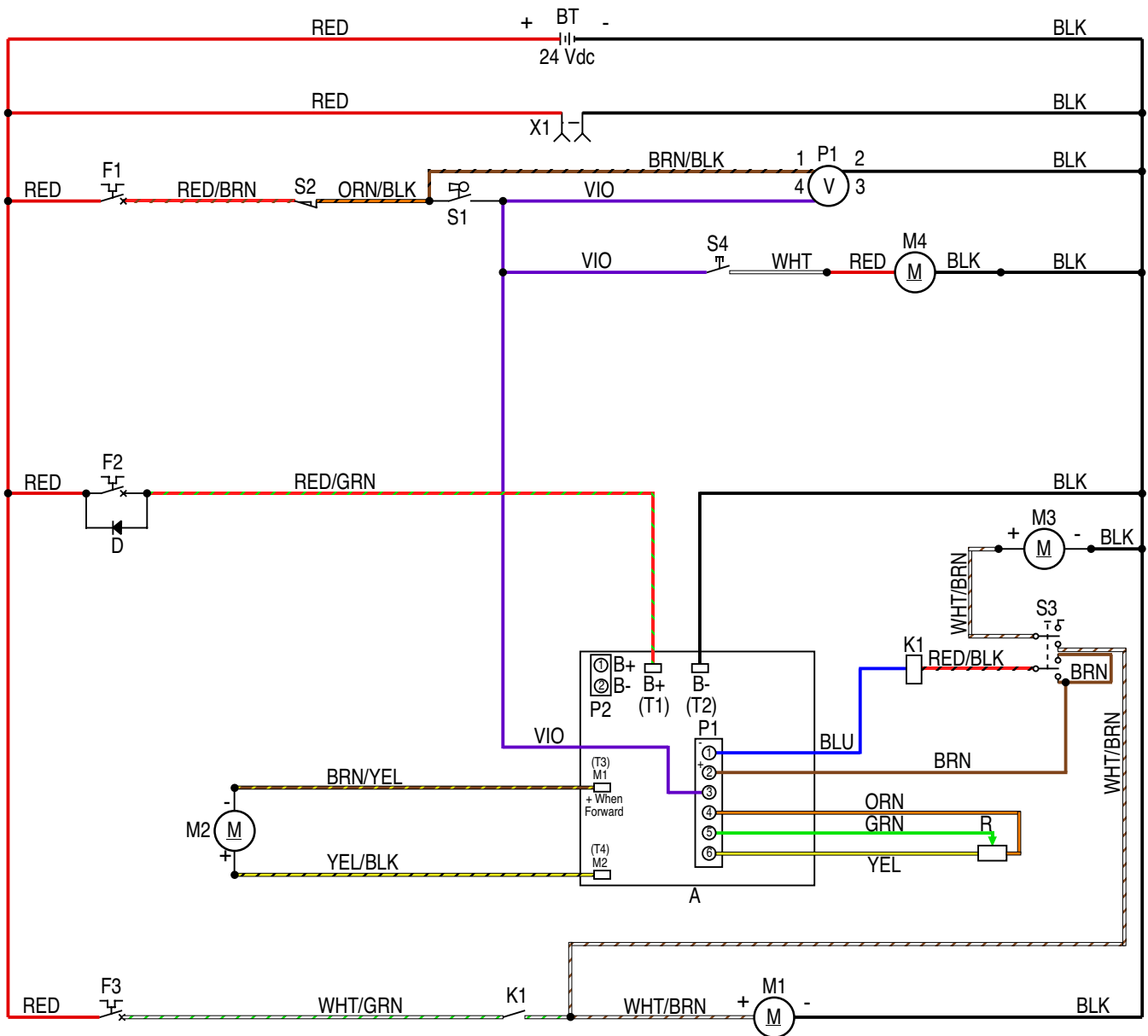
01-7



96-3	SIDE BROOM ASSEMBLY		
01-7	Retriever™ 134B		17

Item	Ref. No.	Qty	Description
1	56014353	1	Decal, Retriever 134B
2	56465542	1	Side Broom Latch
3	56467827	2	Guide
4	56467826	1	Side Broom Housing
5	56009019	4	Scr, Hex Thd Form 1/4-20 x .38
6	56002396	3	Scr, Flt Phil 8-32 x .50
7	56001900	3	Scr, Flt Phil 10-24 x .75
8	56467828	1	Plate
9	56363855	1	Wheel
*	56322157	1	Bearing
10	56467532	1	Cord Assembly
11	56002124	1	Scr, Pan Phil 10-24 x .62
12	56465534	1	Pin
13	56467824	1	Shield Plate
14	56009051	1	Scr, Pan Phil Thd Form 8-32 x .38
15	56002808	3	Nut, Hex Nyl Loc 8-32
16	56469530	1	Motor Assembly
*	56471129	1	Carbon Brushes
17	56467522	1	Brush Holder
18	56001841	1	Scr, Soc Set Loc 1/4-20 x .25
19	56475179	1	Broom
20	56002098	3	Wsh, Flt SAE 1/4
21	56002066	3	Scr, Pan Phil 1/4-20 x .62
22	56300152	1	Cord Clamp
23	56002768	8	Nut, Hex Nyl Loc 10-24
24	56002178	4	Scr, Flt Hd 10-24 x .50
25	56467825	1	Motor Mount
26	56009069	4	Scr, Pan Phil Loc 1/4-20 x .50

* = Not Shown



96-3	WIRING DIAGRAM		
01-7	Retriever™ 134B		19

Item	Description	
A	56324023	Speed Controller
BT	NA	Batteries
D	56409228	Diode
F1	56387316	10Amp Circuit Breaker
F2	56395454	20Amp Circuit Breaker
F3	56395454	20Amp Circuit Breaker
K	56468358	Solenoid, Broom Motor
M1	56467055	Broom / Fan Motor
M2	56263253	Drive Motor
M3	56469530	Side Broom Motor
M4	56467307	Shaker Motor
P1	56372089	Battery Gauge
R	56454740	5K Ohm Potentiometer
S1	56441538	Main Switch
S2	56462362	Charger Interlock Switch
S3	56261245	Broom Switch
S4	56468175	Shaker Switch
X1	56324305	Charger Connector



Nilfisk-Advance, Inc.
14600 21st Avenue North
Plymouth, MN, 55447-3408
www.nilfisk-advance.com
Phone: 800-989-2235
Fax: 800-989-6566
©2000 Nilfisk-Advance, Inc.,
Plymouth, MN 55447-3408
Printed in the U.S.A.