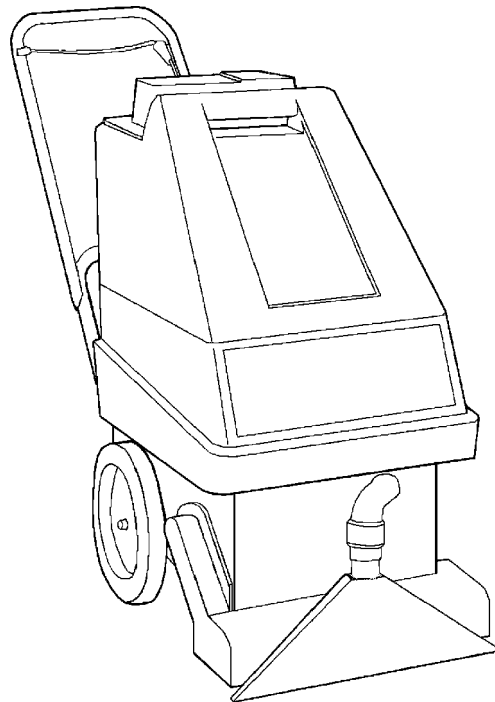


# AquaClean™ *Classic*

---



---

## **PARTS LIST**

**AquaClean™ MODEL 56262640**



**Advance**  
*by Nilfisk-Advance*

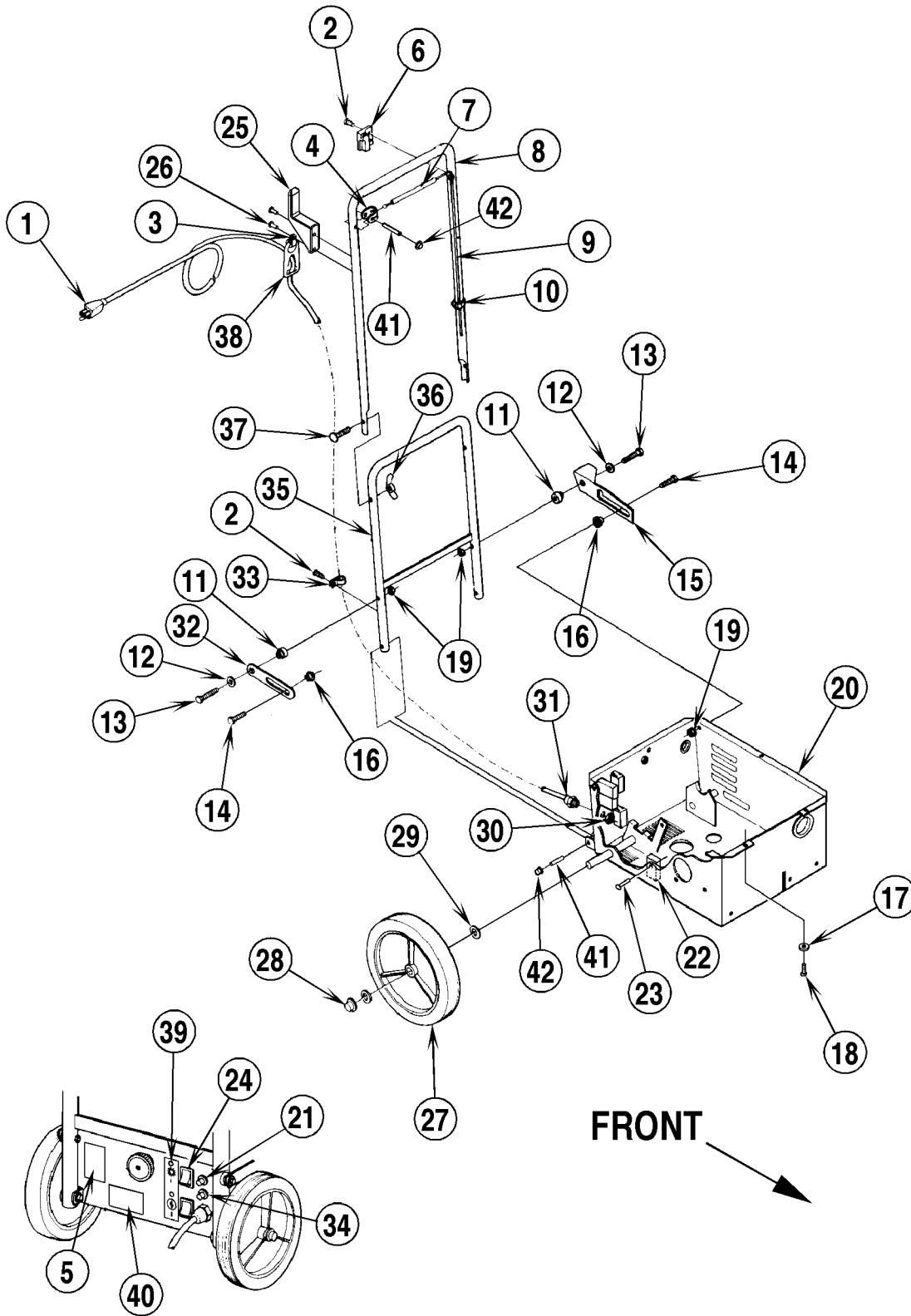
3/99 revised 1/02 FORM NO. 56042358

<b>DESCRIPTION</b>	<b>PAGE</b>
<b>HANDLE AND BASE .....</b>	<b>2-3</b>
<b>BASE AND BRUSH .....</b>	<b>4-5</b>
<b>TANKS AND PUMP .....</b>	<b>6-7</b>
<b>WIRING DIAGRAM .....</b>	<b>8-9</b>

#### **WHEN ORDERING PARTS**

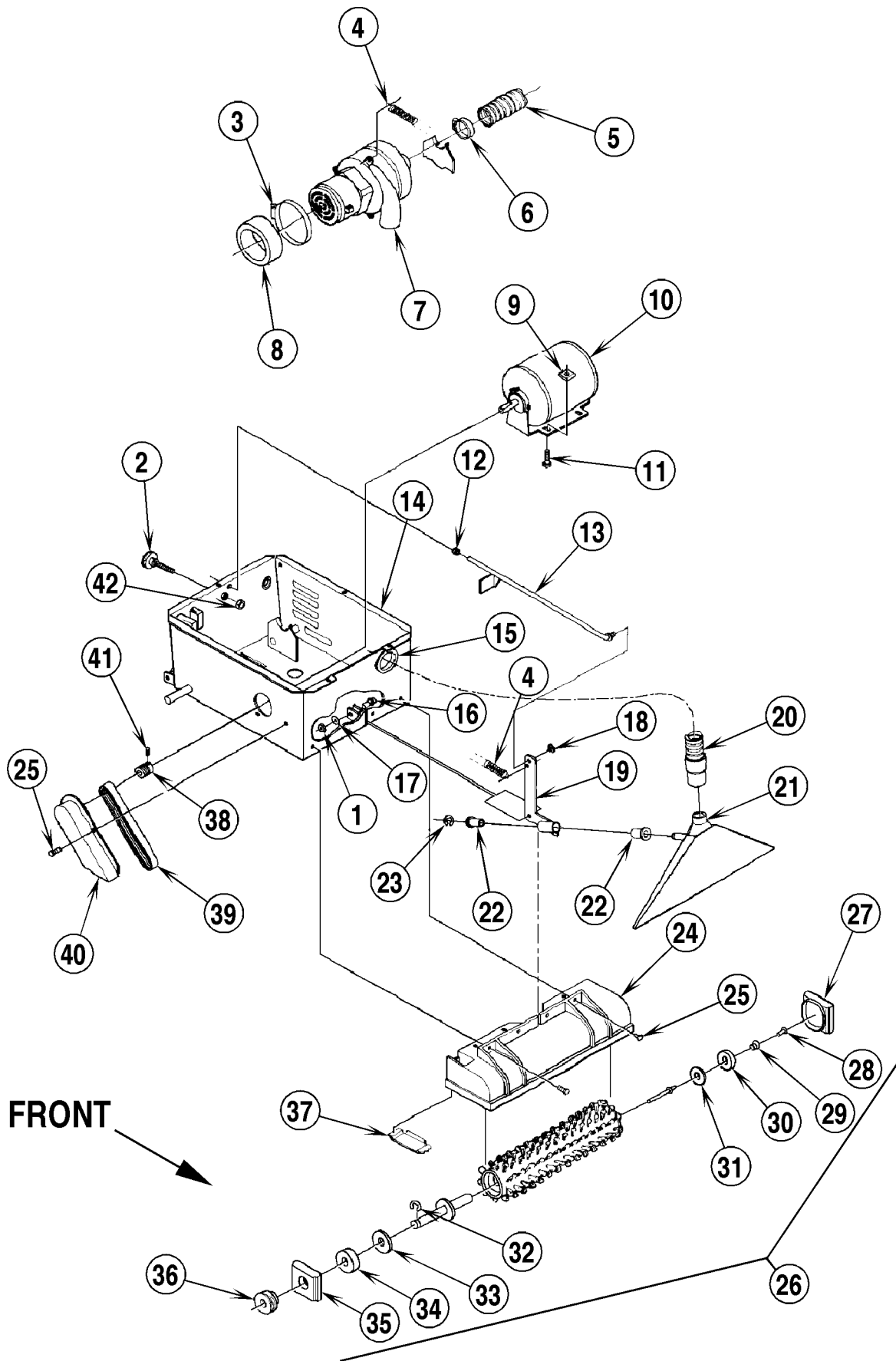
- \* Use the 8 digit numbers from the "Ref. No." columns in this parts list.
- \* Specify the model and serial number of the machine.
- \* Use the space below to record the model and serial number for future reference.

Model \_\_\_\_\_ Serial No. \_\_\_\_\_



Item	Ref. No.	Qty	Description
1	56262563	1	Power Cord 120V
2	56009012	2	10-24 x .38 HP5 Screw
3	56442011	1	P-Clamp
4	56262655	1	Clevis <b>TSB 664</b>
5	56014781	1	Decal, Caution
6	56262570	1	Cable Guide
7	56262533	1	Tube
8	56262554	1	Handle
9	56262543	1	Cable
10	56344346	3	Cable Clamp
11	56262653	2	Flange Bushing
12	56002220	5	5/16 Flat Washer
13	56003005	2	5/16-18 x 1.75 Screw
14	56009190	2	Scr, Truss Phil 5/16-18 x .75
15	56262527	1	Latch
16	56320595	2	Bushing
17	56002098	4	1/4 Flat Washer
18	56009033	4	1/4-20 x .50 HP5 Screw
19	56002826	5	5/16-18 Nut
20	56262636	1	Base
21	56171550	1	9 Amp Circuit Breaker
*	56009112	1	3/8 Shakeproof Washer
22	56260071	1	Terminal Block
23	56009176	1	Scr, Hex Thd Form 10-24 x 1.00
*	56002768	1	10-24 Hex Nut
24	56262551	2	Switch
25	56262518	1	Hook, Cord
26	56009029	2	Scr, Pan Phil Thd Form 10-24 x .38
27	56249505	2	Wheel
28	56009097	2	Cap
29	56262167	2	Spacer
30	56009095	1	1/2-14 Lock Nut
31	56323135	1	Strain Relief
32	56262595	1	Strap
33	56342319	2	P-Clamp
34	56168786	1	13 Amp Circuit Breaker
*	56009112	1	3/8 Shakeproof Washer
35	56262553	1	Handle
36	56002370	2	Wing Nut
37	56009113	2	Bolt
38	56262535	1	Strain Relief
39	56014663	1	Decal, Instruction
40	56262184	1	Wearpack
41	56262193	3	Stud
42	56009132	6	Nut, Push Cap

\* = Not Shown

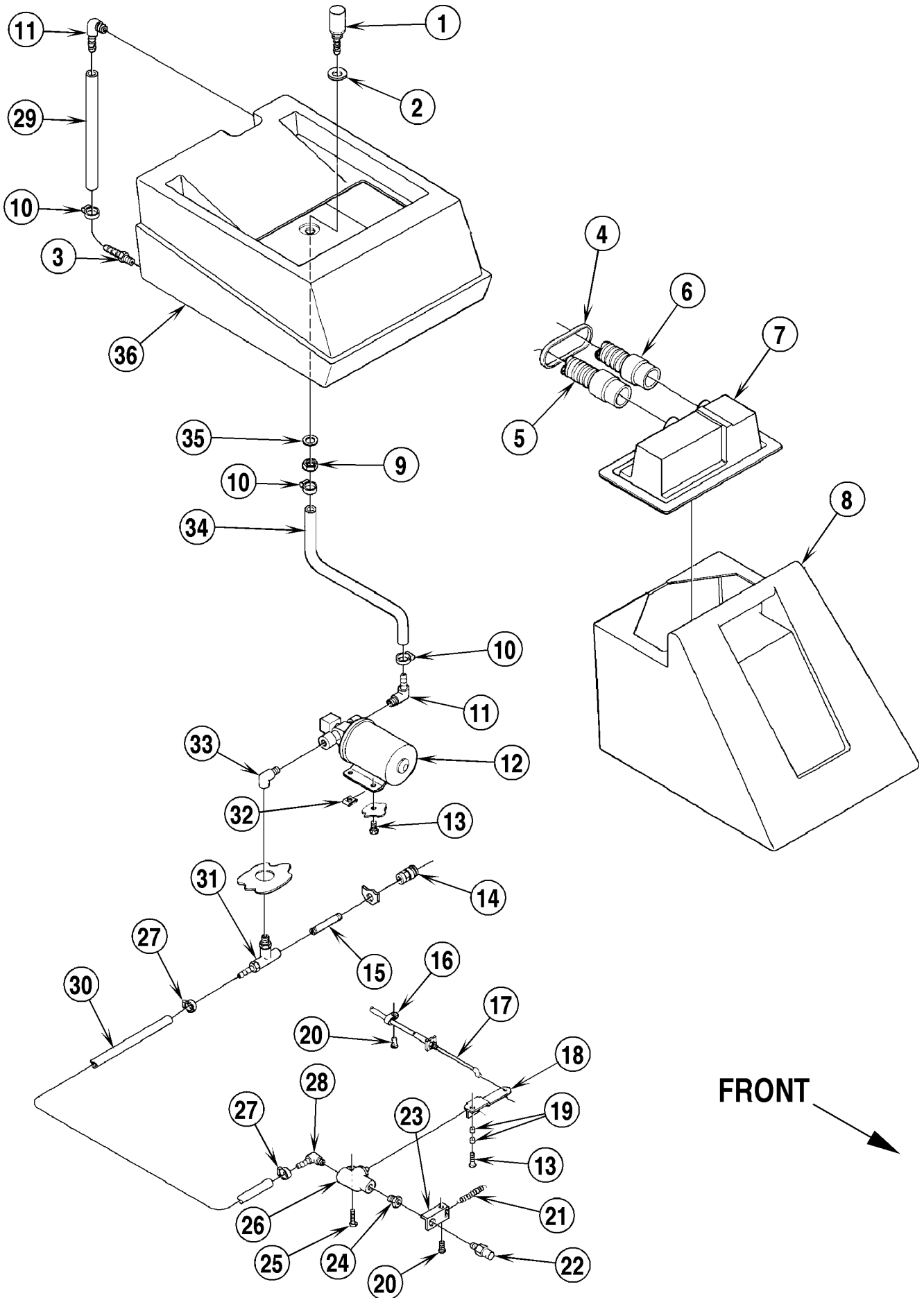


01-9	<b>BASE AND BRUSH</b>			
02-1	<b>AquaClean™ Classic</b>			<b>5</b>

Item	Ref. No.	Qty	Description
1	56002826	1	5/16-18 Hex Nyl Loc Nut Thin
2	56262635	1	Knob Assembly
3	56352829	1	Clamp
4	56398606	1	Spring
5	56262211	1	Vacuum Hose
6	56329145	1	Hose Clamp
7	56262656	1	Vacuum Motor 120V
*	56260950	1	Carbon Brush Set for Motor
8	56262598	1	Foam
9	56262546	3	5/16-18 Clamp Nut
10	56238148	1	Brush Motor 120V
11	56002037	3	5/16-18 x .88 Screw
12	56329098	1	Bushing
13	56262521	1	Rod
14	56262636	1	Base
15	56262531	1	Grommet
16	56002962	1	5/15-18 x .62 Shoulder Screw
17	56002220	1	5/16 Flat Washer
18	56003262	1	Retaining Ring
19	56262666	1	Arm
20	56392170	1	Recovery Hose
21	56262665	1	Vacuum Tool
22	56171095	2	Bearing
23	56003265	1	Retaining Ring
24	56262597	1	Brush Housing
25	56009012	8	10-24 x .38 HP5 Screw
26	56262650	1	Brush Assembly (#27- 36)**
27	56262648	1	Left Bearing Block
28	56003056	1	10-24 x .62 SS Phil Flat Hd Screw
29	56262649	1	Plug, Bearing
30	56262626	1	Left Bearing
31	56262646	1	Washer, Bearing
32	56003256	1	Retaining Ring
33	56262645	1	Washer, Bearing
34	56372773	1	Right Bearing
35	56262647	1	Right Bearing Block
36	56262559	1	Sheave
37	56264459	1	Guard
38	56262558	1	Sheave
39	56327476	1	Belt
40	56262557	1	Belt Guard
41	56009131	1	5/16-18 x .31 Set Screw
42	56002841	1	Nut, Hex Nyl Loc-Thin 3/8-16

\* = Not Shown

\*\* = Brush Core and Spindles are not available for field replacement.

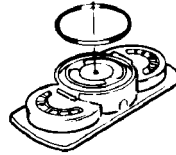


Item	Ref. No.	Qty	Description
1	56368725	1	Screen
2	56368776	1	Rubber Washer
3	56409507	1	Barb
4	56477613	2	Tie
5	56262211	1	Vacuum Hose
6	56392170	1	Recovery Hose
7	56262583	1	Cover Assembly
*	56262576	1	Replacement Gasket for Cover
8	56262581	1	Recovery Tank
9	56009099	1	5/8-18 Nut
10	56219932	3	Hose Clamp
11	56900069	2	Elbow Barb
12	56262117	1	Pump 120V <b>Note 1</b>
*	56264436	1	By-Pass Kit for Pump
*	56264435	1	Check Valve Kit for Pump
*	56249834	1	Diaphragm Kit for Pump
13	56009039	3	10-24 x 1/2 HP5 Screw
14	56262613	1	Quick Disconnect
15	56262712	1	Nipple
16	56481890	1	P-Clamp
17	56262543	1	Cable
18	56262654	1	Lever
19	56151092	2	Bushing
20	56009012	2	10-24 x .38 HP5 Screw
21	56330178	2	Spring
22	56262544	1	Nozzle
23	56262538	1	Support
24	56750677	1	Adapter
25	56009176	1	Scr, Hex Thd Form 10-24 x 1.00
26	56262596	1	Valve
27	56756364	2	Hose Clamp
28	56900285	1	Elbow Barb
29	56262663	1	Hose
30	56249342	1	Tube
31	56262641	1	Tee
32	56328855	2	Spring Nut
33	56900021	1	Elbow
34	56262180	1	Hose
35	56002022	1	5/8 Flat Washer
36	56262657	1	Solution Tank

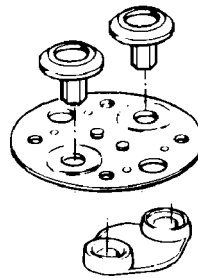
**Note 1:** The repair kits shown below are available for the pump item 12.



**By-Pass Kit:** PN 264436



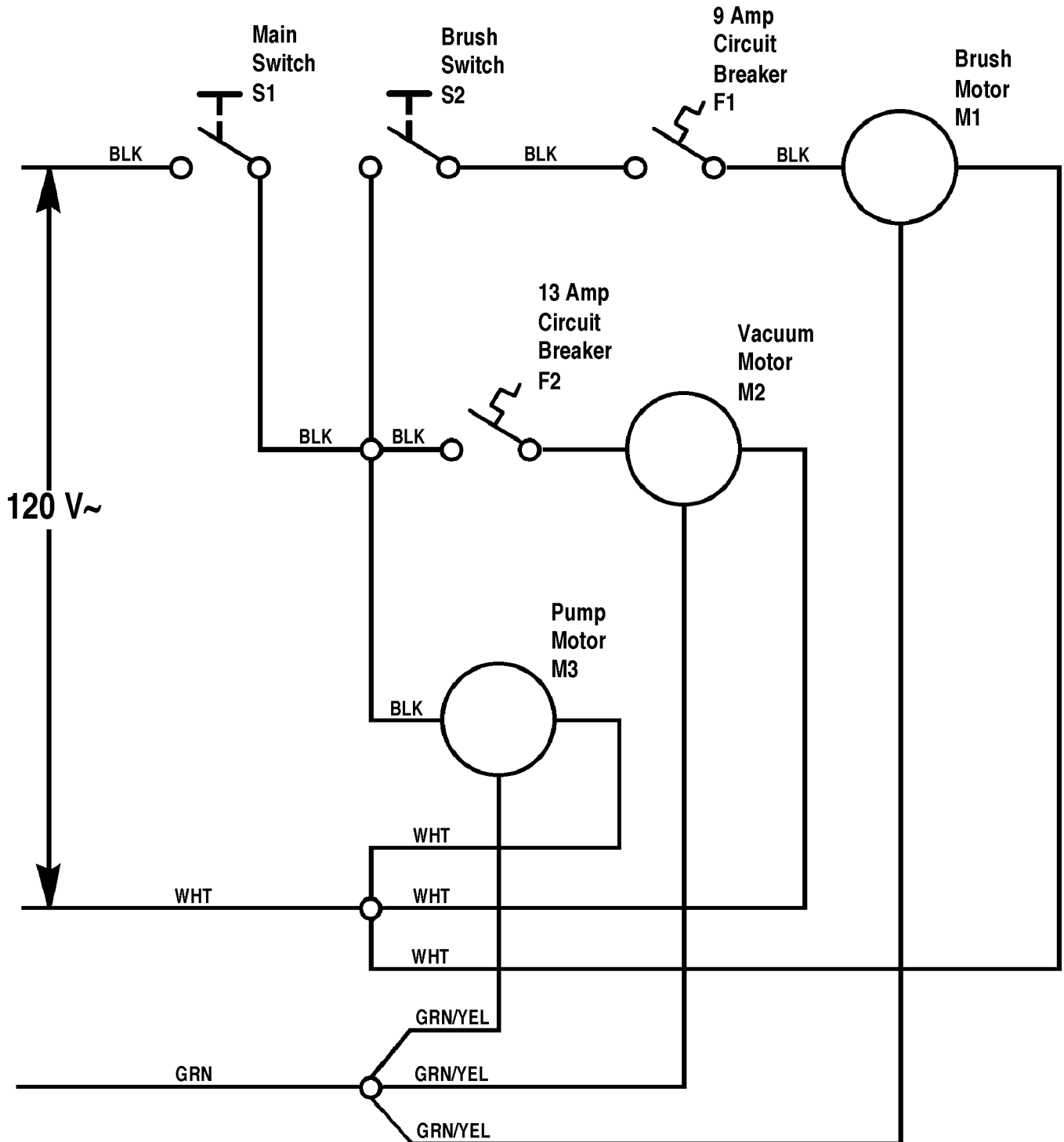
**Check Valve Kit:** PN 264435



**Diaphragm Kit:** PN 249834

\* = Not Shown





**Item Ref. No. Qty Description**

F1	56171550		9 Amp Circuit Breaker
F2	56168786		13 Amp Circuit Breaker
M1	56238148		Brush Motor
M2	56262656		Vacuum Motor
M3	56262117		Pump Motor
S1	56262551		Main Switch
S2	56262551		Brush Switch
*	56260071		Terminal Block

\* = Not Shown



Nilfisk-Advance, Inc.  
14600 21st Avenue North  
Plymouth, MN, 55447-3408  
[www.nilfisk-advance.com](http://www.nilfisk-advance.com)  
Phone: 800-989-2235  
Fax: 800-989-6566  
©2001 Nilfisk-Advance, Inc.,  
Plymouth, MN 55447-3408  
Printed in the U.S.A.