

Aquamatic Selectric™



PARTS LIST **Advance MODEL 56263500(Obsolete)**

This parts list is for machines after serial number 470048



Nilfisk
Advance

setting standards

revised 11/00 FORM NUMBER 56042255

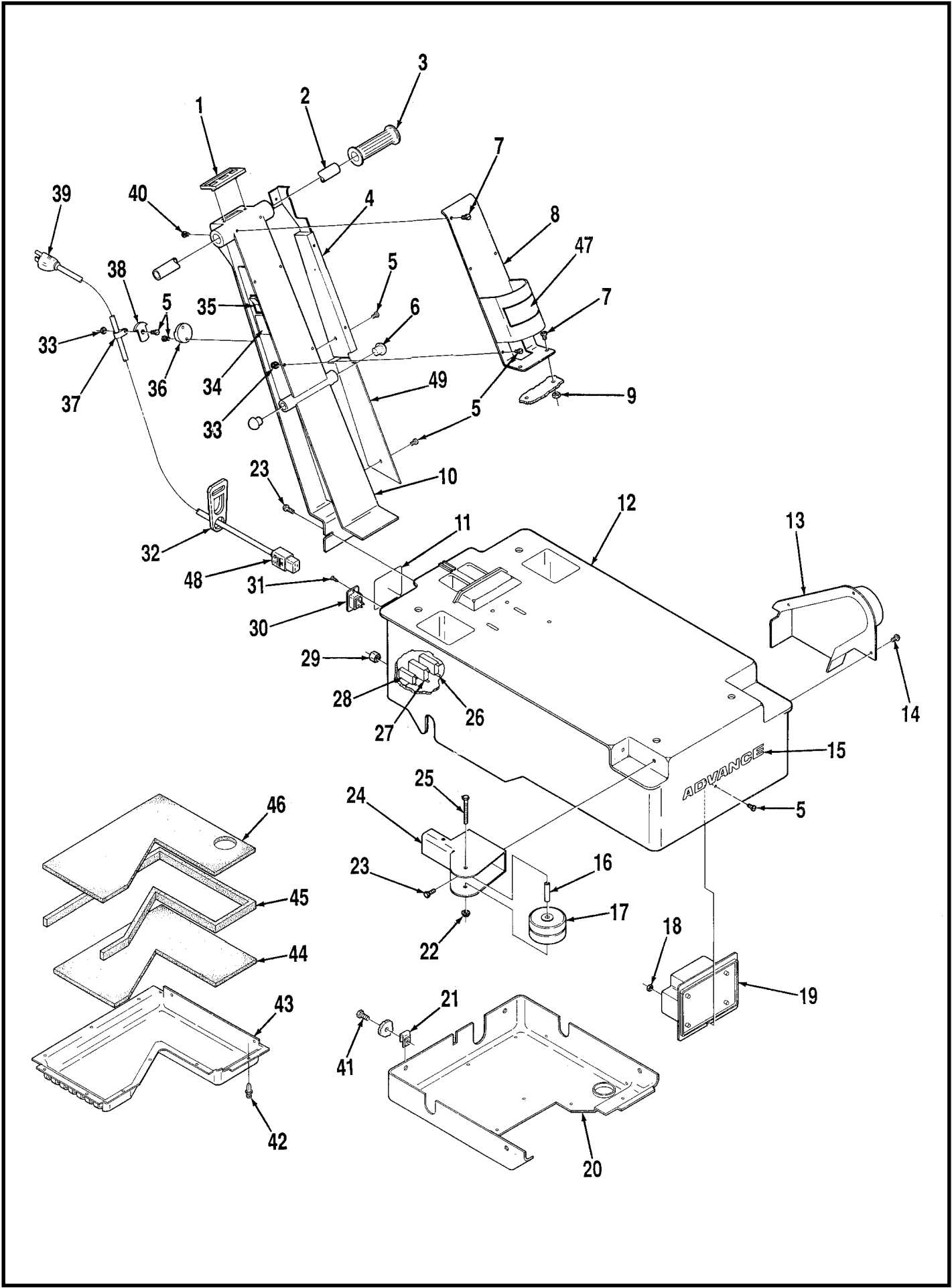
TABLE OF CONTENTS

| <u>DESCRIPTION</u> | <u>PAGE</u> |
|--|-------------|
| Chassis and Handle | 1-2 |
| Pivot Box Assembly | 3-4 |
| Drive System | 5-6 |
| Wiring Ladder Diagram | 7-8 |
| Wiring Diagram | 9-10 |
| Brush Lift Lever | 11-12 |
| Brush Motor and Pump | 13-14 |
| Vacuum Motor and Pick-Up Tool | 15-16 |
| Tank Assembly (before SN 503977) | 17-18 |
| Tank Assembly (after SN 503976) | 19-20 |

WHEN ORDERING PARTS

- * Use the 8 digit numbers from the "Ref. No." columns in this parts list.
- * Specify the model and serial number of the machine.
- * Use the space below to record the model and serial number for future reference.

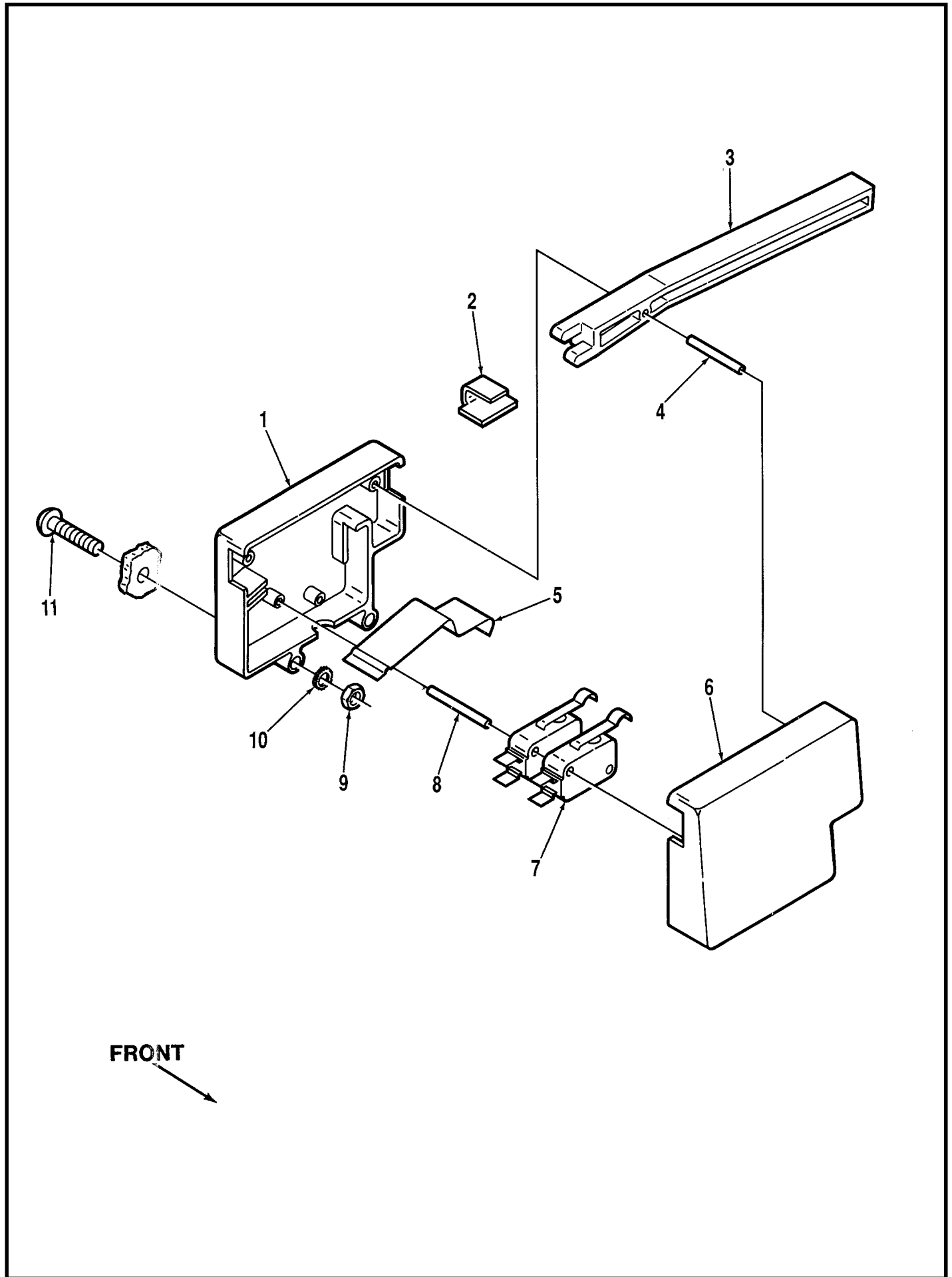
Model _____ Serial No. _____



CHASSIS AND HANDLE

| Item | Ref. No. | Qty | Description | Item | Ref. No. | Qty | Description |
|------|----------|-----|--------------------------|------|----------|-----|-------------------------------|
| 1 | 56263691 | 1 | Membrane Switch Assembly | 26 | 56168786 | 1 | 13A Circuit Breaker |
| | 56263694 | 1 | Membrane Switch | 27 | 56329177 | 1 | 6A Circuit Breaker |
| | 56263696 | 1 | Bracket | 28 | 56326512 | 1 | 2A Circuit Breaker |
| 2 | 56263576 | 1 | Handle Tube | 29 | 56263826 | 3 | Nut |
| 3 | 56388545 | 2 | Hand Grip | 30 | 56180272 | 1 | Connector TSB 741 |
| 4 | 56263577 | 1 | Handle Panel | 31 | | 2 | #6-32 x 1/2 Screw |
| 5 | | 11 | #8-32 x 1/2 Screw | | | 2 | #6-32 Nut |
| 6 | 56263825 | 2 | Plug | 32 | 56262535 | 1 | Belt Clip |
| 7 | | 4 | 1/4-20 x 1/2 Screw | 33 | | 7 | #8-32 Acorn Nut |
| 8 | 56263831 | 1 | Support | 34 | 56015132 | 1 | Decal, Power |
| 9 | | 2 | 1/4-20 Washer | 35 | 56262551 | 1 | Power Switch |
| * | 56159387 | 2 | Brass Nut | 36 | 56171800 | 1 | Wall Plate |
| 10 | 56263847 | 1 | Handle | 37 | 56342319 | 1 | P-Clamp |
| 11 | 56015170 | 1 | Decal, Instructions | 38 | 56171801 | 1 | Cord Mount |
| 12 | 56263521 | 1 | Chassis | 39 | 56263686 | 1 | Power Cord (w/#32 & 48) |
| 13 | 56263550 | 1 | Belt Cover | 40 | | 2 | #10-24 x 3/4 Screw |
| 14 | | 3 | #10-24 x 1/2 Screw | * | 56263700 | 1 | Main Wiring Harness |
| 15 | 56014794 | 1 | Decal, Advance | 41 | | 4 | 1/4-20 x 1/2 Screw |
| 16 | 56263570 | 2 | Bushing | 42 | 56263843 | 11 | Panel Retainer |
| 17 | 56323722 | 4 | Wheel | 43 | 56263834 | 1 | Muffler Housing |
| 18 | | 1 | #8-32 Nut | | 56263836 | 1 | Muffler Assembly (#20, 42-46) |
| 19 | 56263702 | 1 | Control Assembly | 44 | 56263835 | 1 | Foam |
| 20 | 56263588 | 1 | Bottom Cover | 45 | 56263839 | 1 | Foam |
| 21 | 56323193 | 4 | Nut Clamp | 46 | 56263838 | 1 | Foam |
| 22 | | 4 | 1/4-20 Whiz Nut | 47 | 56014781 | 1 | Decal, Warning |
| 23 | | 6 | 1/4-20 x 3/4 Screw | 48 | 56180270 | 1 | Connector |
| 24 | 56263560 | 1 | Right Bracket | 49 | 56263836 | 1 | Lower Panel |
| * | 56263813 | 1 | Left Bracket | * | 56900144 | 1 | Button Plug |
| 25 | | 2 | 1/4-20 x 2-1/2 Screw | | | | |

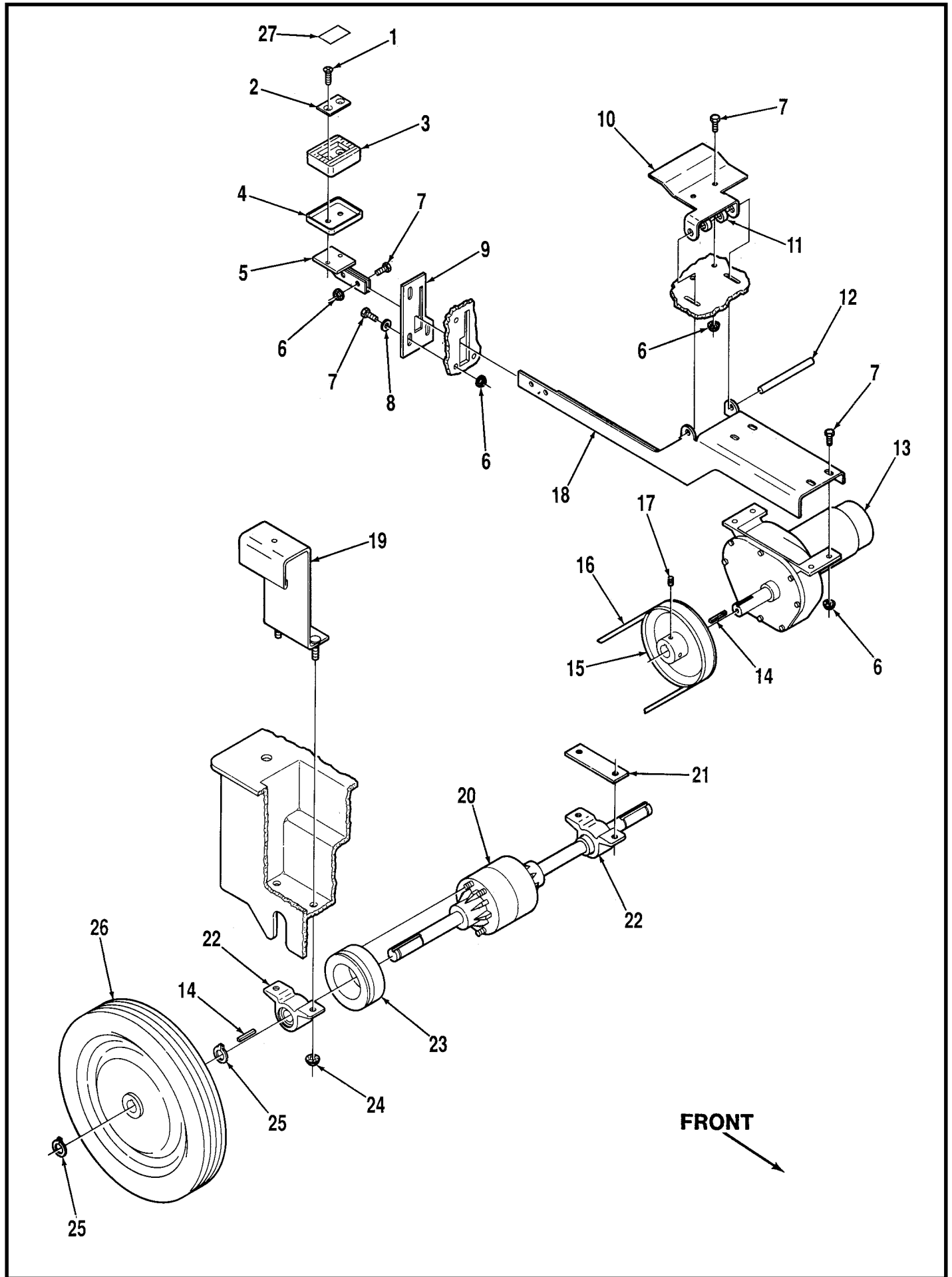
* = Not Shown



PIVOT BOX ASSEMBLY

| Item | Ref. No. | Qty | Description |
|------|----------|-----|-----------------------|
| 1 | 56263645 | 1 | Pivot Box |
| 2 | 56263580 | 1 | Clip |
| 3 | 56263578 | 2 | Lever |
| 4 | 56002763 | 2 | Pin |
| 5 | 56263648 | 1 | Spring Plate |
| 6 | 56263646 | 1 | Pivot Box Cover |
| 7 | 56262027 | 2 | Switch TSB 729 |
| 8 | 56002765 | 2 | Pin |
| 9 | | 2 | #10-24 Nut |
| 10 | | 2 | #10 Lock Washer |
| 11 | | 2 | #10-24 x 1 Screw |
| * | 56263557 | 2 | Wire White/Green |
| * | 56263817 | 2 | Wire Red/Green |

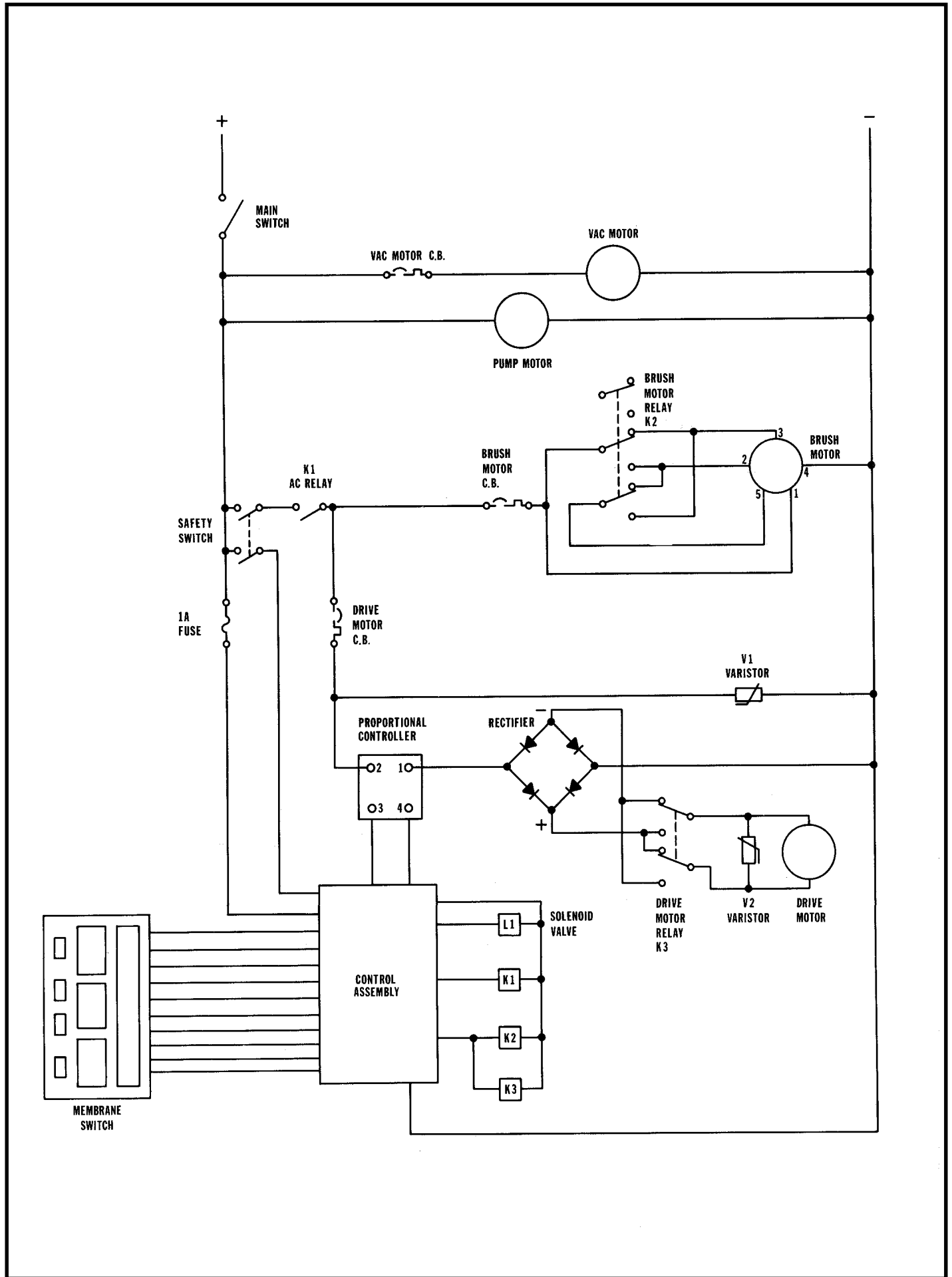
* = Not Shown



DRIVE SYSTEM

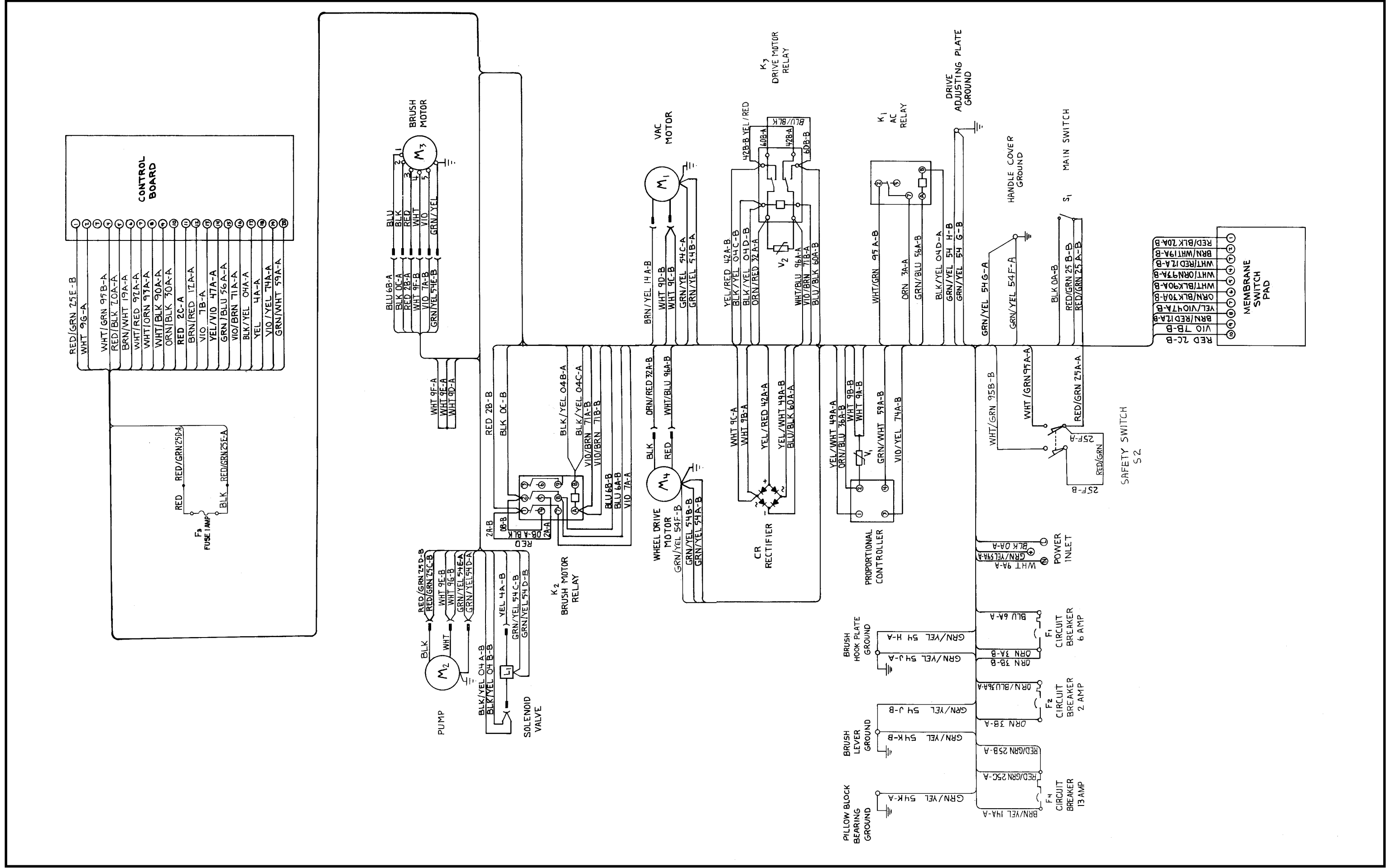
| Item | Ref. No. | Qty | Description |
|------|----------|-----|---|
| 1 | | 2 | 1/4-20 x 3/4 Screw |
| 2 | 56365081 | 1 | Plate |
| 3 | 56365082 | 1 | Pad |
| 4 | 56365083 | 1 | Cup |
| 5 | 56263641 | 1 | Pedal |
| 6 | | 11 | 1/4-20 Whiz Nut |
| 7 | | 11 | 1/4-20 x 3/4 Screw |
| 8 | | 3 | 1/4 Washer |
| 9 | 56263536 | 1 | Adjusting Plate |
| 10 | 56263531 | 1 | Motor Bracket |
| 11 | 56331076 | 2 | Collar |
| 12 | 56263532 | 1 | Pin |
| 13 | 56263597 | 1 | Drive Motor |
| * | 56263904 | 1 | Carbon Brush and Spring Set for Drive Motor |
| 14 | 56443719 | 3 | Key |
| 15 | 56263527 | 1 | Sheave |
| 16 | 56471087 | 1 | Belt |
| 17 | | 2 | 1/4-20 x 1/2 Set Screw |
| 18 | 56263540 | 1 | Motor Mount |
| 19 | 56263538 | 2 | Bolt Anchor |
| 20 | 56263537 | 1 | Differential |
| 21 | 56263827 | 1 | Spacer |
| 22 | 56263525 | 2 | Pillow Block |
| 23 | 56263533 | 1 | Sheave |
| 24 | | 4 | 5/16-18 Whiz Nut |
| 25 | 56900884 | 4 | Retaining Ring |
| 26 | 56263583 | 2 | Wheel |
| 27 | 56015175 | 1 | Decal, Pedal |

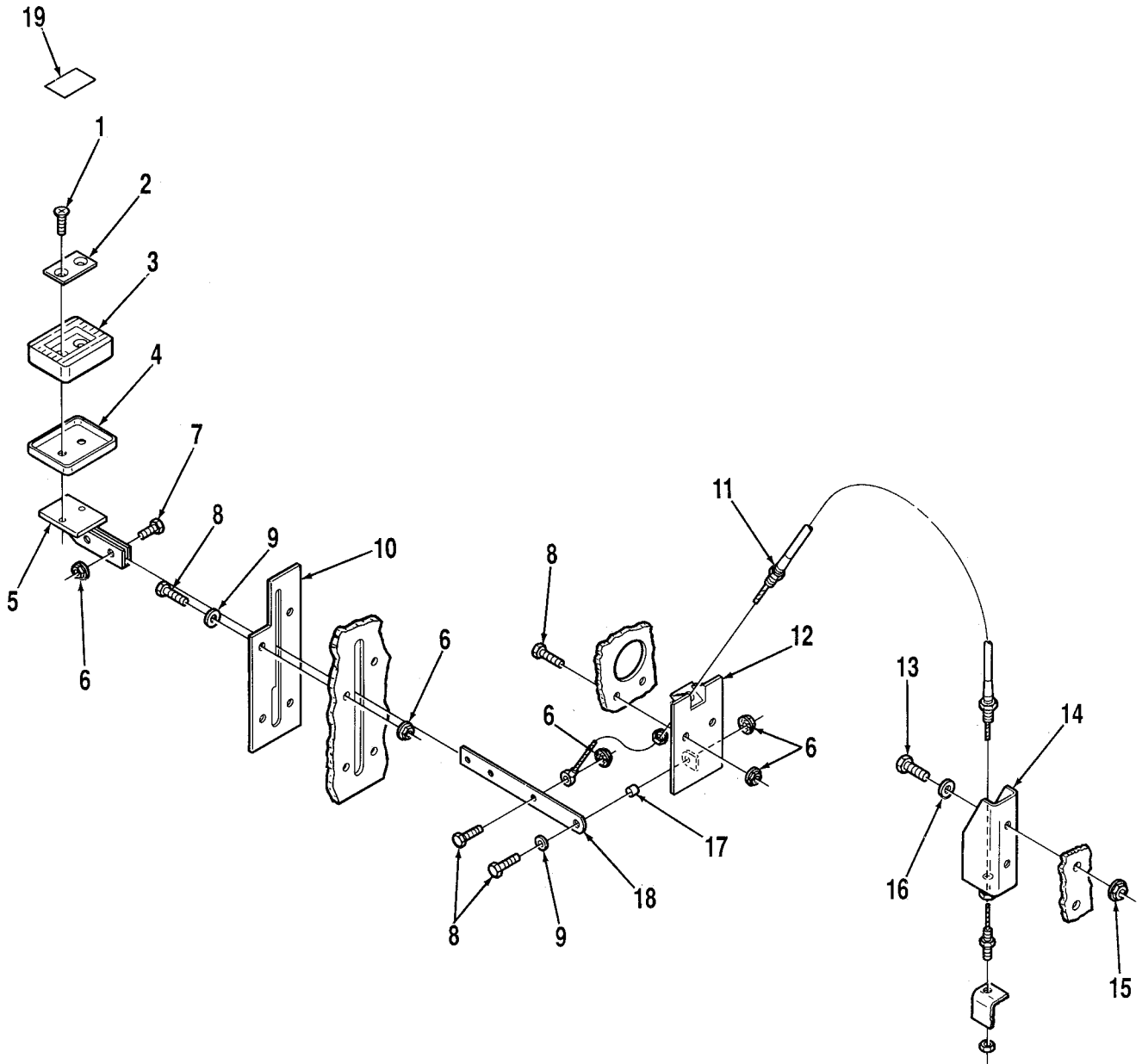
* = Not Shown



WIRING LADDER DIAGRAM

| Ref. No. | Qty | Description |
|----------|-----|----------------------------------|
| 56262551 | 1 | Main Switch |
| 56168786 | 1 | Vacuum Motor Circuit Breaker 13A |
| 56263601 | 1 | Vacuum Motor |
| 56262593 | 1 | Pump Motor |
| 56262027 | 2 | Safety Switch TSB 729 |
| 56263596 | 1 | AC Relay |
| 56329177 | 1 | Brush Motor Circuit Breaker 6A |
| 56263595 | 1 | Brush Motor Relay |
| 56263542 | 1 | Brush Motor |
| 56263711 | 1 | Fuse 1A |
| 56326512 | 1 | Drive Motor Circuit Breaker 2A |
| 56263592 | 1 | Varistor |
| 56263593 | 1 | Proportional Controller |
| 56180163 | 1 | Rectifier |
| 56263594 | 1 | Drive Motor Relay |
| 56755897 | 1 | Varistor |
| 56263597 | 1 | Drive Motor |
| 56263691 | 1 | Membrane Switch |
| 56263702 | 1 | Control Assembly |
| 56263604 | 1 | Solenoid Valve |
| 56263700 | 1 | Main Wiring Harness |

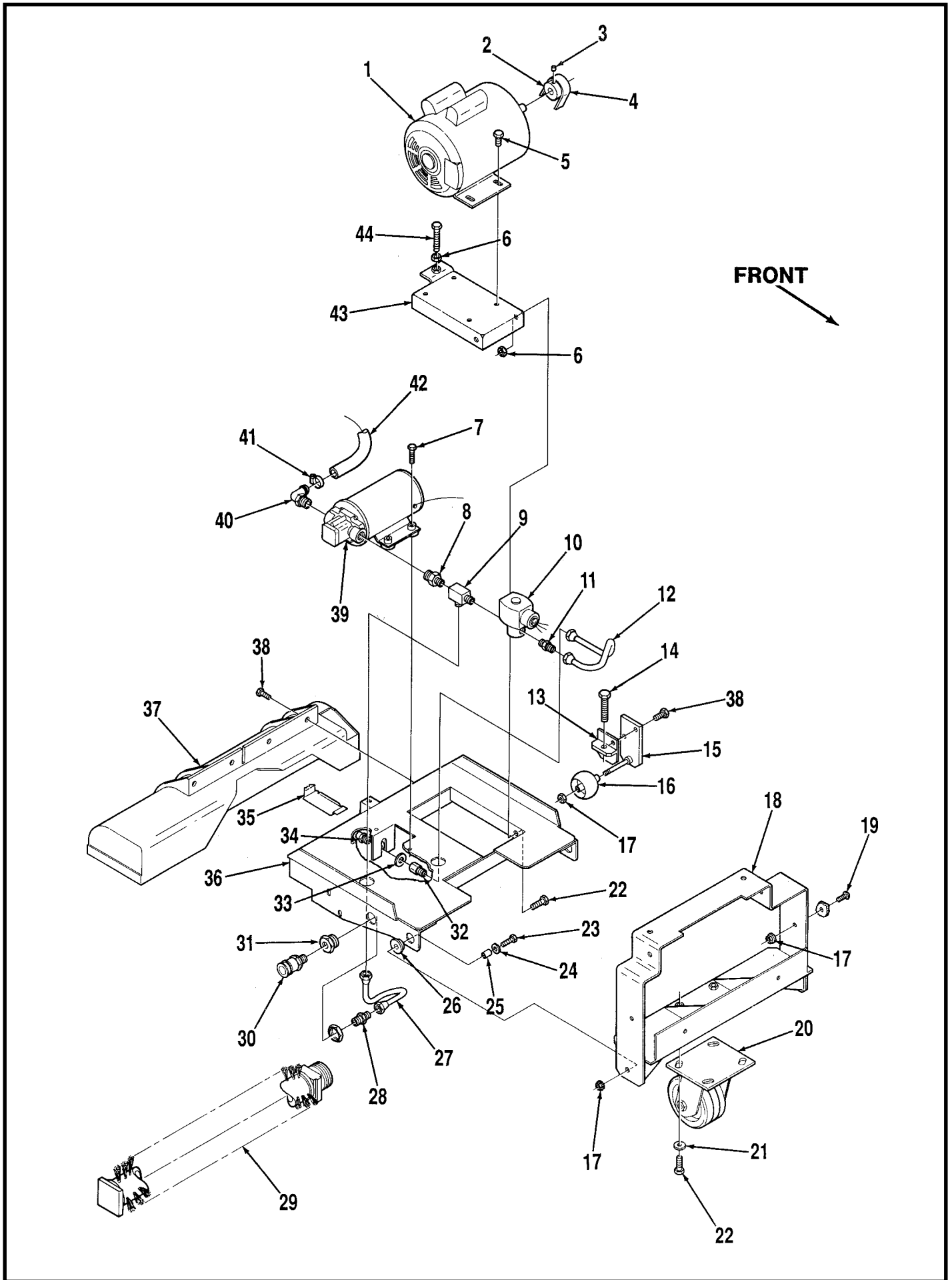




FRONT
↘

BRUSH LIFT LEVER

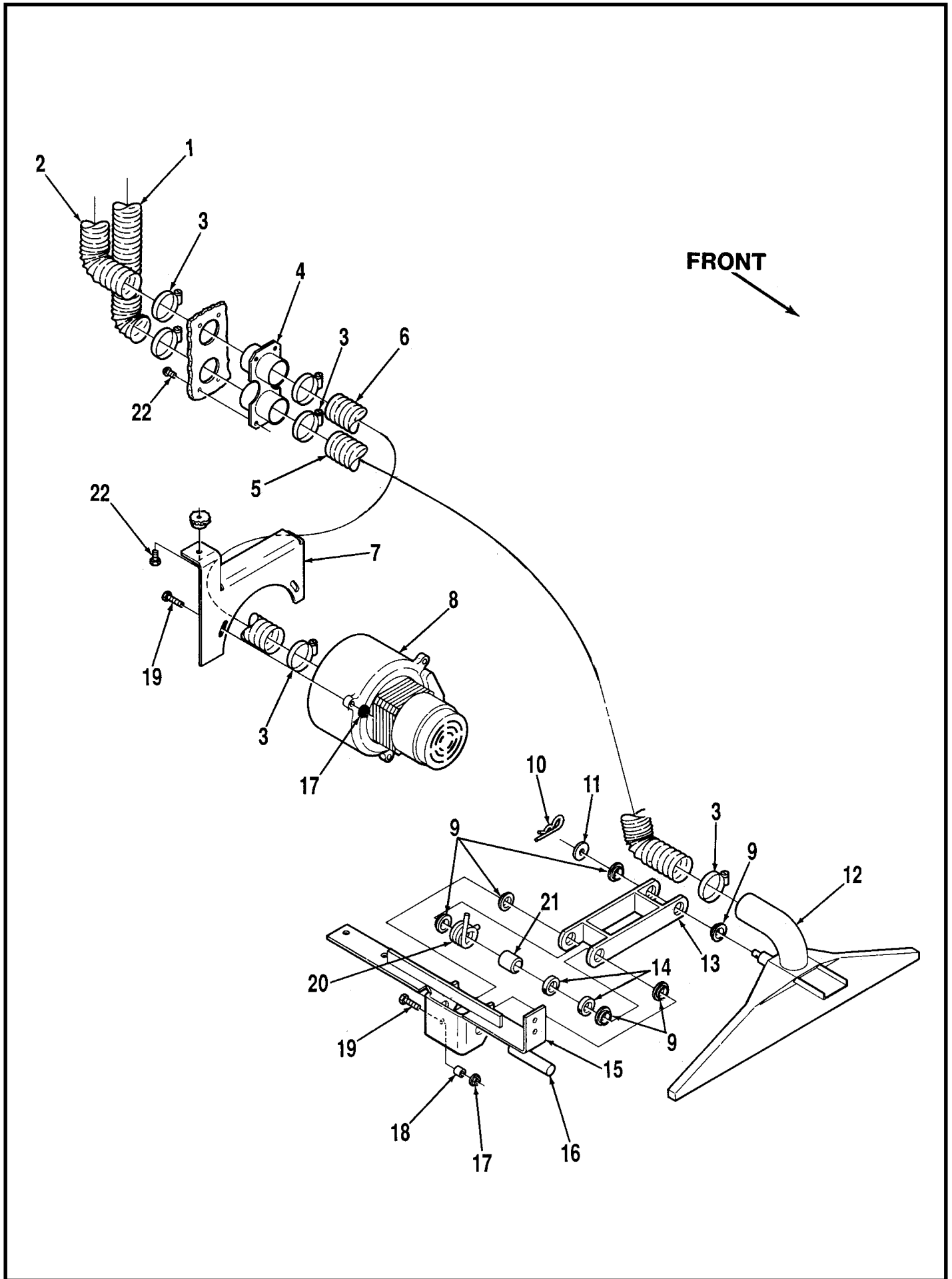
| Item | Ref. No. | Qty | Description |
|------|----------|-----|--------------------|
| 1 | | 2 | 1/4-20 x 3/4 Screw |
| 2 | 56365081 | 1 | Plate |
| 3 | 56365082 | 1 | Pad |
| 4 | 56365083 | 1 | Cup |
| 5 | 56263641 | 1 | Pedal |
| 6 | | 10 | 1/4-20 Whiz Nut |
| 7 | | 2 | 1/4-20 x 3/4 Screw |
| 8 | | 10 | 1/4-20 x 1 Screw |
| 9 | | 5 | 1/4 Washer |
| 10 | 56263708 | 1 | Plate |
| 11 | 56263640 | 1 | Cable w/Nuts |
| 12 | 56263639 | 1 | Pivot Bracket |
| 13 | | 2 | 5/16-18 x 1 Bolt |
| 14 | 56263638 | 1 | Bracket |
| 15 | | 2 | 5/16-18 Whiz Nut |
| 16 | | 2 | 5/16 Washer |
| 17 | 56379298 | 1 | Bushing |
| 18 | 56263632 | 1 | Arm |
| 19 | 56015174 | 1 | Decal, Pedal |



BRUSH MOTOR & PUMP

| Item | Ref. No. | Qty | Description | Item | Ref. No. | Qty | Description |
|------|----------|-----|----------------------------|------|----------|-----|------------------------|
| 1 | 56263542 | 1 | Brush Motor TSB 588 | 27 | 56263568 | 1 | Tube |
| 2 | 56263544 | 1 | Sheave | 28 | 56263556 | 1 | Adapter |
| 3 | | 1 | 1/4-20 x 1/4 Set Screw | 29 | 56263548 | 1 | Brush Assembly |
| 4 | 56263676 | 1 | Belt | * | 56262559 | 1 | Sheave |
| 5 | | 4 | 5/16-18 x 3/4 Bolt | * | 56262625 | 1 | Right Bearing Block |
| 6 | | 3 | 5/16-18 Nut | * | 56262624 | 1 | Left Bearing Block |
| 7 | | 4 | #10-24 x 1-1/4 Screw | * | 56262626 | 1 | Right Bearing |
| 8 | 56263810 | 1 | Reducer | * | 56372773 | 1 | Left Bearing |
| 9 | 56263552 | 1 | Tee | 30 | 56249568 | 1 | Quick Disconnect |
| 10 | 56100039 | 1 | Solenoid Valve | 31 | 56745543 | 1 | Bulkhead Adapter w/Nut |
| 11 | 56263553 | 1 | Adapter | 32 | 56263551 | 1 | Adapter |
| 12 | 56263569 | 1 | Tube | 33 | | 2 | 7/16 Washer |
| 13 | 56263822 | 2 | Lift Bracket | 34 | 56250042 | 1 | Nozzle |
| 14 | | 2 | 3/8-16 x 2 Bolt | 35 | 56262600 | 1 | Guard |
| 15 | 56263097 | 2 | Axle | 36 | 56263609 | 1 | Brush Bracket |
| 16 | 56323025 | 2 | Wheel | 37 | 56263555 | 1 | Brush Housing |
| 17 | | 8 | 1/4-20 Nut | 38 | | 8 | 1/4-20 x 3/4 Screw |
| 18 | 56263617 | 1 | Pivot Bracket | 39 | 56262593 | 1 | Pump |
| 19 | | 4 | 1/4-20 x 3/4 Screw | 40 | 56900069 | 1 | Elbow |
| 20 | 56365629 | 1 | Caster | 41 | 56219932 | 2 | Hose Clamp |
| 21 | | 4 | 5/16 Washer | 42 | 56263673 | 1 | Solution Hose |
| 22 | | 4 | 5/16-18 x 1 Bolt | 43 | 56263543 | 1 | Motor Mount |
| 23 | | 2 | 1/4-20 x 1 Screw | 44 | | 1 | 5/16-18 x 2 Bolt |
| 24 | | 2 | 1/4 Washer | | | | |
| 25 | 56244941 | 2 | Bushing | | | | |
| 26 | 56261145 | 2 | Bearing | | | | |

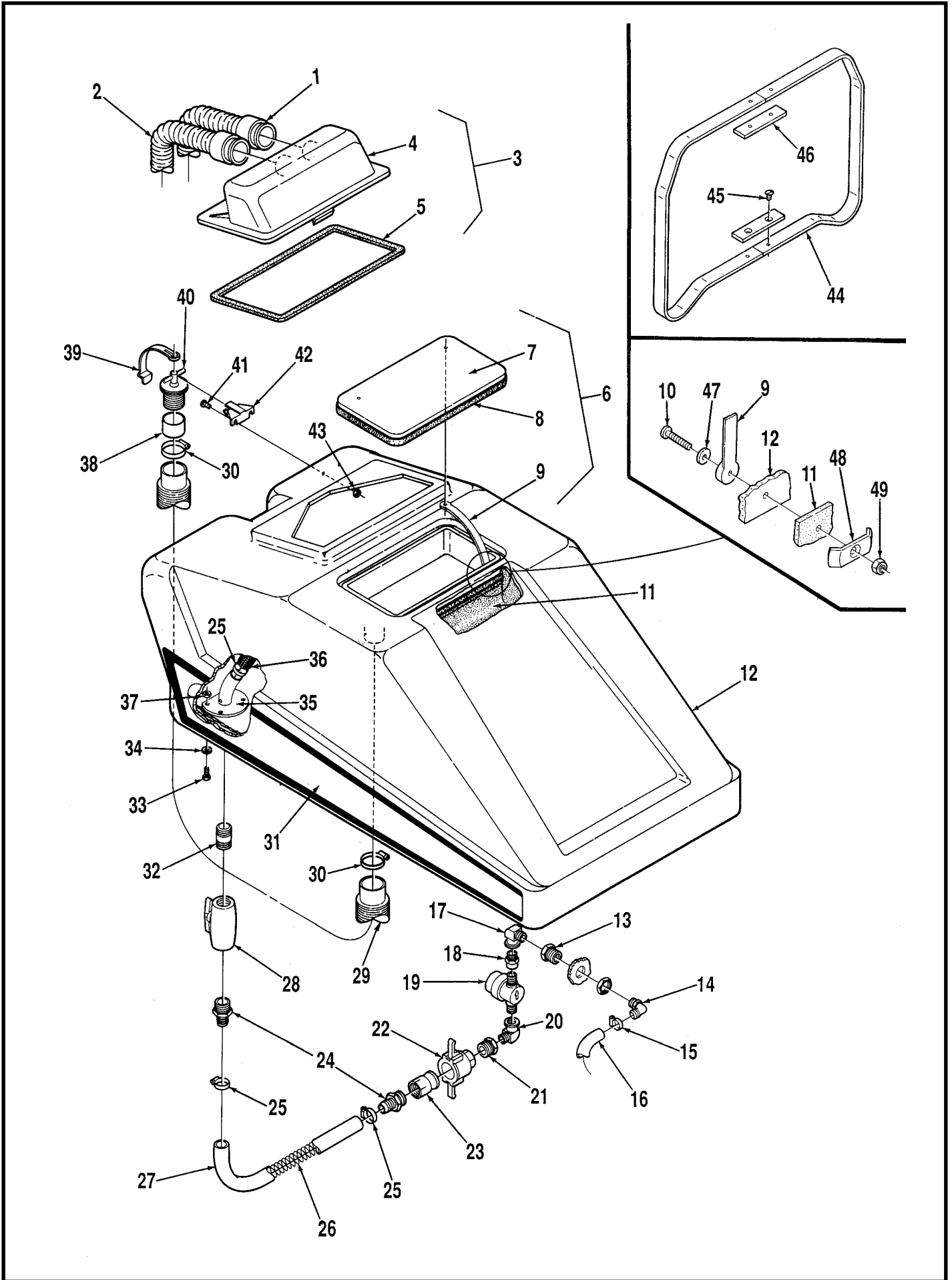
* = Not Shown



VACUUM MOTOR & PICK-UP TOOL

| Item | Ref. No. | Qty | Description |
|------|----------|-----|-----------------------------------|
| 1 | 56263591 | 1 | Recovery Hose |
| 2 | 56263671 | 1 | Vacuum Hose |
| 3 | 56329145 | 6 | Hose Clamp |
| 4 | 56263627 | 1 | Hose Adapter |
| 5 | 56263670 | 1 | Recovery Hose |
| 6 | 56263631 | 1 | Vacuum Hose |
| 7 | 56263562 | 1 | Motor Mount |
| 8 | 56262584 | 1 | Vacuum Motor |
| * | 56260950 | 1 | Carbon Brush Set for Vacuum Motor |
| | 56263649 | 1 | Pick-Up Tool Assembly (#9-21) |
| 9 | 56100084 | 6 | Bearing |
| 10 | 56321406 | 1 | Cotter Hair Pin |
| 11 | 56180200 | 1 | Washer |
| 12 | 56263566 | 1 | Pickup Tool |
| 13 | 56263564 | 1 | Bracket |
| 14 | 56449228 | 2 | Collar |
| 15 | 56263654 | 1 | Pivot Bracket |
| 16 | 56263652 | 1 | Pivot Pin |
| 17 | | 3 | 1/4-20 Whiz Nut |
| 18 | 56321532 | 1 | Bushing |
| 19 | | 3 | 1/4-20 x 1 Screw |
| 20 | 56263563 | 1 | Torsion Spring |
| 21 | 56263653 | 1 | Bushing |
| 22 | | 5 | 1/4-20 x 1/2 Screw |

* = Not Shown

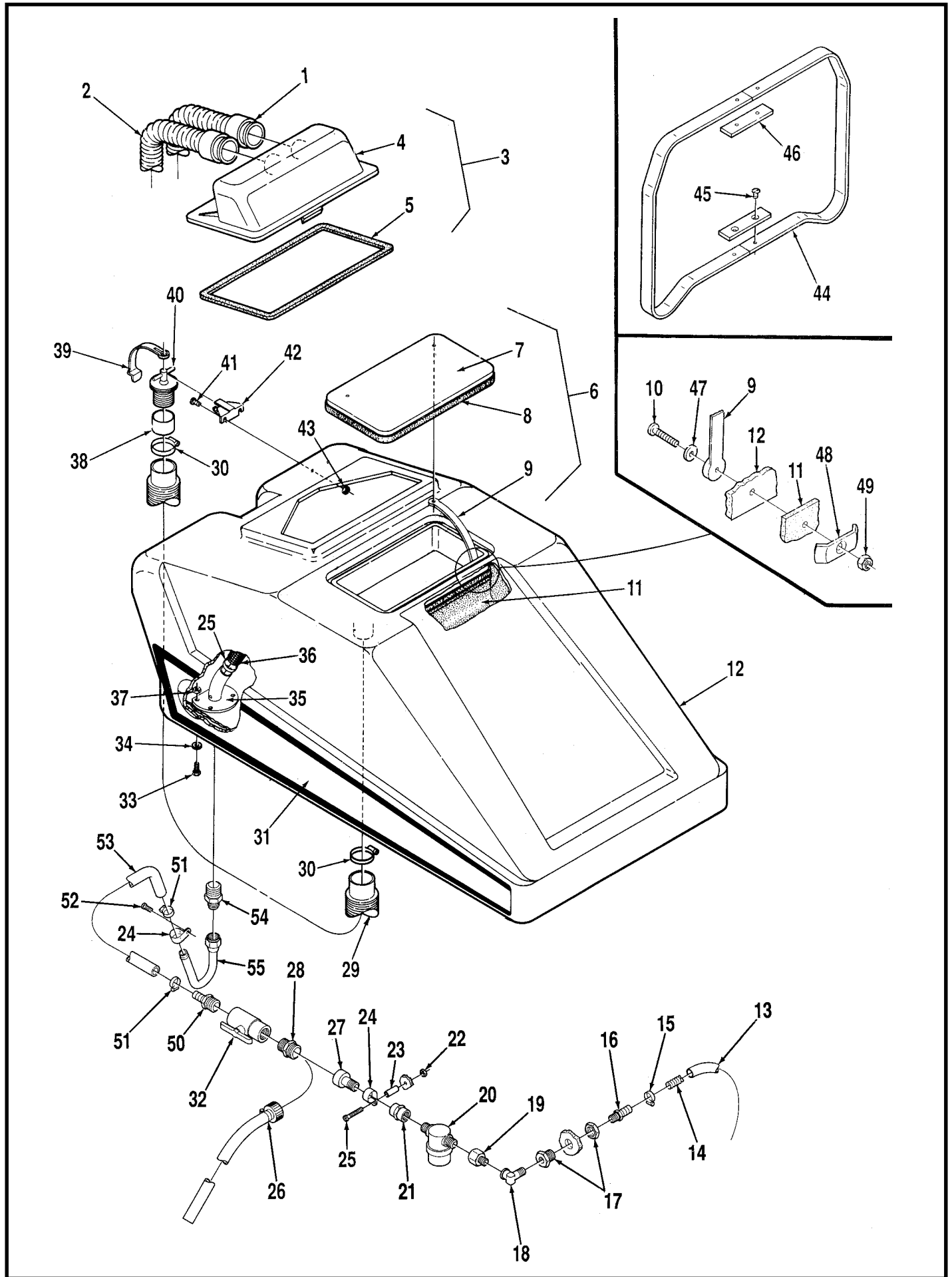


TANK ASSEMBLY (before serial number 503976)

| Item | Ref. No. | Qty | Description | Item | Ref. No. | Qty | Description |
|------|----------|-----|------------------------|------|----------|-----|-----------------------------------|
| 1 | 56263591 | 1 | Recovery Hose | 32 | 56458433 | 1 | Coupling |
| 2 | 56263671 | 1 | Vacuum Hose | 33 | | 4 | 1/4-20 x 5/8 Brass Screw |
| 3 | 56262583 | 1 | Dome Assembly (#4,5) | 34 | 56900737 | 8 | Sealing Washer |
| 4 | 56262577 | 1 | Cover | 35 | 56263624 | 1 | Tube Weldment |
| 5 | 56262576 | 1 | Gasket | * | 56263848 | 1 | Tube Gasket |
| 6 | 56261391 | 1 | Cover Assembly (#7-9) | 36 | 56263668 | 1 | Tube |
| 7 | 56261394 | 1 | Cover | 37 | | 4 | 1/4-20 Brass Nut |
| 8 | 56261399 | 1 | Gasket | 38 | 56376940 | 1 | Spacer |
| 9 | 56263379 | 2 | Strap | 39 | 56261378 | 1 | Strap |
| 10 | 56376614 | 4 | Screw | 40 | 56376948 | 1 | T-Plug |
| * | | 4 | #10-32 x 1/2 Screw | 41 | | 2 | #10-24 x 1/2 Brass Screw |
| 11 | 56263606 | 1 | Bladder | 42 | 56386058 | 1 | Hanger |
| 12 | 56263581 | 1 | Tank | 43 | | 2 | #10-24 Brass Nut |
| 13 | 56745543 | 1 | Bulkhead Fitting w/Nut | * | 56900737 | 2 | Sealing Washer |
| 14 | 56263809 | 1 | Elbow Barb | | 56263840 | 2 | Tank Support Assembly (#44-46) |
| 15 | 56219932 | 2 | Hose Clamp | 44 | 56263841 | 4 | Tank Support |
| 16 | 56263673 | 1 | Solution Hose | 45 | | 8 | 1/4-20 x 1/2 Flat Head Screw |
| * | 56263844 | 4 | Tube | 46 | 56263842 | 4 | Plate |
| 17 | 56369632 | 1 | Elbow | 47 | 56249992 | 4 | Washer |
| 18 | 56759072 | 1 | Adapter | 48 | 56171108 | 4 | Clamp |
| 19 | 56260905 | 1 | Strainer | 49 | 56329606 | 4 | Nut |
| 20 | 56900021 | 1 | Elbow | | | | |
| 21 | 56751686 | 1 | Bushing | | | | |
| 22 | 56263633 | 1 | Cam Fitting | | | | |
| 23 | 56263634 | 1 | Groove Fitting | | | | |
| 24 | 56444006 | 2 | Barb | | | | |
| 25 | 56112771 | 3 | Hose Clamp | | | | |
| 26 | 56245010 | 1 | Spring | | | | |
| 27 | 56263575 | 1 | Solution Drain Hose | | | | |
| 28 | 56263637 | 1 | Valve | | | | |
| 29 | 56386035 | 1 | Recovery Drain Hose | | | | |
| 30 | 56329145 | 2 | Hose Clamp | | | | |
| 31 | 56015036 | 1 | Decal, Right Side | | | | |
| * | 56015039 | 1 | Decal, Left Side | | | | |

* = Not Shown

Use this page for machines with serial number 503976 and before. For machines with serial number 503977 and after, see page 20.



TANK ASSEMBLY (after serial number 503977)

| Item | Ref. No. | Qty | Description | Item | Ref. No. | Qty | Description |
|------|----------|-----|--------------------------|------|----------|-----|-----------------------------------|
| 1 | 56263591 | 1 | Recovery Hose | 35 | 56263624 | 1 | Tube Weldment |
| 2 | 56263671 | 1 | Vacuum Hose | * | 56263848 | 1 | Tube Gasket |
| 3 | 56262583 | 1 | Dome Assembly (#4,5) | 36 | 56263668 | 1 | Tube |
| 4 | 56262577 | 1 | Cover | 37 | | 4 | 1/4-20 Brass Nut |
| 5 | 56262576 | 1 | Gasket | 38 | 56376940 | 1 | Spacer |
| 6 | 56261391 | 1 | Cover Assembly (#7-9) | 39 | 56261378 | 1 | Strap |
| 7 | 56261394 | 1 | Cover | 40 | 56376948 | 1 | T-Plug |
| 8 | 56261399 | 1 | Gasket | 41 | | 2 | #10-24 x 1/2 Brass Screw |
| 9 | 56263379 | 2 | Strap | 42 | 56386058 | 1 | Hanger |
| 10 | 56376614 | 4 | Screw | 43 | | 2 | #10-24 Brass Nut |
| * | | 4 | #10-32 x 1/2 Screw | * | 56900737 | 2 | Sealing Washer |
| 11 | 56263606 | 1 | Bladder | | 56263840 | 2 | Tank Support Assembly (#44-46) |
| 12 | 56263581 | 1 | Tank | | | | |
| 13 | 56263845 | 1 | Tube 23" | 44 | 56263841 | 4 | Tank Support |
| 14 | 56263857 | 1 | Tube 26" | 45 | | 8 | 1/4-20 x 1/2 Flat Head Screw |
| 15 | 56219932 | 2 | Hose Clamp | 46 | 56263842 | 4 | Plate |
| 16 | 56373456 | 1 | Barb | 47 | 56249992 | 4 | Washer |
| 17 | 56745543 | 1 | Bulkhead Fitting | 48 | 56171108 | 4 | Clamp |
| 18 | 56369632 | 1 | Elbow | 49 | 56329606 | 4 | Nut |
| 19 | 56759072 | 1 | Adapter | 50 | 56118117 | 1 | Barb |
| 20 | 56260905 | 1 | Strainer | 51 | 56112771 | 2 | Hose Clamp |
| 21 | 56757289 | 1 | Coupler | 52 | | 1 | #10-24 x 1/2 Screw |
| 22 | | 2 | #10-24 Lock Nut | 53 | 56260930 | 1 | Hose |
| 23 | 56263856 | 1 | Spacer | 54 | 56263849 | 1 | Adapter |
| 24 | 56442003 | 1 | P-Clamp | 55 | 56263850 | 1 | Tube |
| 25 | | 1 | #10-24 x 2 Screw | | | | |
| 26 | 56263854 | 1 | Hose Assembly | | | | * = Not Shown |
| 27 | 56263852 | 1 | Coupler | | | | |
| 28 | 56263851 | 1 | Adapter | | | | |
| 29 | 56386035 | 1 | Recovery Drain Hose | | | | |
| 30 | 56329145 | 2 | Hose Clamp | | | | |
| 31 | 56015036 | 1 | Decal, Right Side | | | | |
| * | 56015039 | 1 | Decal, Left Side | | | | |
| 32 | 56263853 | 1 | Valve | | | | |
| 33 | | 4 | 1/4-20 x 5/8 Brass Screw | | | | |
| 34 | 56900737 | 8 | Sealing Washer | | | | |

Use this page for machines with serial number 503977 and after. For machines with serial number 503976 and before, see page 18.



Nilfisk-Advance, Inc.
14600 21st Avenue North
Plymouth, MN, 55447-3408
www.nilfisk-advance.com
Phone: 800-989-2235
Fax: 800-989-6566
©2000 Nilfisk-Advance, Inc.,
Plymouth, MN 55447-3408
Printed in the U.S.A.