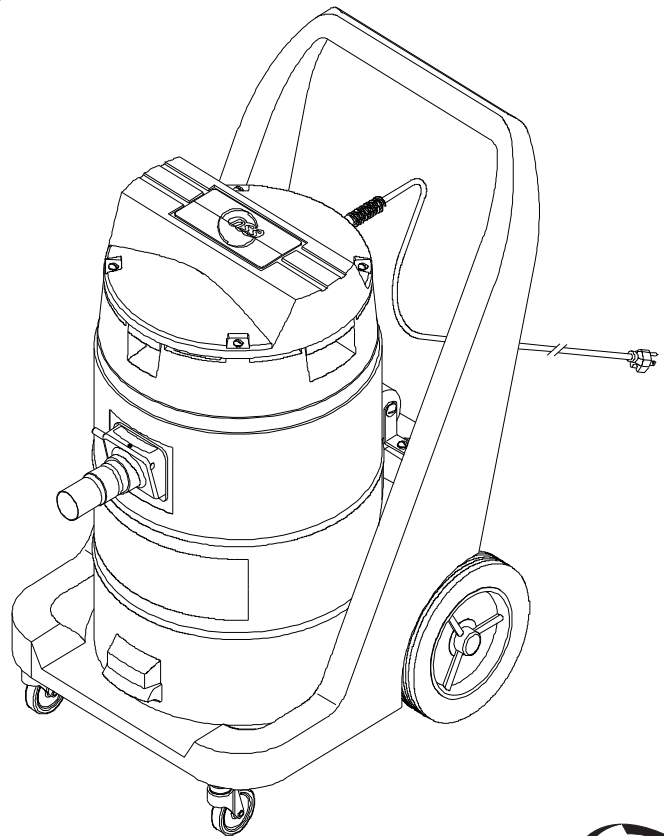
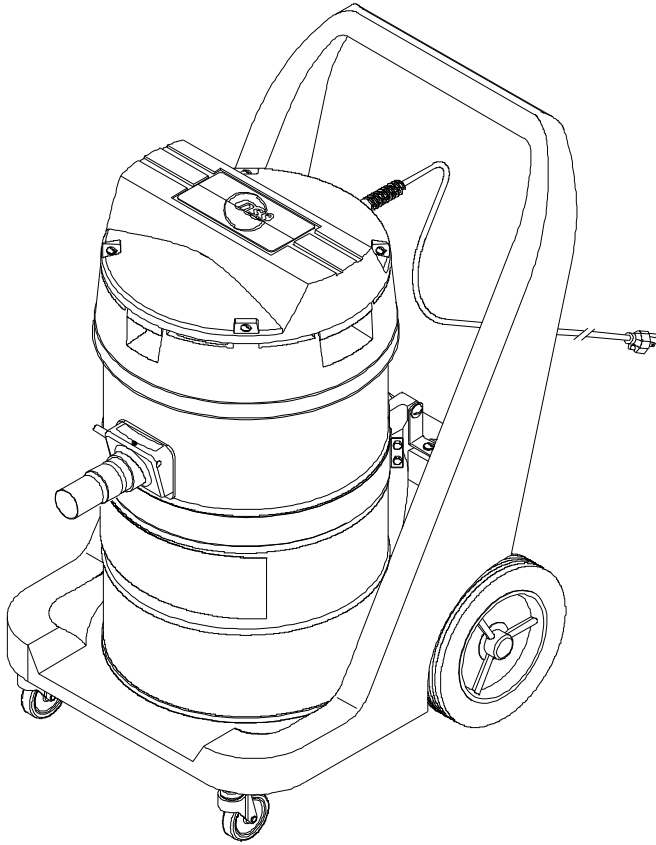
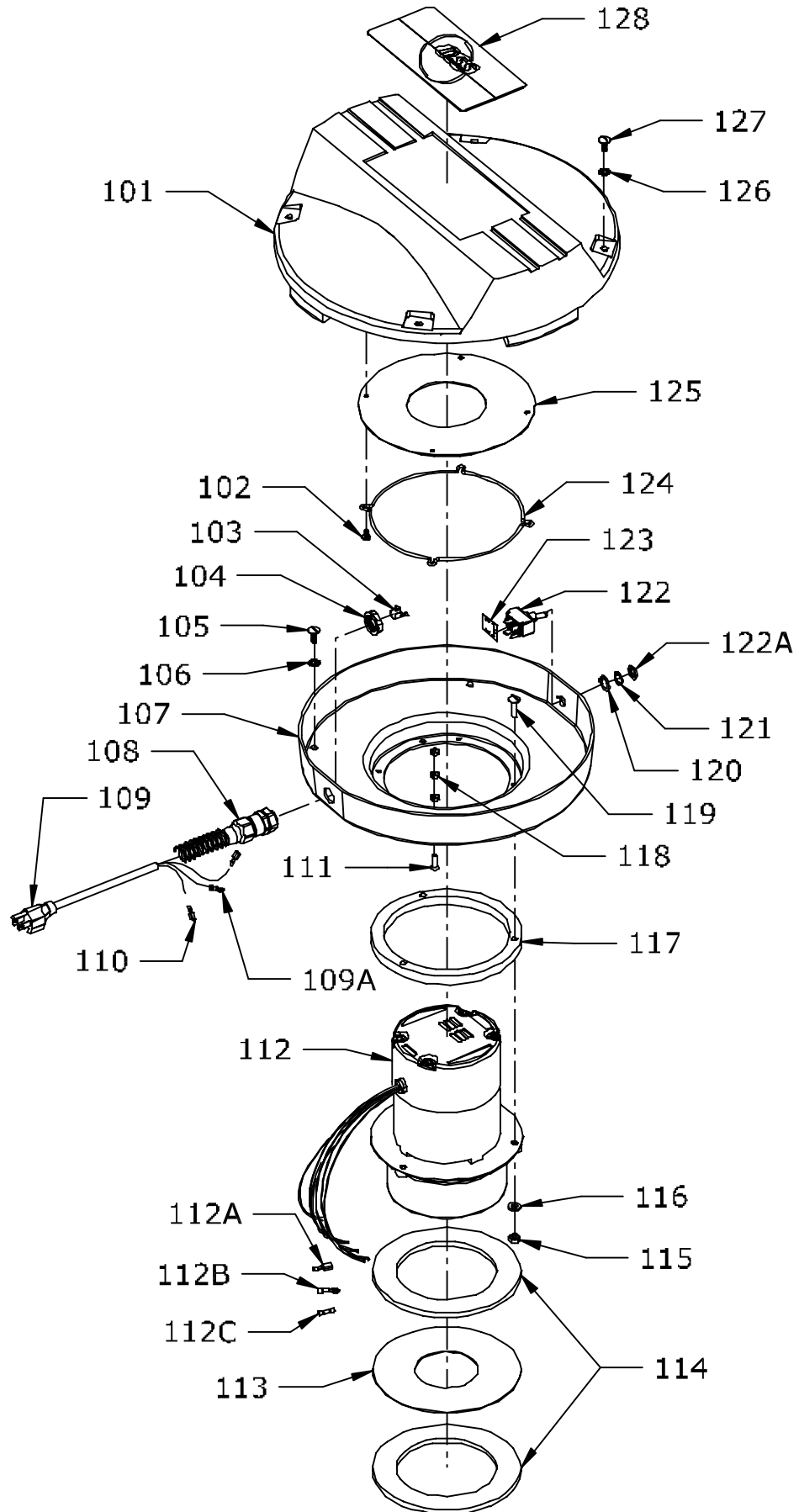


PARTS LIST  
**BP RANGER 1250 & 1450**



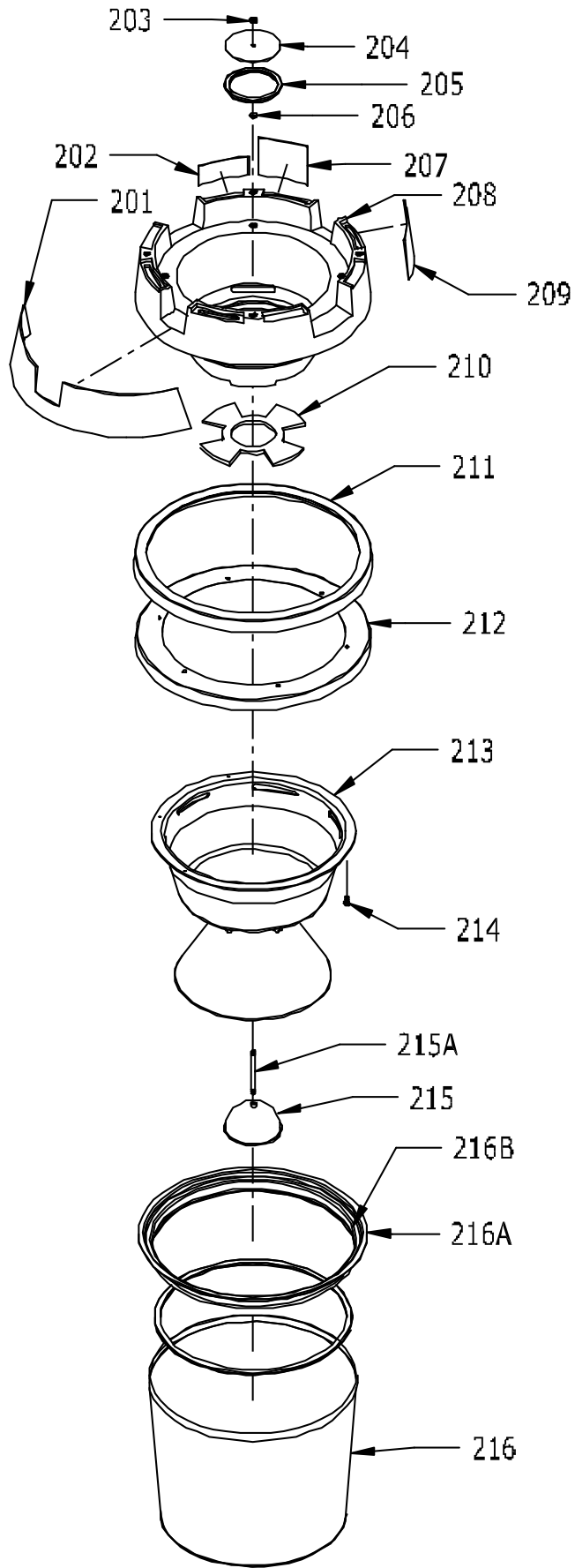
<b>ITEM</b>	<b>PART NO.</b>	<b>PART DESCRIPTION</b>	<b>QTY.</b>
101	0891001	TOP COVER	1
102	9120790	10 X 5/8 PAN HEAD PHILLIPS SHEET METAL SCREW - PACK OF 10	4
103	0299661	STRAIN RELIEF CORD CLAMP	1
104	0891131	STRAIN RELIEF NUT	1
105	9121040	1/4-20 X 5/8 PAN HEAD PHILLIPS MACHINE SCREW - PACK OF 5	4
106	9120970	1/4-20 EXTERNAL STAR LOCK WASHER - PACK OF 10	4
107	0891031	AIR SEPARATOR	1
108	0299531	STRAIN RELIEF	1
109	0693231	CORD - 120 VOLT - STWA - 50 FT. - INCLUDES:	1
109A	0298981	#10 RING TERMINAL 14-16 GAGE	1
110	5490161	FULLY INSULATED FEMALE TERMINAL 14-16 GAGE	2
111	9120400	10-24 X 3/4 FLAT HEAD PHILLIPS MACHINE SCREW - PACK OF 10	1
112	0892709	INFIN-A-TEK VAC MOTOR - INCLUDES:	1
112A	4991361	FULLY INSULATED FEMALE TERMINAL 18-22 GAGE	2
112B	0298981	#10 RING TERMINAL 14-16 GAGE	2
112C	0892751	INSULATED BUTT SPLICE 22-18 GAGE	2
113	0892731	VAC MOTOR LOWER GASKET DISC	1
114	0892721	VAC MOTOR LOWER GASKET	2
115	9120900	1/4-20 HEX NUT WITH NY-LOCK INSERT - PACK OF 10	3
116	9120930	9/32 I.D. X 5/8 O.D. X .051/.080 THICK - PACK OF 10	3
117	0892711	UPPER SPACER	1
118	9120360	10-24 HEX NUT WITH STAR LOCK WASHER - PACK OF 10	3
119	9121130	1/4-20 X 1-1/2 TRUSS HEAD PHILLIPS MACHINE SCREW - PACK OF 5	3
120	4691621	SWITCH LOCK RING	1
121	0691851	1/2 INTERNAL STAR LOCK WASHER	1
122	0891141	TOGGLE SWITCH - INCLUDES:	1
122A	0798941	9/16" HEX NUT	1
123	0892141	TOGGLE SWITCH INSULATOR	1
124	0798716	SEALING RING	1
125	0798691	UPPER AIR SEAL	1
126	9120970	1/4-20 EXTERNAL STAR LOCK WASHER - PACK OF 10	4
127	9121020	1/4-20 X 1 TRUSS HEAD PHILLIPS MACHINE SCREW - PACK OF 5	4
128	0892401	CLOUD BURST DECAL - 3 3/4 X 8	1

# MOTOR / LID



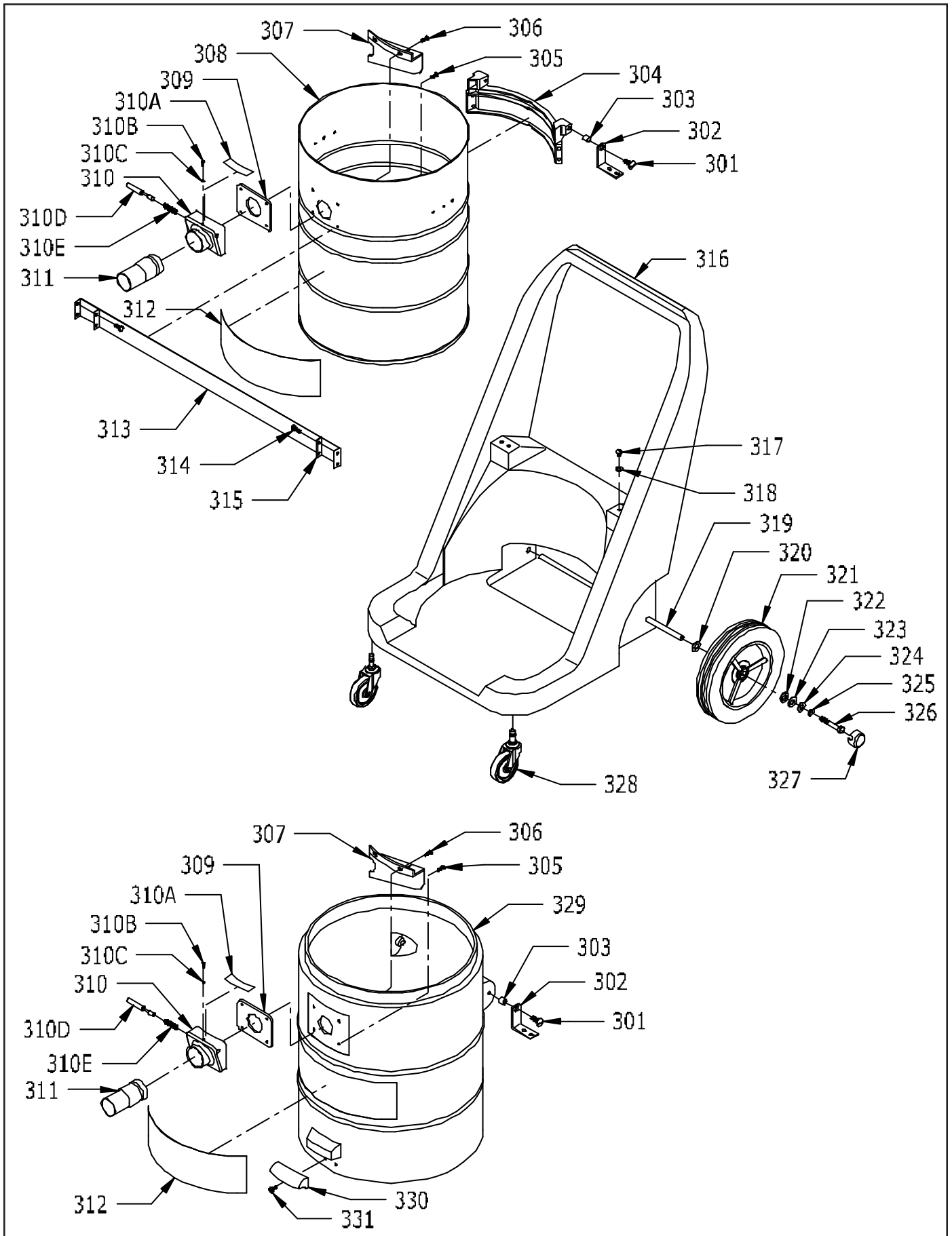
<b>ITEM</b>	<b>PART NO.</b>	<b>PART DESCRIPTION</b>	<b>QTY.</b>
201	0892501	FRONT DECAL - 1.4 X 21.5 ON 97° RADIUS	1
202	0892361	NAME IDENTIFIER DECAL - 1250 - ONLY	1
	0892371	NAME IDENTIFIER DECAL - 1450 - ONLY	1
203	9120350	10-24 HEX NUT WITH NYLOK INSERT - PACK OF 10	1
204	0691271	FLOAT DISC	1
205	0691261	FLOAT DISC GASKET	1
206	9120370	7/32 I.D. X 1/2 O.D. X .032/.065 THICK FLAT WASHER (#10) - PACK OF 10	1
207	0190911	GROUNDING LABEL	1
208	0891011	FLOAT SUPPORT	1
209	0190901	WARNING LABEL	1
210	0891071	FLOAT STAND GASKET	1
211	0891061	LID GASKET	1
212	0891053	LID GASKET SUPPORT	1
213	0891021	FLOAT STAND	1
214	9120790	10 X 5/8 PAN HEAD SHEET METAL SCREW - PACK OF 10	6
215	0690319	FLOAT AND STEM ASSEMBLY - INCLUDES:	1
215	0690311	FLOAT	1
215A	0690811	FLOAT STEM	1
	0891939	DYNEL FILTER ASSEMBLY - INCLUDES:	1
216	0691911	DYNEL BAG - CLOTH	1
216A	0690341	BAG RING ONLY	1
261B	0691751	BAG GASKET	1
	0891949	BLUE FILTER BAG ASSEMBLY - OPTIONAL - INCLUDES:	1
216	0691921	BLUE CLOTH FILTER BAG	1
216A	0690341	BAG RING ONLY	1
216B	0691751	BAG GASKET	1

# POWER HEAD



<b><u>ITEM</u></b>	<b><u>PART NO.</u></b>	<b><u>PART DESCRIPTION</u></b>	<b><u>QTY.</u></b>
301	9122040	3/8-16 X 1 ROUND HEAD PHILLIPS MACHINE SCREW	2
302	0891623	PIVOT BRACKET	2
303	0290971	SPACER	2
304	0690322	HINGE BRACKET - 1250 ONLY	1
305	9120620	10-24 X 3/4 PAN HEAD THREAD CUTTING SCREW - PACK OF 10	2
306	9120630	10-24 X 7/8 PAN HEAD THREAD CUTTING SCREW - PACK OF 2	2
307	0297101	BAFFLE - INTAKE	1
308	0690375	12.5 GALLON CAN - STAINLESS STEEL - 1250 ONLY	1
	0297029	INTAKE ASSEMBLY AND GASKET - INCLUDES:	1
309	4690531	INTAKE GASKET	1
	0297019	INTAKE ASSEMBLY - INCLUDES:	1
310	0297015	INTAKE ONLY	1
310A	0892441	BAG INSTRUCTION LABEL	1
310B	9120230	8-32 X 1/2 PAN HEAD PHILLIPS MACHINE SCREW - PACK OF 10	1
310C	9120200	8 SPLIT WASHER - PACK OF 10	1
310D	0299271	PLUNGER PIN	1
310E	0299261	PLUNGER SPRING	1
311	2590801	HOSE COUPLING	1
312	4792321	FRONT DECAL - 2 X 7	1
313	0690522	BAND CLAMP - 1250 ONLY	1
314	9121250	1/4-20 X 3/4 HEX BOLT - 1250 ONLY	4
315	0690532	BAND CLAMP PLATE - 1250 ONLY	2
316	0891661	TIP BASE	1
317	9121090	1/4-20 X 1/2 TRUSS HEAD PHILLIPS MACHINE SCREW - PACK OF 5	4
318	9120970	1/4 EXTERNAL STAR LOCK WASHER - PACK OF 10	4
319	0891611	AXLE	1
320	5390811	1/2 I.D. X 1 O.D. X .07 THICK FLAT WASHER - NYLATRON	2
321	4892731	10 INCH WHITE PLASTIC WHEEL	2
322	5390811	1/2 I.D. X 1 O.D. X .07 THICK FLAT WASHER - NYLATRON	2
323	9122465	.516 I.D. X .813 O.D. X .027/.030 THICK FLAT WASHER - PACK OF 2	2
324	9120930	9/32 I.D. X 5/8 O.D. X .051/.080 THICK FLAT WASHER (1/4) - PACK OF 10	2
325	9120880	1/4 SPLIT LOCK WASHER - PACK OF 10	2
326	9121210	1/4-20 X 5/8 HEX BOLT - PACK OF 10	2
327	0599311	HUBCAP - PLASTIC	2
328	0290491	CASTER	2
329	0891501	14.5 GALLON CAN - 1450 ONLY	1
330	0798685	HANDLE - (1450 ONLY)	1
331	9120540	10-24 X 1/2 FLAT HEAD PHILLIPS MACHINE SCREW - PACK 10 (1450 ONLY)	3

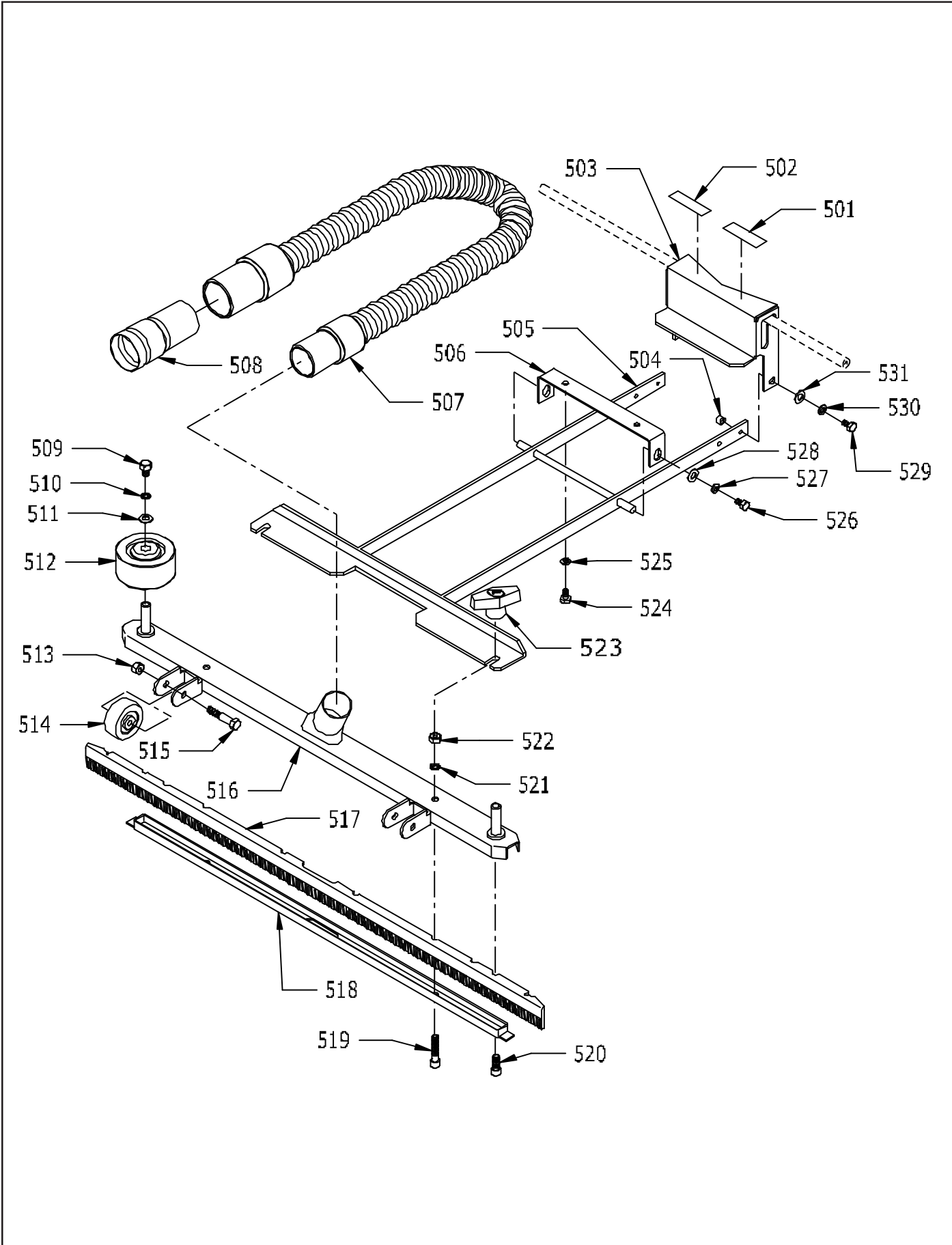
# CONTAINERS WITH TIP BASES



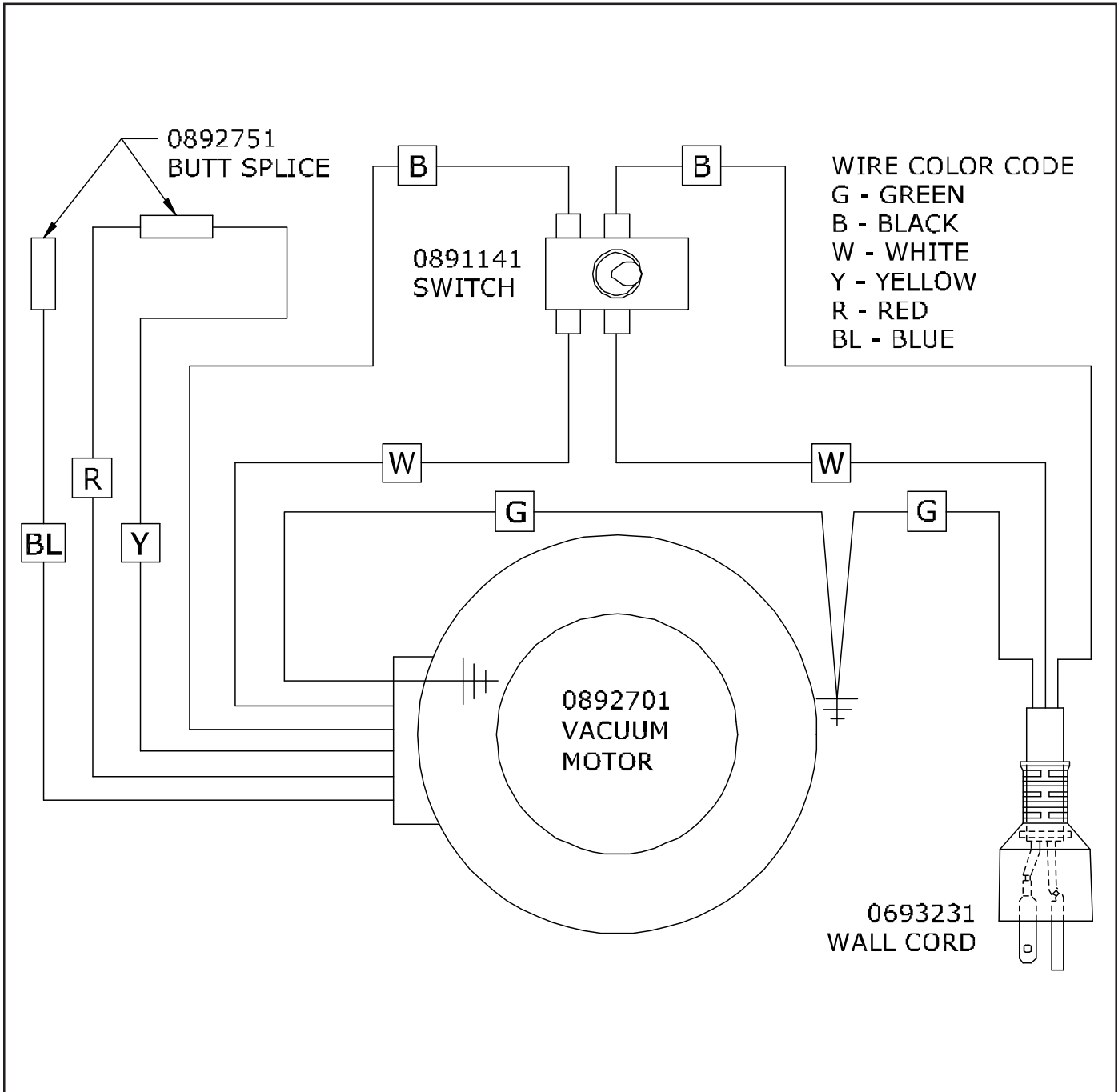
<b>ITEM</b>	<b>PART NO.</b>	<b>PART DESCRIPTION</b>	<b>QTY.</b>
	3098259	FRONT MOUNT SQUEEGEE - INCLUDES:	1
501	0891731	DECAL - PRESS TO RAISE	1
502	0891741	DECAL - PUSH TO LOWER	1
503	0891703	FOOT PEDAL WITH LATCH	1
504	2791281	BUSHING SPACER	2
505	0891723	MOUNTING PLATE	1
506	0891713	LOWER PIVOT BRACKET	1
507	0891751	2 FOOT HOSE WITH CUFFS	1
508	2590801	HOSE COUPLING 1 1/2"	1
509	9121560	5/16-18 X 1/2 HEX BOLT - PACK OF 5	2
510	9121410	5/16 EXTERNAL STAR LOCK WASHER - PACK OF 10	2
511	9121390	11/32 I.D. X 11/16 O.D. X .051/.080 THICK FLAT WASHER (5/16) - PK10	2
512	2790281	3" BUMPER WHEEL	2
513	9121450	5/16-18 HEX NUT WITH NYLOK INSERT - PACK OF 5	2
514	3096741	WHEEL - BUMPER - SMALL GRAY	2
515	9121760	5/16-18 X 1-3/4 HEX BOLT - PACK OF 2	2
516	2391273	OUTER CHANNEL	1
517	2791061	32" REPLACEMENT SQUEEGEE BLADES - SET OF 2	1
518	2391283	INNER CHANNEL	1
519	9121920	5/16-18 X 1-1/2 SOCKET HEAD CAP SCREW - PACK OF 2	2
520	9121880	5/16-18 X 3/4 SOCKET HEAD CAP SCREW - PACK OF 2	2
521	9121410	5/16 EXTERNAL STAR LOCK WASHER - PACK OF 10	2
522	9121420	5/16-18 HEX NUT - PACK OF 10	2
523	3392971	T-KNOB - SQUEEGEE	2
524	9121170	1/4-20 X 1/2 HEX BOLT - PACK OF 10	2
525	9120880	1/4 SPLIT LOCK WASHER - PACK OF 10	2
526	9121170	1/4-20 X 1/2 HEX BOLT - PACK OF 10	2
527	9120880	1/4 SPLIT LOCK WASHER - PACK OF 10	2
528	9120930	9/32 I.D. X 5/8 O.D. X .051/.080 THICK FLAT WASHER (1/4) - PK 10	2
529	9121250	1/4-20 X 3/4 HEX BOLT WITH NYLON PATCH - PACK OF 10	2
530	9120880	1/4 SPLIT LOCK WASHER - PACK OF 10	2
531	9120930	9/32 I.D. X 5/8 O.D. X .051/.080 THICK FLAT WASHER (1/4) - PK 10	2



**FRONT MOUNT SQUEEGEE ASSEMBLY**



# WIRING DIAGRAM



<b>PART NO.</b>	<b>PART DESCRIPTION</b>	<b>QTY.</b>
0299661	STRAIN RELIEF CORD CLAMP	1
0891131	STRAIN RELIEF NUT	1
0299531	STRAIN RELIEF	1
0693231	CORD - 120 VOLT - STWA - 50 FT. - INCLUDES:	1
0298981	#10 RING TERMINAL 14-16 GAGE	2
5490161	FULLY INSULATED FEMALE TERMINAL 14-16 GAGE	2
0892709	INFIN-A-TEK VAC MOTOR - INCLUDES:	1
4991361	FULLY INSULATED FEMALE TERMINAL 18-22 GAGE	2
0298981	#10 RING TERMINAL 14-16 GAGE	2
0892751	INSULATED BUTT SPLICE 22-18 GAGE	2
0891141	TOGGLE SWITCH - INCLUDES:	1
0798941	9/16" HEX NUT	1
0892141	TOGGLE SWITCH INSULATOR	1

## ***NOTES***

# ACCESSORIES

	<b>PART NO.</b> 1801802	<b>PART DESCRIPTION</b> BP RANGER POWERHEAD 115 VOLT
	3098309 2594011 5790469 5797011 5790241 5797031 5790111 5790291 5790301 5790311 3191469	ALL PURPOSE WET / DRY TOOL KIT - INCLUDES: 10 FOOT SPIRAL FLEX HOSE 2 PIECE STEEL WAND 15" SQUEEGEE TOOL WITH WHEELS 16" BARE FLOOR TOOL 16" CARPET TOOL 2 1/2 ROUND BRUSH CREVICE TOOL 9" WALL BRUSH UTILITY NOZZLE HI-UP EXTENSION TUBE KIT - PLASTIC (2-PIECES)
	3098329 3092179 2290209 2595101	BASIC WET PICK-UP KIT - INCLUDES: 14" URETHANE SQUEEGEE TOOL STEEL WAND 10 FOOT SUPER FLEX HOSE WITH SWIVEL CUFF
	3098259  0891939 0891949	FRONT MOUNT SQUEEGEE ASSEMBLY  DYNEL FILTER BAG ASSEMBLY BLUE FILTER BAG ASSEMBLY
		



**NSS Enterprises, Inc.**  
3115 Frenchmens Road  
Toledo, Ohio 43607-2958  
USA

PHONE (800)677-1663  
(419)531-2121  
FAX (419)531-3761  
mailus@nss.com  
www.nss.com

**NSS Enterprises, Inc. European Distribution Centre**  
Unit II, Pinfold Trading Estate  
55 Nottingham Road  
STAPLEFORD, NOTTINGHAM NG9 8AD ENGLAND U.K.

PHONE (44)0115 939 1568  
FAX (44) 0115 949 0615