

# Convertamatic™ 20B

---



## **PARTS LIST**

**Advance MODEL 56324500(OBSOLETE)**

**This parts list is for machines after serial number 1090926**



**Nilfisk  
Advance**

*setting standards*

10/95 revised 3/01 Form Number 56042304

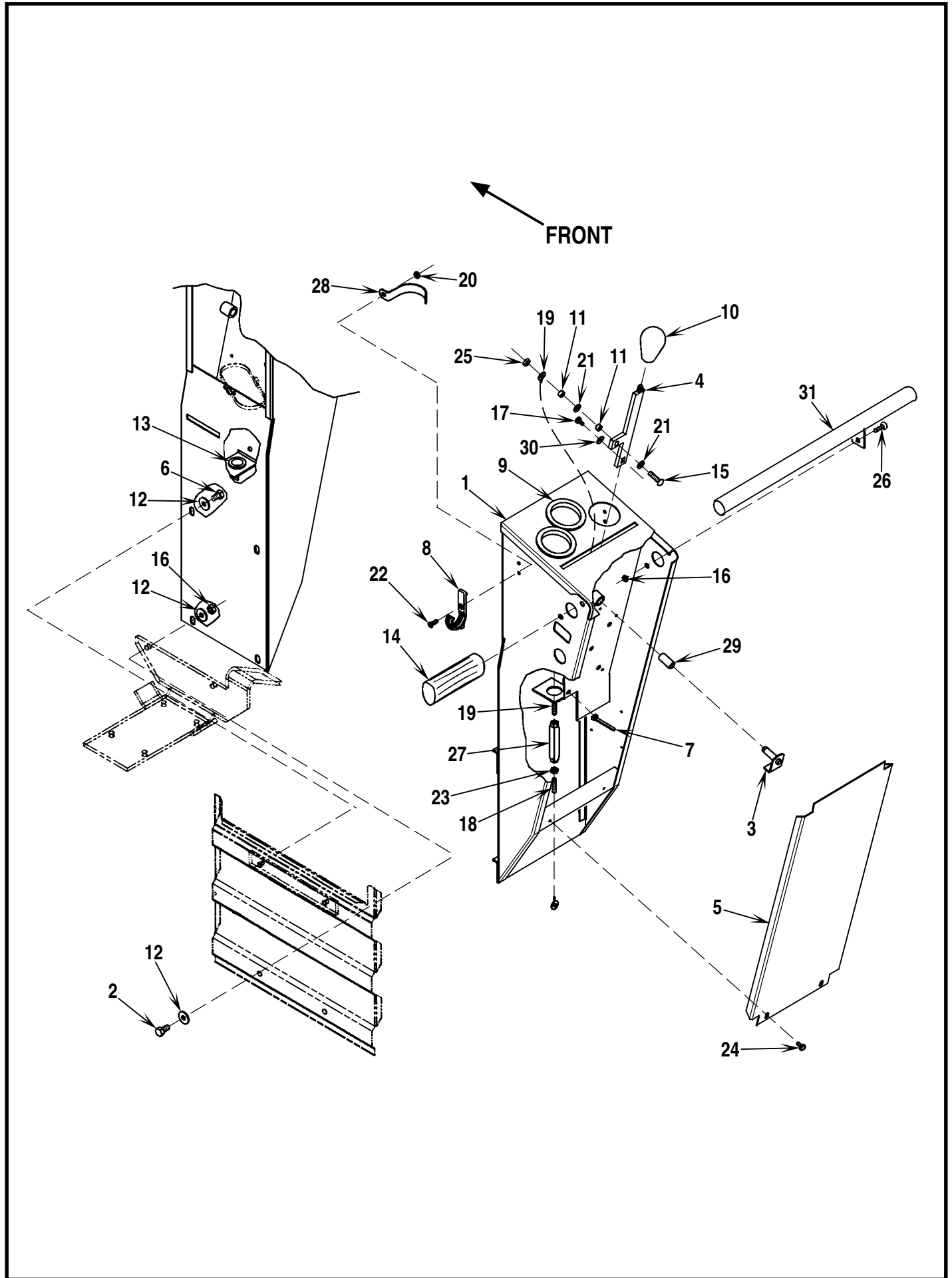
## TABLE OF CONTENTS

<u>DESCRIPTION</u>	<u>PAGE</u>
Handle System .....	1-2
Battery Case System .....	3-4
Chassis and Axle System .....	5-6
Brush Drive System .....	7-8
Solution System .....	9-10
Recovery and Vacuum Motor System .....	11-12
Squeegee System .....	13-14
Decal System .....	15-16
Electrical System .....	17-18
Wiring Diagram .....	19-20

### WHEN ORDERING PARTS

- \* Use the 8 digit numbers from the "Ref. No." columns in this parts list.
- \* Specify the model and serial number of the machine.
- \* Use the space below to record the model and serial number for future reference.

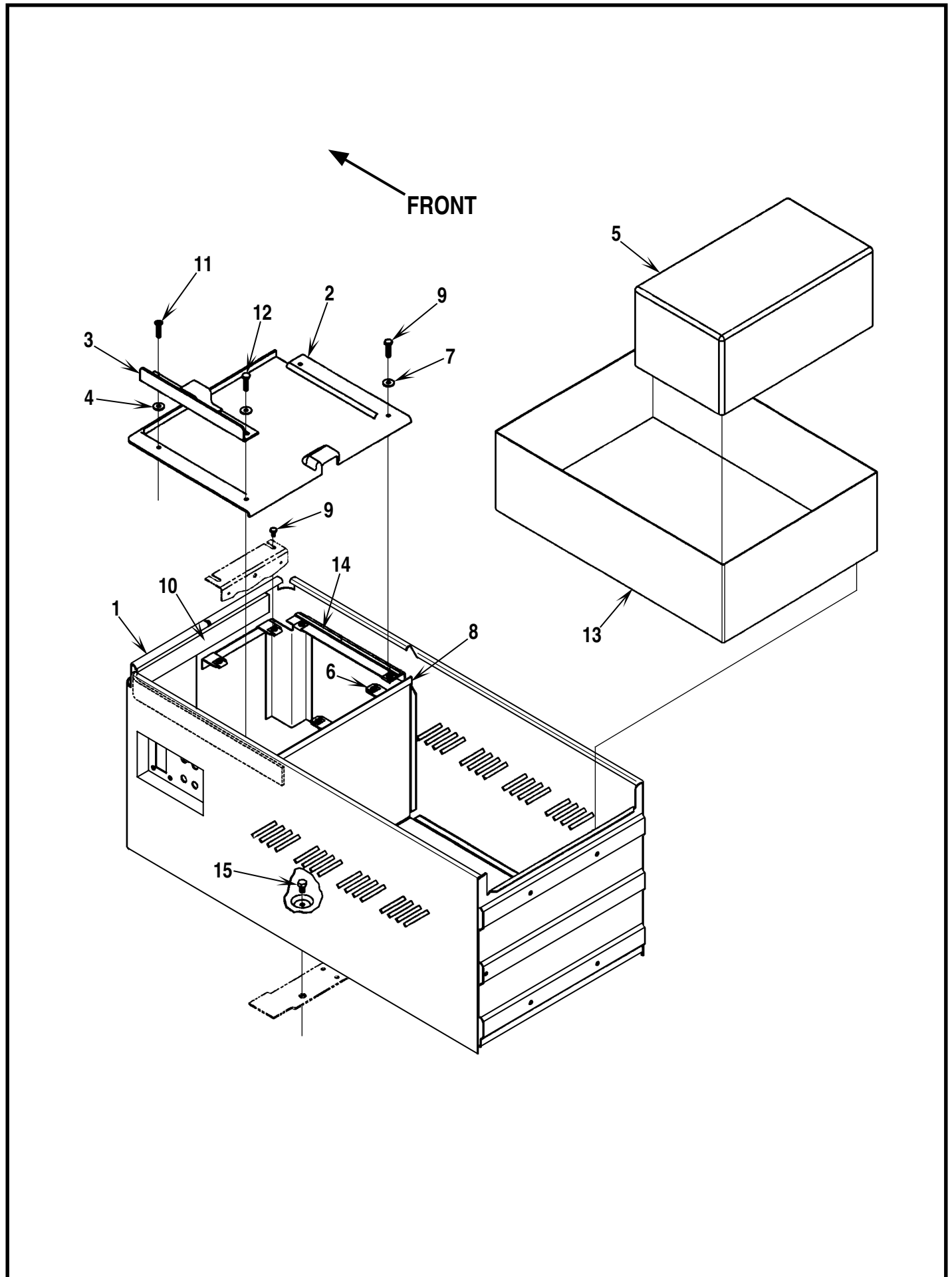
Model \_\_\_\_\_ Serial No. \_\_\_\_\_



# HANDLE SYSTEM

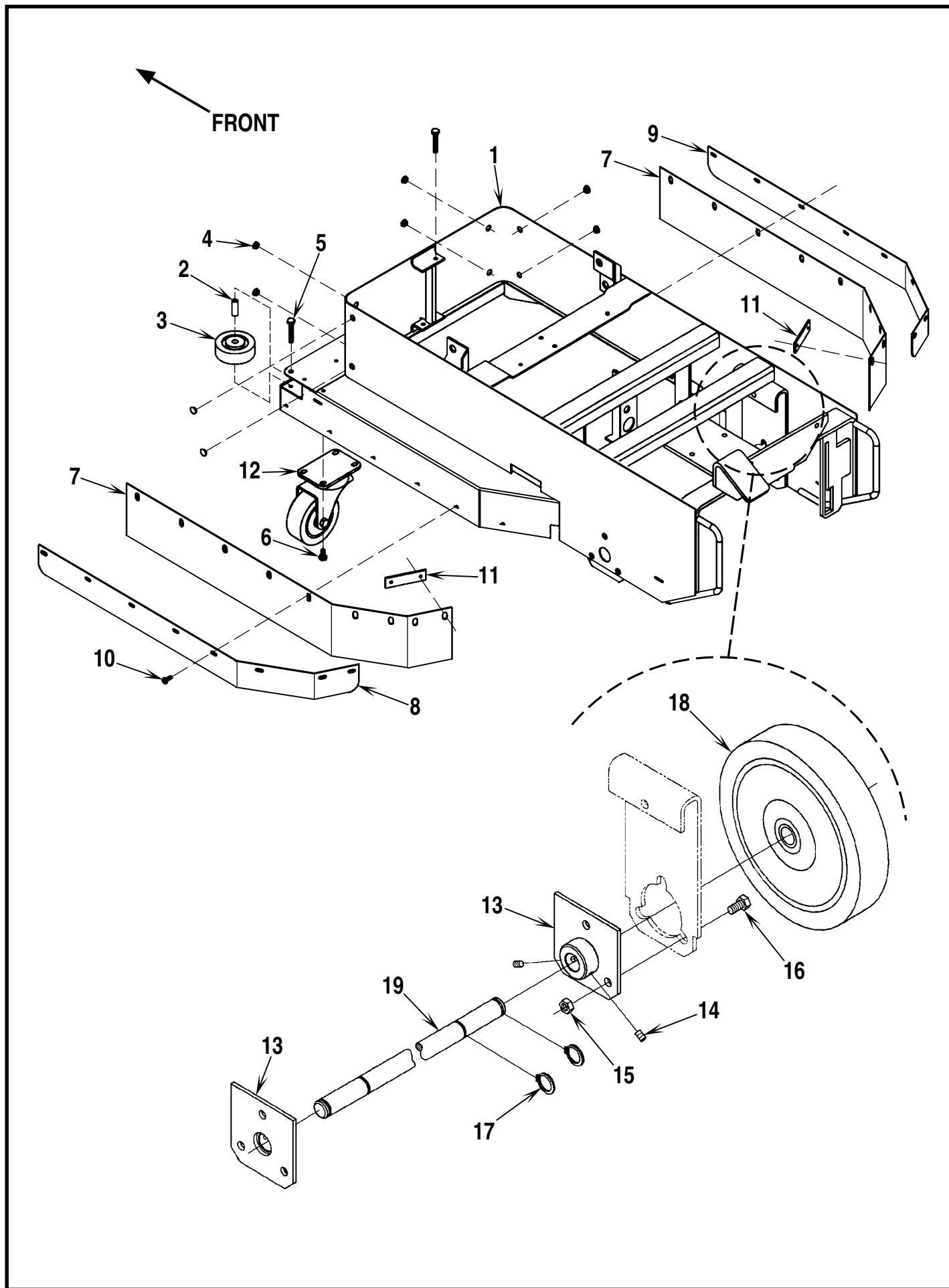
Item	Ref. No.	Qty	Description
1	56324111	1	Handle Weld't
2	56002221	2	Scr, Hex 5/16-18 x 1.00
3	56324361	1	Actuator Weld't
4	56324129	1	Handle Weld't
5	56324130	1	Cover
6	56002035	2	Scr, Hex 5/16-18 x .62
7	56900753	2	Push Tie
8	56324349	1	Hook
9	56324195	2	Grommet
10	56364527	1	Knob
11	56206784	2	Bushing
12	56001939	6	Wsh, Flt 5/16
13	56491648	1	Bearing, Flange
14	56395884	2	Grip, Handle
15	56002292	1	Scr, Pan Hd Ph 1/4-20 x 1.00
16	56002701	4	Nut, Hex Nyl Loc 5/16-18
17	56002926	1	Scr, Hex Hd Loc 10-24 x .38
18	56324326	1	Wire Rope Assy RH
19	56324036	1	Wire Rope Assy LH
20	56002768	4	Nut, Hex Nyl Loc 10-24
21	56009025	2	Wsh, Flt .26 x .75 x .03
22	56002099	1	Scr, Flt Phil 10-24 x .62
23	56009087	1	Nut, Hex Jam 1/4-20
24	56009012	2	Scr, Hex Thd Form 10-24 x .38
25	56002708	1	Nut, Hex Nyl Loc 1/4-20
26	56002281	1	Scr, Pan Phil 5/16-18 x .50
27	56206814	1	Turn Buckle 1/4 x 2.88
28	56180030	1	Clamp
29	56200972	1	Bearing, Sleeve
30	56009096	1	Wsh, Flt .19 x .87 x .06
31	56324488	1	Handle Bar Weld't
*	56015592	6	Decal, Cover

\* = Not Shown



**BATTERY CASE SYSTEM**

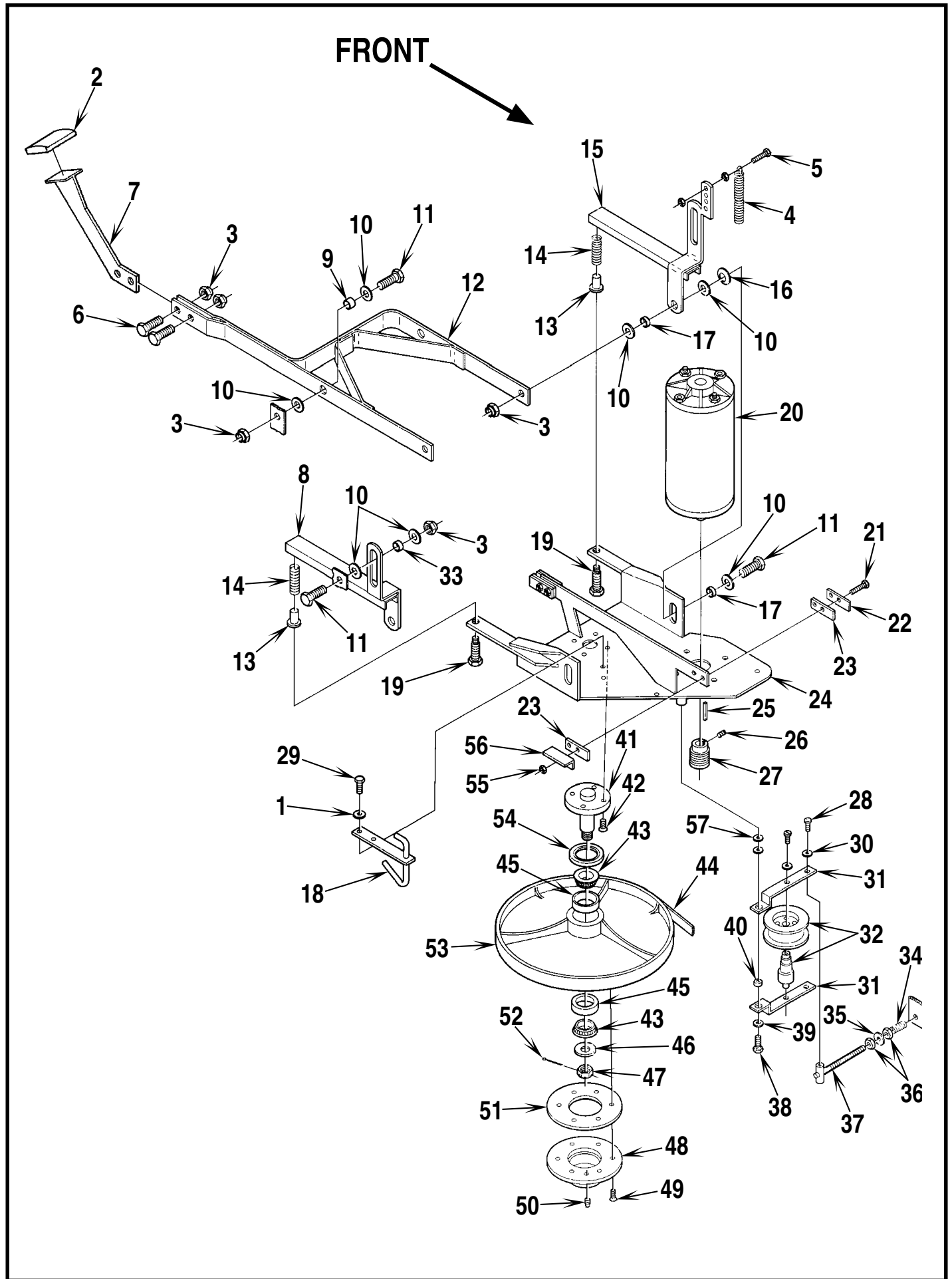
Item	Ref. No.	Qty	Description
1	56324064	1	Battery Case Weld't
2	56324071	1	Cover
3	56324072	1	Support Bracket Weld't
4	56324374	1	Washer, Sealing
5	56324357	1	Spacer, Batteries
6	56321520	8	Nut, Clamp 1/4-20
7	56900737	3	Washer, Sealing
8	56755581	15"	Trim (38.55cm)
9	56003039	6	Scr, Hex Loc 1/4-20 x .50
10	56324373	1	Gasket
11	56002921	1	Scr, Flt Phil Loc 1/4-20 x .50
12	56002922	1	Scr, Hex Loc 1/4-20 x .62
13	56374905	1	Tray, Plastic
14	56209434	9"	Gasket (23.13cm)
15	56002923	2	Scr, Hex Loc 5/16-18 x .50



## CHASSIS AND AXLE SYSTEM

Item	Ref. No.	Qty	Description
1	56324153	1	Chassis Weld't
2	56360139	2	Bushing
3	56324350	2	Wheel
4	56153699	8	Plug Button
5	56009028	3	Scr, Hex Thd Form 1/4-20 x 1.50
6	56009033	6	Scr, Hex Thd Form 1/4-20 x .50
7	56382905	2	Guard, Rubber
8	56324286	1	Strap, Left
9	56324287	1	Strap, Right
10	56009039	16	Scr, Hex Thd Form 10-24 x .50
11	56324220	2	Bar
12	56206725	2	Caster
13	56324230	2	Axle Mount Weld't
14	56002930	4	Scr, Soc Set Loc 1/4-20 x .38
15	56002701	6	Nut, Hex Nyl Loc 5/16-18
16	56002037	6	Scr, Hex Hd 5/16-18 x .88
17	56900884	4	Ret. Ring
18	56377945	2	Wheel, W/Bearing 8.00
19	56324231	1	Shaft, Axle



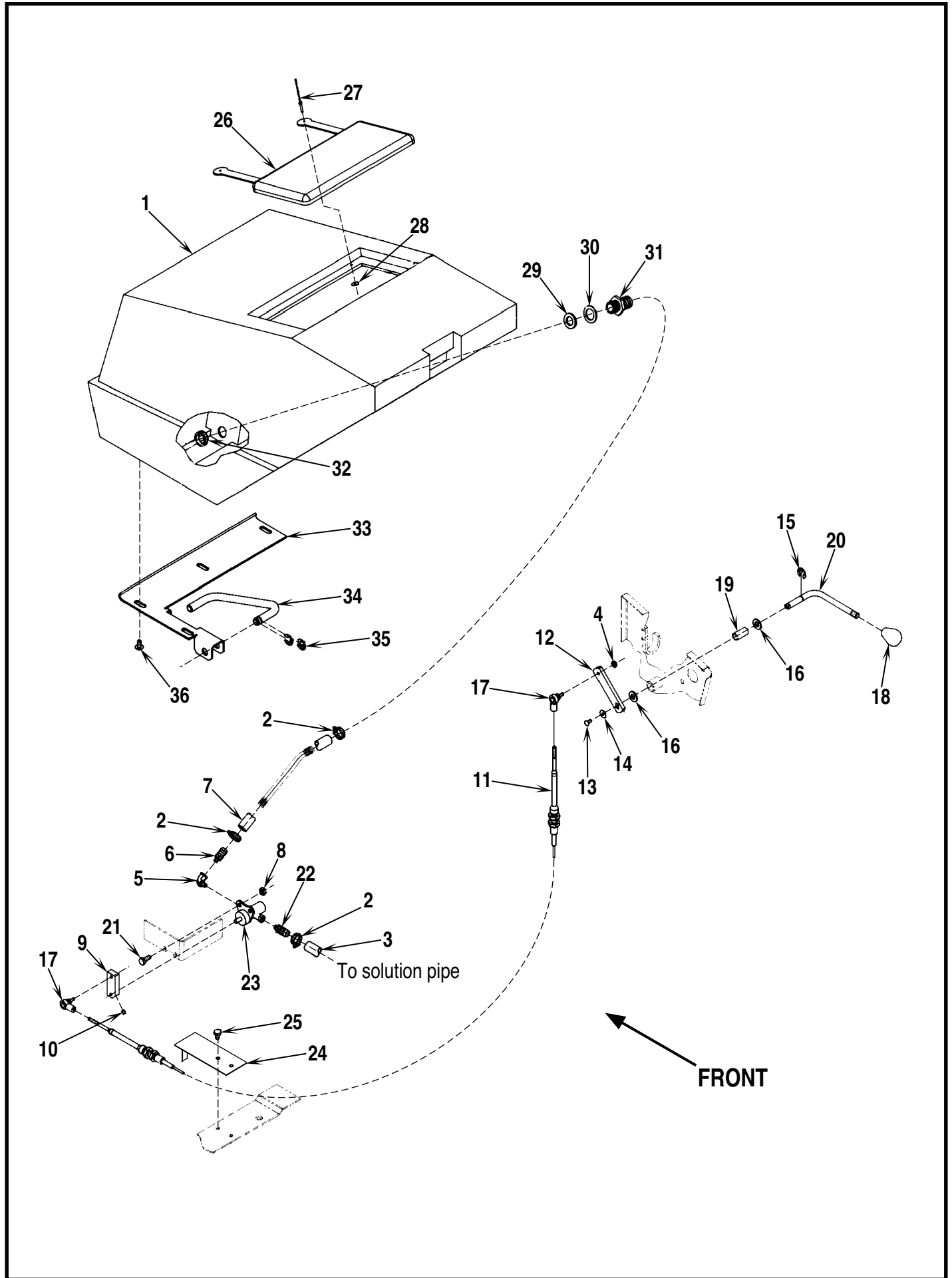


## BRUSH DRIVE SYSTEM

Item	Ref. No.	Qty	Description	Item	Ref. No.	Qty	Description
1	56151114	2	Washer	41	56171056	1	Shaft
2	56365002	1	Pad, Rubber	42	56002569	4	Scr, Thd Form 10-24 x .50
3	56002843	8	1/2-13 Thin Nyl Loc Nut	43	56378267	2	Bearing
4	56398606	1	Spring, Extension	44	56171200	1	Belt
5	56002093	1	Scr, Hex Hd 1/4-20 x 1.00	45	56378259	2	Bearing Race
6	56001995	2	Scr, Hex Hd 1/2-13 x 1.75	46	56163449	1	Washer
7	56324386	1	Plate	47	56158313	1	Nut
8	56385890	1	Bracket	48	56163430	1	Drive Cap ( <b>Silver/NP-47</b> )
9	56360627	2	Bushing		56163431	1	Drive Cap ( <b>Gold/NP-92</b> )
10	56009017	14	Washer	49	56002569	6	#10-24 x 1/2 Flat Hd HP-5 Screw
11	56001931	6	1/2-13 x 1-1/4 Bolt	50	56361321	1	Catch
12	56324380	1	Brush Linkage	51	56158275	1	Gasket
13	56386216	2	Guide Bushing	52	56001882	1	1/16 x 1 Cotter Pin
14	56373869	2	Spring	53	56171376	1	Pulley
15	56385893	1	Bracket	54	56171078	1	Seal
16	56009130	2	Bowed Washer	55	56002708	6	1/4-20 Nyl Loc Nut
17	56382086	4	Bushing	56	56382984	1	Bracket
18	56385776	1	Solution Pipe	57	56151041	2	Washer, Spring
19	56002470	2	Scr, Hex Hd 3/8-16 x 2.00				
20	56386261	1	Brush Drive Motor				
*	56386263	1	Carbon Brush Set ( <b>for 56386261</b> )	**	56505058	1	Magna Grit™ 46 Brush
21	56001878	4	1/4-20 x 1-1/4 Screw	**	56505048	1	Dyna Grit™ 80 Brush
22	56386160	3	Plate	**	56505079	1	MidLite Grit™ 180 Brush
23	56386105	4	Wear Strip	**	56505083	1	MidGrit™ 240 Brush
24	56385914	1	Bracket	**	56505063	1	AgLite™ 500 Brush
25	56443719	1	3/16 x 1-3/8 Key	**	56505450	1	Prolene Brush
26	56002086	2	5/16-18 x 1/4 Set Screw	**	56505077	1	ProLite™ Brush
27	56171088	1	Sheave	**	56505454	1	Union Mix Brush
28	56002926	4	#10-24 x 3/8 Loc Screw	**	56505455	1	Short-Trim Pad Holder
29	56002514	2	1/4-20 x 3/4 HP-5 Screw				
30	56001954	4	#10 Flat Washer				
31	56386290	2	Bracket	**	56505921	1	Magna Grit™ 46 Brush
32	56171734	1	Idler Assembly	**	56505922	1	Dyna Grit™ 80 Brush
	56171735	1	Pulley	**	56505928	1	MidLite Grit™ 180 Brush
	56171733	1	Shaft	**	56505927	1	MidGrit™ 240 Brush
33	56365030	2	Bushing	**	56505923	1	AgLite™ 500 Brush
34	56171271	1	Spring	**	56505924	1	Prolene Brush
35	56001939	1	5/16 Flat Washer	**	56505925	1	ProLite™ Brush
36	56002701	2	5/16-18 Nyl Loc Nut	**	56505926	1	Union Mix Brush
37	56386273	1	Linkage	**	56505920	1	Short-Trim Pad Holder
38	56002960	1	1/4-20 x 7/8 Loc Screw	**	56505280	1	Level-Set Pad Holder
39	56002098	1	1/4 Flat Washer				
40	56368989	1	Bushing	**	56393567	1	"Big Mouth" Pad Retainer
				**	56506001	1	Clutch Plate ( <b>Silver/NP-47</b> )
				**	56506006	1	Clutch Plate ( <b>Plastic/NP-92</b> )

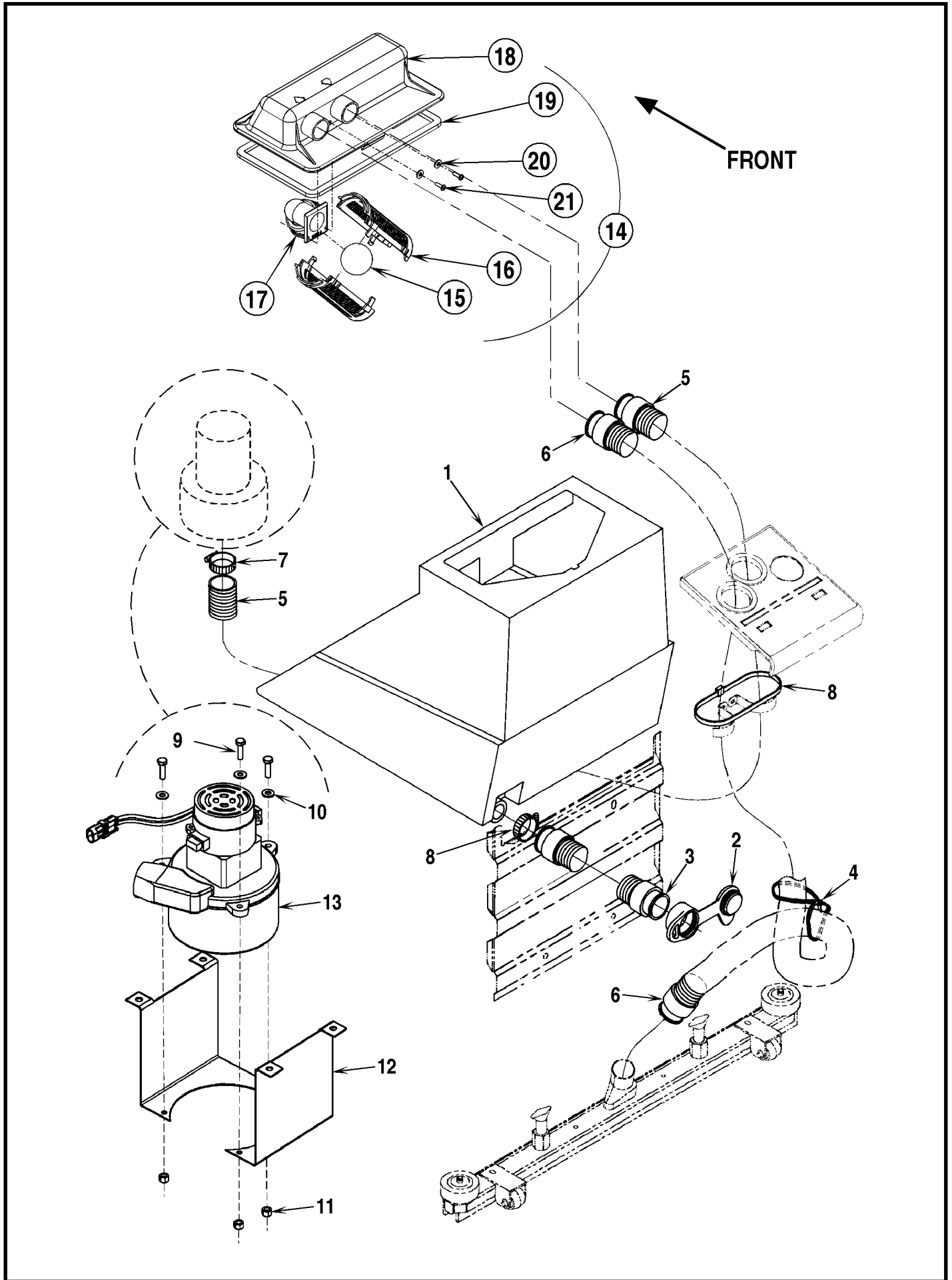
\* = Not Shown

\*\* = Optional Accessory, Not Included



# SOLUTION SYSTEM

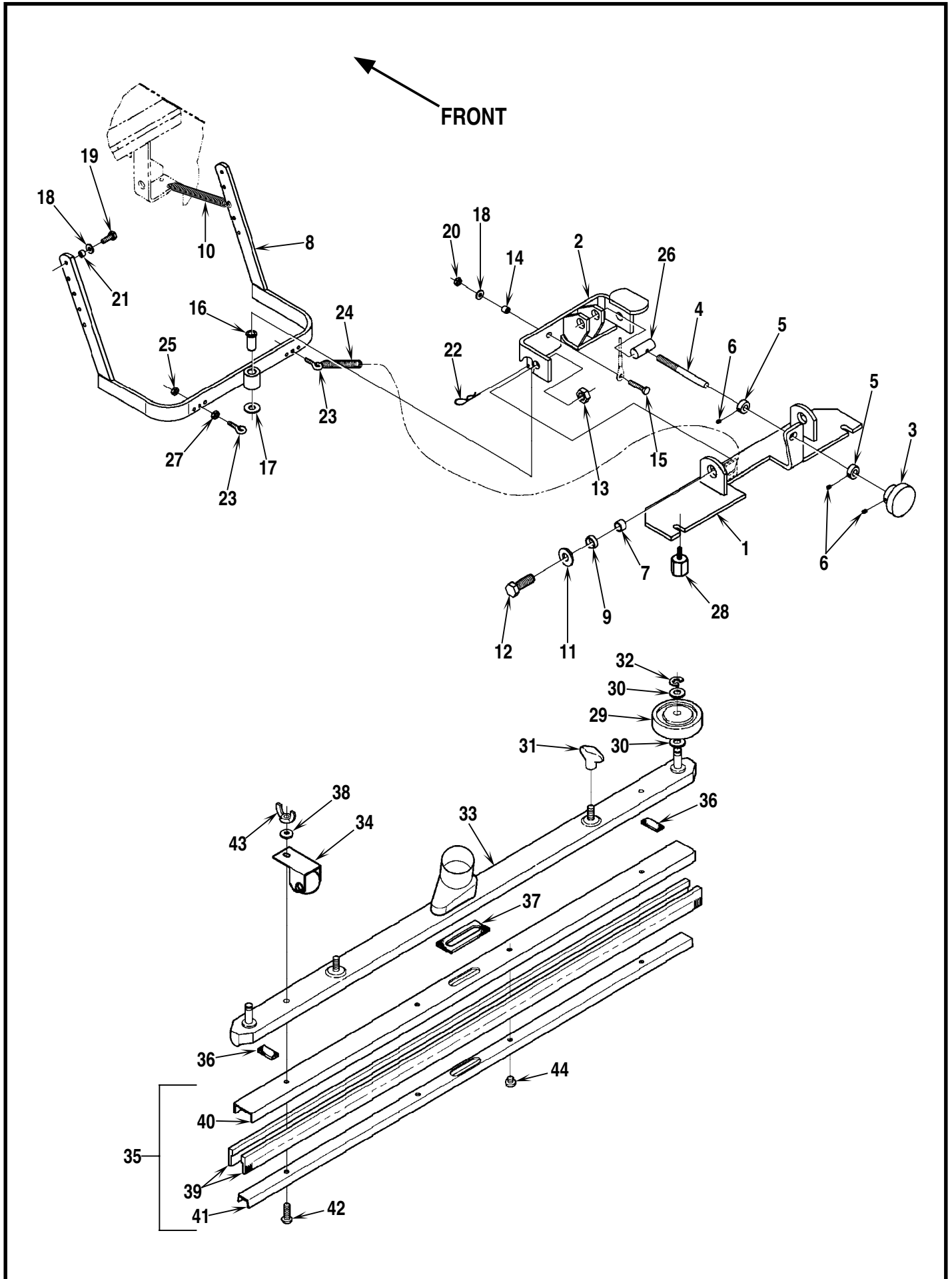
Item	Ref. No.	Qty	Description
1	56324211	1	Tank, Solution
	56324449	1	Solution Tank Assy (#1, 26-36)
2	56219932	3	Hose Clamp
3	56456830	1	Hose, Spiral
4	56002873	1	Nut, Hex Nyl Loc 10-32
5	56369632	1	Elbow
6	56373456	1	Fitting 1/4 NPT x 1/2 Barb
7	56324249	1	Hose
8	56002708	2	Nut, Hex Nyl Loc 1/4-20
9	56324089	1	Handle, Valve
10	56002015	1	Scr, Soc Set Loc 10-24 x .25
11	56324205	1	Cable, Control
12	56324206	1	Bar, Linkage
13	56002926	1	Scr, Hex Loc 10-24 x .38
14	56009096	1	Wsh, Flt .19 x .87 x .06
15	56312427	1	Ring Ret. Ext. 3/8E
16	56002063	2	Wsh, Flt SAE 3/8
17	56488290	2	Rod End #10
18	56378534	1	Knob
19	56200972	1	Bearing
20	56324216	1	Rod, Valve Control
21	56001836	2	Scr, Hex 1/4-20 x .62
22	56155640	1	Fitting 1/4 NPT x 3/8 Barb
23	56368903	1	Valve 2 Way 1/4
24	56324483	1	Bracket, Cable End
25	56002093	2	Scr, Hex 1/4-20 x 1.00
26	56386062	1	Cover Assy
	56386166	1	Cover
	56263379	2	Strap
27	56003293	2	Rivet, Pop
28	56009098	2	Wsh, Flt SS .12 x .50 x .03
29	56154717	1	Washer
30	56249625	1	Restrainer
31	56324492	1	Barb
32	56393187	1	Nut, 3/4-16
33	56324077	1	Panel
34	56324076	1	Rod, Support
35	56324204	2	Ret. Ring Ext. "E"
36	56009069	4	Scr, Pan Phil Loc 1/4-20 x .50



## RECOVERY AND VACUUM MOTOR SYSTEM

Item	Ref. No.	Qty	Description
1	56324179	1	Tank, Recovery
2	56324180	1	Plug, Drain
3	56372216	1	Hose, Drain
4	56393381	1	Tie, Wire
5	56391753	1	Hose, Vacuum Motor
6	56324255	1	Hose, Squeegee
7	56329145	2	Clamp, Hose
8	56477613	5	Cable Tie
9	56002093	3	Scr, Hex Hd 1/4-20 x 1.00
10	56002098	3	Wsh, Flt SAE 1/4
11	56002708	3	Nut, Hex Nyl Loc 1/4-20
12	56324485	1	Mount, Vac Motor
13	56324489	1	Vacuum Motor
*	56503003	1	Carbon Brush Set for 56324489
14	56324045	1	Cover Assembly (#15-21)
15	56391690	1	Ball
16	56324497	2	Cage, Float
17	56324298	1	Elbow, Float
18	56324046	1	Cover, Tank
19	56262576	1	Gasket
20	56209261	2	Washer, Sealing 9/16
21	56003633	2	Scr, Pan Phil SS Type B 10-16 x .50

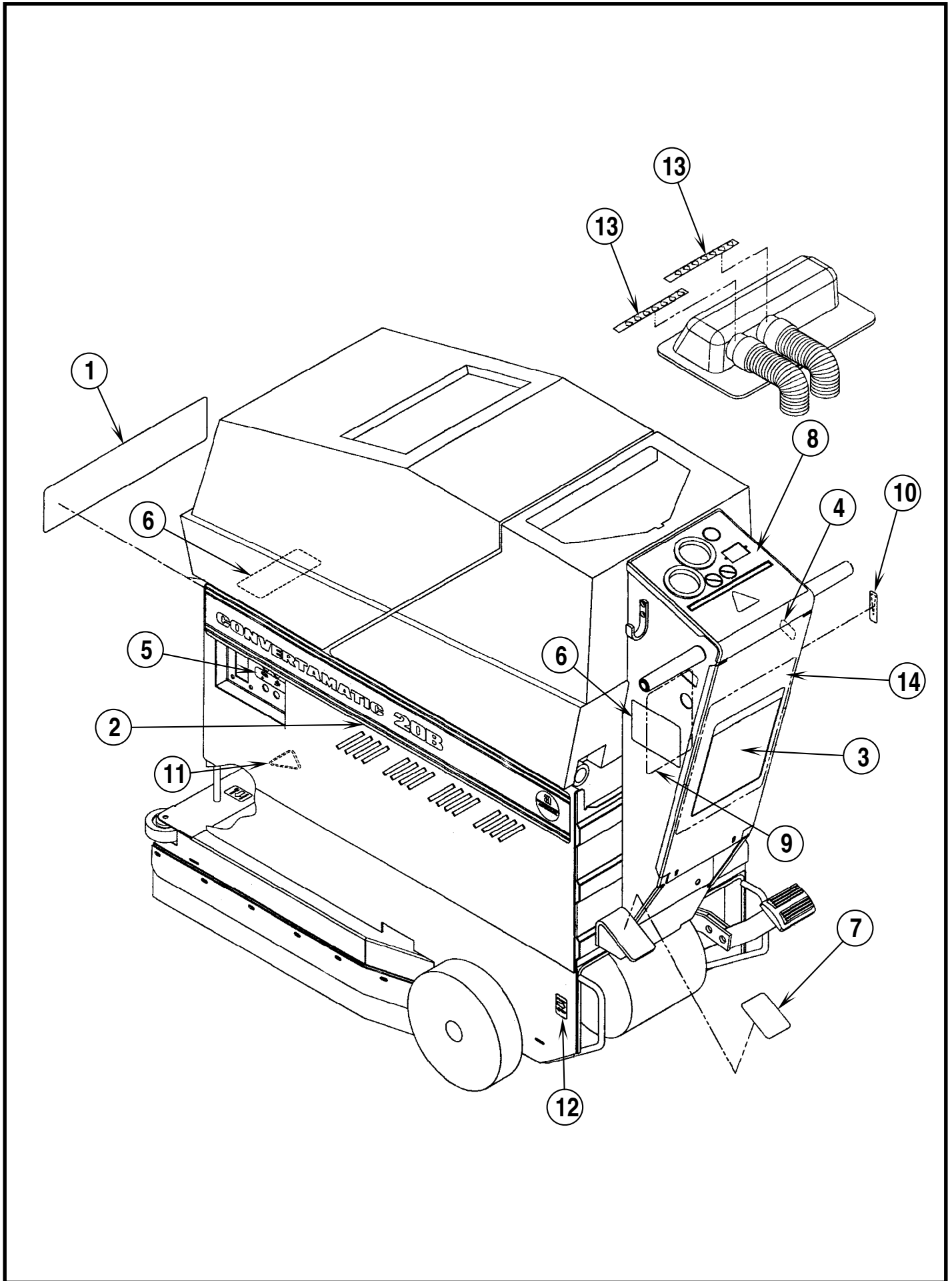
\* = Not Shown



# SQUEEGEE SYSTEM

Item	Ref. No.	Qty	Description
1	56324405	1	Mount Weld't
2	56324404	1	Mount Weld't
3	56475480	1	Knob
4	56391855	1	Rod
5	56331076	2	Collar
6	56009084	3	Scr, Soc Set Loc 10-24 x .19
7	56360627	2	Bushing
8	56324432	1	Linkage Weld't
9	56478781	2	Bearing, Sleeve
10	56448112	2	Spring Ext.
11	56001879	2	Wsh, Flt SAE 1/2
12	56001968	2	Scr, Hex Hd 1/2-13 x 1.50
13	56002770	2	Nut, Hex Nyl Loc 1/2-13
14	56324321	1	Bushing
15	56001821	1	Scr, Hex Hd 1/4-20 x .88
16	56492471	1	Bearing
17	56009068	1	Washer 7/16
18	56002098	3	Wsh, Flt SAE 1/4
19	56009018	2	Scr, HWH HP5 1/4-20 x .75
20	56002708	1	Nut, Hex Nyl Loc 1/4-20
21	56206784	2	Bushing
22	56002959	1	Pin, Hair
23	56388599	2	Eye Bolt
24	56470672	2	Spring
25	56002832	2	Nut, Hex Nyl Loc-Thin 10-24
26	56324369	1	Pin
27	56009009	2	Nut, Hex 10-24
28	56393386	2	Spacer
	56372975	1	Squeegee Asembly (#29-44)
29	56363855	2	Wheel
30	56009047	4	Wsh, Flt .31 x .62 x .06
31	56370711	2	Thumb Nut 5/16-18
32	56003269	2	Ring Ret. Ext. Type E
33	56372978	1	Channel Weld't
34	56387376	2	Roller Assy
35	56372992	1	Cartridge Assy Blue (#39-44)
36	56400614	2	Gasket
37	56400613	1	Gasket
38	56002098	2	Wsh, Flt SAE 1/4
39	56105535	2	Blade, Squeegee
40	56105554	1	Channel
41	56105555	1	Retainer
42	56003067	2	Scr, Pan Phil SS 1/4-20 x 1.00
43	56003089	2	Nut, Wing Loc 1/4-20
44	56003037	2	Scr, Pan Phil SS 1/4-20 x .25

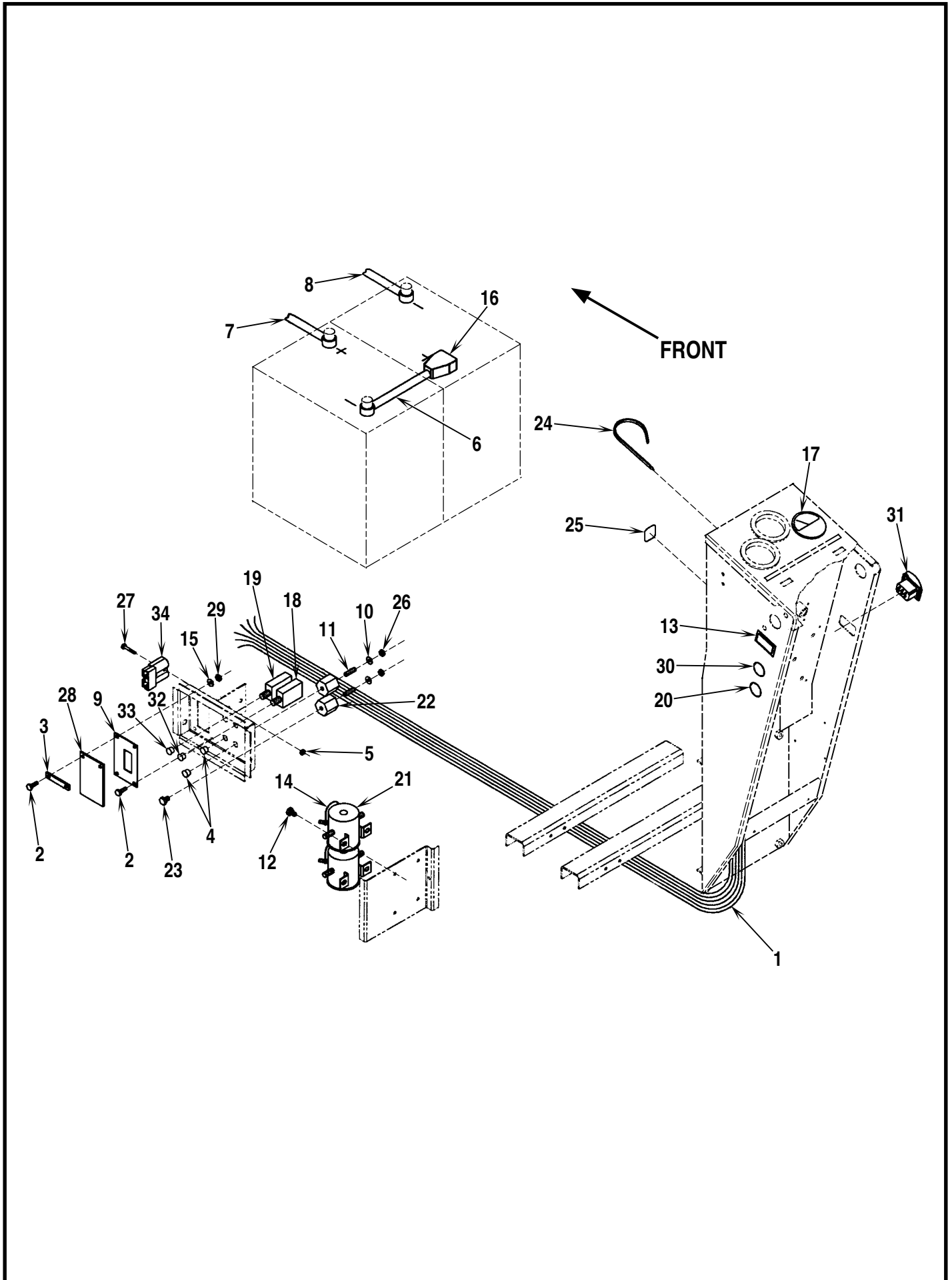




## DECAL SYSTEM

Item	Ref. No.	Qty	Description
1	56015834	1	Decal, Stripe Front
2	56015833	1	Decal, Stripe Left
*	56015832	1	Decal, Stripe Right
3	56014601	1	Decal, Caution
4	56015422	1	Decal, Power
5	56015848	1	Decal, Reset
6	56016025	2	Decal, Caution
7	56324440	1	Pad, Grip
8	56016158	1	Decal, Control
9	56015414	1	Decal, Batteries
10	56016334	1	Decal, Solution Valve
11	56015506	1	Decal, Rotating Brush Hazard
12	56015370	4	Decal, Tie Down
13	56015655	2	Decal, Direction
14	56015843	1	Decal, Wiring

\* = Not Shown



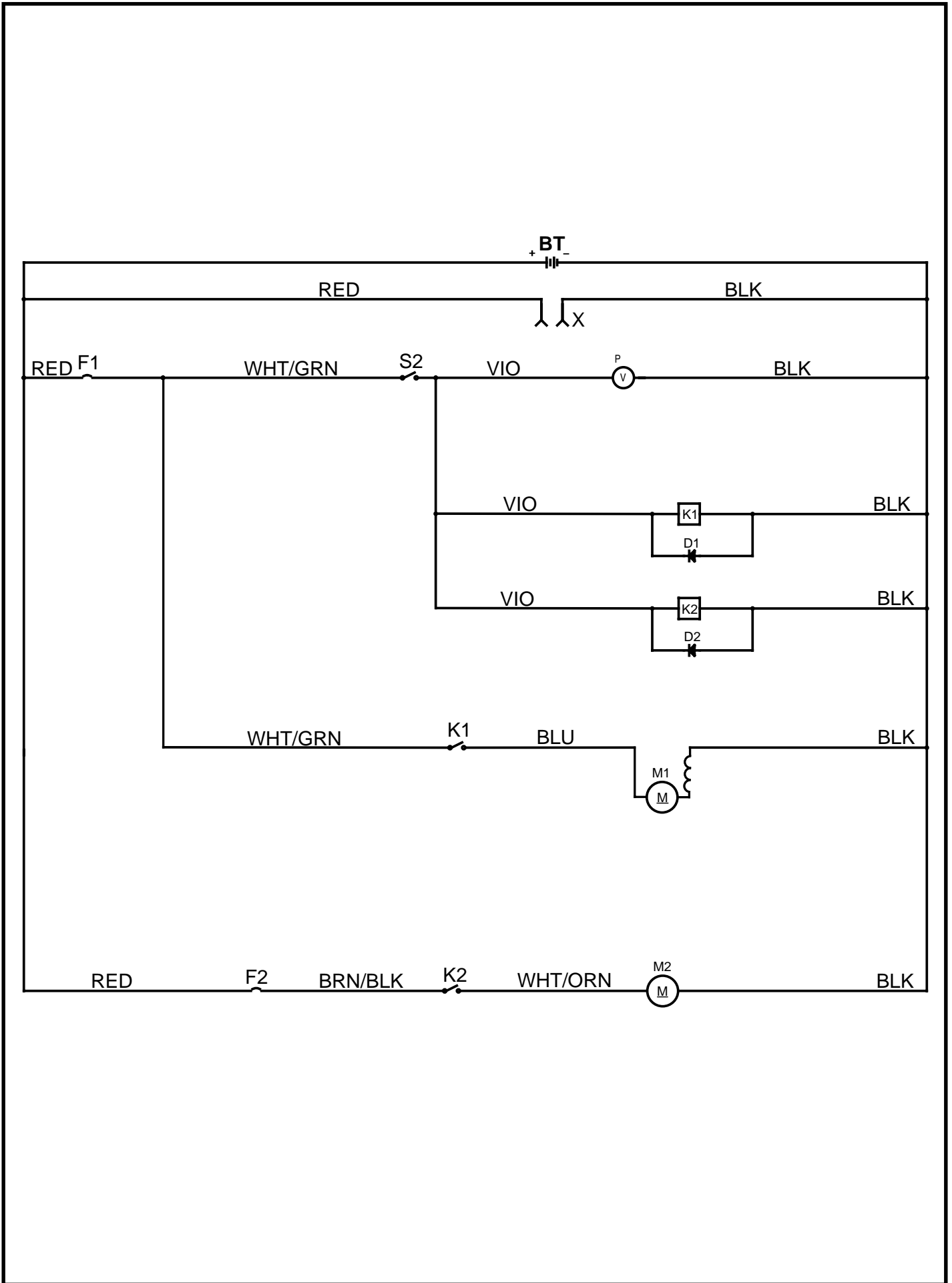
## ELECTRICAL SYSTEM

Item	Ref. No.	Qty	Description
1	56324464	1	Wiring Harness
2	56002504	4	Scr, Hex Hd 10-24 x .75
3	56324085	1	Strap
4	56493149	2	Plug
5	56002830	2	Nut, Hex Nyl Loc 6-32
6	56363928	3	Battery Cable
7	56324284	1	Battery Cable
8	56372526	1	Battery Cable
9	56324304	1	Plate
10	56009064	2	Wsh, Int SHPRF 1/4
11	56009020	2	Stud, 1/4-20 x .88
12	56009019	4	Scr, Hex Thd Form 1/4-20 x .38
13	56260155	1	Plug
14	56389265	2	Diode Assy
15	56001954	4	Wsh, Flt SAE #10
16	56372673	8	Boot, Battery
17	56389529	1	Meter, Battery
*	56492305	2	Rubber, Boot
18	56469788	1	Vac Motor Circuit Breaker, 25 Amp
19	56454423	1	Brush Motor Circuit Breaker, 30 Amp
20	56900144	1	Plug, Cap
21	56468358	2	Solenoid
22	56469858	2	Stand Off, Insulated
23	56002933	2	Scr, Hex Loc 1/4-20 x .38
24	56900753	2	Tie, Push Mount
25	56015592	2	Decal, Cover
26	56009087	2	Nut, Hex Jam 1/4-20
27	56003009	2	Scr, Hex Hd 6-32 x 1.00
28	56324086	1	Flap
29	56002768	4	Nut, Hex Nyl Loc 10-24
30	56015842	1	Decal, Cover
31	56262551	1	Switch, Rocker SPST
32	56459367	1	Boot, Reset Button
33	56459368	1	Boot, Reset Button
34	56324305	1	Charger Plug Housing
*	56324306	2	Charger Plug Contact
*	56324307	1	Battery Charger Adapter <b>Note #1</b>
**	56206962	2	Battery, 12V / 93AH (std.)
**	56376014	4	Battery, 6V/244AH (opt.)
**	56206981	1	Automatic Battery Charger, 24V / 10A (use with 12V batteries)
**	56372947	1	Automatic Battery Charger, 24V / 20A (use with 6V batteries)

\* = Not Shown

\*\* = Not Included

**Note #1:** Battery Charger Adapter with (1) small red plug and (1) large red plug. Use only when switching a machine from its original (std) batteries to a (2) or (4) battery pack. **IMPORTANT!!:** Do Not use this adapter to hook up a 24v, 20 amp charger to (2) 12V batteries.



## WIRING DIAGRAM

Item	Ref. No.	Qty	Description
BT			Battery 24VDC
D1	56389265	1	Diode
D2	56389265	1	Diode
F1	56469788	1	Vac Motor Circuit Breaker, 25 Amp
F2	56454423	1	Brush Motor Circuit Breaker, 30 Amp
K1	56468358	1	Vac Motor Solenoid
K2	56468358	1	Brush Motor Solenoid
M1	56324489	1	Vacuum Motor
*	56503003	1	Carbon Brush Set (for 56324489)
M2	56386261	1	Brush Drive Motor
*	56386263	1	Carbon Brush Set (for 56386261)
P	56389529	1	Battery Condition Meter
S	56262551	1	Main Switch
X	56324305	1	Charger Connector
*	56324306	2	Charger Plug Contact

\* = Not Shown



**Nilfisk  
Advance**  
*setting standards*

Nilfisk-Advance, Inc.  
14600 21st Avenue North  
Plymouth, MN, 55447-3408  
[www.nilfisk-advance.com](http://www.nilfisk-advance.com)  
Phone: 800-989-2235  
Fax: 800-989-6566  
©2001 Nilfisk-Advance, Inc.,  
Plymouth, MN 55447-3408  
Printed in the U.S.A.