

CONVERTAMATIC 17B, 20B, 20E

MODELS 386200, 386002, 386000, 386008

THIS PARTS LIST IS FOR MACHINES
AFTER SERIAL NUMBER 309688

PARTS LIST



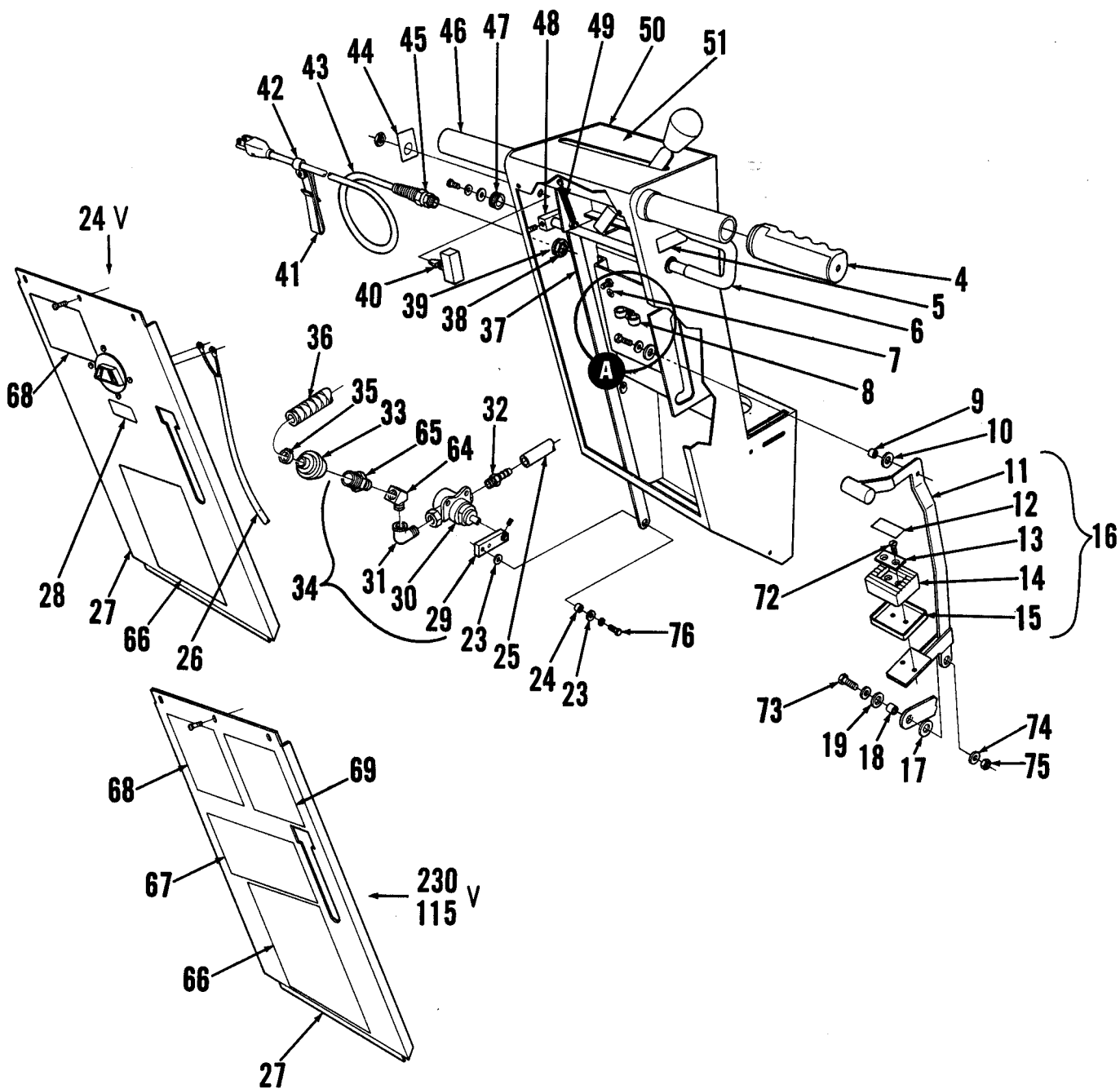
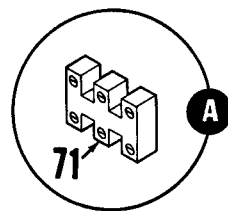
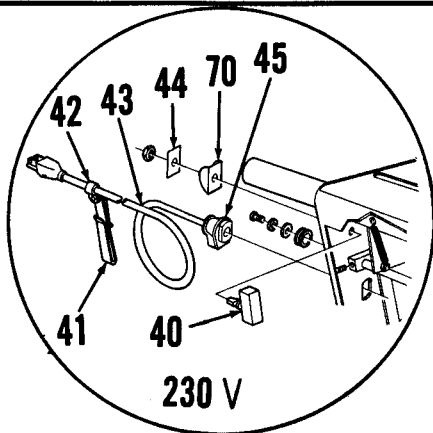
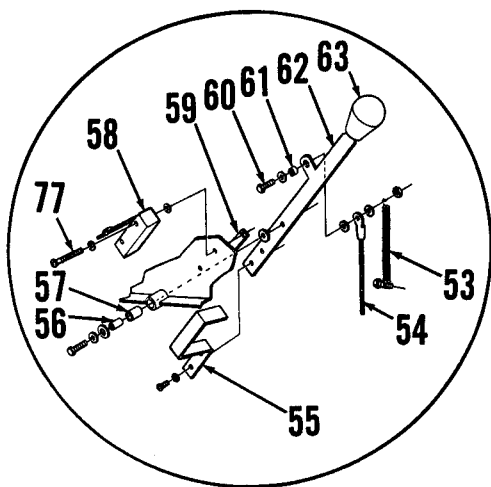
ADVANCE
MACHINE COMPANY®

INTERNATIONAL HEADQUARTERS, Plymouth, MN 55447-3408
EUROPE, Llantrisant, Pontyclun, Mid-Glamorgan CF7 8YZ Wales, United Kingdom
CANADA, 1295 Crestlawn Drive, Mississauga, Ontario L4W 1A9



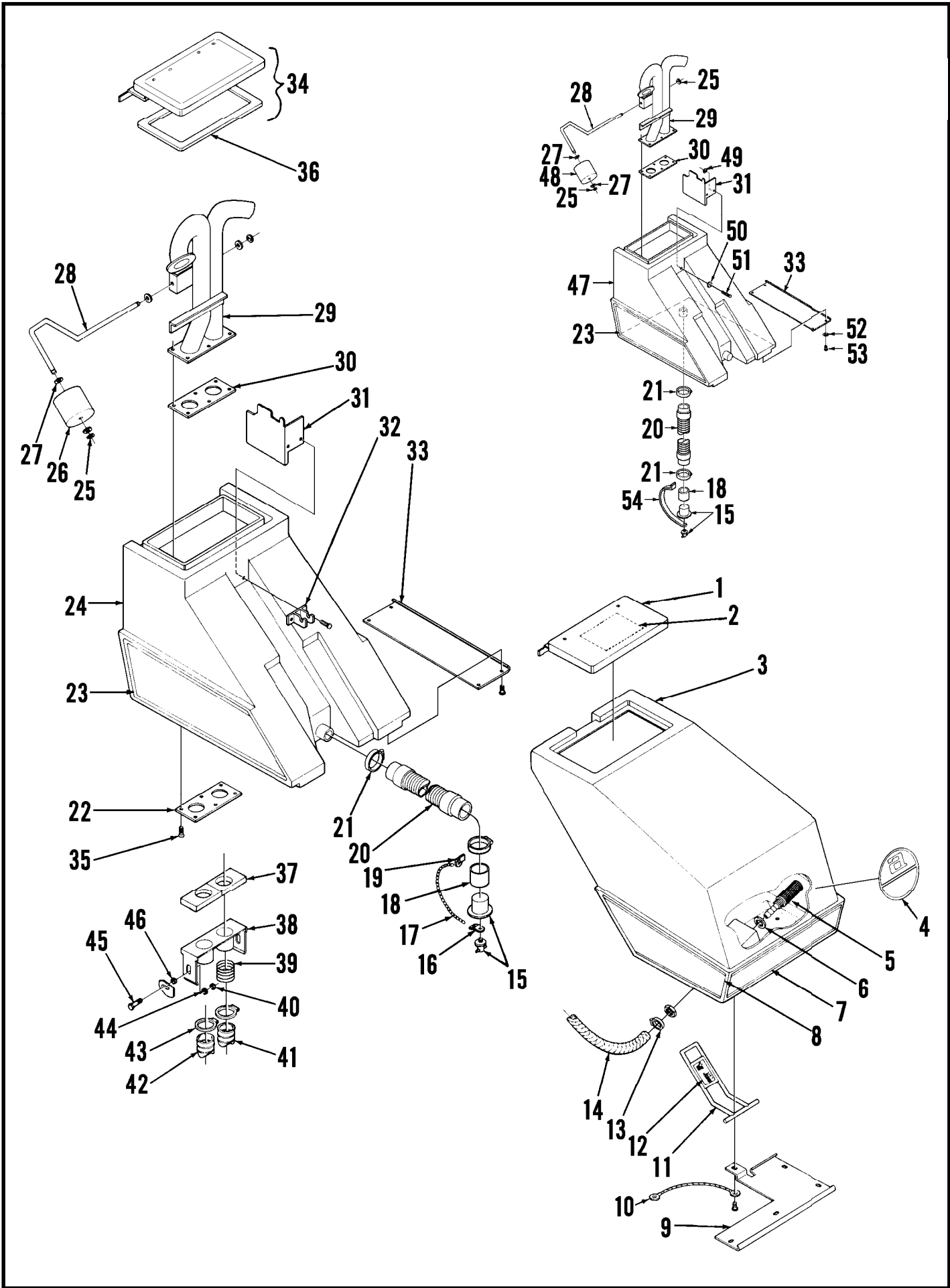
Index for Form Number 042209

Description	Location	page
Battery Housing, 115 & 230 Volt	C8	5
Battery Housing, 24 Volt	C10	7
Brush Drive	D1	11
Control Handle	C4	1
Squeegee & Rear Wheels	C12	9
Tanks	C6	3
Wiring Diagram, 115 Volt	D3	13
Wiring Diagram, 230 Volt	D5	15
Wiring Diagram, 24 Volt	D4	14



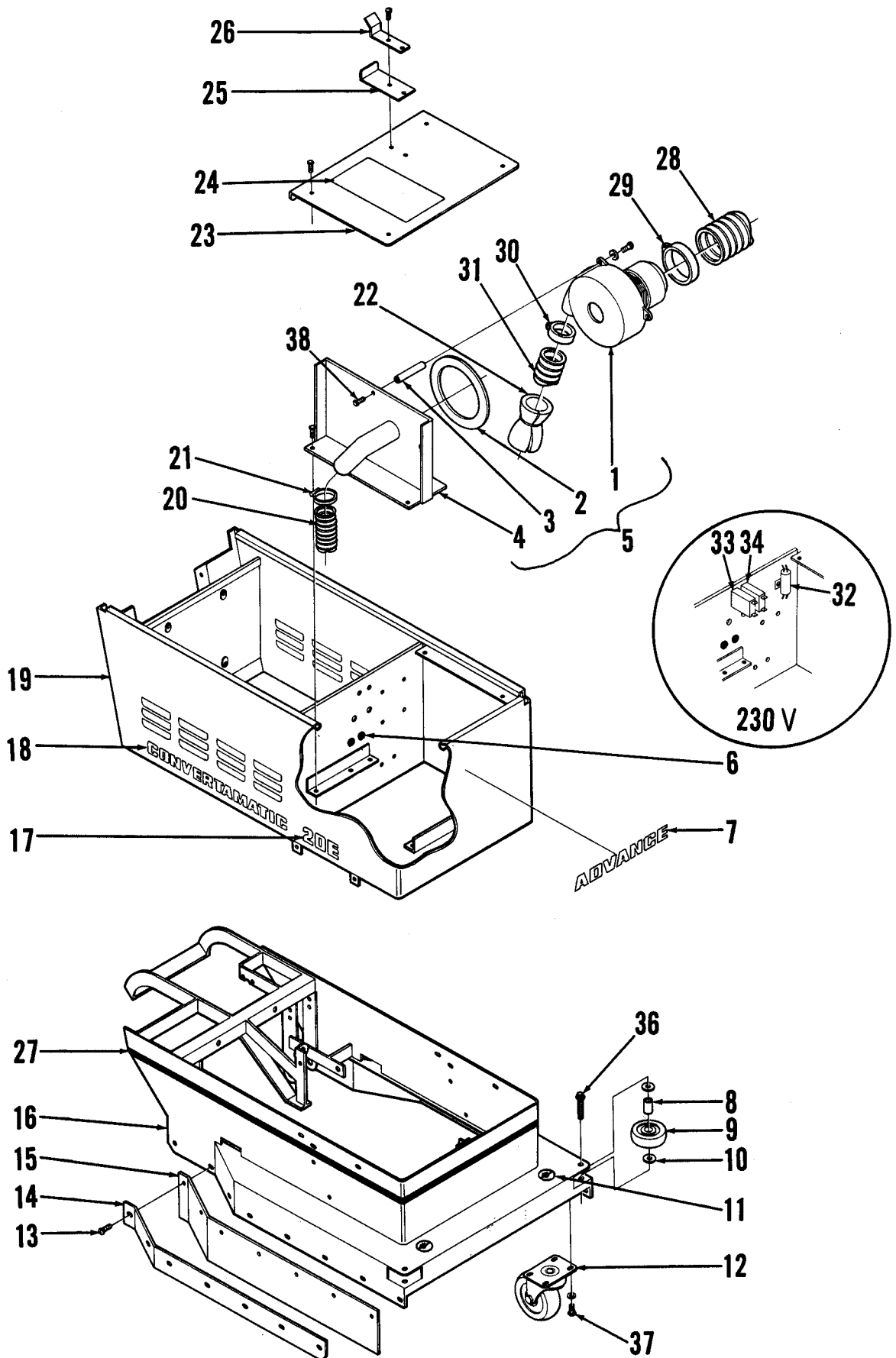
HANDLE ASSEMBLY

Item	Part No.	Qty	Description	Item	Part No.	Qty	Description
4	514085	2	Grip	50	386021	1	Handle 115V
	900248	2	Grip 230V		386096	1	Handle 230V
5	016334	1	Decal, Solution Valve	51	014428	1	Decal, Control Panel
6	385344	1	Lever	53	358560	1	Spring
7	014119	1	Decal, Ground 115V	54	384909	1	Wire Rope
8	328064	2	Clamp	55	385272	1	Strap
9	385356	1	Bushing	56	471220	1	Bushing
10	385358	3	Washer	57	200972	1	Bearing
11	385900	1	Pedal	58	388019	2	Switch
12	016281	1	Decal, Raise Brush	59	376015	2	Nut Plate
13	365081	1	Plate	60	385749	1	Screw
14	365082	1	Pad	61	379298	1	Bushing
15	365083	1	Cup	62	385725	1	Lever
16	385906	1	Pedal Assembly	63	364527	1	Knob
17	398056	1	Spring Washer	64	368938	1	Elbow
18	382086	1	Bushing	65	742173	1	Nipple
19	367214	1	Washer	66	014515	1	Decal, Caution 115V, 230V
23	150142	4	Washer		014601	1	Decal, Caution 24V
24	368997	6	Bushing	67	014030	1	Decal, Caution
25	158771	1	Solution Tube	68	014639	1	Decal, Caution
26	385952	1	Cord Assembly 24V	69	014018	1	Decal, Grade Notice
27	385335	1	Back Panel 115V, 230V	70	200352	1	Switch Guard 230V
	385336	1	Back Panel Assembly 24V	71	183523	1	Terminal Block 230V
28	054192	1	Decal, Charger 24V	72		2	1/4-20 x 3/4 Screw
29	385450	1	Arm	73		1	1/2-13 x 1-1/2 Screw
30	368903	1	Valve	74		2	1/2 Washer
31	369632	1	Elbow	75		1	1/2 Nut
32	155640	1	Barb	76		1	1/4-20 x 1 Screw
33	386109	1	Filter Assembly	77		2	4-40 x 2 Screw
	386108	1	Screen (for Filter Assembly)				
34	386088	1	Valve Assembly				
35	756364	1	Hose Clamp				
36	386082	1	Hose (to Solution Tank)				
37	386087	1	Strap				
38	200441	1	Nut 115V				
	453691	1	Spacer 24V				
39	200433	1	Washer 115V				
40	200340	1	Switch 115V				
	301636	1	Switch 230V				
	207071	1	Switch 24V				
41	300187	1	Belt Clip 115V, 230V				
42	300152	1	Clamp 115V, 230V				
43	330871	1	Power Cord 115V				
	385171	1	Power Cord 230V				
44	016112	1	Decal, Switch 115V				
	014016	1	Decal, Switch 230V				
45	162736	1	Strain Relief 115V				
	183586	1	Strain Relief 230V				
46	385721	1	Tube				
47	329098	2	Bearing				
48	385727	1	Lever				
49	328790	1	Spring				



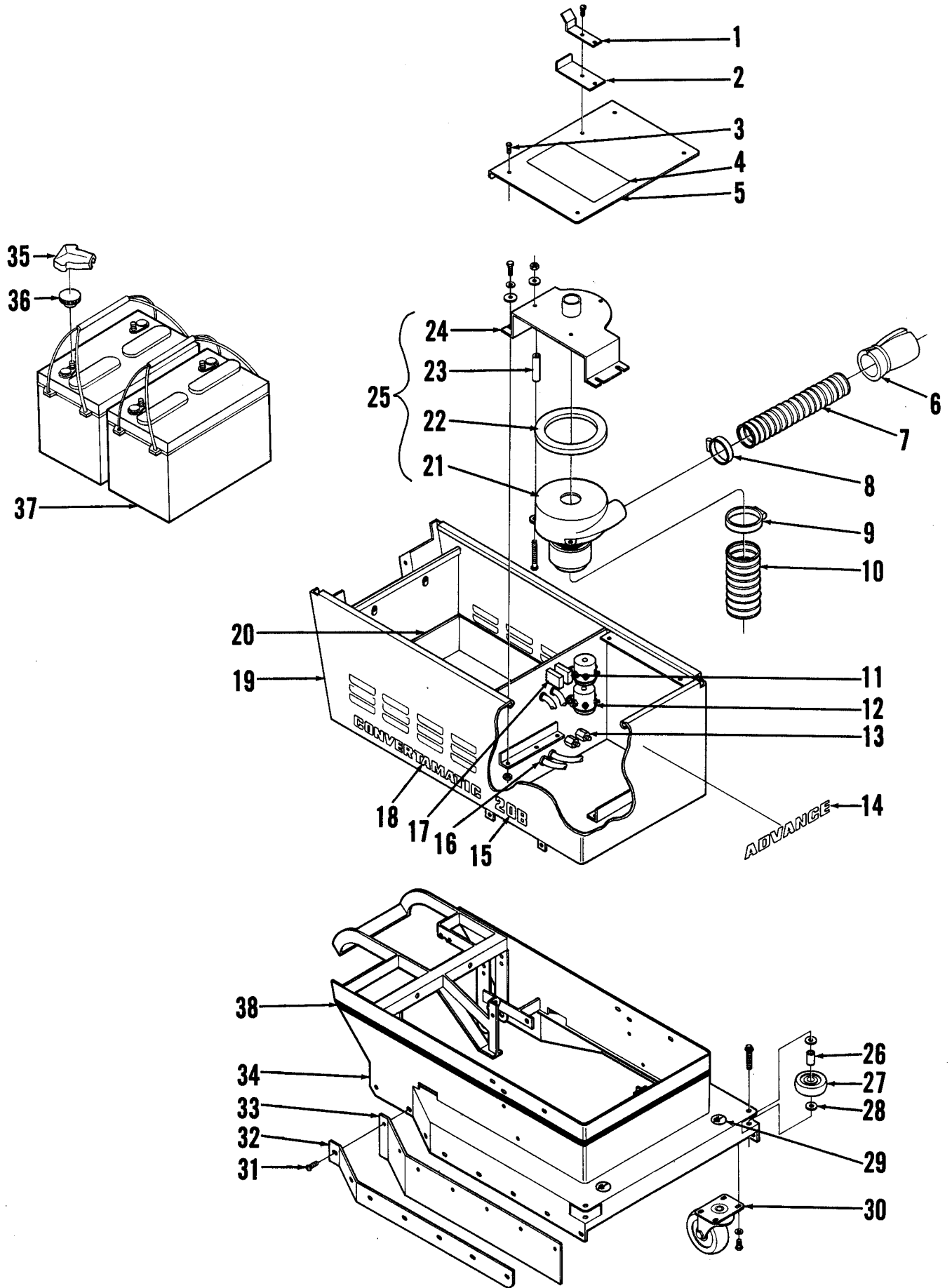
TANK ASSEMBLIES

Item	Part No.	Qty	Description	Item	Part No.	Qty	Description
	386009	1	Solution Tank Assy (#1-14)	Items 48-54 are for new style recovery tank, item #47			
	386010	1	Recovery Tank Assy (#15-31)	47	386178	1	Recovery Tank (rear drain, new style)
1	386062	1	Cover Assembly				
2	014517	1	Decal, Important	48	385352	1	Float
3	386012	1	Solution Tank	49	002491	2	1/4-20 Lock Nut
4	023308	1	Emblem	50	456068	2	Sealing Washer
5	368725	1	Filter Assembly	51	002957	2	1/4-20 x .75 Screw
6	368776	1	Washer	52	002098	4	Washer
7	014433	1	Front Stripe	53	001861	4	1/4-20 x .38 Screw
8	014432	1	Right Stripe	54	261378	1	Strap
	014430	1	Left Stripe (Not Shown)				
9	386052	1	Panel				
10	325240	1	Wire Rope				
11	386051	1	Latch				
12	014442	1	Decal, Lift Latch				
13	219932	1	Hose Clamp				
14	386082	1	Solution Tube				
15	260098	1	Plug				
16	376942	1	Clip				
17	209992	1	Chain				
18	261297	1	Tube				
19	376944	1	Clip				
20	386035	1	Drain Hose				
21	329145	2	Hose Clamp				
22	386033	1	Plate				
23	014431	1	Right Stripe				
	014429	1	Left Stripe (Not Shown)				
24	386014	1	Recovery Tank (front drain, old style)				
25	321125	2	Retaining Ring				
26	385352	1	Float				
27	454626	2	Washer				
28	386074	1	Lever				
29	386029	1	Vacuum/Recovery Tube				
30	386034	1	Gasket				
31	386078	1	Baffle				
32	386058	1	Hitch				
33	386055	1	Panel				
34	386061	1	Cover Assembly TSB 531 - G12				
35	900188	6	1/4-20 x 1 Screw				
36	386059	1	Gasket				
37	386161	2	Gasket				
38	386064	1	Hose Bracket				
39	404800	2	Spring				
40		2	10-24 Nut				
41	386060	1	Hose (to Squeegee)				
42	386081	1	Hose (to Vacuum Motor)				
43	329145	3	Hose Clamp				
44		2	#10 Washer				
45		2	10-24 x 3/4 Screw				
46	151092	2	Bushing				



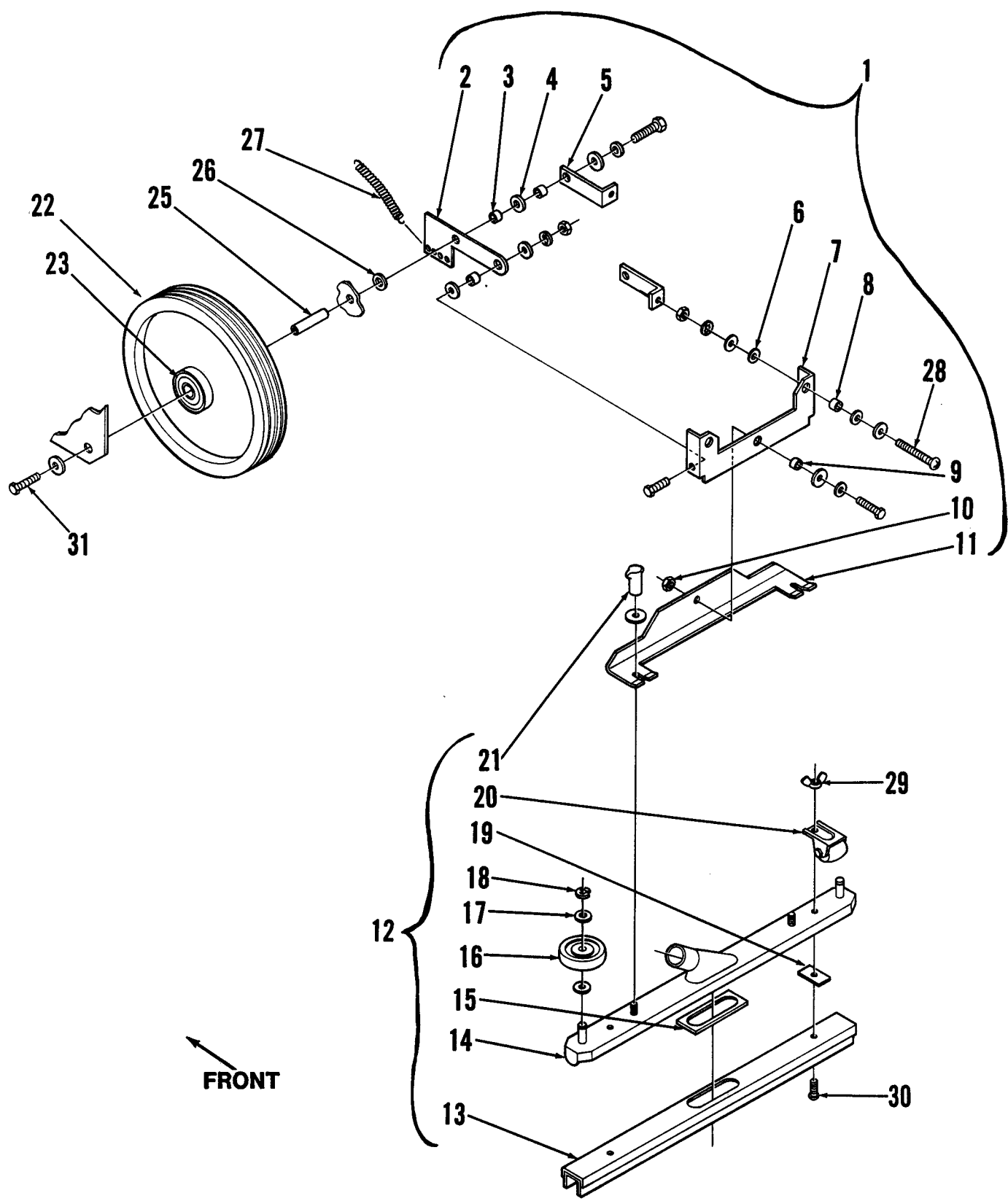
230V, 115V HOUSING

Item	Part No.	Qty	Description
1	385587	1	Vacuum Motor 115V
	323097	1	Carbon Brush Set for 385587
	385609	1	Vacuum Motor 230V
	503021	1	Carbon Brush Set for 385609
2	385437	1	Gasket
3	385591	3	Stand-Off 115V
	385130	3	Stand-Off 230V
4	386048	1	Motor Mount
5	386068	1	Vacuum Motor Assembly 115V
	386083	1	Vacuum Motor Assembly 230V
6	900041	2	Plug Cap
7	014046	1	Decal, Advance
8	360139	2	Bushing
9	363855	2	Wheel
10	371009	4	Washer
11	030080	2	Decal, Hands Clear
12	206725	2	Caster
13	384929	14	#10-24 x 1/2 Screw
14	382896	1	Right Strap
	382893	1	Left Strap (Not Shown)
15	382019	2	Skirt
16	386036	1	Chassis
17	014436	1	Decal, 20E
18	014434	1	Decal, Convertamatic
19	386028	1	Housing
20	386081	1	Vacuum Hose (to Recovery Tank)
21	329145	1	Hose Clamp
22	391807	1	Foam
23	386049	1	Cover
24	014490	1	Decal, Wiring 115V
	014032	1	Decal, Wiring 230V
25	386053	1	Plate
26	386054	1	Catch
27	014043	1	Decal, Stripe
28	385211	1	Hose
29	352829	1	Hose Clamp
30	440213	1	Hose Clamp
31	385599	1	Hose
32	387426	1	RFI Filter 230V
33	168444	1	Circuit Breaker 8 Amp
34	329177	1	Circuit Breaker 6 Amp
36		2	10-24 x 1-1/2 Screw
37		8	10-24 x 1 Screw
38		6	3/8-16 x 1 Screw



24V HOUSING

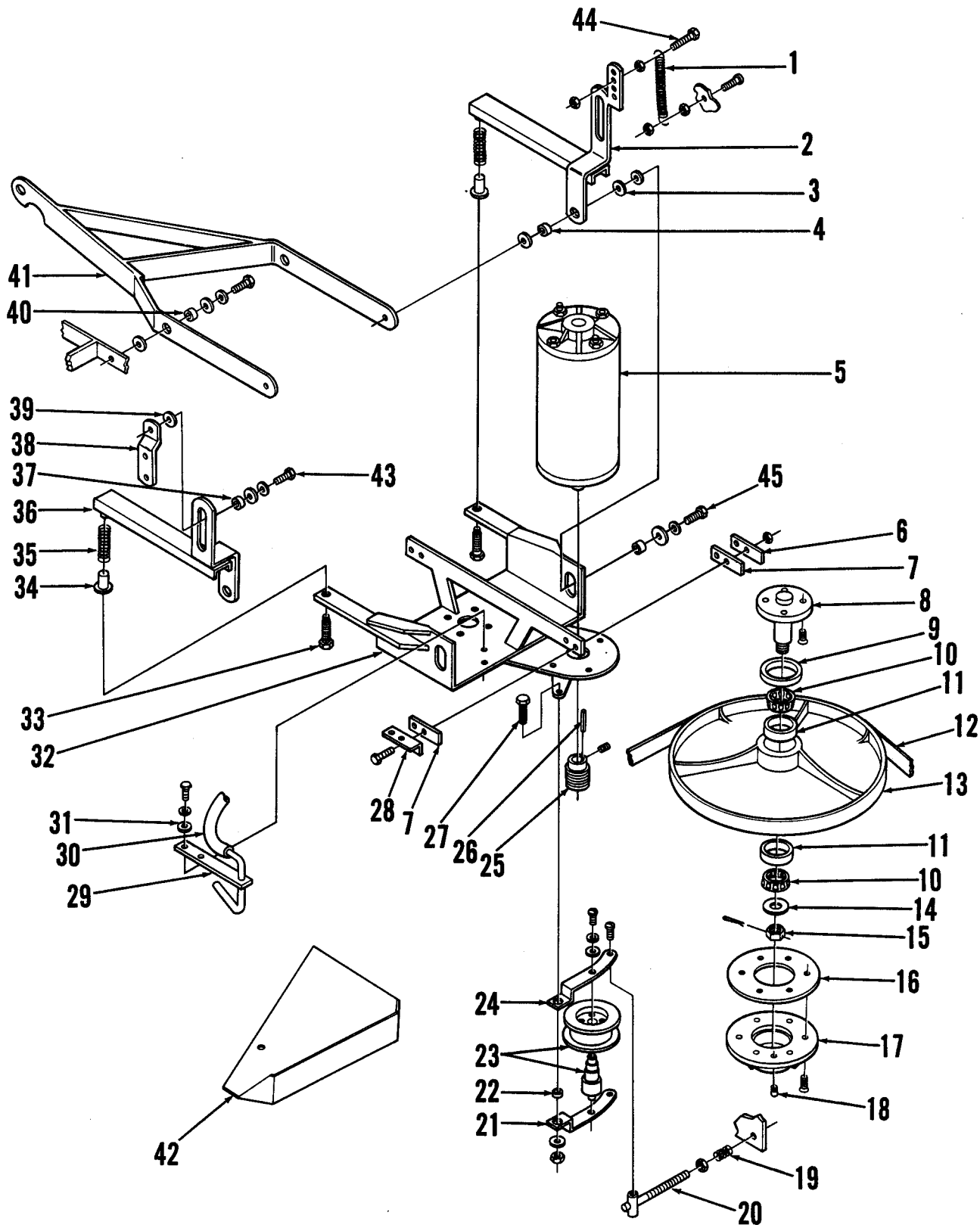
Item	Part No.	Qty	Description
1	386054	1	Catch
2	386055	1	Plate
3		4	Screw
4	014182	1	Decal, Wiring 24V
5	386049	1	Cover
6	391807	1	Foam
7	385599	1	Hose
8	440213	1	Hose Clamp
9	352829	1	Hose Clamp
10	385211	1	Hose
11	454423	1	Circuit Breaker 30A
12	468358	2	Solenoid
13	469858	2	Stand-Off
14	014046	1	Decal, Advance
15	014491	1	Decal, 20B
	014512	1	Decal, 17B
16	382818	4	Strain Relief
17	395454	1	Circuit Breaker 20A
18	014434	1	Decal, Convertamatic
19	386028	1	Housing
20	385531	1	Battery Tray
21	372505	1	Vacuum Motor 24V
	503003	1	Carbon Brush Set for 372505
22	385437	1	Gasket
23	385130	3	Stand-Off
24	386091	1	Motor Mount
25	386093	1	Vacuum Motor Assembly
26	360139	2	Bushing
27	363855	2	Wheel
28	371009	4	Washer
29	030080	2	Decal, Hands Clear
30	206725	2	Caster 20"
	385070	2	Caster 17"
31	384829	14	Screw
32	382896	1	Right Strap 20"
	385656	1	Right Strap 17"
	382893	1	Left Strap 20"
	385654	1	Left Strap 17"
33	382019	2	Guard
34	386036	1	Chassis 20"
	386238	1	Chassis 17"
35	372673	4	Boot
36	386222	4	Knob
37	206962	2	Battery (Not Included)
38	014043	1	Decal, Stripe



SQUEEGEE AND MOUNT

Item	Part No.	Qty	Description
1	381812	1	Squeegee Mount Assembly
2	381840	2	Pivot Arm
3	368997	6	Bushing
4	150142	12	Washer
5	381845	2	Adjusting Arm
6	163880	4	Spring Washer
7	381816	1	Bracket
8	206784	2	Bushing
9	381818	1	Bushing
10	469021	1	Nut
11	381814	1	Squeegee Mount
12	382350	1	Squeegee Assembly, 20"
	385025	1	Squeegee Assembly, 17"
13	382356	1	Squeegee Cartridge, 20" TSB 590 - G9
	385032	1	Squeegee Cartridge, 17" TSB 590 - G9
14	382352	1	Channel
15	400613	1	Gasket
16	363855	2	Wheel
17	371009	4	Washer
18	157060	2	Retaining Ring
19	400614	2	Gasket
20	387376	2	Roller
21	370711	2	Thumb Nut
22	377945	2	Wheel Assembly
23	362352	4	Ball Bearing
25	382035	2	Axle
26	151114	6	Washer
27	370355	2	Spring
28		2	1/4-20 x 2 Screw
29		2	1/4-20 Wing Nut
30		2	1/4-20 x 3/4 Screw
31		4	1/4-20 x 1/2 Screw

FRONT

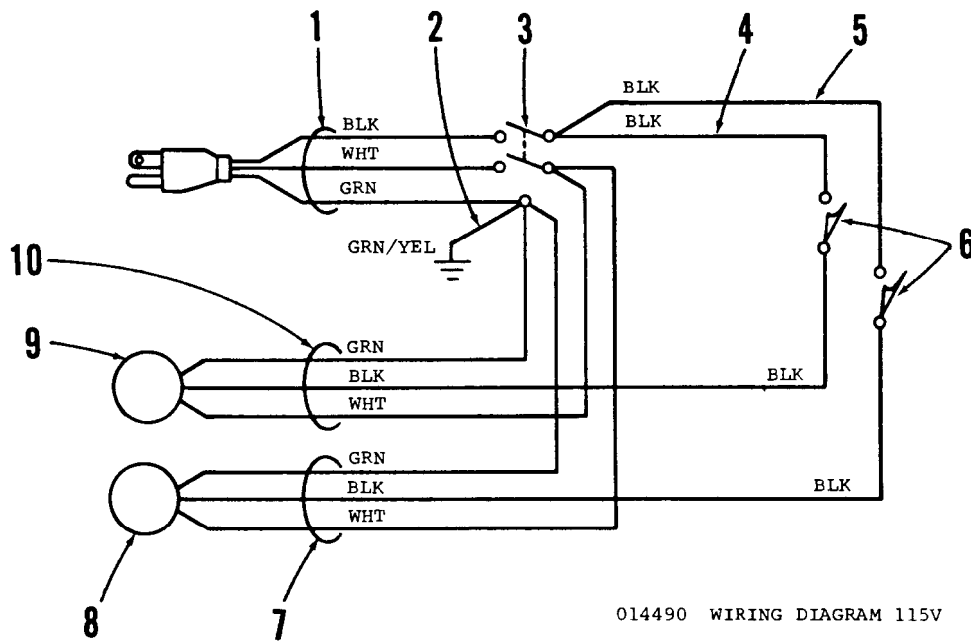


BRUSH DRIVE

Item	Part No.	Qty	Description	Part No.	Qty	Description
1	398606	1	Spring			Optional Brushes:
2	385893	1	Bracket	505331	1	Prolene Brush, 17"
3	398056	2	Spring Washer	505450	1	Prolene Brush, 20"
4	382086	4	Bushing	385006	1	Nylon Scrub Brush, 17"
5	385630	1	Motor 115V	505334	1	Union Mix Polish Brush, 17"
	386261	1	Motor 24V	505454	1	Union Mix Polish Brush, 20"
	386263	1	Carbon Brush Set for 386261	505330	1	Short Trim Pad Holder, 17"
	387009	1	Motor 230V	171335	1	Short Trim Pad Holder, 20"
6	386160	3	Plate			
7	386105	4	Wear Strip			
8	171056	1	Shaft			
9	171078	1	Seal			
10	378267	2	Bearing Cone			
11	378259	2	Bearing Cup			
12	171200	1	Belt			
13	171376	1	Pulley			
14	163449	1	Washer			
15	158313	1	Nut			
16	158275	1	Gasket			
17	163430	1	Drive Cap			
18	361321	1	Bullet Catch			
19	171271	1	Spring			
20	386273	1	Linkage			
21	386284	1	Bottom Bracket			
22	206784	1	Bushing			
23	171437	1	Idler Assembly			
24	386282	1	Top Bracket			
25	171088	1	Sheave			
26	443719	1	Key			
27	440329	1	Screw			
28	382984	1	Bracket			
29	385776	1	Pipe			
30	158771	1	Solution Tube			
31	151114	2	Washer			
32	385662	1	Motor Mount 115V, 230V			
	385914	1	Motor Mount 24V			
33	386213	2	Adjusting Screw			
34	386216	2	Guide Bushing			
35	372129	2	Spring			
36	385890	1	Bracket			
37	365030	2	Bushing			
38	386228	2	Bracket			
39	367214	14	Washer			
40	360627	2	Bushing			
41	382968	1	Arm			
42	385141	1	Belt Guard			
43		2	1/2-13 x 1-1/2 Screw			
44		1	1/4-20 x 1 Screw			
45		2	1/2-13 x 1-1/2 Screw			

WIRING DIAGRAM 115V

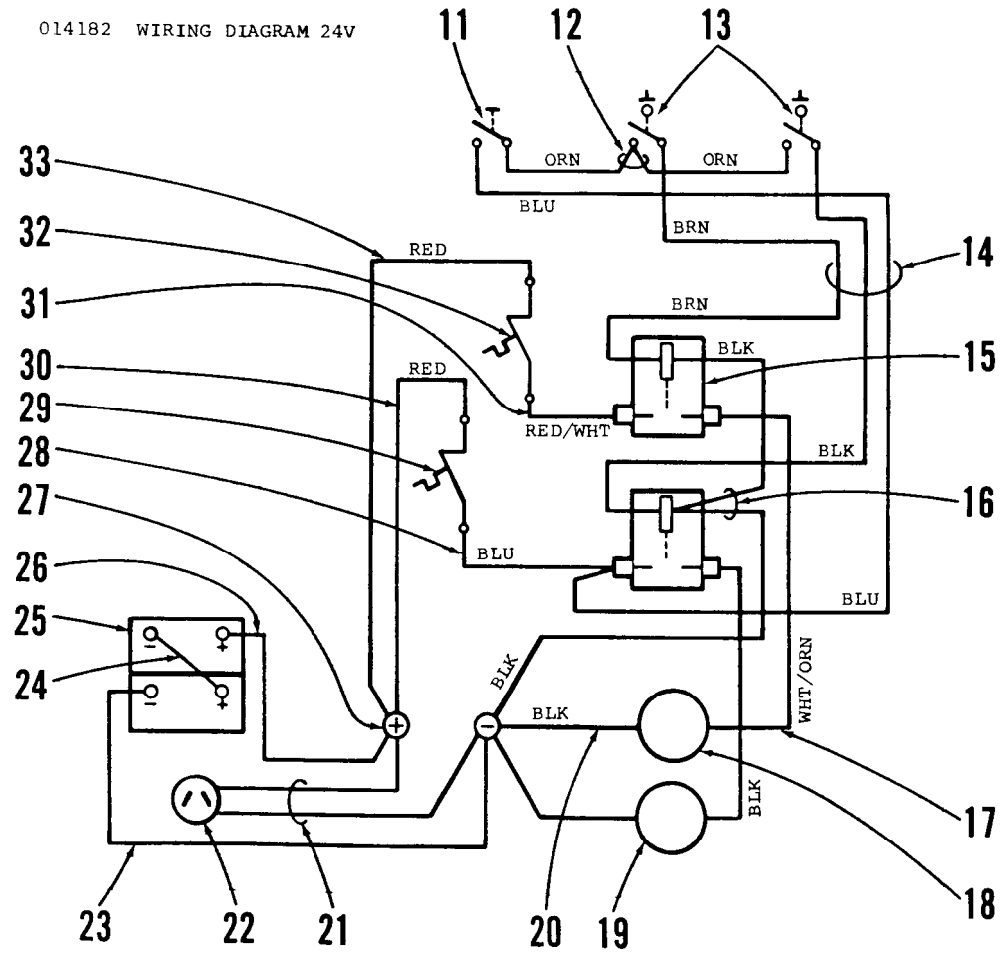
Item	Part No.	Qty	Description
1	330871	1	Power Cord
2	385754	1	Wire Assembly
3	200340	1	Switch
4	385958	1	Wire Assembly
5	468314	1	Wire Assembly
6	388019	2	Switch
7	385577	1	Cord Assembly
8	385630	1	Brush Motor
9	385587	1	Vacuum Motor
10	385573	1	Cord Assembly



014490 WIRING DIAGRAM 115V

WIRING DIAGRAM 24V

Item	Part No.	Qty	Description	Item	Part No.	Qty	Description
11	207071	1	Switch	23	386212	1	Battery Cable
12	385208	1	Wire Assembly	24	454552	1	Battery Cable
13	388019	2	Switch	25	206962	2	Battery (Not Included)
14	385165	1	Cord Assembly	26	386215	1	Battery Cable
15	468358	2	Solenoid	27	469858	2	Stand-Off
16	385154	1	Wire Assembly	28	385159	1	Wire Assembly
17	385157	1	Wire Assembly	29	395454	1	Circuit Breaker 20A
18	386261	1	Brush Motor	30	385163	1	Wire Assembly
19	372505	1	Vacuum Motor	31	385158	1	Wire Assembly
20	385156	1	Wire Assembly	32	454423	1	Circuit Breaker 30A
21	385952	1	Cord Assembly	33	385161	1	Wire Assembly
22	386119	1	Charger Receptacle				



WIRING DIAGRAM 230V

Item	Part No.	Qty	Description
X	183523	1	Terminal Block
S3	301636	1	Main Switch
S1	388019	1	Vacuum Motor Switch
F1	329177	1	6 Amp Circuit Breaker
C1	387426	1	RFI Filter
M1	385609	1	Vacuum Motor
C2		1	Capacitor
S2	388019	1	Brush Motor Switch
F2	168444	1	8 Amp Circuit Breaker
M2	387009	1	Brush Motor

