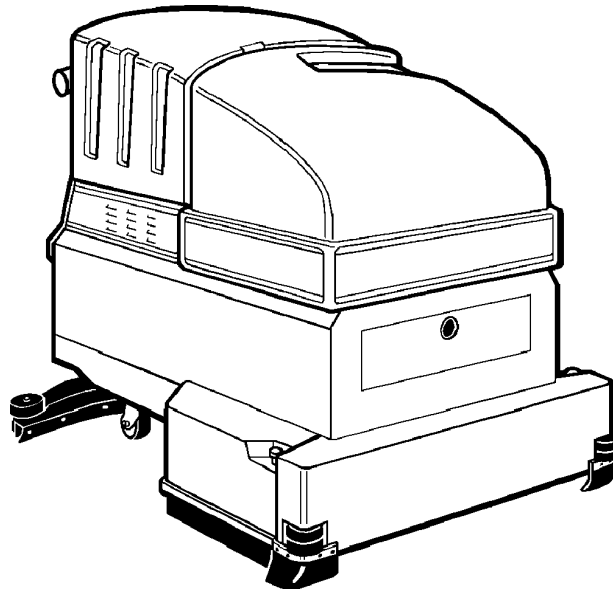


Convertamatic™ 325LX / 385LX

Hydro-Retriever™ 325HD / 385HD

Lynx™ 325 / 385



PARTS LIST

Advance MODELS 56392700(325LX), 56392701(385LX)

56392703(325HD & Lynx), 56392702(385HD & Lynx)

All models covered in this manual are Obsolete.

This parts list is for machines after serial number 488316



Advance
by Nilfisk-Advance

revised 11/01 Form Number 56042274

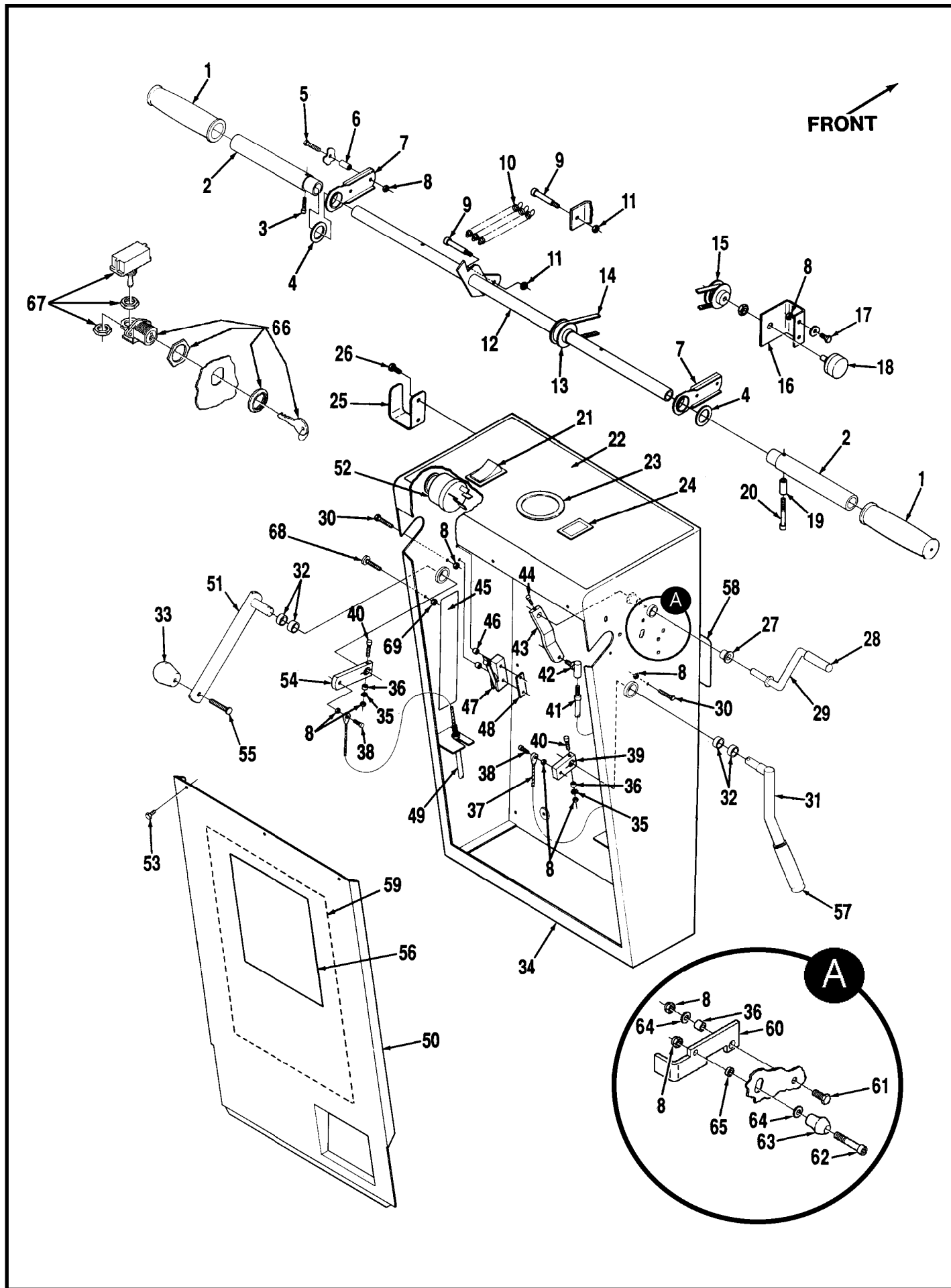
TABLE OF CONTENTS

DESCRIPTION	PAGE
Control Handle	1-2
Electrical Panel	3-4
Chassis - 325LX, 385LX	5-6
Chassis - 325HD, 385HD	7-8
Vacuum Motor	9-10
Drive System	11-12
Brush Drive Lift	13-14
Brush Drive - 325	15-16
Brush Drive - 385	17-18
Recovery Tank - (before SN 498303)	19-20
Recovery Tank - (after SN 498302)	21-22
Solution Tank	23-24
Squeegee Mount	25-26
Squeegee - (before SN 606047)	27-28
Squeegee - (after SN 606046)	29-30
Wiring Diagram - (before Feb. 1993)	31-32
Wiring Diagram - (after Jan. 1993)	33-34

WHEN ORDERING PARTS

- * Use the 8 digit numbers from the "Ref. No." columns in this parts list.
- * Specify the model and serial number of the machine.
- * Use the space below to record the model and serial number for future reference.

Model _____ Serial No. _____

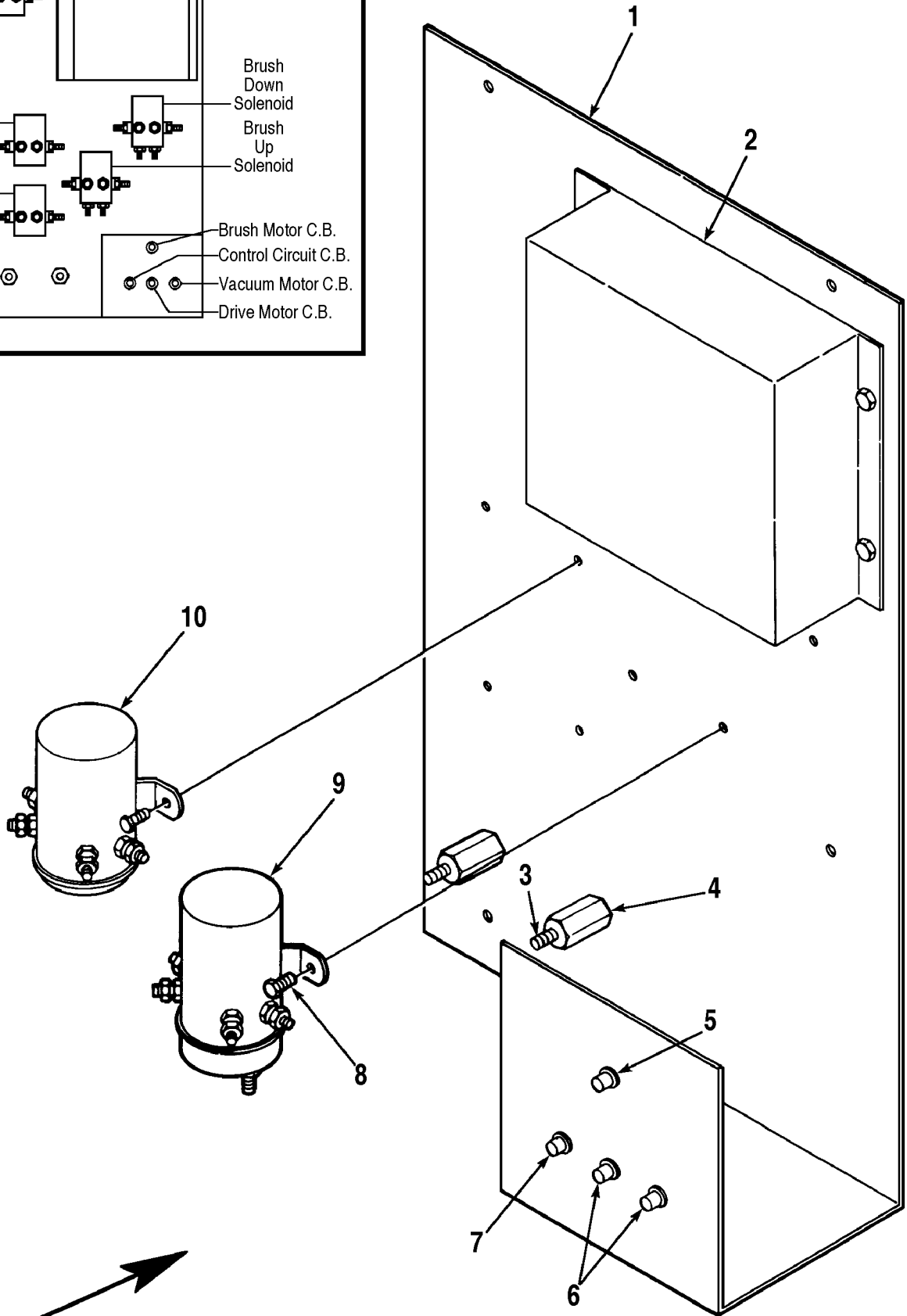
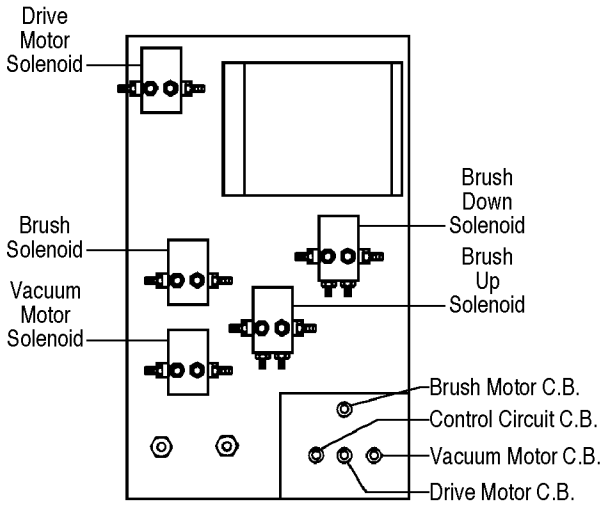


CONTROL HANDLE

Item	Ref. No.	Qty	Description	Item	Ref. No.	Qty	Description
1	56388545	2	Hand Grip	37	56391306	1	Brake Cable
2	56261064	2	Tube	38	56002034	2	1/4-20 x 1 Cap Screw
3	56002179	1	#10-24 x 1 Cap Screw	39	56391504	1	Lever
4	56367192	2	Washer	40	56001961	2	1/4-20 x 1-1/4 Cap Screw
5	56001833	4	1/4-20 x 1-1/2 Screw	41	56488292	1	Solution Valve Cable
6	56261066	4	Bushing	42	56488290	1	Ball Joint
7	56261097	2	Bearing	43	56391494	1	Lever
8	56002708	14	1/4-20 Nut Nyloc	44	56002115	1	1/4-20 x 1/2 Cap Screw
9	56900481	2	Shoulder Screw	45	56025363	1	Decal, Caution
10	56358560	3	Spring	46	56369004	2	Bushing
11	56002768	2	#10-24 Nut Nyloc	47	56388019	1	Switch
12	56392733	1	Tube	48	56376015	1	Nut Plate
13	56392717	1	Pulley	49	56391305	1	Squeegee Cable
*	56002015	2	#10-24 x 1/4 Set Screw	50	56392078	1	Cover
14	56392721	1	Belt	51	56391496	1	Squeegee Lever
15	56324202	1	Pulley	52	56478640	1	Main Switch Note #1
*	56002279	2	#8-32 x 1/4 Set Screw		56478641	A/R	Replacement Key for 56478640
16	56392718	1	Bracket	53	56002518	3	#10-24 x 3/8 Screw HP-5
17	56001854	2	1/4-20 x 1/2 Screw	54	56391497	1	Lever
18	56454740	1	Potentiometer	55	56002667	1	5/16-18 x 3/4 Bolt
19	56475411	1	Bushing	56	56014601	1	Decal, Caution
20	56002454	1	#10-24 x 1-1/2 Cap Screw	57	56391311	1	Hand Grip
21	56377003	1	Switch	58	56014461	1	Decal, Cable Routing
22	56015362	1	Decal, Control Panel Note #4	59	56015187	1	Decal, Wiring Note #4
*	56015657	1	Decal, Control Panel Note #5	*	56015658	1	Decal, Wiring Note #5
23	56392668	1	Battery/Hour Meter TSB568, TSB634	60	56392091	1	Parking Brake Catch Lever Note #3
24	56467410	1	Indicator Light	61	56001836	1	1/4-20 x 5/8 Screw Note #3
25	56392765	1	Hook	62	56002242	1	1/4-20 x 1-1/2 Soc. Hd Screw Note #3
26	56002503	2	#10-24 x 1/2 Screw	63	56362426	1	Knob Note #3
27	56324505	2	Bearing	64	56002098	2	1/4 Flat Washer Note #3
28	56376486	1	Cap	65	56328758	1	Bushing Note #3
29	56391495	1	Solution Lever	66	56393325	1	Keylock Bracket Note #2
30	56001821	2	1/4-20 x 7/8 Screw		56393415	A/R	Replacement Key for 56393325
31	56391501	1	Brake Lever	67	56301636	1	Toggle Switch Note #2
32	56366633	4	Bearing	68	56002794	1	5/16-18 x 1 Bolt
33	56364527	1	Knob	69	56002826	1	5/16-18 Thin Nyl Loc Nut
34	56392723	1	Control Handle Note #4				
*	56392117	1	Control Handle Note #5				
35	56001803	2	1/4 Shakeproof Washer				
36	56379298	3	Bushing				

* = Not Shown

Note #1: This part is used on machines before serial #0563278.**Note #2:** This part is used on machines after serial #0563277.**Note #3:** This part is used on machines after serial #0568435.**Note #4:** This part is used on machines before serial #1018020.**Note #5:** This part is used on machines after serial #1018019.

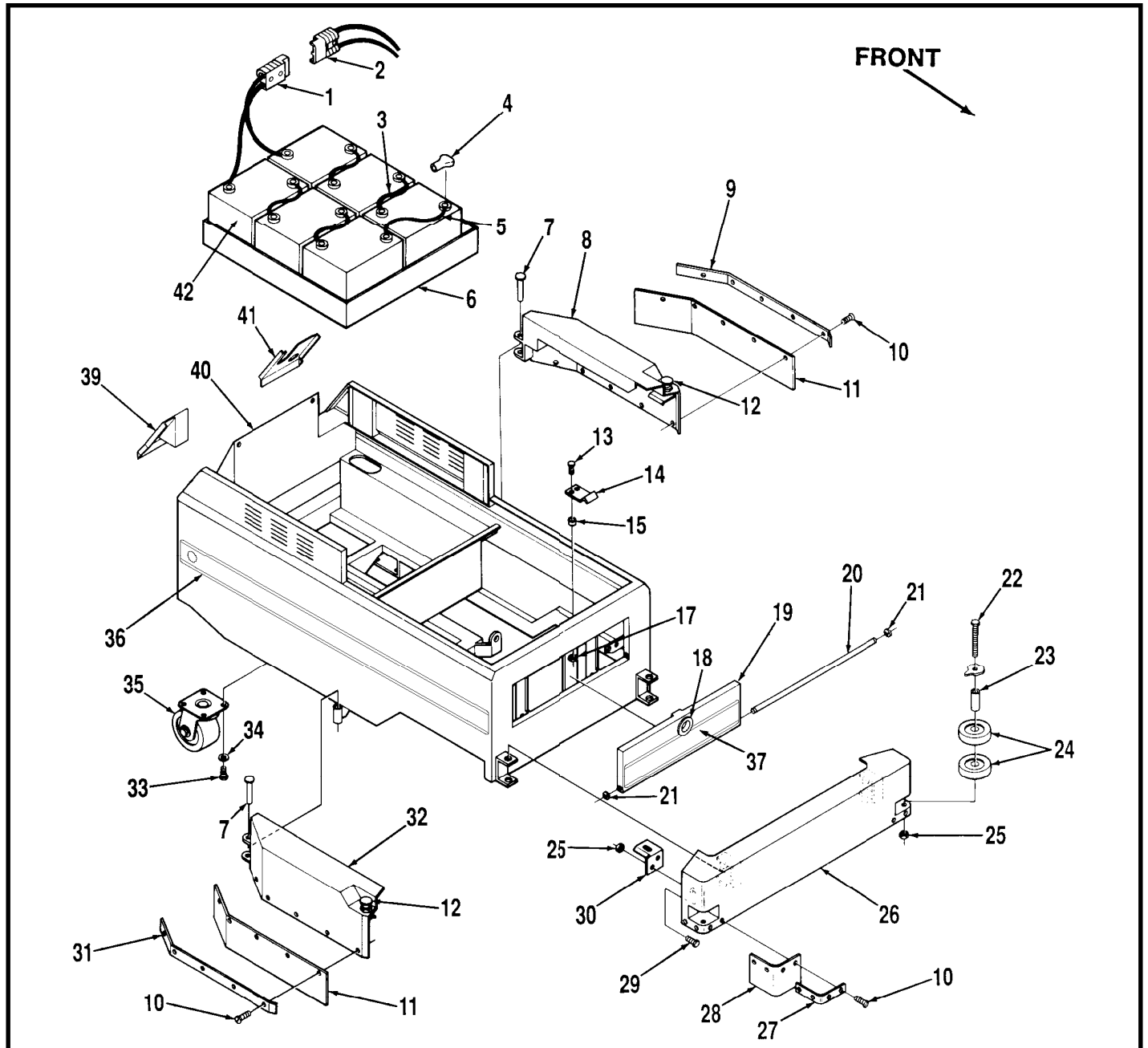


FRONT

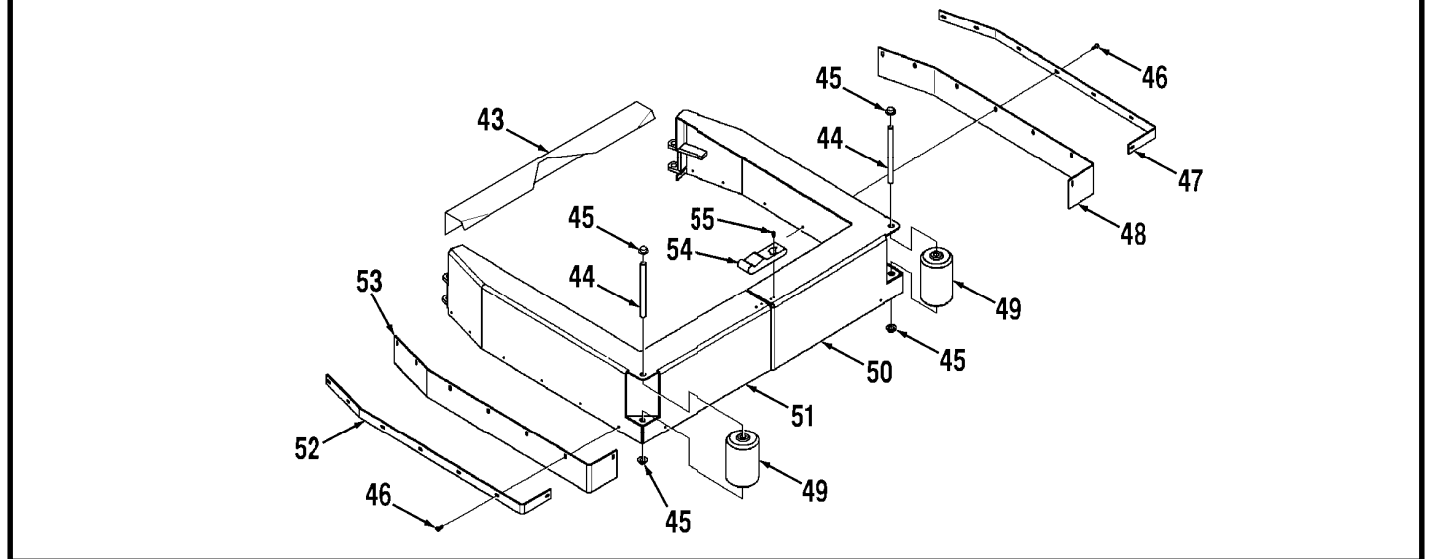
ELECTRICAL PANEL

Item	Ref. No.	Qty	Description
1	56392678	1	Electrical Panel
2	56391210	1	Speed Control TSB 633, TSB 635
3	56454376	2	Stud
4	56469858	2	Stand-Off
5	56454429	1	70 Amp Circuit Breaker
6	56469788	2	25 Amp Circuit Breaker
7	56387328	1	5 Amp Circuit Breaker
8	56002530	8	1/4-20 x 3/8 HP-5 Screw
9	56388534	2	Solenoid
10	56395452	3	Solenoid
*	56391357	1	Time Delay TSB 632

* = Not Shown



SKIRTS AFTER SERIAL #0608353



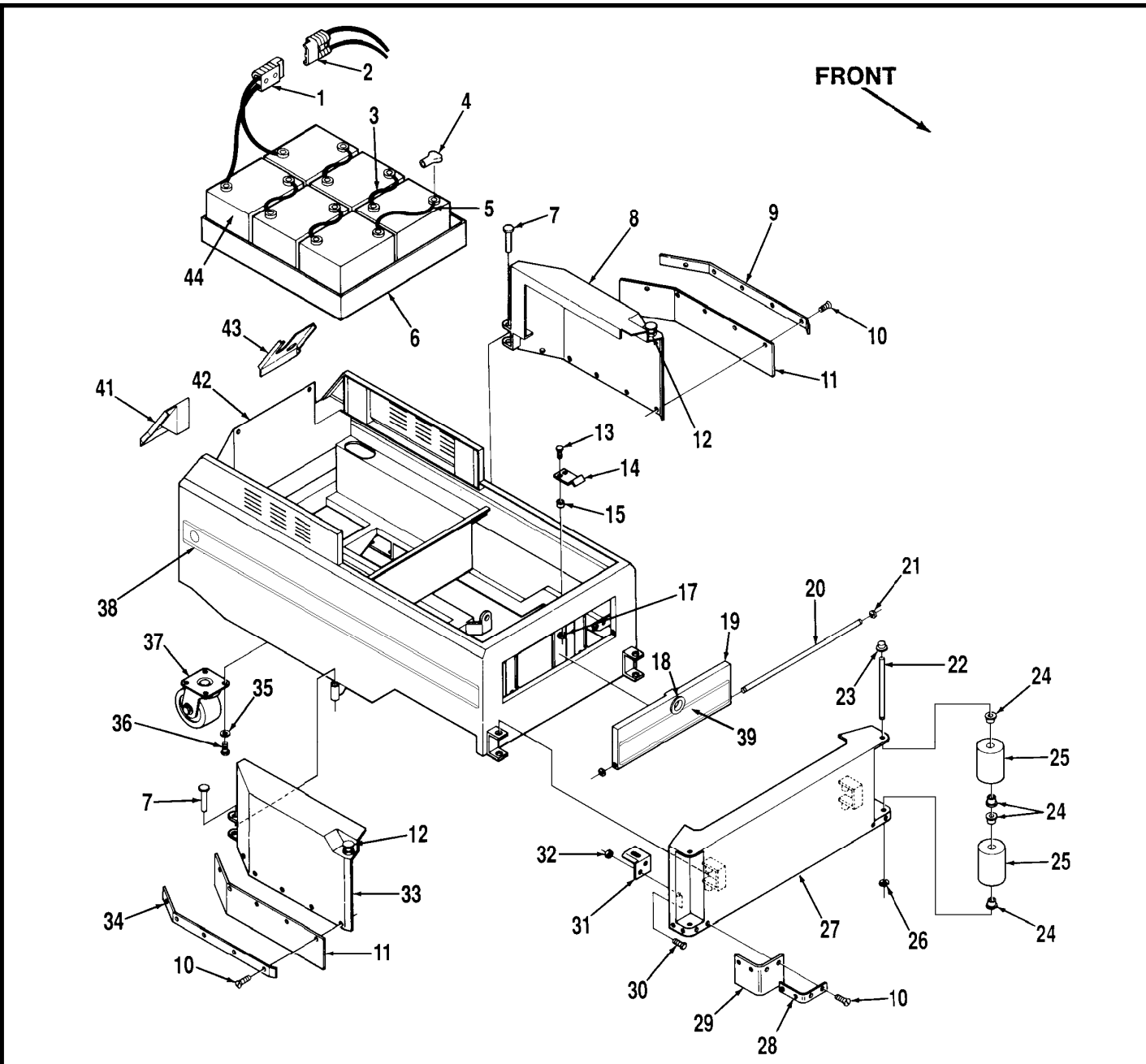
LX CHASSIS

Item	Ref. No.	Qty	Description	Item	Ref. No.	Qty	Description
1	56392562	1	Connector with Wires	33	56002127	8	3/8-16 x 3/4 Bolt
	56100622	1	Connector only	34	56002063	8	3/8 Flat Washer
2	56391161	1	Connector with Wires	35	56440450	2	Caster NOTE #3
	56100622	1	Connector only TSB 633		56503007		Wheel for 440450 Caster
*	56392241	1	Handle for Battery Connector	*	56391315	2	Caster NOTE #3
3	56389232	4	Battery Cable	*	56391320		Swivel Shock for 391315 Caster
4	56372673	12	Battery Post Boot	*	56365742		Wheel for 391315 Caster
5	56456460	1	Battery Cable	36	56015552	1	Decal, Right Stripe 325LX
6	56389110	1	Battery Tray	*	56015553	1	Decal, Left Stripe 325LX
7	56360147	2	Hinge Pin		56015548	1	Decal, Right Stripe 385LX
*	56366633	4	Bushing	*	56015549	1	Decal, Left Stripe 385LX
8	56392018	1	Left Splash Guard 325	37	56015559	1	Decal, Front
	56392013	1	Left Splash Guard Assy 325 (#8-12)	38			Omitted Intentionally
	56392370	1	Left Splash Guard 385	39	56392759	1	Right Panel
	56392511	1	Left Splash Guard Assy 385 (#8-12)	40	56392697	1	Chassis 325, 385 (before SN 0608354)
9	56392025	1	Left Strap 325		56392791	1	Chassis 325, 385 (after SN 0608353)
	56392379	1	Left Strap 385	41	56392760	1	Left Panel
10	56404222	20	Screw	*	56391205	1	Main Wiring Harness NOTE #1
11	56392416	2	Blade	*	56392119	1	Main Wiring Harness NOTE #2
12	56578214	2	Lock	42		6	Battery **
13	56002504	2	#10-24 x 3/4 Screw	*	56392077	1	Tower Bumper Roller Kit**
14	56391776	1	Clip				
15	56369004	2	Bushing				
16			intentionally omitted				
17	56002768	2	#10-24 Nyloc Nut				
18	56344621	1	Grommet				
19	56392362	1	Front Panel		56392111	1	Skirts After SN 0608353 Right Skirt Assembly (325LX)
20	56391781	1	Rod		56392123	1	Right Skirt Assembly (385LX)
21	56321125	2	Retaining Ring		56392112	1	Left Skirt Assembly (325LX)
22	56001856	2	1/4-20 x 2-1/4 Screw		56392124	1	Left Skirt Assembly (385LX)
23	56386823	2	Bushing	43	56393448	1	Front Skirt Support
24	56324499	4	Wheel	44	56393372	2	Rod
25	56759060	6	Nut	45	56376544	4	Cap
26	56392016	1	Front Bumper 325	46	56002508	12	#10-24 x 1/2 HP-5 Screw
	56392012	1	Front Bumper Assy 325 (#10,22-30)	47	56392099	1	Left Strap (325LX)
	56392363	1	Front Bumper 385		56393446	1	Left Strap (385LX)
	56392509	1	Front Bumper Assy 385 (#10,22-30)	48	56392100	1	Left Blade (325LX)
					56392097	1	Left Blade (385LX)
27	56392381	2	Strap	49	56392102	2	Roller
28	56392415	2	Blade	50	56393442	1	Left Guard (325LX)
29	56002155	4	1/4-20 x 3/4 Screw		56393432	1	Left Guard (385LX)
30	56392375	1	Right Bracket	51	56393664	1	Right Guard (325LX)
*	56392376	1	Left Bracket		56393663	1	Right Guard (385LX)
31	56392025	1	Right Strap 325	52	56392099	1	Right Strap (325LX)
	56392378	1	Right Strap 385		56393447	1	Right Strap (385LX)
32	56392021	1	Right Splash Guard 325	53	56392100	1	Right Blade (325LX)
	56392014	1	Right Splash Guard Assy 325 (#31,32,10-12)		56392098	1	Right Blade (385LX)
	56392369	1	Right Splash Guard 385	54	56462316	1	Latch
	56392510	1	Right Splash Guard Assy 385 (#31,32,10-12)	55	56570514	4	#6-32 x 3/8 HP-5 Screw

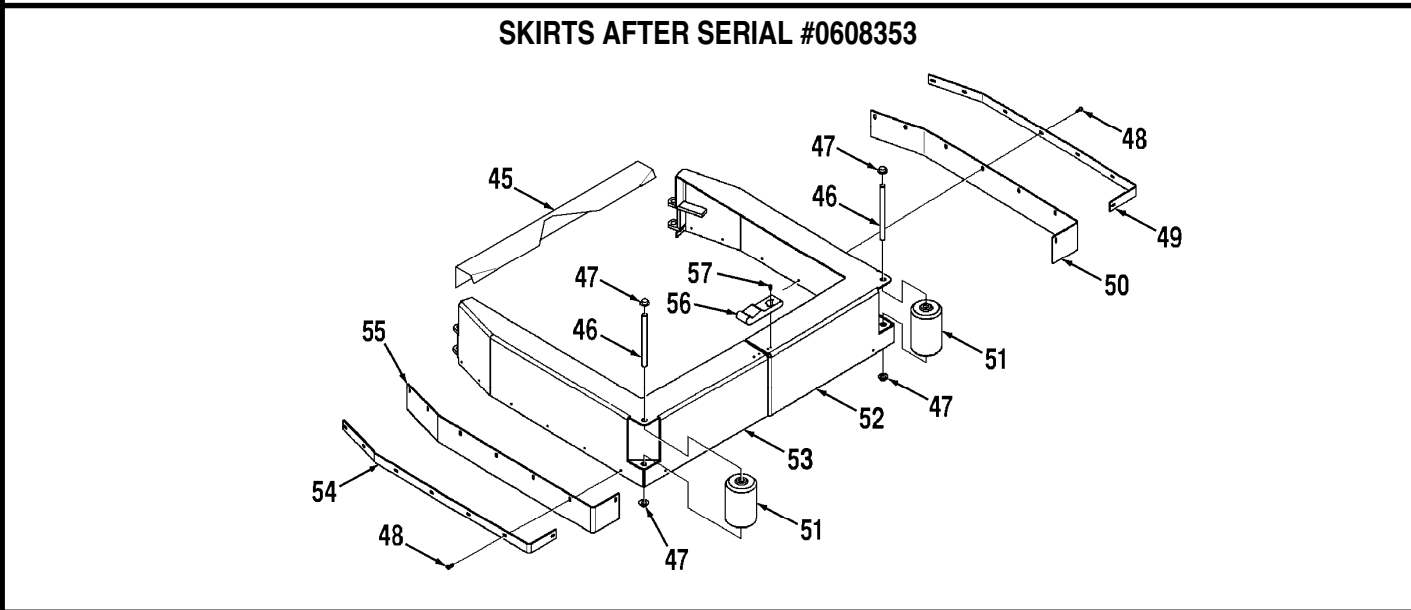
Note #1: This part is used on machines before serial #1018020.

Note #2: This part is used on machines after serial #1018019.

Note #3: All machines after serial #1018019 will come standard with a non shock caster (PN 56440450). The shock caster (PN 56391315) will be a dealer installed option.



SKIRTS AFTER SERIAL #0608353



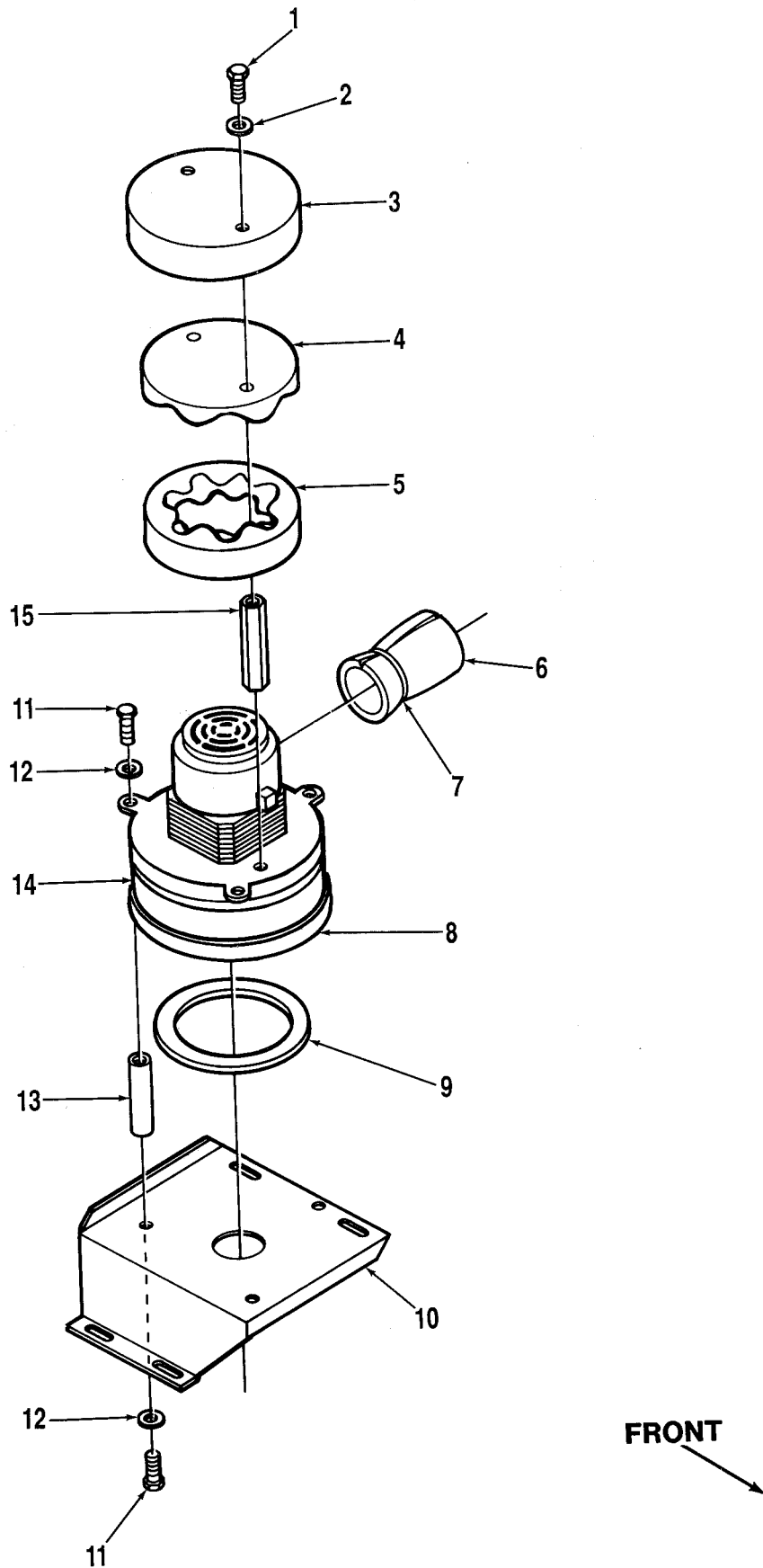
HD CHASSIS

Item	Ref. No.	Qty	Description	Item	Ref. No.	Qty	Description
1	56392562	1	Connector with Wires	35	56002063	8	3/8 Flat Washer
	56100622	1	Connector only	36	56002127	8	3/8-16 x 3/4 Bolt
2	56391161	1	Connector with Wires	37	56440450	2	Caster NOTE #3
	56100622	1	Connector only TSB 633		56503007		Wheel for 440450 Caster
*	56392241	1	Handle for Connector	*	56391315	2	Caster Assembly NOTE #3
3	56389232	4	Battery Cable	*	56391320		Swivel Shock for 391315 Caster
4	56372673	12	Battery Post Boot	*	56365742		Wheel for 391315 Caster
5	56456460	1	Battery Cable	38	56015554	1	Decal, Right Stripe 325HD
6	56389110	1	Battery Tray	*	56015556	1	Decal, Left Stripe 325HD
7	56360147	2	Hinge Pin		56015550	1	Decal, Right Stripe 385HD
*	56366633	4	Bushing	*	56015551	1	Decal, Left Stripe 385HD
8	56392783	1	Left Splash Guard 325	39	56015559	1	Decal, Front
	56392781	1	Left Splash Guard Assy 325	40			Omitted Intentionally
			(#8-12)	41	56392759	1	Right Panel
	56392622	1	Left Splash Guard 385	42	56392697	1	Chassis 325, 385
	56392633	1	Left Splash Guard Assy 385				(before SN 0608354)
			(#8-12)		56392791	1	Chassis 325, 385
9	56392379	1	Left Strap				(after SN 0608353)
10	56404222	20	Screw	43	56392760	1	Left Panel
11	56392377	2	Blade	*	56391205	1	Main Wiring Harness NOTE #1
12	56578214	2	Lock	*	56392119	1	Main Wiring Harness NOTE #2
13	56002504	2	#10-24 x 3/4 Screw	44		6	Battery **
14	56391776	1	Clip	*	56392077	1	Tower Bumper Roller Kit **
15	56369004	2	Bushing				
16			intentionally omitted	*			* = Not Shown
17	56002768	2	#10-24 N yloc Nut	**			** = Not Included
18	56344621	1	Grommet				
19	56392362	1	Front Panel				Skirts After SN 0608353
20	56391781	1	Rod		56392111	1	Right Skirt Assembly (325HD)
21	56321125	2	Retaining Ring		56392121	1	Right Skirt Assembly (385HD)
22	56391926	2	Rod		56392112	1	Left Skirt Assembly (325HD)
23	56376544	2	Cap		56392122	1	Left Skirt Assembly (385HD)
24	56111503	8	Flange Bearing	45	56393448	1	Front Skirt Support
25	56376540	4	Roller	46	56393372	2	Rod
26	56468834	2	Retaining Ring	47	56376544	4	Cap
27	56392778	1	Front Bumper 325	48	56002508	12	#10-24 x 1/2 HP-5 Screw
	56392780	1	Front Bumper Assy 325	49	56392099	1	Left Strap (325HD)
			(#22-32)		56393446	1	Left Strap (385HD)
	56392610	1	Front Bumper 385	50	56392100	1	Left Blade (325HD)
	56392631	1	Front Bumper Assy 385		56392097	1	Left Blade (385HD)
			(#22-32)	51	56392102	2	Roller
28	56392381	2	Strap	52	56393442	1	Left Guard (325HD)
29	56392415	2	Blade		56393661	1	Left Guard (385HD)
30	56002155	4	1/4-20 x 3/4 Screw	53	56393664	1	Right Guard (325HD)
31	56392375	1	Right Bracket		56393430	1	Right Guard (385HD)
*	56392376	1	Left Bracket	54	56392099	1	Right Strap (325HD)
32	56759060	4	Nut		56393447	1	Right Strap (385HD)
33	56392784	1	Right Splash Guard 325	55	56392100	1	Right Blade (325HD)
	56392782	1	Right Splash Guard Assy 325		56392098	1	Right Blade (385HD)
			(#10-12,33,34)	56	56462316	1	Latch
	56392621	1	Right Splash Guard 385	57	56570514	4	#6-32 x 3/8 HP-5 Screw
	56392632	1	Right Splash Guard Assy 385				
			(#10-12,33,34)				
34	56392378	1	Right Strap				

Note #1: This part is used on machines before serial #1018020.

Note #2: This part is used on machines after serial #1018019.

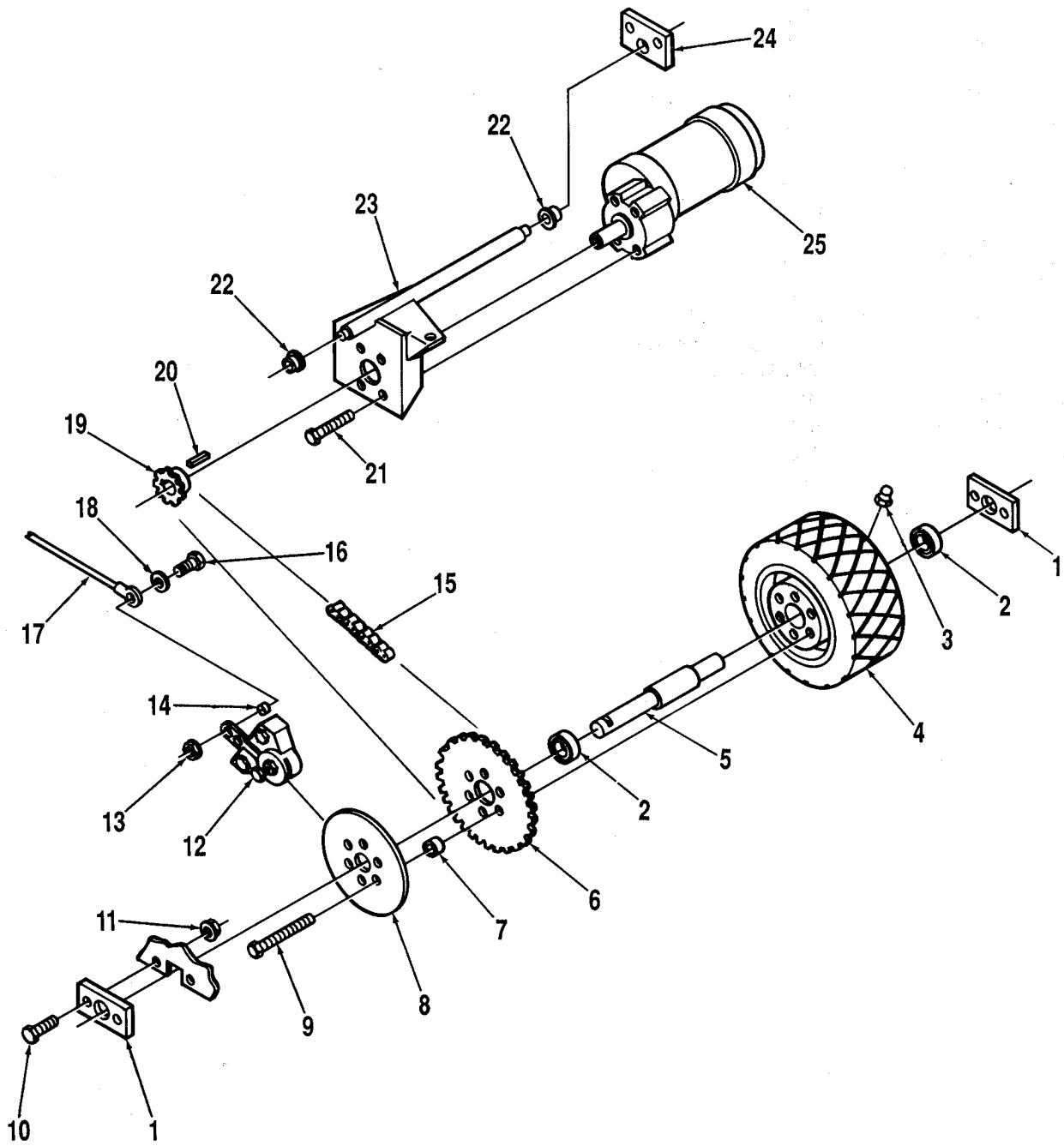
Note #3: All machines after serial #1018019 will come standard with a non shock caster (PN 56440450). The shock caster (PN 56391315) will be a dealer installed option.



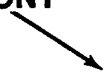
VACUUM MOTOR

Item	Ref. No.	Qty	Description
1	56002589	2	#6-32 x 1/2 Screw
2	56002006	2	#6 Flat Washer
3	56391794	1	Cover
4	56391808	1	Foam
5	56391809	1	Foam
6	56391807	1	Foam
7	56478246	1	Cable Tie
8	56384898	1	Filter
9	56385437	1	Gasket
10	56392401	1	Motor Mount
11	56001854	6	1/4-20 x 1/2 Screw
12	56002098	6	1/4 Flat Washer
13	56377474	3	Stand-Off
14	56391208	1	Vacuum Motor
*	56377001	1	Carbon Brushes for Vacuum Motor
15	56391795	2	Stand-Off

* = Not Shown



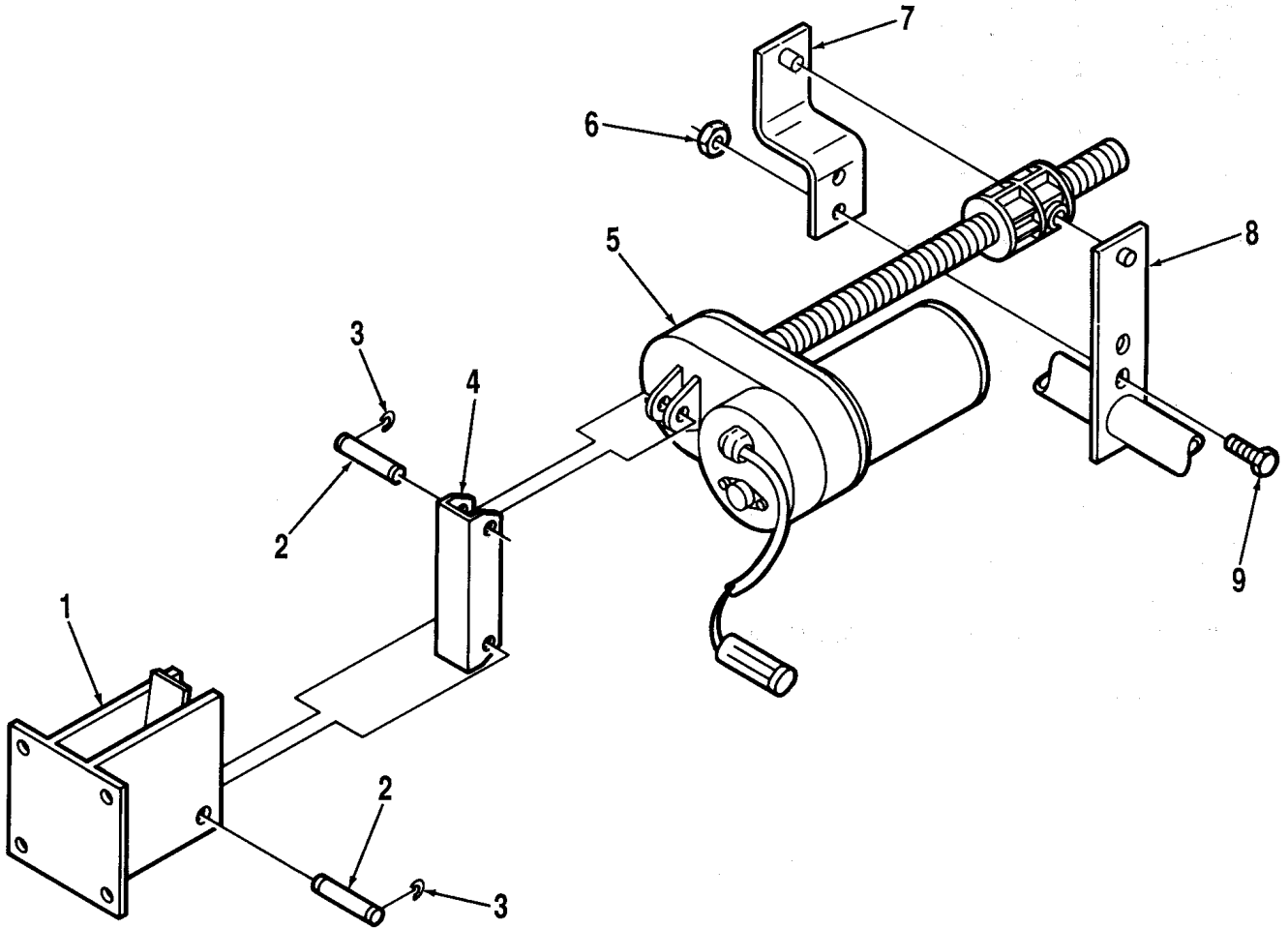
FRONT



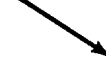
DRIVE SYSTEM

Item	Ref. No.	Qty	Description
1	56391536	2	Pillow Block
2	56378380	2	Bearing
3	56344362	1	Grease Fitting
4	56376628	1	Wheel
	56391538	1	Wheel and Axle Assembly (#2-9)
5	56391534	1	Axle
6	56388700	1	Sprocket
7	56391539	6	Bushing
8	56391537	1	Brake Disc
9	56002426	6	5/16-18 x 2-1/2 Bolt
10	56002127	4	3/8-16 x 3/4 Bolt
11	56002769	4	3/8-16 Nyloc Nut
12	56391301	1	Brake Caliper
13	56002768	1	#10-24 NylocNut
14	56375334	1	Bushing
15	56391310	1	Chain
16	56002425	1	#10-24 x 7/8 Screw
17	56391306	1	Cable
18	56001954	1	#10 Flat Washer
19	56471148	1	Sprocket
20	56367958	1	3/16 x 1-1/8 Key
21	56002663	4	3/8-16 x 1 Bolt
22	56111503	2	Bearing
23	56391530	1	Motor Mount
24	56391535	1	Pillow Block
25	56388585	1	Drive Motor
*	56388586	1	Carbon Brushes for Drive Motor

* = Not Shown



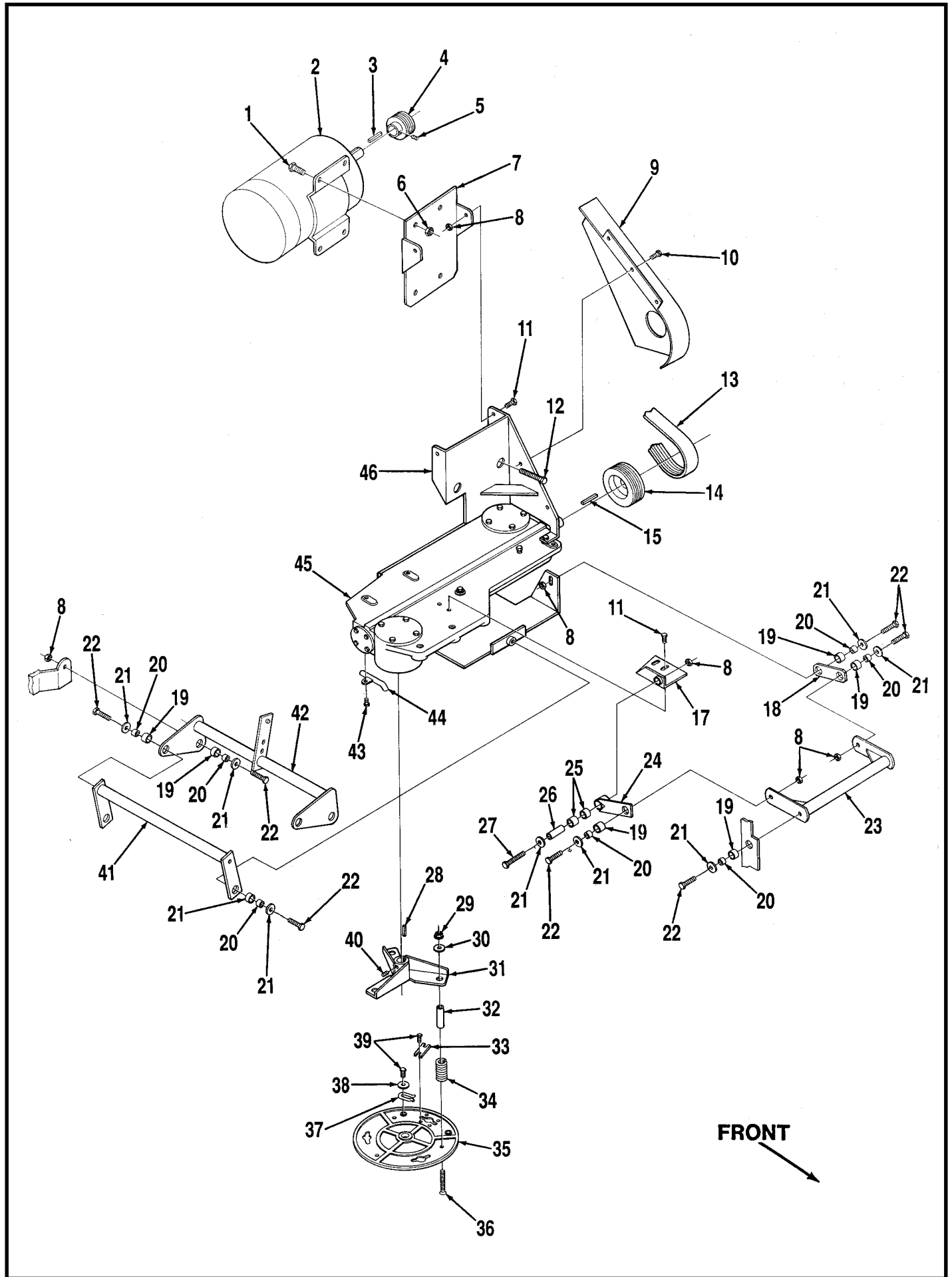
FRONT



BRUSH DRIVE LIFT

Item	Ref. No.	Qty	Description
1	56392394	1	Mount
2	56104760	2	Pin
3	56321427	4	Retaining Ring
4	56391626	1	Swing Arm
5	56391627	1	Actuator
*	56470431	1	Carbon Brush Kit (for 56391627)
	56388520	1	Plastic Nut for Actuator
	56392335	1	Actuator Assembly (#2-5)
6	56002701	2	5/16-18 Nyloc Nut
7	56100019	1	Half Yoke
8	56100023	1	Torsion Bar
9	56002221	2	5/16-18 x 1 Bolt

* = Not Shown



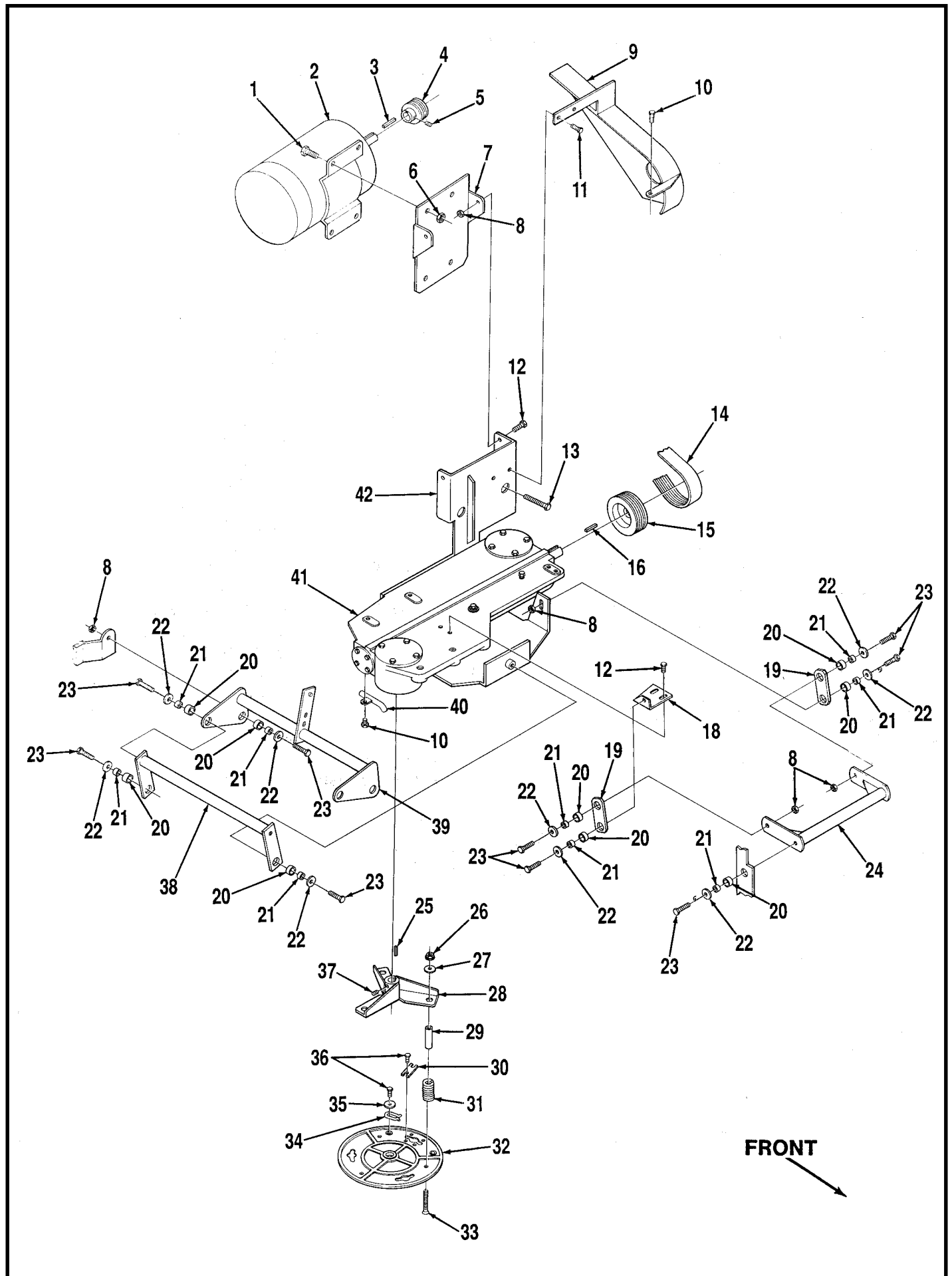
BRUSH DRIVE 325

Item	Ref. No.	Qty	Description	Item	Ref. No.	Qty	Description
1	56002667	4	5/16-18 x 3/4 Bolt	30	56752278	6	Washer
2	56392489	1	Brush Motor	31	56392396	2	Adapter
*	56448729	1	Carbon Brushes for Brush Motor	32	56392530	6	Spacer
3	56367958	1	Key	33	56366455	2	Plate
4	56392399	1	Sheave	34	56392513	6	Spring
5	56002021	2	5/16-18 x 3/8 Set Screw	35	56391611	2	Brush Holder
6	56002701	4	5/16-18 Nyloc Nut	**	56505784	2	Prolene Brush
7	56392424	1	Motor Bracket	**	56505780	2	Pad Holder
8	56002769	8	3/8-16 Nyloc Nut	**	56505782	2	Dyna-Grit 80 Brush
9	56392043	1	Belt Guard	**	56505781	2	Magna-Grit 46 Brush
10	56001861	3	1/4-20 x 3/8 Screw	**	56505783	2	Aglite Grit 500 Brush
11	56002127	4	3/8-16 x 3/4 Bolt	**	56505785	2	Prolite Brush
12	56900772	2	Bolt	**	56505786	2	Union Mix Brush
13	56392497	1	Belt TSB 620	36	56900139	6	Bolt
14	56392400	1	Sheave	37	56366463	2	Retaining Spring
15	56378704	1	Key	38	56151114	2	Washer
16			Intentionally Omitted	39	56002834	6	#10-24 x 3/8 Screw
17	56392029	1	Bracket	40	56001958	2	3/8-16 x 1/2 Set Screw
18	56392450	1	Arm	41	56392441	1	Torsion Bar
19	56478781	11	Bearing	42	56100023	1	Torsion Bar
20	56392449	11	Bushing	43	56002208	2	3/8-16 x 1/2 Bolt
21	56002063	12	3/8 Flat Washer	44	56391604	2	Solution Pipe
22	56001858	11	3/8-16 x 1-1/4 Bolt	45	56392048	1	Gear Box TSB 616
23	56392431	1	Torsion Bar		56392047	1	Gear Case Assembly (#8,11,14-22,24-46)
24	56392045	1	Arm				
25	56367168	2	Bearing	46	56392041	1	Motor Mount NOTE #1
26	56392046	1	Bushing		56392109	1	Motor Mount NOTE #2
27	56002095	1	3/8-16 x 1-1/2 Bolt				
28	56378704	2	1/4 x 1-1/4 Key				
29	56759062	6	Nut				

* = Not Shown
** = Not Included

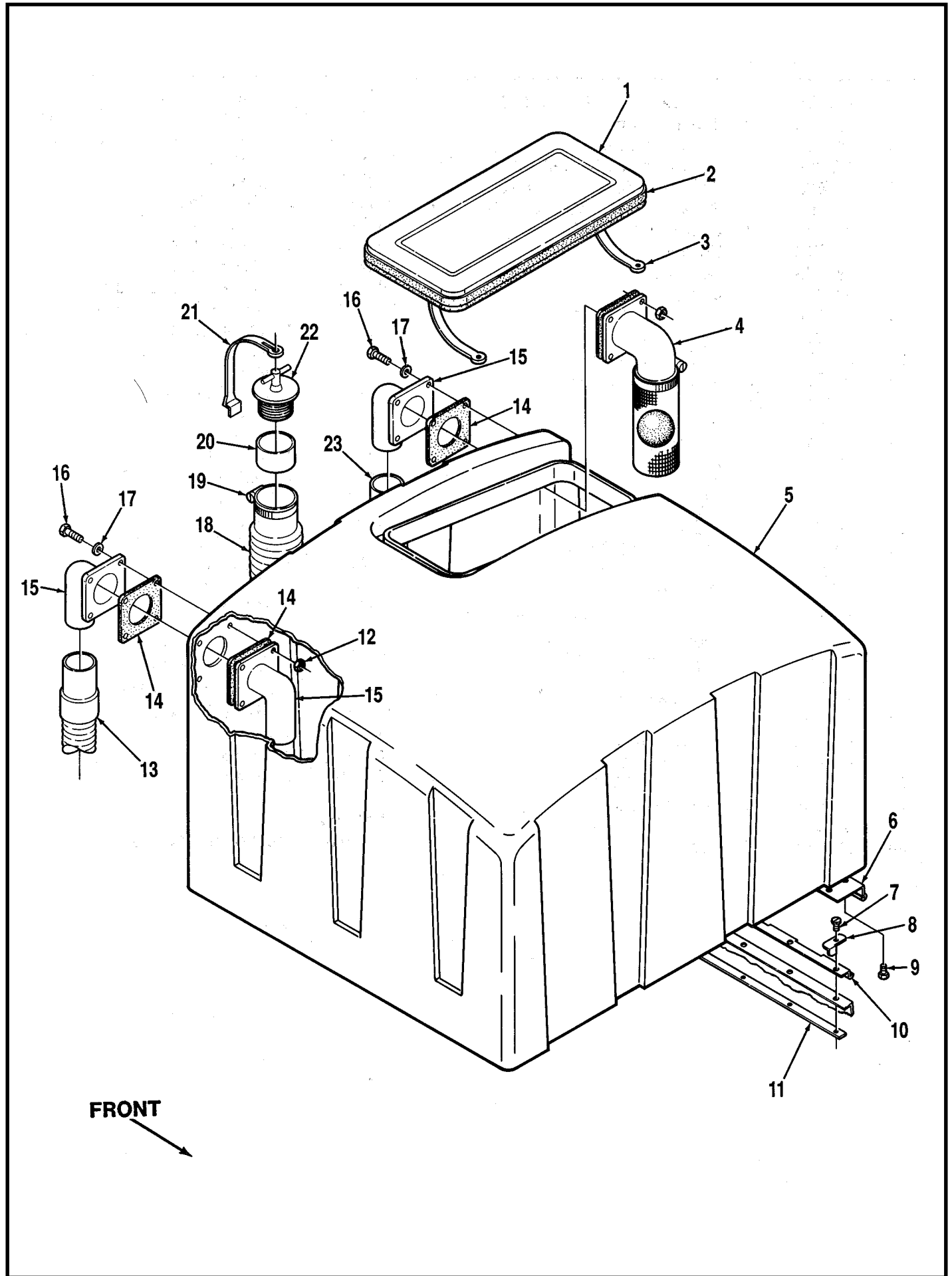
Note #1: This part is used on machines before serial number 0584169.

Note #2: This part is used on machines after serial number 0584168.



BRUSH DRIVE 385

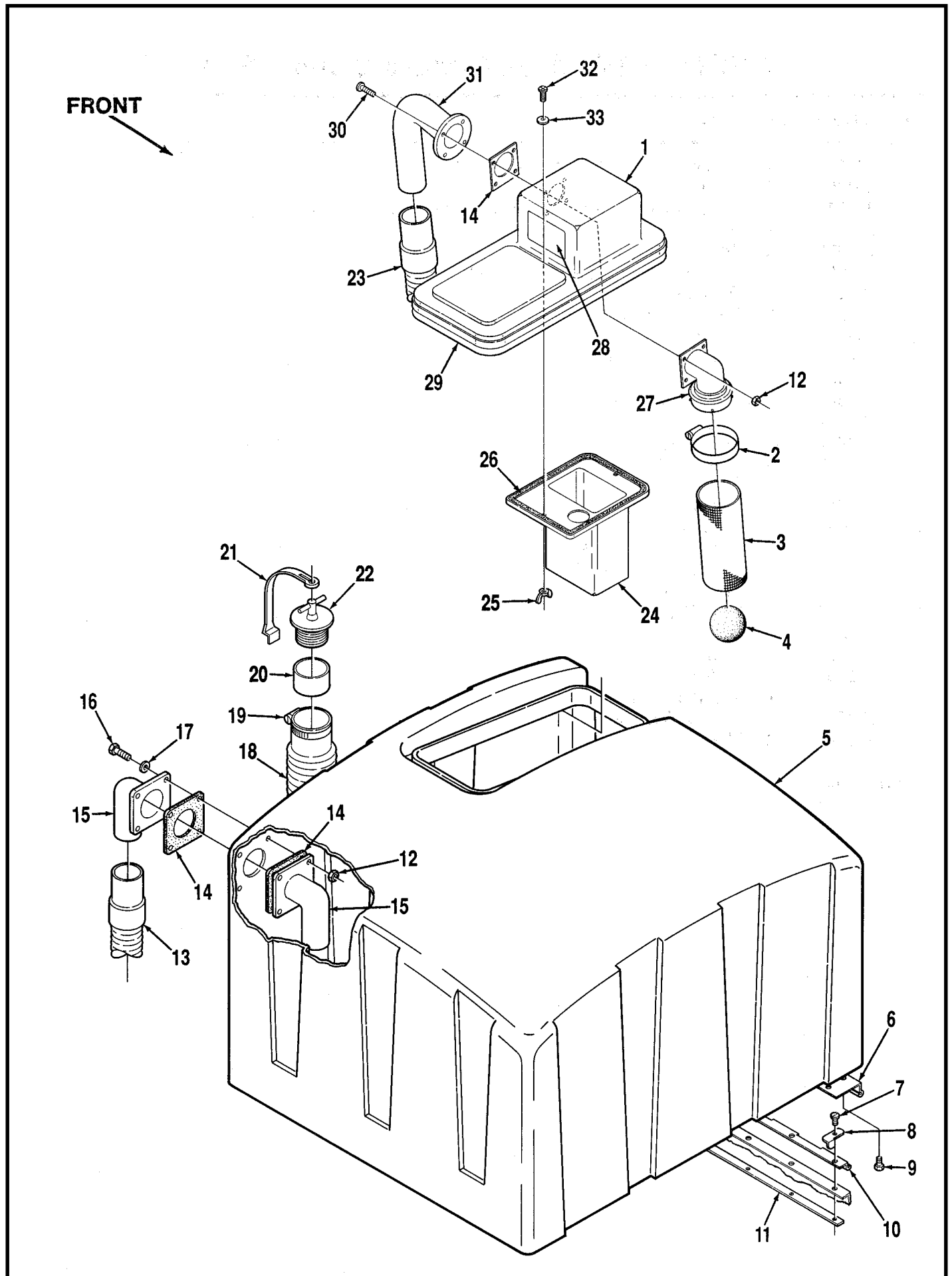
Item	Ref. No.	Qty	Description
1	56002667	4	5/16-18 x 3/4 Bolt
2	56392489	1	Brush Motor
*	56448729	1	Carbon Brushes For Brush Motor
3	56367958	1	Key
4	56392552	1	Sheave
5	56002021	1	5/16-18 x 3/8 Set Screw
6	56002701	4	5/16-18 Nyloc Nut
7	56392424	1	Motor Mount
8	56002769	8	3/8-16 Nyloc Nut
9	56392488	1	Belt Guard
10	56002208	3	3/8-16 x 1/2 Bolt
11	56001861	2	1/4-20 x 3/8 Screw
12	56002127	4	3/8-16 x 3/4 Bolt
13	56900772	2	Bolt
14	56392497	1	Belt TSB 620
15	56392400	1	Sheave
16	56378704	1	Key
17			intentionally omitted
18	56392444	1	Bracket
19	56392450	2	Arm
20	56478781	12	Bearing
21	56392449	12	Bushing
22	56002063	12	3/8 Flat Washer
23	56001858	12	3/8-16 x 1-1/4 Bolt
24	56392431	1	Torsion Bar
25	56378704	2	1/4 x 1-1/4 Key
26	56759062	6	Nut
27	56752278	6	Washer
28	56392396	2	Adapter
29	56392530	6	Spacer
30	56366455	2	Plate
31	56392513	6	Spring
32	56391611	2	Brush Holder
**	56505794	2	Prolene Brush
**	56505790	2	Pad Holder
**	56505792	2	Dyna-Grit 80 Brush
**	56505791	2	Magna-Grit 46 Brush
**	56505793	2	Ag-lite Grit 500 Brush
**	56505795	2	Prolite Brush
**	56505796	2	Union Mix Brush
33	56900139	6	Bolt
34	56366463	2	Retaining Ring
35	56151114	2	Washer
36	56002834	6	#10-24 x 3/8 Screw
37	56001958	2	3/8-16 x 1/2 Set Screw
38	56392441	1	Torsion Bar
39	56100023	1	Torsion Bar
40	56391604	2	Solution Pipe
41	56392395	1	Gear Box
	56392565	1	Gear Case Assy (#8,12,15-23,25-42)
42	56392402	1	Motor Mount
* = Not Shown			
** = Not Included			



RECOVERY TANK (before SN0398333)

Item	Ref. No.	Qty	Description
	56392699	1	Recovery Tank Assembly (#1-6,12,14-17)
1	56261395	1	Cover
	56261393	1	Cover Assembly (#1,3 / See pages 21-22 for Cover Assembly Update)
2	56261390	1	Gasket
3	56263379	2	Strap
4	56391642	1	Float Assembly (See pages 21-22 for Float Assembly Update)
	56391690	1	Float Ball
	56391691	1	Float Cage
5	56391230	1	Recovery Tank
6	56392677	1	Hinge
7	56002829	6	#10-24 x 5/8 Screw
8	56381053	2	Clip
9	56001861	11	1/4-20 x 3/8 Screw
10	56391181	1	Hinge
11	56392676	1	Nut Plate
12	56002836	8	#10-24 Stainless Steel Nyloc Nut
13	56392662	1	Squeegee Hose
14	56391644	2	Gasket
15	56392666	3	Hose Adapter
16	56002837	8	#10-24 x 1 Stainless Steel Screw
17	56002916	8	#10 Stainless Steel Flat Washer
18	56392590	1	Drain Hose
19	56329145	3	Hose Clamp
20	56459250	1	Cuff
21	56261378	1	Strap
22	56459253	1	T-Plug
23	56392661	1	Vacuum Hose
*	56392756	2	Support Bracket
*	56263842	2	Plate

* = Not Shown

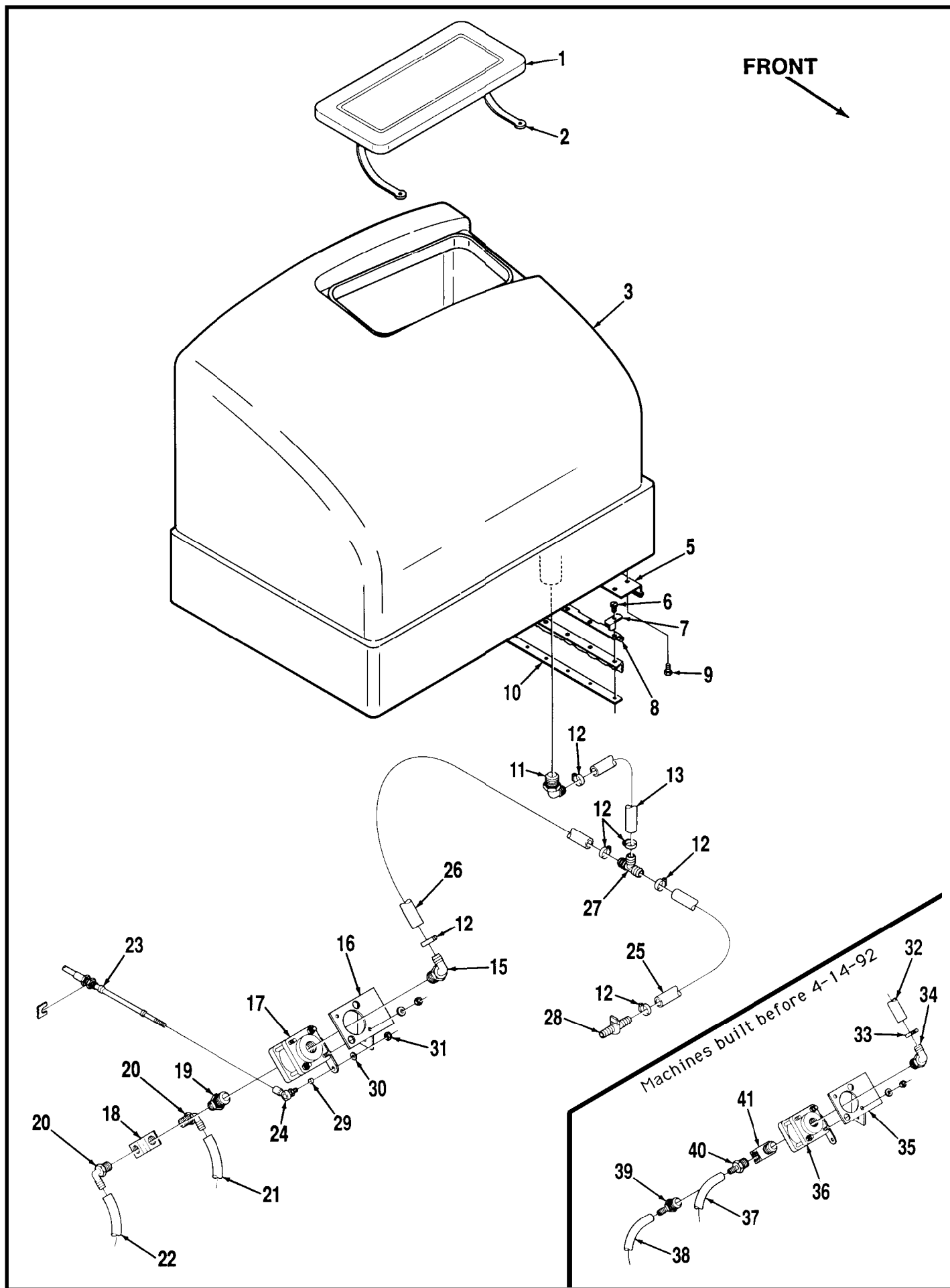


RECOVERY TANK (after SN0398332)

Item	Ref. No.	Qty	Description
	56392699	1	Recovery Tank Assembly (#5, 6, 12, 14-17)
1	56392589	1	Cover
	56392584	1	Cover Assembly (#1-4, 12, 14, 24-33)
2	56440213	1	Hose Clamp
3	56391691	1	Float Cage
4	56391690	1	Float Ball
5	56391230	1	Recovery Tank
6	56392677	1	Hinge
7	56002829	6	#10-24 x 5/8 Screw
8	56381053	2	Clip
9	56001861	11	1/4-20 x 3/8 Screw
10	56391181	1	Hinge
11	56392676	1	Nut Plate
12	56002836	8	#10-24 Nyloc Nut
13	56392662	1	Squeegee Hose
14	56391644	3	Gasket
15	56392666	2	Hose Adapter
16	56002837	8	#10-24 x 1 Stainless Steel Screw
17	56002916	8	#10 Stainless Steel Flat Washer
18	56392590	1	Drain Hose
19	56329145	3	Hose Clamp
20	56459250	1	Cuff
21	56261378	1	Strap
22	56459253	1	T-Plug
23	56392661	1	Vacuum Hose
24	56392591	1	Float Box
25	56392602	2	#8-32 Stainless Steel Wing Nut
26	56325324	2'	Gasket (62 cm)
27	56324309	1	Elbow
28	56015411	1	Decal, Important
29	56392079	1	Gasket
30	56002898	4	#10-24 x 1 Stainless Steel Pan Head Screw
31	56392587	1	Tube
32	56002895	2	#8-32 x 3/4 Stainless Steel Pan Head Screw
33	56257508	2	Sealing Washer
*	56392756	2	Support Bracket
*	56263842	2	Plate

* = Not Shown

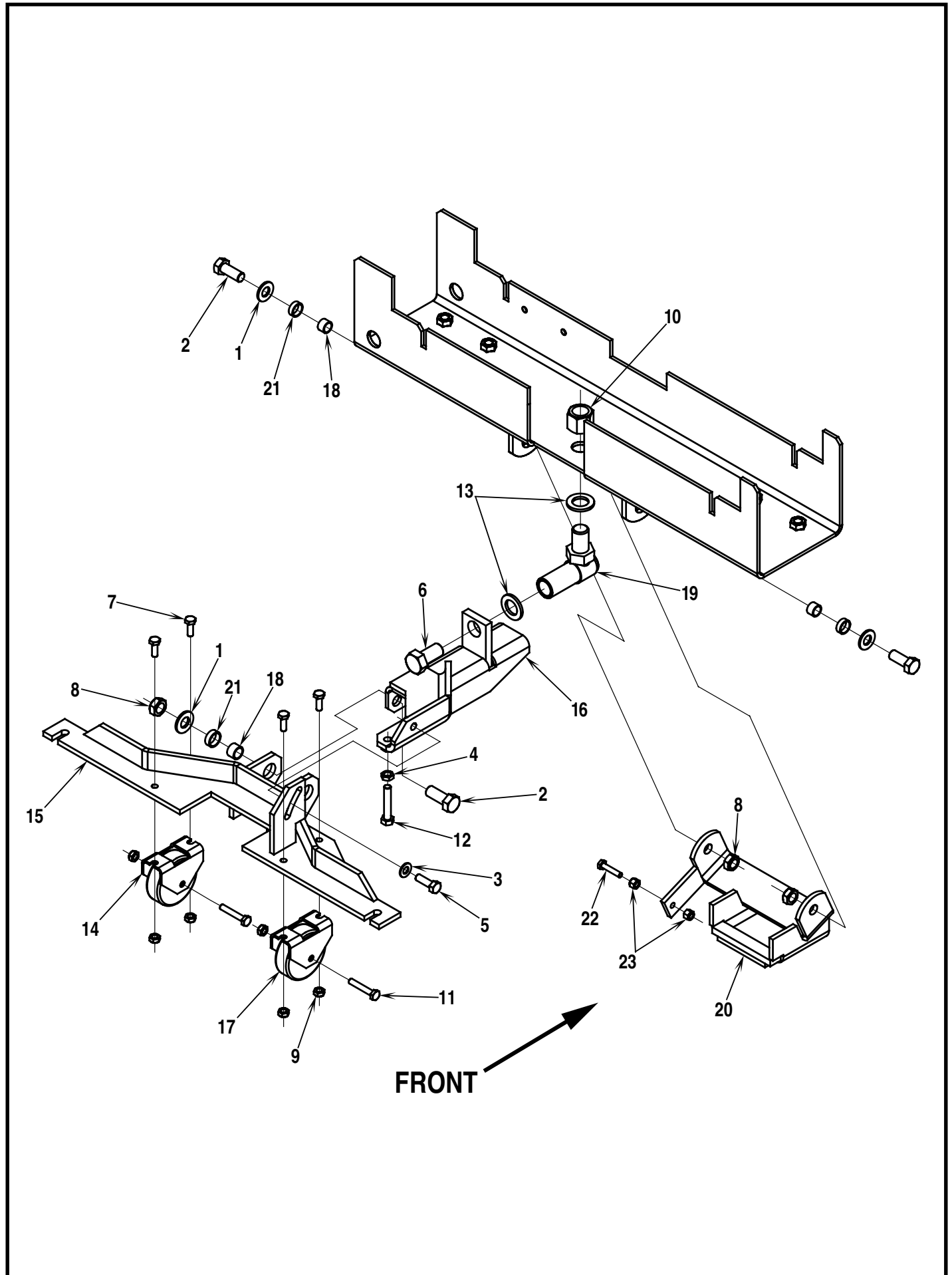
Note: Machines before SN0398333 can be updated as shown by ordering Float Update Kit, PN 56392592.



SOLUTION TANK

Item	Ref. No.	Qty	Description
	56392667	1	Solution Tank Assembly (#1-3, 5, 9, 11)
1	56261381	1	Cover
	56395916	1	Cover Assembly (#1-2)
2	56263379	2	Strap
3	56391232	1	Solution Tank
4			Intentionally Omitted
5	56391234	1	Hinge
6	56002829	5	#10-24 x 5/8 Screw
7	56391240	2	Clip
8	56391237	1	Hinge
9	56001861	8	1/4-20 x 3/8 Screw
10	56392675	1	Nut Plate
11	56324035	1	Barb
12	56219932	6	Hose Clamp
13	56262561	1	Solution Hose
14			Intentionally Omitted
15	56391678	1	Barb
16	56392412	1	Mount
17	56391681	1	Solution Valve
	56392413	1	Solution Valve Assembly (#15-20)
18	56900291	1	Tee
19	56900639	1	Reducer
20	56900035	2	Barb
21	56376444	1	Solution Hose (19 inches)
22	56391802	1	Solution Hose (29 inches)
23	56376320	1	Solution Cable
24	56488290	1	Ball Joint
25	56392663	1	Solution Hose
26	56386182	1	Solution Hose
27	56262549	1	Tee
28	56391243	1	Valve
29	56375334	1	Bushing
30	56001954	1	#10 Flat Washer
31	56002873	1	#10-24 Nyloc Nut
			Machines built before 4-14-92
32	56392664	1	Solution Hose
33	56219932	2	hose Clamp
34	56391678	1	Barb
35	56392412	1	Mount
36	56391681	1	Solution Valve
	56392413	1	Solution Valve Assy (#34-36,39-41)
37	56249682	1	Solution Hose (12 inches)
38	56391773	1	Solution Hose (24 inches)
39	56391679	1	Barb
40	56391680	1	Barb
41	56749319	1	Tee

* = Not Shown



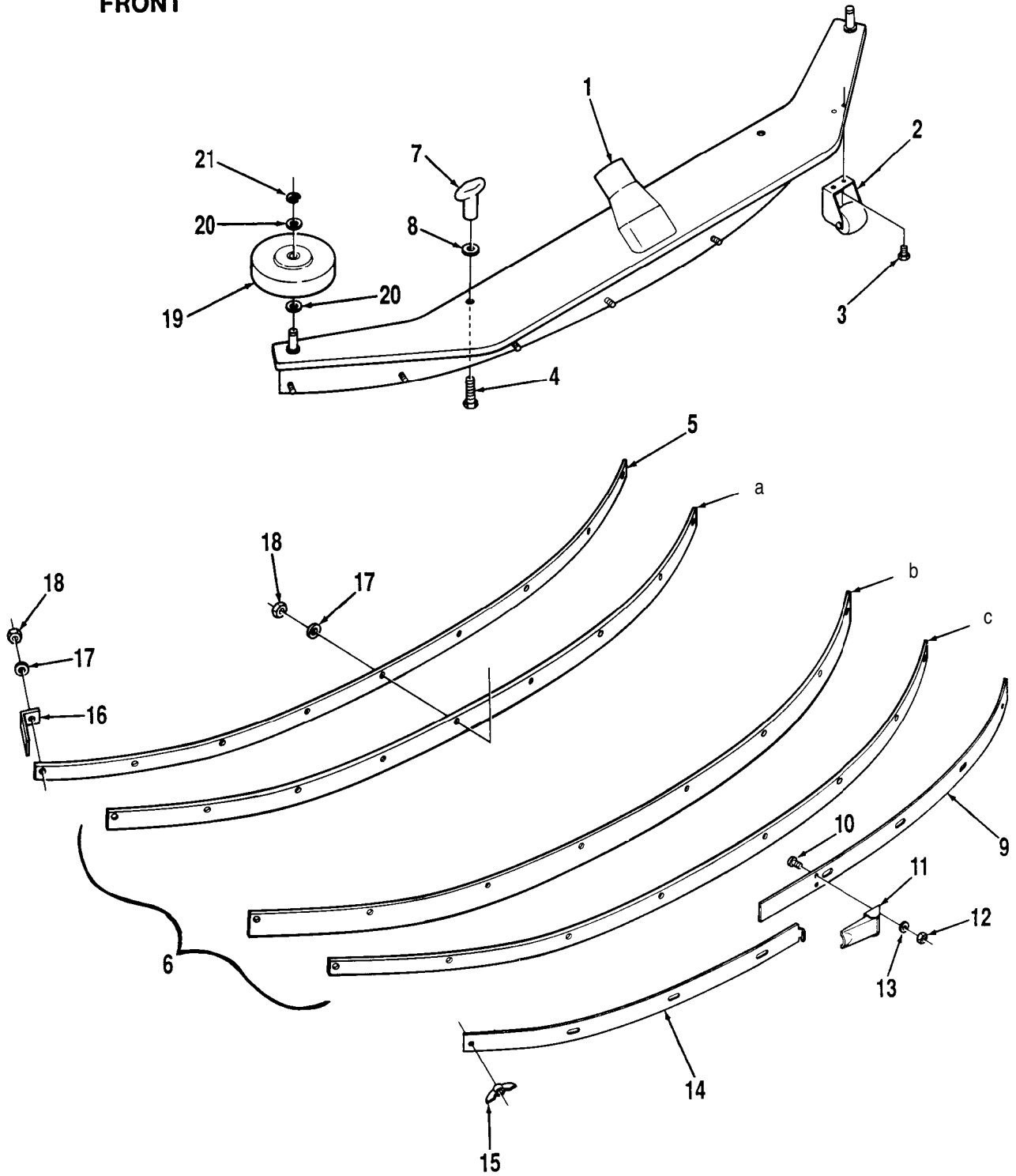
SQUEEGEE MOUNT

Item	Ref. No.	Qty	Description
	56392218	1	Squeegee Mount Assembly (#1-19 & 21) NOTE
1	56001879	4	Wsh, Flt SAE 1/2
2	56001931	4	Scr, Hex Hd 1/2-13 x 1.25
3	56001939	1	Wsh, Flt SAE 5/16
4	56002025	1	Nut, Hex Jam 5/16-18
5	56002221	1	Scr, Hex Hd 5/16-18 x 1.00
6	56002739	1	Scr, Hex Hd 3/4-16 x 1.25
7	56002807	4	Scr, Hex Hd SS 1/4-20 x .75
8	56002843	4	Nut, Hex Nyl Loc-Thin 1/2-13
9	56002850	6	Nut, Hex Nyl Loc-Thin SS 1/4-20
10	56002863	1	Nut, Hex Nyl Loc 3/4-16
11	56002901	2	Scr, Hex Hd SS 1/4-20 x 1.50
12	56003005	1	Scr, Hex Hd 5/16-18 x 1.75
13	56009022	2	Wsh, Flt .75 x 1.25 x .12
14	56392217	2	Wheel Bracket
15	56262679	1	Squeegee Mount TSB 655, TSB 668
16	56262677	1	Squeegee Tongue Weld't TSB 668
17	56324515	2	Wheel TSB 655
18	56360627	4	Bushing
19	56391864	1	Ball Joint
20	56391860	1	Lifter Weld't
21	56478781	4	Bearing, Sleeve
22	56001878	1	Scr, Hex Hd 1/4-20 x 1.25
23	56002708	2	Nut, Hex Nyl Loc 1/4-20
*	56391305	1	Cable, Squeegee Lift TSB 581
*	56391674	1	Cable Bracket

* = Not Shown

NOTE: The original Squeegee Mount Assembly PN 56392665 is obsolete and no longer available. Squeegee Mount Assembly PN 56392218 will directly replace the original assembly. The individual parts are not direct replacements, the entire assembly needs to be replaced.

FRONT

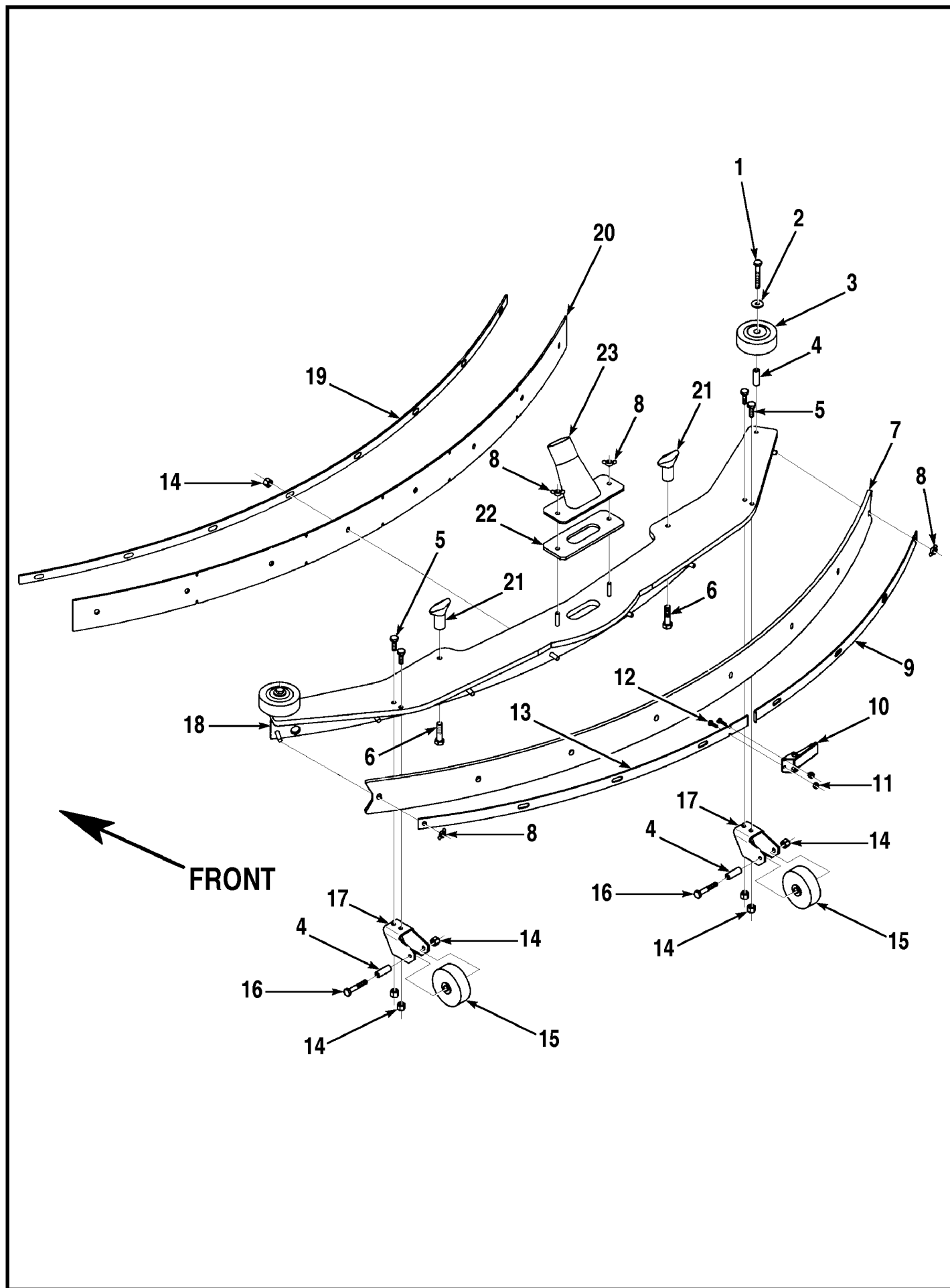


SQUEEGEE (before SN0606047)

Item	Ref. No.	Qty	Description
	56392751	1	Squeegee Assembly (#1-23)
1	56392749	1	Squeegee Tool
2	56391218	2	Roller NOTE
3	56003007	4	#8-32 x 1/2 Screw
4	56001834	2	5/16-18 x 1-1/4 Bolt
5	56392744	1	Strap
6	56392250	1	Std. Gum Rubber Blade Kit
a	56392741	1	Front Blade
b	56392739	1	Main Wiping Blade, Gum Rubber
c	56392740	1	Back Up Blade
*	56392251	1	Opt. Oil Resistant Blade Kit
a	56392741	1	Front Blade
b	56392252	1	Main Wiping Blade, Neoprene
c	56392740	1	Back Up Blade
7	56370711	2	Thumb Nut
8	56002938	2	5/16 Stainless Steel Flat Washer
9	56392746	1	Strap
10	56002589	2	#6-32 x 1/2 Screw
11	56471194	1	Latch
12	56002907	2	#6-32 Stainless Steel Nyloc Nut
13	56002006	2	#6 Flat Washer
14	56392745	1	Strap
15	56201677	2	Wing Nut
16	56392750	2	Angle
17	56002859	9	1/4 Stainless Steel Flat Washer
18	56002491	9	1/4-20 Stainless Steel Nyloc Nut
19	56324499	2	Wheel
20	56371009	4	Washer
21	56157060	2	Retaining Ring

* = Not Shown

NOTE: If replacing original Squeegee Mount Assembly PN 56392665 with the new Mount Assembly PN 56392218, remove the squeegee rollers from the squeegee. The new Squeegee Mount Assembly PN 56392218 has built in rollers.



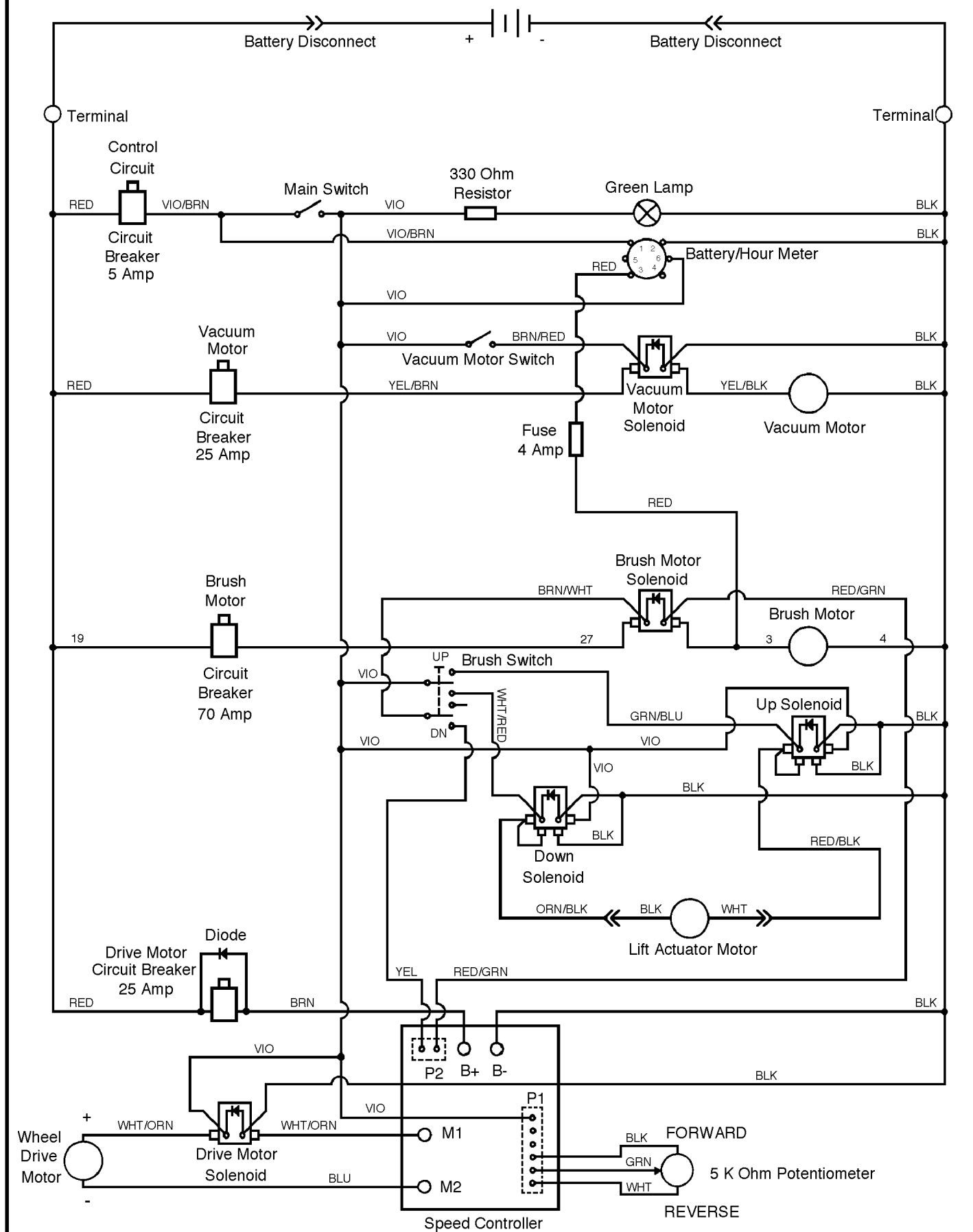
SQUEEGEE (after SN0606046)

Item	Ref. No.	Qty	Description
	56409423	1	Squeegee Assembly (#1-23)
1	56002993	2	1/4-20 x 1-1/2 Loc Screw
2	56002859	2	1/4 Flat Washer
3	56324499	2	Wheel
4	56471220	4	Bushing
5	56002807	4	1/4-20 x 3/4 SS Screw
6	56001834	1	5/16-18 x 1-1/4 Bolt
7	56409413	1	Rear Blade (Gum Rubber)
	56409431	1	Rear Blade (Oil Resistant)
8	56002963	4	1/4-20 SS Wing Nut
9	56409416	1	Rear Strap (Right)
10	56471194	1	Latch
11	56002964	2	#6-32 SS Thin Nyl Loc Nut
12	56002909	2	#6-32 x 3/8 SS Screw
13	56409415	1	Rear Strap (Left)
14	56002850	14	1/4-20 SS Thin Nyl Loc Nut
15	56324350	2	Wheel NOTE
16	56002901	2	1/4-20 x 1-1/2 SS Screw
17	56409421	2	Wheel Bracket NOTE
18	56409422	1	Squeegee Tool
19	56409417	1	Front Strap
20	56409414	1	Front Blade (Gum Rubber & Oil Resistant)
21	56370711	2	Thumb Nut
22	56409426	1	Gasket
23	56409425	1	Tube (tube should face the rear of the machine)
	56409429	1	Gum Rubber Blade Kit
	56409430	1	Oil Resistant Blade Kit

NOTE: If replacing original Squeegee Mount Assembly PN 56392665 with the new Mount Assembly PN 56392218, remove the squeegee rollers from the squeegee. The new Squeegee Mount Assembly PN 56392218 has built in rollers.

WIRING DIAGRAM (before SN 1018020)

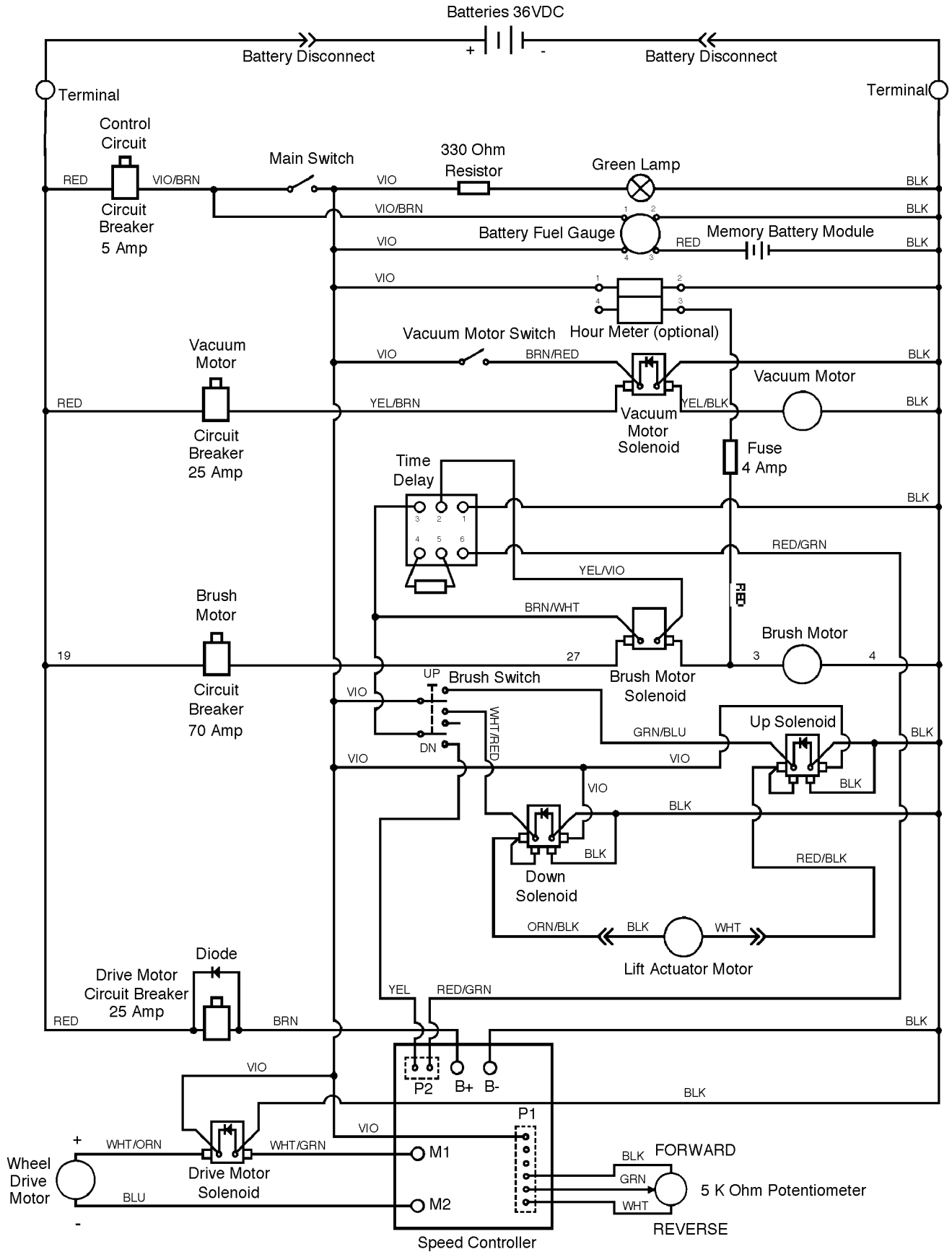
Batteries 36VDC



WIRING DIAGRAM (before SN 1018020)

Ref. No.	Qty	Description
56391627	1	Actuator
56392668	1	Battery/Hour Meter
56388534	1	Brush Down Solenoid
56389265	1	Diode
56391314	1	Brush Motor
56395452	1	Brush Motor Solenoid TSB 622, TSB 635
56389265	1	Diode
56377003	1	Brush Switch
56388534	1	Brush Up Solenoid
56389265	1	Diode
56387328	1	Circuit Breaker 5 Amp, Control Circuit
56469788	1	Circuit Breaker 25 Amp, Drive Motor
56469788	1	Circuit Breaker 25 Amp, Vacuum Motor
56454429	1	Circuit Breaker 70 Amp, Brush Motor
56454813	1	Diode
56388585	1	Drive Motor
56395452	1	Drive Motor Solenoid NOTE #1
56454831	1	Diode
56406326	1	Fuse 4 Amp
56467410	1	Indicator Light
56478640	1	Main Switch
56391205	1	Main Wiring Harness
56454740	1	Potentiometer
56395404	1	Resistor 330 Ohm
56391210	1	Speed Controller TSB 635
56391208	1	Vacuum Motor
56395452	1	Vacuum Motor Solenoid
56389265	1	Diode
56388019	1	Vacuum Motor Switch

WIRING DIAGRAM (after SN 1018019)



WIRING DIAGRAM (after SN 1018019)

Ref. No.	Qty	Description
56391627	1	Actuator
56393717	1	Battery Fuel Gauge
56388534	1	Brush Down Solenoid
56389265	1	Diode
56391314	1	Brush Motor
56395452	1	Brush Motor Solenoid TSB 635, TSB 632
56377003	1	Brush Switch
56388534	1	Brush Up Solenoid
56389265	1	Diode
56387328	1	Circuit Breaker 5 Amp, Control Circuit
56469788	1	Circuit Breaker 25 Amp, Drive Motor
56469788	1	Circuit Breaker 25 Amp, Vacuum Motor
56454429	1	Circuit Breaker 70 Amp, Brush Motor
56454813	1	Diode
56388585	1	Drive Motor
56395452	1	Drive Motor Solenoid
56454831	1	Diode
56406326	1	Fuse 4 Amp
56393718	1	Hour Meter (optional / order kit PN 56392806)
56467410	1	Indicator Light
56478640	1	Main Switch
56392119	1	Main Wiring Harness
56454740	1	Potentiometer
56395404	1	Resistor 330 Ohm
56391210	1	Speed Controller TSB 635
56391357	1	Time Delay TSB 632
56391208	1	Vacuum Motor
56395452	1	Vacuum Motor Solenoid
56389265	1	Diode
56388019	1	Vacuum Motor Switch

** = Not Included



Nilfisk-Advance, Inc.
14600 21st Avenue North
Plymouth, MN, 55447-3408
www.nilfisk-advance.com
Phone: 800-989-2235
Fax: 800-989-6566
©2000 Nilfisk-Advance, Inc.,
Plymouth, MN 55447-3408
Printed in the U.S.A.