

BRONCO WET / DRY



BRONCO 4



BRONCO 8



BRONCO 24



BRONCO 24 FMS

BRONCO WET / DRY

IMPORTANT SAFETY INSTRUCTIONS

Read all instructions before using or servicing machine.



WARNING: Shock or electrocution hazard.
ALWAYS unplug machine before performing any maintenance or service.



WARNING: Shock or electrocution hazard.
NEVER connect this machine to an electrical outlet that is not properly grounded. See grounding instructions.



WARNING: Fire or explosion hazard.
NEVER use to pick up flammable or combustible liquids, or any thing that is burning or smoking, such as cigarettes, matches, or hot ashes.

NEVER operate this machine in an explosive atmosphere (grain dust, flammable liquids or fumes, etc.



WARNING: To reduce the risk of fire, electric shock, or injury:

INTENDED USE

The Bronco units are intended for commercial use, vacuuming wet spills and / or dry debris from floors, in an indoor environment. This machine is **NOT** for use in asbestos or hazardous waste removal. NSS does not recommend using these machines for any other purpose.

When Using An Electrical Appliance, Basic Precautions Should Always Be Followed, Including The Following:

- **ALWAYS** read and understand all instructions before operating or servicing machine.
- **ALWAYS** use this machine **ONLY** as described in this manual.
- **NEVER** attempt to operate this machine unless you have been trained in its operation.
- **NEVER** allow an untrained person to operate this machine.
- **NEVER** leave the machine plugged in to the electrical outlet when not in use.
- **NEVER** unplug the machine from an electrical outlet until after the machine is turned off.
- If appliance is not working as it should, has been dropped, damaged, left outdoors, or dropped into water, return it to a service center.
- **NEVER** disconnect or modify any switches or safety devices.
- **NEVER** operate this machine if the cord and / or plug has been damaged, broken, cut, abraded or taped.
- **ALWAYS** replace the entire cord when the cord or plug is damaged in any way.
- **NEVER** handle the machine, cord, or plug with wet hands.
- **NEVER** drop or insert any object into any machine opening.
- **NEVER** operate this machine with any air opening blocked. Keep all air openings free of dust, lint, hair, etc.
- **NEVER** pull or carry the machine by it's electrical supply cord, use the cord as a handle, close a door on the cord, pull the cord around sharp edges or corners, expose to heated surfaces, run machine over cord, or set heavy or sharp objects on the cord.
- **NEVER** unplug by pulling on the cord. To unplug the cord from the outlet, grasp the plug, not the cord.
- **NEVER** allow this machine to be used as a toy. Close attention is necessary when used by or near children.
- **ALWAYS** keep face, fingers, hair or any other body part or loose clothing away from any machine opening or moving part.
- **ALWAYS** use extreme care when cleaning on stairs or when machine is placed on stairs.
- **NEVER** operate this machine with out the dust bag and / or filters in place.
- **NEVER** use any attachments other than the manufacturers recommended attachments.
- **NEVER** spray this machine with water or any liquids.
- **NEVER** operate the machine outdoors.
- **NEVER** expose the machine to rain, snow, or extreme temperatures.
- **ALWAYS** store this machine indoors in a dry, cool area.
- **ALWAYS** use a defoamer when vacuuming soapy liquids.

ALL REPAIR SERVICE MUST BE PERFORMED BY AN NSS AUTHORIZED DISTRIBUTOR / SERVICE STATION USING ONLY NSS ORIGINAL EQUIPMENT PARTS.

SAVE THESE INSTRUCTIONS



MANUEL D'UTILISATION BRONCO WET / DRY

IMPORTANTES INSTRUCTIONS DE SÉCURITÉ

Lisez toutes les instructions avant d'utiliser ou de réparer et faire l'entretien de l'appareil.

⚠ AVERTISSEMENT: Danger de choc ou d'électrocution.

TOUJOURS débrancher l'appareil avant tout entretien ou réparation.

⚠ AVERTISSEMENT: Danger de choc ou d'électrocution.

NE JAMAIS brancher cet appareil à une prise électrique qui n'est pas mise à la terre correctement. Voir les instructions de mise à la terre.

⚠ AVERTISSEMENT: Pour réduire le risque d'incendies, de choc électrique ou de blessures.

UTILISATION PRÉVUE

Les appareils Bronco sont des appareils à utilisation commerciale pour aspirer les déversement humides et/ou les débris secs des planchers, dans un milieu intérieur. Cet appareil **N'est PAS** pour retirer l'amiante ou les déchets dangereux. NSS ne recommande pas d'utiliser ces appareils à d'autres fins.

En utilisant un appareil électrique, on doit suivre les précautions de bas, y compris ce qui suit :

- **TOUJOURS** lire et comprendre toutes les instructions avant d'utiliser ou de réparer l'appareil.
- **TOUJOURS** utiliser l'appareil **SEULEMENT** selon la description dans ce manuel.
- **NE JAMAIS** essayer de faire fonctionner cet appareil à moins d'être formé pour son utilisation.
- **NE JAMAIS** permettre à une personne non formée de faire fonctionner cet appareil.
- **NE JAMAIS** laisser l'appareil branché dans la prise de courant lorsqu'il n'est pas utilisé.
- **NE JAMAIS** débrancher l'appareil de la prise de courant avant qu'il ne soit éteint.
- **SI** l'appareil ne fonctionne pas correctement, a été échappé, endommagé, laissé à l'extérieur ou échappé dans l'eau, retournez-le à un centre de service.
- **NE JAMAIS** débrancher ou modifier les interrupteurs ou les dispositifs de sécurité.
- **NE JAMAIS** faire fonctionner cet appareil si le cordon et / ou la fiche est endommagé(e), brisé(e), coupé(e), usé(e) ou scellé(e) avec un ruban adhésif.
- **TOUJOURS** remplacer tout le cordon lorsque ce dernier ou la fiche est endommagé(e) de quelque façon que ce soit.
- **NE JAMAIS** manipuler l'appareil, le cordon ou la fiche avec les mains mouillées.

⚠ AVERTISSEMENT: Danger d'incendie ou d'explosion.

NE JAMAIS utiliser pour ramasser des liquides inflammables ou combustibles ou toute autre chose qui brûle ou fume, comme des cigarettes, des allumettes ou des cendres chaudes.

NE JAMAIS faire fonctionner cet appareil dans un milieu explosif (poussière céréalière, liquides ou fumées inflammables, etc.).

- **NE JAMAIS** laisser tomber ou insérer un objet dans toute ouverture de l'appareil.
- **NE JAMAIS** faire fonctionner cet appareil lorsqu'une ouverture d'air est bloquée. Garder toutes les ouvertures d'air libres de poussières, peluche, cheveux, etc.
- **NE JAMAIS** tirer ou porter l'appareil par son cordon électrique, utiliser le cordon comme poignée, fermer une porte sur le cordon, tirer le cordon autour de bords ou coins tranchants, exposer à des surfaces chauffées, faire passer l'appareil sur le cordon, ou déposer des objets lourds ou tranchants sur le cordon.
- **NE JAMAIS** débrancher en tirant le cordon. Pour débrancher le cordon de la prise, agripper la fiche non pas le cordon.
- **NE JAMAIS** laisser cet appareil servir de jouet. Attention tout particulièrement lorsque l'appareil est utilisé par ou près d'enfants.
- **TOUJOURS** garder le visage, les doigts, les cheveux ou toute autre partie du corps ou vêtements amples loin de toute ouverture de l'appareil ou pièce mobile.
- **TOUJOURS** utiliser l'appareil prudemment en nettoyant les escaliers ou lorsque l'appareil lui-même est sur l'escalier.
- **NE JAMAIS** faire fonctionner cet appareil sans sac à poussières et / ou filtres en place.
- **NE JAMAIS** utiliser d'accessoires autres que ceux recommandés par le fabricant.
- **NE JAMAIS** pulvériser cet appareil d'eau ou d'autres liquides.
- **NE JAMAIS** faire fonctionner l'appareil à l'extérieur.
- **NE JAMAIS** exposer l'appareil à la pluie, à la neige ou à des températures extrêmes.
- **TOUJOURS** ranger cet appareil à l'intérieur dans un endroit sec et frais.
- **TOUJOURS** utiliser un agent antimousse pour aspirer les liquides savonneux.

TOUTES LES RÉPARATIONS DOIVENT ÊTRE EFFECTUÉES PAR UN DISTRIBUTEUR / STATION SERVICE AUTORISÉ(E) NSS UTILISANT SEULEMENT DES PIÈCES ORIGINALES NSS.

CONSERVER CES INSTRUCTIONS



NOISE AND VIBRATION

NOISE - BRONCO 4

Sound pressure level at Operator position 69 dB(A)

NOISE - BRONCO 8

Sound pressure level at Operator position 69 dB(A)

NOISE - BRONCO 24

Sound pressure level at Operator position 69 dB(A)

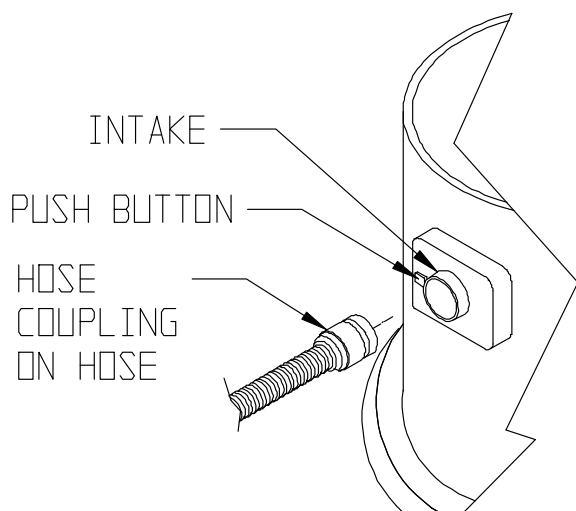
GENERAL INFORMATION

- Now that the machine is unpacked remember to recycle all packing materials.
- Inspect the machine for damage or missing components. If damage is found, contact the local freight company to file a freight claim.

ASSEMBLY

Installing the Hose

- Push in on the intake button, on the side of the intake, then, insert the end of the hose into the intake opening until it stops.
- To remove push in on the intake button, grasp the coupling and pull.



Attaching Wands and / or Tools

- Choose the proper tool for the operation being performed. Squeegee tool, for wet pick up. Brush tools, for bare floors or dusting.
- **Chrome Steel Wand**
- When assembling the 2-pieces be sure to line up the indicators prior to connecting the parts together.
- The top end of the upper half of the wand connects to the hose.
- The bottom end of the upper half fits over the upper end of the lower half of the wand.
- Connect the proper tool to the bottom of the bottom half of the wand with a friction fit.

Optional Front Mount Squeegee

The squeegee mounts to the base of the machine and is used for vacuuming large areas of water spills, or to pick up excess liquids after stripping floors.

Dusting

For overhead areas use the two-piece tube kit. For routine dusting attach the dusting brushes, or crevice tool directly to the end of the hose.

MACHINE OPERATION

With the switch in the off position, plug the electrical cord into an approved outlet. To turn the machine on, use the switch located on the lid of the machine.

Wet Pick Up

- Remove the polyester filter for wet pickup.
- Empty the tank.
- As the liquid level rises the built-in float will be activated. The built in float **will not** be activated by foam.
- The motor will speed up and sound different when the airflow is closed off.
- Turn the vacuum off and drain liquids according to your local EPA regulations.
- NSS recommends that you always use a defoamer agent along with low foaming chemicals diluted according to manufacturers specifications in order to protect the vac motor. If the vacuum motor is flooded with liquids or foam immediately turn the motor **OFF**.
- Consult your local distributor for complete chemical advice.
- When using the wand with the squeegee tool on floors, the operator should drop his / her arm slightly to allow air to enter the front edge of the tool on the forward stroke. On the backward stroke the operator should raise their arm slightly to allow the back edge of the tool to clear the floor. This method gives the air a chance to do the work in the most effective manner.
- The operator should make strokes at a leisurely pace and at a length that feels the most natural.
- Always work away from the machine, pulling the machine behind you.

Dry Pick Up

- Dry soil can be vacuumed directly into the tank.
- Clean or replace the filter bag when suction is reduced.
- Choose the proper wand and tool.

MAINTENANCE

Routine maintenance is critical to ensure proper machine operation and cleaning performance. Perform all maintenance procedures as follows:

WARNING: Always unplug machine before performing any maintenance.

Daily Maintenance

- Inspect the cord and plug for any damage.

NOTE: To prevent damage to the AC power cord, ALWAYS store the machine with the AC power cord coiled loosely over the machine.

- Remove the hose from the machine at the end of each workday, check for obstructions or damage. Repair or replace as necessary. The wand and / or tools should be removed from the hose and the hose should be laid in a loose coil, or hung over several pegs on the wall. Clean the floor tool and wand of dirt and / or liquid residue.
- Empty the tank after each use.

Wet Pickup

- After each use the machine should be emptied and rinsed with clean water. Empty liquids and dispose of according to local EPA regulations. Allow to air dry.
- Shake the dirt and / or debris from the filter, if the machine was used for stripper pickup the filter must be thoroughly cleaned prior to air-drying.

Dry Pickup

A polyester filter bag is standard on this unit. Shaking lightly before removing from container will clean the filter.

- Shake the debris from the filter bag. The filter bag must be cleaned after each use to prevent loss of vacuum suction and possible machine damage.

Weekly Maintenance

- Inspect the hose for wear.
- Verify that all daily maintenance has been done.
- Check all gaskets for damage and to ensure an airtight fit. Repair or replace as necessary.
- Vacuum the filter bag to remove imbedded dirt and maintain airflow.
- Oil casters and wheels with light oil.
- Check the float for proper operation.

Monthly Maintenance

- Verify that all weekly maintenance has been done.
- Oil casters and wheels with a light machine oil.
- Replace casters and wheels as necessary.
- Inspect the floor tools for wear.

Every 4 months (Or 500 hours)

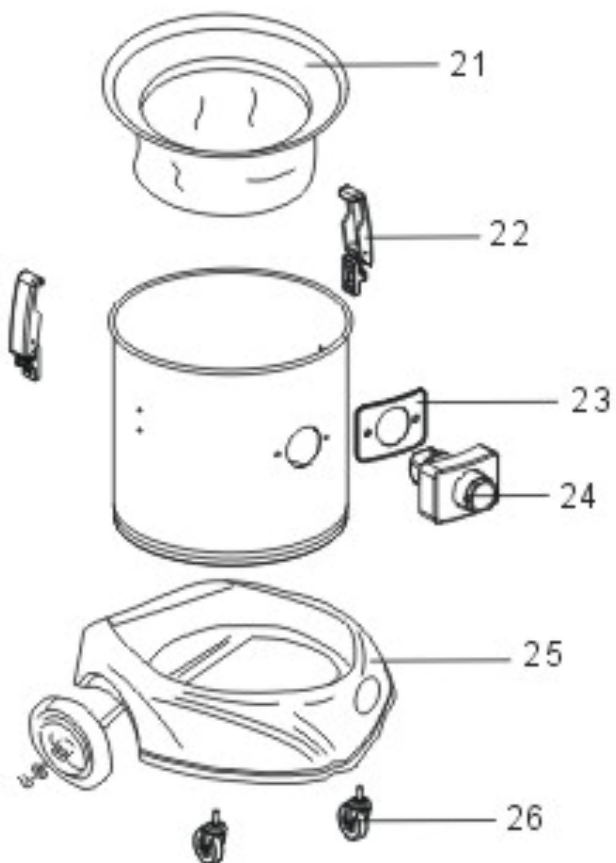
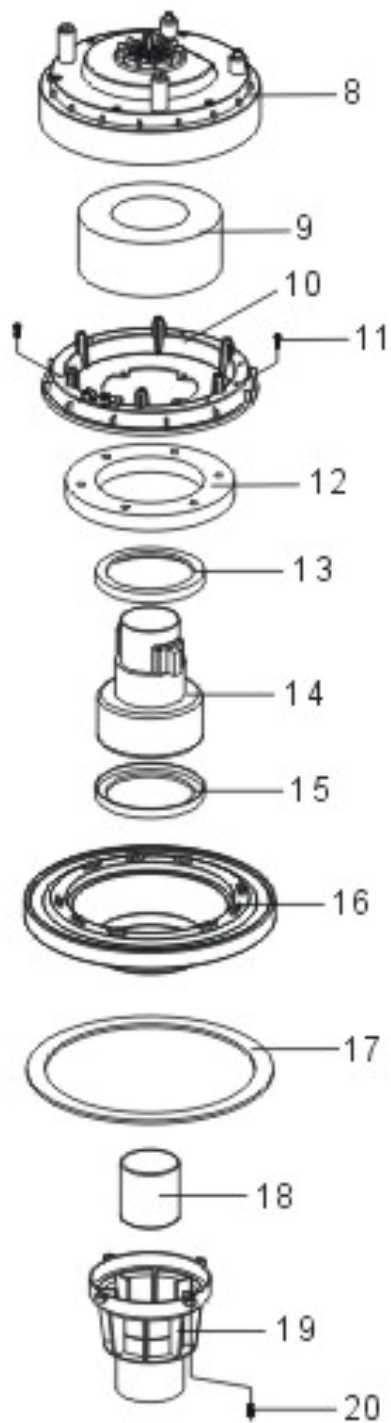
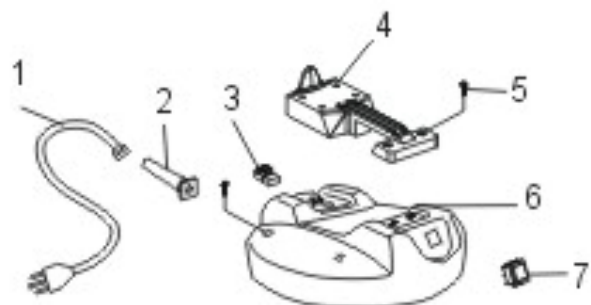
- Check carbon brushes for wear. When carbon brushes are 1/2" (1.27 cm) in length return the machine to an authorized NSS Service center for service.
- Failure to inspect vacuum motor for carbon brush wear can cause severe motor damage and failure.
- Check filters and gasket seals for wear or damage, replace if necessary.

TROUBLESHOOTING

Symptom	Cause	Solution
Machine Does Not Run.	Damaged Switch.	Replace Switch.
	Damaged Cord.	Replace Cord.
	Carbon Brushes Worn Out.	Replace Brushes.
	Vacuum Motor Worn Out.	Repair / Replace Vac Motor.
Machine Has Poor Or No Suction.	Obstruction in Hose, Tool, Wand or intake.	Remove Obstruction.
	Tank is Full.	Empty Tank
	Dirty Filters.	Clean or Replace Filters.
	Improper Coupling connection / Air Leak.	Check Gaskets for Fit or Damage. Adjust Coupling Connection.
	Gasket Missing, Damaged or Worn.	Replace Gasket.
	Holes in Hose.	Replace Hose.
Machine is Difficult to Move.	Damaged Wheels.	Replace Wheels.
	Damaged Caster.	Replace Caster.

Repair service for this machine must be performed by an NSS authorized service center. Repairs performed by an unauthorized company will void the machine warranty. If you require assistance finding an authorized service center, contact NSS Enterprises.

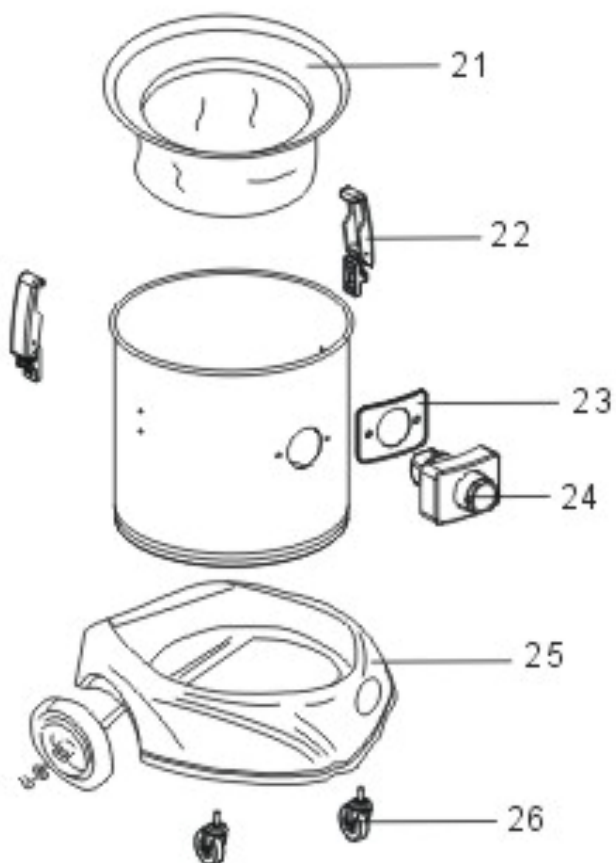
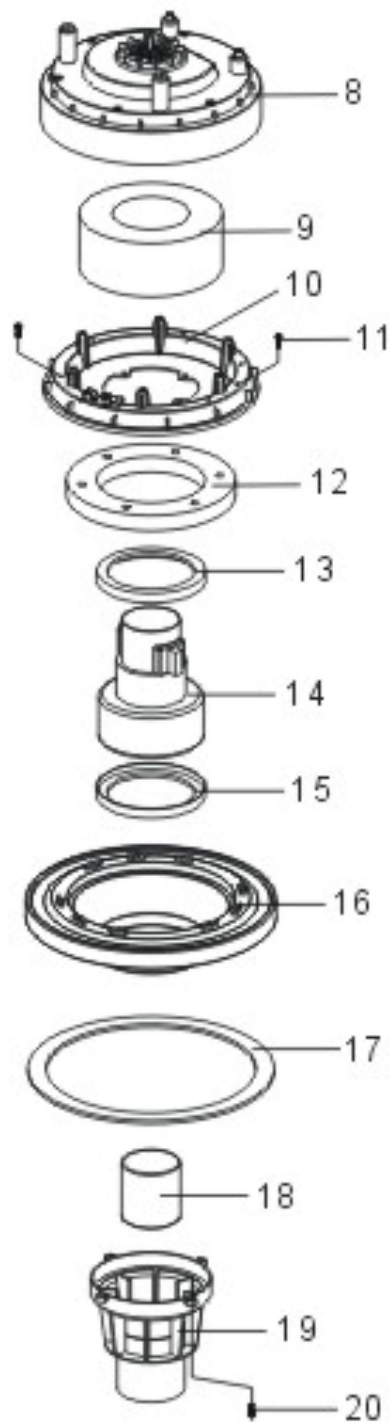
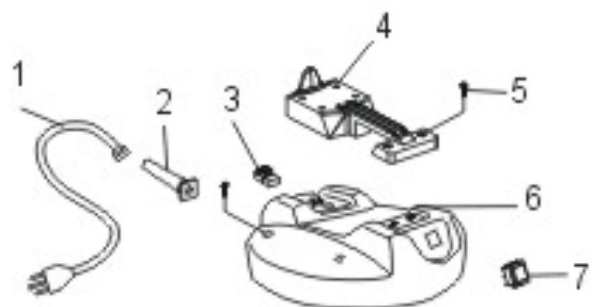
BRONCO 4



BRONCO 4

ITEM	PART NUMBER	DESCRIPTION	QTY
1	5796591 5798521	CORD, BRONCO 4 & 8, 120V CORD, BRONCO 4 & 8, 240V	1
2	5796601	CABLE, BRONCO 4 & 8	1
3	5796611	CABLE SLEEVE, BRONCO 4 & 8	1
4	5796621	HANDLE, BRONCO 4 & 8	1
5	5796631	SCREW, BRONCO 4 & 8	6
6	5796641	TOP COVER, BRONCO 4 & 8	1
7	5796651	SWITCH, BRONCO 4 & 8	1
8	5796661	MIDDLE COVER, BRONCO 4 & 8	1
9	5796671	INSULATION, BRONCO 4 & 8	1
10	5796681	MOTOR FIXING COVER, BRONCO 4 & 8	1
11	5796691	SCREW, BRONCO 4 & 8	16
12	5796701	INSUALTION COTTON, BRONCO 4 & 8	1
13	5796711	GASKET, BRONCO 4 & 8	1
14	5796721 5798511	MOTOR, BRONCO 4 & 8, 120V MOTOR, BRONCO 4 & 8, 240V	1
15	5796731	GASKET, MOTOR, BRONCO 4 & 8	1
16	5796741	MOTOR BASE, BRONCO 4 & 8	1
17	5796751	GASKET, MOTOR BASE, BRONCO 4 & 8	1
18	5795761	BALL FLOAT, BRONCO 4 & 8	1
19	5796771	FLOAT STAND, BRONCO 4 & 8	1
20	5796781	SCREW, BRONCO 4 & 8	4
21	5796791	CLOTH BAG, BRONCO 4 & 8	1
22	5796801	BUCKLE, BRONCO 4 & 8	2
23	5796811	INTAKE GASKET, BRONCO 4 & 8	1
24	5796821	INTAKE, BRONCO 4 & 8	1
25	5796831	BASE, BRONCO 4 & 8	1
26	5796841	FRONT WHEEL, BRONCO 4 & 8	2
27	5796851	REAR WHEEL, BRONCO 4 & 8	2

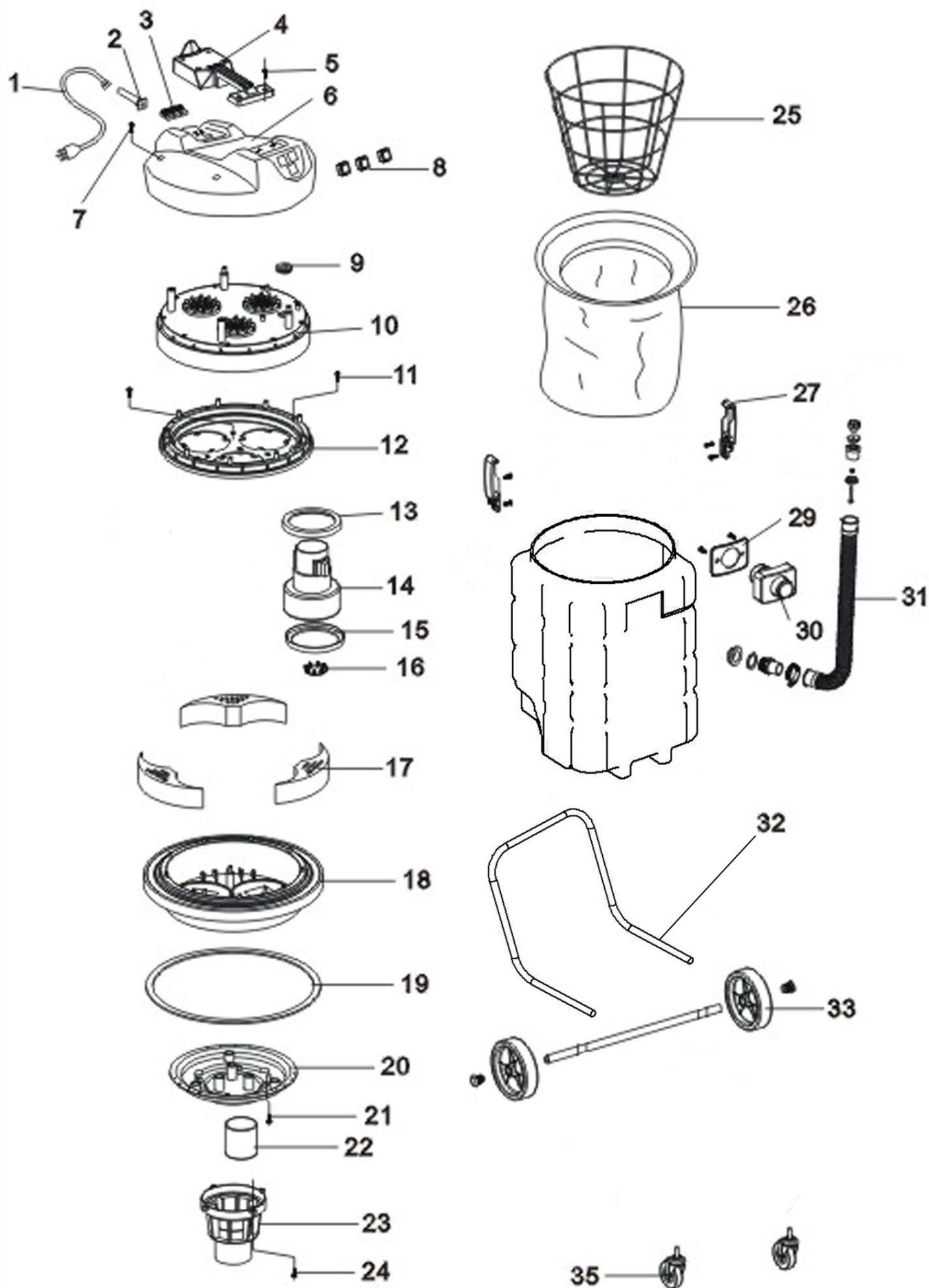
BRONCO 8



BRONCO 8

ITEM	PART NUMBER	DESCRIPTION	QTY
1	5796591 5798521	CORD, BRONCO 4 & 8, 120V CORD, BRONCO 4 & 8, 240V	1
2	5796601	CABLE, BRONCO 4 & 8	1
3	5796611	CABLE SLEEVE, BRONCO 4 & 8	1
4	5796621	HANDLE, BRONCO 4 & 8	1
5	5796631	SCREW, BRONCO 4 & 8	6
6	5796641	TOP COVER, BRONCO 4 & 8	1
7	5796651	SWITCH, BRONCO 4 & 8	1
8	5796661	MIDDLE COVER, BRONCO 4 & 8	1
9	5796671	INSULATION, BRONCO 4 & 8	1
10	5796681	MOTOR FIXING COVER, BRONCO 4 & 8	1
11	5796691	SCREW, BRONCO 4 & 8	16
12	5796701	INSUALTION COTTON, BRONCO 4 & 8	1
13	5796711	GASKET, BRONCO 4 & 8	1
14	5796721 5798511	MOTOR, BRONCO 4 & 8, 120V MOTOR, BRONCO 4 & 8, 240V	1
15	5796731	GASKET, MOTOR, BRONCO 4 & 8	1
16	5796741	MOTOR BASE, BRONCO 4 & 8	1
17	5796751	GASKET, MOTOR BASE, BRONCO 4 & 8	1
18	5795761	BALL FLOAT, BRONCO 4 & 8	1
19	5796771	FLOAT STAND, BRONCO 4 & 8	1
20	5796781	SCREW, BRONCO 4 & 8	4
21	5796791	CLOTH BAG, BRONCO 4 & 8	1
22	5796801	BUCKLE, BRONCO 4 & 8	2
23	5796811	INTAKE GASKET, BRONCO 4 & 8	1
24	5796821	INTAKE, BRONCO 4 & 8	1
25	5796831	BASE, BRONCO 4 & 8	1
26	5796841	FRONT WHEEL, BRONCO 4 & 8	2
27	5796851	REAR WHEEL, BRONCO 4 & 8	2

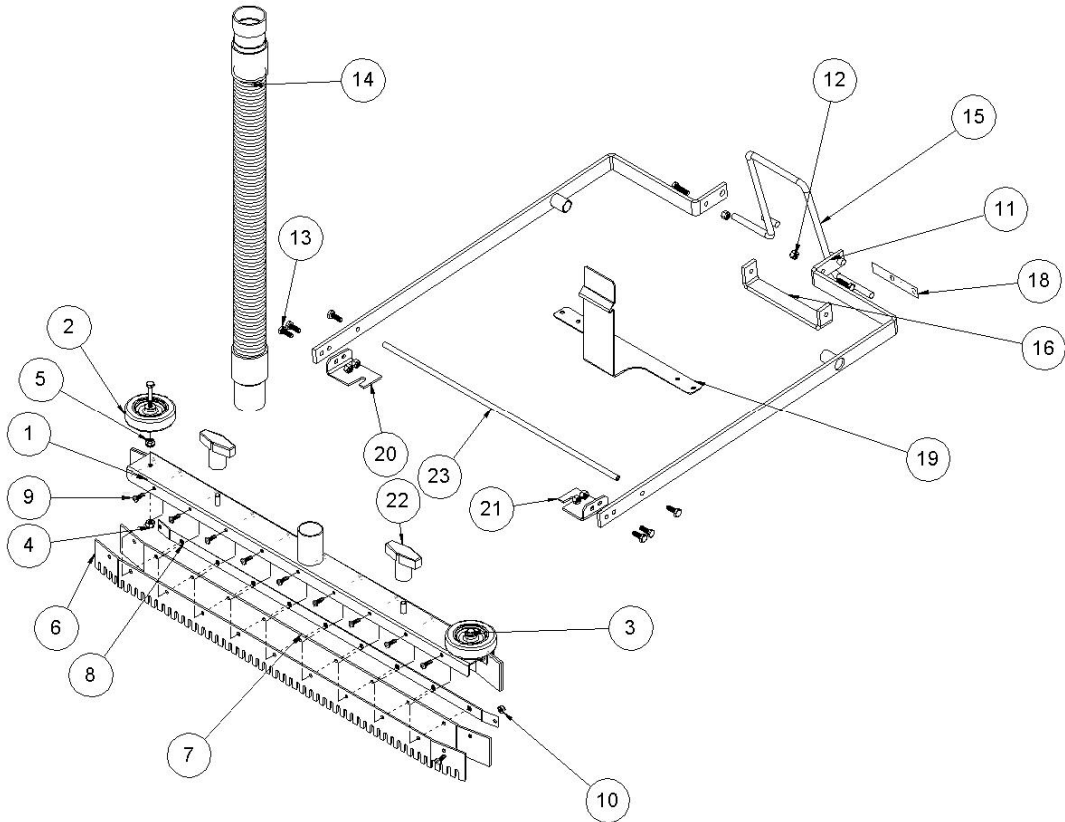
BRONCO 24



BRONCO 24

ITEM	PART NUMBER	DESCRIPTION	QTY
1	5797301 5795831	CABLE, BRONCO 24, 120V CABLE, BRONCO 24, 240V	1
2	5797311	CABLE SLEEVE, BRONCO 24	1
3	5797321	BINDER, BRONCO 24	1
4	5797331	HANDLE, BRONCO 24	1
5	5797341	SCREW, BRONCO 24	6
6	5797351	TOP COVER, BRONCO 24	1
7	5797361	SCREW, BRONCO 24	6
8	5797371	SWITCH, BRONCO 24	1
9	5797381	O-RING, BRONCO 24	4
10	5797391	MIDDLE COVER, BRONCO 24	1
11	5797401	SCREW, BRONCO 24	16
12	5797411	MOTOR FIXING COVER, BRONCO 24	1
13	5797421	TOP MOTOR GASKET, BRONCO 24	1
14	5797431 5798541	MOTOR, BRONCO 24, 120V MOTOR, BRONCO 24, 240V	1
15	5797441	BOTTOM MOTOR GSKT, BRONCO 24	1
16	5797451	SEAL PLATE, BRONCO 24	1
17	5797461	INSULATION, BRONCO 24	1
18	5797471	MOTOR BASE, BRONCO 24	1
19	5797481	SEAL RING, BRONCO 24	1
20	5797491	MOTOR MTG BASE, BRONCO 24	1
21	5797501	SCREW, BRONCO 24	4
22	5798291	BALL FLOAT, BRONCO 24	1
23	5798301	FLOAT STAND, BRONCO 24	1
24	5798311	SCREW, BRONCO 24	4
25	5798321	BAG STAND, BRONCO 24	1
26	5798331	FILTER BAG, BRONCO 24	1
27	5798341	BUCKLE, BRONCO 24	1
29	5798351	INTAKE GASKET, BRONCO 24	1
30	5798411	INTAKE, BRONCO 24	1
31	5798421	DUMP HOSE, BRONCO 24	1
32	5798431	HANDLE, BRONCO 24	1
33	5798441	REAR WHEEL, BRONCO 24	2
35	5798461	FRONT WHEEL, BRONCO 24	2

BRONCO 24 FRONT MOUNT SQUEEGEE

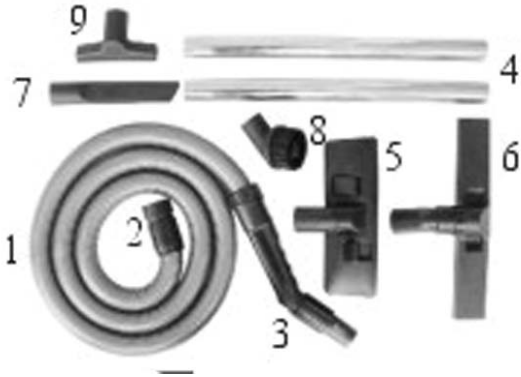


ITEM	PART NUMBER	DESCRIPTION	QTY
1	5795141	SQUEEGEE HOUSING	1
2	5795151	SQUEEGEE WHEEL	2
3	9121145	1/4-20 X 2" LONG HEX HEAD BOLT	2
4	9120900	1/4-20 HEX NUT WITH NYLOK	2
5	9120920	1/4-20 HEX NUT	2
6	5795111	BLADE - SLOTTED	2
7	5795121	BLADE - SOLID	2
8	5795131	BLADE - SUPPORT	2
9	9120771	#10-32 X 5/8" LONG PAN HEAD MACHINE SCREW	22
10	9120660	#10-32 HEX NUT WITH NYLOK	4
11	5795331	LIFT ARM	2
12	9120900	1/4-20 HEX NUT WITH NYLOK	6
13	9121250	1/4-20 X 3/4" LONG HEX HEAD BOLT	6
14	5795471	FRONT MOUNT SQUEEGEE HOSE	1
15	5795161	CROSSBAR	1
16	5795101	LATCH	1
18	5795481	STEP TO LIFT DECAL	1
19	5795301	SQUEEGEE LOCK BRACKET	1
20	5795191	BRACKET, SQ MNT, RH	1
21	5795201	BRACKET, SQ MNT, LH	1
22	5795211	KNOB, SQUEEGEE-KMA	2
23	5795181	FRONT CROSS BAR	1

BRONCO ACCESSORIES

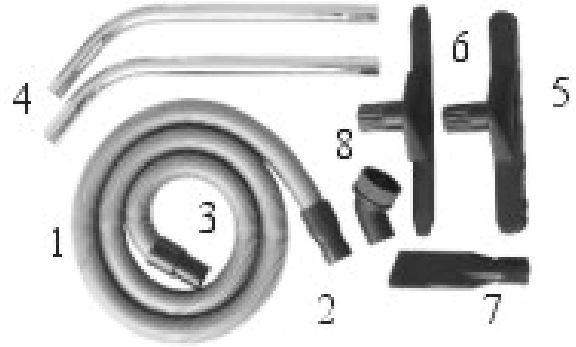
INCLUDED WITH MACHINES

BRONCO 4 TOOL KIT 5796121



ITEM	PART NUMBER	DESCRIPTION	QTY
1	5796131	HOSE, BRONCO 4	1
2	5796141	SHORT CNCTR, BRONCO 4	1
3	5796151	LONG CNCTR, BRONCO 4	1
4	5796161	STEEL PIPE, BRONCO 4	2
5	5796171	DRY FLOOR TOOL, BRONCO 4	1
6	5796181	SQUEEGEE TOOL, BRONCO 4	1
7	5796191	CREVIS TOOL, BRONCO 4	1
8	5796201	ROUND BRUSH, BRONCO 4	1
9	5796211	UPHOLSTRY TOOL, BRONCO 4	1

BRONCO 8 AND 24 5796861



ITEM	PART NUMBER	DESCRIPTION	QTY
1	5796931	HOSE, BRONCO 8 & 24	1
2	5796941	SHORT CNCTR, BRONCO 8 & 24	1
3	5796951	LONG CNCTR, BRONCO 8 & 24	1
4	5796961	STEEL PIPE, BRONCO 8 & 24	2
5	5796971	DRY FLOOR TOOL, BRONCO 8 & 24	1
6	5796981	SQUEEGEE, BRONCO 8 & 24	1
7	5796991	CREVIS TOOL, BRONCO 8 & 24	1
8	5797001	ROUND BRUSH, BRONCO 8 & 24	1



NSS® Enterprises, Inc.

3115 Frenchmens Road, Toledo, Ohio 43607
 PHONE (419) 531-2121 FAX (419) 531-3761
NSS® Enterprises, Inc. European Distribution Centre
 Unit II, Pinfold Trading Estate * 55 Nottingham Road
 STAPLEFORD, NOTTINGHAM NG9 8AD ENGLAND U.K.
 PHONE: (44) 0115 939 1568 * FAX: (44) 0115 949 0615