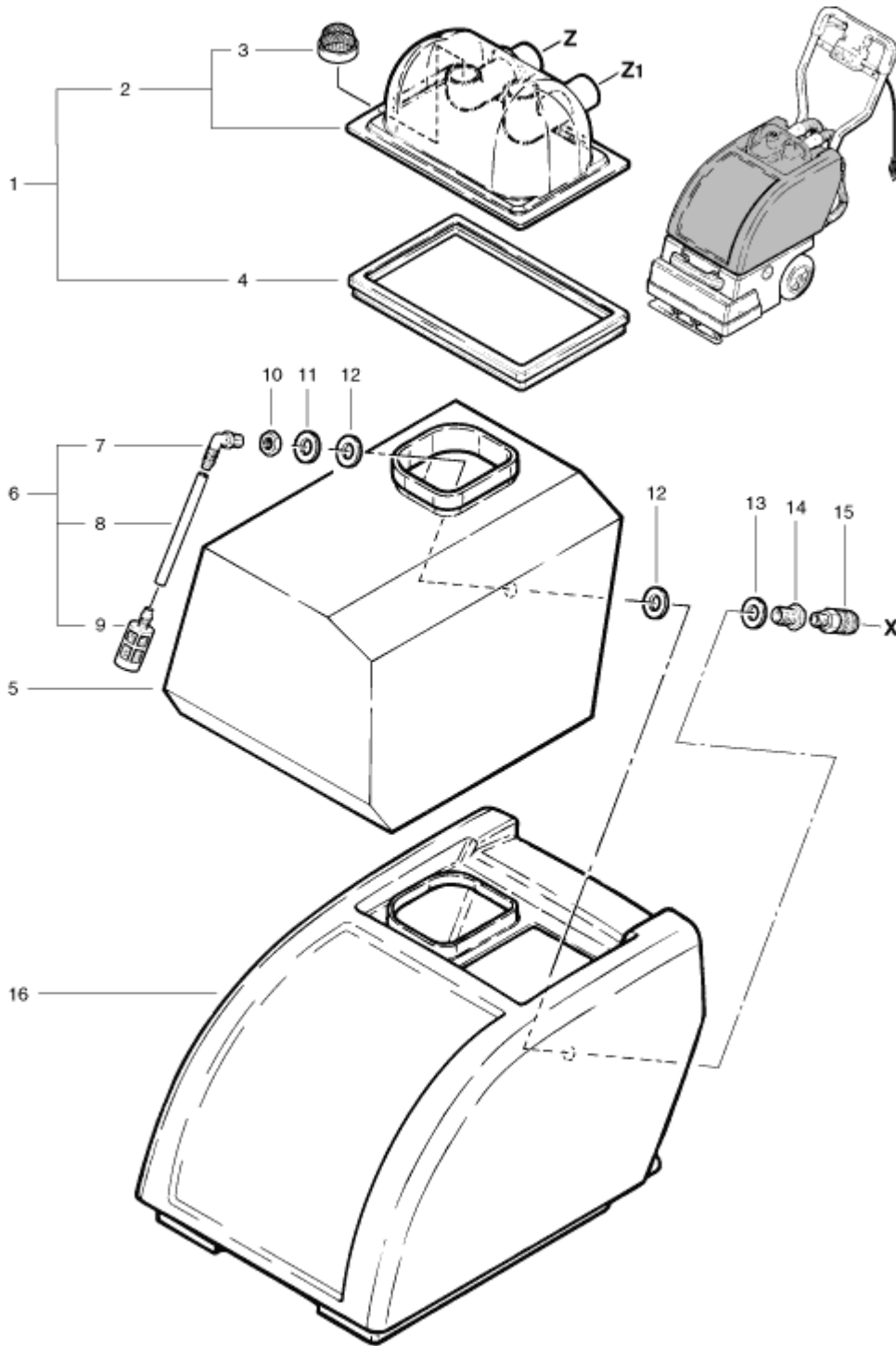
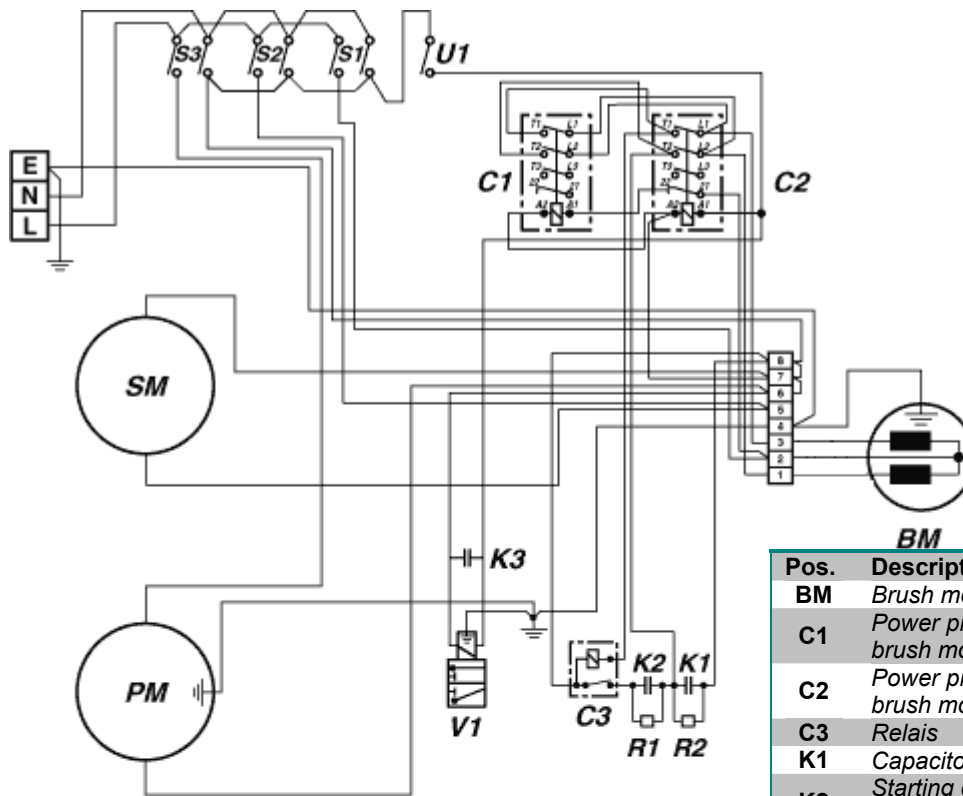


## CM-13 TANK COVER & FRESH WATER TANK



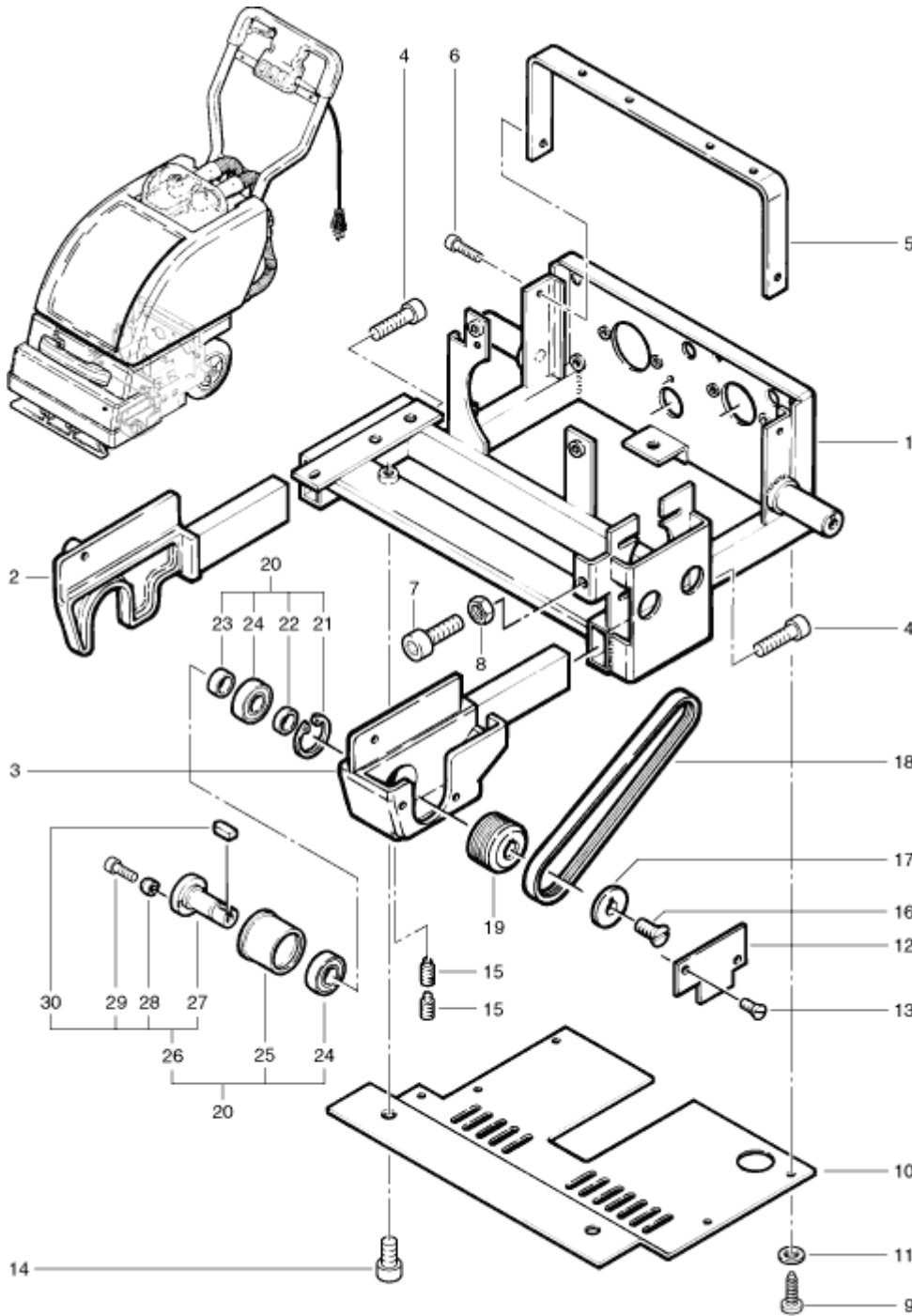
Pos.	Description	Reference
01	Tank cover complete including Items 2-4	530.755
02	Tank cover	400.756
03	Filter	400.766
04	Seal for cover	420.723
05	Fresh water tank	420.722
06	Suction hose complete including Items 7-9	400.725
07	Angled fitting G 1/4"	P...541 I
08	Suction hose 8/6 x 100	400.261 B
09	Fresh water filter	P...528
10	Hexagon nut G 3/8"	P...535 B
11	Washer Ø 35	P...098
12	Seal Ø 35	P...097 B
13	Gasket Ø 30/17x2	P...097
14	Reducer G 3/8"-1/4"	P...535 A
15	Female quick connector 1/4"	P... 500 B
16	Tank	420.721

## CM-13 WIRING DIAGRAM



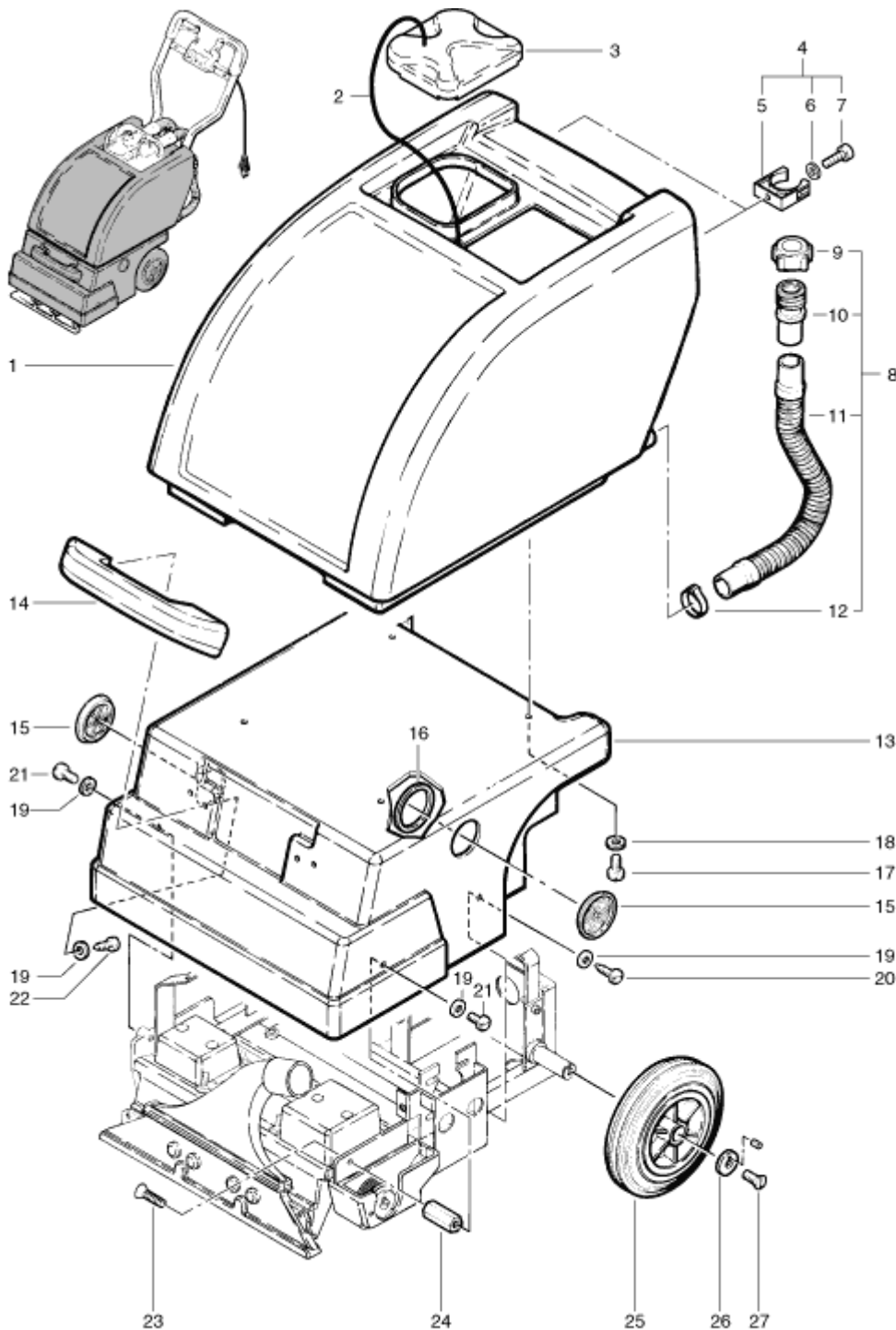
Pos.	Description	Reference
BM	Brush motor	421.281
C1	Power protector for brush motor	P...353 A
C2	Power protector for brush motor	P...353 A
C3	Relais	420.331 A
K1	Capacitor 50 $\mu$ F	P...385 F
K2	Starting capacitor 70 $\mu$ F	P...385 G
K3	Capacitor 0.33 $\mu$ F	P...393 A
PM	Flojet-Pump	P...823
R1	Resistor 8.2 kOhm	421.321
R2	Resistor 5.6 kOhm	421.320
S1	Tumbler switch for brush motor	P...240
S2	Tumbler switch for vacuum Motor	P...240
S3	Tumbler switch for pump	P...240
SM	Vacuum motor	420.210 A
U1	Switch for brush motor	P...242
V1	Magnetic valve 3/2 ways	420.276 A

# CM-13 CHASSIS



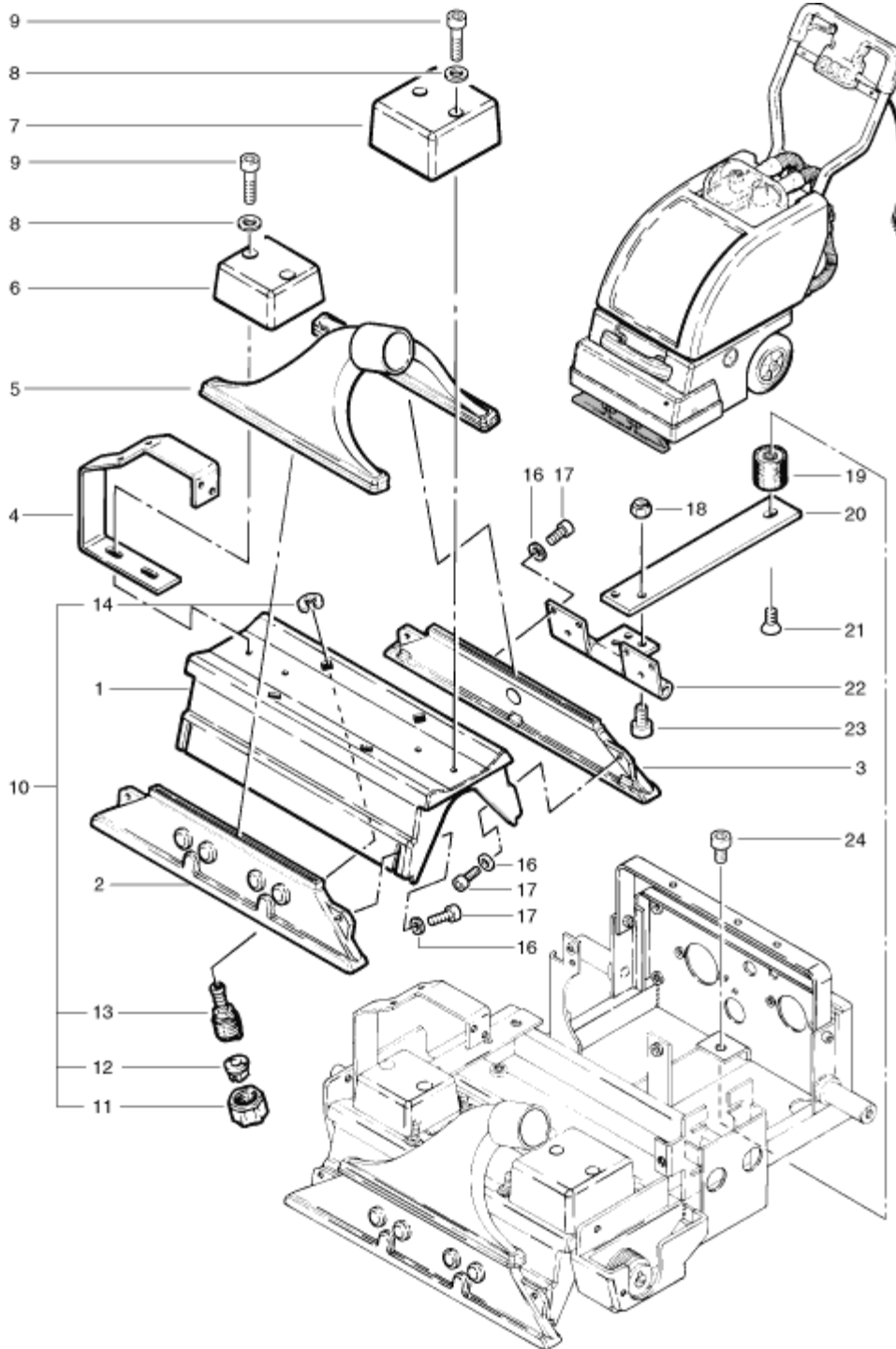
Pos.	Description	Reference
01	Chassis compl.	400.110
02	Right support	400.114
03	Left support	421.112
04	Hexagon socket screw M 6x25	P...486 T
05	Frame	420.352
06	Hexagon socket screw M 4x12	P...486 A
07	Hexagon socket screw M 8x25	P...487 D
08	Hexagon nut M 8	P...490 E
09	Screw 2,9x9,5	P...483 G
10	Bottom plate	420.119
11	Washer M 3	P...497 B
12	Cover	420.118
13	Countersunk screw M 4x8	P...480 C
14	Hexagon socket screw M 8x10	P...487A
15	Thread pin M 5x5	P...482 Z
16	Countersunk screw M 6x12	P...487 U
17	Attaching washer	P...499
18	Driving belt	420.425
19	Belt pulley	490.415
20	Brush axle complete including Items 21-30	400.401
21	Retaining ring I 32	P...514 K
22	Distance ring 18/15x4	400.414
23	Distance ring 13/15x6,8	400.413
24	Ball bearing	P...316 M
25	Bearing box	400.410
26	Axe complete including Items 27-30	400.405
27	Axle	400.411
28	Distance ring	400.418
29	Hexagon socket screw M 4x8	P...488 D
30	Wedge	400.420

## CM-13 TANK & CHASSIS COVER



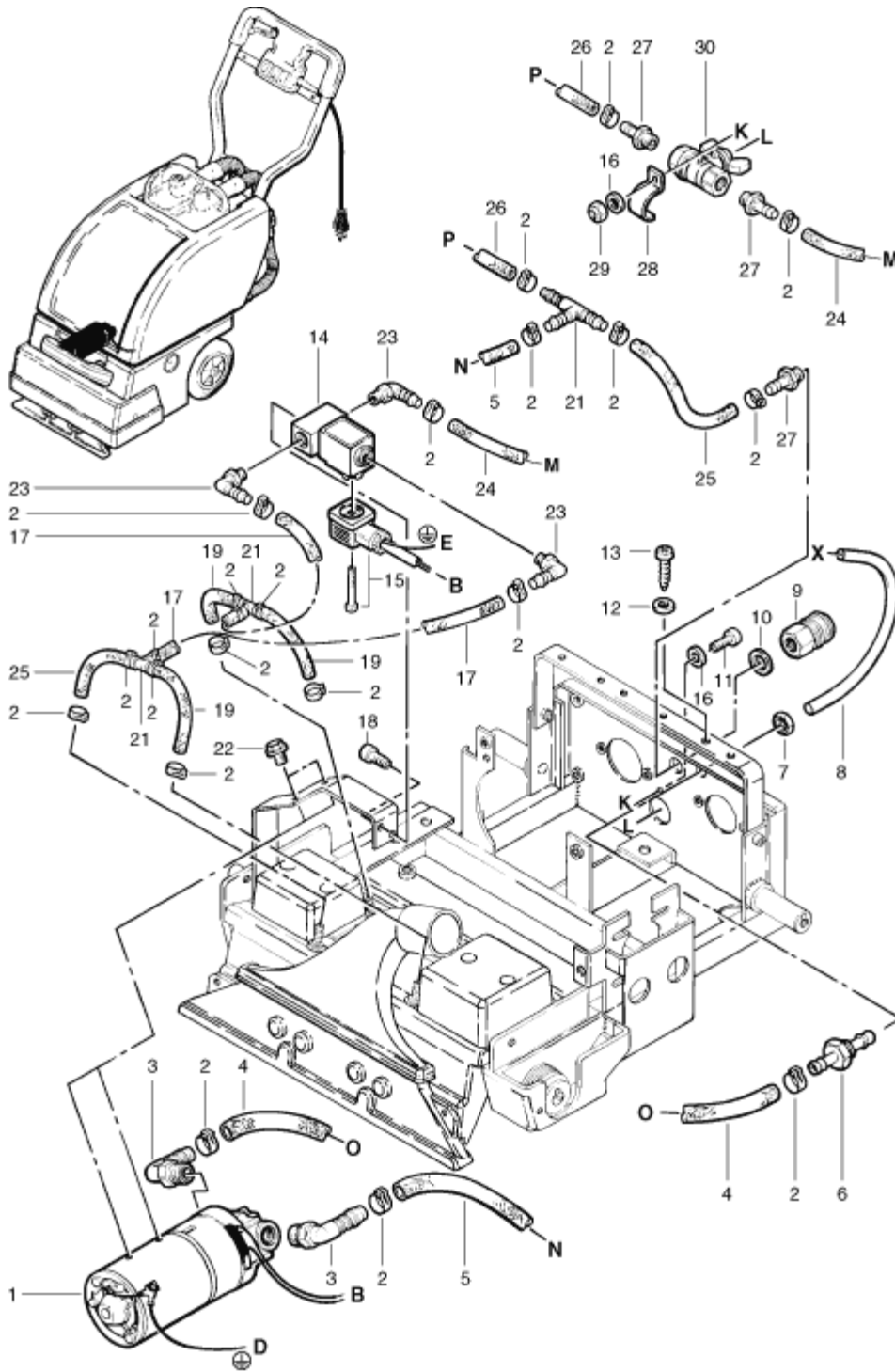
Pos.	Description	Reference
01	Tank	420.721
02	Cordle	490.750
03	Clean water tank cover	530.758
04	Hose support complete including items 5-7	400.445
05	Hose support	P...109 A
06	Washer M 5	P...497 G
07	Hexagon socket srew M 5x14	P...488 F
08	Discharge hose complete including items 9-12	480.740
09	Hose socket cap	500.410
10	Hose socket	500.409 A
11	Discharge hose 330 mm	480.741
12	Hose clamp Ø 36,5-39,6	P...553 R
13	Chassis cover	420.711
14	Handle	077.560
15	Handle	P...030 L
16	Attaching ring	400.713
17	Pan head screw M 6x12	P...475 T
18	Washer M 6	P...496 L
19	Washer M 5	P...497 G
20	Hose socket cap 4,8x13	P...482 L
21	Srew M 6x12	P...475 T
22	PT-srew KA 50x18	P...516 Q
23	Countersunk screw M 5x10	P...480 B
24	Distance piece	420.111
25	Wheel 200x53	500.249
26	Attaching washer Ø 30x3	P...499
27	Countersunk screw M 6x12	P...487 U

## CM-13 BRUSH HOUSING & NOZZLES



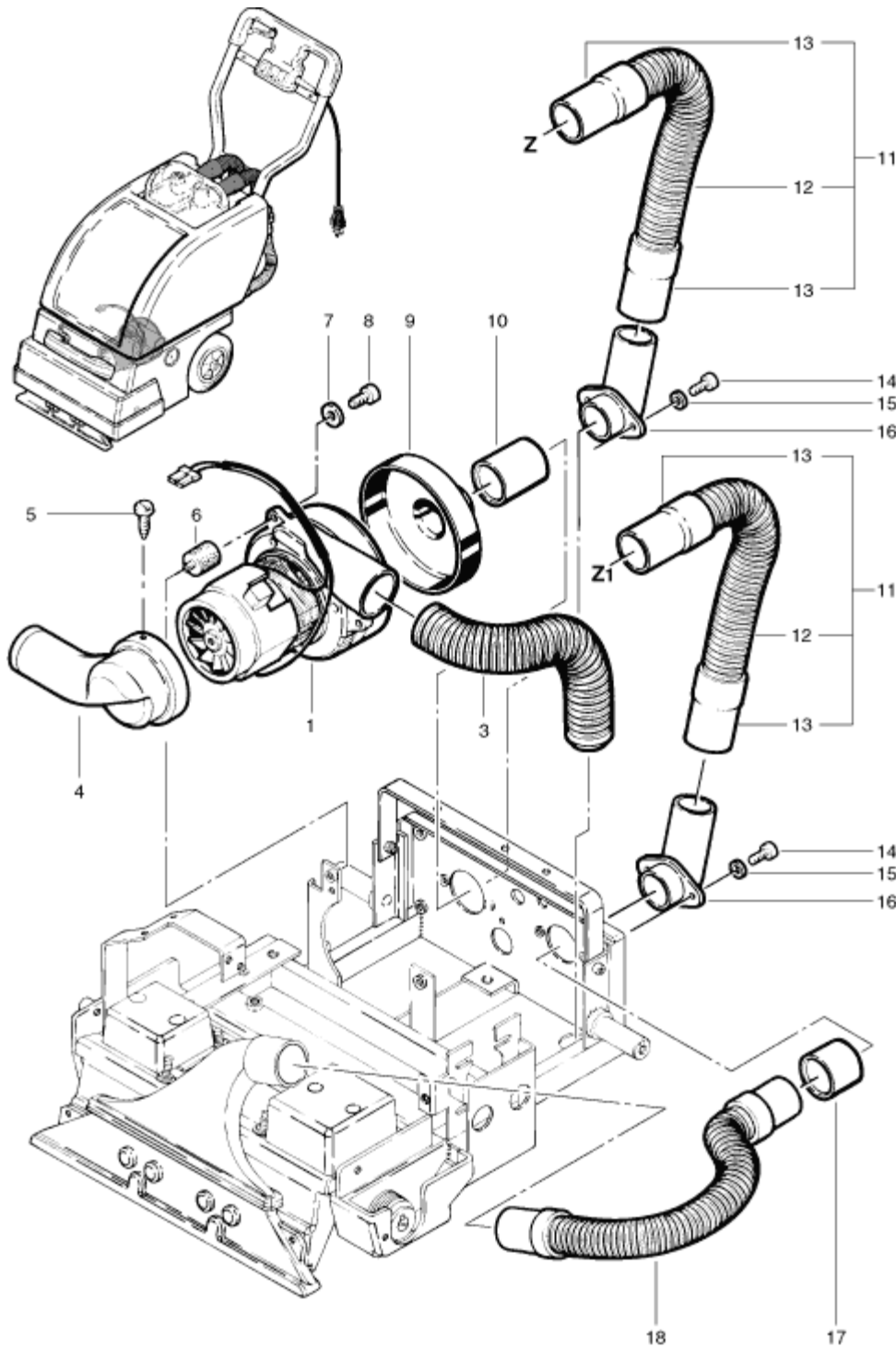
Pos.	Description	Reference
01	Brush canal	420.510
	Suction nozzle (front)	420.520
03	Suction nozzle (rear)	420.530
	Pump holder	420.569
05	Adaptor for suction nozzle	420.560
	Weight (right)	420.567
07	Weight (left)	420.564
	Washer M 6	P...496 K
09	Hexagon socket screw M 6x30	P...488 S
	Spraying nozzle complete including items 11-14	420.550
11	Cup nut 3/8"	P...602 D
	Spraying jet	P...627 B
13	Holder for nozzle	P...602 E
	Security washer	P...499 N
16	Washer M 5	P...497 G
	Hexagon screw M 5x12	P...488 B
18	Stopp-nut M 6	P...492 K
	Round buffer	420.393
20	Lever	420.392
	Countersunk screw M 8x12	P...479 R
22	Hinge	420.391
	Hexagon screw M 6x16	P...488 P
24	Hexagon screw M 8x10	P...487 A

# CM-13 PUMP ASSEMBLING & HOSES



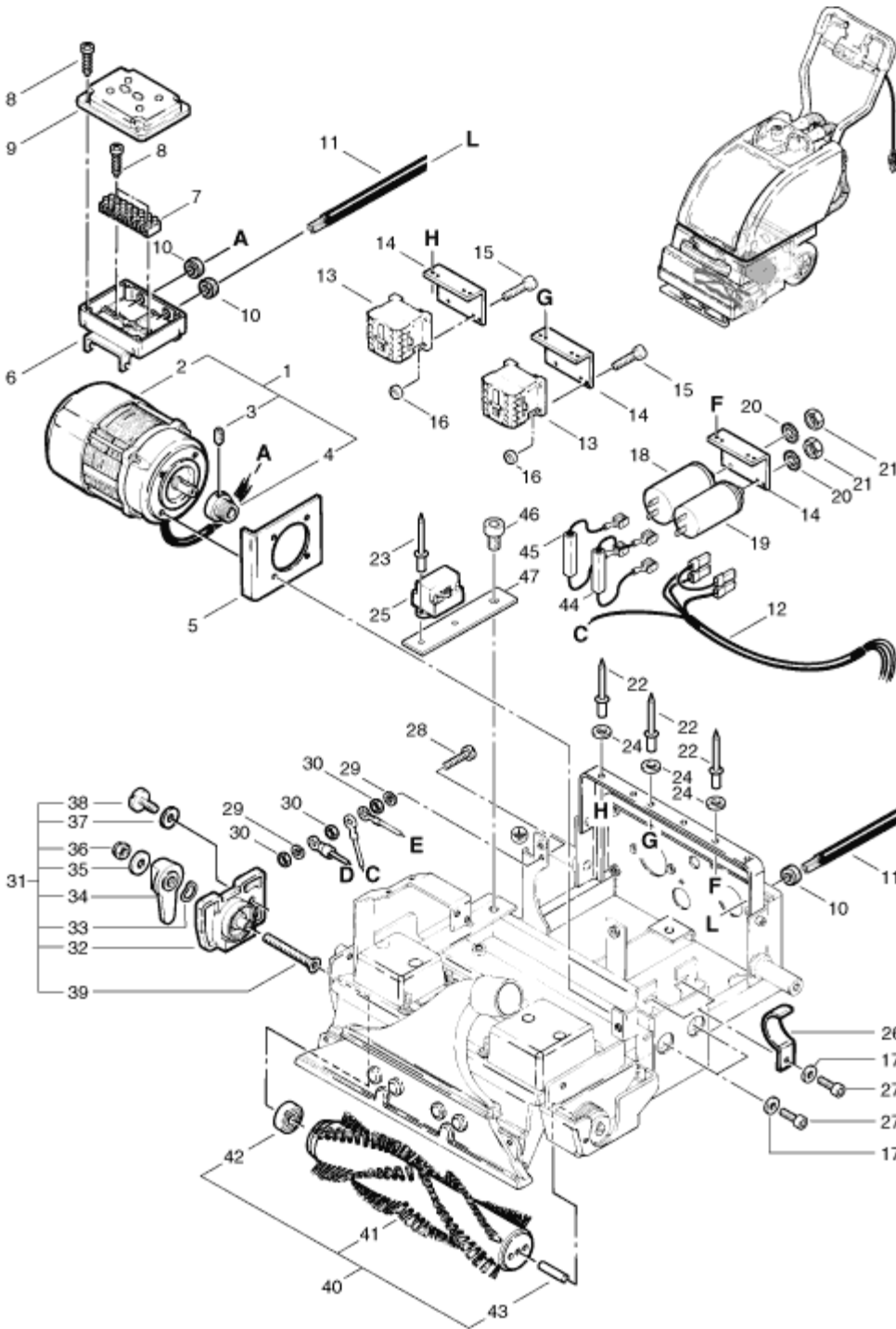
Pos.	Description	Reference
01	Pump	P...823
02	Clamp 14,5 mm	P...550 A
03	Angled nipple 8-3/8"	P...541 M
04	Pressure hose 400 mm	420.261
05	Pressure hose 200 mm	420.269
06	Double fitting	400.342
07	Hexagon nut G 1/8"	P...535 I
08	Connection hose	420.725
09	Female quick connector 1/4" IG	P...500 A
10	Washer 14/24x2 mm	P...260
11	Hexagon socket screw M 5x12	P...488 B
12	Washer M 3	P...497 B
13	Screw KA 30x10	P...516 Z
14	Magnetic valve 3/3 ways	420.276 A
15	Cable for magnetic valve	550.257
16	Washer M 5	P...497 E
17	Hose 300 mm	420.261 A
18	Hexagon socket screw M 5x8	P...488 E
19	Hose 140 mm	420.341
21	Connection piece TS 8	P...544 D
22	Taptite-screw	P...484 R
23	Angled nipple 8-1/8"	P...541 G
24	Hose 650 mm	420.262 A
25	Hose 110 mm	420.343
26	Hose 250 mm	420.262
27	Male connector NW 8-1/4" AG	P...524 F
28	Bracket	450.336 A
29	Stop nut M 5	P...493 G
30	Ball tap	P...508 B

## CM-13 SUCTION MOTOR & HOSES



Pos.	Description	Reference
01	Suction motor 120V 60Hz	420.210 A
03	Noise absorbing hose	400.227
04	Tube for motor cooling	420.361
05	Screw 2,9x9,5	P...483 G
06	Round buffer $\varnothing$ 20x30 mm	400.214
07	Washer M 6	P...496 L
08	Hexagon socket screw M 6x16	P...486 V
09	Hose connection cap	500.445
10	Connection piece	420.212
11	Complete hose including Items 12+13	411.770
12	Hose 40/33x310	411.772
13	Socket NW 32	P...575 B
14	Hexagon socket screw M 4x12	P...486 A
15	Washer M 4	P...496 C
16	Connection piece	420.220
17	Socket 45/37,5x47 mm	400.224
18	Suction hose	500.408 A

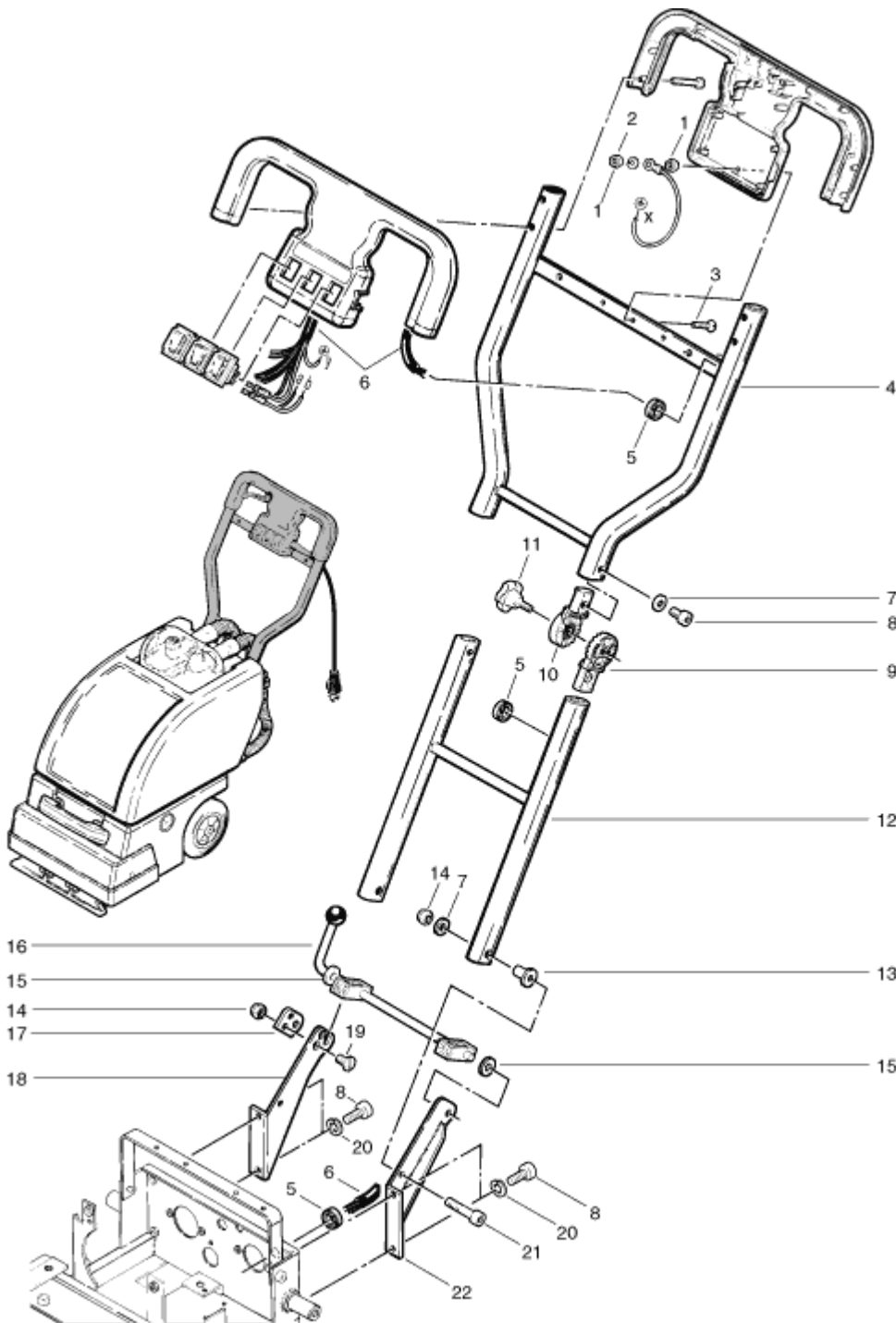
# CM-13 BRUSH MOTOR & BRUSH SUPPORT



Pos.	Description	Reference
01	Brush motor complete including Items 2-4	421.281
02	Brush motor 370W	400.281 B
03	Threaded pin M 6x10	P...484 Y
04	Belt pulley	420.290
05	Motor holder 110x90x3	400.291
06	Distribution box	400.320 A
07	Terminal 9 poles	P...383 M
08	PT-Screw KA 30x14	P...516 S
09	Cover of distribution box	P...379 A
10	Rubber clamp	P...408 K
11	Harness for pushbar	420.305 A
12	Harness for capacitor	402.306 A
13	Power protector	P...353 A
14	Angle	420.116
15	Cyl. Head screw M 3x14	P...477 D
16	Hexagon nut M 3	P...491 P
17	Washer M 5	P...496 G
18	Capacitor 50 µF	P...385 F
19	Capacitor 70 µF	P...385 G
20	Serrated lock washer M 8	P...499 F
21	Hexagon nut M 8	P...490 E
22	Blind rivet 3x10	P...485 J
23	Blind rivet 4x8	P...485 C
24	Washer M 3	P...497 J
25	Relais	420.331 A
26	Clamp	400.137
27	Hexagon socket screw M 5x16	P...486 I
28	Cyl. Head screw M 4x20	P...478 L
29	Spring washer M 4	P...498 A
30	Hexagon nut M 4	P...491 Q
31	Brush support complete including: items 32-39	420.450
32	Brush support	420.456
33	Spring washer Ø 14,6x18x0,15	P...498 X
34	Supporting lever	420.461
35	Washer M 6	P...496 L
36	Stopp-nut M 6	P...492 K
37	Washer M 5	P...497 E
38	Special screw M 5x12	400.475
39	Screw m 6x45	P...480 J
40	Brush complete (0,35) including: items 41-43	420.470
41	Standard brush (0,35)	420.471
42	Ball bearing Ø 12/32x10	P...316 D
43	Centrepin 8x38 mm	400.478
44	Resistor 8.2 kOhm	421.321
45	Resistor 5.6 kOhm	421.320
46	Hexagon socket screw M 8x10	P...487 A
47	Clamp	421.118

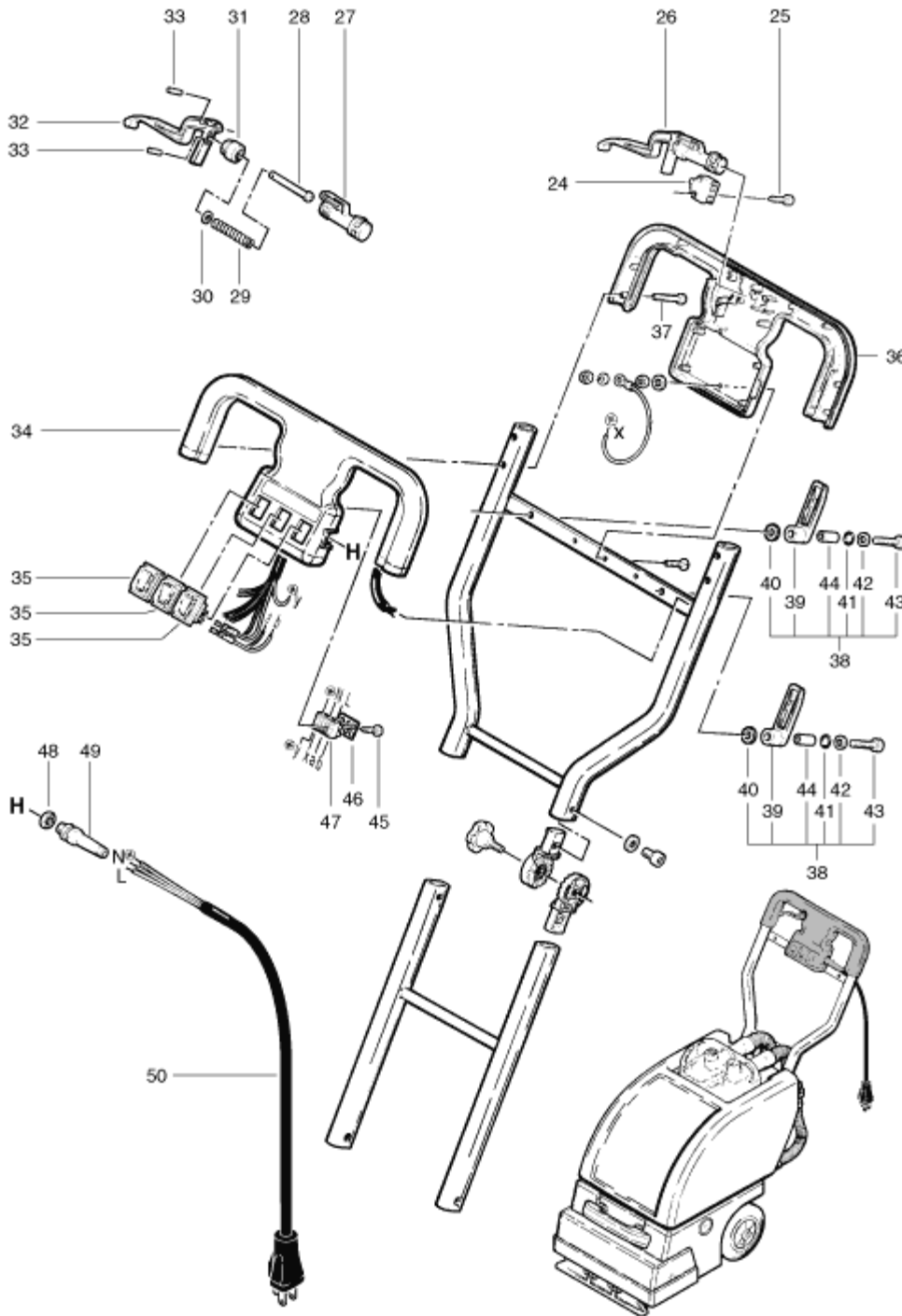


# CM-13 LOWER PUSHBAR



Pos.	Description	Reference
01	Hexagon nut M 4	P...491 Q
	Spring ring M 4	P...498 A
03	Screw M 4x20	P...481 E
	Upper pushbar	420.650
05	Rubber clamp	P...207 A
	Wiring to handle	420.305 A
07	Washer M 6	P...496 L
	Hexagon socket screw M 6x12	P...486 Q
09	Lower joint	420.602
	Upper joint	420.601
11	Screw knob	P...253
	Lower pushbar	420.651
13	Distance piece Ø 22/6,3x22,5	420.370
	Stop-nut M 6	P...493 K
15	Washer M 8	P...496 Q
	Adjustment lever	420.356
17	Metal supporting piece	420.999
	Lever support (right)	420.351 A
19	Screw M 6x12	P...487 U
	Spring ring M 6	P...498 U
21	Hexagon screw M 6x35	P...486 S
	Lever support (left)	420.351

# CM-13 HANDLE



Pos.	Description	Reference
24	Switch	P...242
25	PT screw KA 30x20 mm	P...482 P
26	Lever complete including Items 27-33	400.620
27	Valve body	400.622
28	Valve pin	P...681 D
29	Valve spring	P...681 E
30	Washer M 5	P...497 G
31	Cap nut	P...681 B
32	Lever	400.621
33	Cyl. Pin Ø 1,5x14,5 mm	P...681 K
34	Upper handle housing	400.611
35	Tumbler switch	P...240
36	Lower handle housing	420.618
37	PT screw KA 30x30 mm	P...516B
38	Catch for cable complete including Items 39-44	P...087
39	Catch for cable	P...087 A
40	Washer Ø 6/16x1 mm	P...497 M
41	O-Ring 8,73x1,78 mm	P...088
42	Washer M 6	P...496 K
43	Hexagon socket screw M 6x30 mm	P...488 S
44	Distance piece Ø 6/8x18,8 mm	P...087 B
45	PT screw 3x20 mm	P...516 E
46	Marking plate	P...394
47	Terminal 3 poles	P...383 A
48	Counter nut PG 9	P...279 H
49	Cable attachment	P...279 D
50	Harness USA	P...275 A