



IPC Integrated Professional Cleaning

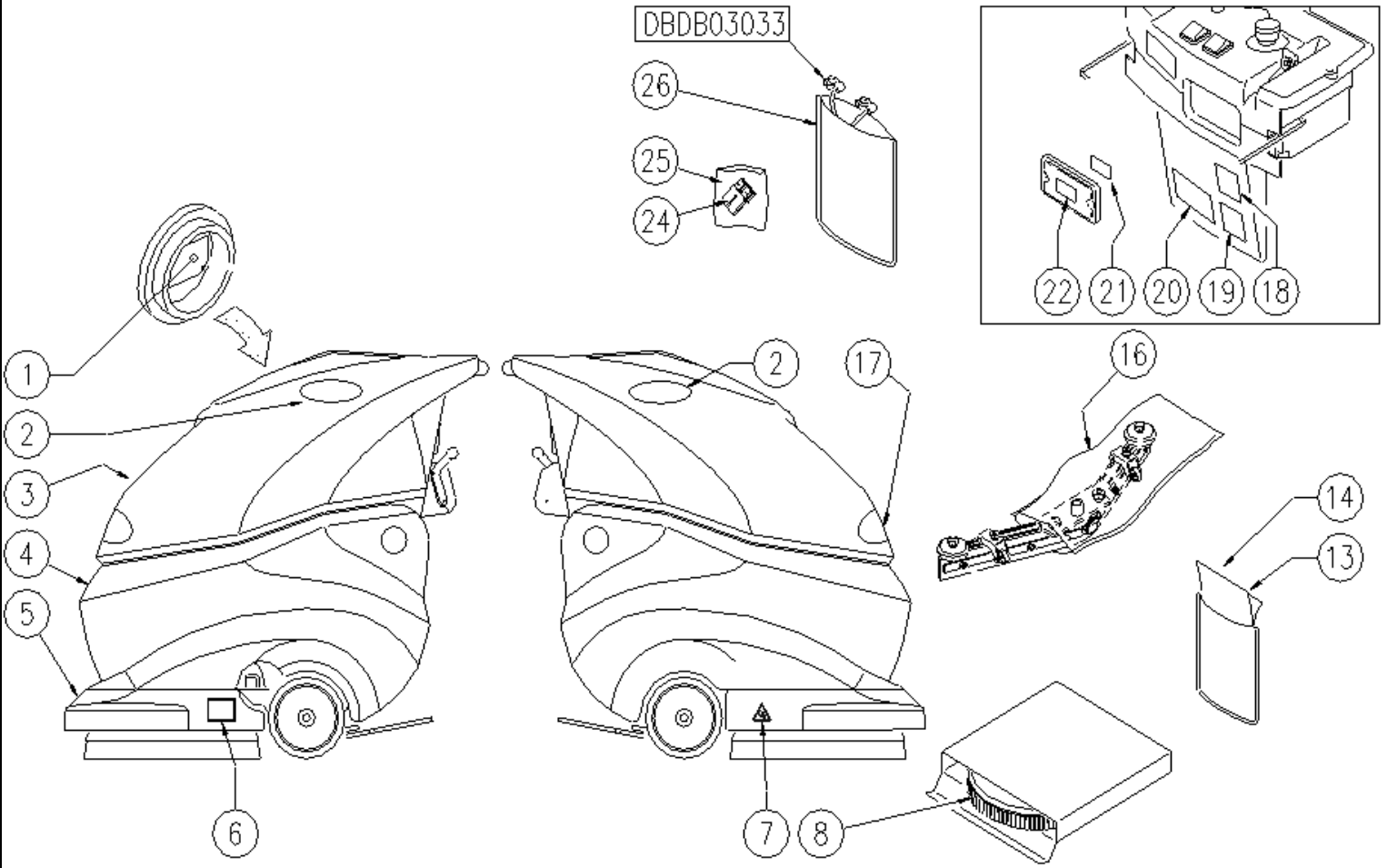
IPCGansow

Spare Parts List

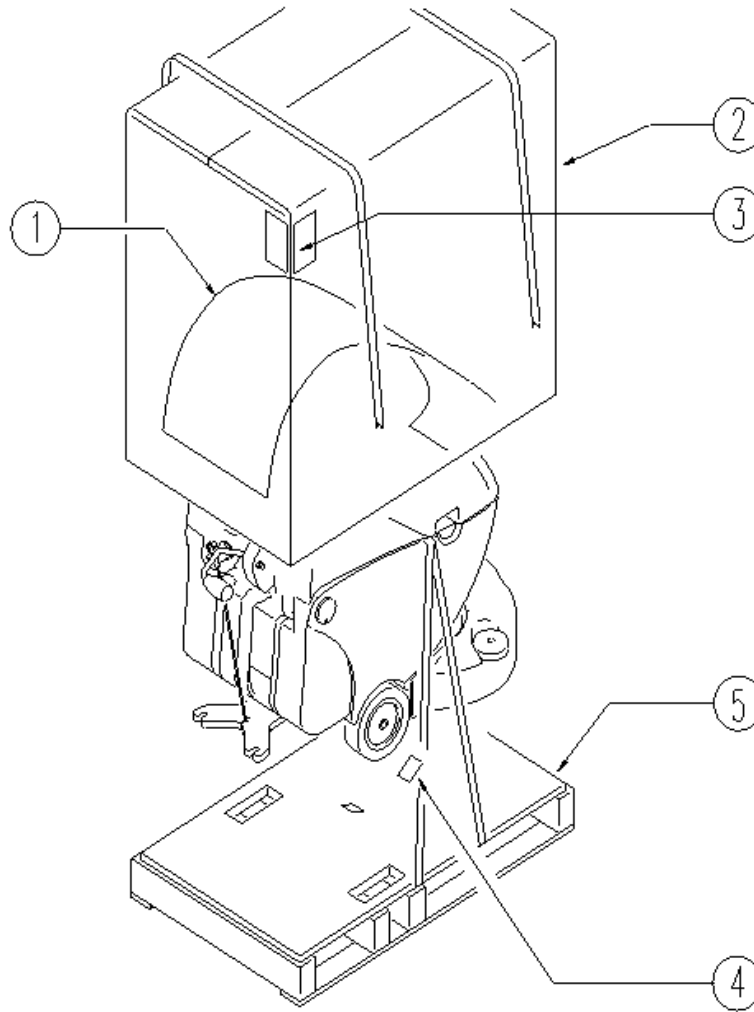
IPC . EAGLE

Ref: LPTB02010

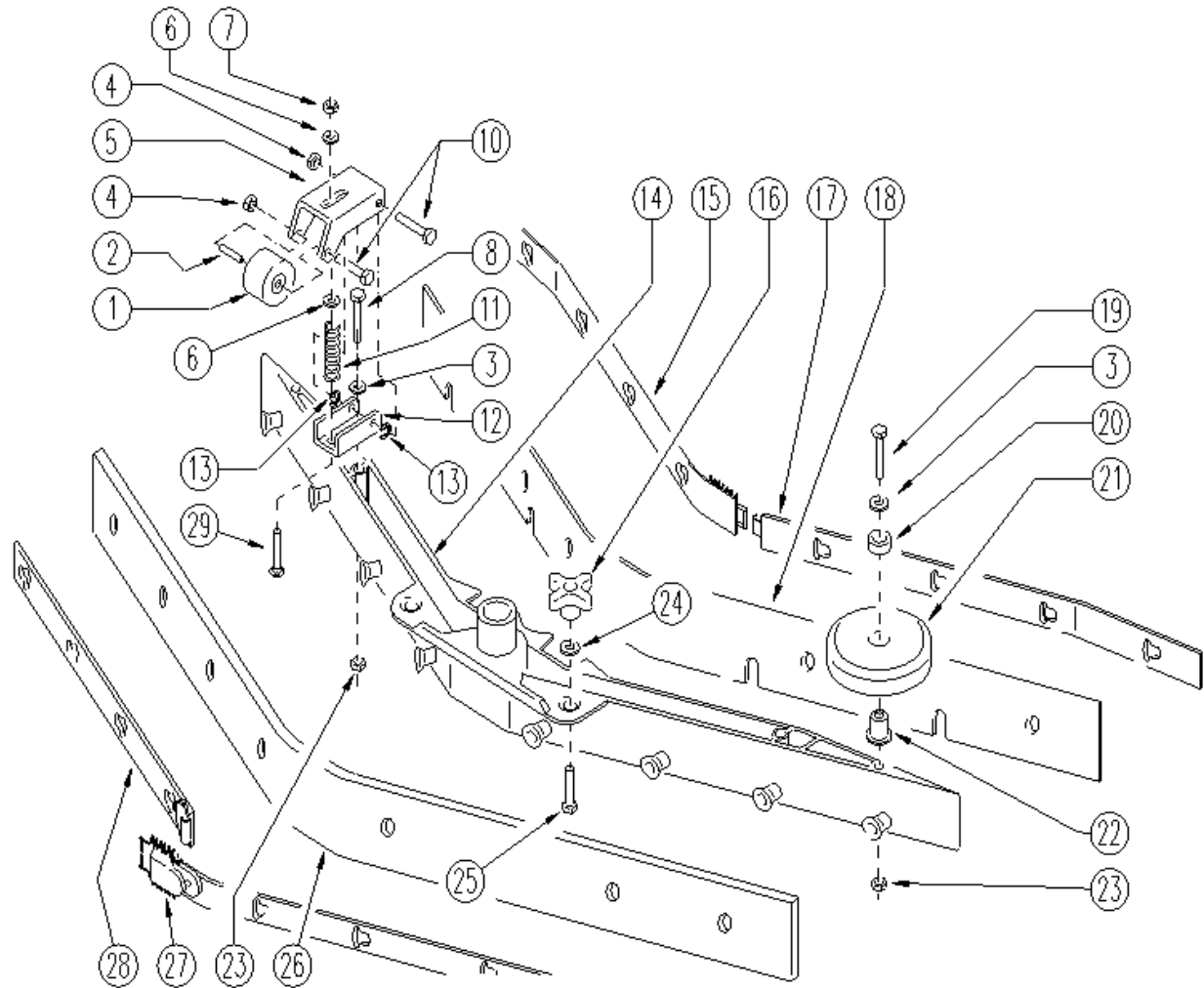
Model: CLEAN TIME 60 B 50 24V



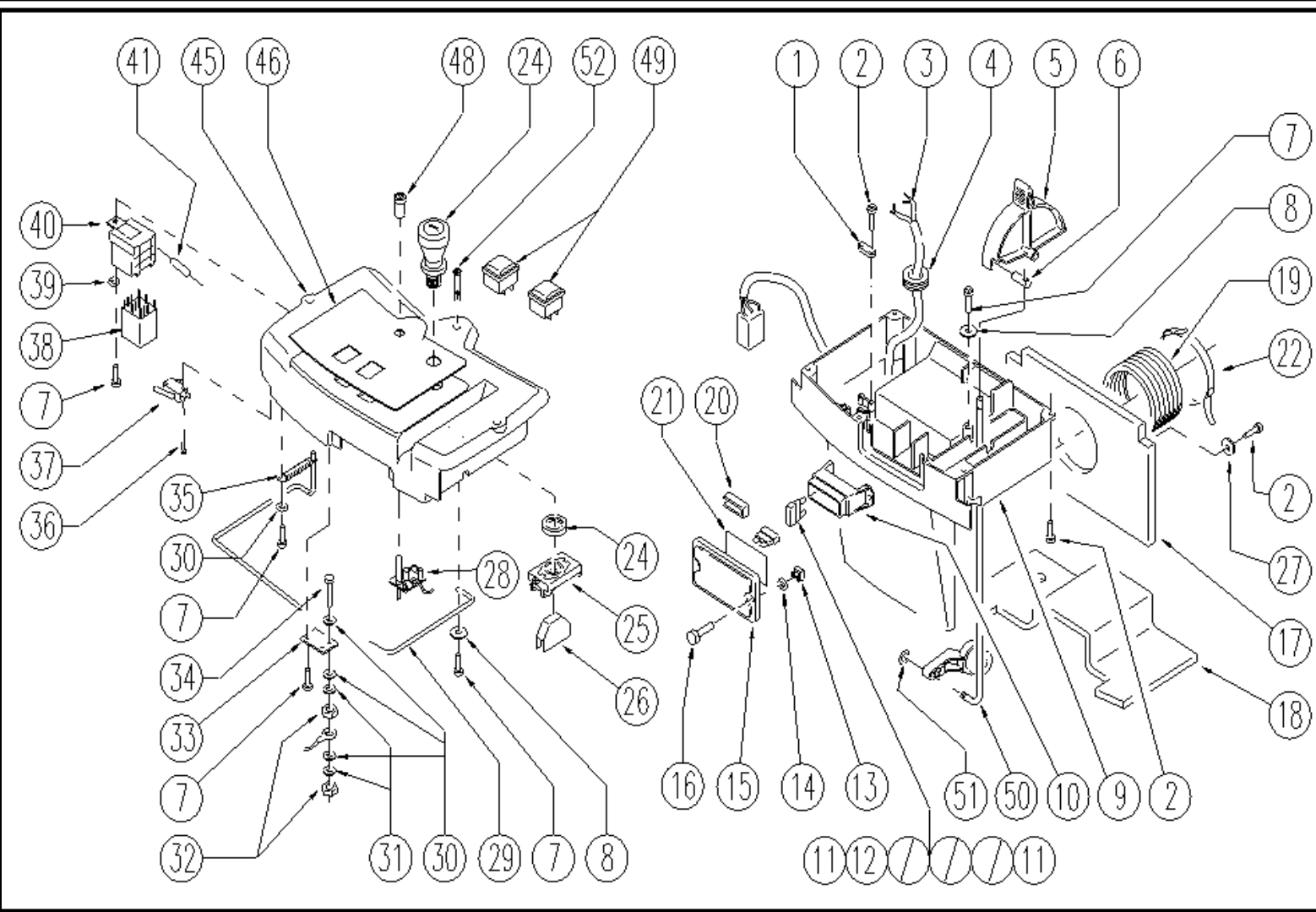
Ref.	K	Part N.	Customer Part N.	Description	Qty	Validity:		Price
						From	To	
0001		ETET00554		ADHESIVE AVVERTENZE	1,00			--
0002		ETET01369		LABEL LATERALE	2,00	10/2003		--
0003		MPVR04074		TANK RECUPERO	1,00	11/2003		--
0004		MPVR04070		TANK	1,00	11/2003		--
0005		MPVR04076		BRUSH PROTECT.	1,00	10/2002		--
0006		ETET01209		LABEL DIREZIONE	1,00	10/2002		--
0007		ETET01014		ADHESIVE ATTENZ.ABRAS.ARTI	1,00	10/2002		--
0008		SPPV43963		BRUSH NYL 0.8 500	1,00	12/2003		--
0013		PLDC01406		MANUAL	1,00	05/2003		--
0014		PLDC01382		SPARE PARTS SK 50-55 MECC.5 LINEA 3	1,00	10/2002		--
0016		MIVR00048		TUBE UNIBOL	1,00	10/2002		--
0017		ETET02000		LABEL LOGO IPC	1,00	02/2004		--
0018		ETET00550		ADHESIVE PENDENZA	1,00	10/2002		--
0019		ETET00730		LABEL BATTERIE SCOLLEGATE	1,00	10/2002		--
0020		ETET00463		ADHESIVE SCARICO ACQUA	1,00	10/2002		--
0021		ETET01293		LABEL FUSIBILI	1,00			--
0022		ETET00763		LABEL SIMBOLO FUSIBILI	1,00	10/2002		--
0024		MEVR01079		CONNECTOR CARICABATT.ROSSO	1,00	10/2002		--
0025		MIVR00072		ENVELOPE PLASTICA TRASP.	1,00			--
0026		MIVR00064		ENVELOPE PORTA CABLAGGI	1,00	10/2002		--



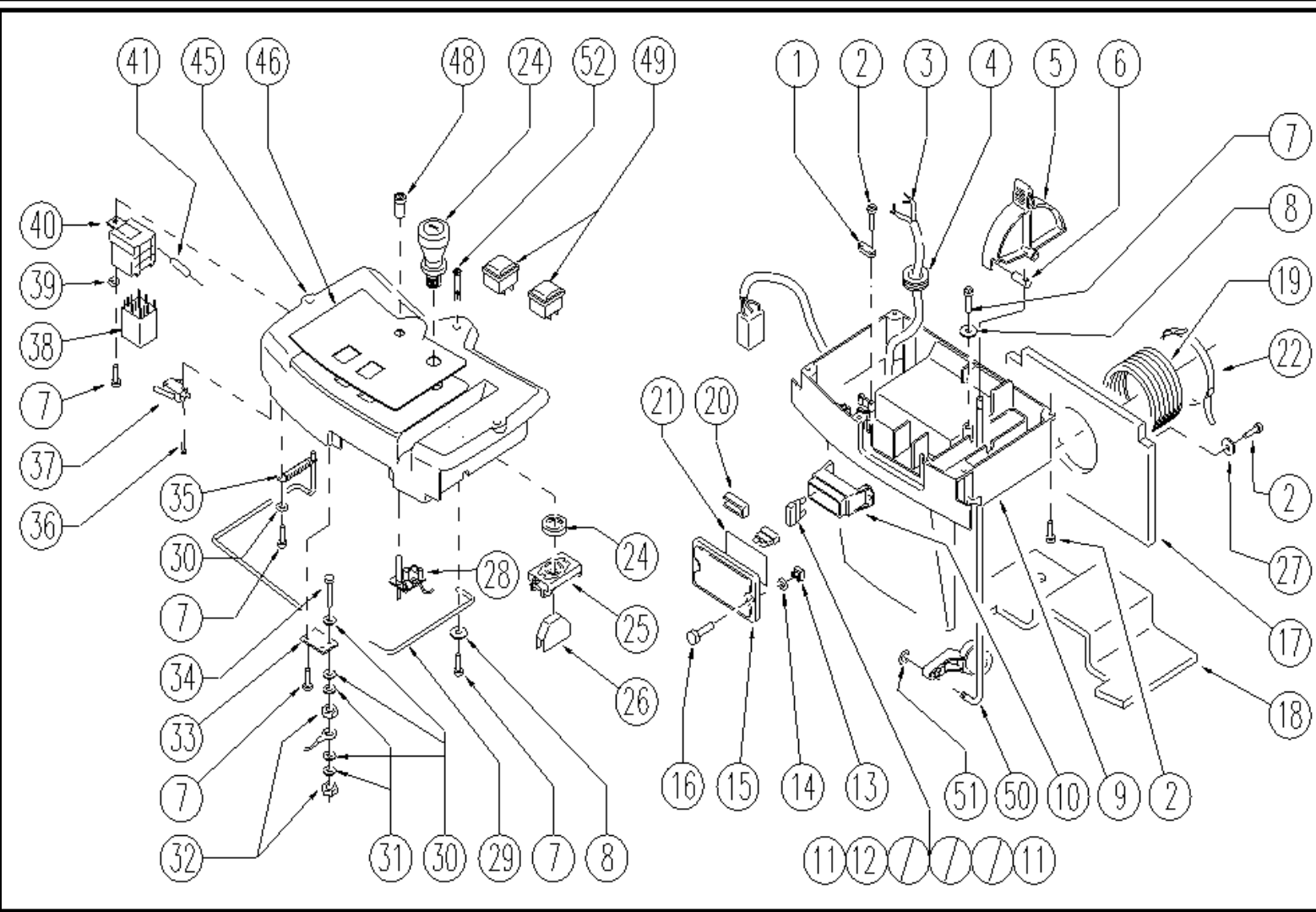
Ref. K	Part N.	Customer Part N.	Description	Qty	Validity:		Price
					From	To	
0001	MISC00006		SACK 1690X1400 POLIET.70MY	1,00	10/2002		--
0002	MICT00145		CARTON IMBALLO NEUTRO	1,00	10/2002		--
0003	ETET00959		LABEL IMBALLAGGIO	2,00			--
0004	MICT00118		CARTON PER RUOTE 450/530	4,00	10/2002		--
0005	MIBA00074		PALLET	1,00	10/2002		--



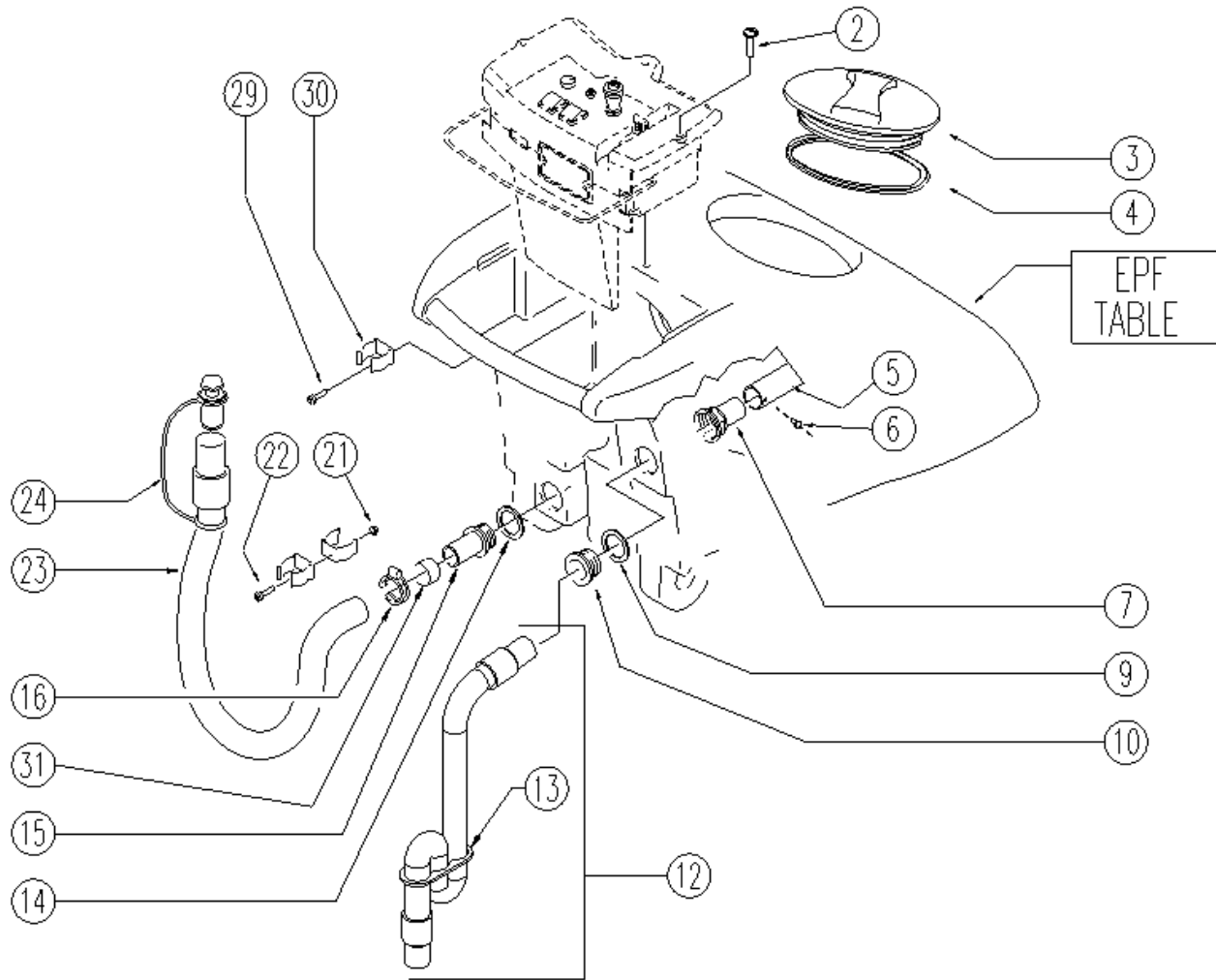
Ref. K	Part N.	Customer Part N.	Description	Qty	Validity:		Price
					From	To	
0001	RTRT49413		WHEEL D. 60-D.15 X36 NYL.	2,00	03/2004		--
0002	LAFN04041		SPACER D6/15	2,00	03/2004		--
0003	VTRS00245		WASHER D.6 UNI 6592 INOX	12,00	03/2004	05/2006	--
0003	VTRS15144		WASHER D. 6 INX GRW UNI 1751	4,00	05/2006		--
0004	VTDD01694		NUT M 6 INX	6,00	03/2004		--
0005	LAFN05559		SUPPORT RUOTINO	2,00	03/2004		--
0006	VTRS13947		WASHER D. 8 INX UNI 6592	4,00	03/2004		--
0007	VTDD01695		NUT M 8 INX	2,00	03/2004		--
0008	VTVT15142		SCREW TE M 6x45 INOX	2,00	03/2004		--
0009	VTRS15144		WASHER D. 6 INX GRW UNI 1751	4,00	03/2004	05/2006	--
0010	VTVT15143		SCREW TE 6X16 UNI5739	4,00	03/2004	05/2006	--
0010	VTVT15515		SCREW TE M 6X 50 INOX A2	4,00	05/2006		--
0011	MLML49422		SPRING D.15X 45 X1	2,00			--
0012	LAFN51069		BRACKET SUPP.RUOTINO SQUEEGEE	2,00			--
0013	VTAE45707		CIRCLIP D. 6 UNI 7434 INOX	4,00			--
0014	MFVR00141		BODY SQUEEGEE PRESSOFUSO	1,00	03/2004		--
0015	LAFN51045		LAMINATION BLOCCA LAMA ANTER.SX S	1,00	03/2004		--
0016	MPVR04164		HANDWHEEL M8 FILETTO PASSANTE	2,00	03/2004		--
0017	LAFN51044		LAMINATION BLOCCA LAMA ANTER.DX S	1,00	03/2004		--
0018	MPVR45194		RUBBER BLADE LAV. 800 ANT.	1,00	03/2004		--
0019	VTVT00655		SCREW TE M. 6-55	2,00			--
0020	MPVR49229		BUSHING SHK	2,00	03/2004		--
0021	RTRT43370		CASTER D.100 2V.	2,00	03/2004		--
0022	LAFN04100		SPACER PER RUOTINO PARACOLPI	2,00	03/2004		--
0023	VTDD15520		NUT M 6 A2 UNI 5588 INX	4,00	03/2004		--
0024	VTAE00074		CIRCLIP D8	2,00	03/2004		--
0025	VTVT01050		SCREW TE M 8X30 INX UNI 5737	2,00	06/2004		--
0026	MPVR45195		RUBBER BLADE LAV. 800 PST.POL.	1,00	03/2004		--
0027	LAFN49284		BLADE HOLDER POSTERIORE DX (S)	1,00	03/2004		--
0028	LAFN49285		BLADE HOLDER POSTERIORE SX (S)	1,00	03/2004		--
0029	VTVT01304		SCREW M 8X 40 TTQST UNI 5731	2,00	05/2006		--



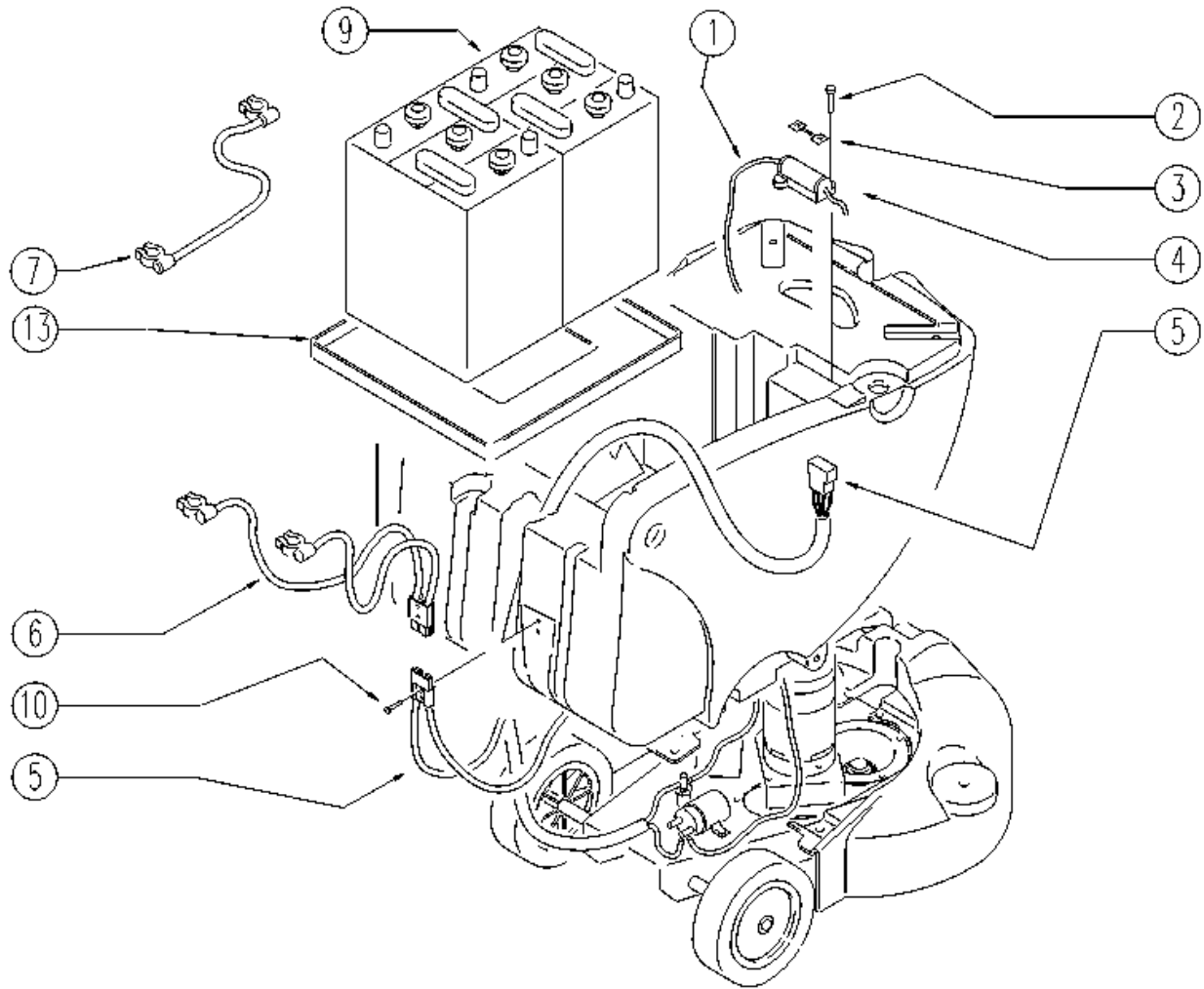
Ref. K	Part N.	Customer Part N.	Description	Qty	Validity: From	To	Price
0001	LAFN05201		CABLE CLAMPING BLOCCACAVO	1,00	09/2004		--
0002	VTVT28553		SCREW TCB-TC 3.5X16	8,00	09/2004		--
0003	MECB00732		WIRING PANNELLO	1,00			--
0004	MEVR01331		FAIR-LEAD PVC	1,00	09/2004		--
0005	MPVR03845		LEVER REGOLAZ.	1,00	09/2004		--
0006	LAFN05103		ARTICULATION SUPERIORE	1,00	09/2004		--
0007	VTVT07859		SCREW TCB-TC 3.5X13 UNI6954	6,00	09/2004		--
0008	VTRS13750		WASHER D. 5X14 INX	2,00	09/2004		--
0009	MPVR03844		PANEL COMANDI	1,00			--
0010	MEVR01386		FUSE CARRIER LAMA 6 POSTI	1,00			--
0011	MEVR01136		FUSE 30A	3,00	09/2004		--
0012	MEVR01380		FUSE A LAMA	2,00	09/2004		--
0013	VTDD00167		NUT M.6	2,00	09/2004		--
0014	GUGO00150		NUT	2,00	09/2004		--
0015	MPVR35628		COVER LAV.	1,00	09/2004		--
0016	VTVT00858		SCREW	2,00	09/2004		--
0017	ITSO00031		SOUND-PROOFING PARETE POST. PANN.COM.SK	1,00	09/2004		--
0018	ITSO00032		SOUND-PROOFING PARETE INFER.PANN.COM.SK	1,00	09/2004		--
0019	TBBP00225		TUBE D 80-320 MM	1,00			--
0020	MEVR01153		FUSE FUSIBILI	1,00	09/2004		--
0021	ETET01352		LABEL FUSIBILI	1,00	09/2004		--
0022	FSVR00083		CLAMP 62-82	1,00			--
0024	MECI38446		BUTTON D.22 NC	1,00			--
0025	MEVR48426		TERMINAL BOARD P.FG.	1,00	09/2004		--
0026	MECI48425		CONTACT 1NC	2,00	09/2004		--
0027	VTRS00291		WASHER D. 5 X20 ZC UNI 6593	2,00	09/2004		--
0028	MECE30652		PCB LAV.FL.	1,00	09/2004		--
0029	LAFN05089		LEVER CONSENSO SPAZZOLE/TRAZ.	1,00	09/2004		--
0030	VTRS00516		WASHER D. 5 INX	5,00	09/2004		--
0031	VTRS15908		WASHER D. 5 INX GRW UNI 1751	2,00	09/2004		--
0032	VTDD07727		NUT M 5 INOX	2,00	09/2004		--
0033	MPVR02820		SUPPORT PIASTRINA BLOCCO LEVA	1,00	09/2004		--
0034	VTVT00766		SCREW TE M. 5-25	1,00	09/2004		--
0035	MLML00215		SPRING LEVA CONSENSO SPAZZOLE	1,00	09/2004		--
0036	VTVT00744		SCREW	2,00	09/2004		--
0037	MECI00310		MICROSWITCH	1,00	09/2004		--
0038	MERL45196		SWITCH RELAY F7 IN/O 12V 70A	1,00	09/2004		--
0039	VTRS00501		WASHER D. 4 0.232 UNI 6592	1,00	09/2004		--
0040	METT00053		BLOCK PORTA RELE'	1,00	09/2004		--



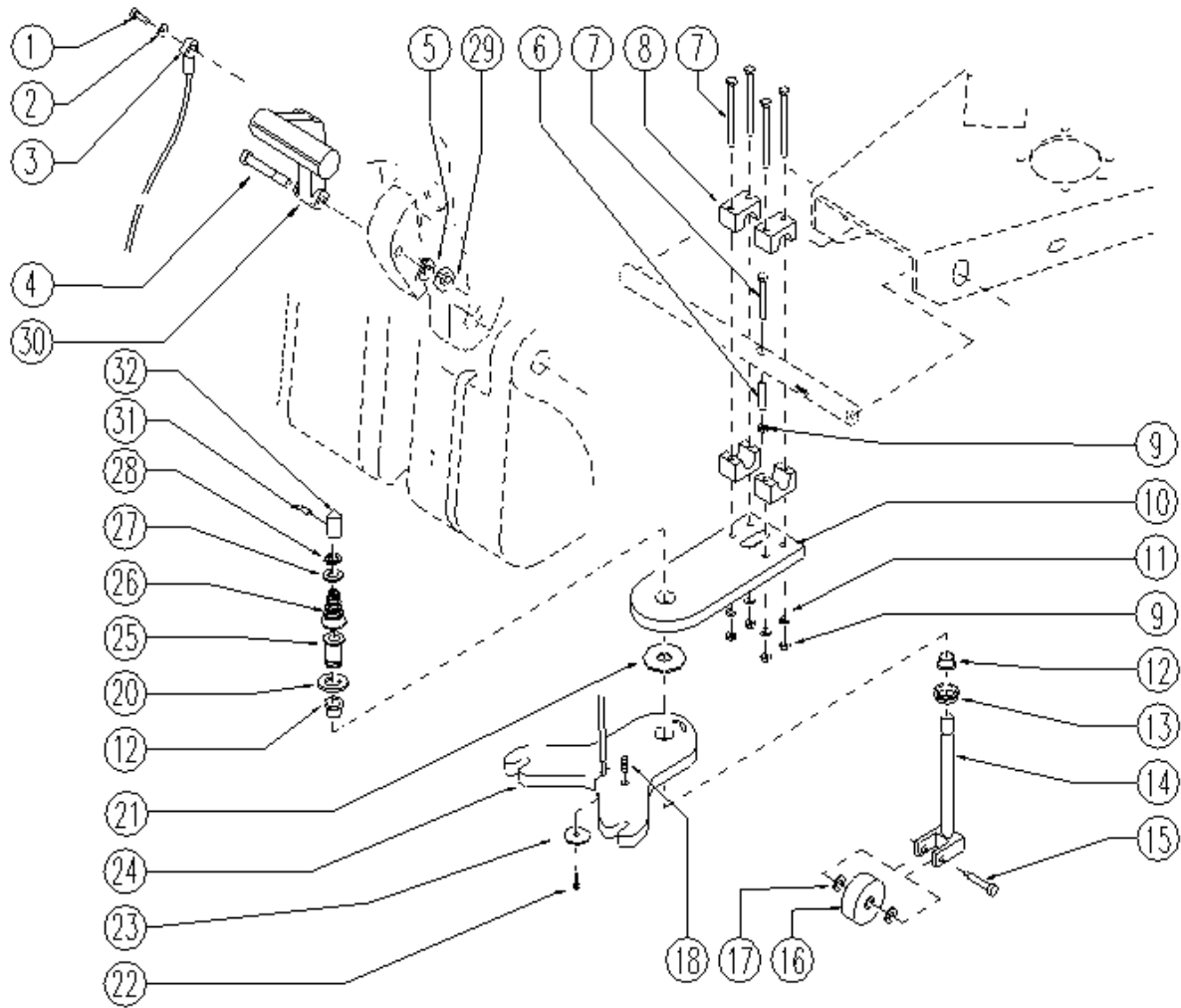
Ref. K	Part N.	Customer Part N.	Description	Qty	Validity:		Price
					From	To	
0041	MECE00341		RESISTANCE 68R	1,00	09/2004		--
0045	MPVR03840		PANEL COMANDI	1,00	09/2004		--
0046	ETET01314		LABEL PANNELLO COMANDI	1,00	09/2004		--
0048	MELF00013		OIL WARN-LIGHT x SPIA SCARICA BATTERIE	1,00	09/2004		--
0049	MECI30651		SWITCH GIALLO 36V	2,00	09/2004		--
0050	LAFN05758		ROD SUPERIORE RUBINETTO	1,00			--
0051	VTAE00058		CIRCLIP RADIALE ALBERI D5 INOX	1,00			--
0052	MPVR02940		KLIP D. 6,5 L=15	1,00			--



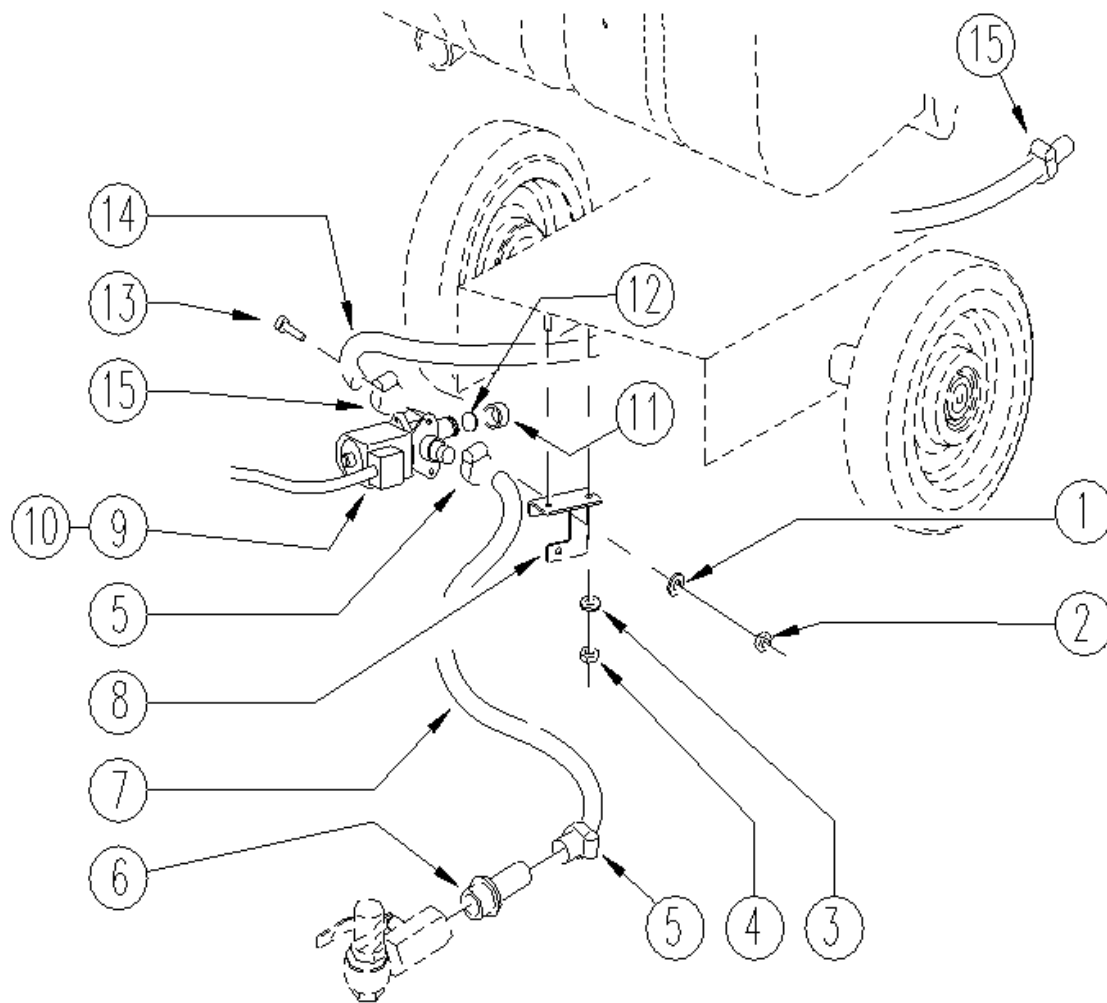
Ref. K	Part N.	Customer Part N.	Description	Qty	Validity:		Price
					From	To	
0002	VTVT00858		SCREW	2,00			--
0003	MPVR04051		TANK CAP	1,00			--
0004	GUGO00263		GASKET CIRCOLARE TAPPO	1,00			--
0005	MPVR02873		TUBE INT.SERBAT.RECUP.	1,00			--
0006	VTVT00881		SCREW TC+ M4x6 TRILOBATA INOX	1,00			--
0007	RCVR00504		CONNECTOR DRITTO FEMM.	1,00			--
0009	GUGO00216		GASKET ACQUA SPORCA	1,00			--
0010	RCVR00508		PIPE UNION DI SCARICO	1,00			--
0012	PMVR01043		TUBE ASPIRAZIONE	1,00			--
0013	MPVR02730		PLATE SIFONE	1,00			--
0014	GUGO00226		GASKET 1"1/4	1,00			--
0015	RCVR00505		CONNECTOR DRITTO	1,00			--
0016	FSVR43136		CLAMP D. 35-40 DF.	1,00			--
0021	VTDD00147		NUT M 4 INX U.5588	2,00			--
0022	VTVT21096		SCREW TE M 4X 10 INX	2,00			--
0023	TBFX49465		TUBE FLEX D.34 CPL.SHK SC.	1,00			--
0024	MPVR05064		CAP COMPLETO	1,00			--
0029	VTVT48694		SCREW TCB TC 5 X12 UNI 9707 TZ	2,00			--
0030	MPVR46988		CLIP LAV. SHK	3,00			--
0031	MPVR02765		PROTECTION INNESTO FISSAGGIO	1,00			--



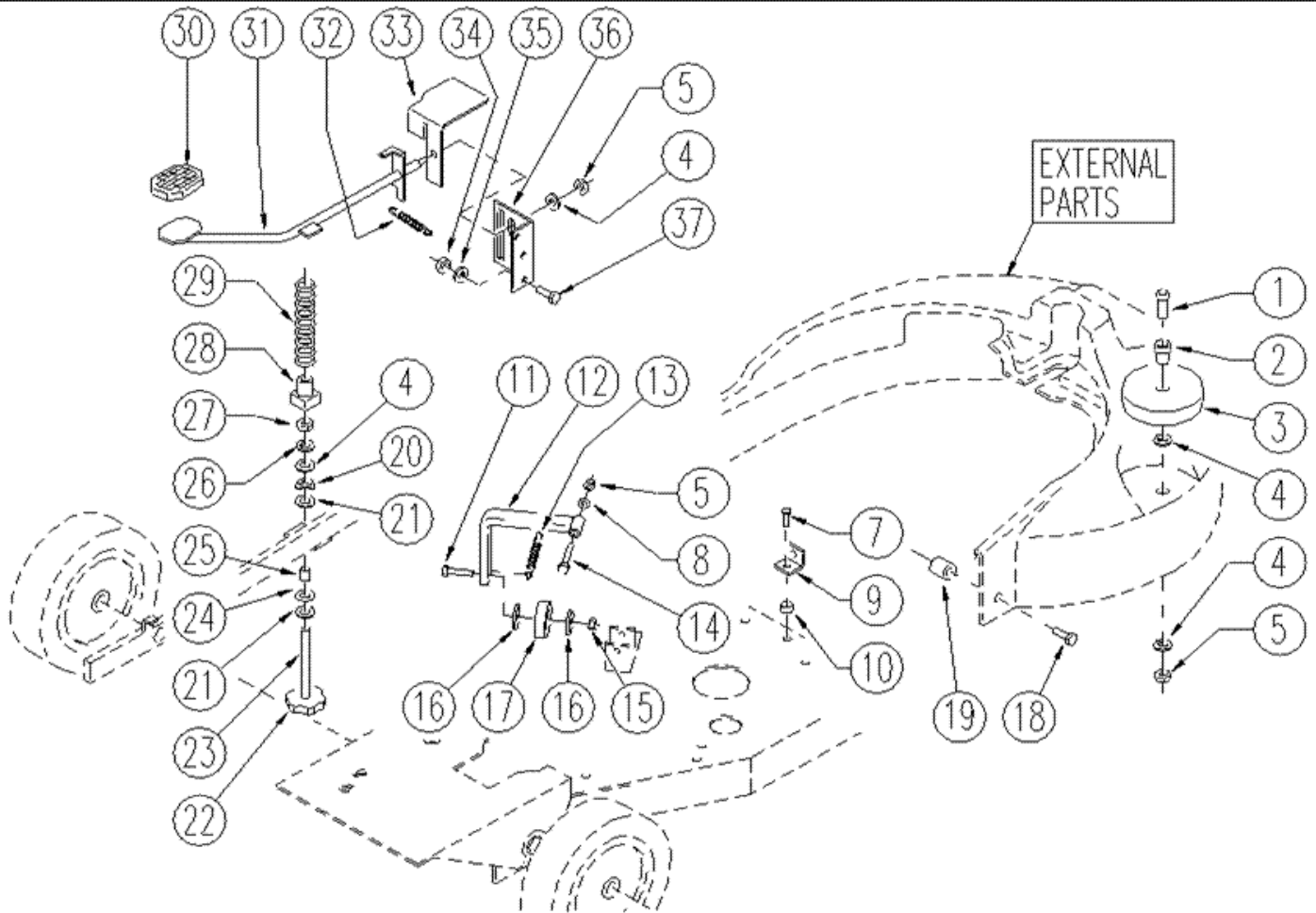
Ref. K	Part N.	Customer Part N.	Description	Qty	Validity:		Price
					From	To	
0001	MECB00728		WIRING FUSIBILE	1,00	10/2002		--
0002	VTVT00800		SCREW TC 4X12 ZN	2,00	10/2002		--
0003	MEVR42990		FUSE 60A NST.	1,00	10/2002		--
0004	MEVR01332		FUSE-HOLDER	1,00	10/2002		--
0005	MECB00727		WIRING PRINCIPALE	1,00	10/2002		--
0006	MECB00726		WIRING BATTERIE	1,00	10/2002		--
0007	MEVR34820		WIRING B 450 BT	1,00	10/2002		--
0009	BAAC00070		BATTERY TUBOL.12V 118	2,00			--
0010	VTVT00633		SCREW	2,00	10/2002		--
0013	PMVR00881		PLATE	1,00	10/2002		--



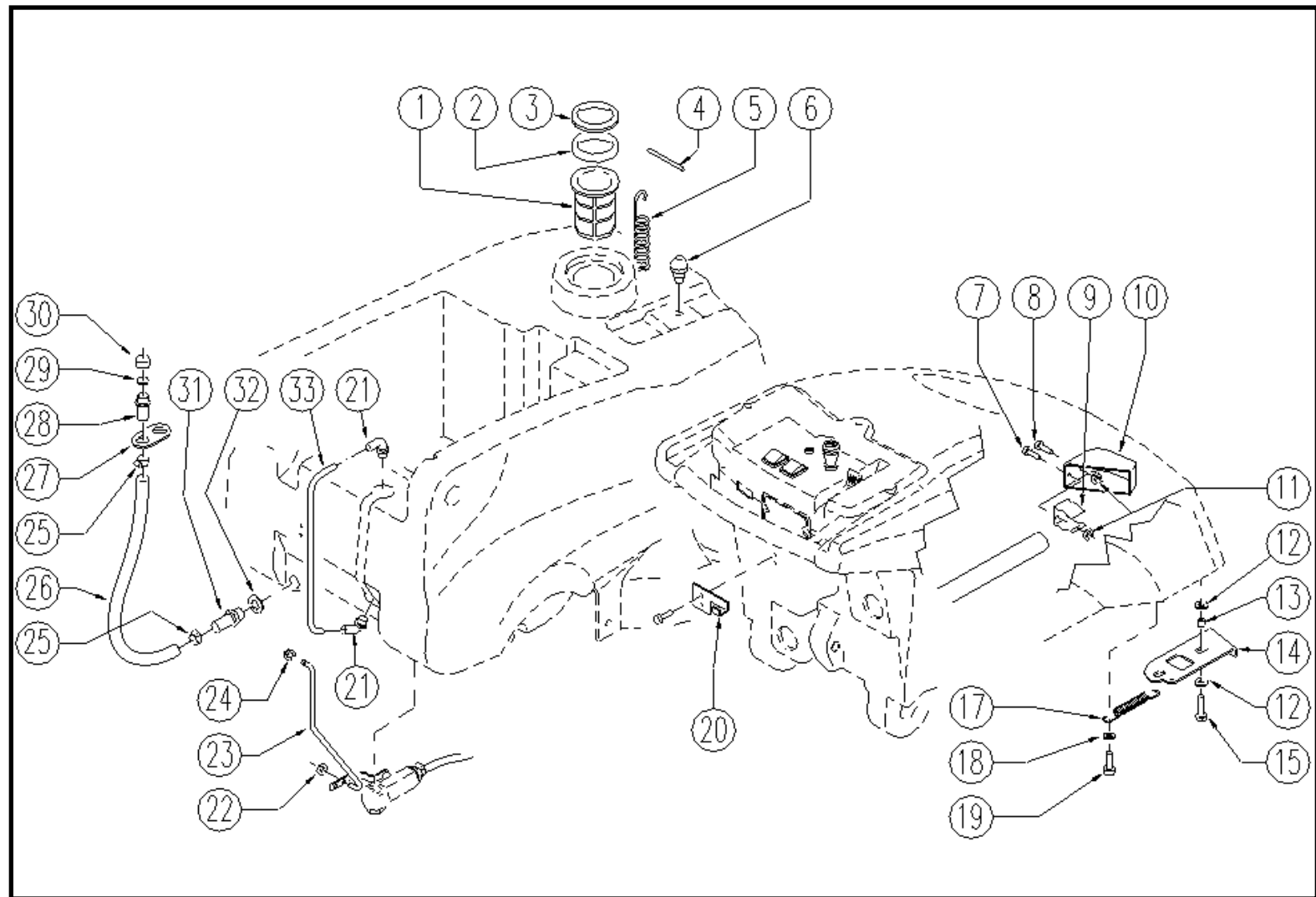
Ref. K	Part N.	Customer Part N.	Description	Qty	Validity:		Price
					From	To	
0001	VTVT00800		SCREW TC 4X12 ZN	1,00	10/2002	--	--
0002	VTRS00251		WASHER 4-16 INOX A2	1,00	10/2002	--	--
0003	CMCV00307		CABLE SOLLEVAMENTO SQUEEGEE	1,00	04/2004	--	--
0004	VTVT00882		SCREW TCEI BASSA M10x80 8.8 ZN	1,00	10/2002	--	--
0005	VTRS00236		WASHER D.10 UNI 6592 ZINC. PIANA	1,00	10/2002	--	--
0006	LAFN31096		WHEEL SPACER FL	1,00	10/2002	--	--
0007	VTVT00859		SCREW TCEI M. 6-55 INOX	5,00	10/2002	--	--
0008	MPVR02903		HOSE COLLAR DI= 20.8 ART.C4	4,00	10/2002	--	--
0009	VTDD00157		NUT M. 6 DIN 985 ZN	5,00	10/2002	--	--
0010	LAFN05557		SUPPORT SQUEEGEE	1,00	10/2002	--	--
0011	VTRS00231		WASHER D. 6 UNI 6592 PIANA ZINC.	4,00	10/2002	--	--
0012	CUVR44348		BUSHING CB 85 2010 31T	2,00	10/2002	--	--
0013	LAFN06820		RING NUT M20X1 ABL	1,00	07/2004	--	--
0014	LAFN05702		SUPPORT RUOTINO ANTIRIBALTAMENTO	1,00	10/2002	--	--
0015	LAFN04165		PIN RUOTINO ANTIRIB. INOX	1,00	04/2003	--	--
0016	RTRT00283		SMALL WHEEL GR.HS	1,00	10/2002	--	--
0017	VTRS13946		WASHER D. 8 X24 INX UNI 6593	2,00	10/2002	--	--
0018	VTVT01200		GRUB SCREW M8 X 16 INOX	1,00	04/2004	--	--
0020	VTRS00019		WASHER UNI 6592 FORO 20 INOX	1,00	03/2004	--	--
0021	VTRS00308		WASHER NYLON 21x50xSP3 MM	1,00	05/2004	--	--
0022	VTVT00813		SCREW M 4X 8 TCB-TC UNI 8112	1,00	10/2002	--	--
0023	VTRS00291		WASHER D. 5 X20 ZC UNI 6593	1,00	10/2002	--	--
0024	LAFN05544		PLATE SQUEEGEE	1,00	10/2002	--	--
0025	LAFN44530		PIN SHK SQ.	1,00	10/2002	--	--
0026	MLML44531		SPRING D.16 -33 X50 RT.	1,00	10/2002	--	--
0027	VTRS00312		WASHER D.13 x24 INOX	1,00	10/2002	--	--
0028	VTAE00051		CIRCLIP X ALBERO D. 12 U7435 INX	1,00	10/2002	--	--
0029	VTDD00042		NUT AUT.M10 UNI7474	1,00	10/2002	--	--
0030	MPVR49942		LEVER SHK PP	1,00	10/2002	--	--
0031	VTVT00906		GRUB SCREW M 4-4	1,00	04/2004	--	--
0032	LAFN04069		EXTENSION	1,00	04/2004	--	--



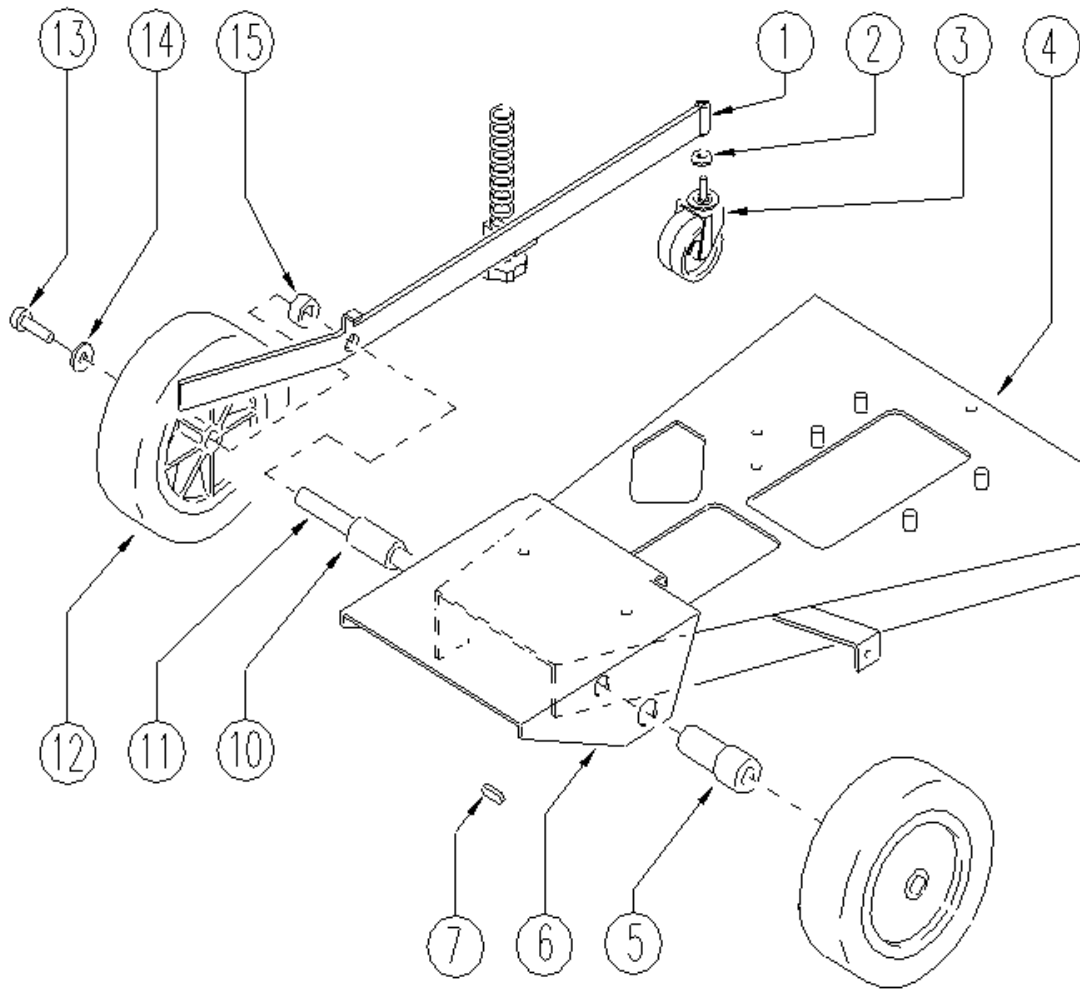
Ref. K	Part N.	Customer Part N.	Description	Qty	Validity:		Price
					From	To	
0001	VTRS00515		WASHER D. 4 INX	2,00	12/2002		--
0002	VTDD15925		NUT M 4 INX	2,00			--
0003	VTRS00516		WASHER D. 5 INX	2,00	12/2002		--
0004	VTDD01693		NUT M 5 INX	2,00	12/2002		--
0005	FSVR00096		CLAMP 10-16 INOX	2,00	03/2003		--
0006	RCVR00536		CONNECTOR PORTAG.	1,00			--
0007	TBFX49101		TUBE FLEX D.34 CPL.SHK	1,00			--
0008	LAFN05658		BRACKET SUPPORTO ELETTRORVALVOLA	1,00	12/2002		--
0009	MEEV00018		SOLENOID VALVE	1,00	12/2002		--
0010	MECB00887		WIRING KIT ELETTRORVALVOLA 24V	1,00			--
0011	RCVR00353		CAP 1/2"G X ELETTRORV. ACL	1,00	03/2003		--
0012	GUGO00268		GASKET D.21 SP.3 GOMMA	1,00	03/2003		--
0013	VTVT00817		SCREW TE M4x12 UNI 5739 INOX	2,00			--
0014	TBBP00344		TUBE D12/18 L=670	1,00			--
0015	FSVR00091		CLAMP 14-24	2,00			--



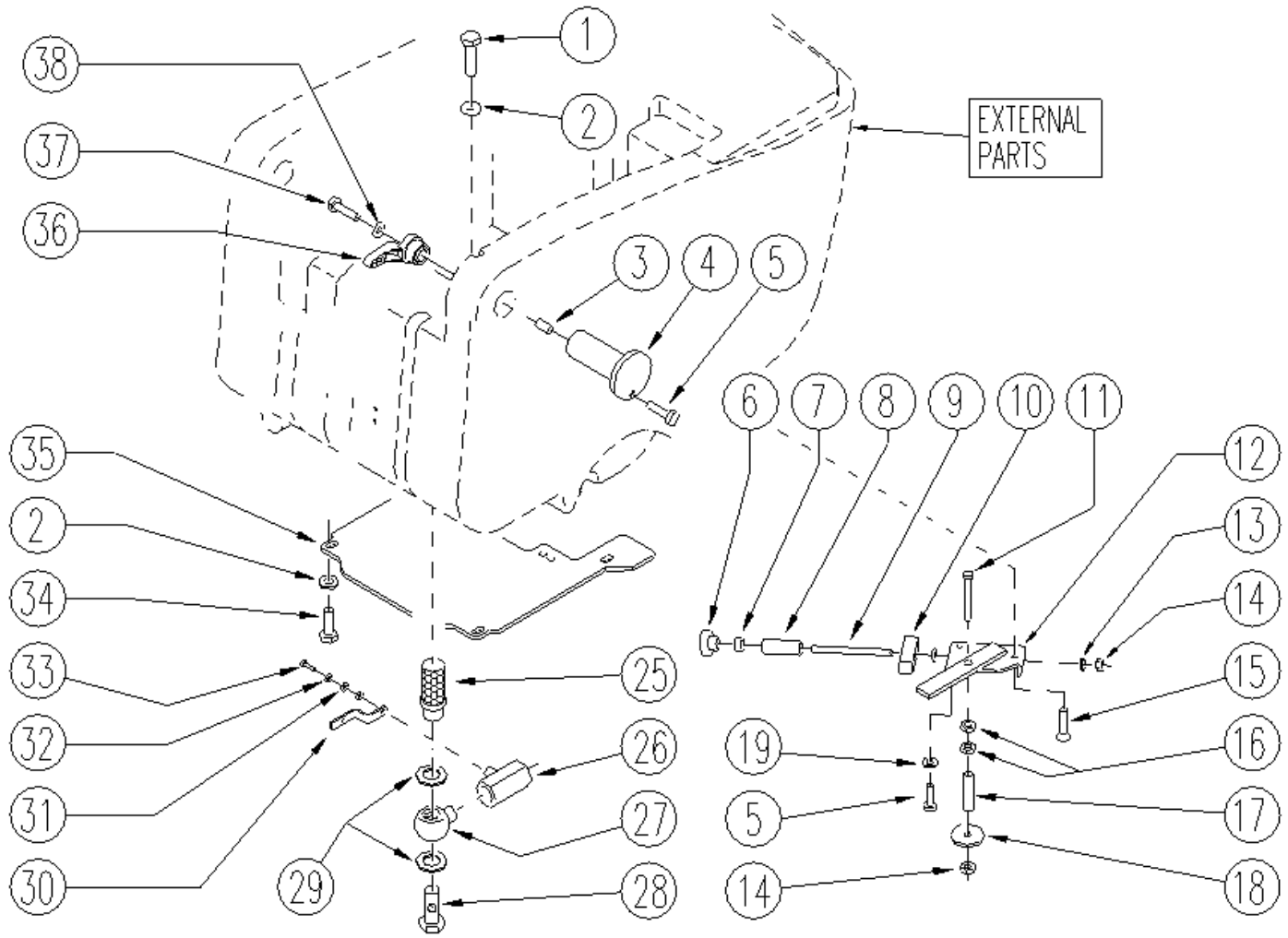
Ref.	K	Part N.	Customer Part N.	Description	Qty	Validity: From	To	Price
0001		VTVT00775		SCREW TCEI M 8X40 ZC.BK UNI5931	1,00	10/2002	--	--
0002		LAFN03915		BUSHING NUOVO RUOTINO STRONG	1,00	10/2002	--	--
0003		RTRT43370		CASTER D.100 2V.	1,00	10/2002	--	--
0004		VTRS13946		WASHER D. 8 X24 INX UNI 6593	4,00	10/2002	--	--
0005		VTDD01695		NUT M 8 INX	3,00	10/2002	--	--
0007		VTVT63035		SCREW TCEI M8X25 BRUNITA	1,00	03/2004	--	--
0008		VTRS13947		WASHER D. 8 INX UNI 6592	1,00	10/2002	--	--
0009		LAFN05185		SMALL SQUARE FISSAGGIO MOLLA TESTATA	1,00	10/2002	--	--
0010		RCDS34717		BUSHING D. 9X12X 8.3	1,00		--	--
0011		VTVT00836		SCREW TE M12-60 INOX	1,00	10/2002	--	--
0012		LAFN05620		LEVER ARM RUOTINO ALTO	1,00	10/2002	--	--
0013		MLML00152		SPRING F.1.5-D.16-L.50 TRA	1,00	10/2002	--	--
0014		VTVT15917		SCREW TE M 8X50 INOX A2 UNI	1,00	02/2003	--	--
0015		VTDD00131		NUT M.12 AUT. DIN 982 ZINC	1,00	10/2002	--	--
0016		VTRS00273		WASHER D.13-24-2,5 Z. NERA	2,00	10/2002	--	--
0017		RTRT49171		CASTER D. 80-12	1,00	10/2002	--	--
0018		VTVT00890		SCREW TC+ M.4-40	2,00		--	--
0019		LAFN35608		SPACER S. BLOCK BT 530	2,00		--	--
0020		VTRS88000		WASHER ELAST.ONDUL.DI 13	1,00	12/2003	--	--
0021		VTRS00232		WASHER D.12 UNI 6592 ZINC.	2,00	12/2003	--	--
0022		LAGR00017		WASHER ZIGRINATA M.8	1,00	03/2004	--	--
0023		VTVR00297		BAR FILETTATA M.8	1,00	03/2004	--	--
0024		VTRS00255		WASHER D. 12-18-0,5	1,00	03/2004	--	--
0025		RCDS31040		BUSHING D. 8X 12X13	1,00	12/2003	--	--
0026		VTRS01080		WASHER D. 8 GRW	1,00	12/2003	--	--
0027		VTDD15521		NUT M 8 INX A2 UNI 5588	1,00	12/2003	--	--
0028		LAFN04193		BUSHING MOLLA	1,00	12/2003	--	--
0029		MLML00249		SPRING A COMPRESS. RIF.D13250	1,00	12/2003	--	--
0030		MPVR04139		RUBBER PEDALINO	1,00	10/2002	--	--
0031		LAFN05688		ROD COMANDO RUOTINO	1,00	10/2002	--	--
0032		MLML00201		SPRING TRAZ.PER GIUNTO	1,00	10/2002	--	--
0033		LAFN05530		LEVER SOLLEVAMENTO	1,00	10/2002	--	--
0034		VTDD00157		NUT M. 6 DIN 985 ZN	2,00		--	--
0035		VTRS00245		WASHER D.6 UNI 6592 INOX	2,00	10/2002	--	--
0036		LAFN05689		BRACKET GUIDA	1,00	02/2004	--	--
0037		VTVT15143		SCREW TE 6X16 UNI5739	2,00		--	--



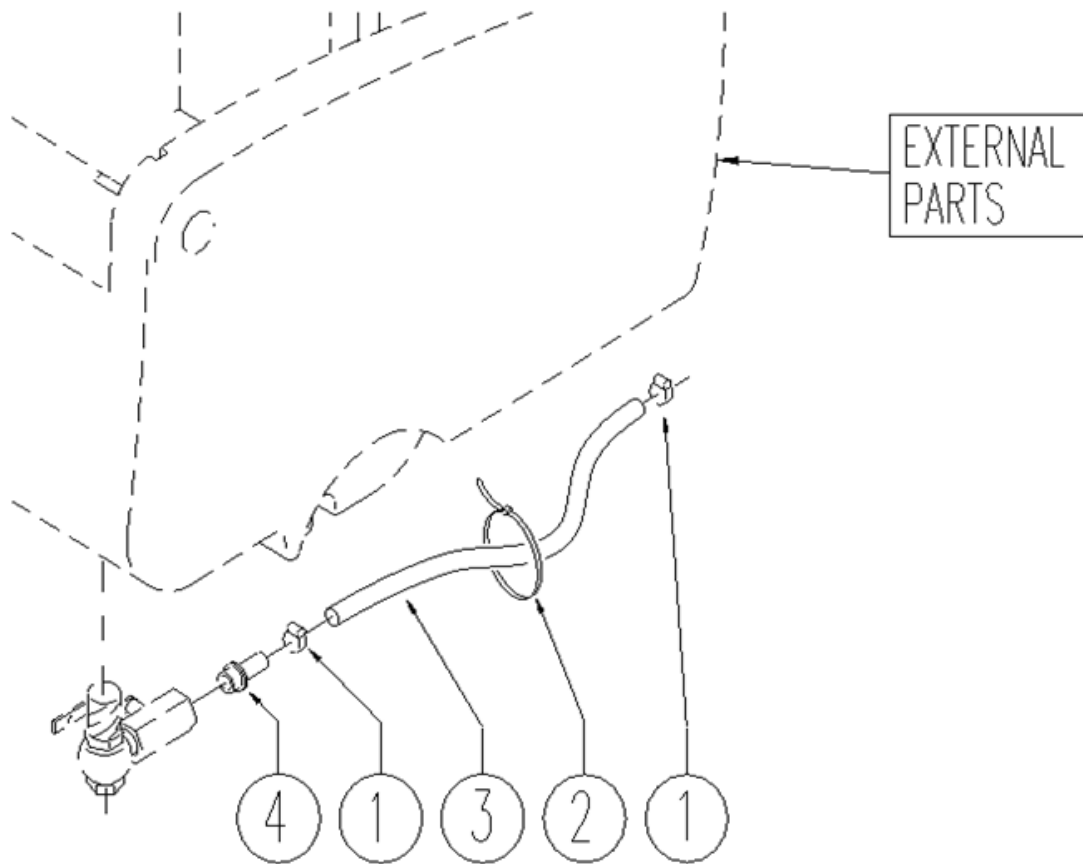
Ref. K	Part N.	Customer Part N.	Description	Qty	Validity:		Price
					From	To	
0001	FTAC48857		FILTER ASP. ACQUA SERB. LAVAP.	1,00	10/2002		--
0002	GUVR48858		GASKET SRB.SHK	1,00	10/2002		--
0003	GUVR48859		GASKET SHK	1,00	10/2002		--
0004	LAFN04114		SPRING SUPPORT LINEA 3	1,00	10/2002		--
0005	MLML00234		SPRING TESTATA LINEA 3	1,00	10/2002		--
0006	LAFN04044		PIN APERTURA SERBATOIO	1,00	10/2002		--
0007	VTVT00817		SCREW TE M4x12 UNI 5739 INOX	1,00	02/2004		--
0008	VTVT00727		SCREW TE M. 4-20	1,00	04/2004		--
0009	MPVR46988		CLIP LAV. SHK	1,00	02/2004		--
0010	MPVR51057		BAFFLE ASPIRAZIONE	1,00			--
0011	VTDD15925		NUT M 4 INX	2,00	02/2004		--
0012	VTRS13946		WASHER D. 8 X24 INX UNI 6593	4,00	10/2002		--
0013	LAFN03940		BUSHING 8/12-5,25	2,00	10/2002		--
0014	LAFN05744		HANDLE SERBATOI	1,00	10/2002		--
0015	VTVT15916		SCREW TE M 8X 16 UNI 5739 A2	2,00	10/2002		--
0017	MLML34726		SPRING TR E350 N	1,00	10/2002		--
0018	VTRS21116		WASHER D. 3 INX	1,00	10/2002		--
0019	VTVT21096		SCREW TE M 4X 10 INX	1,00			--
0020	LAFN05846		HOOKING TUBO SCARICO	1,00	03/2004		--
0021	RCVR00538		CONNECTOR A GOMITO	2,00	10/2002		--
0022	VTDD15518		NUT M 6 INX	1,00	10/2002		--
0023	LAFN05760		ROD INFERIORE RUBINETTO	1,00	02/2003		--
0024	VTAE00058		CIRCLIP RADIALE ALBERI D5 INOX	1,00	10/2002		--
0025	FSVR00091		CLAMP 14-24	2,00	03/2004		--
0026	TBBP00180		TUBE D 15-500 MM	1,00			--
0027	MPVR02836		HOOKING TUBO	1,00	03/2004		--
0028	RCVR00514		CONNECTOR 1/2 M RESCA 15	1,00	03/2004		--
0029	GUGO00268		GASKET D.21 SP.3 GOMMA	1,00	03/2004		--
0030	RCVR00353		CAP 1/2"G X ELETTROV. ACL	1,00	03/2004		--
0031	RCVR00359		UNION/CONNECTOR1/2 X 17 MOD.	1,00	03/2004		--
0032	GUVR00213		WASHER GOMMA	1,00			--
0033	TBBP00365		TUBE LIVELLO	1,00			--



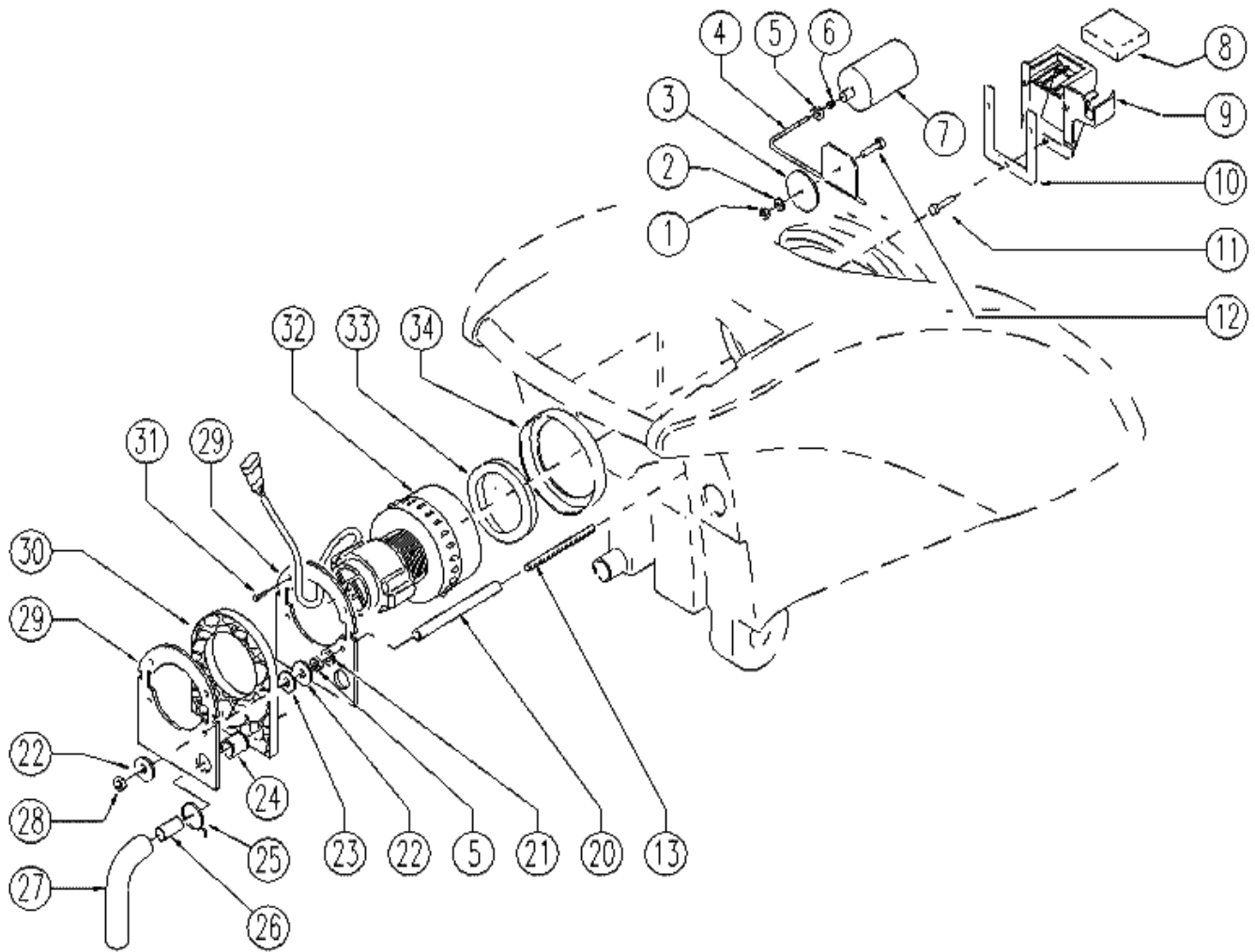
Ref. K	Part N.	Customer Part N.	Description	Qty	Validity:		Price
					From	To	
0001	LAFN05922		LEVER RUOTINO	1,00	11/2003		--
0002	VTRS00232		WASHER D.12 UNI 6592 ZINC.	1,00	10/2002		--
0003	RTRT00306		WHEEL D175 D2 060 M12x30	1,00	03/2004		--
0004	LAFN05918		BASE 5 (SENZA TRAZIONE)	1,00	11/2003		--
0005	MPVR02892		BUSHING RUOTA DX ALLUNGATA	1,00	10/2002		--
0006	LAFN05188		SUPPORT BRACKET SERBATOIO ++SL39098	1,00	10/2002		--
0007	VTVR26559		KEY 5X5X15	1,00	10/2002		--
0010	MPVR02880		BUSHING PLASTICA	1,00	10/2002		--
0011	LAFN04095		SHAFT ASSE RUOTE ALLUNGATO	1,00	10/2002		--
0012	RTRT47147		WHEEL D.200 A.TRC.	2,00	10/2002		--
0013	VTVT00666		SCREW TBEI M. 8-10 INOX	2,00	10/2002		--
0014	VTRS13946		WASHER D. 8 X24 INX UNI 6593	2,00	10/2002		--
0015	LAFN04096		SPACER ALLUNGATO	1,00	10/2002		--



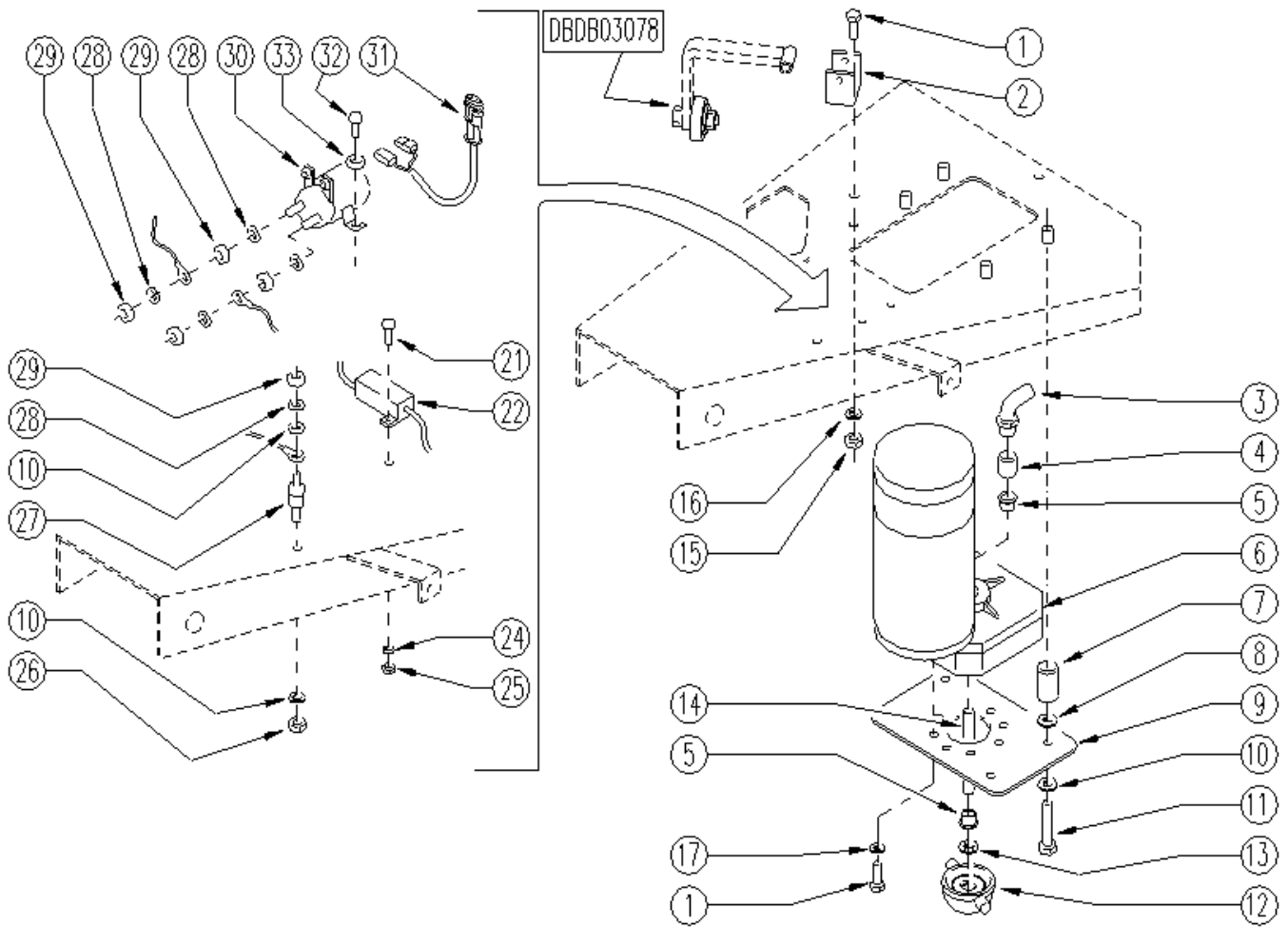
Ref.	K	Part N.	Customer Part N.	Description	Qty	Validity:		Price
						From	To	
0001		VTVT13938		SCREW TE 8X20 UNI5739 INX	2,00	07/2004		--
0002		VTRS01080		WASHER D. 8 GRW	6,00	10/2002		--
0003		VTVR48693		INSERT M6 D.9	1,00	10/2002		--
0004		MPVR48695		PIN SHK.BK	2,00	10/2002		--
0005		VTVT48694		SCREW TCB TC 5 X12 UNI 9707 TZ	5,00	10/2002		--
0006		VTVR35378		HANDWHEEL F 8MAX20 D.40	1,00	10/2002		--
0007		VTDD15521		NUT M 8 INX A2 UNI 5588	1,00	10/2002		--
0008		LAFN04021		SPACER 12-8,5 L=70	1,00	10/2002		--
0009		VTVR00204		BAR FILETTATA M.8 L=247MM	1,00	10/2002		--
0010		LAFN51090		BLOCK GRUPPO REGOLAZIONE TRAZ.	1,00	07/2004		--
0011		VTVT37014		SCREW TE M 6X 90 UNI 5739	1,00	10/2002		--
0012		LAFN05743		SUPPORT GRUPPO REGOLAZIONE	1,00	10/2002		--
0013		VTRS00245		WASHER D.6 UNI 6592 INOX	2,00	10/2002		--
0014		VTDD15518		NUT M 6 INX	2,00	10/2002		--
0015		VTVT00853		SCREW TSPC+ 4-16 X PLAST.	1,00	10/2002		--
0016		VTDD15520		NUT M 6 A2 UNI 5588 INX	2,00			--
0017		LAFN04068		SPACER (OTTONE)	1,00	10/2002		--
0018		VTRS00278		WASHER D.8X32 ZINC.BIANCA 6593	1,00			--
0019		VTRS13750		WASHER D. 5X14 INX	2,00	10/2002		--
0025		FTAC00036		FILTER IN RETE	1,00	10/2002		--
0026		RCGR00065		TAP F/F 1/2"	1,00	10/2002		--
0027		RCDS49622		CONNECTOR OCC 1/2 - 1/2M	1,00	10/2002		--
0028		RCDS49623		SCREW G 1/2 L=41.5	1,00	10/2002		--
0029		GUVR00213		WASHER GOMMA	2,00	10/2002		--
0030		LAFN47895		LEVER SHK-4	1,00	10/2002		--
0031		VTRS13947		WASHER D. 8 INX UNI 6592	2,00	10/2002		--
0032		VTRS00251		WASHER 4-16 INOX A2	1,00	10/2002		--
0033		VTVT00834		SCREW TC+ M.3-6	1,00	10/2002		--
0034		VTVT15916		SCREW TE M 8X 16 UNI 5739 A2	4,00	07/2004		--
0035		LAFN51087		BRACKET RETROFIT SK 50-55	1,00	07/2004		--
0036		MPVR49471		LEVER SHK	1,00	10/2002		--
0037		VTVT15143		SCREW TE 6X16 UNI5739	1,00	10/2002		--
0038		VTRS00239		WASHER D.6-18	3,00	10/2002		--



Ref. K	Part N.	Customer Part N.	Description	Qty	Validity:		Price
					From	To	
0001	FSVR00096		CLAMP 10-16 INOX	2,00	03/2004		--
0002	FSVR00097		CLAMP PLASTICA M	1,00	03/2004		--
0003	TBBP00354		TUBE ARMORVIN	1,00			--
0004	RCVR00536		CONNECTOR PORTAG.	1,00	03/2004		--



Ref. K	Part N.	Customer Part N.	Description	Qty	Validity:		Price
					From	To	
0001	VTDD01693		NUT M 5 INX	1,00	04/2004	--	--
0002	VTRS13750		WASHER D. 5X14 INX	1,00	04/2004	--	--
0003	MPVR02702		CAP ASPIRAZIONE	1,00	04/2004	--	--
0004	LAFN05118		ROD GALLEGGIANTE	1,00	04/2004	--	--
0005	VTDD15520		NUT M 6 A2 UNI 5588 INX	3,00	04/2004	--	--
0006	VTVR00212		INSERT	1,00	04/2004	--	--
0007	RCGR00064		FLOATER	1,00	04/2004	--	--
0008	FTAC47474		FILTER SHK	1,00	04/2004	--	--
0009	MPVR03846		SUPPORT GALLEGGIANTE	1,00	04/2004	--	--
0010	GUGO00221		GASKET SUPPORTO GALLEGGIANTE	1,00	04/2004	--	--
0011	VTVT00835		SCREW	3,00	04/2004	--	--
0012	VTVT00805		SCREW TBEI M. 5-10	1,00	04/2004	--	--
0013	VTVT00785		ROD FILETTO	2,00	04/2004	--	--
0020	LAFN51078		SPACER SH	2,00	04/2004	--	--
0021	VTRS13945		WASHER D. 6X18 INX UNI 6593	2,00	04/2004	--	--
0022	VTRS16937		WASHER 6x24 INOX UNI 6593	4,00	04/2004	--	--
0023	MPVR35582		RUBBER LAV.	2,00	04/2004	--	--
0024	MPVR31077		BUSHING L.450	1,00	04/2004	--	--
0025	FSVR00086		CLAMP	1,00	04/2004	--	--
0026	TBFX00217		TUBE	1,00	04/2004	--	--
0027	ITSO00036		SOUND-PROOFING SCARICO ASP.SHARK/PANTHER	1,00	04/2004	--	--
0028	VTDD15518		NUT M 6 INX	2,00	04/2004	--	--
0029	LAFN51076		FLANGE INSONORIZZ.ASPIRATORE	2,00	04/2004	--	--
0030	ITSO00035		SOUND-PROOFING SHARK/PANTHER	1,00	04/2004	--	--
0031	VTVT00892		SCREW	4,00	04/2004	--	--
0032	MOCC00253		MOTOR ASPIR.BIST.24V	1,00	04/2004	--	--
0033	GUVR48858		GASKET SRB.SHK	1,00	04/2004	--	--
0034	GUGO30649		GASKET LAV.DW.	1,00	04/2004	--	--



Ref. K	Part N.	Customer Part N.	Description	Qty	Validity:		Price
					From	To	
0001	VTVT15906		SCREW TE 6X 12 A2 UNI 5739	10,00			--
0002	LAFN05622		SUPPORT BRACCETTO RUOTINO RIALZ.	1,00			--
0003	RCVR45752		HOSE FITTING "L" 3/8M - D.10 PLS.	1,00			--
0004	LAFN51028		BUSHING	1,00			--
0005	CUVR43254		BUSHING CB 85 1010 18T	2,00			--
0006	MOCC00256		MOTOR.GEARBOX MRP6 1/10	1,00			--
0007	LAFN04191		SPACER	4,00			--
0008	VTRS01080		WASHER D. 8 GRW	4,00			--
0009	LAFN05920		FLANGE RIDUTTORE	1,00			--
0010	VTRS13947		WASHER D. 8 INX UNI 6592	6,00			--
0011	VTVT00728		SCREW TE M. 8-55	4,00			--
0012	MFVR00134		DRIVE DISK SPAZZOLE	1,00			--
0013	MPVR02997		CLIP ANELLO X PERNO D10	4,00			--
0014	LAFN04202		TUBE SOLUZIONE INOX D10	1,00			--
0015	VTDD01694		NUT M 6 INX	2,00			--
0017	VTRS15144		WASHER D. 6 INX GRW UNI 1751	8,00			--
0020	VTDD15517		NUT M 5 INX	2,00			--
0021	VTVT00722		SCREW	2,00			--
0022	MECE00391		RESISTANCE CORAZZATA	1,00			--
0024	VTRS00268		WASHER D.3	2,00			--
0025	VTDD21115		NUT M 3 INOX	2,00			--
0026	VTDD01695		NUT M 8 INX	1,00			--
0027	MEVR01116		SUPPORT FUSIBILE 120 A	1,00			--
0028	VTRS00229		WASHER D.8	1,00			--
0029	VTDD10776		NUT M 8 X1 UNI 5588	1,00			--
0030	METT00056		CONTACTOR T-106	1,00			--
0032	VTVT21887		SCREW TCB-TC 4X10 8112	2,00			--
0033	VTRS00515		WASHER D. 4 INX	2,00			--