



IPC Integrated Professional Cleaning

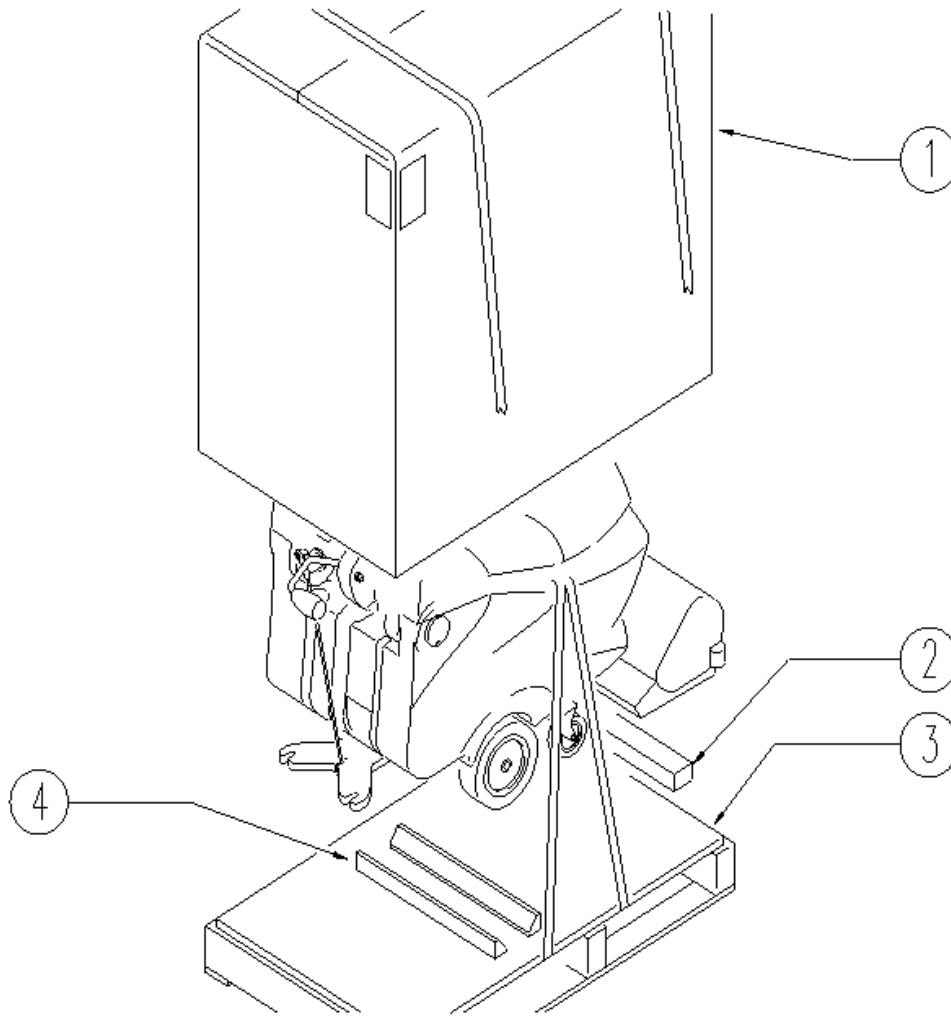
IPCGansow

Spare Parts List

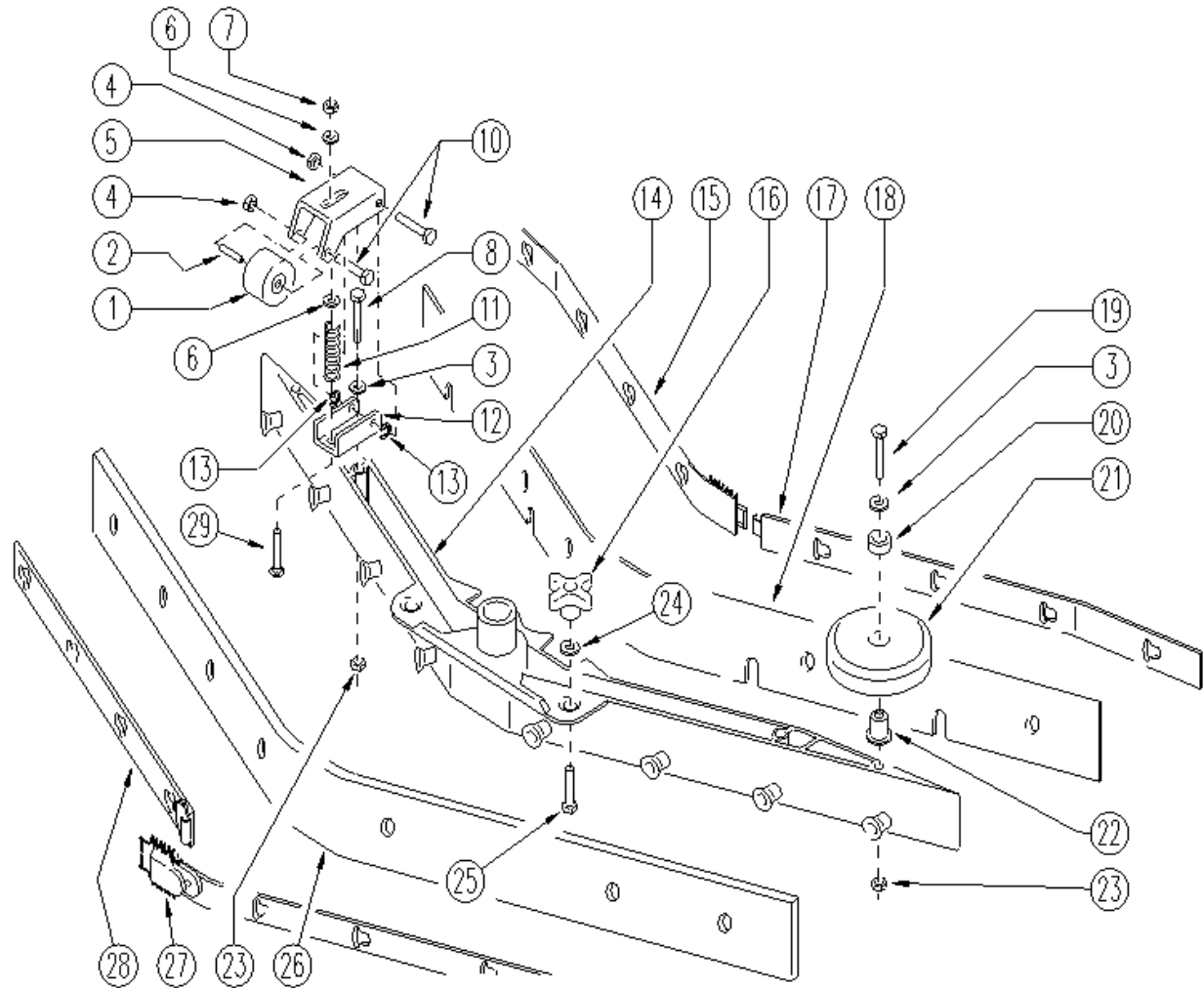
IPC . EAGLE

Ref: LPTB02013

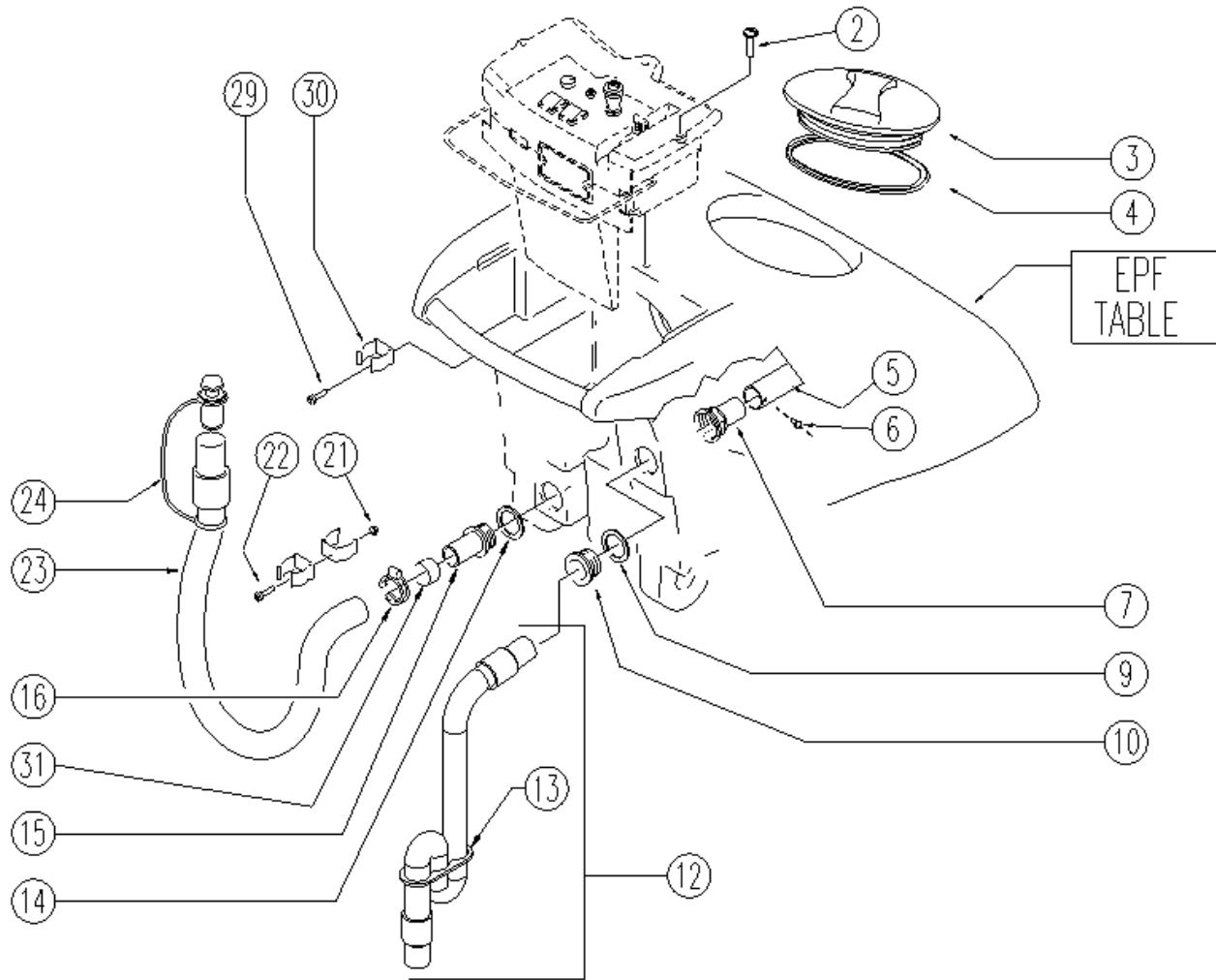
Model: CLEAN TIME 60 BT 55 R 24V



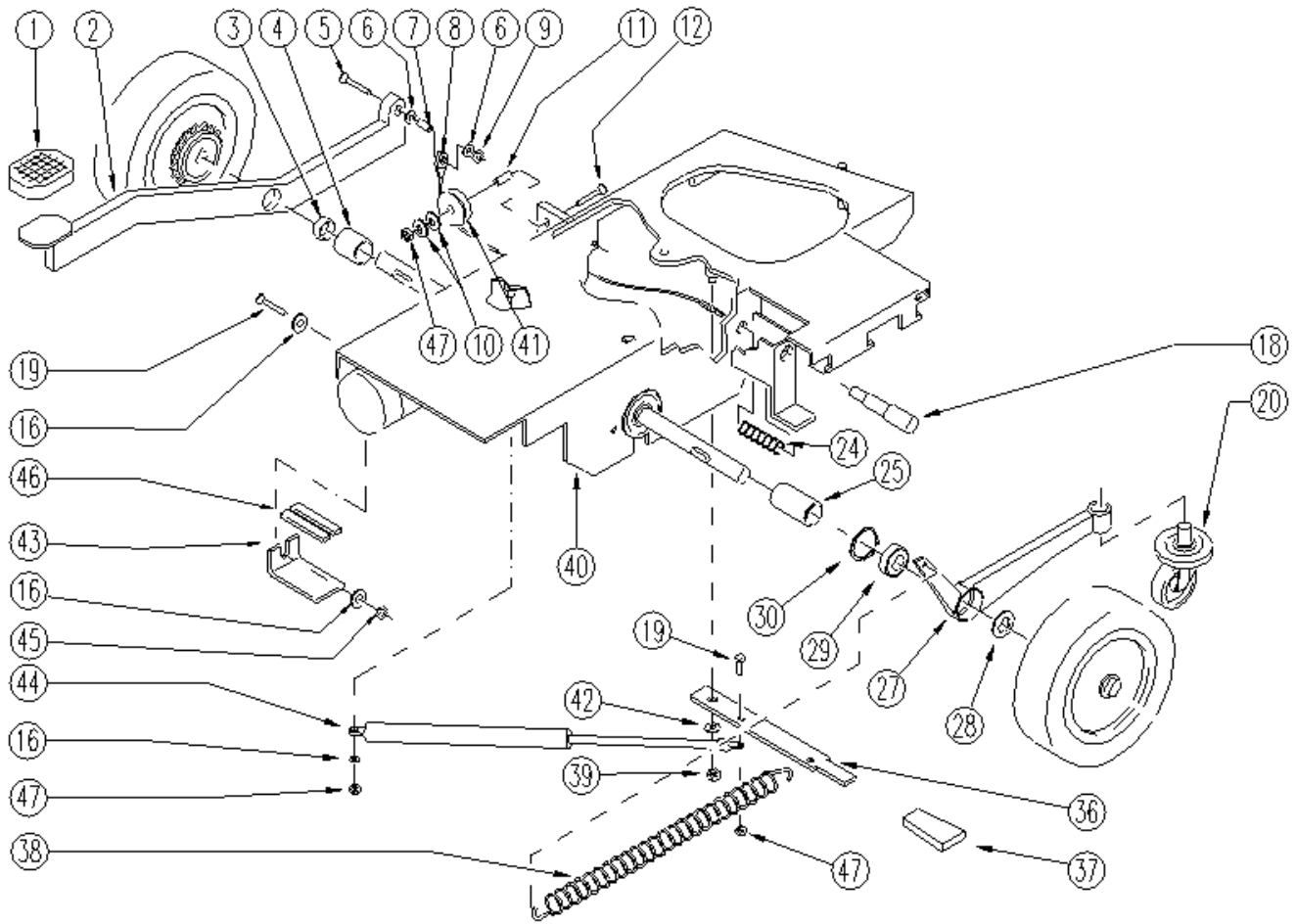
Ref. K	Part N.	Customer Part N.	Description	Qty	Validity:		Price
					From	To	
0001	MICT00065		CARTON 40/62B/BF/A	1,00			--
0002	MIVR00053		BODY SIDE POLIESTIROLO 430X100X60	1,00			--
0003	MIBA00054		PALLET Scrubber 40/62B/BF/A	1,00			--
0004	MIVR00065		LATH PER BLOCC. RUOT. 450/530	2,00			--



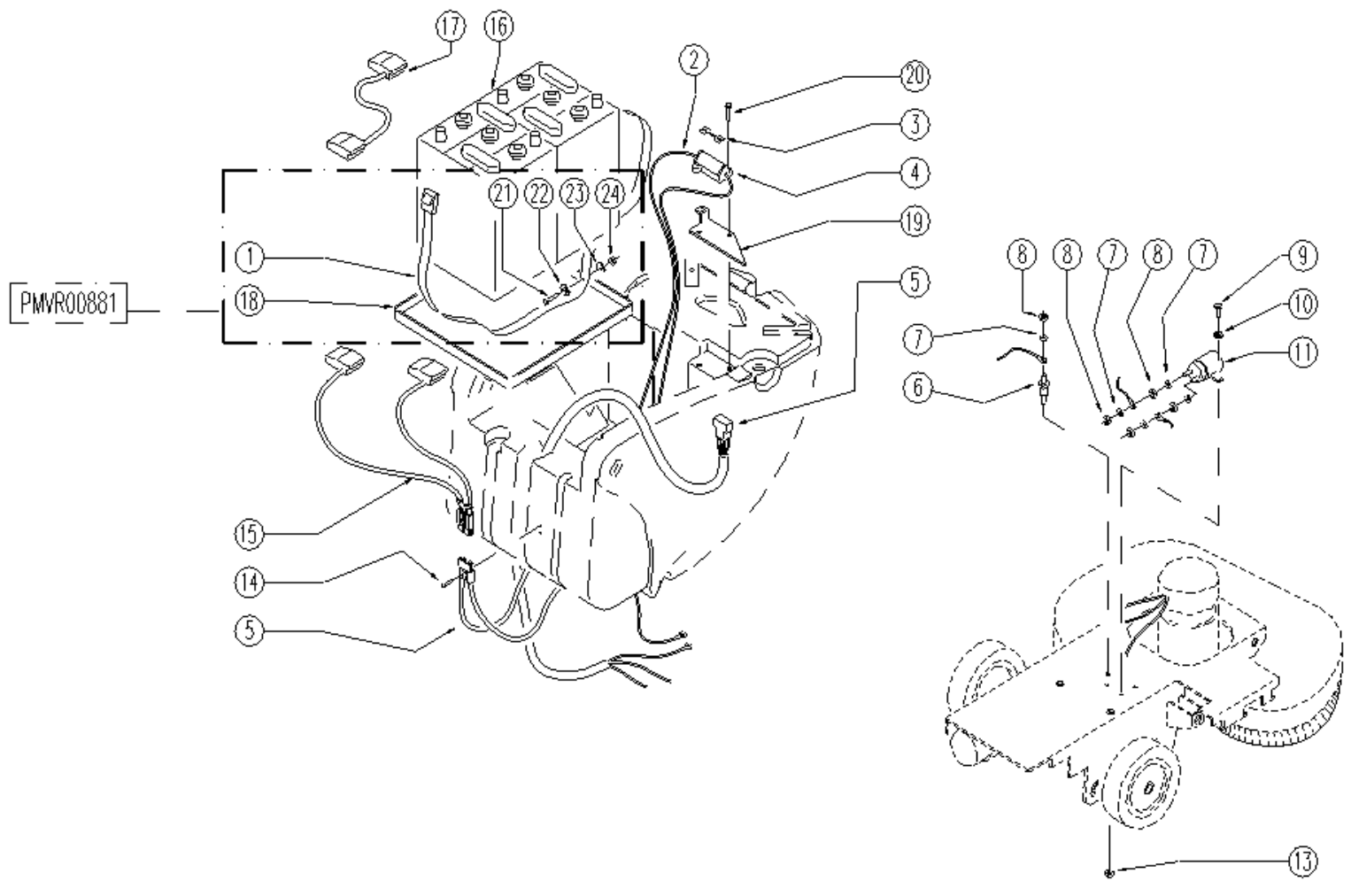
Ref. K	Part N.	Customer Part N.	Description	Qty	Validity:		Price
					From	To	
0001	RTRT49413		WHEEL D. 60-D.15 X36 NYL.	2,00	03/2004		--
0002	LAFN04041		SPACER D6/15	2,00	03/2004		--
0003	VTRS00245		WASHER D.6 UNI 6592 INOX	12,00	03/2004	05/2006	--
0003	VTRS15144		WASHER D. 6 INX GRW UNI 1751	4,00	05/2006		--
0004	VTDD01694		NUT M 6 INX	6,00	03/2004		--
0005	LAFN05559		SUPPORT RUOTINO	2,00	03/2004		--
0006	VTRS13947		WASHER D. 8 INX UNI 6592	4,00	03/2004		--
0007	VTDD01695		NUT M 8 INX	2,00	03/2004		--
0008	VTVT15142		SCREW TE M 6x45 INOX	2,00	03/2004		--
0009	VTRS15144		WASHER D. 6 INX GRW UNI 1751	4,00	03/2004	05/2006	--
0010	VTVT15143		SCREW TE 6X16 UNI5739	4,00	03/2004	05/2006	--
0010	VTVT15515		SCREW TE M 6X 50 INOX A2	4,00	05/2006		--
0011	MLML49422		SPRING D.15X 45 X1	2,00			--
0012	LAFN51069		BRACKET SUPP.RUOTINO SQUEEGEE	2,00			--
0013	VTAE45707		CIRCLIP D. 6 UNI 7434 INOX	4,00			--
0014	MFVR00141		BODY SQUEEGEE PRESSOFUSO	1,00	03/2004		--
0015	LAFN51045		LAMINATION BLOCCA LAMA ANTER.SX S	1,00	03/2004		--
0016	MPVR04164		HANDWHEEL M8 FILETTO PASSANTE	2,00	03/2004		--
0017	LAFN51044		LAMINATION BLOCCA LAMA ANTER.DX S	1,00	03/2004		--
0018	MPVR45194		RUBBER BLADE LAV. 800 ANT.	1,00	03/2004		--
0019	VTVT00655		SCREW TE M. 6-55	2,00			--
0020	MPVR49229		BUSHING SHK	2,00	03/2004		--
0021	RTRT43370		CASTER D.100 2V.	2,00	03/2004		--
0022	LAFN04100		SPACER PER RUOTINO PARACOLPI	2,00	03/2004		--
0023	VTDD15520		NUT M 6 A2 UNI 5588 INX	4,00	03/2004		--
0024	VTAE00074		CIRCLIP D8	2,00	03/2004		--
0025	VTVT01050		SCREW TE M 8X30 INX UNI 5737	2,00	06/2004		--
0026	MPVR45195		RUBBER BLADE LAV. 800 PST.POL.	1,00	03/2004		--
0027	LAFN49284		BLADE HOLDER POSTERIORE DX (S)	1,00	03/2004		--
0028	LAFN49285		BLADE HOLDER POSTERIORE SX (S)	1,00	03/2004		--
0029	VTVT01304		SCREW M 8X 40 TTQST UNI 5731	2,00	05/2006		--



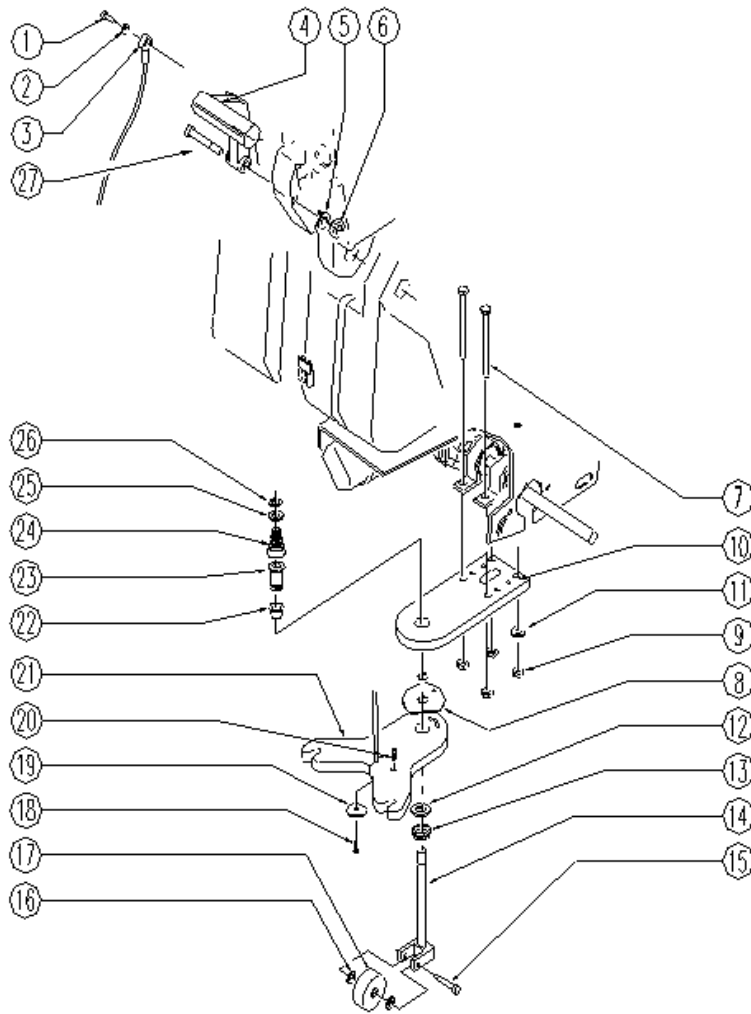
Ref. K	Part N.	Customer Part N.	Description	Qty	Validity:		Price
					From	To	
0002	VTVT00858		SCREW	2,00			--
0003	MPVR04051		TANK CAP	1,00			--
0004	GUGO00263		GASKET CIRCOLARE TAPPO	1,00			--
0005	MPVR02873		TUBE INT.SERBAT.RECUP.	1,00			--
0006	VTVT00881		SCREW TC+ M4x6 TRILOBATA INOX	1,00			--
0007	RCVR00504		CONNECTOR DRITTO FEMM.	1,00			--
0009	GUGO00216		GASKET ACQUA SPORCA	1,00			--
0010	RCVR00508		PIPE UNION DI SCARICO	1,00			--
0012	PMVR01043		TUBE ASPIRAZIONE	1,00			--
0013	MPVR02730		PLATE SIFONE	1,00			--
0014	GUGO00226		GASKET 1"1/4	1,00			--
0015	RCVR00505		CONNECTOR DRITTO	1,00			--
0016	FSVR43136		CLAMP D. 35-40 DF.	1,00			--
0021	VTDD00147		NUT M 4 INX U.5588	2,00			--
0022	VTVT21096		SCREW TE M 4X 10 INX	2,00			--
0023	TBFX49465		TUBE FLEX D.34 CPL.SHK SC.	1,00			--
0024	MPVR05064		CAP COMPLETO	1,00			--
0029	VTVT48694		SCREW TCB TC 5 X12 UNI 9707 TZ	2,00			--
0030	MPVR46988		CLIP LAV. SHK	3,00			--
0031	MPVR02765		PROTECTION INNESTO FISSAGGIO	1,00			--



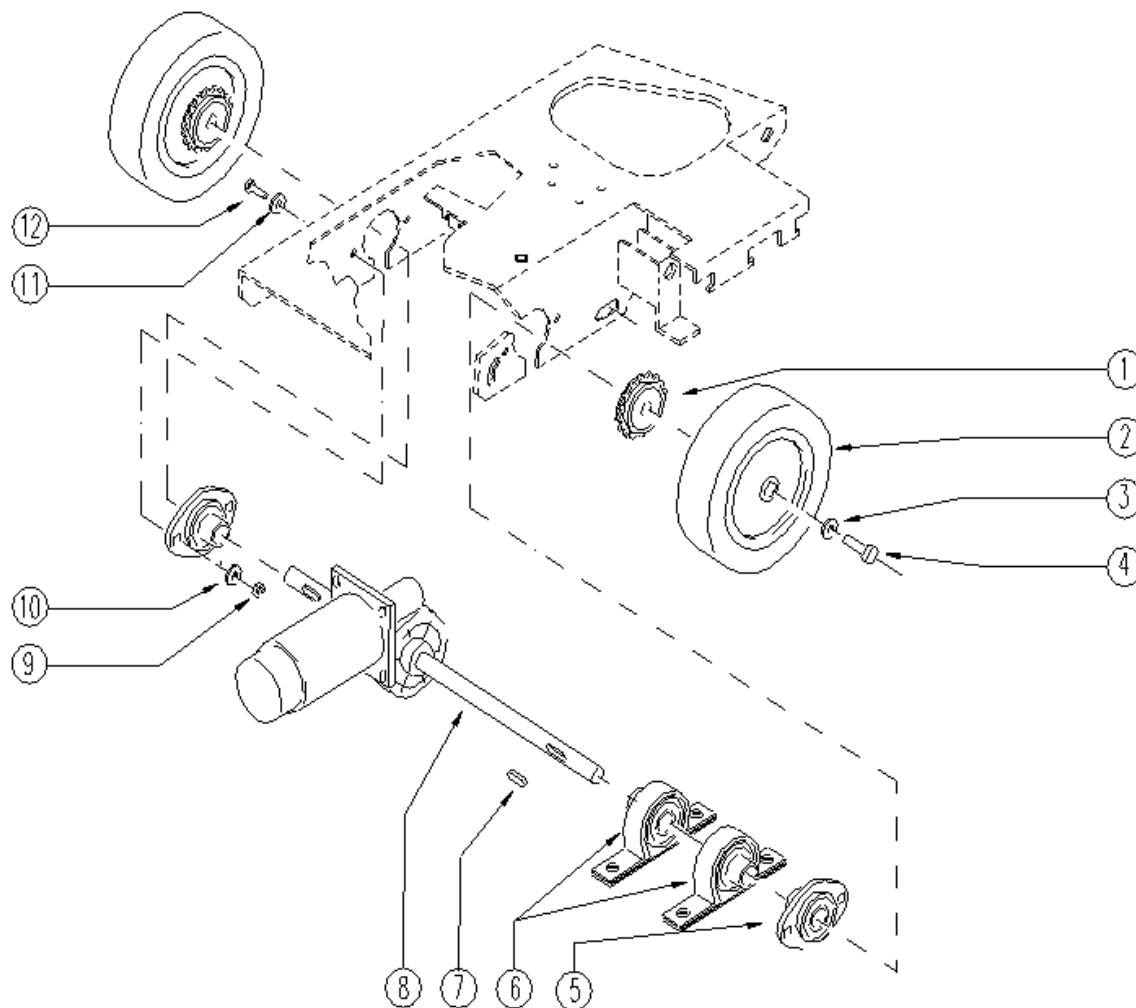
Ref. K	Part N.	Customer Part N.	Description	Qty	Validity:		Price
					From	To	
0001	MPVR04139		RUBBER PEDALINO	1,00	10/2002	--	--
0002	LAFN05574		LEVER SGANCIO RUOTINO	1,00	10/2002	--	--
0003	CUVR00129		BEARING	1,00	10/2002	--	--
0004	LAFN04034		SPACER H=44 D.I.=17 D.E.=20 AISI	1,00	10/2002	--	--
0005	VTVT00641		SCREW	1,00	10/2002	--	--
0006	VTRS00516		WASHER D. 5 INX	2,00	10/2002	--	--
0007	LAFN04067		BUSHING PER CAVETTO	1,00	10/2002	--	--
0008	CMCV45811		CORD SH 57	1,00	10/2002	--	--
0009	VTDD01693		NUT M 5 INX	1,00	10/2002	--	--
0010	VTRS00274		WASHER NYLON 66 D.8,4-17-2 UNI	3,00	10/2002	--	--
0011	LAFN03742		SPACER SILENZIATORE	1,00	10/2002	--	--
0012	VTVT25909		SCREW M 6X 25 TSPEI UNI 5933	1,00	10/2002	--	--
0016	VTRS00245		WASHER D.6 UNI 6592 INOX	2,00	10/2002	--	--
0018	LAFN46995		PIN SHK.57	1,00	10/2002	--	--
0019	VTVT15143		SCREW TE 6X16 UNI5739	2,00	10/2002	--	--
0020	RTRT00297		WHEEL D.80X30 C/SUPP.M12 120KG	1,00	10/2002	--	--
0024	MLML00223		SPRING SGANCIO RUOTINO	1,00	10/2002	--	--
0025	LAFN04035		SPACER H=55 D.I.=17 D.E.=20 AISI	1,00	10/2002	--	--
0027	LAFN05571		SUPPORT RUOTINO	1,00	10/2002	--	--
0028	VTRS00270		WASHER	2,00	10/2002	--	--
0029	CUVR00104		BEARING SKF 6003- 2RSH	1,00	10/2002	--	--
0030	VTAE17002		CIRCLIP D. 35 UNI 7437	1,00	10/2002	--	--
0036	LAFN05573		LEVER PRESSIONE TESTATA	1,00	10/2002	--	--
0037	MPVR04159		KNOB COMANDO TRAZIONE	1,00	10/2002	--	--
0038	MLML00225		SPRING	1,00	10/2002	--	--
0039	VTDD01695		NUT M 8 INX	1,00	10/2002	--	--
0040	LAFN05839		FRAME	1,00	02/2004	--	--
0041	MPVR02857		PULLEY NYLON D.30	1,00	10/2002	--	--
0042	VTRS13947		WASHER D. 8 INX UNI 6592	1,00	10/2002	--	--
0043	LAFN04706		SUPPORT MOTORE 450/530	1,00	10/2002	--	--
0044	MLML00217		SPRING A GAS	1,00	10/2002	--	--
0045	VTDD15518		NUT M 6 INX	1,00	10/2002	--	--
0046	GUGO00257		GASKET MOUSSE	2,00	10/2002	--	--
0047	VTDD00157		NUT M. 6 DIN 985 ZN	3,00	10/2002	--	--



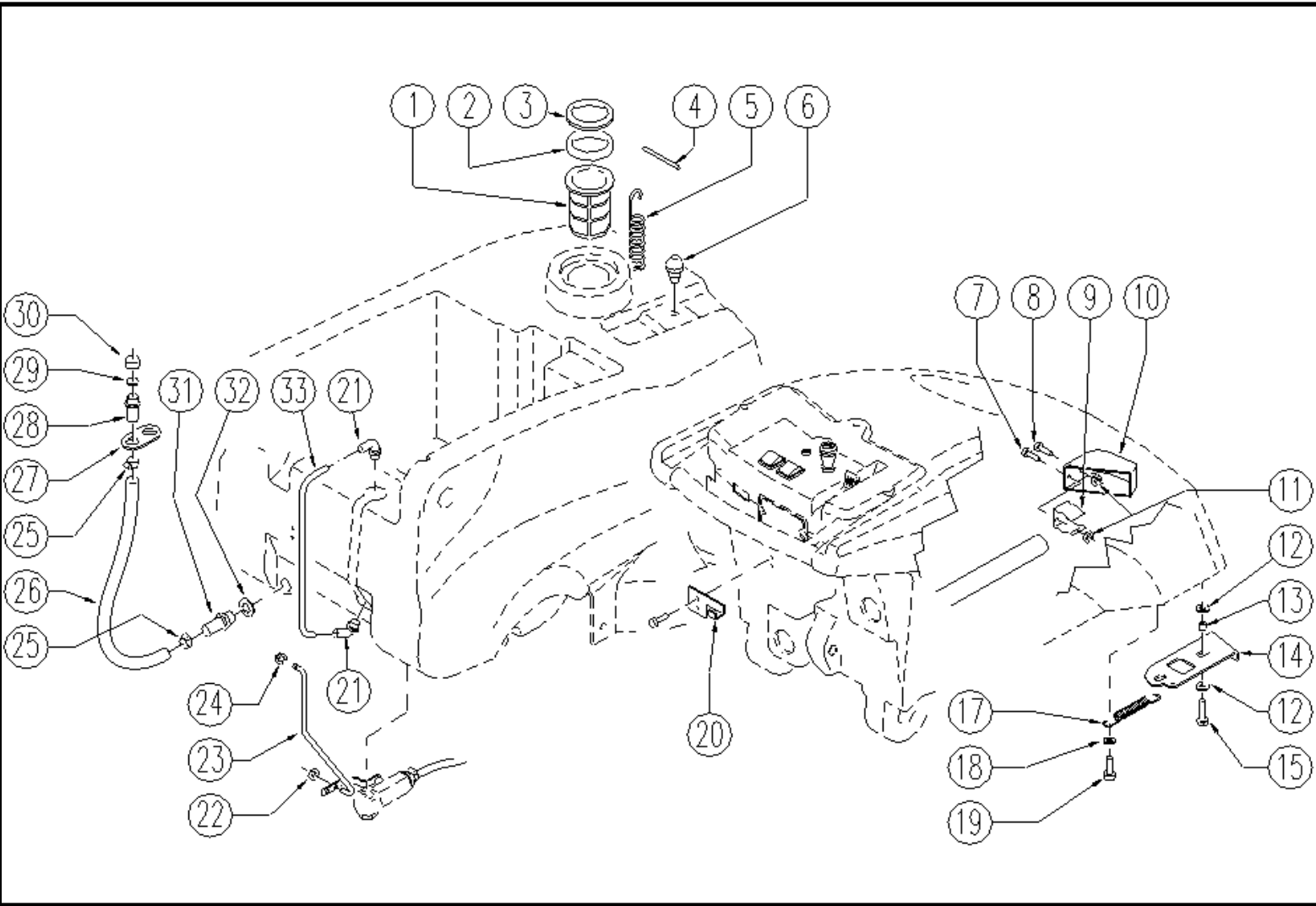
Ref. K	Part N.	Customer Part N.	Description	Qty	Validity:		Price
					From	To	
0001	MPVR03000		BELT BATTERIA	1,00			--
0002	MECB00728		WIRING FUSIBILE	1,00	10/2002		--
0003	MEVR42990		FUSE 60A NST.	1,00	10/2002		--
0004	MEVR01332		FUSE-HOLDER	1,00	10/2002		--
0005	MECB00727		WIRING PRINCIPALE	1,00	10/2002		--
0006	MEVR01116		SUPPORT FUSIBILE 120 A	1,00	10/2002		--
0007	VTRS00229		WASHER D.8	5,00	10/2002		--
0008	VTDD10776		NUT M 8 X1 UNI 5588	5,00	10/2002		--
0009	VTVT15961		SCREW M 5X 16 TCB TC UNI 7687	2,00	10/2002		--
0010	VTRS13750		WASHER D. 5X14 INX	2,00	10/2002		--
0011	METT30650		CONTACTOR 24 V	1,00	10/2002		--
0013	VTDD01695		NUT M 8 INX	1,00	10/2002		--
0014	VTVT00633		SCREW	2,00	10/2002		--
0015	MECB00726		WIRING BATTERIE	1,00	10/2002		--
0016	BAAC00070		BATTERY TUBOL.12V 118	2,00			--
0017	MEVR34820		WIRING B 450 BT	1,00	10/2002		--
0018	MPVR03271		PLATE BATTERIA	1,00	10/2002		--
0019	LAFN05628		PLATE AGGANCIO MOLLA	1,00	10/2002		--
0020	VTVT00810		SCREW	2,00	10/2002		--
0021	VTVT13941		SCREW M5x16 TSPEI UNI 5933	1,00	10/2002		--
0022	VTRS13947		WASHER D. 8 INX UNI 6592	1,00	10/2002		--
0023	VTRS13750		WASHER D. 5X14 INX	1,00	10/2002		--
0024	VTDD15517		NUT M 5 INX	1,00	10/2002		--



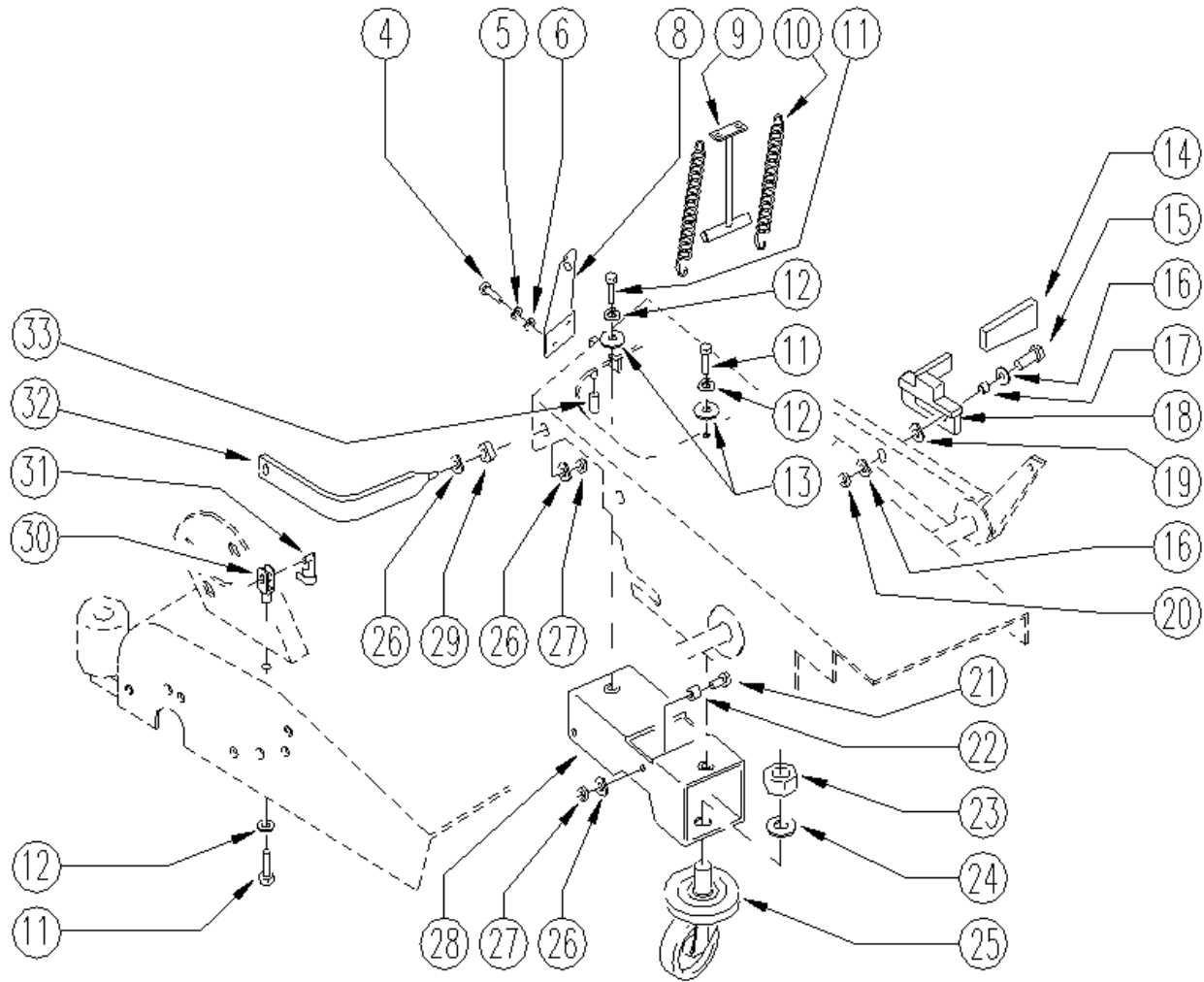
Ref. K	Part N.	Customer Part N.	Description	Qty	Validity:		Price
					From	To	
0001	VTVT00800		SCREW TC 4X12 ZN	1,00	05/2003	--	--
0002	VTRS00251		WASHER 4-16 INOX A2	1,00	05/2003	--	--
0003	CMCV00304		CABLE SOLLEVAMENTO	1,00	09/2003	--	--
0004	MPVR49942		LEVER SHK PP	1,00	05/2003	--	--
0005	VTRS00236		WASHER D.10 UNI 6592 ZINC. PIANA	1,00	05/2003	--	--
0006	VTDD00042		NUT AUT.M10 UNI7474	1,00	10/2002	--	--
0007	VTVT01539		SCREW M 8X 25 UNI 5739	4,00	10/2002	--	--
0008	VTRS00363		WASHER D.6 INOX A2	1,00	03/2004	--	--
0009	VTDD01695		NUT M 8 INX	4,00	05/2003	--	--
0010	LAFN51070		ARM SQUEEGEE	1,00	03/2004	--	--
0011	VTRS00230		WASHER D. 8	4,00	10/2002	--	--
0012	VTRS00259		RING RASAMENTO	1,00	04/2004	--	--
0013	LAFN44349		RING NUT M20X1 ABL	1,00	--	--	--
0014	LAFN05702		SUPPORT RUOTINO ANTIRIBALTAMENTO	1,00	10/2002	--	--
0015	LAFN04165		PIN RUOTINO ANTIRIB. INOX	1,00	04/2003	--	--
0016	VTRS13946		WASHER D. 8 X24 INX UNI 6593	2,00	10/2002	--	--
0017	RTRT00283		SMALL WHEEL GR.HS	1,00	10/2002	--	--
0018	VTVT00813		SCREW M 4X 8 TCB-TC UNI 8112	1,00	10/2002	--	--
0019	VTRS00291		WASHER D. 5 X20 ZC UNI 6593	1,00	10/2002	--	--
0020	LAFN06820		RING NUT M20X1 ABL	1,00	07/2004	--	--
0021	LAFN05555		PLATE	1,00	04/2004	--	--
0022	CUVR44348		BUSHING CB 85 2010 31T	1,00	03/2004	--	--
0023	LAFN51071		PIN FULCRO PIASTRA	1,00	03/2004	--	--
0024	MLML44531		SPRING D.16 -33 X50 RT.	1,00	10/2002	--	--
0025	VTRS00312		WASHER D.13 x24 INOX	1,00	10/2002	--	--
0026	VTAE00051		CIRCLIP X ALBERO D. 12 U7435 INX	1,00	10/2002	--	--
0027	VTVT00882		SCREW TCEI BASSA M10x80 8.8 ZN	1,00	05/2003	--	--



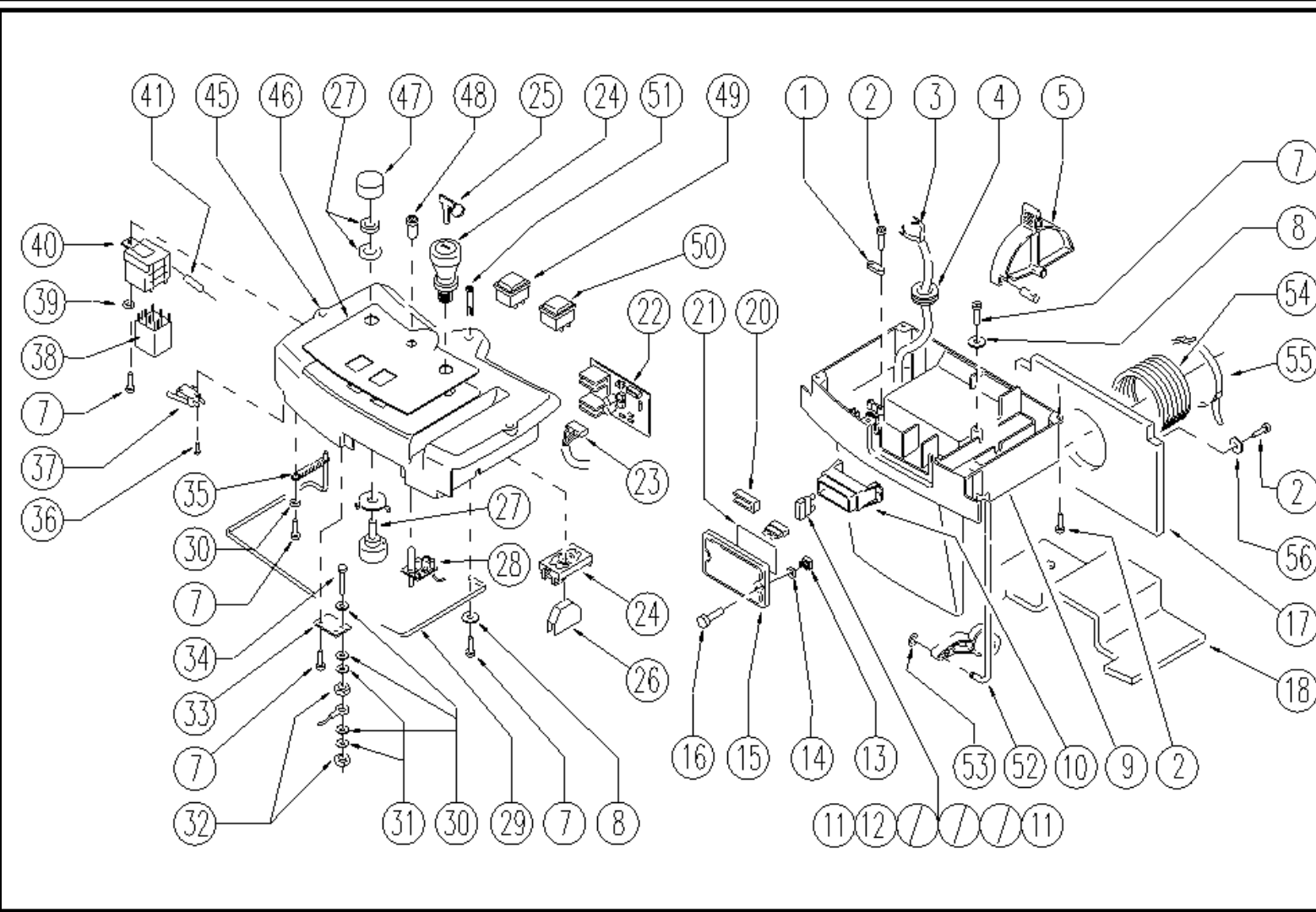
Ref. K	Part N.	Customer Part N.	Description	Qty	Validity:		Price
					From	To	
0001	PMVR00873		BEARING RUOTA LIBERA 18	2,00	07/2003		--
0002	RTRT00300		WHEEL D200 ARDB200001 ANELLO	2,00	07/2003		--
0003	VTRS13946		WASHER D. 8 X24 INX UNI 6593	2,00	07/2003		--
0004	VTVT00666		SCREW TBEI M. 8-10 INOX	2,00	07/2003		--
0005	CUVR31139		SUPPORT PFT 40/17 TB	2,00			--
0006	CUVR49833		BALL BEARING SBPP 203	2,00	09/2004		--
0007	VTVR31143		KEY 4X 4X12 UNI 6604A	2,00	07/2003		--
0008	MOCC46994		MOTOR SHK.57 24V	1,00	07/2003		--
0009	VTDD15518		NUT M 6 INX	4,00	07/2003		--
0010	VTRS15144		WASHER D. 6 INX GRW UNI 1751	4,00			--
0011	VTRS00245		WASHER D.6 UNI 6592 INOX	5,00	07/2003		--
0012	VTVT13939		SCREW TE 6X20 UNI5739 INX	4,00	02/2004		--



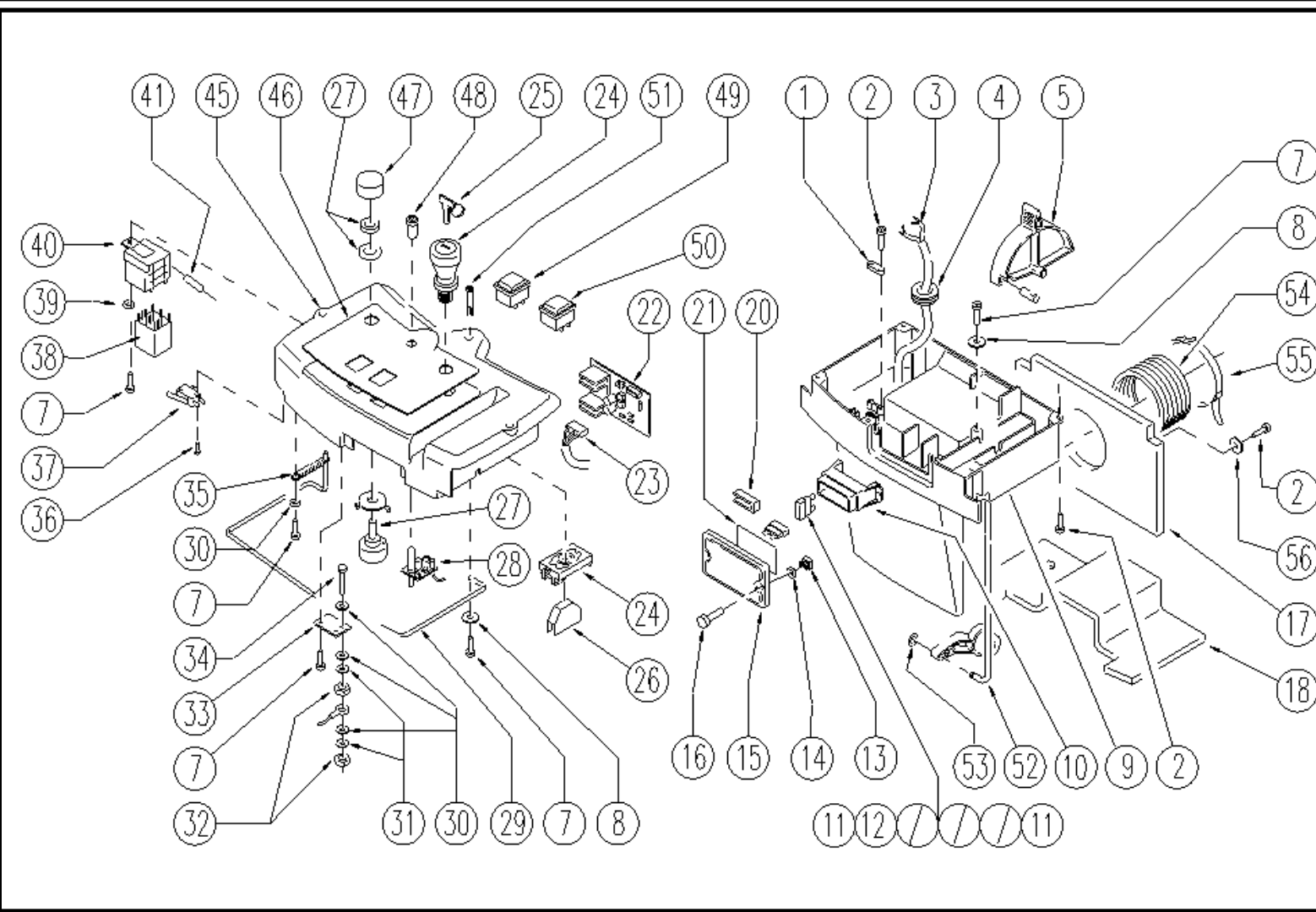
Ref. K	Part N.	Customer Part N.	Description	Qty	Validity:		Price
					From	To	
0001	FTAC48857		FILTER ASP. ACQUA SERB. LAVAP.	1,00	10/2002		--
0002	GUVR48858		GASKET SRB.SHK	1,00	10/2002		--
0003	GUVR48859		GASKET SHK	1,00	10/2002		--
0004	LAFN04114		SPRING SUPPORT LINEA 3	1,00	10/2002		--
0005	MLML00234		SPRING TESTATA LINEA 3	1,00	10/2002		--
0006	LAFN04044		PIN APERTURA SERBATOIO	1,00	10/2002		--
0007	VTVT00817		SCREW TE M4x12 UNI 5739 INOX	1,00	02/2004		--
0008	VTVT00727		SCREW TE M. 4-20	1,00	04/2004		--
0009	MPVR46988		CLIP LAV. SHK	1,00	02/2004		--
0010	MPVR51057		BAFFLE ASPIRAZIONE	1,00			--
0011	VTDD15925		NUT M 4 INX	2,00	02/2004		--
0012	VTRS13946		WASHER D. 8 X24 INX UNI 6593	4,00	10/2002		--
0013	LAFN03940		BUSHING 8/12-5,25	2,00	10/2002		--
0014	LAFN05744		HANDLE SERBATOI	1,00	10/2002		--
0015	VTVT15916		SCREW TE M 8X 16 UNI 5739 A2	2,00	10/2002		--
0017	MLML34726		SPRING TR E350 N	1,00	10/2002		--
0018	VTRS21116		WASHER D. 3 INX	1,00	10/2002		--
0019	VTVT21096		SCREW TE M 4X 10 INX	1,00			--
0020	LAFN05846		HOOKING TUBO SCARICO	1,00	03/2004		--
0021	RCVR00538		CONNECTOR A GOMITO	2,00	10/2002		--
0022	VTDD15518		NUT M 6 INX	1,00	10/2002		--
0023	LAFN05760		ROD INFERIORE RUBINETTO	1,00	02/2003		--
0024	VTAE00058		CIRCLIP RADIALE ALBERI D5 INOX	1,00	10/2002		--
0025	FSVR00091		CLAMP 14-24	2,00	03/2004		--
0026	TBBP00180		TUBE D 15-500 MM	1,00			--
0027	MPVR02836		HOOKING TUBO	1,00	03/2004		--
0028	RCVR00514		CONNECTOR 1/2 M RESCA 15	1,00	03/2004		--
0029	GUGO00268		GASKET D.21 SP.3 GOMMA	1,00	03/2004		--
0030	RCVR00353		CAP 1/2"G X ELETTROV. ACL	1,00	03/2004		--
0031	RCVR00359		UNION/CONNECTOR1/2 X 17 MOD.	1,00	03/2004		--
0032	GUVR00213		WASHER GOMMA	1,00			--
0033	TBBP00365		TUBE LIVELLO	1,00			--



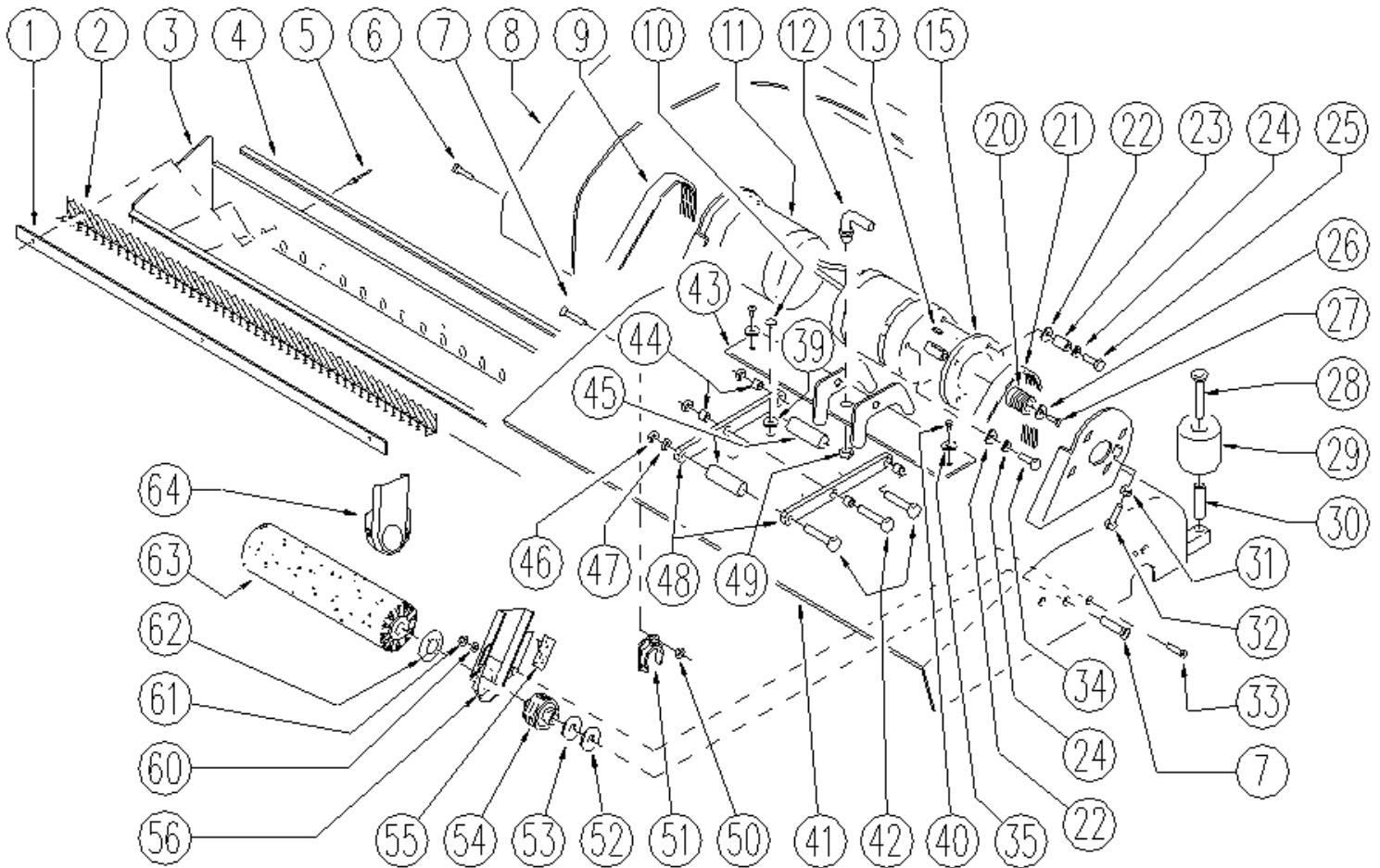
Ref.	K	Part N.	Customer Part N.	Description	Qty	Validity:		Price
						From	To	
0004		VTVT15143		SCREW TE 6X16 UNI5739	2,00	02/2004	--	--
0005		VTRS15144		WASHER D. 6 INX GRW UNI 1751	2,00	02/2004	--	--
0006		VTRS00245		WASHER D.6 UNI 6592 INOX	2,00	02/2004	--	--
0008		LAFN05897		BRACKET AGGANCIAMENTO MOLLA	1,00	02/2004	--	--
0009		LAFN05818		SUPPORT MOLLA	1,00	04/2003	--	--
0010		MLML00152		SPRING F.1.5-D.16-L.50 TRA	2,00	04/2003	--	--
0011		VTVT13938		SCREW TE 8X20 UNI5739 INX	3,00	04/2003	--	--
0012		VTRS01080		WASHER D. 8 GRW	3,00	04/2003	--	--
0013		VTRS13946		WASHER D. 8 X24 INX UNI 6593	2,00	03/2004	--	--
0014		MPVR04159		KNOB COMANDO TRAZIONE	1,00	04/2003	--	--
0015		VTVT15141		SCREW TE M 6X 25 UNI 5739 INX	1,00	02/2004	--	--
0016		VTRS13945		WASHER D. 6X18 INX UNI 6593	2,00	04/2003	--	--
0017		LAFN04164		SPACER	1,00	04/2003	--	--
0018		LAFN05819		LEVER	1,00	04/2003	--	--
0019		MLML00173		SPRING A TAZZA D 6,2-18	1,00	05/2004	--	--
0020		VTDD01694		NUT M 6 INX	1,00	04/2003	--	--
0021		VTVT13937		SCREW TE M 8X 30 INX UNI 5739	2,00	04/2003	--	--
0022		LAFN43369		SPACER D. 9-12 L= 16	2,00	04/2003	--	--
0023		VTDD00131		NUT M.12 AUT. DIN 982 ZINC	1,00	04/2003	--	--
0024		VTRS00232		WASHER D.12 UNI 6592 ZINC.	1,00	04/2003	--	--
0025		RTRT00297		WHEEL D.80X30 C/SUPP.M12 120KG	1,00	04/2003	--	--
0026		VTRS13947		WASHER D. 8 INX UNI 6592	4,00	04/2003	--	--
0027		VTDD01695		NUT M 8 INX	3,00	04/2003	--	--
0028		LAFN05820		SUPPORT TESTATA	1,00	04/2003	--	--
0029		RCDS35584		BUSHING D. 8X12X 4.3	1,00	04/2003	--	--
0030		CMCV35596		FORK M 8 X42 BT	1,00	04/2003	--	--
0031		CMCV75718		CLIP UNI 1676 M8	1,00	--	--	--
0032		LAFN05670		LEVER AGGANCIAMENTO TESTATA SK60	1,00	04/2003	--	--
0033		LAFN31041		FOOT D. 10 FF E350	1,00	06/2003	--	--



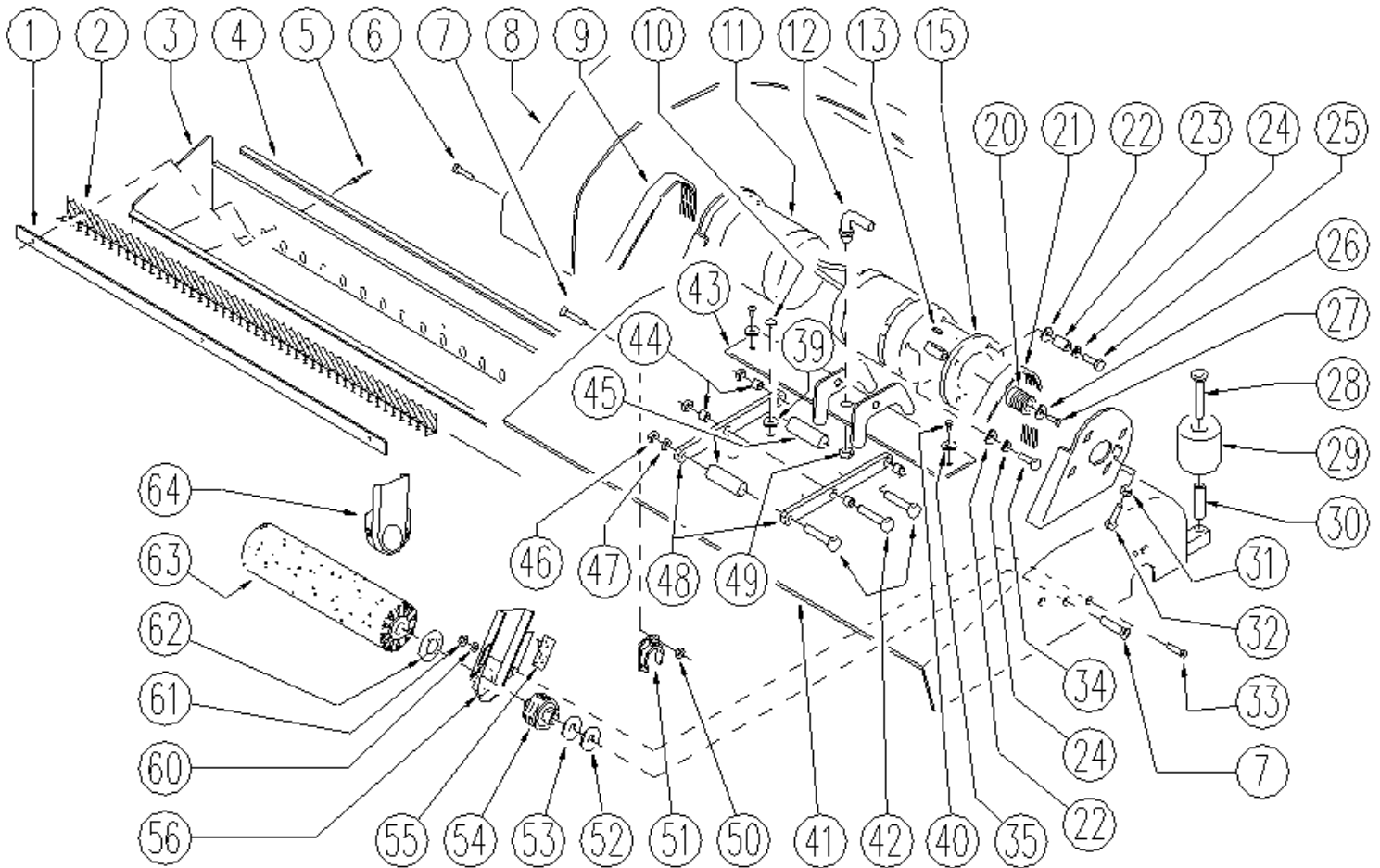
Ref. K	Part N.	Customer Part N.	Description	Qty	Validity:		Price
					From	To	
0001	LAFN05201		CABLE CLAMPING BLOCCACAVO	1,00	10/2002		--
0002	VTVT28553		SCREW TCB-TC 3.5X16	8,00	07/2003		--
0003	MECB00772		WIRING PANNELLO	1,00	11/2002	11/2003	--
0004	MEVR01331		FAIR-LEAD PVC	1,00	10/2002		--
0005	MPVR03845		LEVER REGOLAZ.	1,00	10/2002		--
0006	LAFN05103		ARTICULATION SUPERIORE	1,00	10/2002		--
0007	VTVT07859		SCREW TCB-TC 3.5X13 UNI6954	6,00	07/2003		--
0008	VTRS13750		WASHER D. 5X14 INX	2,00			--
0009	MPVR03844		PANEL COMANDI	1,00	11/2003		--
0010	MEVR01386		FUSE CARRIER LAMA 6 POSTI	1,00			--
0011	MEVR01136		FUSE 30A	6,00	07/2003		--
0012	MEVR01380		FUSE A LAMA	2,00	11/2002		--
0013	VTDD00167		NUT M.6	2,00	10/2002		--
0014	GUGO00150		NUT	2,00	10/2002		--
0015	MPVR35628		COVER LAV.	1,00	12/2003		--
0016	VTVT00858		SCREW	2,00	10/2002		--
0017	ITSO00031		SOUND-PROOFING PARETE POST. PANN.COM.SK	1,00	11/2003		--
0018	ITSO00032		SOUND-PROOFING PARETE INFER.PANN.COM.SK	1,00	11/2003		--
0020	MEVR01153		FUSE FUSIBILI	1,00	10/2002		--
0021	ETET01352		LABEL FUSIBILI	1,00	10/2002		--
0022	MECE00390		GEARCASE TRAZ. 24V	1,00	10/2002		--
0023	MECI00277		CONNECTOR	1,00	10/2002		--
0024	MECI00323		BUTTON FUNGO	1,00			--
0025	CHVR00051		DIASSASS.SPANNERPULSANTE FUNGO	1,00			--
0026	MECI00403		CONTACT	2,00			--
0027	MEVR01432		POTENTIOMETER A FILO	1,00			--
0028	MECE30652		PCB LAV.FL.	1,00			--
0029	LAFN05089		LEVER CONSENSO SPAZZOLE/TRAZ.	1,00	10/2002		--
0030	VTRS00516		WASHER D. 5 INX	6,00	07/2003		--
0031	VTRS15908		WASHER D. 5 INX GRW UNI 1751	2,00	01/2003		--
0032	VTDD07727		NUT M 5 INOX	2,00	01/2003		--
0033	MPVR02820		SUPPORT PIASTRINA BLOCCO LEVA	1,00	10/2002		--
0034	VTVT00766		SCREW TE M. 5-25	1,00	01/2003		--
0035	MLML00215		SPRING LEVA CONSENSO SPAZZOLE	1,00	10/2002		--
0036	VTVT00744		SCREW	2,00			--
0037	MECI00310		MICROSWITCH	1,00	10/2002		--
0038	MERL45196		SWITCH RELAY F7 IN/O 12V 70A	1,00	10/2002		--
0039	VTRS00501		WASHER D. 4 0.232 UNI 6592	1,00	10/2002		--
0040	METT00053		BLOCK PORTA RELE'	1,00	10/2002		--



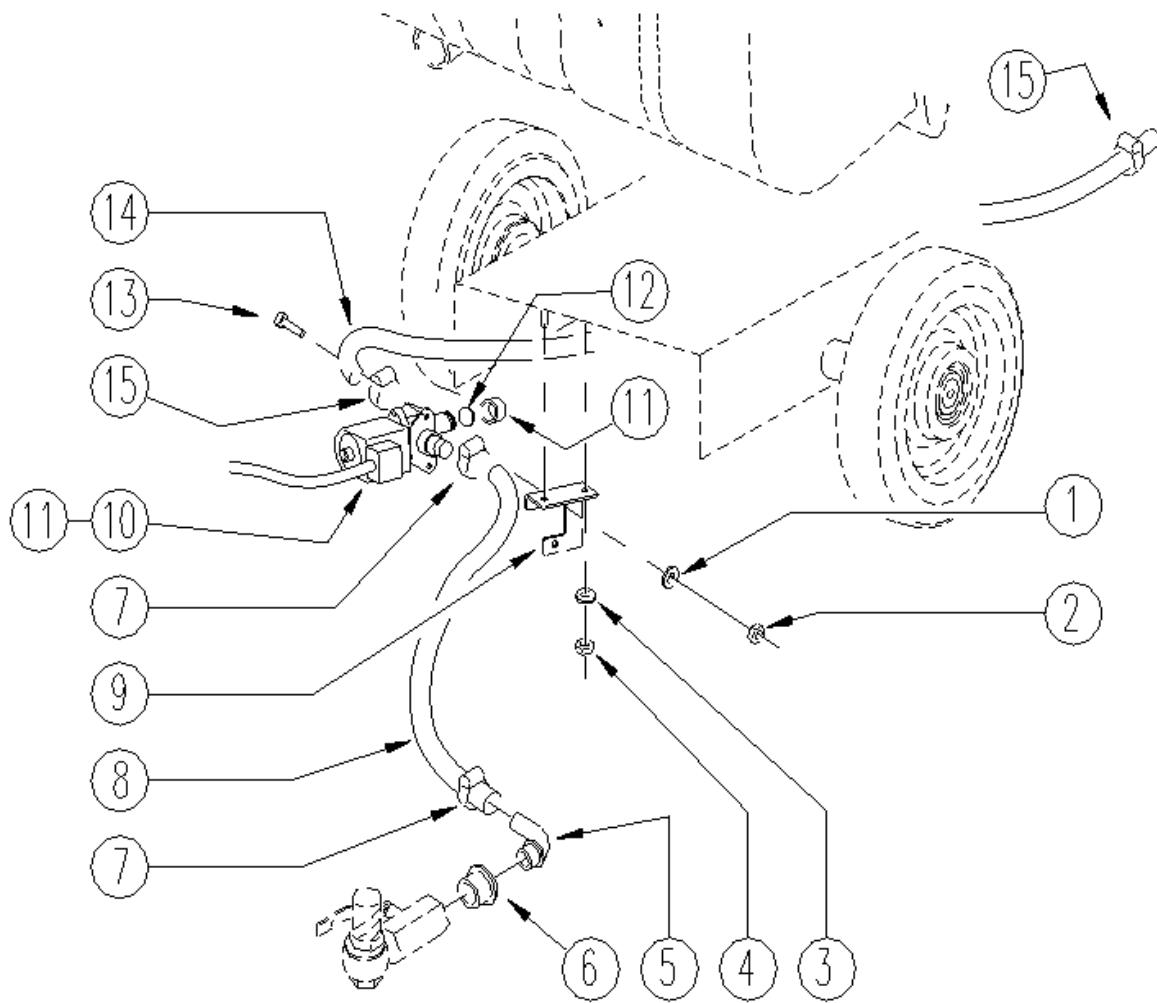
Ref. K	Part N.	Customer Part N.	Description	Qty	Validity:		Price
					From	To	
0041	MECE00341		RESISTANCE 68R	1,00	01/2003		--
0045	MPVR03840		PANEL COMANDI	1,00	10/2002		--
0046	ETET01342		LABEL PANN.COMANDI	1,00	10/2002		--
0047	MPVR36404		KNOB SPECTROL 635M.NE	1,00	10/2002		--
0048	MELF00013		OIL WARN-LIGHT x SPIA SCARICA BATTERIE	1,00	10/2002		--
0049	MECI00336		SWITCH BIPOL.LUMIN.	1,00	10/2002		--
0050	MECI30651		SWITCH GIALLO 36V	1,00	10/2002		--
0051	MPVR02940		KLIP D. 6,5 L=15	1,00			--
0052	LAFN05758		ROD SUPERIORE RUBINETTO	1,00			--
0053	VTAE00058		CIRCLIP RADIALE ALBERI D5 INOX	1,00			--
0054	TBBP00225		TUBE D 80-320 MM	1,00	03/2004		--
0055	FSVR00083		CLAMP 62-82	1,00			--
0056	VTRS00291		WASHER D. 5 X20 ZC UNI 6593	2,00	03/2004		--



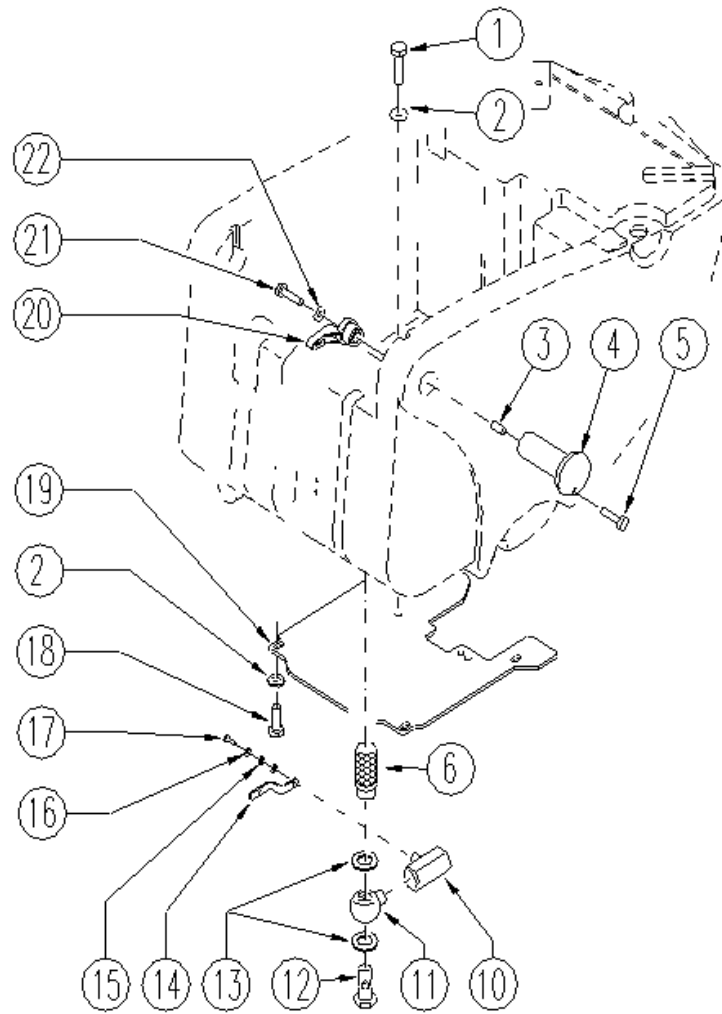
Ref.	K	Part N.	Customer Part N.	Description	Qty	Validity:		Price
						From	To	
0001		LAFN05816		PLATE BLOCCA RETE CASSETTO	1,00	04/2003	--	--
0002		FTDP00132		FILTER RETE CASSETTO SPAZZATO	1,00	04/2003	--	--
0003		LAFN05815		DRAWER SPAZZATO	1,00	04/2003	--	--
0004		GUGO00265		GASKET	1,00	04/2003	--	--
0005		VTVR00238		RIVET 4-10 ALLUMINIO	3,00	04/2003	--	--
0006		VTVT00855		SCREW TSP+ M4X15	4,00	06/2003	--	--
0007		VTVT00750		SCREW TSPE M. 6-16	6,00	04/2003	--	--
0008		MPVR04106		COVER SPAZZANTE	1,00	04/2003	--	--
0009		MTCG00097		BELT PV406 J4	1,00	04/2003	--	--
0010		MPVR02944		CAP DOPPIO DI FISSAGGIO	4,00	05/2004	--	--
0011		MOCC00149		MOTOR 400W 3000G 24V	2,00	04/2003	--	--
0012		RCVR45752		HOSE FITTING "L" 3/8M - D.10 PLS.	1,00	06/2003	--	--
0013		VTVR13165		KEY 5X5X20	2,00	04/2003	--	--
0015		LAFN04923		FLANGE DISTANZIALE MOTORE	2,00	04/2003	--	--
0020		MTPL00133		PULLEY MOTRICE	2,00	04/2003	--	--
0021		MTCG00096		BELT PV483 J4	1,00	04/2003	--	--
0022		VTRS13945		WASHER D. 6X18 INX UNI 6593	8,00	04/2003	--	--
0023		LAFN04006		SPACER L=12 D.I. =6,1 D.E. =12	2,00	04/2003	--	--
0024		VTRS15144		WASHER D. 6 INX GRW UNI 1751	8,00	04/2003	--	--
0025		VTVT00392		SCREW M6x35 UNI5739 inox	2,00	10/2003	--	--
0026		VTRS15523		WASHER D.10 X21 INOX UNI 6592	2,00	04/2003	--	--
0027		VTVT00832		SCREW TSPEI M6X16 INOX	2,00	05/2004	--	--
0028		VTVT00885		SCREW TSPEI M.12-80	2,00	04/2003	--	--
0029		MPVR02893		ROLLER PARACOLPI NERO	2,00	04/2003	--	--
0030		LAFN04111		SPACER	2,00	04/2003	--	--
0031		VTDD15521		NUT M 8 INX A2 UNI 5588	2,00	04/2003	--	--
0032		VTVT00708		SCREW TE M. 8-40	2,00	06/2003	--	--
0033		VTVT00681		SCREW	4,00	02/2004	--	--
0034		VTVT13939		SCREW TE 6X20 UNI5739 INX	6,00	06/2003	--	--
0035		VTRS00251		WASHER 4-16 INOX A2	2,00	02/2004	--	--
0039		MPVR35582		RUBBER LAV.	4,00	10/2006	--	--
0040		VTVT21887		SCREW TCB-TC 4X10 8112	2,00	07/2003	--	--
0041		LAFN05821		HEAD	1,00	04/2003	--	--
0042		VTVT13516		SCREW TE M 8X100	3,00	04/2003	--	--
0043		MPVR02834		COVER DISTRIBUTORE	1,00	04/2003	--	--
0044		RCDS34717		BUSHING D. 9X12X 8.3	4,00	04/2003	--	--
0045		LAFN04155		SPACER ASSE LEVA MOLLA PRESS.	2,00	04/2003	--	--
0046		VTDD01695		NUT M 8 INX	3,00	04/2003	--	--
0047		VTRS13947		WASHER D. 8 INX UNI 6592	1,00	04/2003	--	--



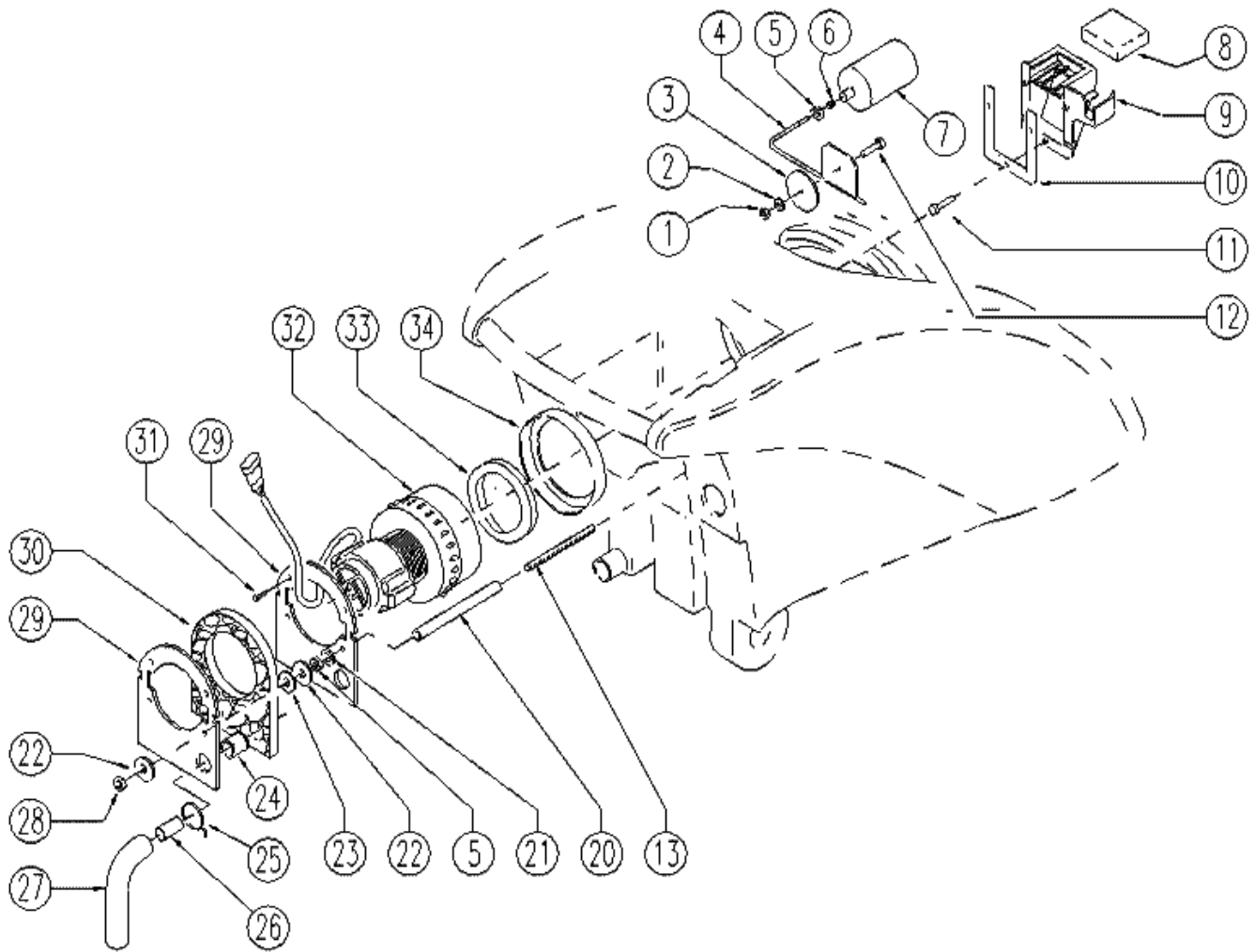
Ref. K	Part N.	Customer Part N.	Description	Qty	Validity: From	To	Price
0048	LAFN05817		PLATE	2,00	04/2003	--	--
0049	VTDD00133		NUT 3/8" OTTONE LUCIDO	1,00	06/2003	--	--
0050	VTDD15518		NUT M 6 INX	4,00	04/2003	--	--
0051	MPVR31929		SUPPORT E 350 N	2,00	04/2003	--	--
0052	LAFN34719		DISC E 350	2,00	04/2003	--	--
0053	GUGO06706		GASKET DISCO PROTEZIONE	2,00	02/2004	--	--
0054	MPVR04119		PULLEY TRASC.RULLO350	2,00		--	--
0055	GUGO06701		GASKET CARTERINO	2,00	02/2004	--	--
0056	MPVR04114		CRANKCASE DX PULEGGIA	1,00	09/2003	--	--
0060	VTRS00515		WASHER D. 4 INX	4,00	04/2003	--	--
0061	VTDD15925		NUT M 4 INX	4,00	04/2003	--	--
0062	MPVR02842		PROTECTION PARAACQUA	2,00	10/2003	--	--
0063	SPPV00343		ROLLER D100 NYLON	2,00		--	--
0064	MPVR04115		CRANKCASE SX PULEGGIA	1,00	09/2003	--	--



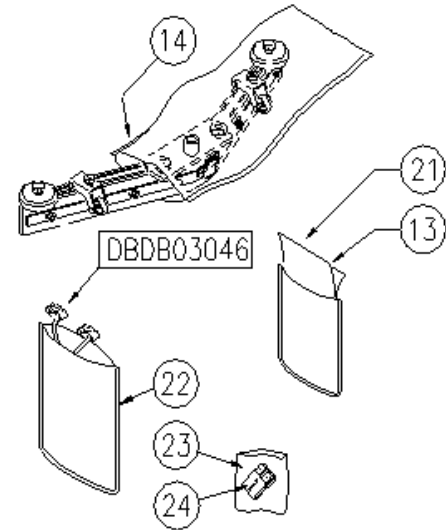
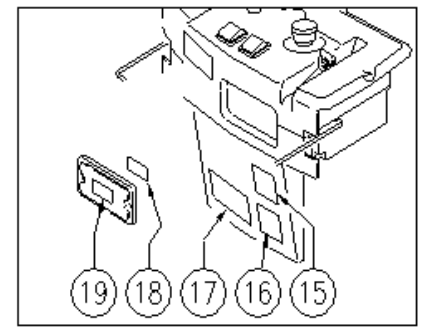
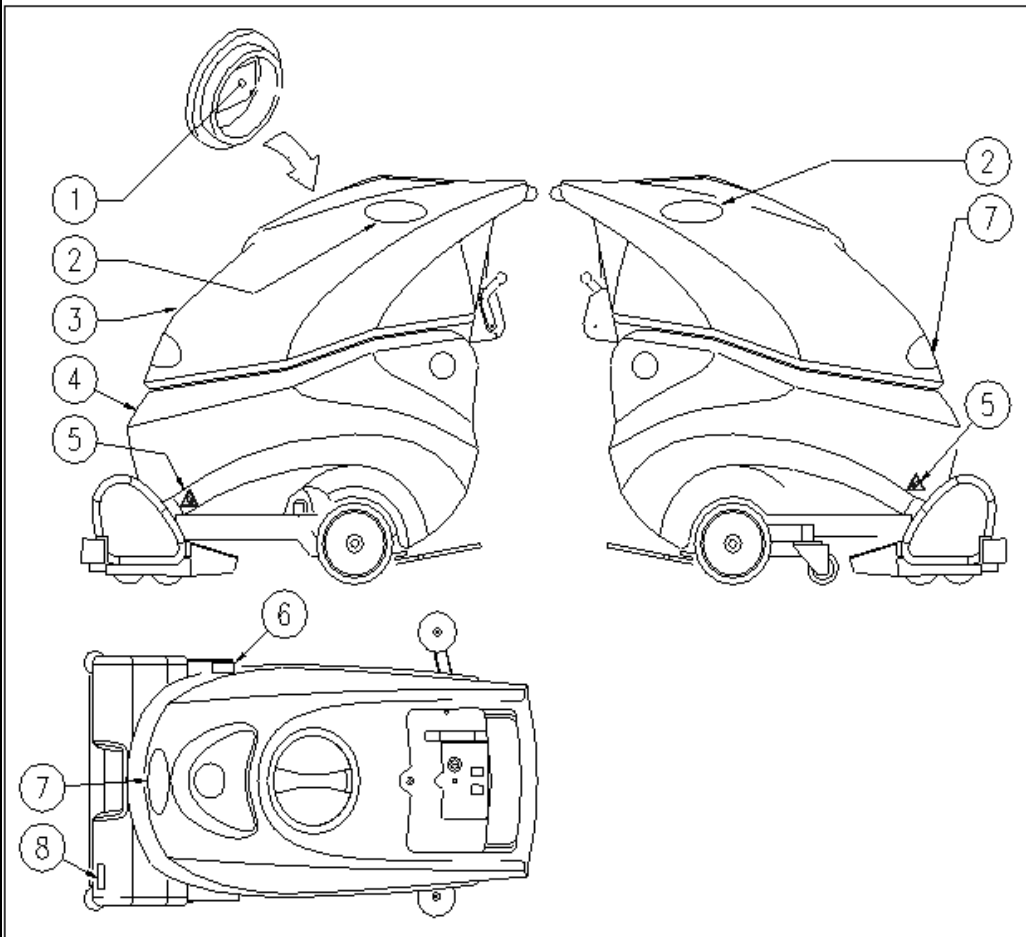
Ref. K	Part N.	Customer Part N.	Description	Qty	Validity:		Price
					From	To	
0001	VTRS00515		WASHER D. 4 INX	2,00	09/2004	--	--
0002	VTDD15925		NUT M 4 INX	2,00	09/2004	--	--
0003	VTRS00516		WASHER D. 5 INX	2,00	09/2004	--	--
0004	VTDD01693		NUT M 5 INX	2,00	09/2004	--	--
0005	RCVR45752		HOSE FITTING "L" 3/8M - D.10 PLS.	1,00	09/2004	--	--
0006	RCVR43969		REDUCTION 1/2-3/8 M/F PLS.	1,00	09/2004	--	--
0007	FSVR00096		CLAMP 10-16 INOX	2,00	09/2004	--	--
0008	TBFX49101		TUBE FLEX D.34 CPL.SHK	1,00	09/2004	--	--
0009	LAFN05658		BRACKET SUPPORTO ELETTRORVALVOLA	1,00	09/2004	--	--
0010	MEEV00018		SOLENOID VALVE	1,00	09/2004	--	--
0011	MECB00887		WIRING KIT ELETTRORVALVOLA 24V	1,00	09/2004	--	--
0011	RCVR00353		CAP 1/2"G X ELETTRORV. ACL	1,00	09/2004	--	--
0012	GUGO00268		GASKET D.21 SP.3 GOMMA	1,00	09/2004	--	--
0013	VTVT00817		SCREW TE M4x12 UNI 5739 INOX	2,00	09/2004	--	--
0014	TBBP00286		TUBE L=800 MM	1,00	09/2004	--	--
0015	FSVR00091		CLAMP 14-24	2,00	09/2004	--	--



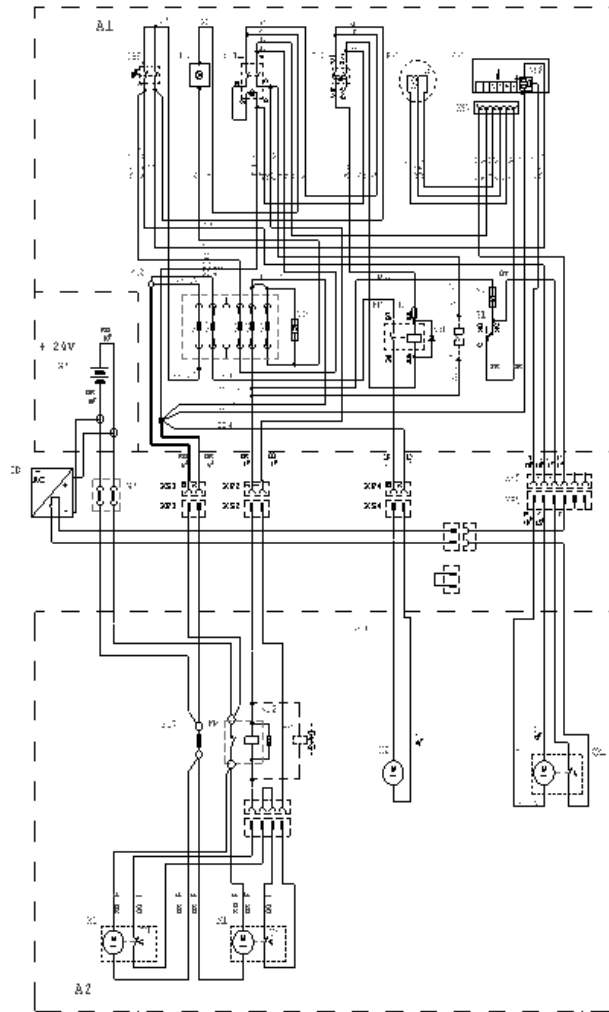
Ref. K	Part N.	Customer Part N.	Description	Qty	Validity:		Price
					From	To	
0001	VTVT13938		SCREW TE 8X20 UNI5739 INX	2,00	12/2004	--	--
0002	VTRS01080		WASHER D. 8 GRW	6,00	12/2004	--	--
0003	VTVR48693		INSERT M6 D.9	1,00	12/2004	--	--
0004	MPVR48695		PIN SHK.BK	2,00	12/2004	--	--
0005	VTVT48694		SCREW TCB TC 5 X12 UNI 9707 TZ	2,00	12/2004	--	--
0006	FTAC00036		FILTER IN RETE	1,00		--	--
0010	RCGR00065		TAP F/F 1/2"	1,00	12/2004	--	--
0011	RCDS49622		CONNECTOR OCC 1/2 - 1/2M	1,00	12/2004	--	--
0012	RCDS49623		SCREW G 1/2 L=41.5	1,00	12/2004	--	--
0013	GUVR00213		WASHER GOMMA	2,00	12/2004	--	--
0014	LAFN47895		LEVER SHK-4	1,00	12/2004	--	--
0015	VTRS13947		WASHER D. 8 INX UNI 6592	2,00	12/2004	--	--
0016	VTRS00251		WASHER 4-16 INOX A2	1,00	12/2004	--	--
0017	VTVT00834		SCREW TC+ M.3-6	1,00	12/2004	--	--
0018	VTVT15916		SCREW TE M 8X 16 UNI 5739 A2	4,00	12/2004	--	--
0019	LAFN51087		BRACKET RETROFIT SK 50-55	1,00	12/2004	--	--
0020	MPVR49471		LEVER SHK	1,00	12/2004	--	--
0021	VTVT15143		SCREW TE 6X16 UNI5739	1,00	12/2004	--	--
0022	VTRS00239		WASHER D.6-18	1,00	12/2004	--	--



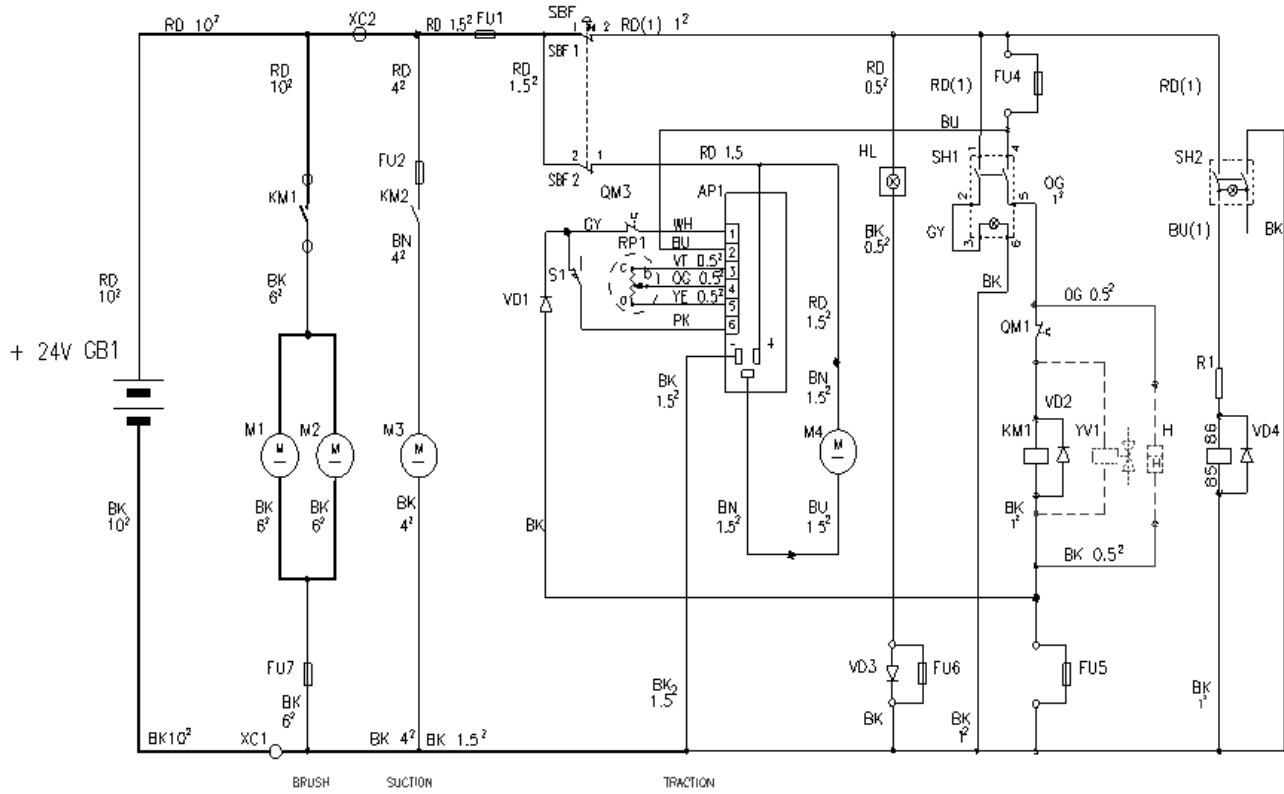
Ref.	K	Part N.	Customer Part N.	Description	Qty	Validity:		Price
						From	To	
0001		VTDD01693		NUT M 5 INX	1,00	04/2004	--	--
0002		VTRS13750		WASHER D. 5X14 INX	1,00	04/2004	--	--
0003		MPVR02702		CAP ASPIRAZIONE	1,00	04/2004	--	--
0004		LAFN05118		ROD GALLEGGIANTE	1,00	04/2004	--	--
0005		VTDD15520		NUT M 6 A2 UNI 5588 INX	3,00	04/2004	--	--
0006		VTVR00212		INSERT	1,00	04/2004	--	--
0007		RCGR00064		FLOATER	1,00	04/2004	--	--
0008		FTAC47474		FILTER SHK	1,00	04/2004	--	--
0009		MPVR03846		SUPPORT GALLEGGIANTE	1,00	04/2004	--	--
0010		GUGO00221		GASKET SUPPORTO GALLEGGIANTE	1,00	04/2004	--	--
0011		VTVT00835		SCREW	3,00	04/2004	--	--
0012		VTVT00805		SCREW TBEI M. 5-10	1,00	04/2004	--	--
0013		VTVT00785		ROD FILETTO	2,00	04/2004	--	--
0020		LAFN51078		SPACER SH	2,00	04/2004	--	--
0021		VTRS13945		WASHER D. 6X18 INX UNI 6593	2,00	04/2004	--	--
0022		VTRS16937		WASHER 6x24 INOX UNI 6593	4,00	04/2004	--	--
0023		MPVR35582		RUBBER LAV.	2,00	04/2004	--	--
0024		MPVR31077		BUSHING L.450	1,00	04/2004	--	--
0025		FSVR00086		CLAMP	1,00	04/2004	--	--
0026		TBFX00217		TUBE	1,00	04/2004	--	--
0027		ITSO00036		SOUND-PROOFING SCARICO ASP.SHARK/PANTHER	1,00	04/2004	--	--
0028		VTDD15518		NUT M 6 INX	2,00	04/2004	--	--
0029		LAFN51076		FLANGE INSONORIZZ.ASPIRATORE	2,00	04/2004	--	--
0030		ITSO00035		SOUND-PROOFING SHARK/PANTHER	1,00	04/2004	--	--
0031		VTVT00892		SCREW	4,00	04/2004	--	--
0032		MOCC00253		MOTOR ASPIR.BIST.24V	1,00	04/2004	--	--
0033		GUVR48858		GASKET SRB.SHK	1,00	04/2004	--	--
0034		GUGO30649		GASKET LAV.DW.	1,00	04/2004	--	--



Ref. K	Part N.	Customer Part N.	Description	Qty	Validity:		Price
					From	To	
0001	ETET00554		ADHESIVE AVVERTENZE	1,00	05/2004	--	--
0002	ETET01369		LABEL LATERALE	2,00	01/2004	--	--
0003	MPVR04074		TANK RECUPERO	1,00	01/2004	--	--
0004	MPVR04070		TANK	1,00	01/2004	--	--
0005	ETET00897		ADHESIVE SIMBOLO PERICOLO	2,00	04/2003	--	--
0006	ETET00898		ADHESIVE SIMBOLO SCHIACCIAMENTO	1,00	05/2004	--	--
0007	ETET02000		LABEL LOGO IPC	1,00	02/2004	--	--
0008	ETET00906		ADHESIVE SIMBOLO PERICOLO DI ABRAS	1,00	04/2003	--	--
0013	PLDC01406		MANUAL	1,00	01/2004	--	--
0014	MIVR00048		TUBE UNIBOL	1,00	05/2004	--	--
0015	ETET00550		ADHESIVE PENDENZA	1,00	04/2003	--	--
0016	ETET00730		LABEL BATTERIE SCOLLEGATE	1,00	04/2003	--	--
0017	ETET00463		ADHESIVE SCARICO ACQUA	1,00	04/2003	--	--
0018	ETET01352		LABEL FUSIBILI	1,00	--	--	--
0019	ETET00763		LABEL SIMBOLO FUSIBILI	1,00	--	--	--
0021	PLDC01398		SPARE PARTS SHARK 60 LINEA 3	1,00	--	--	--
0022	MIVR00064		ENVELOPE PORTA CABLAGGI	1,00	04/2003	--	--
0023	MIVR00072		ENVELOPE PLASTICA TRASP.	1,00	--	--	--
0024	MEVR01079		CONNECTOR CARICABATT.ROSSO	1,00	--	--	--



Ref.	K	Part N.	Customer Part N.	Description	Qty	Validity:		Price
						From	To	
AP1		MECE00390		GEARCASE TRAZ. 24V	1,00			--
FU1		MEVR01136		FUSE 30A	1,00			--
FU2		MEVR01380		FUSE A LAMA	1,00			--
FU4		MEVR01136		FUSE 30A	1,00			--
FU5		MEVR01136		FUSE 30A	1,00			--
FU6		MEVR01136		FUSE 30A	1,00			--
FU7		MEVR42990		FUSE 60A NST.	1,00			--
GD		BACA00096		BATTERY CHARGER230Vac/50Hz:24Vdc	1,00			--
H		MESB00022		HOUR-COUNTER 24V	1,00			--
HL		MECE30652		PCB LAV.FL.	1,00			--
KM1		METT30650		CONTACTOR 24 V	1,00			--
KM2		MERL45196		SWITCH RELAY F7 IN/O 12V 70A	1,00			--
M1		MOCC36311		TRACTION MOTOR DW225 600 W 24V	1,00			--
M2		MOCC00243		MOTOR ASP.TR.24V	1,00			--
M3		MOCC46994		MOTOR SHK.57 24V	1,00			--
R1		MECE00341		RESISTANCE 68R	1,00			--
RP1		MEVR01432		POTENTIOMETER A FILO	1,00			--
S1		MECI00310		MICROSWITCH	1,00			--
SBF		MECI38446		BUTTON D.22 NC	1,00			--
SH1		MECI00336		SWITCH BIPOL.LUMIN.	1,00			--
SH2		MECI30651		SWITCH GIALLO 36V	1,00			--
VD1		MECI00294		DIODE 1N4007	1,00			--
VD2		MECI00294		DIODE 1N4007	1,00			--
VD3		MECI00294		DIODE 1N4007	1,00			--
VD4		MECI00294		DIODE 1N4007	1,00			--
XC1		MEVR01116		SUPPORT FUSIBILE 120 A	1,00			--
XC2		MEVR01227		CLAMP FORBOX E27	1,00			--
XP1		MEVR01294		CONNECTOR STAGNO CPL 2M	1,00			--
XP2		MEVR01283		CONNECTOR STAGNO CPL 2M	1,00			--
XP3		MEVR01079		CONNECTOR CARICABATT.ROSSO	1,00			--
XP4		MEVR01294		CONNECTOR STAGNO CPL 2M	1,00			--
XP5		MEVR01291		CONNECTOR STAGNO CPL 6M	1,00			--
XS1		MEVR01296		CONNECTOR STAGNO CPL 2F 28A	1,00			--
XS2		MEVR01284		CONNECTOR STAGNO CPL 2F	1,00			--
XS4		MEVR01296		CONNECTOR STAGNO CPL 2F 28A	1,00			--
XS5		MEVR01292		CONNECTOR STAGNO CPL 6F	1,00			--
XS6		MEVR36065		CONNECTOR 6 VIE F	1,00			--
YV		MEEV00016		SOLENOID VALVE 24V 14W DC 7250 169	1,00			--



Ref.	K	Part N.	Customer Part N.	Description	Qty	Validity:		Price
						From	To	
AP1		MECE00390		GEARCASE TRAZ. 24V	1,00			--
FU1		MEVR01136		FUSE 30A	1,00			--
FU2		MEVR01380		FUSE A LAMA	1,00			--
FU4		MEVR01136		FUSE 30A	1,00			--
FU5		MEVR01136		FUSE 30A	1,00			--
FU6		MEVR01136		FUSE 30A	1,00			--
FU7		MEVR42990		FUSE 60A NST.	1,00			--
H		MESB00022		HOUR-COUNTER 24V	1,00			--
HL		MECE30652		PCB LAV.FL.	1,00			--
KM1		METT30650		CONTACTOR 24 V	1,00			--
KM2		MERL45196		SWITCH RELAY F7 IN/O 12V 70A	1,00			--
M1		MOCC00240		MOTOR 400 W 2400 G/1' 24V	1,00			--
M2		MOCC00253		MOTOR ASPIR.BIST.24V	1,00			--
M3		MOCC46994		MOTOR SHK.57 24V	1,00			--
R1		MECE00341		RESISTANCE 68R	1,00			--
RP1		MEVR01432		POTENTIOMETER A FILO	1,00			--
S1		MECI00310		MICROSWITCH	1,00			--
SBF		MECI48425		CONTACT 1NC	1,00			--
SBF		MECI38446		BUTTON D.22 NC	1,00			--
SH1		MECI00336		SWITCH BIPOL.LUMIN.	1,00			--
SH2		MECI30651		SWITCH GIALLO 36V	1,00			--
VD1		MECI00294		DIODE 1N4007	1,00			--
VD2		MECI00294		DIODE 1N4007	1,00			--
VD3		MECI00294		DIODE 1N4007	1,00			--
VD4		MECI00294		DIODE 1N4007	1,00			--
XC1		MEVR01116		SUPPORT FUSIBILE 120 A	1,00			--
XC2		MEVR01227		CLAMP FORBOX E27	1,00			--
YV		MEEV00016		SOLENOID VALVE 24V 14W DC 7250 169	1,00			--