



IPC Integrated Professional Cleaning

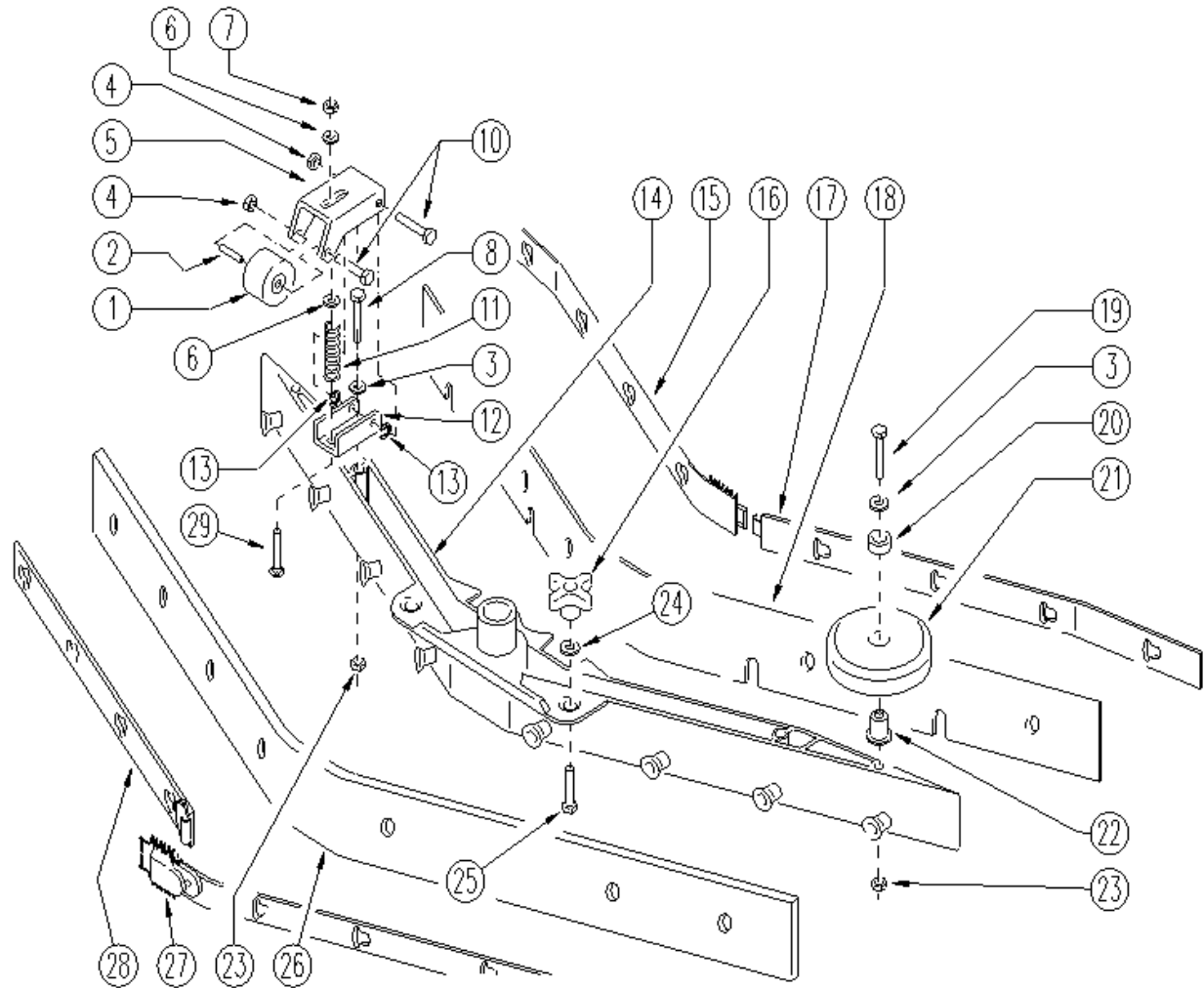
IPC Gansow

Spare Parts List

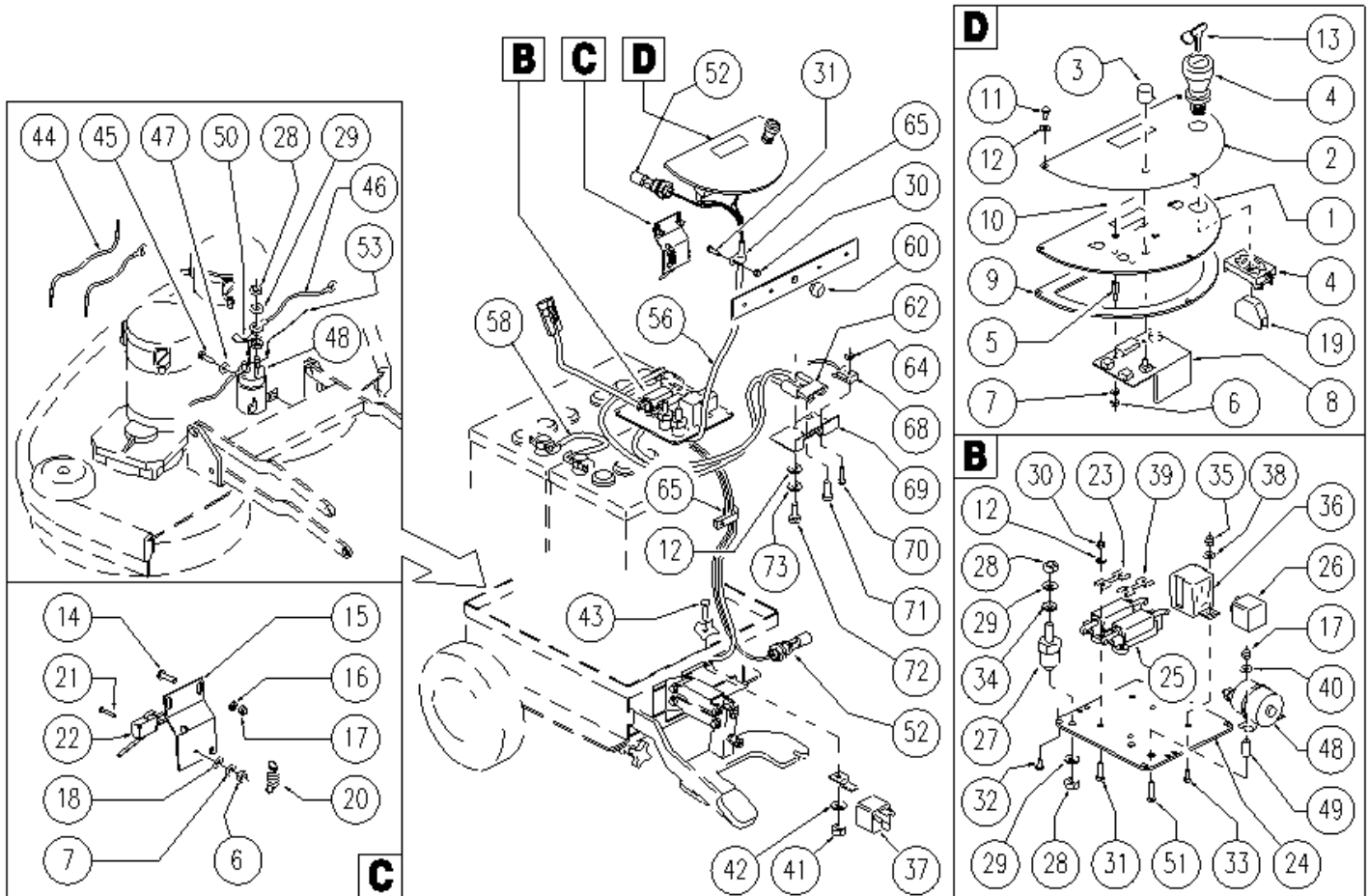
IPC . EAGLE

Ref: LPTB02175

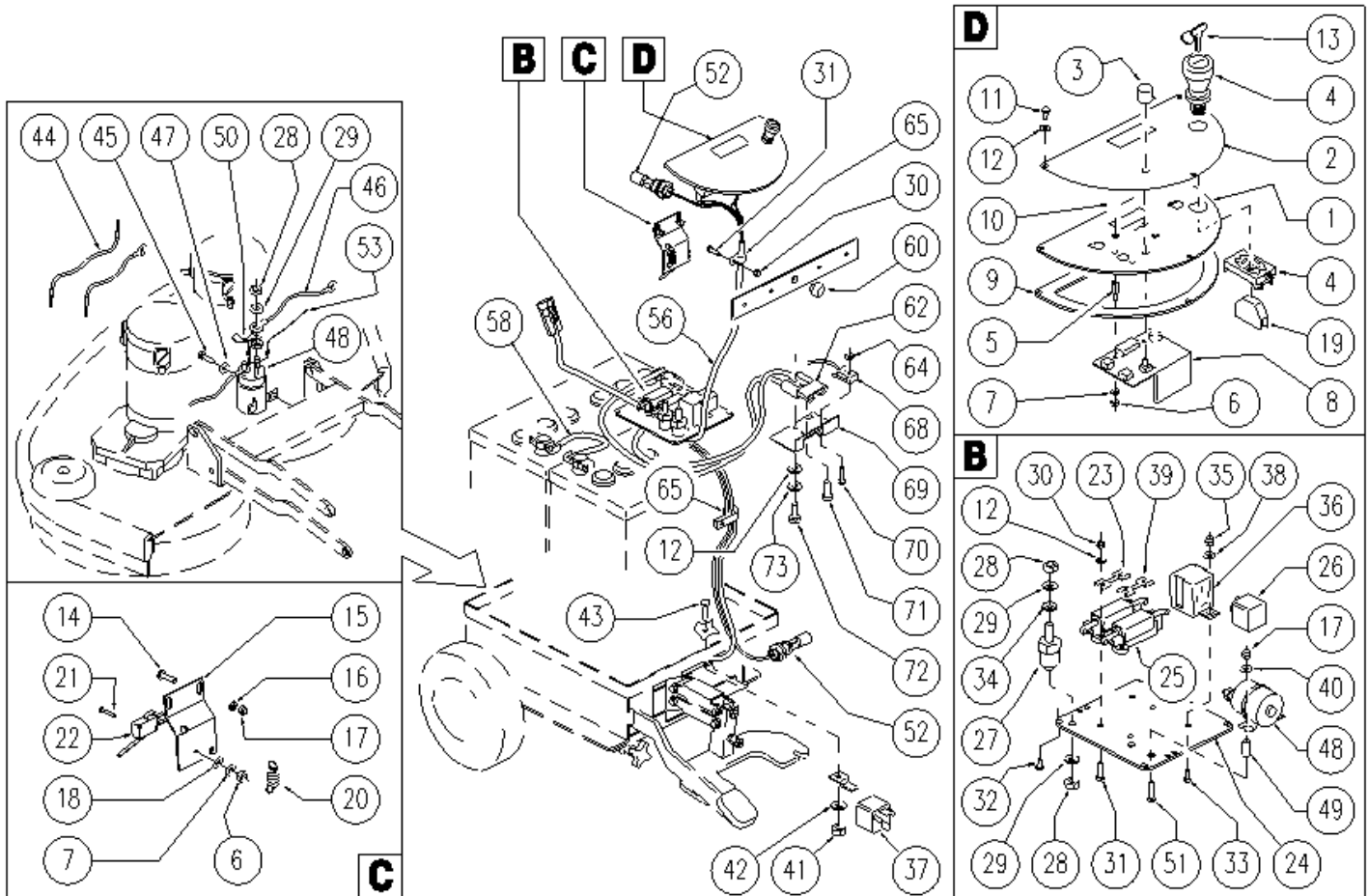
Model: CLEAN TIME 70 BT60



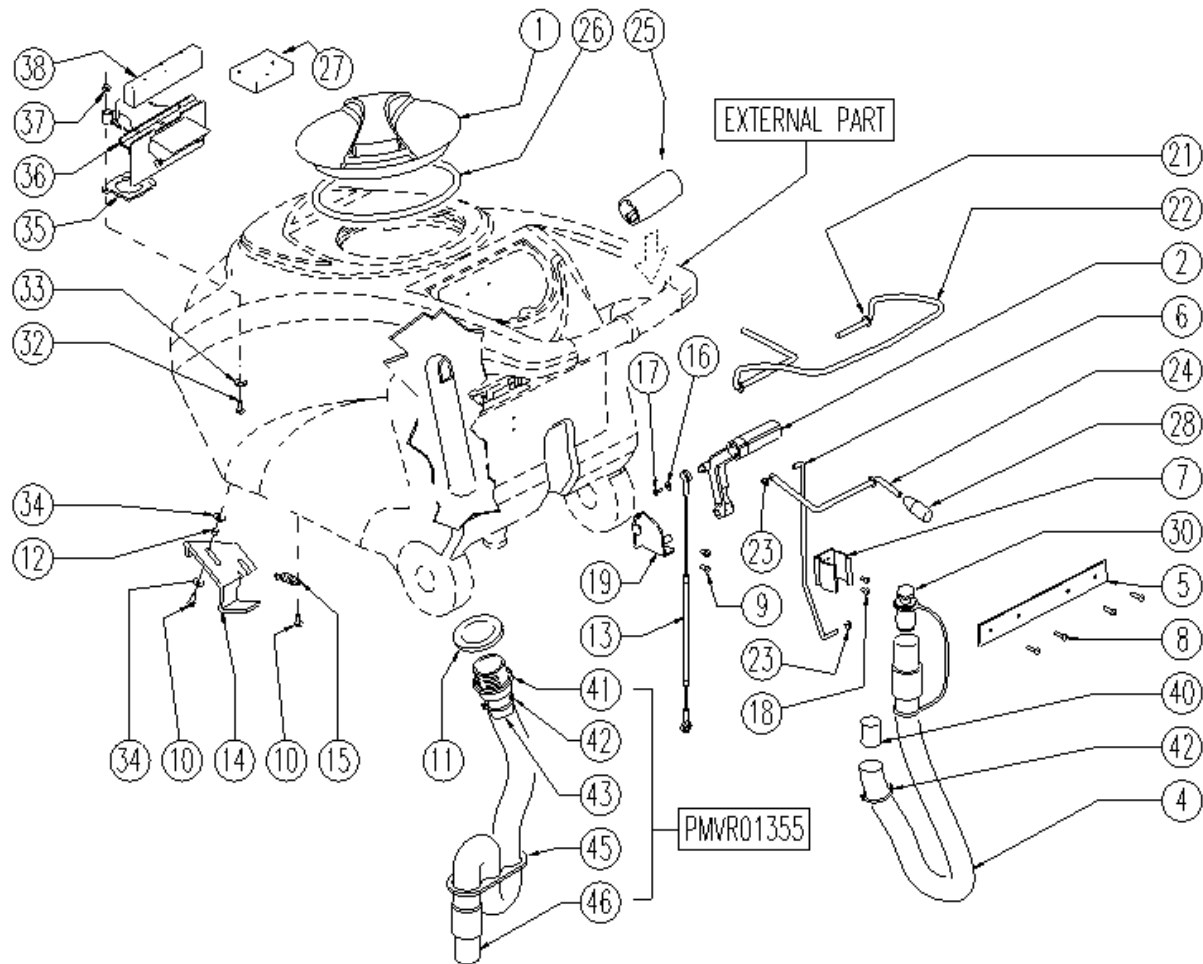
Ref. K	Part N.	Customer Part N.	Description	Qty	Validity:		Price
					From	To	
0001	RTRT49413		WHEEL D. 60-D.15 X36 NYL.	2,00	03/2004		--
0002	LAFN04041		SPACER D6/15	2,00	03/2004		--
0003	VTRS00245		WASHER D.6 UNI 6592 INOX	12,00	03/2004	05/2006	--
0003	VTRS15144		WASHER D. 6 INX GRW UNI 1751	4,00	05/2006		--
0004	VTDD01694		NUT M 6 INX	6,00	03/2004		--
0005	LAFN05559		SUPPORT RUOTINO	2,00	03/2004		--
0006	VTRS13947		WASHER D. 8 INX UNI 6592	4,00	03/2004		--
0007	VTDD01695		NUT M 8 INX	2,00	03/2004		--
0008	VTVT15142		SCREW TE M 6x45 INOX	2,00	03/2004		--
0009	VTRS15144		WASHER D. 6 INX GRW UNI 1751	4,00	03/2004	05/2006	--
0010	VTVT15143		SCREW TE 6X16 UNI5739	4,00	03/2004	05/2006	--
0010	VTVT15515		SCREW TE M 6X 50 INOX A2	4,00	05/2006		--
0011	MLML49422		SPRING D.15X 45 X1	2,00			--
0012	LAFN51069		BRACKET SUPP.RUOTINO SQUEEGEE	2,00			--
0013	VTAE45707		CIRCLIP D. 6 UNI 7434 INOX	4,00			--
0014	MFVR00141		BODY SQUEEGEE PRESSOFUSO "S"	1,00	03/2004		--
0015	LAFN51045		LAMINATION BLOCCA LAMA ANTER.SX S	1,00	03/2004		--
0016	MPVR04164		HANDWHEEL M8 FILETTO PASSANTE	2,00	03/2004		--
0017	LAFN51044		LAMINATION BLOCCA LAMA ANTER.DX S	1,00	03/2004		--
0018	MPVR45194		RUBBER BLADE LAV. 800 ANT.	1,00	03/2004		--
0019	VTVT00655		SCREW TE M. 6-55	2,00			--
0020	MPVR49229		BUSHING SHK	2,00	03/2004		--
0021	RTRT43370		CASTER D.100 2V.	2,00	03/2004		--
0022	LAFN04100		SPACER PER RUOTINO PARACOLPI	2,00	03/2004		--
0023	VTDD15520		NUT M 6 A2 UNI 5588 INX	4,00	03/2004		--
0024	VTAE00074		CIRCLIP D8	2,00	03/2004		--
0025	VTVT01050		SCREW TE M 8X30 INX UNI 5737	2,00	06/2004		--
0026	MPVR45195		RUBBER BLADE LAV. 800 PST.POL.	1,00	03/2004		--
0027	LAFN49284		BLADE HOLDER POSTERIORE DX (S)	1,00	03/2004		--
0028	LAFN49285		BLADE HOLDER POSTERIORE SX (S)	1,00	03/2004		--
0029	VTVT01304		SCREW M 8X 40 TTQST UNI 5731	2,00	05/2006		--



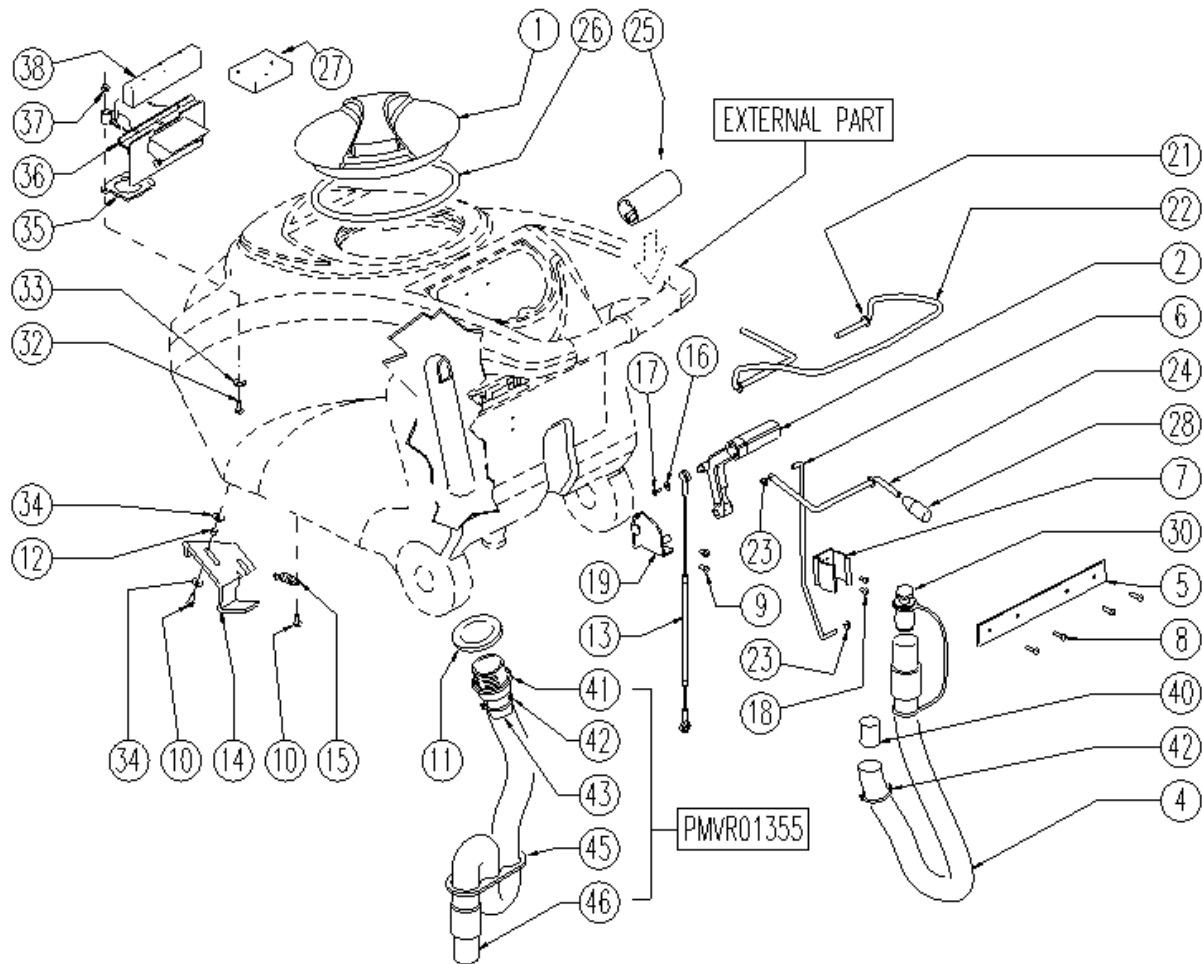
Ref. K	Part N.	Customer Part N.	Description	Qty	Validity:		Price
					From	To	
0001	LAFN06288		SUPPORT PLANCIA COMANDI	1,00			--
0002	ETET01415		LABEL PLANCIA COMANDI	1,00			--
0003	MEVR01666		PLUG FT 80	1,00			--
0004	MECI00323		BUTTON FUNGO	1,00			--
0005	VTVR00481		INSERT FILETTATO M6	3,00			--
0006	VTDD21115		NUT M 3 INOX	5,00			--
0007	VTRS00268		WASHER D.3	5,00			--
0008	MECE00435		BOARD CT40 TRAZIONATA	1,00			--
0009	GUGO38417		GASKET PANN.COM.EXTREME	1,00			--
0010	VTVT00865		SCREW TSP-TC M 3X 6 UNI7688 INX	3,00			--
0011	VTVT37012		SCREW M 4X 10 TCB-TC INX	3,00			--
0012	VTRS00515		WASHER D. 4 INX	9,00			--
0013	CHVR00051		DIASASS.SPANNERPULSANTE FUNGO	1,00			--
0014	VTVT07725		SCREW TE 5X16 UNI5739 INX	2,00			--
0015	LAFN05904		PLATE MICRO LEVA	1,00			--
0016	VTRS00516		WASHER D. 5 INX	2,00			--
0017	VTDD01693		NUT M 5 INX	4,00			--
0018	VTRS21116		WASHER D. 3 INX	2,00			--
0019	MECI00403		CONTACT -	1,00			--
0020	MLML34726		SPRING TR E350 N	1,00			--
0021	VTVT01316		SCREW TC+ M3-16	2,00			--
0022	MECI36393		MICROSWITCH TRZ. DRW	1,00			--
0023	MEVR02887		FUSE 40A NST.	1,00			--
0024	LAFN06822		RING NUT M20X1 ABL	1,00			--
0025	MEVR01332		FUSE-HOLDER	2,00			--
0026	MECE00139		RELAY POTENZA 24V	1,00			--
0027	MEVR01116		SUPPORT FUSIBILE 120 A	1,00			--
0028	VTDD15521		NUT M 8 INX A2 UNI 5588	6,00			--
0029	VTRS01080		WASHER D. 8 GRW	6,00			--
0030	VTDD15925		NUT M 4 INX	4,00			--
0031	VTVT00704		SCREW TE M 4X 16 UNI5739 INOX	6,00			--
0032	VTVT01580		SCREW TC M5X10 UNI7687 INOX	4,00			--
0033	VTVT21096		SCREW TE M 4X 10 INX	1,00			--
0034	VTRS13947		WASHER D. 8 INX UNI 6592	3,00			--
0035	VTDD00147		NUT M 4 INX U.5588	1,00			--
0036	METT00053		BLOCK PORTA RELE'	1,00			--
0037	MECI00005		RELAY 24V 10/20A	1,00			--
0038	VTRS13750		WASHER D. 5X14 INX	1,00			--
0039	MEVR42990		FUSE 60A NST.	1,00			--



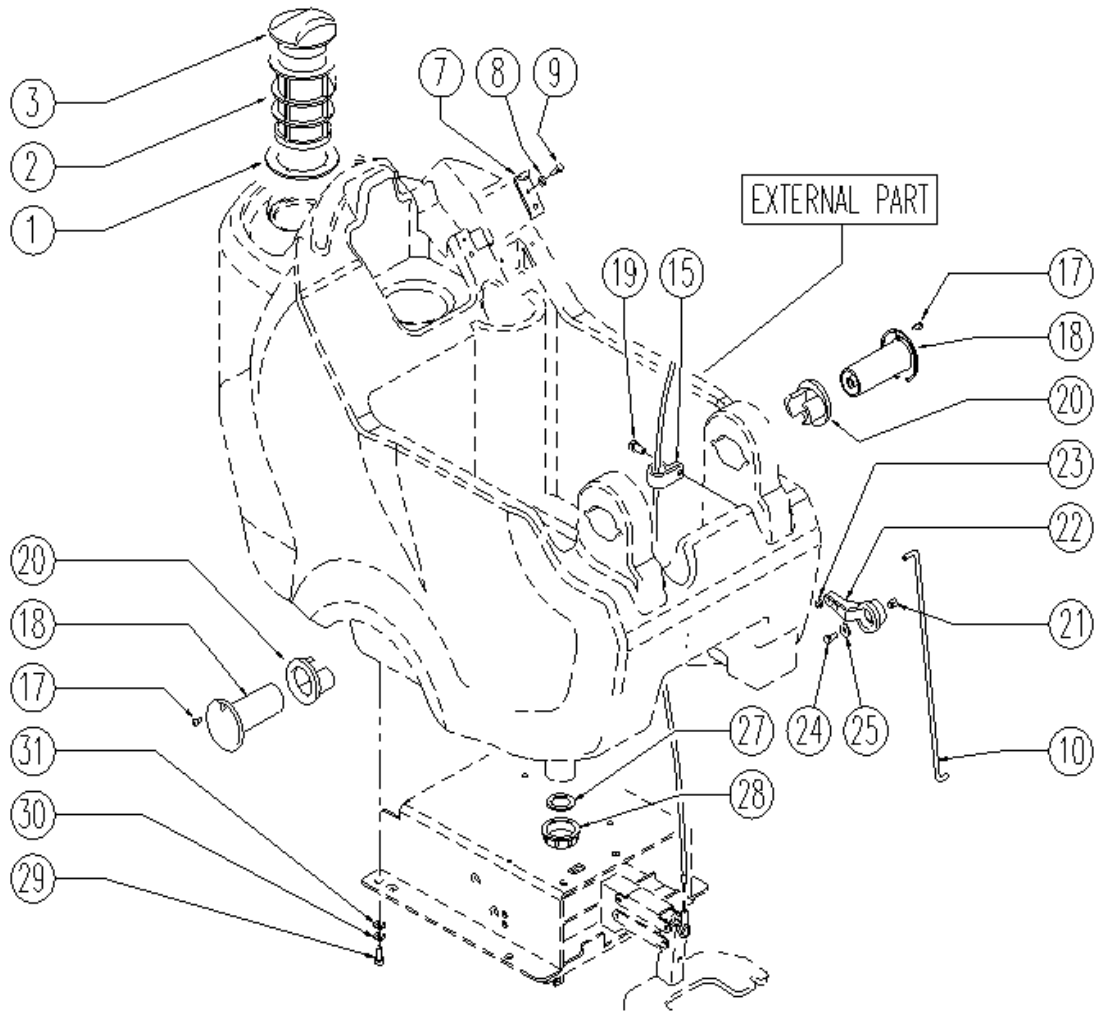
Ref.	K	Part N.	Customer Part N.	Description	Qty	Validity:		Price
						From	To	
0040		VTRS15958		WASHER D. 5 X15 UNI 6593	2,00			--
0041		VTDD01694		NUT M 6 INX	1,00			--
0042		VTRS00245		WASHER D.6 UNI 6592 INOX	1,00			--
0043		VTVT01676		SCREW TSTC UNI 7688 M6X16	1,00			--
0044		MECB01014		CABLE 6,5mmq	2,00			--
0046		MECB00987		WIRING -	1,00			--
0047		VTRS15144		WASHER D. 6 INX GRW UNI 1751	2,00			--
0048		METT45116		CONTACTOR 24V T106 P	2,00			--
0049		LAFN31098		SPACER S. BLOCK B 450	2,00			--
0050		MECB01019		WIRING	1,00			--
0051		VTVT00399		SCREW TE M5x30 UNI 5739	2,00			--
0052		MECI00516		SENSOR DI LIVELLO ORIZZONTALE	2,00			--
0053		MECB01020		WIRING	1,00			--
0054		LAFN35588		BATTERY SUPPORTLAV. BT	1,00			--
0056		MECB01008		ELECTRI.INSTAL.CT 40 BT 24V	1,00			--
0058		MEVR34820		WIRING B 450 BT	1,00			--
0060		MPVR00043		CAP CHIUS.FORO PORTAFUS.L 15	1,00			--
0062		MEVR01707		CONNECTOR -	1,00			--
0064		VTDD08634		NUT	2,00			--
0065		FSVR00099		CLAMP FERMATUBO	2,00			--
0068		MECI00334		MICROSWITCH V4	1,00			--
0069		LAFN06409		SUPPORT -	1,00			--
0070		VTVT00671		SCREW TC- M.2-16 OTTONE	2,00			--
0071		VTVT00872		SCREW TSP+ 2.9X13 AUTOFIL. INOX	1,00			--
0072		VTVT00814		SCREW TE M.4-25	2,00			--
0073		VTRS15913		WASHER D. 4 GROVER A2 UNI1751	2,00			--



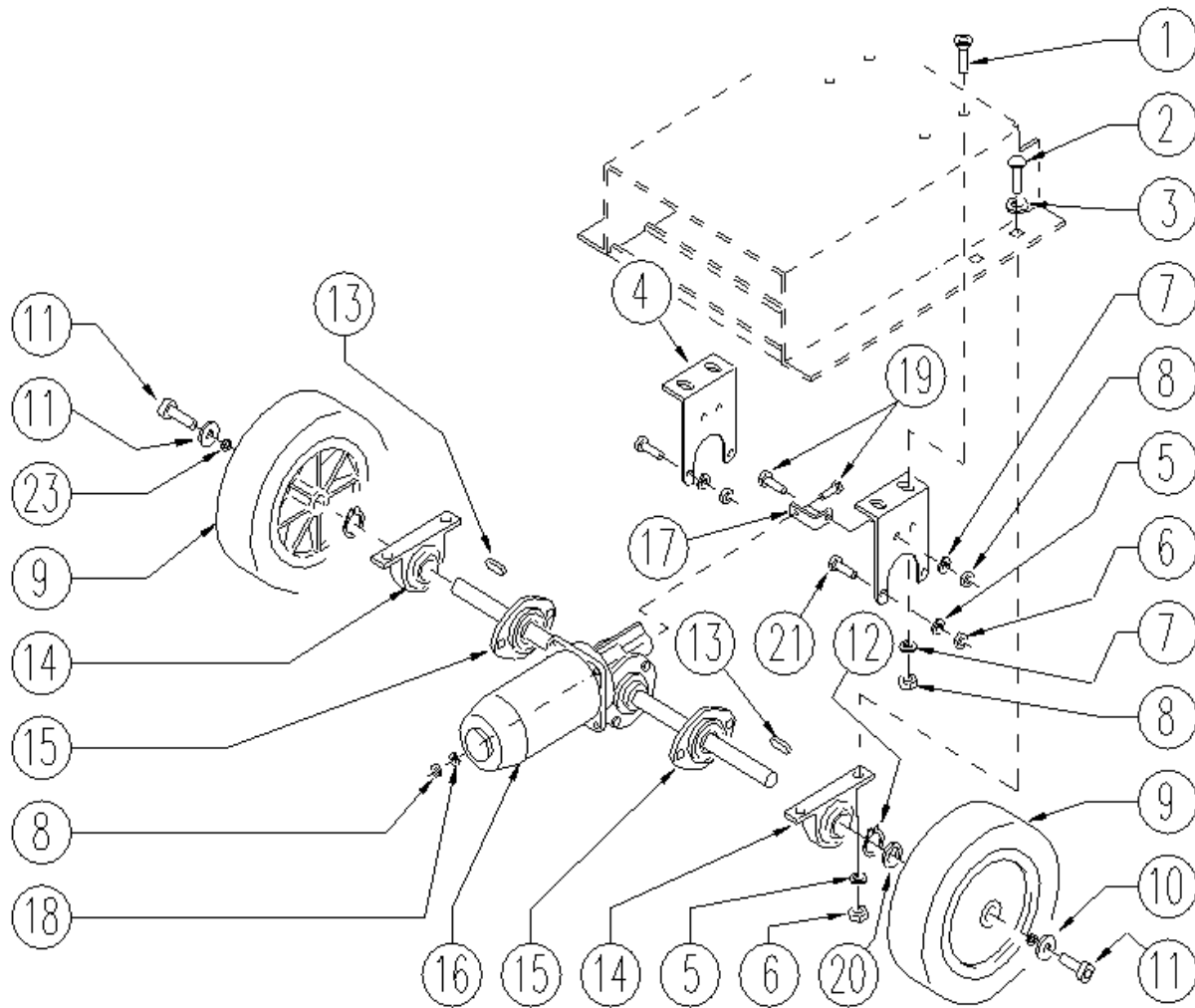
Ref.	K	Part N.	Customer Part N.	Description	Qty	Validity: From To	Price
0001		MPVR04051		TANK CAP	1,00		--
0002		MPVR49942		LEVER SHK PP	1,00		--
0004		TBBP00428		TUBE SCARICO	1,00		--
0005		LAFN05865		PLATE COPRILEVA CONSENSO	1,00		--
0006		LAFN05863		ROD RUBINETTO	1,00		--
0007		MPVR46988		CLIP LAV. SHK	1,00		--
0009		VTVT15906		SCREW TE 6X 12 A2 UNI 5739	2,00		--
0010		VTVT15143		SCREW TE 6X16 UNI5739	3,00		--
0011		GUGO00216		GASKET ACQUA SPORCA	1,00		--
0013		CMCV00312		CABLE SOLLEVAMENTO SQUEEGEE	1,00		--
0014		LAFN06849		HANDLE CT 70	1,00		--
0016		VTRS00251		WASHER 4-16 INOX A2	1,00		--
0017		VTVT00800		SCREW TC 4X12 ZN	1,00		--
0018		VTVT21096		SCREW TE M 4X 10 INX	2,00		--
0019		LAFN05870		BRACKET LEVA SOLLEVAM. SQUEEGEE	1,00		--
0020		PMVR02012		GROUP TUBO TUBO INT. P197	1,00		--
0021		VTRS13947		WASHER D. 8 INX UNI 6592	2,00		--
0022		LAFN05861		LEVER CONSENSO SPAZZOLE	1,00		--
0023		VTDD01694		NUT M 6 INX	2,00		--
0024		LAFN05908		ROD COMANDO RUBINETTO	1,00		--
0025		MPVR05215		KNOB -	2,00		--
0026		GUGO00263		GASKET CIRCOLARE TAPPO	1,00		--
0027		FTDP00133		FILTER ASPIRAZIONE ALLUNG.	1,00		--
0028		MPVR04146		KNOB IN PVC MOD. 1001 FORO D.6	1,00		--
0030		MPVR05064		CAP COMPLETO	1,00		--
0031		MPVR51086		TUBE INT.SERB.RECUP.	1,00		--
0032		VTVT01139		SCREW TE M.4-25	2,00		--
0033		VTRS00515		WASHER D. 4 INX	2,00		--
0034		VTRS00274		WASHER NYLON 66 D.8,4-17-2 UNI	4,00		--
0035		GUGO00417		GASKET SCATOLA ASPIRAZIONE	1,00		--
0036		FTDP00185		BOX ASPIRAZIONE	1,00		--
0037		VTDD15925		NUT M 4 INX	2,00		--
0038		GUGO00418		GASKET CONDOTTO ASPIRAZIONE	1,00		--
0039		PMVR01129		GROUP tubo tigr.d.50 p185	1,00		--
0040		GUGO00245		GASKET	1,00		--
0041		RCVR00586		CONNECTOR 1/4	1,00		--
0042		FSVR43136		CLAMP D. 35-40 DF.	2,00		--
0043		MPVR02765		PROTECTION INNESTO FISSAGGIO	1,00		--
0045		MPVR02730		PLATE SIFONE	1,00		--



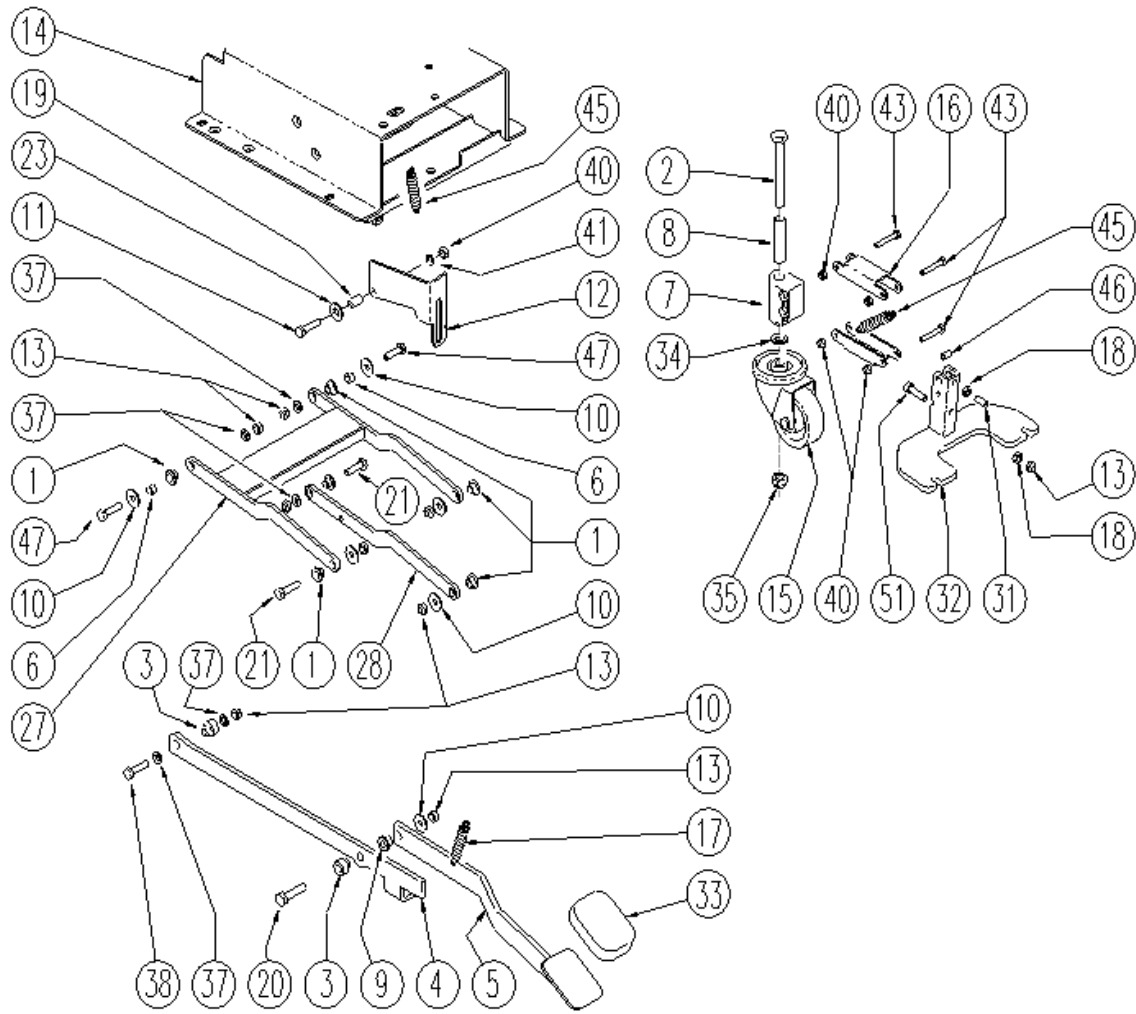
Ref. K	Part N.	Customer Part N.	Description	Qty	Validity:		Price
					From	To	
0046	TBBP00407		TUBE L=850 d.i.350	1,00			--



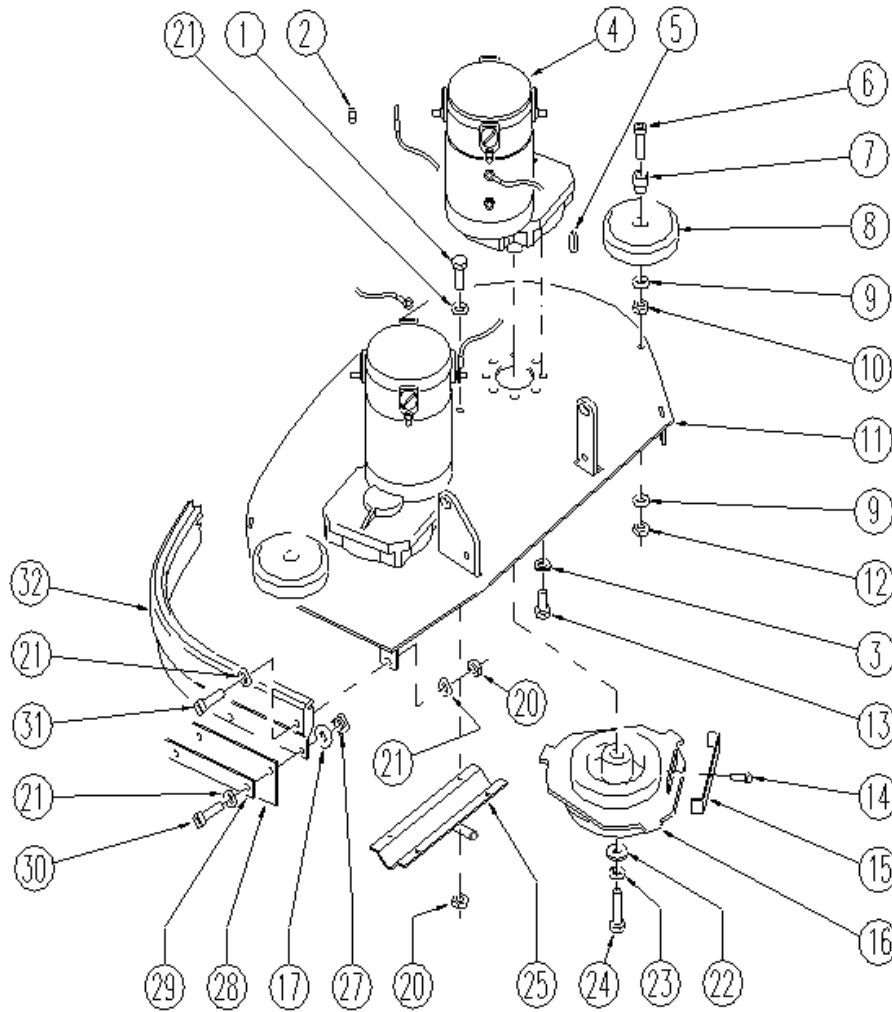
Ref. K	Part N.	Customer Part N.	Description	Qty	Validity:		Price
					From	To	
0001	GUGO00267		GASKET FILTRO	1,00			--
0002	FTAC00040		FILTER -	1,00			--
0003	MPVR05188		CAP -	1,00			--
0008	VTRS15144		WASHER D. 6 INX GRW UNI 1751	1,00			--
0009	VTVT01303		SCREW TE M6-10 INOX	1,00			--
0010	LAFN05862		ROD RUBINETTO	1,00			--
0015	MPVR02933		DUCT LOCK D.9,5	2,00			--
0017	VTVT00754		SCREW TC+ M. 4-10	2,00			--
0018	MPVR48695		PIN SHK.BK	2,00			--
0019	VTVT15961		SCREW M 5X 16 TCB TC UNI 7687	1,00			--
0020	PMVR02028		RUBBER GRUPPO MONTAGGIO	2,00			--
0021	VTVR48693		INSERT M6 D.9	1,00			--
0022	MPVR49471		LEVER SHK	1,00			--
0024	VTVT15143		SCREW TE 6X16 UNI5739	1,00			--
0025	VTRS13945		WASHER D. 6X18 INX UNI 6593	1,00			--
0027	GUGO00416		GASKET TAPPO SCARICO SERB.	1,00			--
0028	MPVR04931		CAP SCARICO	1,00			--
0029	VTVT15916		SCREW TE M 8X 16 UNI 5739 A2	4,00			--
0030	VTRS00269		WASHER D. 8 DIN 6798-A INX A2	4,00			--
0031	VTRS13947		WASHER D. 8 INX UNI 6592	4,00			--



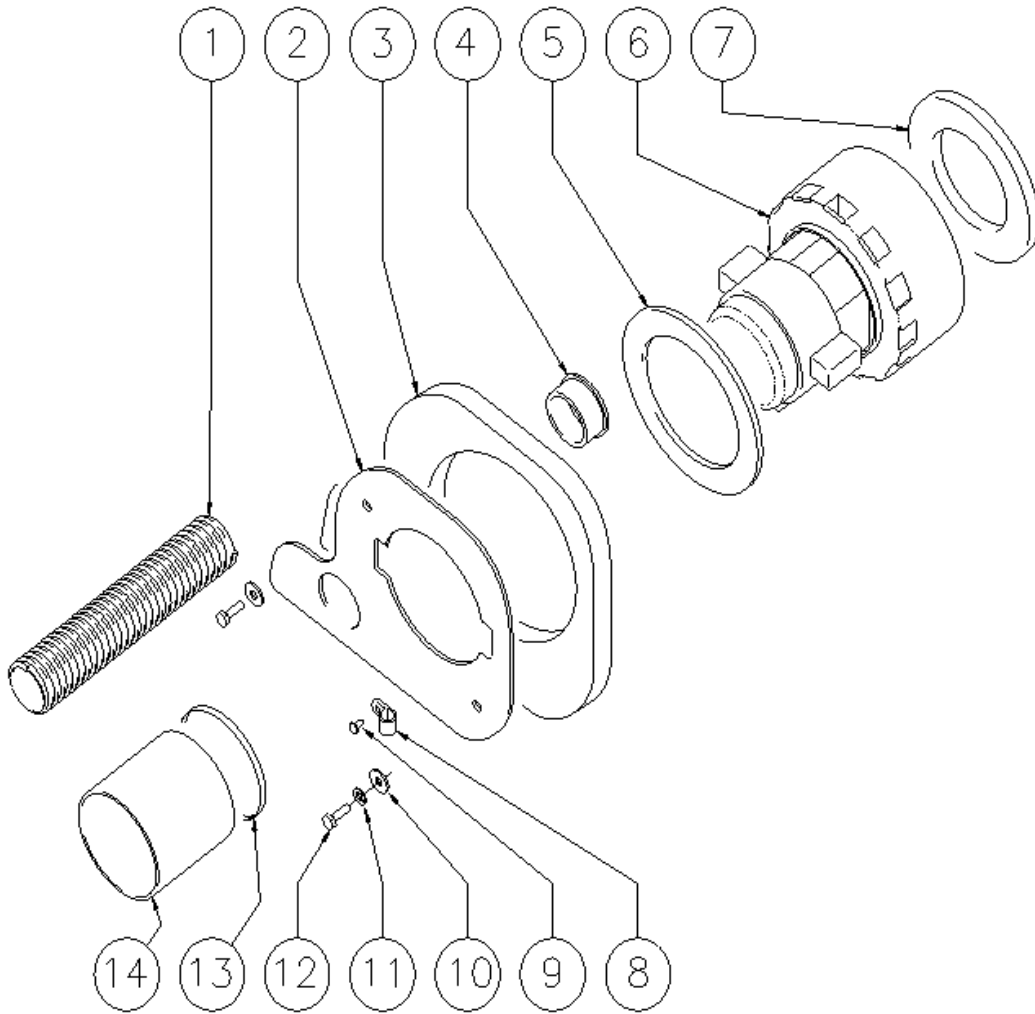
Ref. K	Part N.	Customer Part N.	Description	Qty	Validity:		Price
					From	To	
0001	VTVT13940		SCREW M 6X 20 TSPEI UNI 5933	4,00			--
0002	VTVT00842		SCREW	4,00			--
0003	VTRS15978		WASHER D.12X24 UNI 6592 INX	4,00			--
0004	LAFN09092		BRACKET MOTORE	2,00			--
0005	VTRS13947		WASHER D. 8 INX UNI 6592	8,00			--
0006	VTDD01695		NUT M 8 INX	8,00			--
0007	VTRS13945		WASHER D. 6X18 INX UNI 6593	5,00			--
0008	VTDD01694		NUT M 6 INX	6,00			--
0009	RTRT36352		WHEEL D.200 DRW	2,00			--
0010	VTRS13946		WASHER D. 8 X24 INX UNI 6593	2,00			--
0011	VTVT15916		SCREW TE M 8X 16 UNI 5739 A2	2,00			--
0012	VTAE06193		CIRCLIP D. 20 UNI 7435	2,00			--
0013	VTVR33668		KEY 6x 6x40 UNI 6604A	2,00			--
0014	CUVR00169		BEARING FLANGIA P47	2,00			--
0015	CUVR00105		SUPPORT	2,00			--
0016	MOCC00301		MOTOR AOMPDI 24V 165W 130G	1,00			--
0017	LAFN09093		SMALL SQUARE -	1,00			--
0018	VTRS00245		WASHER D.6 UNI 6592 INOX	1,00			--
0019	VTVT15143		SCREW TE 6X16 UNI5739	2,00			--
0020	VTRS00032		THICKNESS 20,2X28X1 DIN 988	2,00			--
0021	VTVT15907		SCREW TE 8X25 UNI5739 INX	4,00			--
0023	VTRS15146		WASHER D. 8 INX GRW UNI 1751	2,00			--



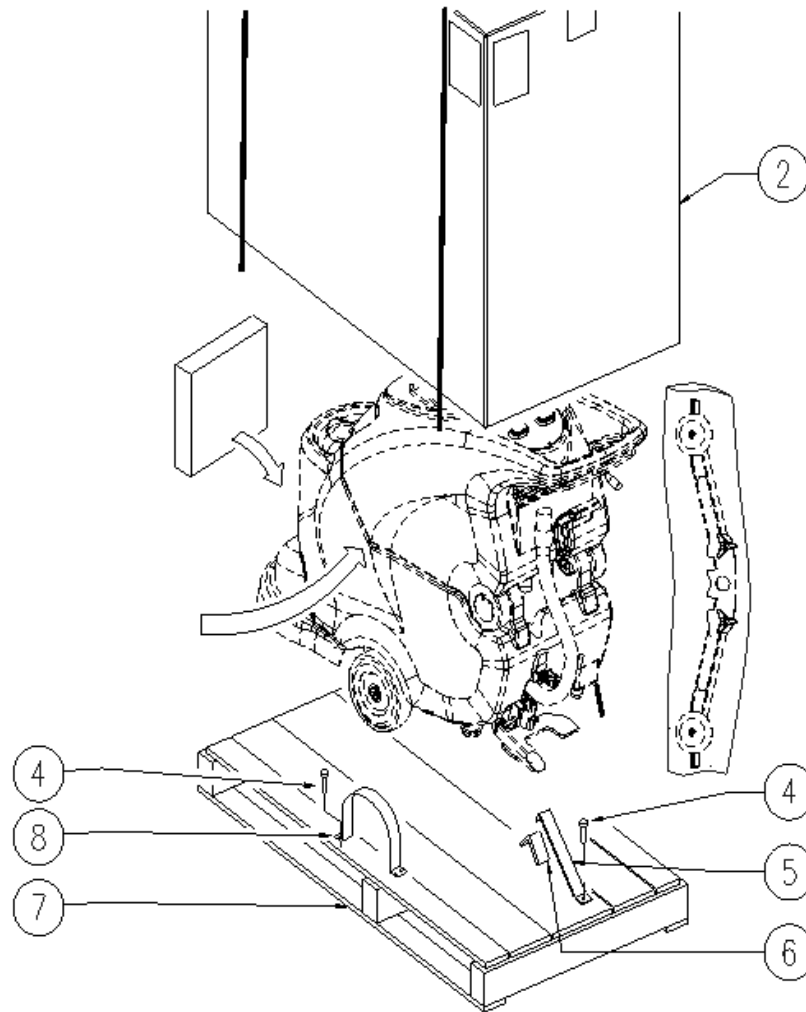
Ref.	K	Part N.	Customer Part N.	Description	Qty	Validity:		Price
						From	To	
0001		LAFN06391		BUSHING PARALLELOGRAMMA	6,00			--
0002		VTVT24212		SCREW TE M.12-100 UNI 5737 INOX	1,00			--
0003		LAFN04190		BUSHING PARALLELOGR.TEST.GR.	2,00			--
0004		LAFN09091		LEVER SOLLEVAMENTO	1,00			--
0005		LAFN06417		LEVER -	1,00			--
0006		RCDS34717		BUSHING D. 9X12X 8.3	2,00			--
0007		MPVR04734		BLOCK TERGI	1,00			--
0008		LAFN04188		PIN ROTAZIONE SQUEEGEE	1,00			--
0009		LAFN51068		BUSHING LEVA POSTER.	1,00			--
0010		VTRS13946		WASHER D. 8 X24 INX UNI 6593	6,00			--
0011		VTVT00161		SCREW TE M6X20	1,00			--
0012		LAFN10124		PLATE	1,00			--
0013		VTDD01695		NUT M 8 INX	8,00			--
0014		LAFN06354		BASE SERBATOIO	1,00			--
0015		RTRT00276		SMALL WHEEL GIREVOLE PER SPAZZANTE	1,00			--
0016		LAFN05853		LEVER ARM SOLLEVAMENTO TERGI	2,00			--
0017		MLML34726		SPRING TR E350 N	1,00			--
0018		VTDD15521		NUT M 8 INX A2 UNI 5588	2,00			--
0019		LAFN03840		BUSHING	1,00			--
0020		VTVT15917		SCREW TE M 8X50 INOX A2 UNI	1,00			--
0021		VTVT15907		SCREW TE 8X25 UNI5739 INX	3,00			--
0023		VTRS00274		WASHER NYLON 66 D.8,4-17-2 UNI	1,00			--
0026		VTDD15925		NUT M 4 INX	1,00			--
0027		LAFN06421		ARM -	1,00			--
0028		LAFN06389		ARM PARALLELOGRAMMA	1,00			--
0031		VTVT00908		GRUB SCREW M.8-25 PIANO	1,00			--
0032		LAFN06355		PLATE SQUEEGEE	1,00			--
0033		MPVR05186		TANK -	1,00			--
0034		VTRS00312		WASHER D.13 x24 INOX	1,00			--
0035		VTDD00176		NUT M.12 INOX A2 BASSO AUTOB.	1,00			--
0037		VTRS13947		WASHER D. 8 INX UNI 6592	4,00			--
0038		VTVT00429		SCREW TE M 8X 40 INX UNI 5737	1,00			--
0040		VTDD01694		NUT M 6 INX	5,00			--
0041		VTRS00245		WASHER D.6 UNI 6592 INOX	1,00			--
0043		VTVT15145		SCREW TE 6X40 UNI5739 INX	4,00			--
0045		MLML00303		SPRING REGISTRAZIONE FLAP	1,00			--
0046		LAFN03742		SPACER SILENZIATORE	2,00			--
0047		VTVT13937		SCREW TE M 8X 30 INX UNI 5739	2,00			--
0051		VTVT00822		SCREW TCEI M 8-30	1,00			--



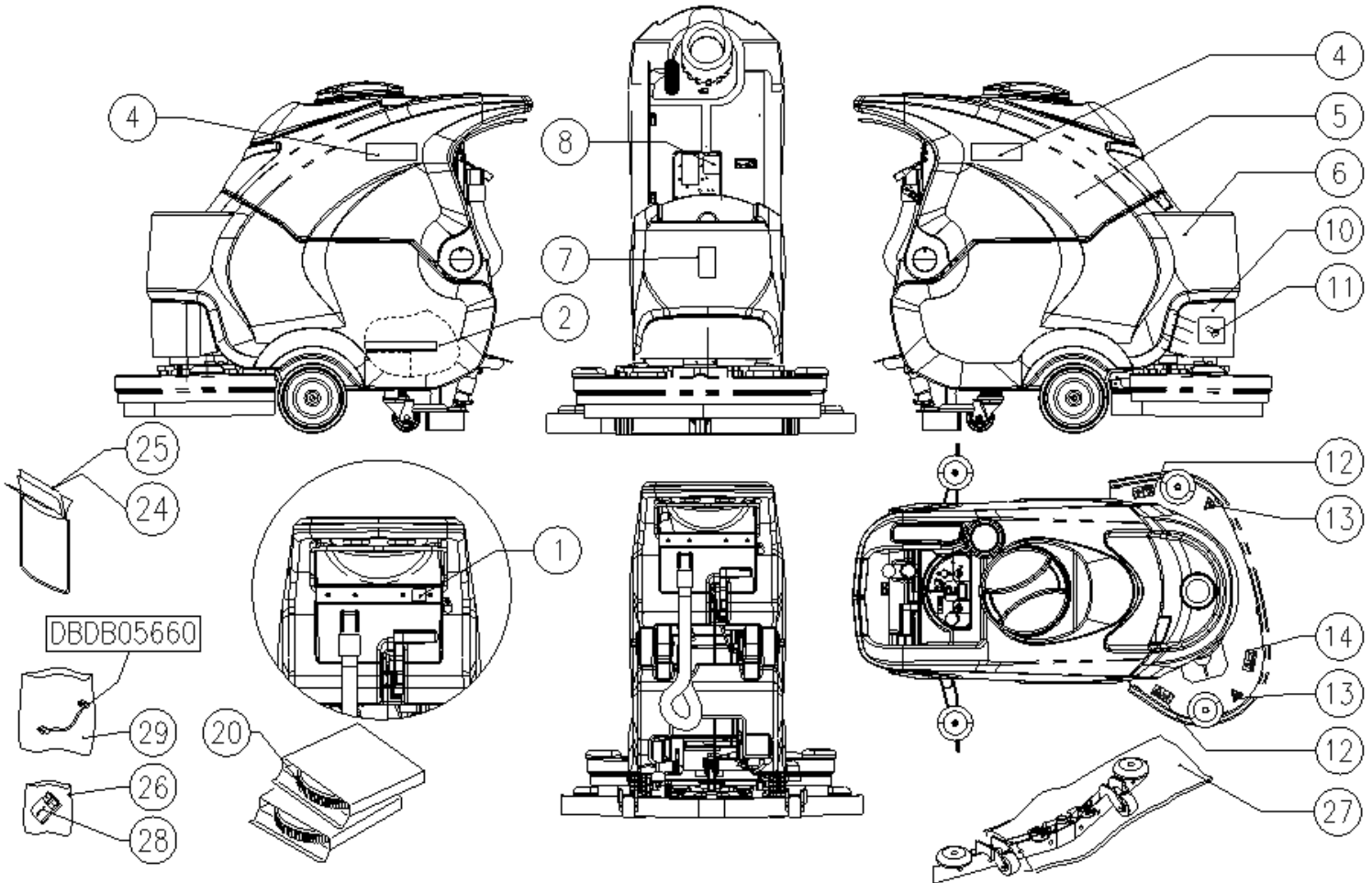
Ref. K	Part N.	Customer Part N.	Description	Qty	Validity:		Price
					From	To	
0001	VTVT15143		SCREW TE 6X16 UNI5739	4,00			--
0002	VTDD13942		NUT M 6 UNI 5587 INX	4,00			--
0003	VTRS15144		WASHER D. 6 INX GRW UNI 1751	18,00			--
0004	MOCC00315		MOTOR MRP6 1/10 210G/ 24V W300	2,00			--
0005	VTVR21944		KEY 6X6X30	2,00			--
0006	VTVT00775		SCREW TCEI M 8X40 ZC.BK UNI5931	2,00			--
0007	LAFN03915		BUSHING NUOVO RUOTINO STRONG	2,00			--
0008	RTRT43370		CASTER D.100 2V.	2,00			--
0009	VTRS13947		WASHER D. 8 INX UNI 6592	4,00			--
0010	VTDD15521		NUT M 8 INX A2 UNI 5588	2,00			--
0011	LAFN09087		HEAD 60	1,00			--
0012	VTDD01695		NUT M 8 INX	2,00			--
0013	VTVT15906		SCREW TE 6X 12 A2 UNI 5739	14,00			--
0014	VTVT21887		SCREW TCB-TC 4X10 8112	2,00			--
0015	MLML00230		SPRING ANTISGANCIO 70 X FLANGIA	2,00			--
0016	MFVR00133		FLANGE TRASC. SPAZZOLA	2,00			--
0017	MPVR35582		RUBBER LAV.	8,00			--
0020	VTDD01694		NUT M 6 INX	7,00			--
0021	VTRS13945		WASHER D. 6X18 INX UNI 6593	18,00			--
0022	VTRS13946		WASHER D. 8 X24 INX UNI 6593	2,00			--
0023	VTRS15146		WASHER D. 8 INX GRW UNI 1751	2,00			--
0024	VTVT13938		SCREW TE 8X20 UNI5739 INX	2,00			--
0025	LAFN07235		DISTRIBUTOR 60	1,00			--
0027	VTDD00175		NUT M.6 TONDO FILET.4 PUNTE	8,00			--
0028	MPVR04746		FLAP	2,00			--
0029	MPVR05207		SHEET METAL PA.FLAP	2,00			--
0030	VTVT15143		SCREW TE 6X16 UNI5739	8,00			--
0031	VTVT00392		SCREW M6x35 UNI5739 inox	3,00			--
0032	MPVR05231		BUMPER -	1,00			--



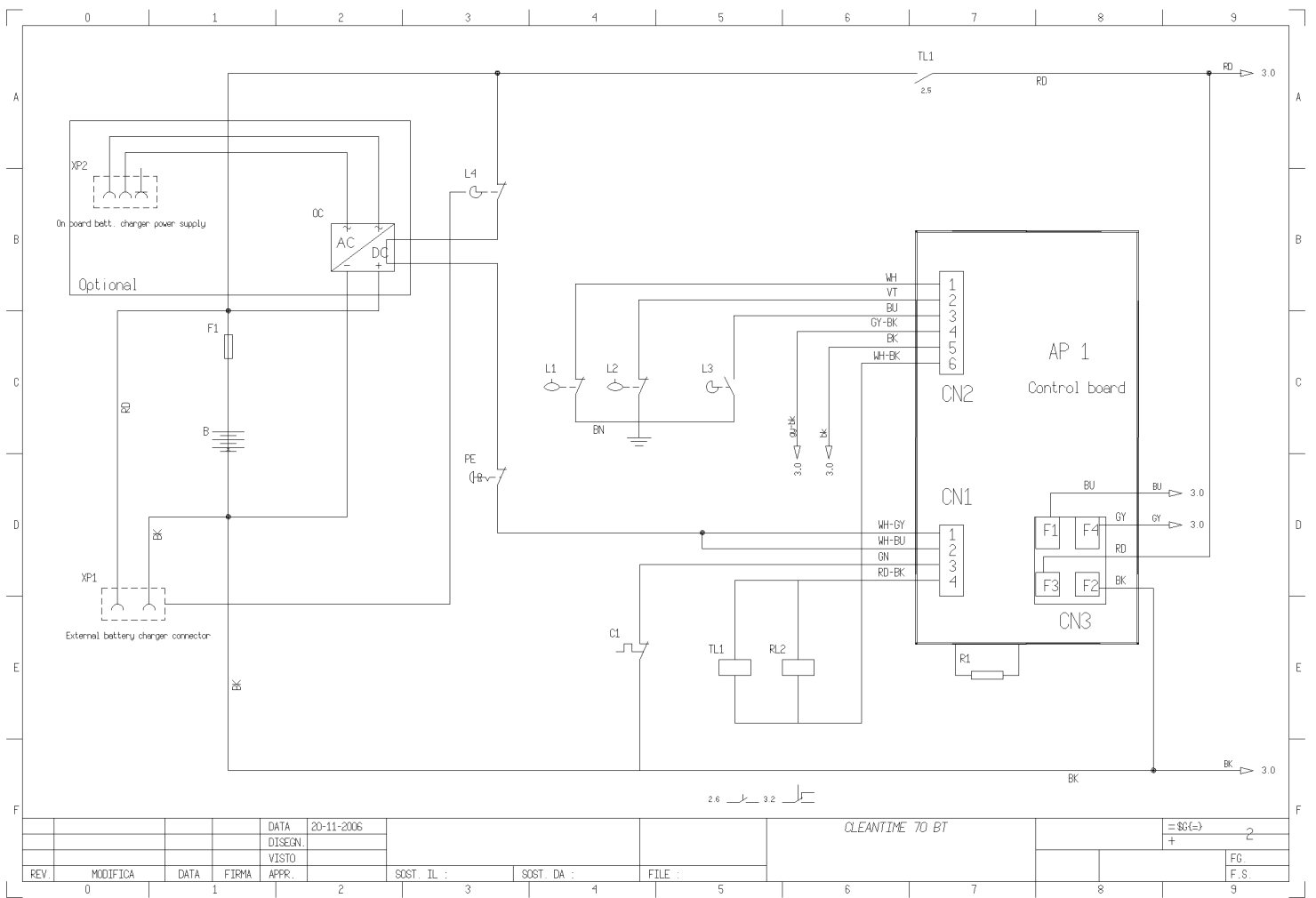
Ref. K	Part N.	Customer Part N.	Description	Qty	Validity:		Price
					From	To	
0001	TBFX00244		TUBE D 34 L200MM	1,00			--
0002	LAFN06363		FLANGE ASPIRATORE	1,00			--
0003	MPVR05103		SOUND-PROOFING ASPIRATORE	1,00			--
0004	MPVR31077		BUSHING L.450	1,00			--
0005	MPVR04724		FLANGE IN NYLON	1,00			--
0006	MOCC00253		MOTOR ASPIR.BIST.24V	1,00			--
0007	GUGO00272		GASKET	1,00			--
0008	FSVR00099		CLAMP FERMATUBO	1,00			--
0009	VTVT00813		SCREW M 4X 8 TCB-TC UNI 8112	1,00			--
0010	VTRS13945		WASHER D. 6X18 INX UNI 6593	2,00			--
0011	VTRS15144		WASHER D. 6 INX GRW UNI 1751	2,00			--
0012	VTVT15143		SCREW TE 6X16 UNI5739	2,00			--
0013	FSVR00500		CLAMP 80-100 INOX	1,00			--
0014	TBFX00268		SUCTION HOSE D80 L=80MM	1,00			--



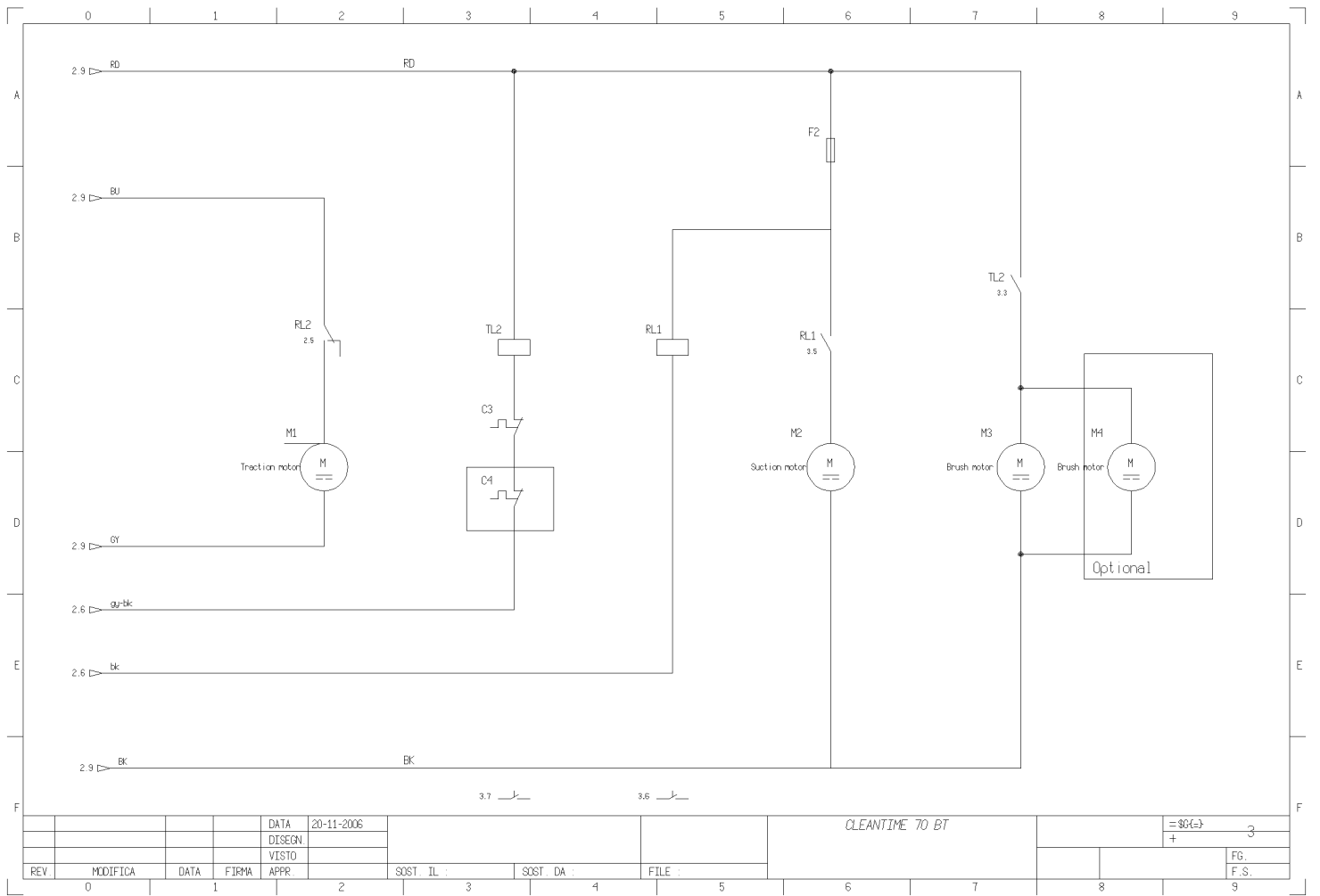
Ref. K	Part N.	Customer Part N.	Description	Qty	Validity:		Price
					From	To	
0002	MICT00196		BOX	1,00			--
0004	VTVT00043		SCREW AUTOF.LEGNO 4,5X25 TS BR	9,00			--
0005	MIVR00137		CLAMP RUOTA POSTERIORE X IMBAL.	1,00			--
0007	MIBA00054		PALLET Scrubber 40/62B/BF/A	1,00			--
0008	MIVR00135		CLAMP RUOTA POSTERIORE X IMBAL.	2,00			--



Ref. K	Part N.	Customer Part N.	Description	Qty	Validity:		Price
					From	To	
0001	ETET01447		LABEL	1,00			--
0002	LAFN35588		BATTERY SUPPORTLAV. BT	1,00			--
0004	ETET01484		LABEL LATERALE	2,00			--
0005	MPVR07009		TANK RECUPERO CT75	1,00			--
0006	MPVR07010		TANK SOLUZIONE CT75	1,00			--
0007	ETET01487		LABEL -	1,00			--
0008	ETET00763		LABEL SIMBOLO FUSIBILI	1,00			--
0010	MPVR05209		COVER 60-70	1,00			--
0012	ETET00906		ADHESIVE SIMBOLO PERICOLO DI ABRAS	2,00			--
0013	ETET00897		ADHESIVE SIMBOLO PERICOLO	2,00			--
0014	ETET00898		ADHESIVE SIMBOLO SCHIACCIAMENTO	1,00			--
0020	SPPV00428		BRUSH NYLON D310	2,00			--
0024	PLDC01602		INSTR.MANUAL CLEANTIME 350	1,00			--
0026	MIVR00072		ENVELOPE PLASTICA TRASP.	1,00			--
0027	MIVR00048		TUBE UNIBOL	1,00			--
0028	MEVR01079		CONNECTOR CARICABATT.ROSSO	1,00			--
0029	MIVR00064		ENVELOPE PORTA CABLAGGI	1,00			--



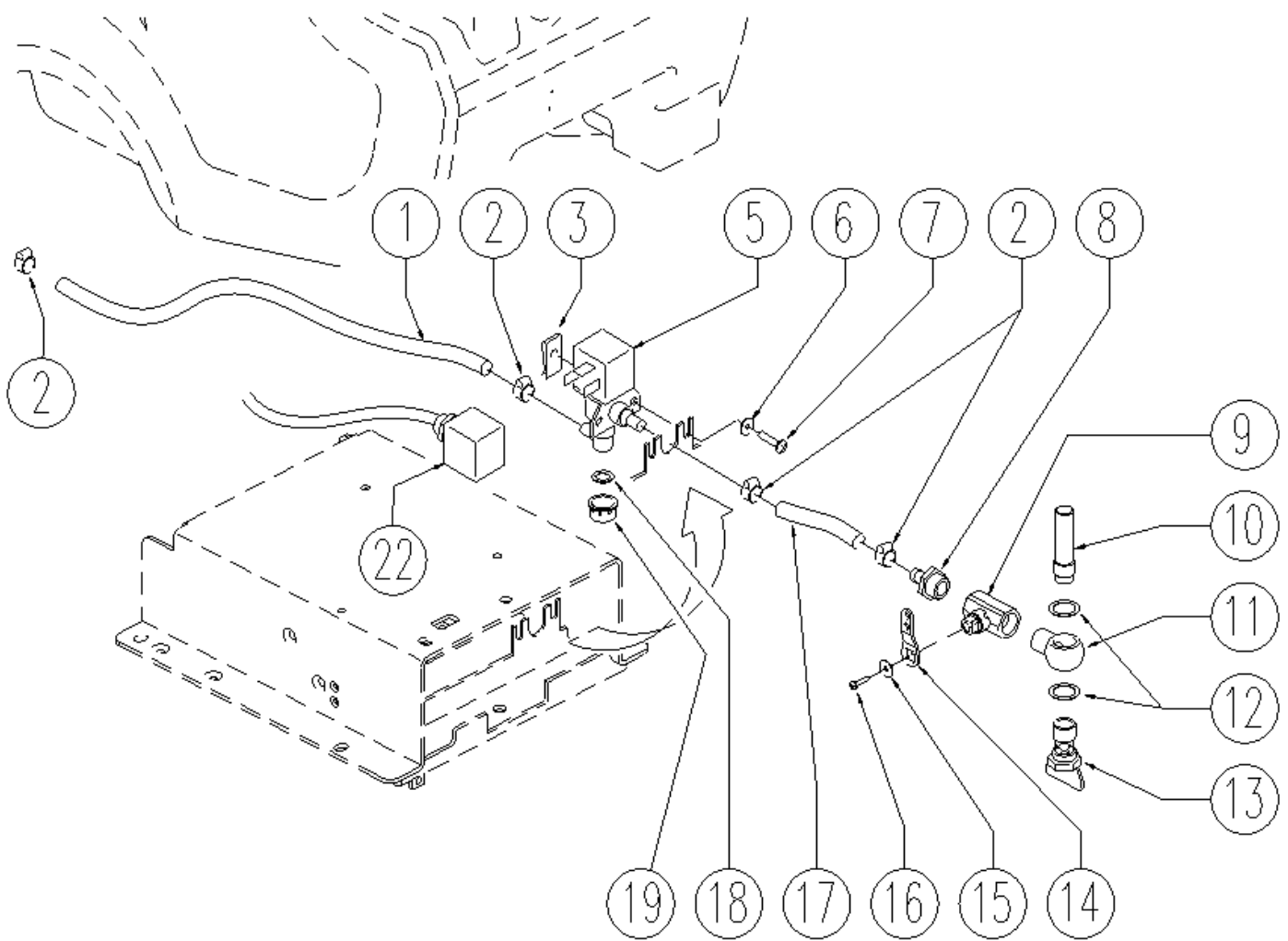
Ref. K	Part N.	Customer Part N.	Description	Qty	Validity:	Price
					From	To
AP1	MECE00435		BOARD CT40 TRAZIONATA	1,00		--
F1	MEVR01332		FUSE-HOLDER	1,00		--
F2	MEVR01332		FUSE-HOLDER	1,00		--
L1	MECI00516		SENSOR DI LIVELLO ORIZZONTALE	1,00		--
L2	MECI00516		SENSOR DI LIVELLO ORIZZONTALE	1,00		--
L3	MECI36393		MICROSWITCH TRZ. DRW	1,00		--
L4	MECI00334		MICROSWITCH V4	1,00		--
M1	MOCC00301		MOTOR AOMPDI 24V 165W 130G	1,00		--
M2	MOCC00253		MOTOR ASPIR.BIST.24V	1,00		--
M3	MOCC00315		MOTOR MRP6 1/10 210G/ 24V W300	1,00		--
M4	MOCC00315		MOTOR MRP6 1/10 210G/ 24V W300	1,00		--
PE	MECI00402		BUTTON A FUNGO	1,00		--
PE	MECI00403		CONTACT -	1,00		--
RL1	MECE00139		RELAY POTENZA 24V	1,00		--
RL2	MECI00005		RELAY 24V 10/20A	1,00		--
TL1	METT45116		CONTACTOR 24V T106 P	1,00		--
TL2	METT45116		CONTACTOR 24V T106 P	1,00		--



Ref. K	Part N.	Customer Part N.	Description	Qty	Validity: From To	Price
AP1	MECE00435		BOARD CT40 TRAZIONATA	1,00		--
F1	MEVR01332		FUSE-HOLDER	1,00		--
F2	MEVR01332		FUSE-HOLDER	1,00		--
L1	MECI00516		SENSOR DI LIVELLO ORIZZONTALE	1,00		--
L2	MECI00516		SENSOR DI LIVELLO ORIZZONTALE	1,00		--
L3	MECI36393		MICROSWITCH TRZ. DRW	1,00		--
L4	MECI00334		MICROSWITCH V4	1,00		--
M1	MOCC00301		MOTOR AOMPDI 24V 165W 130G	1,00		--
M2	MOCC00253		MOTOR ASPIR.BIST.24V	1,00		--
M3	MOCC00315		MOTOR MRP6 1/10 210G/ 24V W300	1,00		--
M4	MOCC00315		MOTOR MRP6 1/10 210G/ 24V W300	1,00		--
PE	MECI00402		BUTTON A FUNGO	1,00		--
PE	MECI00403		CONTACT -	1,00		--
RL1	MECE00139		RELAY POTENZA 24V	1,00		--
RL2	MECI00005		RELAY 24V 10/20A	1,00		--
TL1	METT45116		CONTACTOR 24V T106 P	1,00		--
TL2	METT45116		CONTACTOR 24V T106 P	1,00		--

0	1	2	3	4	5	6	7	8	9		
Sim.\Sym	Sigla\Item	Funzione\Use	Type	Sim.\Sym	Sigla\Item	Funzione\Use	Type	Sim.\Sym	Sigla\Item	Funzione\Use	Type
	B =06 2	24V battery			M2 =06 3	Suction motor			XP2 =06 2	On board batt. charger power supply	
	C1 =06 2	Termical control traction motor			M3 =06 3	Brush motor					
	C3 =06 3	Termical control brush motor			M4 =06 3	Brush motor					
	C4 =06 3	Termical control optional brush motor			OC =06 2	On board battery charger (option)					
	F1 =06 2	Main Fuse			PE =06 2	On / OFF key button					
	F2 =06 3	Suction motor Fuse Suction motor fuse			R1 =06 2	Resistance on control board					
	L1 =06 2	Clean H2O level switch Level switch Fluid			RL1 =06 3	Suction motor relay Command relay on suction motor					
	L2 =06 2	Dirty H2= level switch			RL2 =06 2	Traction contactor					
	L3 =06 2	Traction enable switch			TL1 =06 2	Main contactor					
	L4 =06 2	External Battery charger connector switch			TL2 =06 3	Brush motor contactor Brush motor contactor					
	M1 =06 3	Traction motor			XP1 =06 2	External battery charger connector					
		DATA	20-11-2006			CLEANTIME 70 BT			= 80(-) 4		
		DISEGN.							+		
		VISTO									
REV.	MODIFICA	DATA	FIRMA	APPR.	SOST. IL :	SOST. DA :	FILE :			F6.	
0										F.S.	

Ref. K	Part N.	Customer Part N.	Description	Qty	Validity: From To	Price
AP1	MECE00435		BOARD CT40 TRAZIONATA	1,00		--
F1	MEVR01332		FUSE-HOLDER	1,00		--
F2	MEVR01332		FUSE-HOLDER	1,00		--
L1	MECI00516		SENSOR DI LIVELLO ORIZZONTALE	1,00		--
L2	MECI00516		SENSOR DI LIVELLO ORIZZONTALE	1,00		--
L3	MECI36393		MICROSWITCH TRZ. DRW	1,00		--
L4	MECI00334		MICROSWITCH V4	1,00		--
M1	MOCC00301		MOTOR AOMPDI 24V 165W 130G	1,00		--
M2	MOCC00253		MOTOR ASPIR.BIST.24V	1,00		--
M3	MOCC00315		MOTOR MRP6 1/10 210G/ 24V W300	1,00		--
M4	MOCC00315		MOTOR MRP6 1/10 210G/ 24V W300	1,00		--
PE	MECI00402		BUTTON A FUNGO	1,00		--
PE	MECI00403		CONTACT -	1,00		--
RL1	MECE00139		RELAY POTENZA 24V	1,00		--
RL2	MECI00005		RELAY 24V 10/20A	1,00		--
TL1	METT45116		CONTACTOR 24V T106 P	1,00		--
TL2	METT45116		CONTACTOR 24V T106 P	1,00		--



Ref. K	Part N.	Customer Part N.	Description	Qty	Validity:		Price
					From	To	
0001	TBFX00308		TUBE L=580MM	1,00			--
0002	FSVR00091		CLAMP 14-24	4,00			--
0003	MLML00002		SPRING PRESTOLA DOPPIA 8P	2,00			--
0004	VTRS00515		WASHER D. 4 INX	2,00			--
0005	MEEV00018		SOLENOID VALVE	1,00			--
0006	VTRS00516		WASHER D. 5 INX	2,00			--
0007	VTVT48694		SCREW TCB TC 5 X12 UNI 9707 TZ	2,00			--
0008	RCVR00536		CONNECTOR PORTAG.	1,00			--
0009	RCGR00065		TAP F/F 1/2"	1,00			--
0010	FTAC00036		FILTER IN RETE	1,00			--
0011	RCDS49622		CONNECTOR OCC 1/2 - 1/2M	1,00			--
0012	GUVR00213		WASHER GOMMA	2,00			--
0013	RCDS00026		SCREW -	1,00			--
0014	LAFN05902		LEVER RUBINETTO	1,00			--
0015	VTRS00251		WASHER 4-16 INOX A2	1,00			--
0016	VTVT01316		SCREW TC+ M3-16	1,00			--
0017	TBFX00309		TUBE FLEX D.10X3 L=155MM	1,00			--
0018	GUGO00268		GASKET D.21 SP.3 GOMMA	1,00			--
0019	RCVR00353		CAP 1/2"G X ELETTROV. ACL	1,00			--
0022	MECB00916		WIRING ELETTROVALVOLA	1,00			--