

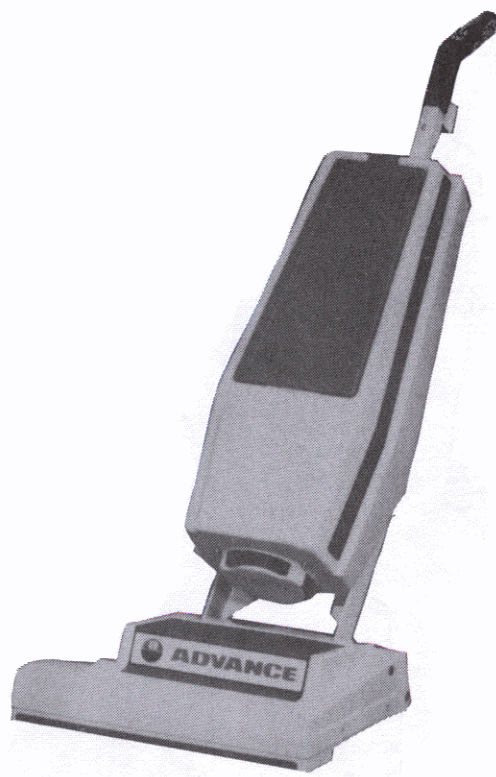
32370 32371

CARPETWIN 14

MODELS 323700, 323705, 323710

THIS PARTS LIST IS FOR MACHINES
AFTER SERIAL NUMBER 380610

PARTS LIST



ADVANCE
MACHINE COMPANY®

INTERNATIONAL HEADQUARTERS, Plymouth, MN 55447-3408
EUROPE, Llantrisant, Pontyclun, Mid-Glamorgan CF7 8YZ Wales, United Kingdom
CANADA, 1295 Crestlawn Drive, Mississauga, Ontario L4W 1A9



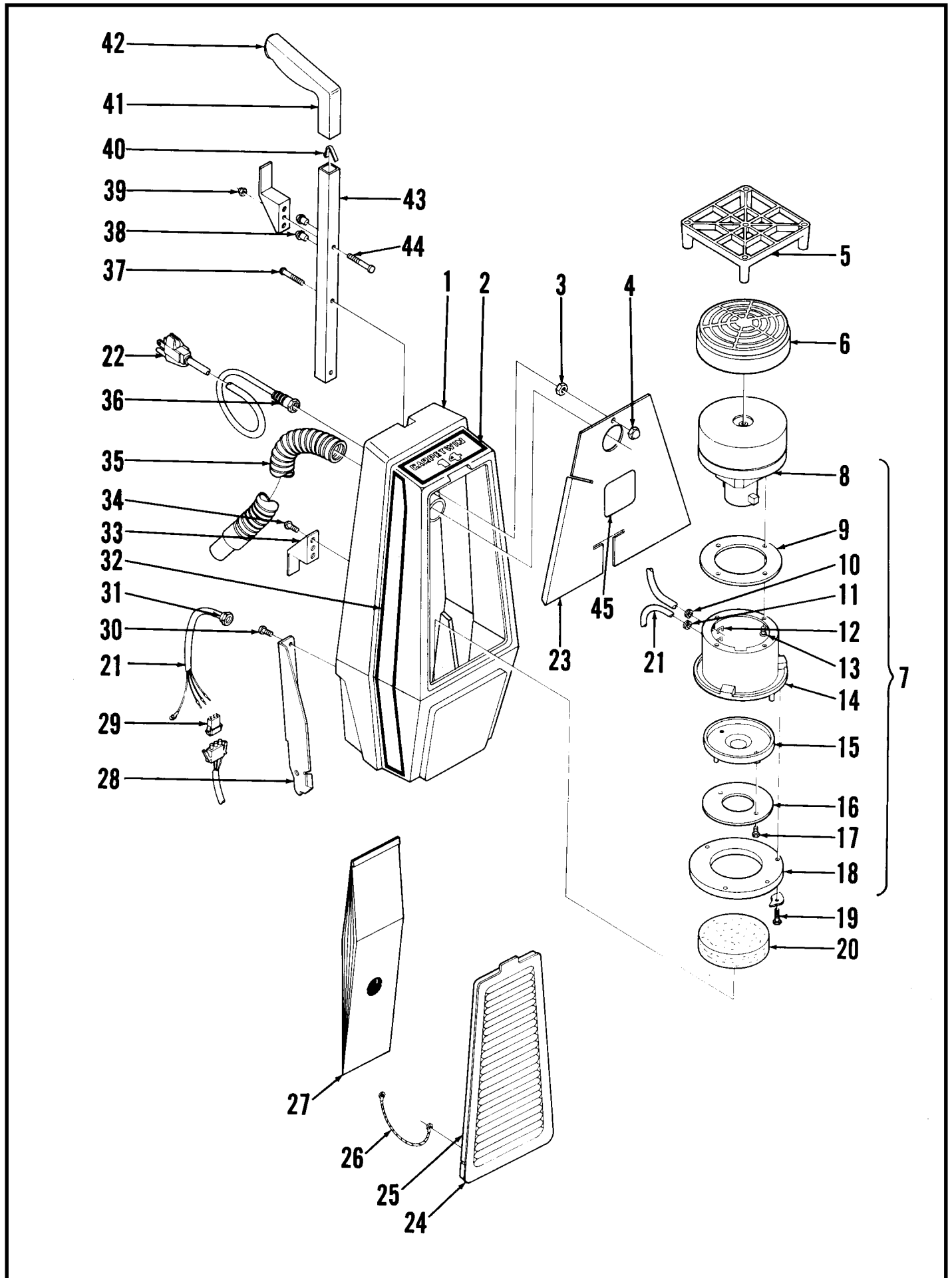
TABLE OF CONTENTS

<u>DESCRIPTION</u>	<u>PAGE</u>
Upper Housing Assembly	1-2
Base Assembly	3-4
Wiring Diagrams	5-6

WHEN ORDERING PARTS

- * Use the 6 digit numbers from the "Part No." columns in this parts list.
- * Specify the model and serial number of the machine.
- * Use the space below to record the model and serial number for future reference.

Model _____ Serial No. _____

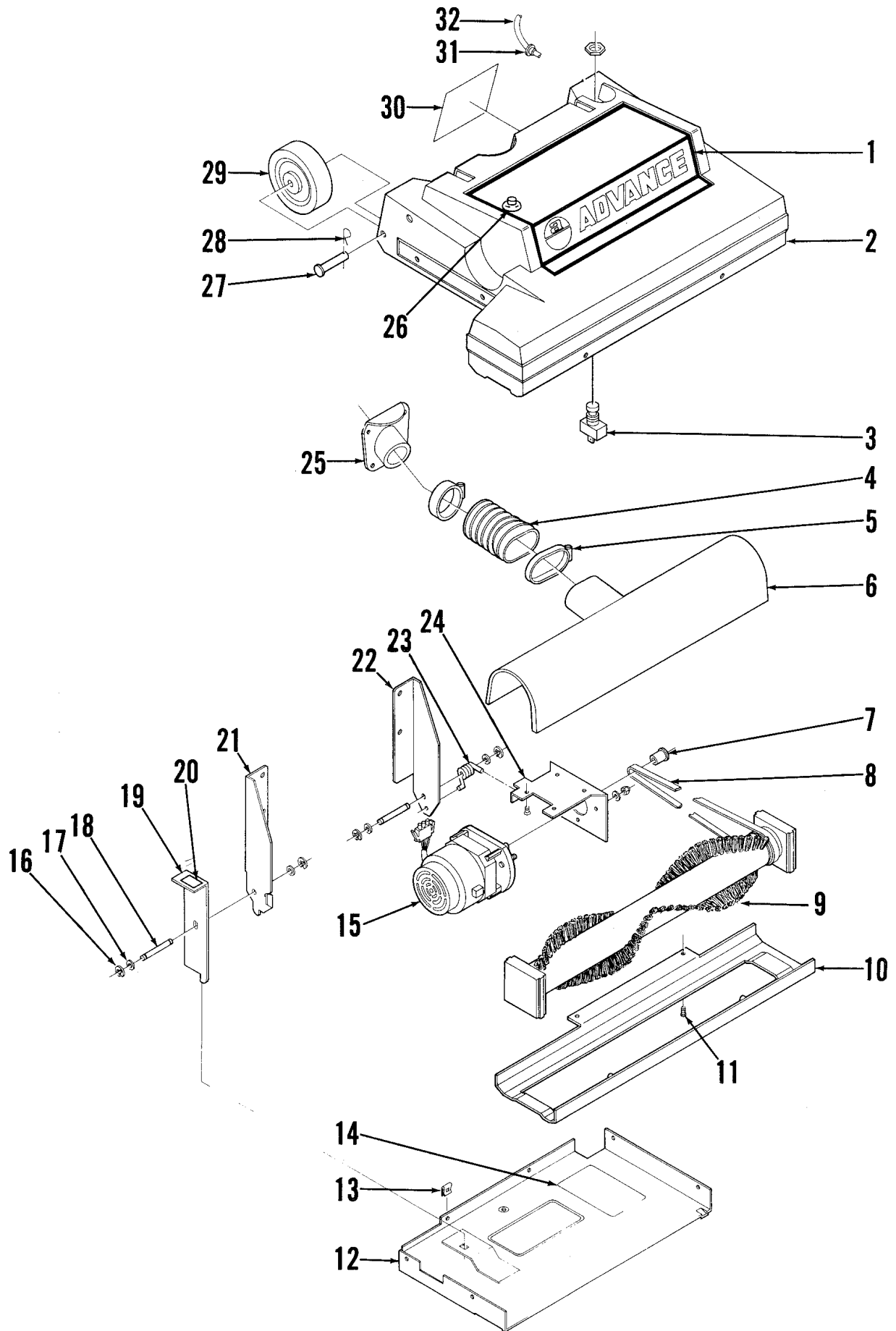


UPPER HOUSING ASSEMBLY

Item	Part No.	Qty	Description	Item	Part No.	Qty	Description
1	323716	1	Upper Housing 115V, 100V	23	323557	1	Shield
	323746	1	Upper Housing 230V	24	323026	1	Cover
2	014271	1	Decal, Carpetwin 14	25	323113	1	Gasket
3	171094	2	Nut	26	323087	1	Wire Rope
4	172066	1	Acorn Nut	27	323122	1	Paper Bag 6-Pack
5	323041	1	Bag Support		323121	1	Cloth Bag (optional)
6	384898	1	Filter		706189	1	Bag Clip (for cloth bag)
7	323512	1	Vac Motor Assy 115V	28	323715	1	Right Bracket
	323749	1	Vac Motor Assy 100V		323525	1	Left Bracket
	323748	1	Vac Motor Assy 230V	29	900217	1	Socket 115V, 100V
8	325096	1	Vacuum Motor 115V	30		4	1/4-20 x 3/4 Screw
	330389	1	Vacuum Motor 100V	31	323135	1	Strain Relief
*	203518	1	Carbon Brush Set	32	014270	1	Decal, Right Stripe
*	228051	2	Bearing		014269	1	Decal, Left Stripe
*	208191	2	Rotating Fan	33	323074	2	Cord Hook
	301622	1	Vacuum Motor 230V	34		2	#10-24 x 1/2 Screw
**	203518	1	Carbon Brush Set	35	323718	1	Hose
**	228051	2	Bearing	36	323136	1	Strain Relief
**	208191	2	Rotating Fan	37		2	1/4-20 x 1-1/2 Screw
9	209325	1	Gasket	38	361321	2	Bullet Catch
10	467171	1	Grommet	39		1	#8-32 Acorn Nut
11	570206	1	Grommet	40	706226	1	Snap Button
12	162981	2	Strain Relief 115V, 100V	41	706220	1	Handle
13		4	1/4-20 x 1/2 Screw	42	706224	1	Plug
14	323039	1	Cup	43	323731	1	Handle Tube
15	323044	1	Inner Baffle	44		1	#8-32 x 1-1/2 Screw
16	323009	1	Outer Baffle	45	014629	1	Decal, Caution
17		2	#10-24 x 3/8 Screw		183523	1	Terminal Block 230V
18	323064	1	Gasket				(not shown)
19		3	#10-24 x 1 Screw				
20	323065	1	Exhaust Filter				
21	323532	1	Cord Assy 115V, 100V				
	323742	1	Cord Assy 230V				
22	323019	1	Cord Assy 115V				
	322940	1	Cord Assy 100V				
	300227	1	Cord Assy 230V				

* = Repair parts for 115V, 100V Vac Motor

** = Repair parts for 230V Vac Motor



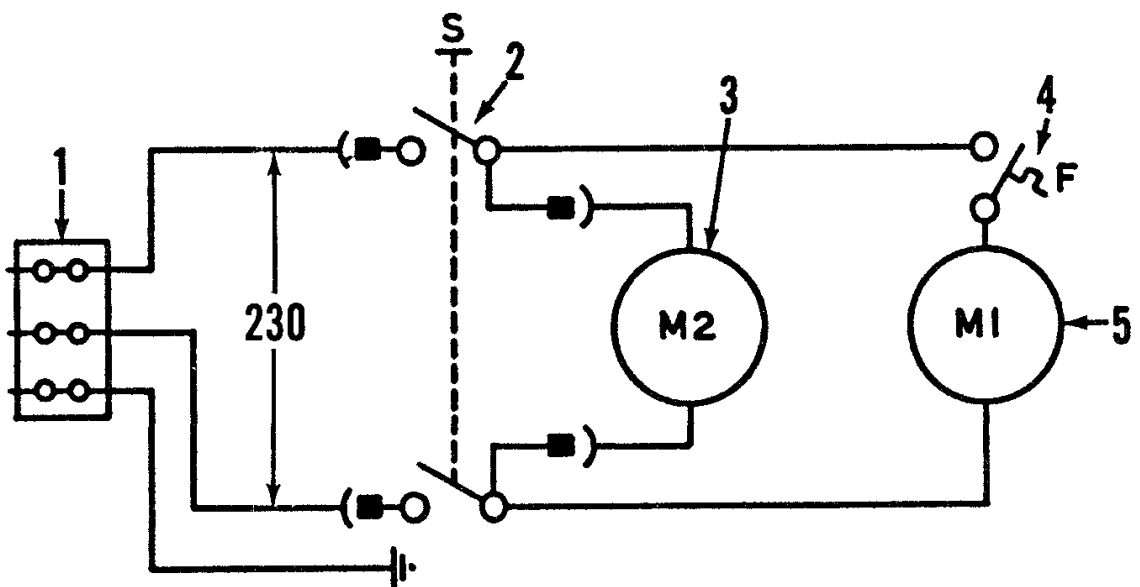
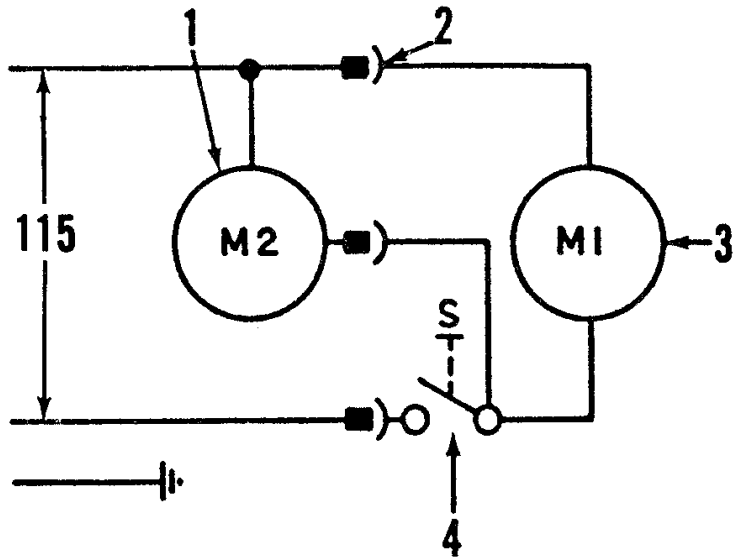
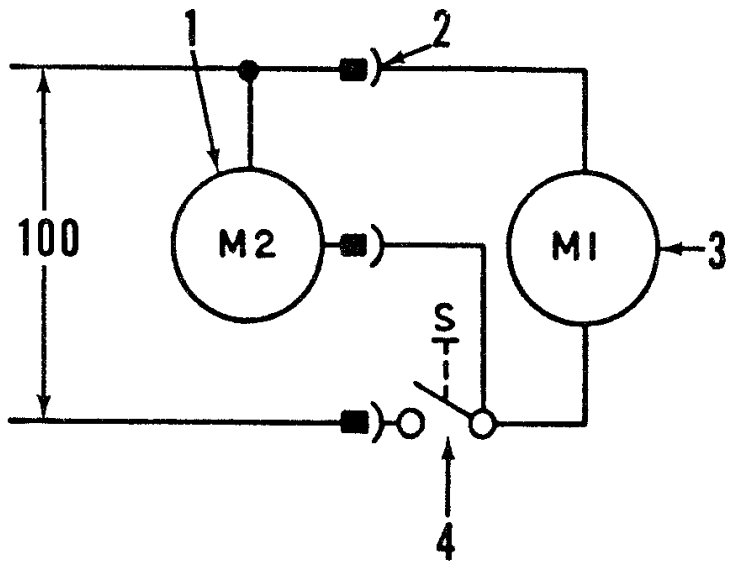
BASE ASSEMBLY

Item	Part No.	Qty	Description	Item	Part No.	Qty	Description
1	014345	1	Decal, Advance 115V, 100V	16	321427	4	Retaining Ring
	014793	1	Decal, Advance 230V	17		4	3/8 Washer
2	323712	1	Base Housing 115V, 100V	18	402995	2	Pivot Pin
	323745	1	Base Housing 230V	19	323727	1	Handle Release
3	323723	1	Switch 115V, 100V	20	014084	1	Decal, Release
	290427	1	Circuit Breaker 230V	21	323715	1	Right Bracket
4	323580	1	Hose	22	323525	1	Left Bracket
5	440213	2	Clamp	23	323539	1	Spring
6	323522	1	Brush Insert	24	323719	1	Motor Mount
7	323131	1	Pulley TSB 508, G11 / TSB 518, G10	25	323579	1	Hose Adapter
8	323538	1	Belt TSB 508, G11	26	323741	1	Switch 230V
9	323530	1	Brush Assembly TSB 508, G11	27	329558	2	Pin
*	323589	1	Left Bearing Block	28	321406	2	Cotter Pin
*	323588	1	Right Bearing Block	29	323722	2	Wheel Assembly
*	290283	2	Bearing	30	014369	1	Decal, Warning
10	323556	1	Shoe	31	163015	1	Strain Relief
11		2	#10-24 x 5/8 Screw	32	323532	1	Cord Set 115V, 100V
12	323728	1	Bottom Pan Assembly		323742	1	Cord Set 230V
	323724	1	Pan				
	323726	1	Handle Catch				
13	900266	6	Spring Nut				
	900265	4	Side Screw				
	900264	2	Back Screw				
14	014691	1	Decal, Wiring 115V				
	014765	1	Decal, Wiring 100V				
	014792	1	Decal, Wiring 230V				
15	323537	1	Brush Motor 115V (includes #7)				
	323516	1	Brush Motor 100V (includes #7)				
**	261149	1	Connector Plug				
**	323097	1	Carbon Brush Set				
**	228051	2	Bearings				
	323552	1	Brush Motor 230V includes #7)				
***	503004	1	Carbon Brush Set				
***	228051	2	Bearings				

* = Included with Brush Assembly

** = Repair parts for 115V, 100V Motor

*** = Repair parts for 230V Motor



WIRING DIAGRAM 100V

Item	Part No.	Qty	Description
1	330389	1	Vacuum Motor 100V
2	900217	1	Socket
	261149	1	Plug
3	323516	1	Brush Motor 100V
4	323723	1	Switch

WIRING DIAGRAM 115V

Item	Part No.	Qty	Description
1	325096	1	Vacuum Motor 115V
2	900217	1	Socket
	261149	1	Plug
3	323537	1	Brush Motor 115V
4	323723	1	Switch

WIRING DIAGRAM 230V

Item	Part No.	Qty	Description
1	183523	1	Terminal Block
2	323741	1	Switch
3	301622	1	Vacuum Motor 230V
4	290427	1	Circuit Breaker
5	323747	1	Brush Motor 230V