

# CARPETWIN 14, 14XP

MODELS 323500, 323501, 323510

THIS PARTS LIST IS FOR MACHINES  
AFTER SERIAL NUMBER 289698.

# PARTS LIST



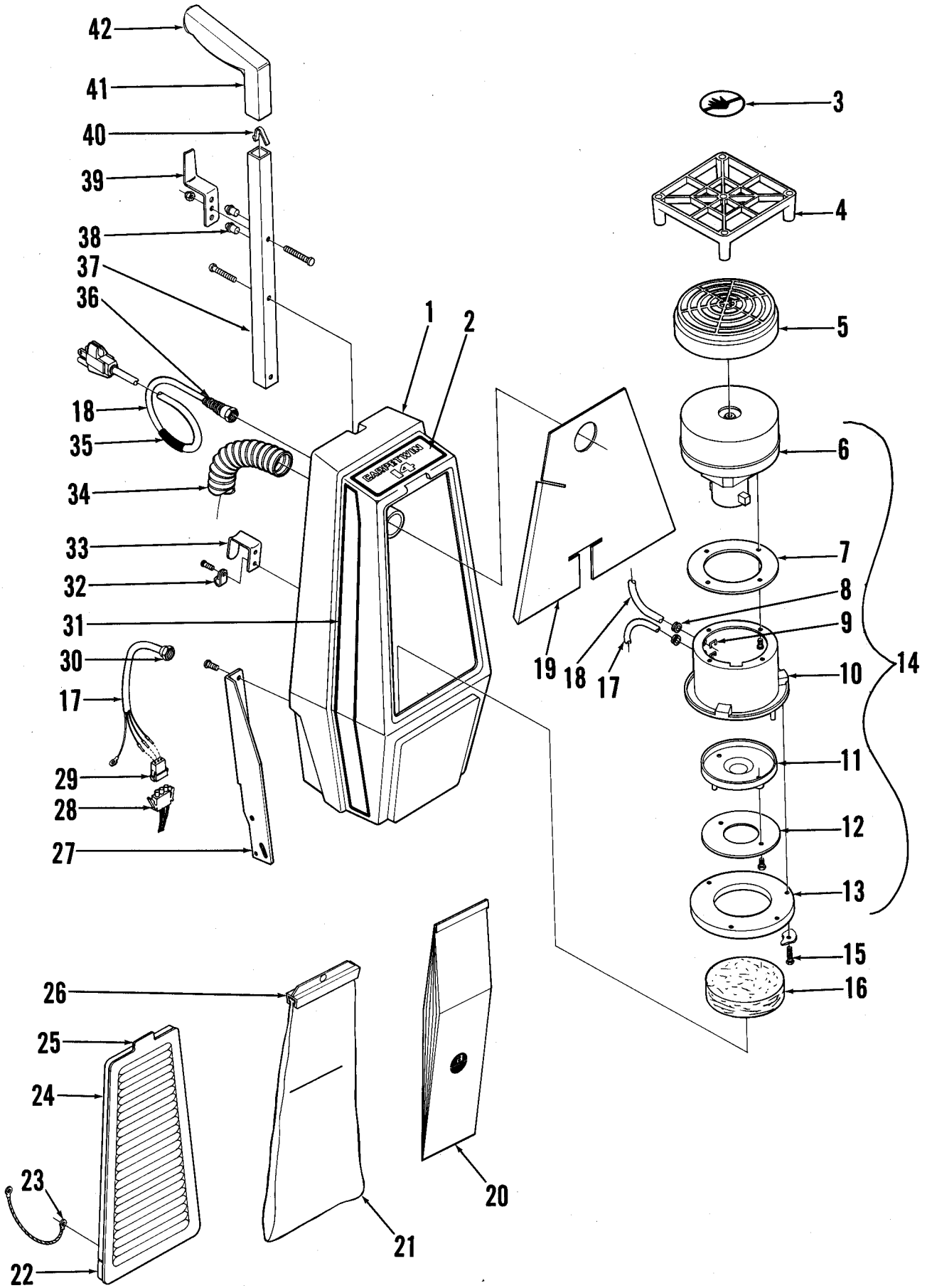
**ADVANCE**  
MACHINE COMPANY

INTERNATIONAL HEADQUARTERS, Plymouth, MN 55447-3408  
EUROPE, Llantrisant, Pontyclun, Mid-Glamorgan CF7 8YZ Wales, United Kingdom  
CANADA, 1295 Crestlawn Drive, Mississauga, Ontario L4W 1A9



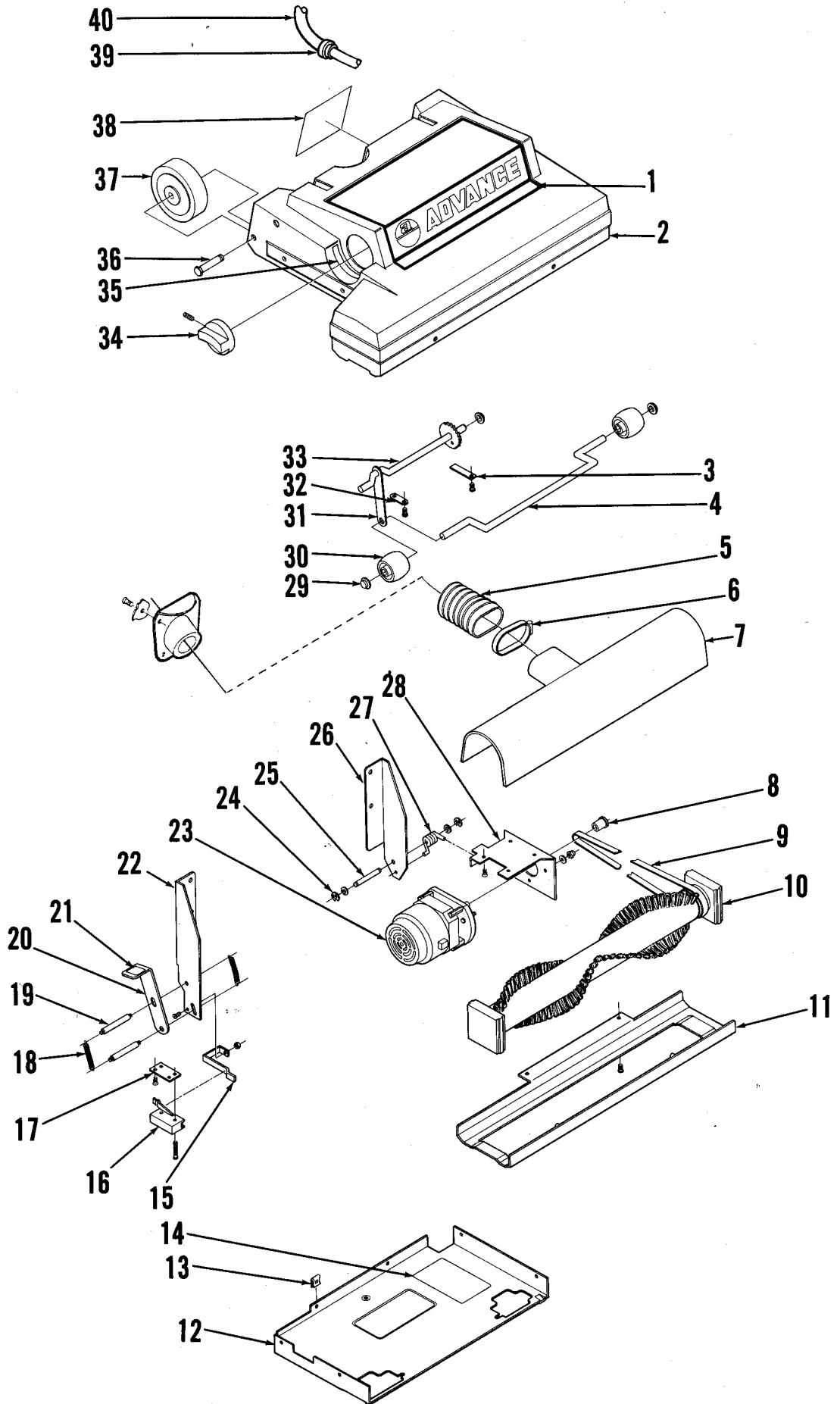
# INDEX FOR FORM NUMBER 042191

| <u>Description</u>      | <u>Location</u> | <u>Page</u> |
|-------------------------|-----------------|-------------|
| Bag Housing, Model 14   | C3              | 1           |
| Bag Housing, Model 14XP | C7              | 5           |
| Base                    | C5              | 3           |
| Motor, Vacuum           | C10             | 8           |
| Wiring Diagrams         | C9              | 7           |



## CARPETWIN 14 UPPER HOUSING

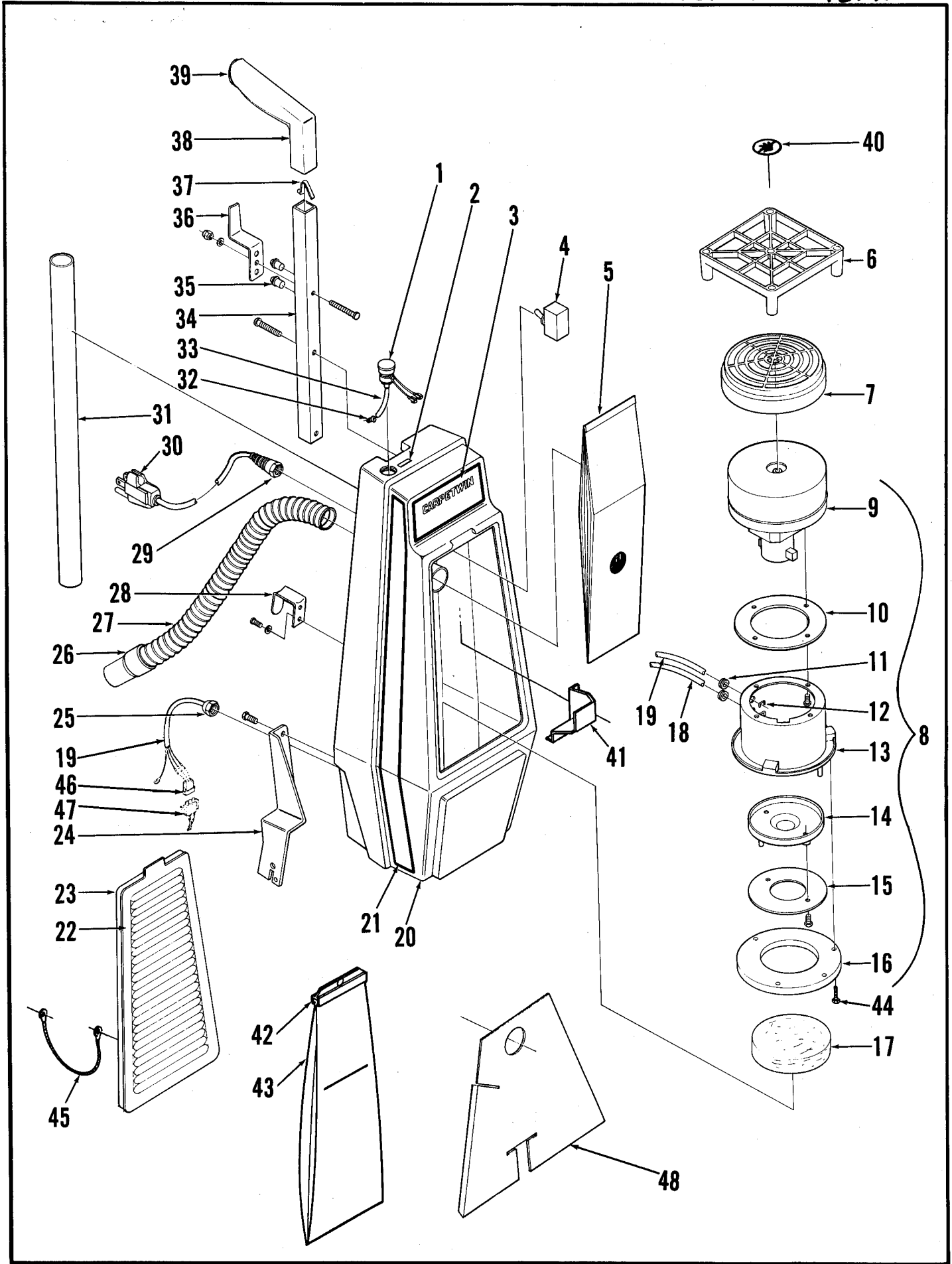
| I  | PART # | QTY | DESCRIPTION                      |
|----|--------|-----|----------------------------------|
|    | 323513 | 1   | UPPER HOUSING ASSEMBLY 115V      |
|    | 323515 | 1   | UPPER HOUSING ASSEMBLY 100V      |
| 1  | 323521 | 1   | HOUSING                          |
| 2  | 014271 | 1   | DECAL, CARPETWIN 14              |
| 3  | 030080 | 1   | DECAL, HANDS CLEAR               |
| 4  | 323041 | 1   | BAG SUPPORT                      |
| 5  | 384898 | 1   | FILTER                           |
| 6  | 325096 | 1   | VACUUM MOTOR 115V, 100V          |
|    | 203518 | 1   | CARBON BRUSH SET FOR ABOVE MOTOR |
| 7  | 209325 | 1   | GASKET                           |
| 8  | 467171 | 2   | GROMMET                          |
| 9  | 162981 | 2   | STRAIN RELIEF                    |
| 10 | 323039 | 1   | CUP                              |
| 11 | 323044 | 1   | INNER BAFFLE                     |
| 12 | 323049 | 1   | OUTER BAFFLE                     |
| 13 | 323064 | 1   | GASKET                           |
| 14 | 323512 | 1   | VACUUM MOTOR ASSEMBLY 115V, 100V |
| 15 | 900233 | 3   | SCREW                            |
| 16 | 323065 | 1   | EXHAUST FILTER                   |
| 17 | 323532 | 1   | CORD ASSEMBLY 115V, 100V         |
| 18 | 323060 | 1   | CORD ASSEMBLY 115V               |
|    | 323112 | 1   | CORD ASSEMBLY 100V               |
| 19 | 323557 | 1   | SHIELD                           |
| 20 | 324536 | 1   | DISPOSABLE BAG, PKG OF 6         |
| 21 | 324530 | 1   | CLOTH BAG                        |
| 22 | 323096 | 1   | GASKET                           |
| 23 | 323087 | 1   | WIRE ROPE                        |
| 24 | 325324 | 1   | GASKET                           |
| 25 | 323026 | 1   | COVER (INCLUDES GASKET & CABLE)  |
| 26 | 320676 | 1   | BAG CLIP                         |
| 27 | 323526 | 1   | RIGHT BRACKET                    |
|    | 323525 | 1   | LEFT BRACKET (NOT SHOWN)         |
| 28 | 261149 | 1   | CONNECTOR PLUG                   |
| 29 | 900217 | 1   | CONNECTOR SOCKET                 |
| 30 | 323092 | 1   | STRAIN RELIEF                    |
| 31 | 014270 | 1   | DECAL, RIGHT                     |
|    | 014269 | 1   | DECAL, LEFT (NOT SHOWN)          |
| 32 | 442011 | 1   | CLAMP                            |
| 33 | 323073 | 1   | CORD HOOK                        |
| 34 | 323543 | 1   | HOSE                             |
| 35 | 300602 | 1   | TUBE                             |
| 36 | 323046 | 1   | STRAIN RELIEF TSB 507, G-12      |
| 37 | 323062 | 1   | TUBE                             |
| 38 | 361321 | 2   | BULLET CATCH                     |
| 39 | 323074 | 1   | CORD HOOK                        |
| 40 | 706226 | 1   | SNAP BUTTON                      |
| 41 | 706220 | 1   | HANDLE                           |
| 42 | 706224 | 1   | PLUG                             |



## BASE ASSEMBLY

| I  | PART # | QTY | DESCRIPTION                       |
|----|--------|-----|-----------------------------------|
|    | 323511 | 1   | BASE ASSEMBLY 115V                |
|    | 323514 | 1   | BASE ASSEMBLY 100V                |
|    | 323577 | 1   | BASE ASSEMBLY XP                  |
| 1  | 014345 | 1   | DECAL, ADVANCE                    |
| 2  | 323536 | 1   | BASE 115V, 100V                   |
|    | 323578 | 1   | BASE XP                           |
| 3  | 329512 | 1   | RATCHET STOP                      |
| 4  | 323546 | 1   | AXLE                              |
| 5  | 323543 | 1   | HOSE 115V, 100V                   |
|    | 323580 | 1   | HOSE XP                           |
| 6  | 440213 | 1   | HOSE CLAMP                        |
| 7  | 323522 | 1   | BRUSH INSERT                      |
| 8  | 323024 | 1   | PULLEY REF. TSB 518, G-10         |
| 9  | 323538 | 1   | BELT                              |
| 10 | 323530 | 1   | BRUSH ASSEMBLY                    |
| 11 | 323556 | 1   | SHOE                              |
| 12 | 323550 | 1   | BOTTOM PAN                        |
| 13 | 329575 | 6   | SPRING NUT                        |
| 14 | 014174 | 1   | DECAL, WIRING 115V                |
|    | 014479 | 1   | DECAL, WIRING 100V                |
|    | 014053 | 1   | DECAL, WIRING XP                  |
| 15 | 323558 | 1   | SWITCH BRACKET                    |
| 16 | 388019 | 1   | SWITCH 115, 100V                  |
| 17 | 329058 | 1   | BRACKET                           |
| 18 | 321087 | 2   | SPRING                            |
| 19 | 329556 | 2   | PIVOT PIN                         |
| 20 | 323531 | 1   | PEDAL                             |
| 21 | 014084 | 1   | DECAL, RELEASE                    |
| 22 | 323526 | 1   | RIGHT BRACKET 115V, 100V          |
|    | 323575 | 1   | RIGHT BRACKET XP                  |
| 23 | 323537 | 1   | BRUSH MOTOR ASSEMBLY 115V         |
|    | 323516 | 1   | BRUSH MOTOR ASSEMBLY 100V         |
|    | 323581 | 1   | BRUSH MOTOR ASSEMBLY XP           |
|    | 323097 | 1   | CARBON BRUSH/SET FOR ABOVE MOTORS |
|    | 228051 | 2   | BEARING FOR ABOVE MOTORS          |
| 24 | 321427 | 2   | RETAINING RING                    |
| 25 | 402995 | 1   | PIN                               |
| 26 | 323525 | 1   | LEFT BRACKET 115V, 100V           |
|    | 323574 | 1   | LEFT BRACKET XP                   |
| 27 | 323539 | 1   | SPRING                            |
| 28 | 323523 | 1   | MOTOR MOUNT                       |
| 29 | 290935 | 3   | CAP                               |
| 30 | 329554 | 2   | ROLLER                            |
| 31 | 329517 | 1   | LINK                              |
| 32 | 329514 | 2   | RETAINER                          |
| 33 | 323554 | 1   | CRANK SHAFT                       |
| 34 | 324504 | 1   | KNOB                              |
| 35 | 021106 | 1   | DECAL, KNOB                       |
| 36 | 323545 | 2   | SCREW                             |
| 37 | 329521 | 2   | WHEEL                             |
| 38 | 014369 | 1   | DECAL, WARNING                    |
| 39 | 163015 | 1   | STRAIN RELIEF                     |
| 40 | 323532 | 1   | CORD ASSEMBLY 115V, 100V          |
| 41 | 323579 | 1   | HOSE ADAPTOR XP                   |

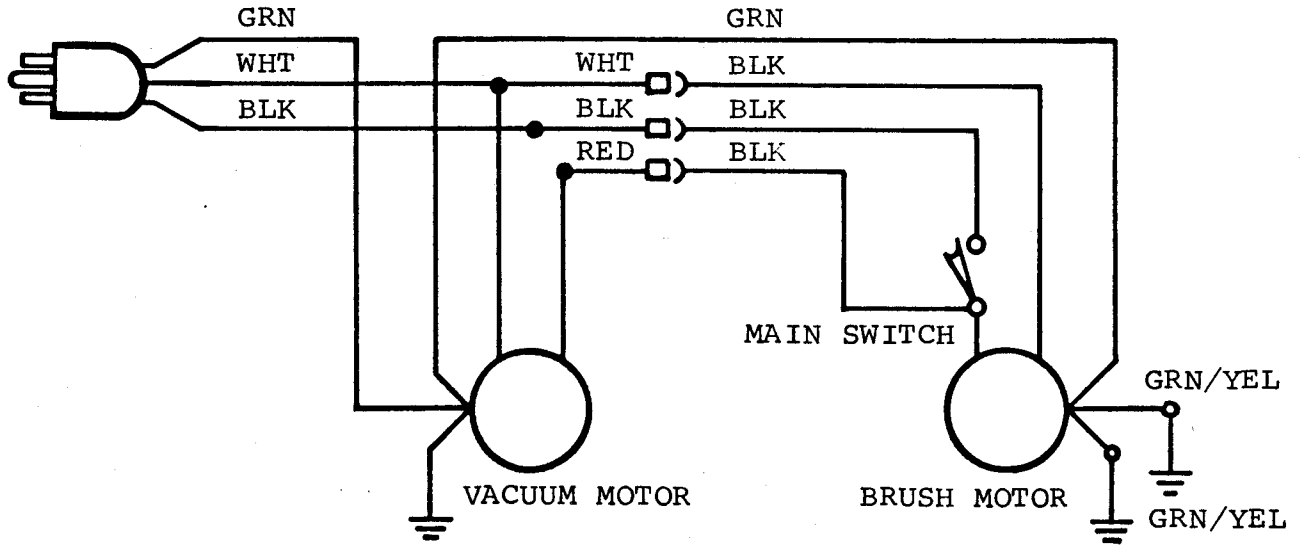
TB  
508  
G-11



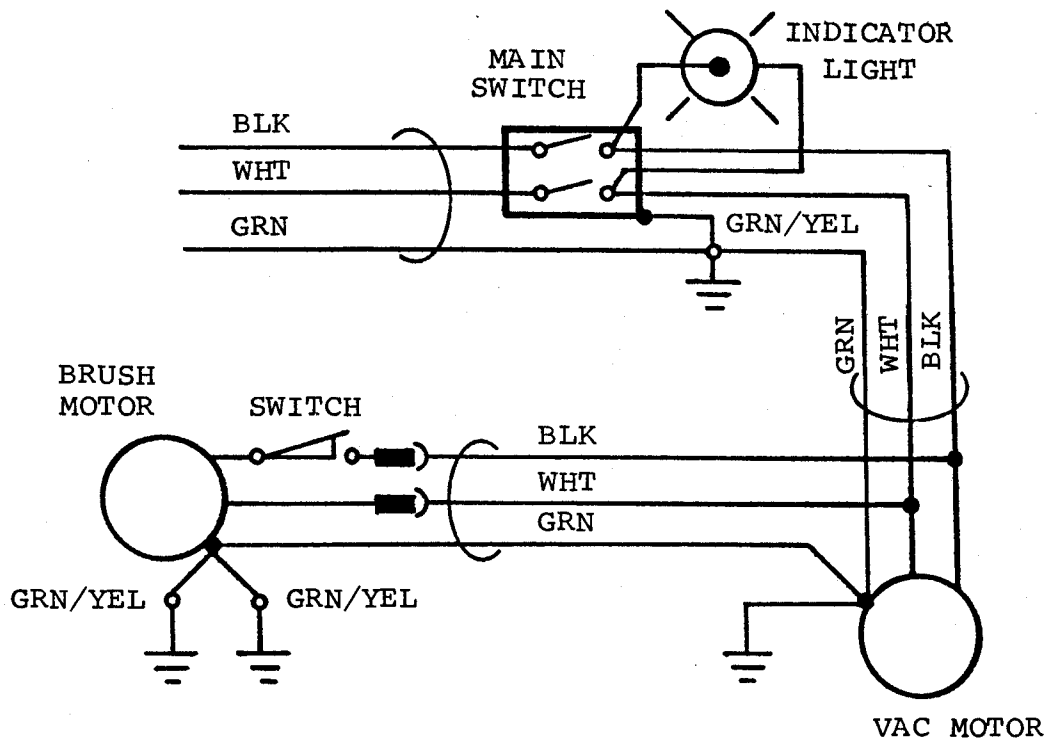
## CARPETWIN 14 XP

| I  | PART # | QTY | DESCRIPTION                      |
|----|--------|-----|----------------------------------|
|    | 323576 | 1   | UPPER HOUSING ASSEMBLY           |
| 1  | 323059 | 1   | LIGHT                            |
| 2  | 014107 | 1   | DECAL, BAG FULL                  |
| 3  | 014511 | 1   | DECAL, CARPETWIN                 |
| 4  | 323048 | 1   | SWITCH                           |
| 5  | 324536 | 1   | PAPER BAG 6 PK.                  |
| 6  | 323041 | 1   | BAG SUPPORT                      |
| 7  | 384898 | 1   | FILTER                           |
| 8  | 323070 | 1   | VACUUM MOTOR ASSEMBLY            |
| 9  | 300381 | 1   | VACUUM MOTOR                     |
|    | 203518 | 1   | CARBON BRUSH SET FOR ABOVE MOTOR |
| 10 | 209325 | 1   | GASKET                           |
| 11 | 467171 | 2   | GROMMET                          |
| 12 | 162981 | 2   | STRAIN RELIEF                    |
| 13 | 323039 | 1   | CUP                              |
| 14 | 323044 | 1   | INNER BAFFLE                     |
| 15 | 323049 | 1   | OUTER BAFFLE                     |
| 16 | 323064 | 1   | GASKET                           |
| 17 | 323065 | 1   | EXHAUST FILTER                   |
| 18 | 323058 | 1   | CORD ASSEMBLY                    |
| 19 | 323057 | 1   | CORD ASSEMBLY                    |
| 20 | 323050 | 1   | UPPER HOUSING                    |
| 21 | 014101 | 1   | DECAL, RIGHT STRIPE              |
|    | 014102 | 1   | DECAL, LEFT STRIPE               |
| 22 | 323026 | 1   | COVER                            |
| 23 | 323113 | 1   | GASKET                           |
| 24 | 323575 | 1   | RIGHT SUPPORT BRACKET            |
|    | 323574 | 1   | LEFT SUPPORT BRACKET             |
| 25 | 323067 | 1   | STRAIN RELIEF                    |
| 26 | 323081 | 1   | HOSE CUFF                        |
| 27 | 323023 | 1   | VACUUM HOSE                      |
| 28 | 323073 | 1   | CORD HOOK                        |
| 29 | 323046 | 1   | STRAIN RELIEF TSB 507, G-12      |
| 30 | 323060 | 1   | CORD SET                         |
| 31 | 323095 | 1   | WAND                             |
| 32 | 323045 | 1   | NIPPLE                           |
| 33 | 323063 | 1   | TUBE                             |
| 34 | 323062 | 1   | HANDLE TUBE                      |
| 35 | 361231 | 2   | BULLET CATCH                     |
| 36 | 323074 | 1   | CORD HOOK                        |
| 37 | 706226 | 1   | SNAP BUTTON                      |
| 38 | 706220 | 1   | HANDLE GRIP                      |
| 39 | 706224 | 1   | HANDLE PLUG                      |
| 40 | 030080 | 1   | DECAL, HANDS CLEAR               |
| 41 | 323068 | 1   | WIRING SHIELD                    |
| 42 | 320676 | 1   | BAG CLIP                         |
| 43 | 324530 | 1   | CLOTH BAG                        |
| 44 | 900233 | 3   | SCREW                            |
| 45 | 323087 | 1   | WIRE ROPE                        |
| 46 | 900217 | 1   | CONNECTOR SOCKET                 |
| 47 | 261146 | 1   | CONNECTOR PLUG                   |
| 48 | 323090 | 1   | SHIELD                           |





014174 WIRING DIAGRAM 115V  
014479 WIRING DIAGRAM 100V



014053 WIRING DIAGRAM 14XP

STANDARD VACUUM MOTOR

I PART # QTY DESCRIPTION

|    |        |   |                 |
|----|--------|---|-----------------|
|    | 325096 | 1 | VACUUM MOTOR    |
| 1  | 207285 | 2 | CLAMP           |
| 2  | 203518 | 2 | CARBON BRUSH    |
| 3  | 300406 | 1 | BRACKET         |
| 4  | 228377 | 1 | FIELD           |
| 5  | 228388 | 1 | FIBER WASHER    |
| 6  | 325084 | 1 | ARMATURE        |
| 7  | 228051 | 1 | BALL BEARING    |
| 8  | 203471 | 1 | CLAMPING WASHER |
| 9  | 202630 | 1 | FELT WASHER     |
| 10 | 325094 | 1 | BRACKET & SHELL |
| 11 | 203424 | 1 | SPACER          |
| 12 | 208191 | 1 | ROTATING FAN    |
| 13 | 203432 | 1 | WASHER          |
| 14 | 203440 | 1 | NUT             |
| 15 | 325088 | 1 | FAN SHELL       |

VACUUM MOTOR FOR XP MODEL

I PART # QTY DESCRIPTION

|    |        |   |                 |
|----|--------|---|-----------------|
|    | 300381 | 1 | VACUUM MOTOR    |
| 1  | 207285 | 2 | CLAMP           |
| 2  | 203518 | 2 | CARBON BRUSH    |
| 3  | 207234 | 1 | BRACKET         |
| 4  |        | 1 | FIELD           |
| 5  | 203513 | 1 | DISC            |
| 6  | 203549 | 1 | ARMATURE        |
| 7  | 228051 | 1 | BALL BEARING    |
| 8  | 203471 | 1 | CLAMPING WASHER |
| 9  | 203459 | 1 | FELT WASHER     |
| 10 | 301184 | 1 | BRACKET & SHELL |
| 11 | 203424 | 1 | SPACER          |
| 12 | 208191 | 1 | ROTATING FAN    |
| 13 | 203432 | 1 | WASHER          |
| 14 | 203440 | 1 | NUT             |
| 15 | 203491 | 1 | FAN SHELL       |
| 16 | 202843 | 1 | LOAD SPRING     |
| 17 | 228051 | 1 | BEARING         |
| 18 | 207268 | 1 | STATIONARY FAN  |
| 19 | 203516 | 1 | SPACER          |
| 20 | 208191 | 1 | ROTATING FAN    |

