

Carpetwin™ 16XP/20XP



PARTS LIST

**Advance MODELS 56323776(20XP/120V / OBS)
56323777(16XP/120V), 56323778(16XP/230V)
56323779(16XP/100V)**



**Nilfisk
Advance**

setting standards

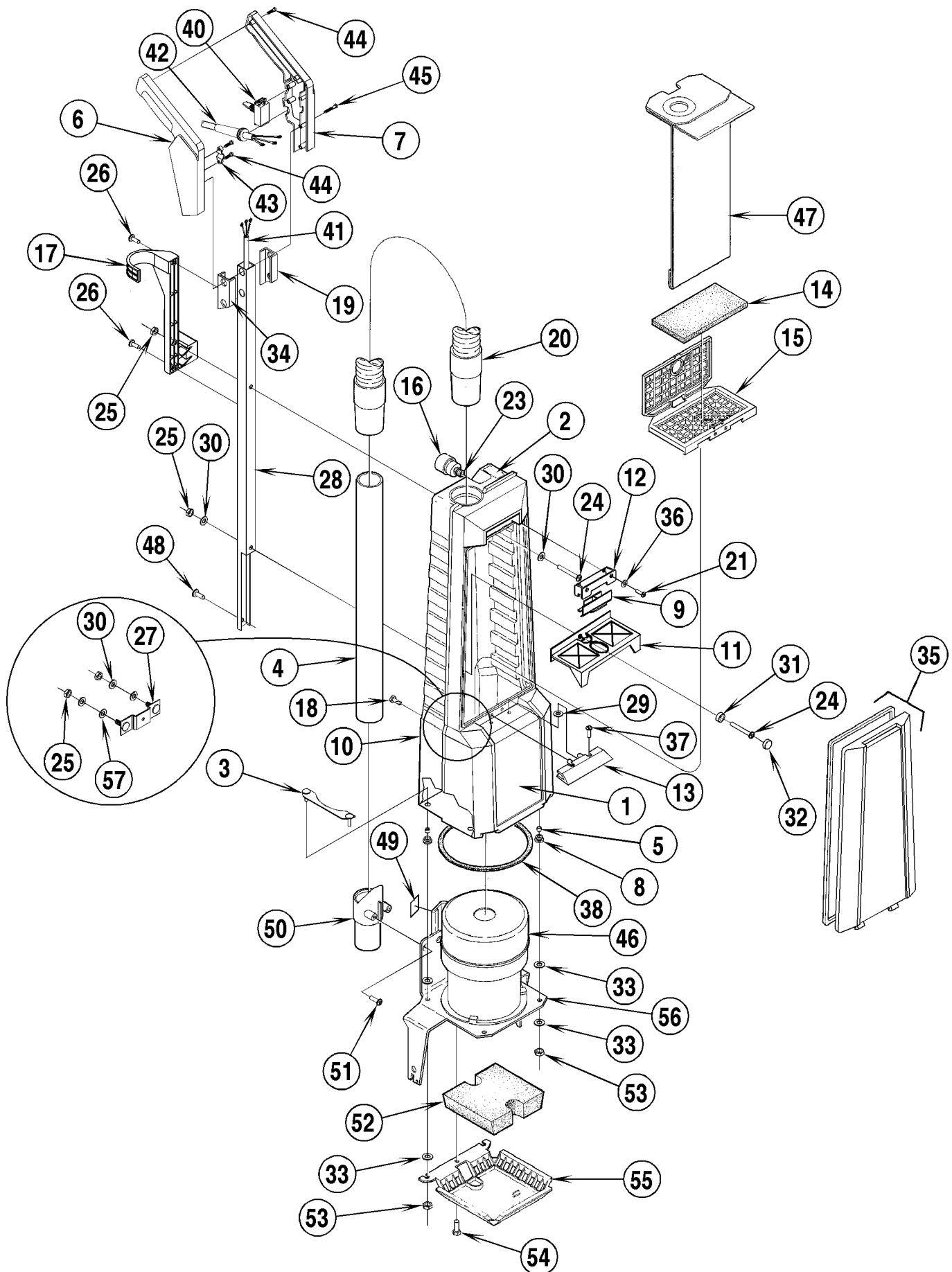
12/97 revised 7/01 FORM NO. 56042337

DESCRIPTION	PAGE
UPPER HOUSING	2-3
UPPER HOUSING (16XP ONLY AFTER SN1490096)	4-5
VACUUM MOTOR ASSEMBLY	6-7
BASE ASSEMBLY (16XP-120V / 230V)	8-9
BASE ASSEMBLY (16XP-100V)	10-11
BASE ASSEMBLY (20XP-120V)	12-13
WIRING DIAGRAMS (16XP)	14-15
WIRING DIAGRAM (20XP)	16-17

WHEN ORDERING PARTS

- * Use the 8 digit numbers from the "Ref. No." columns in this parts list.
- * Specify the model and serial number of the machine.
- * Use the space below to record the model and serial number for future reference.

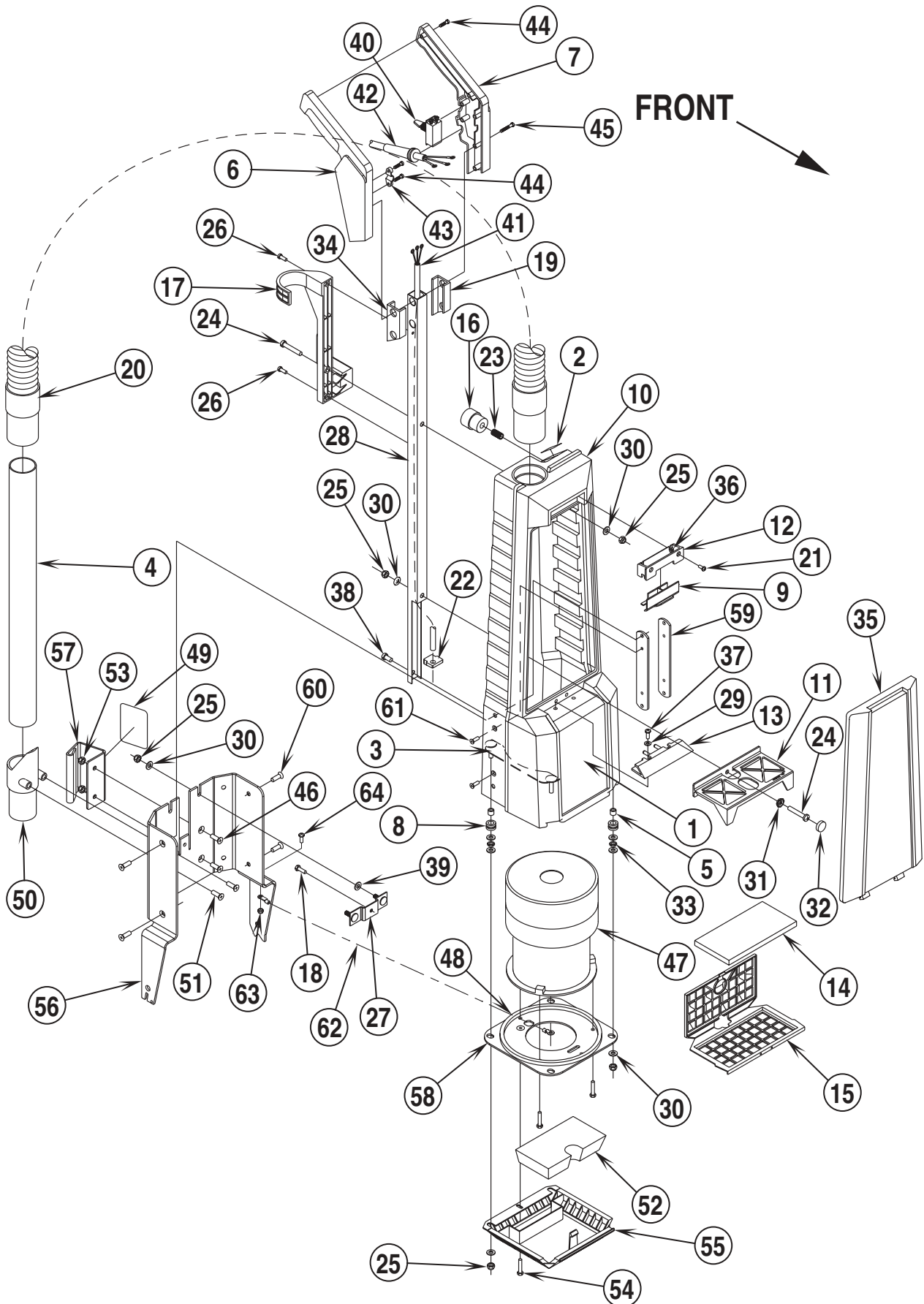
Model _____ Serial No. _____



97-12	UPPER HOUSING ASSEMBLY			
01-6	Carpetwin™ 16XP / 20XP			3

Item	Ref. No.	Qty	Description	Item	Ref. No.	Qty	Description
	56323814	1	Upper Housing Assy (16XP 100V)	37	56001993	2	Scr, Pan Hd Phil 10-24 x .50
	56323780	1	Upper Housing Assy (16XP 120V)	*	56002768	1	Nut, Hex Nyl Loc 10-24
	56323818	1	Upper Housing Assy (16XP 230V)	38	56323157	1	Gasket, Yoke
	56323781	1	Upper Housing Assy (20XP 120V)	39			Intentionally Omitted
			(Upper Housing #1-45)	40	56207077	1	Switch, Toggle
1	56016312	1	Decal, Housing	41	56323807	1	Cord Set (120V)
2	56015069	1	Decal, Bag Full		56323815	1	Cord Set (100V)
3	56323309	2	Strap Weld't.		56323819	1	Cord Set (230V)
4	56323141	1	Tube, Wand	42	56323806	1	Power Cord (120V)
5	56330027	4	Bushing		56323816	1	Power Cord (100V)
6	56329621	1	Handle, Right		56323817	1	Power Cord (230V)
7	56329620	1	Handle, Left	43	56329616	1	Cord Clamp
8	56321540	4	Grommet	44	56329623	3	Scr, Pan Phil Plastite 8-18 x .62
9	56323255	1	Latch	45	56329622	6	Scr, Pan Phil Plastite 8-18 x 1.00
10	56323791	1	Housing W/Tube	46	56323804	1	Motor, Vacuum Assy
11	56323290	1	Stand-Off, Bag				(16XP-120V see pages 6-7)
12	56323254	1	Housing, Latch		56323368	1	Motor, Vacuum Assy
13	56323146	1	Stop				(16XP-100V see pages 6-7)
14	56323158	1	Filter, Internal		56323822	1	Motor, Vacuum Assy
15	56323161	1	Filter Housing, Internal				(16XP-230V see pages 6-7)
16	56323170	1	Bag Full Indicator		56323370	1	Motor, Vacuum Assy
17	56323797	1	Bracket, Hose				(20XP-120V see pages 6-7)
18	56009135	1	Scr, Hex Hd Thd Form 10-24 x .62	47	56323153	1	Paper Filter Bag (pkg of 6)
19	56323793	1	Bracket, Left	*	56323195	1	Cloth Bag
20	56323167	1	Hose	*	56320676	1	Clip for Cloth Bag
21	56009180	2	Scr, Pan Phil Type B 8 x .38	*	56323251	1	Bio-Bag™
22			Intentionally Omitted				(pkg of 6 / optional, not included)
23	56750746	1	Nipple, 1/8-27 NPT	48	56009062	1	Scr, Pan Phil Thd Form 1/4-20 x .50
24	56002786	2	Scr, Pan Phil 1/4-20 x 1.50	49	56014369	1	Decal, Warning (120V)
25	56002491	4	Nut, Hex Nyl Loc 1/4-20		56017025	1	Decal, Warning Japan (100V)
26	56009029	2	Scr, Pan Phil Thd Form 10-24 x .50	50	56323148	1	Wand Receiver
27	56323790	1	Support Bracket	51	56009172	2	Scr, Flt Phil Ty A-B 1/4-14 x .62
28	56323792	1	Handle	52	56323275	1	Filter, Exhaust
29	56002140	2	Wsh, Flt SAE #8	53	56002708	4	Nut, Hex Nyl Loc 1/4-20
30	56002098	5	Wsh, Flt SAE 1/4	54	56003028	1	Scr, Hex Hd Loc 10-24 x 1.00
31	56323261	1	Base, Screw	55	56323160	1	Retainer, Exhaust Filter
32	56323262	1	Cover, Screw	56	56323786	1	Yoke (16XP)
33	56002098	8	Wsh, Flt SAE 1/4		56323788	1	Yoke (20XP)
34	56323794	1	Bracket, Right	57	56323374	2	Gasket
35	56323152	1	Cover Assembly				
*	56323151	1	Cover	*	56016000	1	Decal, Wear Items (16XP / 120V)
*	56323165	1	Gasket		56016001	1	Decal, Wear Items (20XP / 120V)
*	56016485	1	Decal, Carpetwin				
36	56002140	2	Wsh, Flt SAE #8				

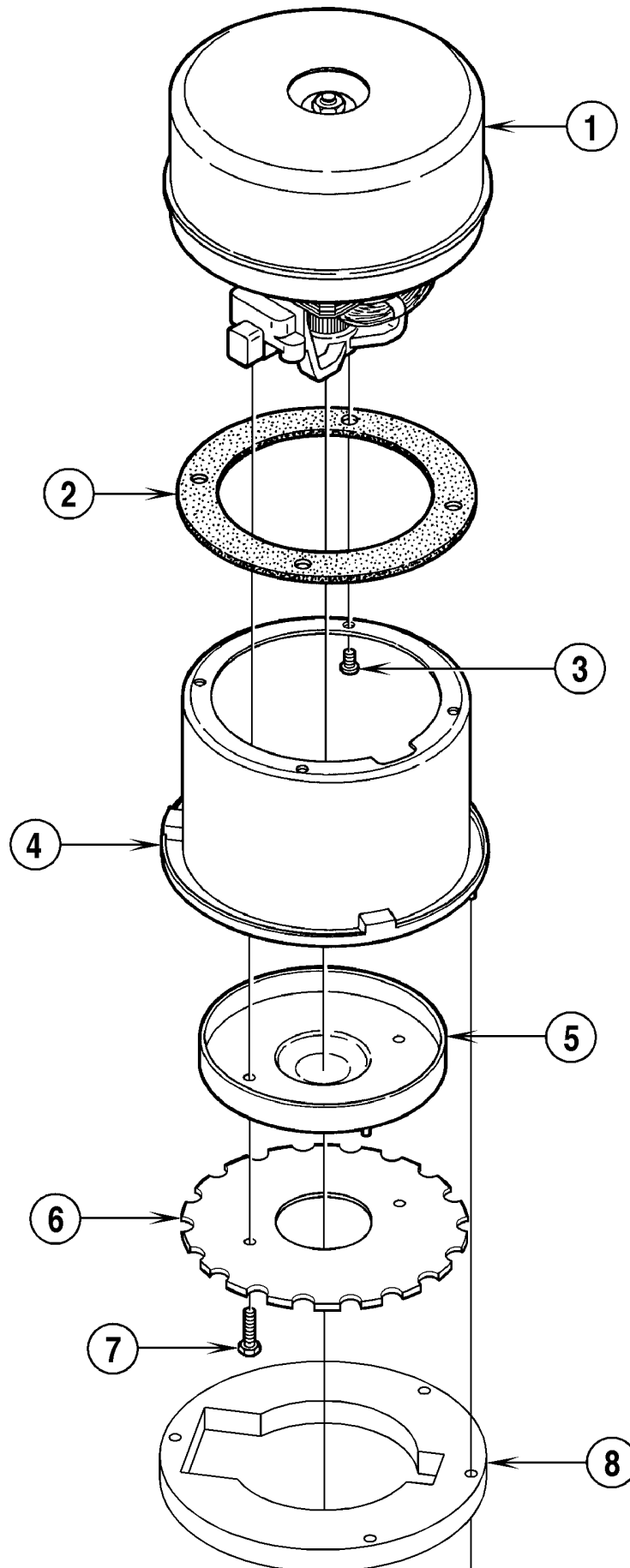
* = Not Shown



97-12	UPPER HOUSING (16XP ONLY AFTER SN1490096)			
01-7	Carpetwin™ 16XP / 20XP			5

Item	Ref. No.	Qty	Description	Item	Ref. No.	Qty	Description
	56323780	1	Upper Housing Assy (16XP 120V) (Upper Housing #1-45)	37	56001993	2	Scr, Pan Hd Phil 10-24 x .50
1	56016312	1	Decal, Housing	*	56002768	1	Nut, Hex Nyl Loc 10-24
2	56015069	1	Decal, Bag Full	38	56009062	1	Scr, Pan Phil Thd Form 1/4-20 x .50
3	56323309	2	Strap Weld't.	39	56323374	2	Gasket
4	56323141	1	Tube, Wand	40	56207077	1	Switch, Toggle
5	56330027	4	Bushing	41	56323807	1	Cord Set
6	56329621	1	Handle, Right	42	56323806	1	Power Cord
7	56329620	1	Handle, Left	43	56329616	1	Cord Clamp
8	56321540	4	Grommet	44	56329623	3	Scr, Pan Phil Plastiite 8-18 x .62
9	56323255	1	Latch	45	56329622	6	Scr, Pan Phil Plastiite 8-18 x 1.00
10	56323791	1	Housing W/Tube	46	56002760	2	Scr, Flt Hd 1/4-20 x .62
11	56323290	1	Stand-Off, Bag	47	56323804	1	Motor, Vacuum Assy (see pages 6-7)
12	56323254	1	Housing, Latch	48	56323157	1	Gasket, Yoke
13	56323146	1	Stop	49	56014369	1	Decal, Warning
14	56323158	1	Filter, Internal	50	56323148	1	Wand Receiver
15	56323161	1	Filter Housing, Internal	51	56009172	2	Scr, Flt Phil Ty A-B 1/4-14 x .62
16	56323170	1	Bag Full Indicator	52	56323275	1	Filter, Exhaust
17	56323797	1	Bracket, Hose	53	56002840	2	Nut, Hex Nyl Loc-Thin 1/4-20
18	56009135	1	Scr, Hex Hd Thd Form 10-24 x .62	54	56003028	1	Scr, Hex Hd Loc 10-24 x 1.00
19	56323793	1	Bracket, Left	55	56323160	1	Retainer, Exhaust Filter
20	56323167	1	Hose	56	56323004	1	Yoke
21	56009180	2	Scr, Pan Phil Type B 8 x .38	57	56323016	1	Hook, Cord
22	56323630	1	Grommet, Square	58	56323014	1	Motor Support
23	56750746	1	Nipple, 1/8-27 NPT	59	56323008	2	Backing Plate
24	56002786	2	Scr, Pan Phil 1/4-20 x 1.50	60	56009137	4	Scr, Phil Flt Thd Form 1/4-20 x .62
25	56002708	8	Nut, Hex Nyl Loc 1/4-20	61	56009065	4	Scr, Phil Flt Thd Form 10-24 x .50
26	56009029	2	Scr, Pan Phil Thd Form 10-24 x .50	62	56323034	1	Wire, Ring / Ring
27	56323790	1	Support Bracket	63	56002768	1	Nut, Hex Nyl Loc 10-24
28	56323792	1	Handle	64	56001993	1	Scr, Pan Hd Phil 10-24 x .50
29	56002140	2	Wsh, Flt SAE #8				
30	56002098	17	Wsh, Flt SAE 1/4	*	56323153	1	Paper Filter Bag (pkg of 6)
31	56323261	1	Base, Screw	*	56323195	1	Cloth Bag
32	56323262	1	Cover, Screw	*	56320676	1	Clip for Cloth Bag
33	56009087	4	Nut, Hex Jam 1/4-20	*	56323251	1	Bio-Bag™ (pkg of 6 / optional, not included)
34	56323794	1	Bracket, Right				
35	56323152	1	Cover Assembly				
*	56323151	1	Cover				
*	56323165	1	Gasket				
*	56016485	1	Decal, Carpetwin				
36	56002140	2	Wsh, Flt SAE #8				

* = Not Shown

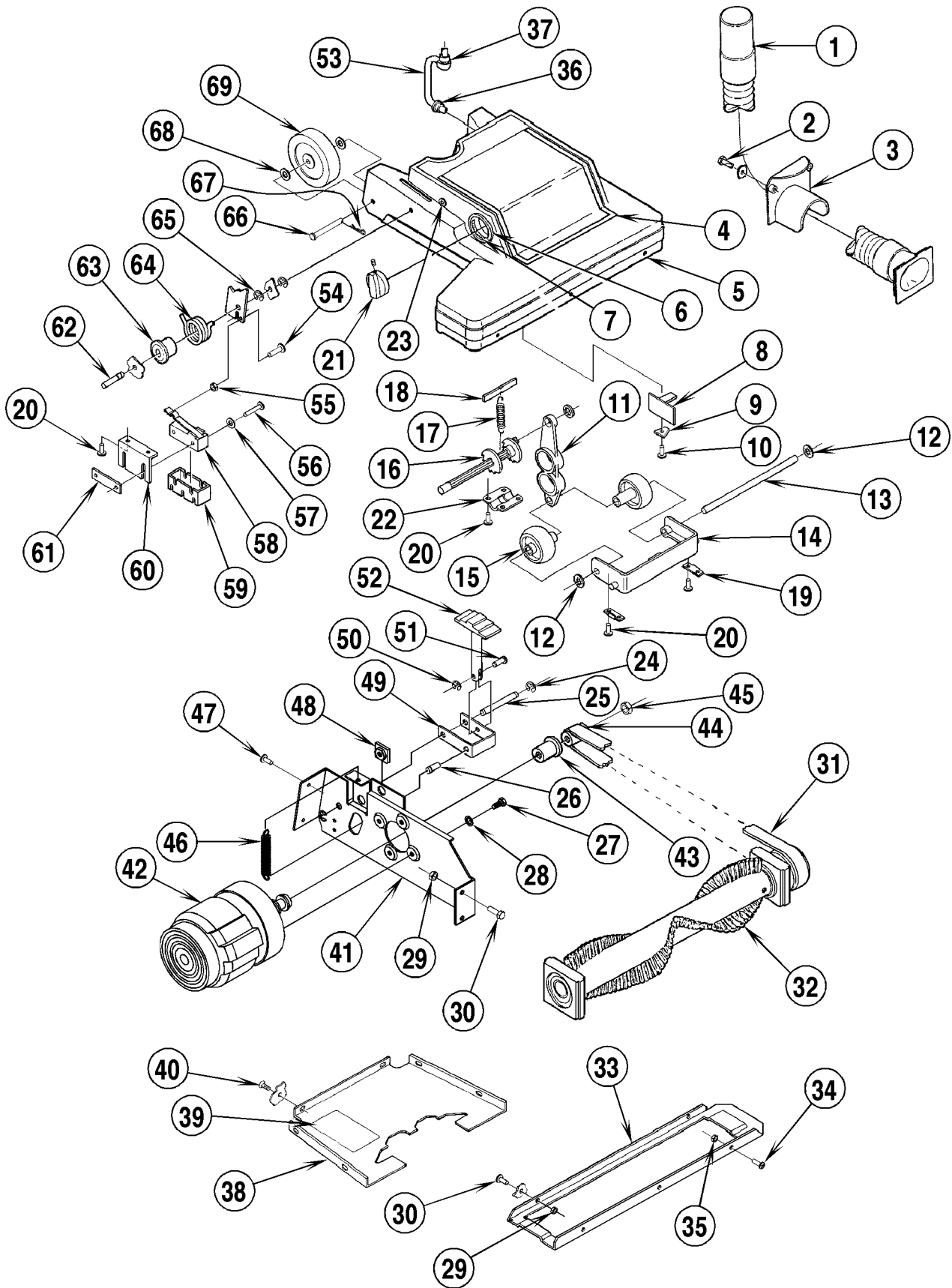


97-12	VACUUM MOTOR ASSEMBLY		
00-6	Carpetwin™ 16XP / 20XP		7

Item	Ref. No.	Qty	Description
	56323368	1	Motor, Vacuum Assy (16XP-100V)
	56323804	1	Motor, Vacuum Assy (16XP-120V)
	56323822	1	Motor, Vacuum Assy (16XP-230V)
	56323370	1	Motor, Vacuum Assy (20XP-120V)
1	56323177	1	Vacuum Motor (100V / 120V)
*	56203518	1	Carbon Brush, Set (for 323177)
	56323242	1	Vacuum Motor (16XP-230V)
*	56503017	1	Carbon Brush, Set (for 56323373)
2	56209325	1	Motor Gasket
3	56009030	4	Screw, Pan Phil HP5 10-24 x .38
4	56323805	1	Vacuum Motor Cup
*	56467171	1	Grommet
5	56323044	1	Inner Baffle
6	56323009	1	Outer Baffle NOTE
7	56009038	2	Screw, Hex Hd Thd Form 10-24 x .88
*	56001954	2	Wsh, Flt SAE #10
8	56323064	1	Cup Gasket
*	56009012	2	Scr, Hex Thd Form 10-24 x .38
*	56002011	2	Wsh, Int Shprf #10
*	56478246	2	Wire Tie
*	56014119	1	Decal, Ground Symbol (230V)

* = Not Shown

NOTE: Install the lip on outer baffle (#6) turned away from the motor.

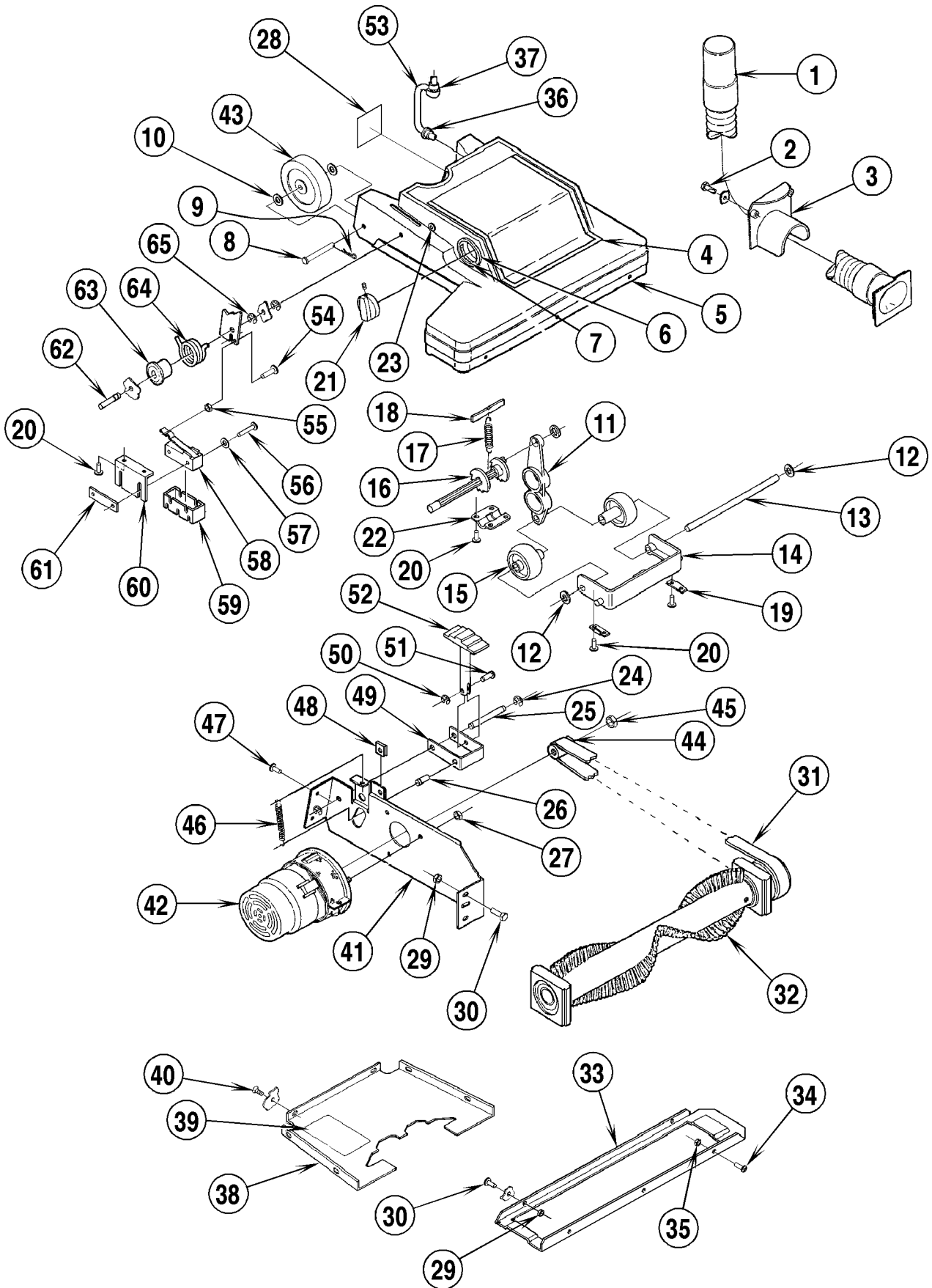


97-12	BASE ASSEMBLY (16XP-120V / 230V)			
00-6	Carpetwin™ 16XP / 20XP			9

Item	Ref. No.	Qty	Description	Item	Ref. No.	Qty	Description
	56323783	1	Base Assy Twin 16XP-120V	38	56323133	1	Base Cover
	56323784	1	Base Assy Twin 16XP-230V	*	56245234	2	Wire, Ground
1	56323168	1	Hose	39	56015763	1	Decal, Wiring (120V)
2	56009120	2	Scr, Pan Phil SS B 1/4-14 x .62		56016169	1	Decal, Wiring (230V)
3	56323176	1	Baffle	40	56009133	5	Scr, Flt Phil HP5 Loc 10-24 x .50
4	56016427	1	Decal, Carpetwin 16	41	56323810	1	Motor Bracket (NOTE 1)
5	56323787	1	Base Housing	42	56323801	1	Brush Motor Assy (120V / NOTE 1)
6	56325410	1	Knob Insert	*	56323827	2	Carbon Brush for 323801
7	56021106	1	Decal, Knob		56323825	1	Brush Motor Assy (230V)
8	56323348	1	Circuit Board (120V)	*	56323827	2	Carbon Brush for 323825
	56323007	1	Circuit Board (230V)	43		1	Motor Spacer (included with #42)
9	56323595	1	Retainer Clip	44		1	Motor Pulley (included with #42)
10	56003196	1	Scr, Pan Phil Plas 6-18 x .62	45	56002719	1	Nut, Hex M6-1.00
	56323102	1	Ratchet Assembly (#11-18)	46	56321087	1	Spring
11	56323038	1	Link	47	56009030	2	Scr, Pan Phil Thd Form 10-24 x .38
12	56325227	3	Nut	48	56321520	1	Clamp Nut
13	56325229	1	Pivot Pin	49	56328598	1	Latch
14	56323028	1	Yoke	50	56003267	1	Retaining Ring
15	56323025	2	Wheel	51	56321068	1	Pin
16	56323027	1	Ratchet	52	56323036	1	Pedal
17	56320484	1	Spring	53	56323799	1	Cord (120V)
18	56323035	1	Ratchet Catch		56323800	1	Cord (230V)
19	56325213	2	Clamp	*	56478246	6	Cable Tie
20	56009129	10	Scr, Pan Phil Type B 6 x .38	54	56001860	1	Scr, Pan Phil 8-32 x .75
21	56324502	1	Knob	55	56002865	1	Nut, Hex Nyl Loc Thin 8-32
22	56325225	1	Ratchet Retainer	56	56003393	2	Scr, Hex 6-32 x 1.25
23	56323055	2	Stop Bushing	57	56002006	2	Wsh, Flt SAE #6
*	56002032	2	Scr, Soc 1/4-20 x .62	58	56323271	1	Brush Motor Switch
*	56002708	1	Nut, Hex Nyl Loc 1/4-20	*	56323803	1	Wire (COM term.)
24	56003268	2	Retaining Ring	*	56323270	1	Wire (N.C. term.)
25	56323353	1	Pin	59	56323272	1	Terminal Cover
26	56328642	1	Groove Pin	60	56321615	1	Bracket
27	56009193	4	Scr, Hex Loc M6-1 x 10 mm	61	56376015	1	Nut Plate
28	56009188	4	Wsh, Int Shprf M6	62	56323089	2	Pivot Pin
29	56002768	6	Nut, Hex Nyl Loc 10-24	63	56323124	1	Bushing
30	56002503	5	Scr, Hex 10-24 x .50	64	56323123	1	Torsion Spring
31	56323284	1	Belt	65	56003262	4	Retaining Ring
32	56323285	1	Brush Assembly	66	56321404	2	Axle Pin
**	56323043	1	Brush	67	56003222	2	Cotter Pin
**	56003256	1	Retaining Ring	68	56009024	4	Wsh, Bowed
**	56320140	2	Bearing Block	69	56327530	2	Wheel
**	56323278	1	Brush Pulley				
**	56372773	2	Bearing				
33	56325530	1	Shoe				
34	56002396	3	Scr, Flt Phil 8-32 x .50				
35	56002808	4	Nut, Hex Nyl Loc 8-32				
36	56163015	1	Strain Relief				
37	56754199	1	Strain Relief				

* = Not Shown
** = Included in Brush Assembly 56323285

NOTE: If you have a 120V machine before serial number 1236138, you will need to order Brush Motor Kit PN 56323829 when replacing either the Brush Motor or the Brush Motor Bracket.

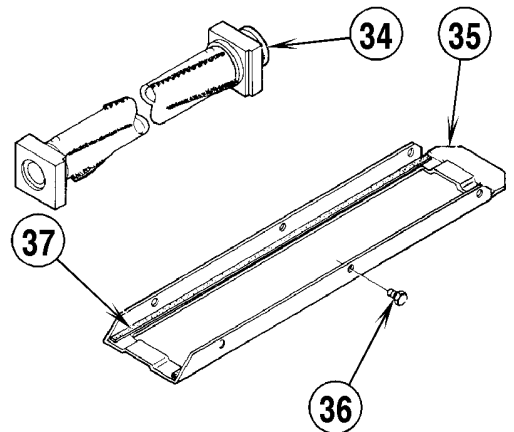
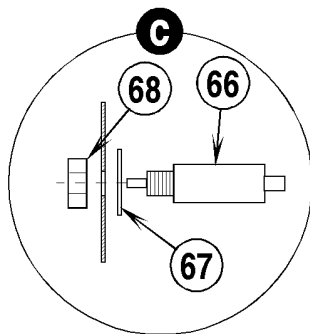
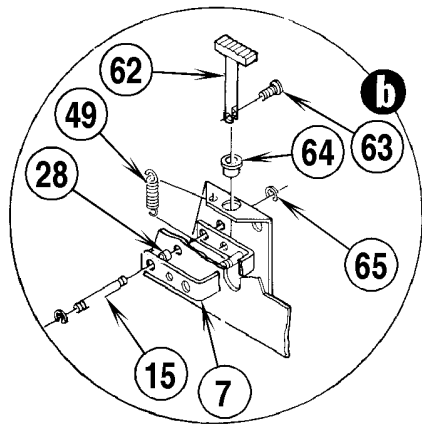
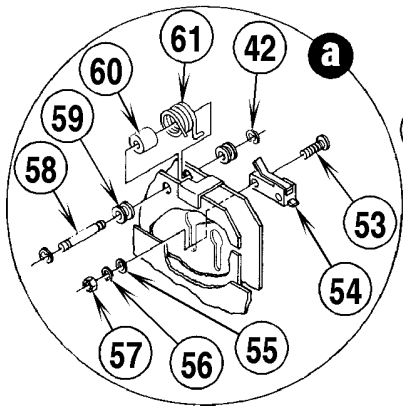
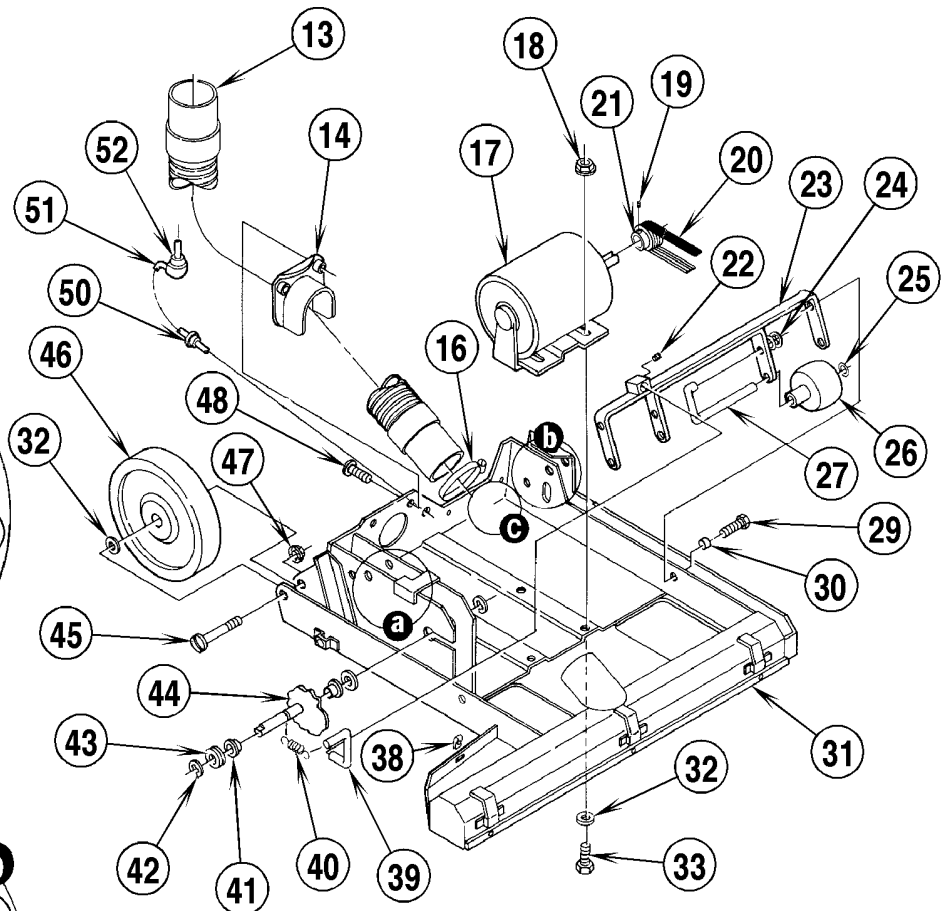
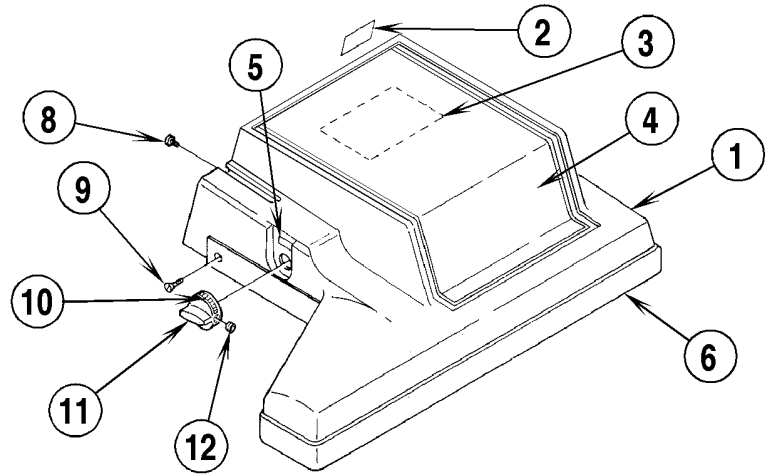


97-12	BASE ASSEMBLY (16XP-100V)			
00-6	Carpetwin™ 16XP / 20XP			11

Item	Ref. No.	Qty	Description	Item	Ref. No.	Qty	Description
	56323785	1	Base Assy Twin 16XP-100V	36	56163015	1	Strain Relief
1	56323168	1	Hose	37	56754199	1	Strain Relief
2	56009120	2	Scr, Pan Phil SS B 1/4-14 x .62	38	56323133	1	Base Cover
3	56323176	1	Baffle	39	56016079	1	Decal, Wiring (100V)
4	56016427	1	Decal, Carpetwin 16	40	56009133	5	Scr, Flt Phil HP5 Loc 10-24 x .50
5	56323787	1	Base Housing	41	56323183	1	Bracket, Motor Mount
6	56325410	1	Knob Insert	42	56323812	1	Brush Motor (100V)
7	56021106	1	Decal, Knob	*	56323097	1	Carbon Brush, Set (for 56323812)
8	56321404	2	Axle Pin	*	56323340	1	Screen
9	56003222	2	Pin, Cotter	*	56002504	1	Scr, Hex Hd 10-24 x .75
10	56009024	4	Wsh, Bowed	*	56002768	1	Nut, Hex Nyl Loc 10-24
	56323102	1	Ratchet Assembly (#11-18)	43	56327530	2	Wheel
11	56323038	1	Link	44	56323156	1	Motor Pulley
12	56325227	3	Nut	45		1	Nut, Hex
13	56325229	1	Pivot Pin	46	56321087	1	Spring
14	56323028	1	Yoke	47	56009030	2	Scr, Pan Phil Thd Form 10-24 x .38
15	56323025	2	Wheel	48	56321520	1	Clamp Nut
16	56323027	1	Ratchet	49	56328598	1	Latch
17	56320484	1	Spring	50	56003267	1	Retaining Ring
18	56323035	1	Ratchet Catch	51	56321068	1	Pin
19	56325213	2	Clamp	52	56323036	1	Pedal
20	56001909	10	Scr, Pan Hd Phil 6-32 x .38	53	56323811	1	Cord (100V)
21	56324502	1	Knob	*	56478246	6	Cable Tie
22	56325225	1	Ratchet Retainer	54	56002146	1	Scr, Pan Phil 8-32 x .62
23	56323055	2	Stop Bushing	55	56002865	1	Nut, Hex Nyl Loc Thin 8-32
*	56002032	2	Scr, Soc 1/4-20 x .62	56	56003393	2	Scr, Hex 6-32 x 1.25
*	56002708	1	Nut, Hex Nyl Loc 1/4-20	57	56002006	2	Wsh, Flt SAE #6
24	56003268	2	Retaining Ring	58	56323271	1	Brush Motor Switch
25	56323353	1	Pin	*	56323803	1	Wire (COM term.)
26	56328642	1	Groove Pin	*	56323267	1	Wire Ring /M. Tab (N.C. term.)
27	56002562	3	Nut, Keps 8-32	59	56323272	1	Terminal Cover
28	56017025	1	Decal, Warning Japan (100V)	60	56321615	1	Bracket
29	56002768	6	Nut, Hex Nyl Loc 10-24	61	56376015	1	Nut Plate
30	56002503	4	Scr, Hex 10-24 x .50	62	56323089	2	Pivot Pin
31	56323021	1	Belt	63	56323124	1	Bushing
32	56323082	1	Brush Assembly	64	56323123	1	Torsion Spring
**	56323043	1	Brush	65	56003262	4	Retaining Ring
**	56900137	1	Retaining Ring				
**	56320140	2	Bearing Block				
**	56323031	1	Brush Pulley				
**	56372773	1	Bearing				
33	56325530	1	Shoe				
34	56002396	3	Scr, Flt Phil 8-32 x .50				
35	56002808	4	Nut, Hex Nyl Loc 8-32				

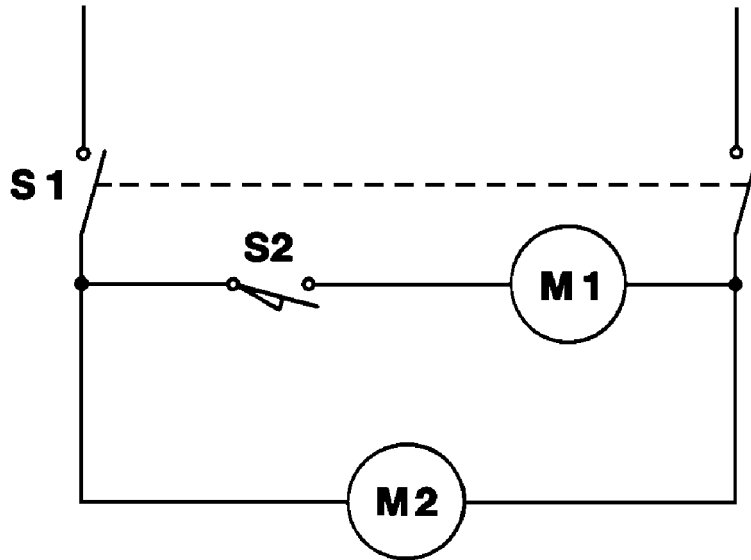
* = Not Shown

** = Included in Brush Assembly 56323082

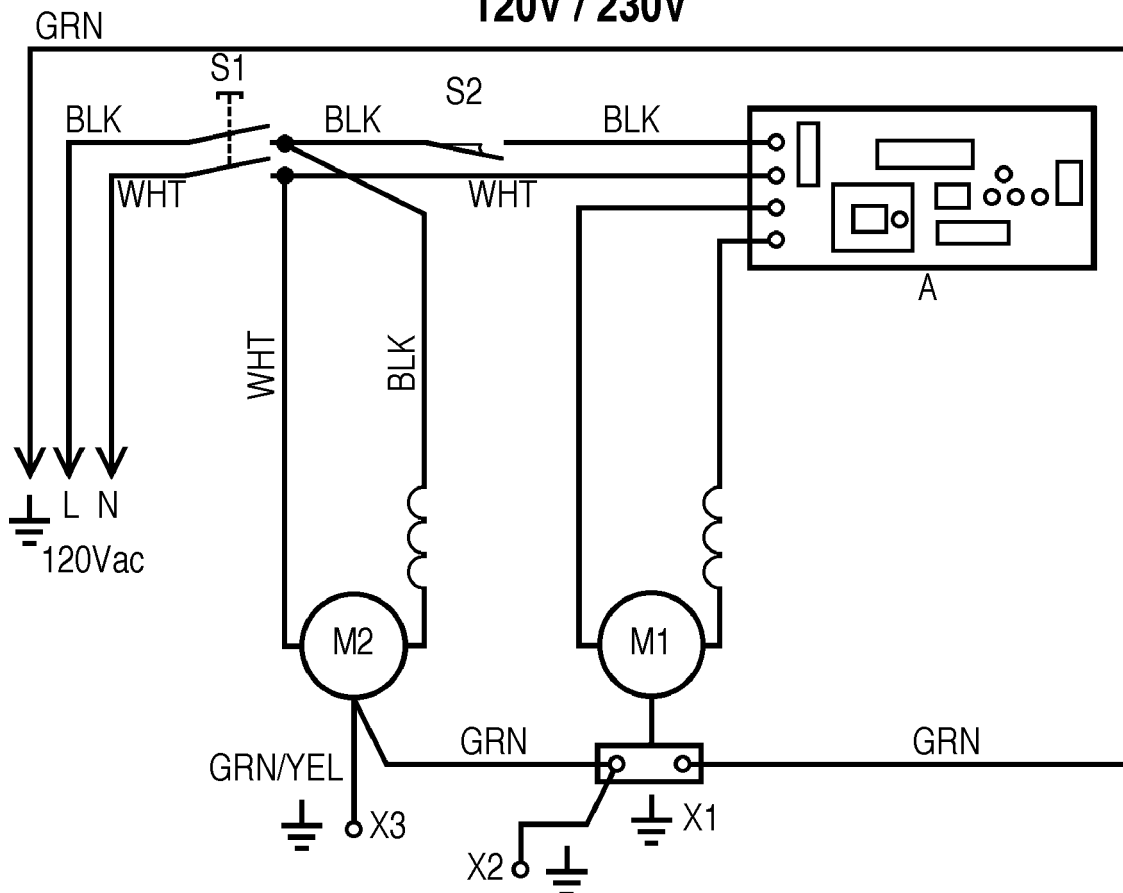


Item	Ref. No.	Qty	Description	Item	Ref. No.	Qty	Description
	56323782	1	Base Assy Twin 20XP-120V	35	56326934	1	Shoe
	56323795	1	Shroud Assembly (#1-6)	36	56009012	6	Scr, Hex Thd Form 10-24 x .38
1	56323796	1	Shroud	37	56330745	4'	Gasket (122 cm)
2	56014369	1	Decal, Warning	38	56328855	4	Spring Nut
3	56015980	1	Decal, Wiring	39	56327657	1	Axle Lever
4	56016484	1	Decal, Carpetwin 20	40	56330642	1	Spring
5	56023290	1	Decal, Brush Adjustment	41	56329105	2	Bearing
6	56326992	1	Bumper	42	56003262	6	Ring, Ret Ext Type E
7	56328561	1	Latch	43	56002063	3	Wsh, Flt SAE 3/8
8	56009051	3	Scr, Pan Phil Thd Form 8-32 x .38	44	56328058	1	Cam
9	56009082	4	Scr, Pan Phil Thd Form 10-24 x .50	45	56002797	2	Scr, Pan Phil 5/16-18 x 1.75
10	56023288	1	Decal, Knob Adjustment	46	56327530	2	Wheel
11	56324502	1	Knob	47	56002826	2	Nut, Hex Nyl Loc-Thin 5/16-18
12	56002160	1	Scr, Set Soc Hd 8-32 x .38	48	56900238	2	Screw
13	56323203	1	Hose	49	56328790	1	Spring
14	56323176	1	Baffle	50	56163015	1	Strain Relief
15	56328707	1	Pin .25 x 1.875	51	56323808	1	Cord
16	56329145	1	Clamp, Hose SAE #24	*	56478246	6	Cable Tie
17	56238160	1	Brush Motor	52	56754199	1	Strain Relief
*	56323809	1	Cord Assy.	53	56002670	2	Scr, Pan Hd Phil 6-32 x 1.50
*	56245234	1	Wire, Ground	54	56327450	1	Switch
18	56002701	6	Nut, Hex Nyl Loc 5/16-18	*	56323807	1	Cord Set
19	56001841	1	Scr, Set Soc Hd 1/4-20 x .25	*	56481882	1	Wire Assy
20	56327478	1	Belt	55	56002006	2	Wsh, Flt SAE #6
21	56327131	1	Sheave	56	56009056	2	Wsh, Int Shprf #6
22	56002086	1	Scr, Set Soc Hd 5/16-18 x .25	57	56009008	2	Nut, Hex 6-32
23	56327607	1	Axle Bracket	58	56329054	2	Pin
24	56325227	2	Nut	59	56329098	4	Bushing
*	56002098	2	Wsh, Flt SAE 1/4	60	56323130	1	Bushing
25	56009125	4	Wsh, Bowed	61	56323129	1	Torsion Spring
26	56323086	2	Wheel	62	56328562	1	Pedal
27	56327668	2	Axle Roller	63	56009042	1	Scr, Pan Phil Thd Form 10-24 x .62
28	56328758	1	Bushing	64	56328723	1	Bushing
29	56002273	2	Scr, Soc Hd 1/4-20 x .88	65	56003268	2	Ring, Ret E TY Ext Reinf
30	56151106	2	Bushing	66	56329177	1	Circuit Breaker 6 Amp
31	56323789	1	Base	67	56009112	1	Wsh, Int Shprf 3/8
32	56001939	10	Wsh, Flt SAE 5/16	68	56171541	1	Nut, Hex 3/8-27
33	56002035	4	Scr, Hex Hd 5/16-18 x .62				
34	56327272	1	Brush Assembly				
**	56327182	1	Pulley	* =	Not Shown		
**	56322420	2	Bearing Block	** =	Included in Brush Assembly 56327272		
**	56372773	2	Bearing				
**	56327255	1	Brush				
**	56327166	1	Tube				
**	56320153	1	Loading Spring				

16XP Wiring Diagram 100V



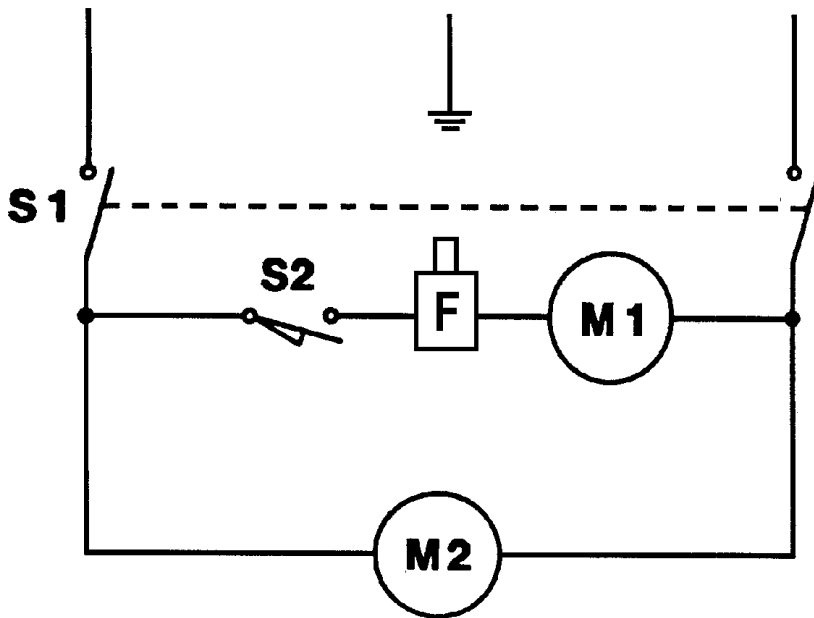
16XP Wiring Diagram 120V / 230V



97-12	WIRING DIAGRAMS (16XP)		
00-6	Carpetwin™ 16XP / 20XP		15

Item	Ref. No.	Qty	Description
100V			
S1	56207077	1	Main Switch
S2	56323271	1	Brush Motor Switch
M1	56323812	1	Brush Motor
*	56323097	1	Carbon Brush, Set (for 56323812)
M2	56323177	1	Vacuum Motor
*	56203518	1	Carbon Brush, Set (for 56323177)
120V / 230V			
A	56323348	1	Circuit Board
S1	56207077	1	Main Switch
S2	56323271	1	Brush Motor Switch
M1	56323802	1	Brush Motor (120V)
	56323826	1	Brush Motor (230V)
*	56323827	2	Carbon Brush for 56323802 / 56323826
M2	56323177	1	Vacuum Motor (120V)
*	56203518	1	Carbon Brush, Set (for 56323177)
	56323373	1	Vacuum Motor (230V)
*	56503017	1	Carbon Brush, Set (for 56323373)
X1			Motor Mount Ground
X2			Yoke Ground
X3			Cover Ground

20XP Wiring Diagram 120V



97-12	WIRING DIAGRAM (20XP)		
00-6	Carpetwin™ 16XP / 20XP		17

Item	Ref. No.	Qty	Description
			120V
S1	56207077	1	Main Switch
S2	56327450	1	Brush Motor Switch
F	56329177	1	Circuit Breaker, 6A
M1	56238160	1	Brush Motor
M2	56323177	1	Vacuum Motor
*	56203518	1	Carbon Brush, Set (for 56323177)



Nilfisk-Advance, Inc.
14600 21st Avenue North
Plymouth, MN, 55447-3408
www.nilfisk-advance.com
Phone: 800-989-2235
Fax: 800-989-6566
©2001 Nilfisk-Advance, Inc.,
Plymouth, MN 55447-3408
Printed in the U.S.A.