

CARPETWIN 20

MODEL 200 AFTER S.N. 969 694

MODEL 200-5 AFTER S.N. 969 844

FORM NO. 042 104

MAY, 1984

PARTS LIST



© 1984 Advance Machine Company, Spring Park, MN 55384-0275

ADVANCE
MACHINE COMPANY

INTERNATIONAL HEADQUARTERS, Spring Park, Minnesota 55384-0275

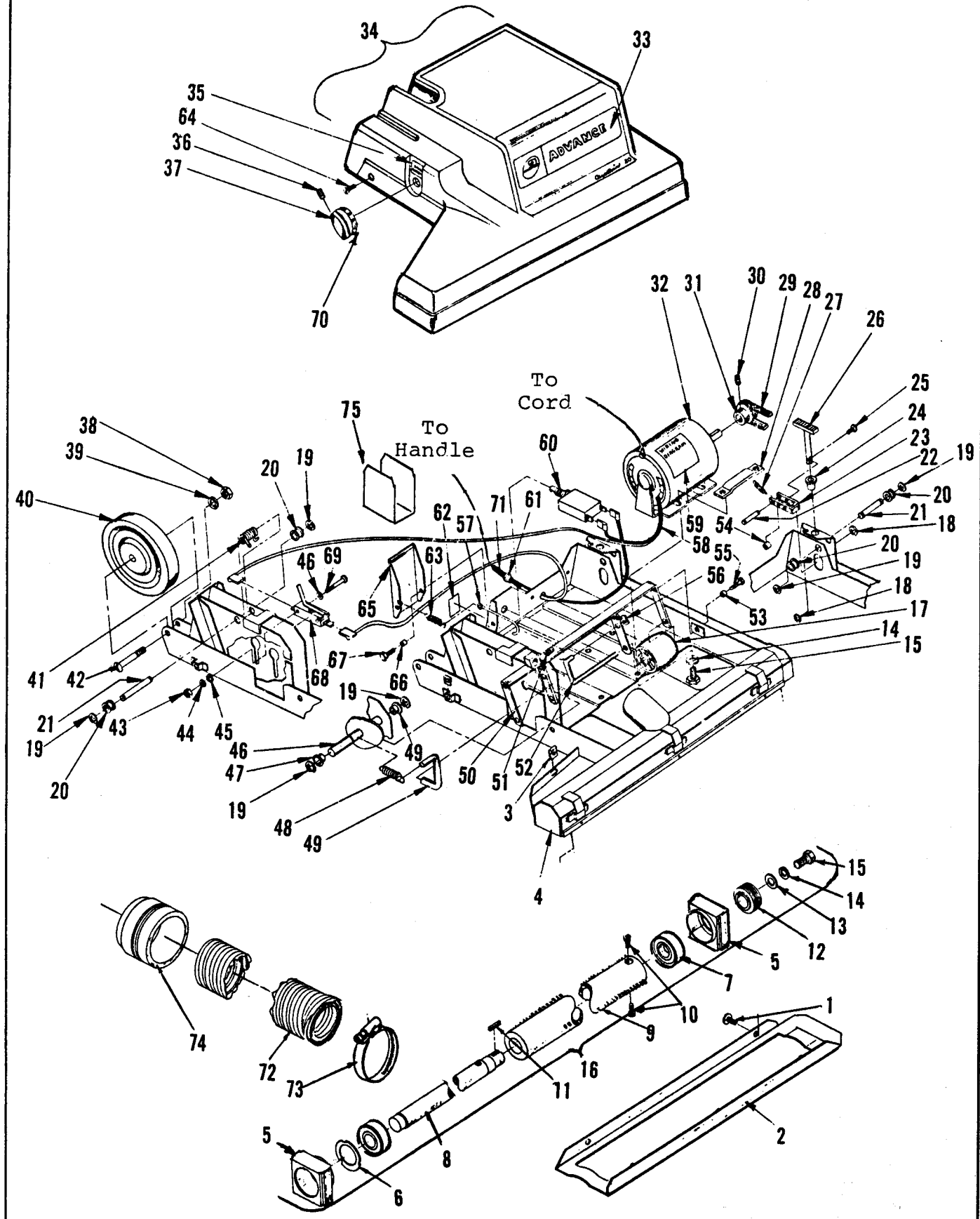
EUROPE, 4 Rue Jean Engling, L-1466 Luxembourg

CANADA, 1295 Crestlawn Drive, Mississauga, Ontario L4W 1A9



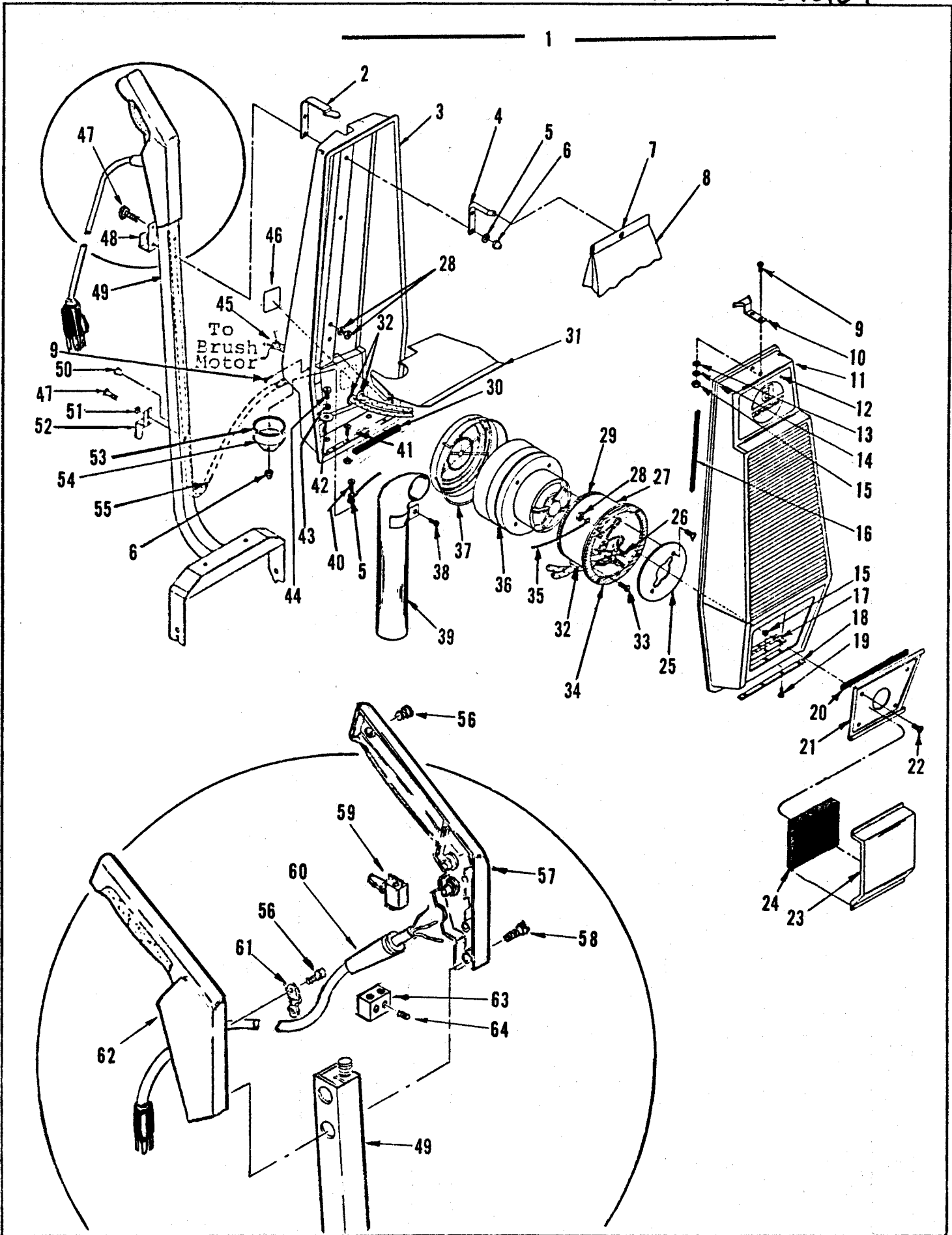
INDEX FOR FORM NUMBER 042104

<u>Description</u>	<u>Location</u>	<u>Page</u>
Bag Housing	C10	3
Base	C8	1
Motor, Vacuum	C12	5
Wiring Diagrams	C13	6



BASE ASSEMBLY

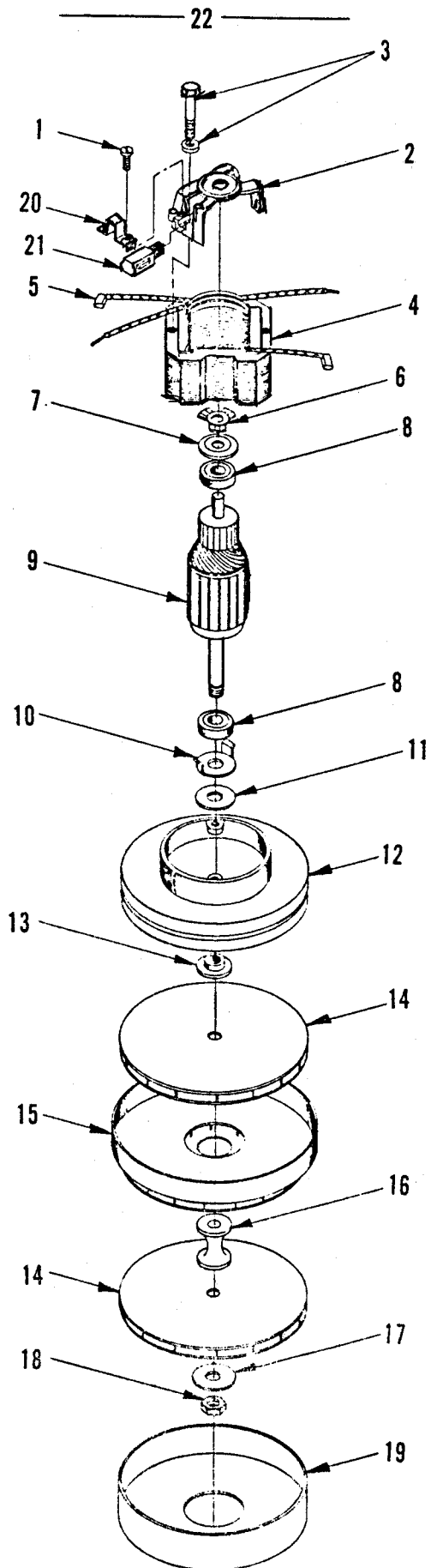
ITEM	PART NO	QTY	DESCRIPTION	ITEM	PART NO	QTY	DESCRIPTION
1		6	SCREW, PAN HD. #10-32 X 3/8				
2	329 934	1	SHOE, BASE				
3	328 855	5	NUT, SPEED #10-24				
4	326 403	1	BASE				
5	322 420	2	BLOCK, BEARING				
6	320 153	1	SPRING, LOADING				
7	372 773	2	BEARING, BRUSH				
8	327 166	1	TUBE ASSEMBLY				
9	327 255	1	BRUSH 20"				
10		2	SCREW, SOC. HD. #10-24 X 1/2				
11	109 258	1	KEY, SHAFT				
12	327 182	1	PULLEY, POLY-V				
13		1	WASHER, FLAT 5/16				
14		5	LOCKWASHER 5/16				
15		5	SCREW, HEX HD. 5/16-18 X 5/8				
16	327 272	1	BRUSH ASSEMBLY 20"				
17	325 244	2	ROLLER, HEIGHT ADJ.				
18	321 125	2	RING, RETAINING				
19	321 427	6	RING, RETAINING				
20	329 098	4	BEARING, NYLINER				
21	329 054	2	PIN, FORK PIVOT				
22	328 707	1	PIN, LATCH PIVOT				
23	328 561	1	LATCH ASSEMBLY				
24	323 723	1	BUSHING				
25		1	SCREW, #10-32 X 1/2				
26	328 562	1	FOOT PEDAL ASSEMBLY				
27	328 790	1	SPRING, FOOT PEDAL				
28	218 065	2	PLATE, NUT				
29	327 476	1	BELT, POLY-V				
30		1	SCREW, SOC. HD. 5/16-18 X 5/16				
31	327 131	1	PULLEY, MOTOR				
32	238 147	1	MOTOR, 1/4 HP 115V				
	238 155	1	MOTOR, 1/4 HP 230V				
	238 139	1	MOTOR, 1/4 HP 115V/50 HZ.				
33	014 305	1	DECAL, ADVANCE				
34	326 990	1	SHROUD ASSEMBLY				
35	023 290	1	DECAL, BRUSH ADJ.				
36		1	SCREW, SOCKET SET #8-32 X 3/8				
37	324 502	1	KNOB, ADJUSTMENT				
38		2	NUT, HEX 5/16-18				
39		2	LOCKWASHER 5/16				
40	327 530	2	WHEEL, 4"				
41	321 397	1	SPRING, TORSION				
42		2	SCREW, PAN HD. 5/16-18 X 1 3/4				
43		2	NUT, HEX #6-32				
44		2	LOCKWASHER, #6				
45		4	WASHER #6				
46	328 058	1	CAM				
47	329 105	2	BEARING, NYLINER				
48	330 642	1	SPRING, ADJUSTMENT				
49	327 657	1	LEVER, AXEL				
50	327 607	1	AXEL				
51		1	SCREW, SET 5/16-18 X 3/8				
52	327 668	2	AXEL, ROLLER				
53	151 106	2	BUSHING, AXEL				
54	328 758	1	SPACER, PEDAL				
55		2	SCREW, HEX HD. 1/4-20 X 3/4				
56	325 227	2	NUT, STUD				
57	329 142	1	HOOK				
58	327 413	1	CORD ASSEMBLY 18/2 X 12 (115V)				
	327 415	1	CORD ASSEMBLY 16/3 X 16 (230V)				
59	014 335	1	DECAL, WIRING 115V				
	014 337	1	DECAL, WIRING 230V				
60	329 177	1	CIRCUIT BREAKER 6.0A 115V				
	329 185	1	CIRCUIT BREAKER 2.7A 230V				
61	163 015	1	STRAIN RELIEF				
62	014 362	1	DECAL, RESET				
63	378 963	1	SPRING, GUARD				
64		4	SCREW, FLAT HD. #10-24 X 1/2				
65	329 137	1	GUARD, HOSE				
66	151 092	2	SPACER, GUARD				
67		2	SCREW, HEX HD. #10-32 X 5/16				
68	327 450	1	SWITCH				
69		2	SCREW, PAN HD. #6-32 X 7/8				
70	023 288	1	DECAL, NUMBER				
71	325 390	1	CORD ASSEMBLY 18/3 X 34 115V				
72	330 090	1	HOSE 2"				
73	440 213	1	CLAMP, HOSE				
74	330 088	1	HOSE CUFF				
75	329 147	1	SHIELD, ELECTRICAL 115V				



HANDLE ASSEMBLY

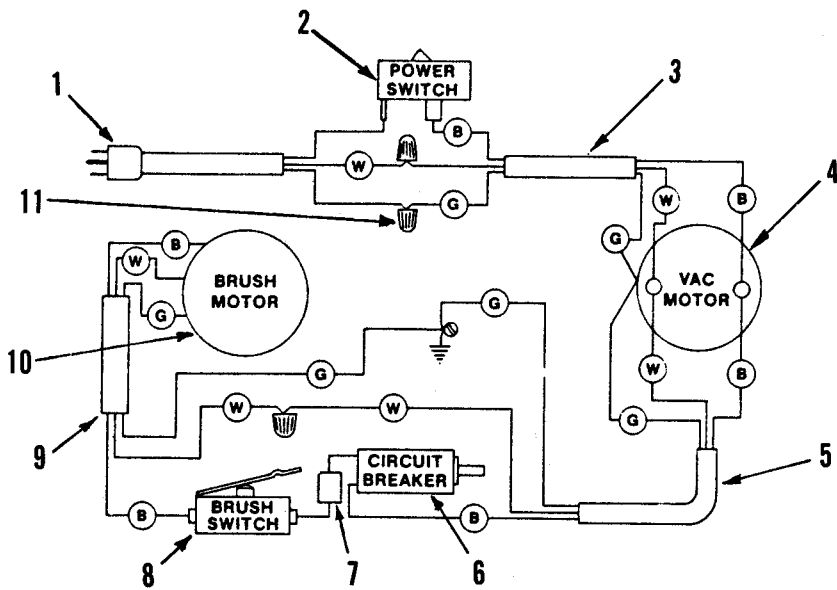
ITEM	PART NO	QTY	DESCRIPTION
1	329 402	1	HANDLE ASSEMBLY 115V
	329 406	1	HANDLE ASSEMBLY 230V
2	325 337	1	LATCH
3	325 322	1	HOUSING, BACK
4	325 164	1	HOOK, BAG
5		6	LOCKWASHER #10
6		6	NUT, ACORN #10-24
7	320 676	1	CLAMP, BAG
8	324 530	1	BAG, CLOTH (SUPPLIED)
	324 531	1	BAG, DISPOSABLE
9		6	SCREW, PAN HD. #6-32 X 5/16
10	325 250	1	STRIKE, LATCH
11	325 297	1	HOUSING, FRONT
12	014 060	1	DECAL, ADVANCE
13		2	WASHER, FLAT SAE #6
14		3	LOCKWASHER #6
15		11	NUT, HEX #6-32
16	325 324	1	GASKET 65-1/2
17	325 205	1	HINGE, HOUSING
18	325 208	1	PLATE, HINGE
19		5	SCREW, PAN HD. #6-32 X 3/8
20	200 754	1	GASKET, 22"
21	325 173	1	PLATE, EXHAUST FILTER
22		4	SCREW, HEX HD. #10-24 X 1 1/4 WITH WASHER
23	325 161	1	DEFLECTOR, AIR
24	325 163	1	FILTER, AIR
25	325 332	1	BAFFLE PLATE
26	321 737	1	WIRE NUT
27	325 120	1	CUP, VAC MOTOR
28		6	NUT, HEX #10-24
29	209 325	1	GASKET, MOTOR
30	385 448	1	GASKET 7"
31	325 138	1	SUPPORT, BAG
32	320 319	4	BUSHING, NYLON .312
33		4	SCREW, PAN HD. #10-24 X 1/2
34	325 148	1	GASKET, CUP
35	325 240	1	CABLE, STOP
36	300 381	1	MOTOR, VACUUM 115V
	300 411	1	MOTOR, VACUUM 230V
37	384 898	1	FILTER, VAC MOTOR
38		2	SCREW, PAN HD. #10-32 X 1/2
39	325 162	1	TUBE, INLET
40		2	SCREW, PAN HD. #10-24 X 5/8
41	325 207	1	PLATE, HOUSING
42	151 114	2	WASHER, FLAT 1/4
43		2	LOCKWASHER 1/4
44		2	SCREW, HEX HD. 1/4-20 X 3/8
45	325 390	1	CORD ASSY. 18/3 X 34 115V
	327 420	1	CORD ASSY. 16/3 X 34 230V
46	015 314	1	DECAL "WARNING"
47		3	SCREW, PAN HD. #10-24 X 1 5/8
48	325 168	1	HOOK, CORD
49	325 430	1	HANDLE
50	361 321	2	CATCH, BULLET
51		2	WASHER, FLAT #10
52	325 166	1	HOOK, SWIVEL CORD
53	325 157	1	O-RING
54	325 160	1	PLATE, KEEPER
55	325 480	1	CORD ASSEMBLY 18/3 X 48 115V
	325 482	1	CORD ASSEMBLY 16/3 X 48 230V
56	329 623	3	SCREW S/T #8-18 X 5/8
57	329 620	1	HANDLE, LEFT
58	329 622	6	SCREW, S/T #8-18 X 1"
59	207 077	1	SWITCH, TOGGLE 115V
	301 636	1	SWITCH, TOGGLE 230V
60	329 628	1	CORD SET ASSEMBLY 40' 115V
	300 227	1	CORD SET ASSEMBLY 40' 230V
61	329 616	1	CLAMP, CORD
62	329 621	1	HANDLE, RIGHT
63	329 612	1	CONNECTOR, GROUND 230V ONLY
64		2	SET SCREW #4-40 X 1/4 (230V ONLY)

ITEM	PART NO	QTY	DESCRIPTION
1	203 263	4	SCREW, COMMUTATOR
2	207 234	1	BRACKET, COMMUTATOR END 115V
	300 406	1	BRACKET, COMMUTATOR END 230V
3	203 494	2	SCREW
4		1	FIELD, 115V
		1	FIELD, 230V
5	203 585	2	CLIP, 230V
6	202 843	1	LOAD SPRING, 115V
7	203 513	1	DISC, 115V
	228 388	1	WASHER, 230V
8	228 051	2	BEARING (1 ONLY USED ON 230V)
9	203 549	1	ARMATURE
10	203 471	1	WASHER, CLAMPING
11	203 459	1	WASHER, FELT
12	301 184	1	BRACKET & SHELL ASSEMBLY, 115V
	301 185	1	BRACKET & SHELL ASSEMBLY, 230V
13	203 424	1	SPACER
14	208 191	2	FAN, ROTATING
15	207 268	1	FAN, STATIONARY
16	203 516	1	SPACER
17	203 432	1	WASHER
18	203 440	1	NUT
19	203 491	1	FAN SHELL
20	207 285	2	CLAMP, BRUSH
21	203 518	1 SET	BRUSH MECHANISM
22	300 411	1	MOTOR VACUUM, 230V



115 VOLT

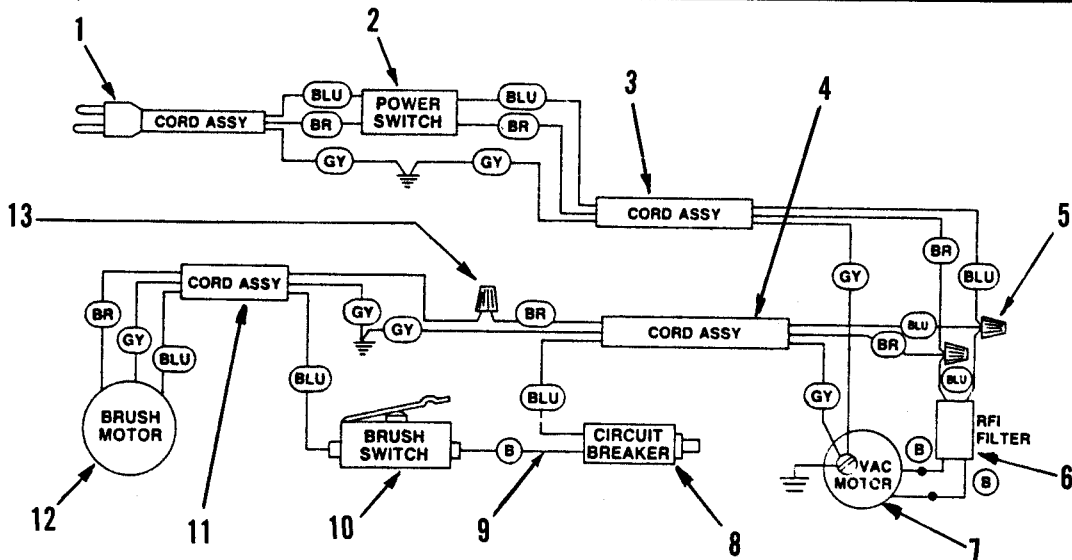
B - BLACK
G - GREEN
W - WHITE



ITEM	PART NO	QTY	DESCRIPTION
1	329 628	1	CORD ASSEMBLY
2	207 077	1	SWITCH, TOGGLE
3	325 480	1	CORD ASSEMBLY
4	300 381	1	MOTOR, VAC
5	325 390	1	CORD ASSEMBLY, 18/3 X 34
6	329 177	1	CIRCUIT BREAKER
7	329 149	1	WIRE ASSEMBLY
8	327 450	1	SWITCH, SNAP
9	327 413	1	CORD ASSEMBLY
10	238 147	1	MOTOR, BRUSH
11	321 737	3	CONNECTOR, WIRE

230 VOLT

BLU = BLUE
BR = BROWN
GY = GREEN/YELLOW
B = BLACK



ITEM	PART NO	QTY	DESCRIPTION
1	300 227	1	CORD ASSEMBLY
2	301 636	1	SWITCH, TOGGLE
3	325 482	1	CORD ASSEMBLY
4	327 420	1	CORD ASSEMBLY
5	220 590	2	CONNECTOR, WIRE
6	322 966	1	FILTER, RFI
7	300 411	1	MOTOR, VAC
8	329 185	1	CIRCUIT BREAKER 2.7A
9	329 149	1	WIRE ASSEMBLY
10	327 450	1	SWITCH, SNAP
11	327 415	1	CORD ASSEMBLY
12	238 155	1	MOTOR, BRUSH
13	321 737	1	CONNECTOR, WIRE