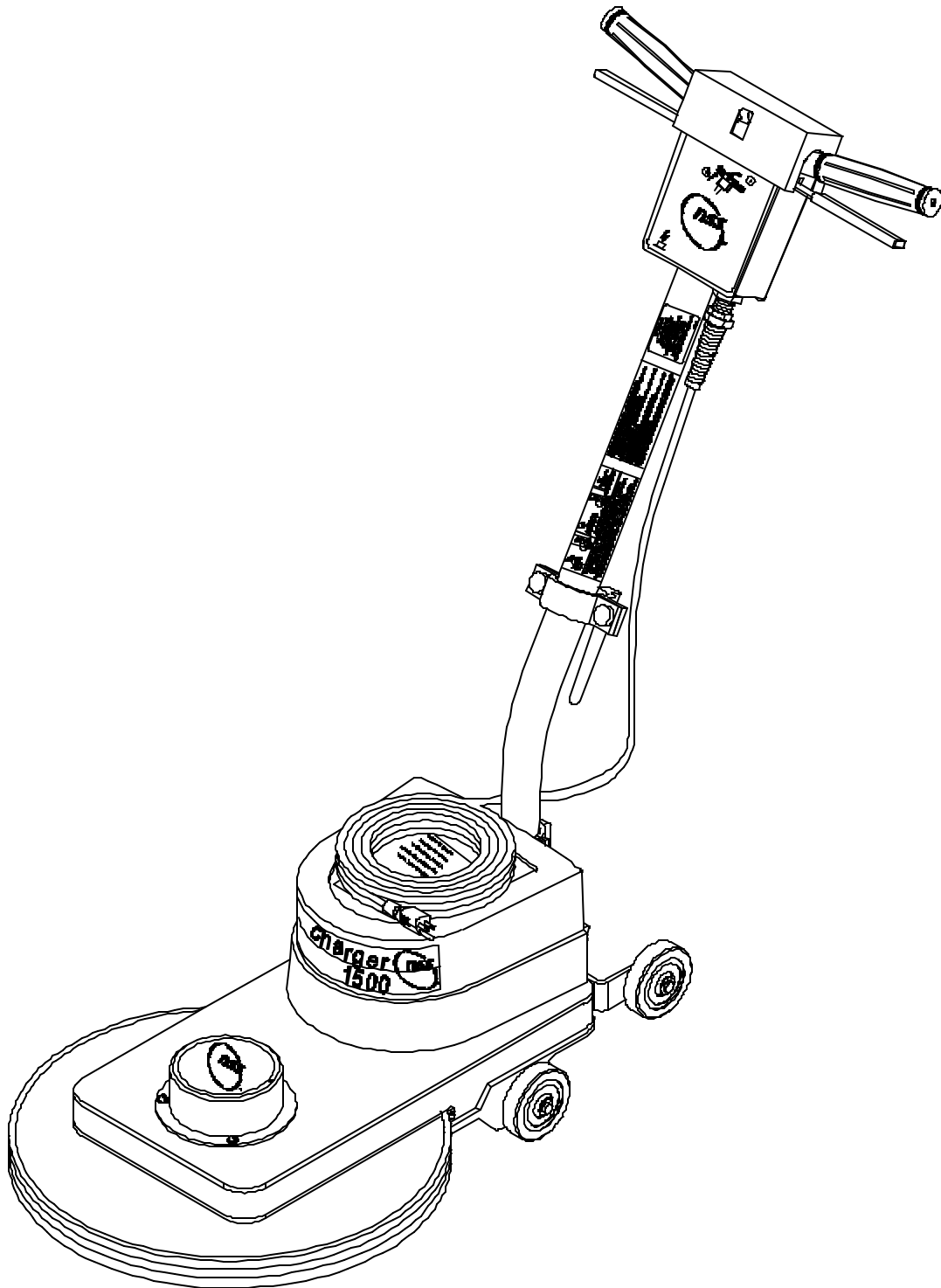


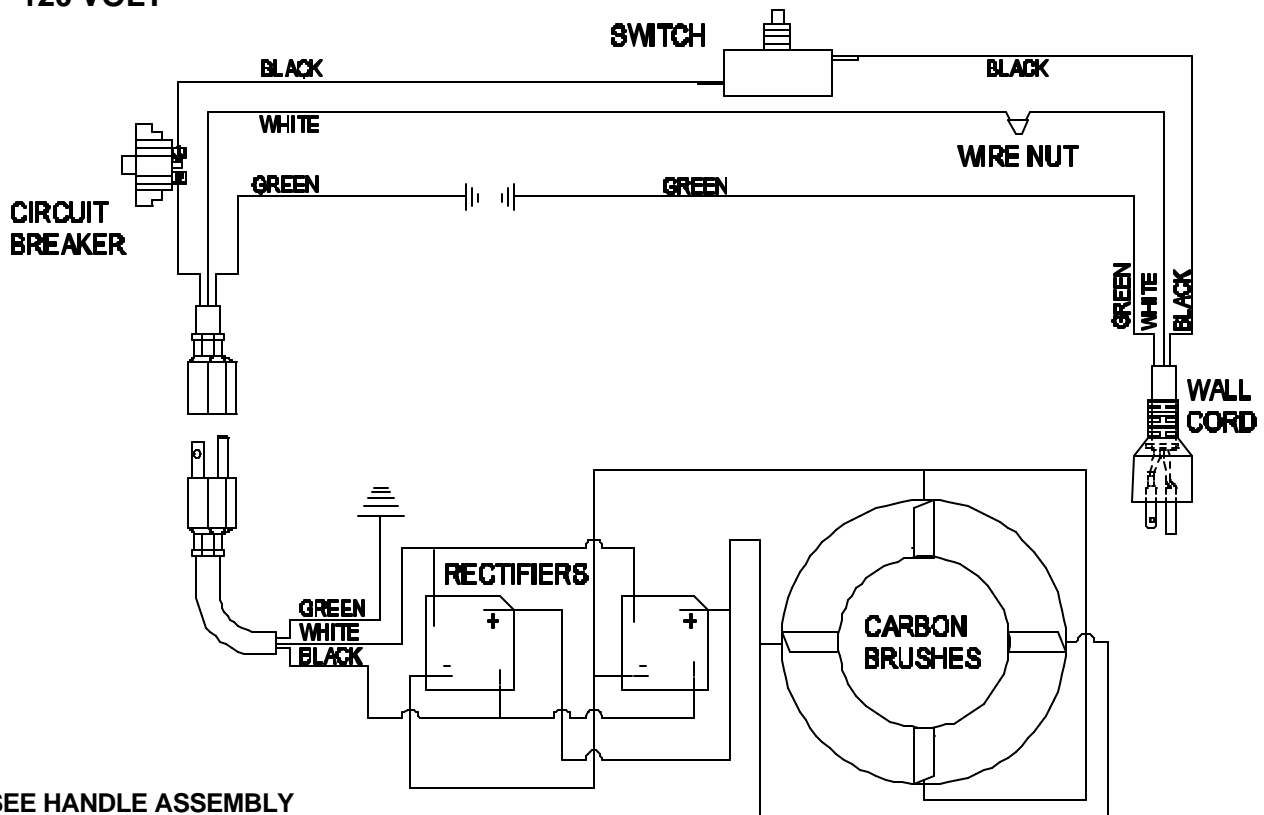
PARTS LIST

ELECTRIC CHARGER 1500



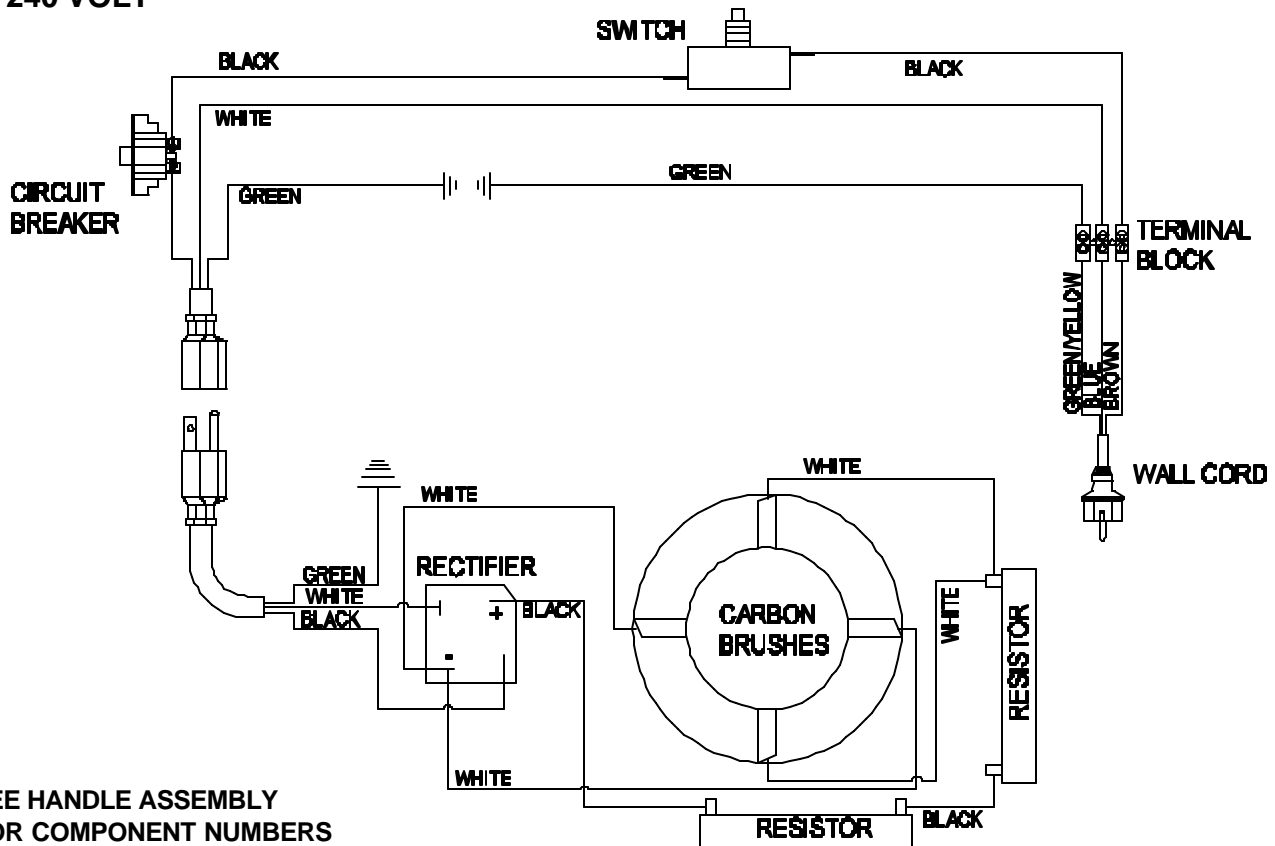
WIRE DIAGRAM

120 VOLT



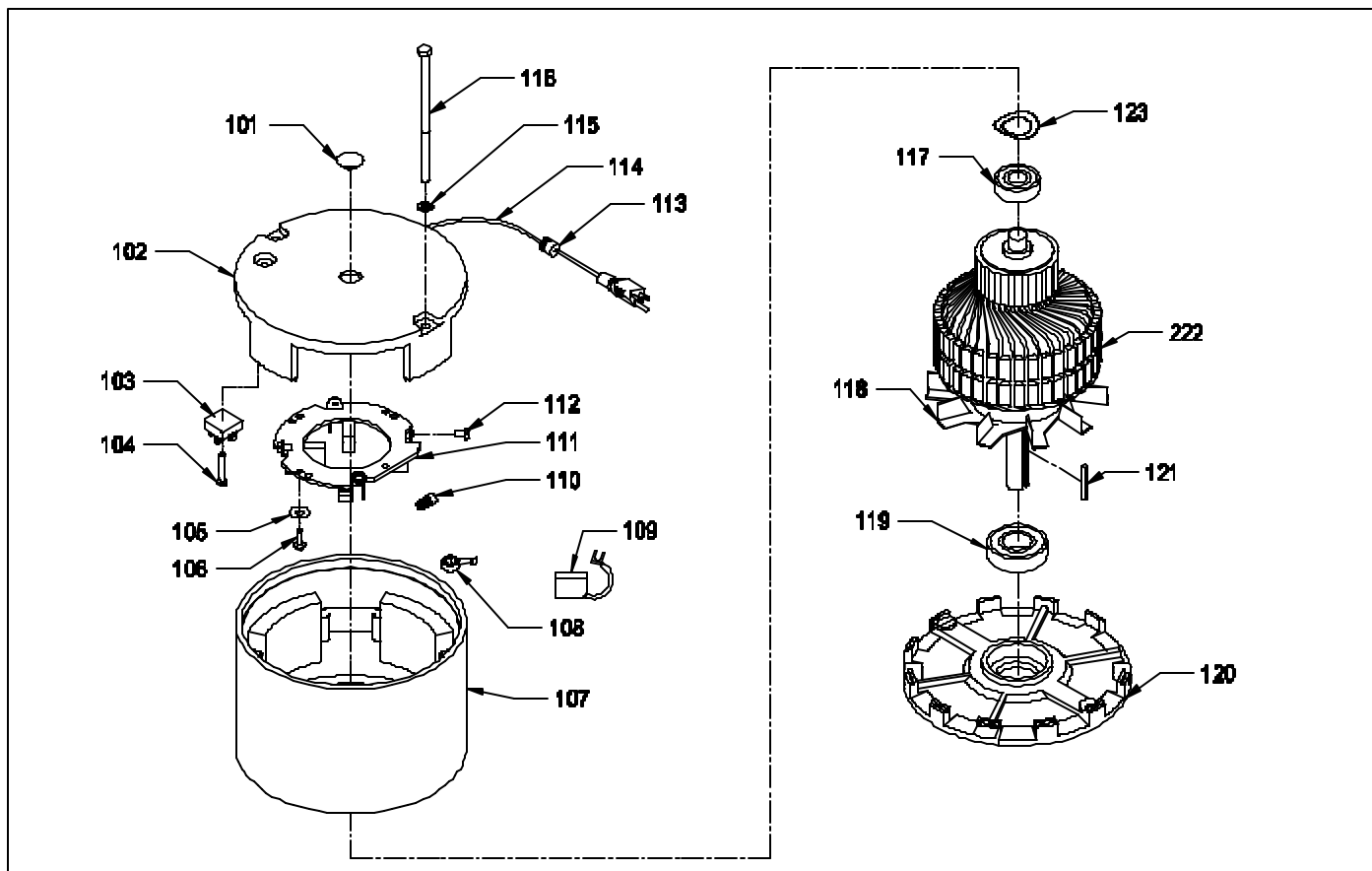
SEE HANDLE ASSEMBLY
FOR COMPONENT NUMBERS

240 VOLT



SEE HANDLE ASSEMBLY
FOR COMPONENT NUMBERS

MOTOR ASSEMBLY

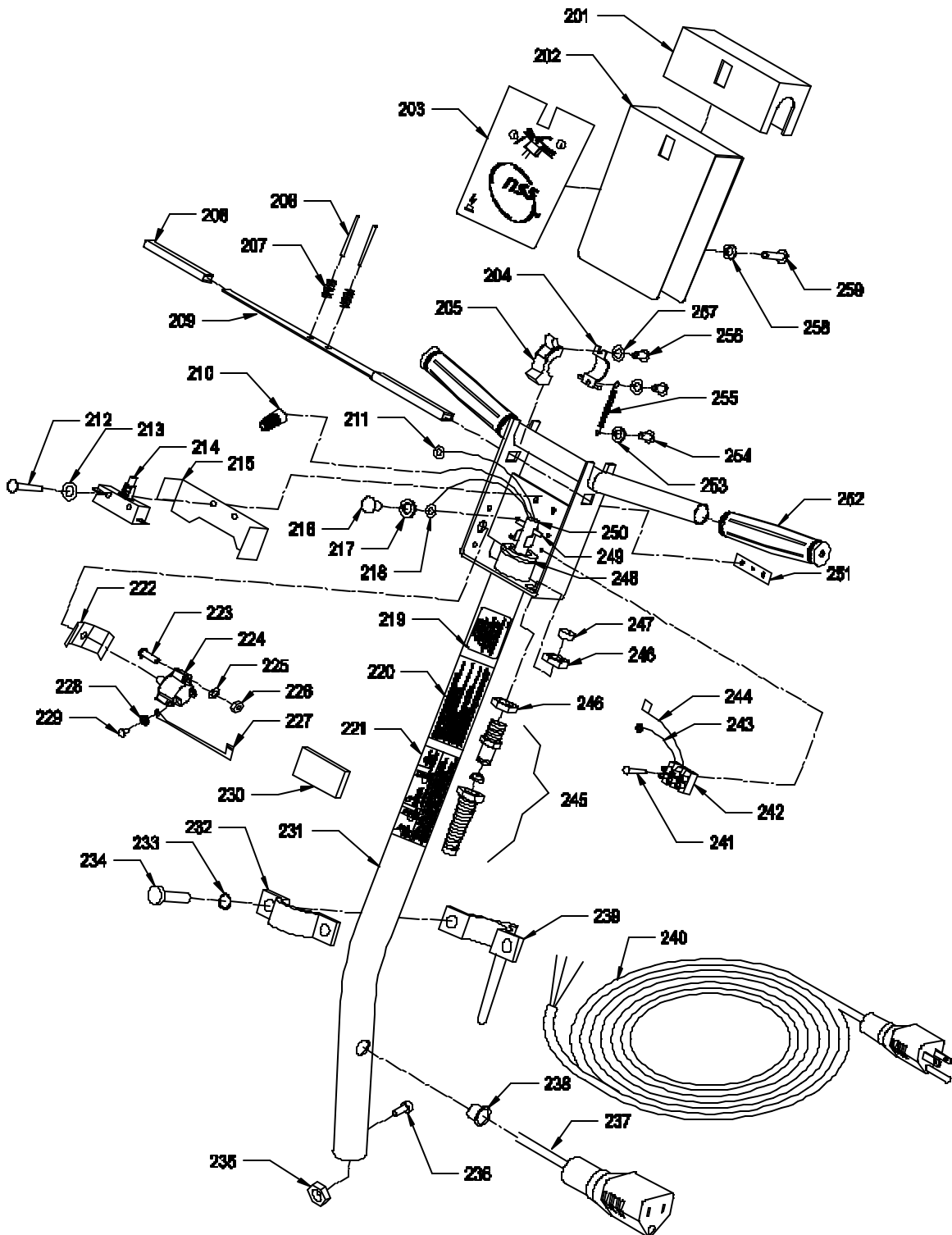


<u>ITEM</u>	<u>PART NO.</u>	<u>PART DESCRIPTION</u>	<u>QTY.</u>
	5293971	MOTOR 120 VOLT - 1 1/2 HP	1
	5295011	MOTOR 240 VOLT - 1 1/2 HP	1
101	-----	PLUG - NOT AVAILABLE	1
102	5294111	TOP END BELL	1
	5294401	TOP END BELL ASSEMBLY WITH PIGTAIL	1
103	5492741	RECTIFIER - 60 AMP - 120 AND 240 VOLT	2
104	9120260	8-32 X 3/4 ROUND HEAD PHILLIPS MACHINE SCREW	1
105	9120330	10 EXTERNAL STAR LOCK WASHER	2
106	9120771	10-32 X 5/8 PAN HEAD PHILLIPS MACHINE SCREW	2
107	5294121	FRAME WITH MAGNETS	1
108	5293881	BRUSH SPRING	4
109	5294051	CARBON BRUSHES	4
110	5390291	WIRE NUT	1
111	5490421	BRUSH RING ASSEMBLY WITH DUAL RECTIFIERS	1
112	9120560	10-24 X 1/4 BINDING HEAD SLOT MACHINE SCREW - BRASS	4
113	5293941	HEYCO STRAIN RELIEF	1
114	5990511	CORD	1
115	9120880	1/4 SPLIT LOCK WASHER	2
116	5492801	1/4-20 X 7 HEX WASHER HEAD THRU BOLT	2
117	5092041	TOP BEARING	1
118	4491731	VENT FAN	1
119	5293461	BOTTOM BEARING	1
120	5294141	BOTTOM END BELL	1
121	9120827	3/16 SQUARE X 1 LONG KEY - STEEL	1
122	5294131	ARMATURE AND VENT FAN ASSEMBLY - 120 VOLT	1
	5294741	ARMATURE AND VENT FAN ASSEMBLY - 240 VOLT	1
123	5293441	1 3/16 I.D. X 1 1/2 O.D. 2 WAVE SPRING WASHER	2

HANDLE ASSEMBLY

ITEM	PART NO.	PART DESCRIPTION	QTY.
	5293999	COMPLETE HANDLE ASSEMBLY - 75 FOOT CORD - 120 VOLT	1
	5296609	COMPLETE HANDLE ASSEMBLY - 75 FOOT SHUKO CORD - 240 VOLT	1
201	5092322	BLACK VINYL COVER	1
202	5391873	COVER - SWITCH BOX	1
203	5392421	DECAL - "SWITCH BOX WITH CIRCUIT BREAKER ICON"	1
204	5390756	LOCKOUT BRACKET	1
205	5390768	LOCK OUT	1
206	9120828	1/8 X 1 3/4 ROLL PIN	2
207	5390171	SWITCH LEVER SPRING	2
208	5390541	GRIP - SWITCH LEVER	2
209	5390776	SWITCH LEVER	1
210	5391321	WIRE NUT - ORANGE - 120 VOLT ONLY	1
211	0294031	# 8 RING TERMINAL	1
212	9120100	6-32 X 1 ROUND HEAD PHILLIPS MACHINE SCREW	2
213	9120130	6 EXTERNAL STAR LOCK WASHER	1
214	5390211	SWITCH	1
215	5390361	SWITCH INSULATOR	1
216	9120380	10-24 X 3/8 ROUND HEAD PHILLIPS MACHINE SCREW	1
217	9120320	10 SPLIT LOCK WASHER	1
218	0298981	# 10 RING TERMINAL 14-16 GAGE	1
219	5392401	DECAL - "WARNING - FIRE"	1
220	0190901	DECAL - "WARNING" - 120 VOLT ONLY	1
	0190921	DECAL - "ICON ADAPTOR" - 240 VOLT ONLY	1
221	0190911	DECAL - "GROUNDING" - 120 VOLT ONLY	1
222	5490441	INSULATION - BREAKER LEAD	1
223	9120430	10-24 X 3/4 ROUND HEAD PHILLIPS MACHINE SCREW	2
224	5294381	17 1/2 AMP CIRCUIT BREAKER - 120 VOLT	1
	5294581	8 AMP CIRCUIT BREAKER - 240 VOLT	1
225	9120320	10 SPLIT LOCK WASHER	2
226	9120360	10-24 HEX NUT WITH STAR LOCK WASHER	2
227	5490451	CIRCUIT BREAKER LEAD - 4"	1
228	9120200	8 SPLIT LOCK WASHER	1
229	9120223	8-32 X 1/4 PAN HEAD PHILLIPS MACHINE SCREW	1
230	5390511	FOAM PAD	1
231	5296761	HANDLE	1
232	5091636	CORD HOOK CLAMP	1
233	9120880	1/4 SPLIT LOCK WASHER	2
234	9121010	1/4-20 X 3/4 TRUSS HEAD PHILLIPS MACHINE SCREW	2
235	9120350	10-24 HEX NUT WITH NY-LOK INSERT	1
236	9120615	10-24 X 3/8 SOCKET HEAD CAP SCREW	1
237	5490861	CORD - HANDLE	1
238	5293131	GROMMET	1
239	5091682	CORD HOOK	1
240	5293791	CORD - 75 FEET - 14-3 - 120 VOLT	1
	0299671	CORD - SHUKO - 75 FEET - 16-3 - 240 VOLT	1
	5091569	CORD - 50 FEET - 14-3 - 120 VOLT - OPTIONAL	1
241	9120080	6-32 X 3/4 ROUND HEAD PHILLIPS MACHINE SCREW - 240 VOLT ONLY	1
242	5391931	TERMINAL BLOCK - 240 VOLT ONLY	1
243	5391921	WIRE - GROUND - 240 VOLT ONLY	1
244	5391911	WIRE - DEAD MAN - 240 VOLT ONLY	1
245	5091671	STRAIN RELIEF - 120 VOLT	1
	0299531	STRAIN RELIEF - 240 VOLT	1
246	5390261	STRAIN RELIEF NUT - 120 VOLT	1
	0891131	PLASTIC STRAIN RELIEF NUT - 240 VOLT	1
247	5092371	STRAIN RELIEF CORD CLAMP - 120 VOLT	1
	0299661	STRAIN RELIEF CORD CLAMP - 240 VOLT	1
248	5091656	7/8 I.D. X 1 3/8 O.D. X .112 THICK FLAT WASHER	1
249	5091661	CORD CLAMP	1
250	8791070	3/8 I.D. X 1/2 O.D. VINYL HOSE	4"

HANDLE ASSEMBLY

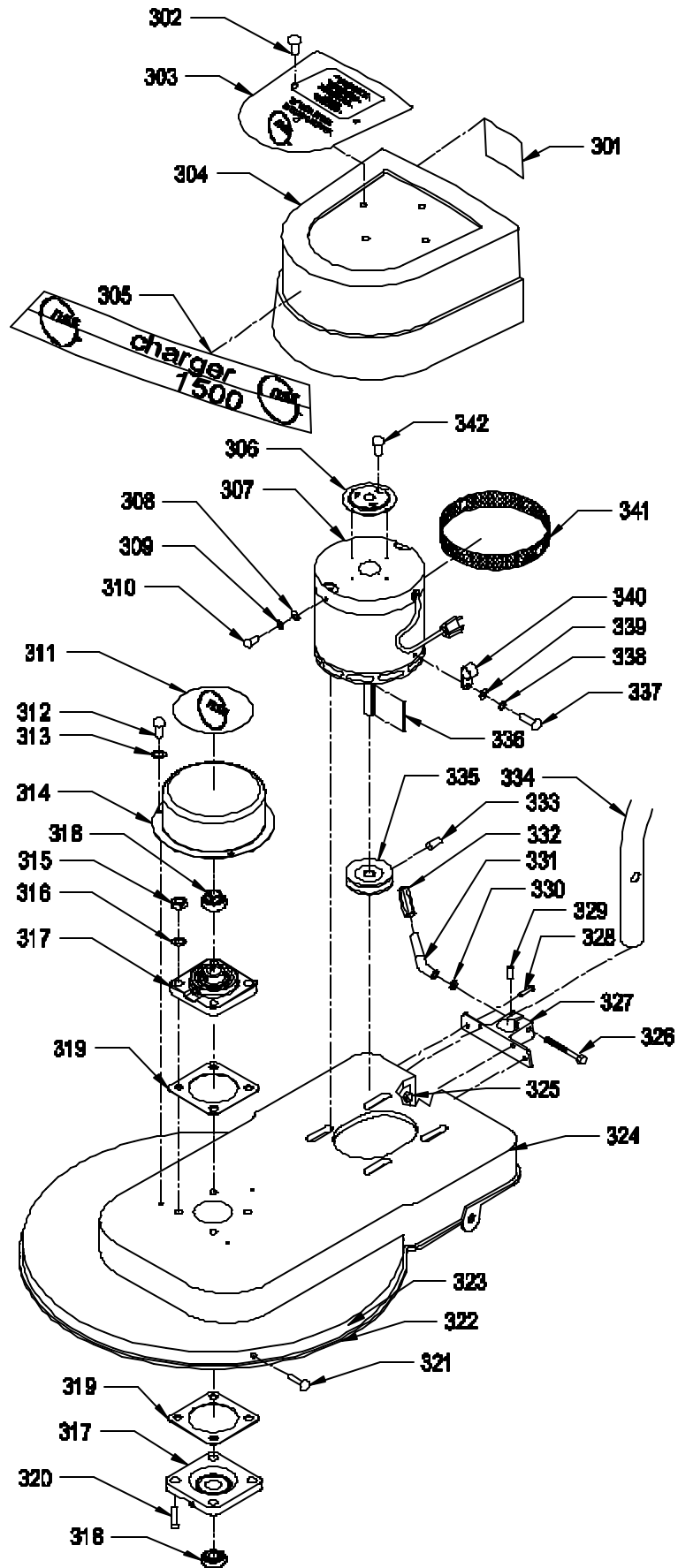


251	9120025	6-32 DOUBLE HOLE SWITCH SPEED NUT	1
252	5091611	HANDLE GRIP	2
253	9120320	10 SPLIT LOCK WASHER	1
254	9120380	10-24 X 3/8 ROUND HEAD PHILLIPS MACHINE SCREW	1
255	5092561	SPRING	1
256	9120050	6-32 X 5/16 ROUND HEAD PHILLIPS MACHINE SCREW	2
257	9120130	6 EXTERNAL STAR LOCK WASHER	2
258	9120320	10 SPLIT LOCK WASHER	1
259	9120430	10-24 X 3/4 ROUND HEAD PHILLIPS MACHINE SCREW	1

BASE ASSEMBLY - UPPER

<u>ITEM</u>	<u>PART NO.</u>	<u>PART DESCRIPTION</u>	<u>QTY.</u>
301	5296411	DECAL KIT - "HANDLE LOCK"	1
302	9120210	8-32 X 1/4 TRUSS HEAD MACHINE SCREW	4
303	5296411	DECAL KIT - "TOP MOTOR"	1
304	5294451	MOTOR COVER	1
305	5296411	DECAL KIT - "FRONT STRIP"	1
306	5294706	COVER STAND OFF PLATED	1
307	5293971	MOTOR 120 VOLT - 1 1/2 HP	1
	5295011	MOTOR 240 VOLT - 1 1/2 HP	1
308	9120370	7/32 I.D. X 1/2 O.D. X .032/.065 THICK FLAT WASHER	6
309	9120320	10 SPLIT LOCK WASHER	6
310	9120380	10-24 X 3/8 ROUND HEAD PHILLIPS MACHINE SCREW	6
311	5296411	DECAL KIT - "DECK TOP"	1
312	9120380	10-24 X 3/8 ROUND HEAD PHILLIPS MACHINE SCREW	3
313	9120320	10 SPLIT LOCK WASHER	3
314	5293103	BEARING COVER	1
315	9121420	5/16-18 HEX NUT	4
316	9121520	5/16 SPLIT LOCK WASHER	4
317	5294269	BEARING KIT - INCLUDES:	2
	5294271	PILLOW BLOCK AND BEARING	1
318	5293551	BEARING - REPLACEMENT ONLY	2
319	5294261	BEARING PLATE	1
320	9121800	5/16-18 X 2 HEX BOLT	4
321	9120600	10-24 X 1/2 PAN HEAD PHILLIPS THREAD CUTTING SCREW	2
322	5293111	BUMPER	1
323	5293122	BUMPER STRAP	1
324	5293015	DECK	1
325	9120900	1/4-20 HEX NUT WITH NY-LOK INSERT	4
326	9122657	1/2-13 X 3 LOCKING HEX BOLT	1
327	5293073	HANDLE CASTING	4
328	9121060	1/4-20 X 1 1/4 HEX BOLT	4
329	9120850	1/4-20 X 5/16 SET SCREW KNURL POINT	2
330	9122450	17/32 I.D. X 1 1/16 O.D. X .074/.121 THICK FLAT WASHER (1/2)	1
331	5293273	LOCK HANDLE	1
332	5091621	HANDLE GRIP	1
333	9121380	5/16-18 X 3/8 SET SCREW - KNURL POINT	1
334	5296761	HANDLE	1
335	5294491	PULLEY	1
336	9120827	3/16 SQUARE X 1 LONG KEY	1
337	9120380	10-24 X 3/8 ROUND HEAD PHILLIPS MACHINE SCREW	1
338	9120320	10 SPLIT LOCK WASHER	1
339	9120370	7/32 I.D. X 1/2 O.D. X .032/.065 THICK FLAT WASHER	1
340	5294201	NYLON CABLE CLAMP	1
341	5294561	MOTOR GUARD - 120 VOLT ONLY	1
342	9120740	10-32 X 3/8 TRUSS HEAD PHILLIPS MACHINE SCREW	1

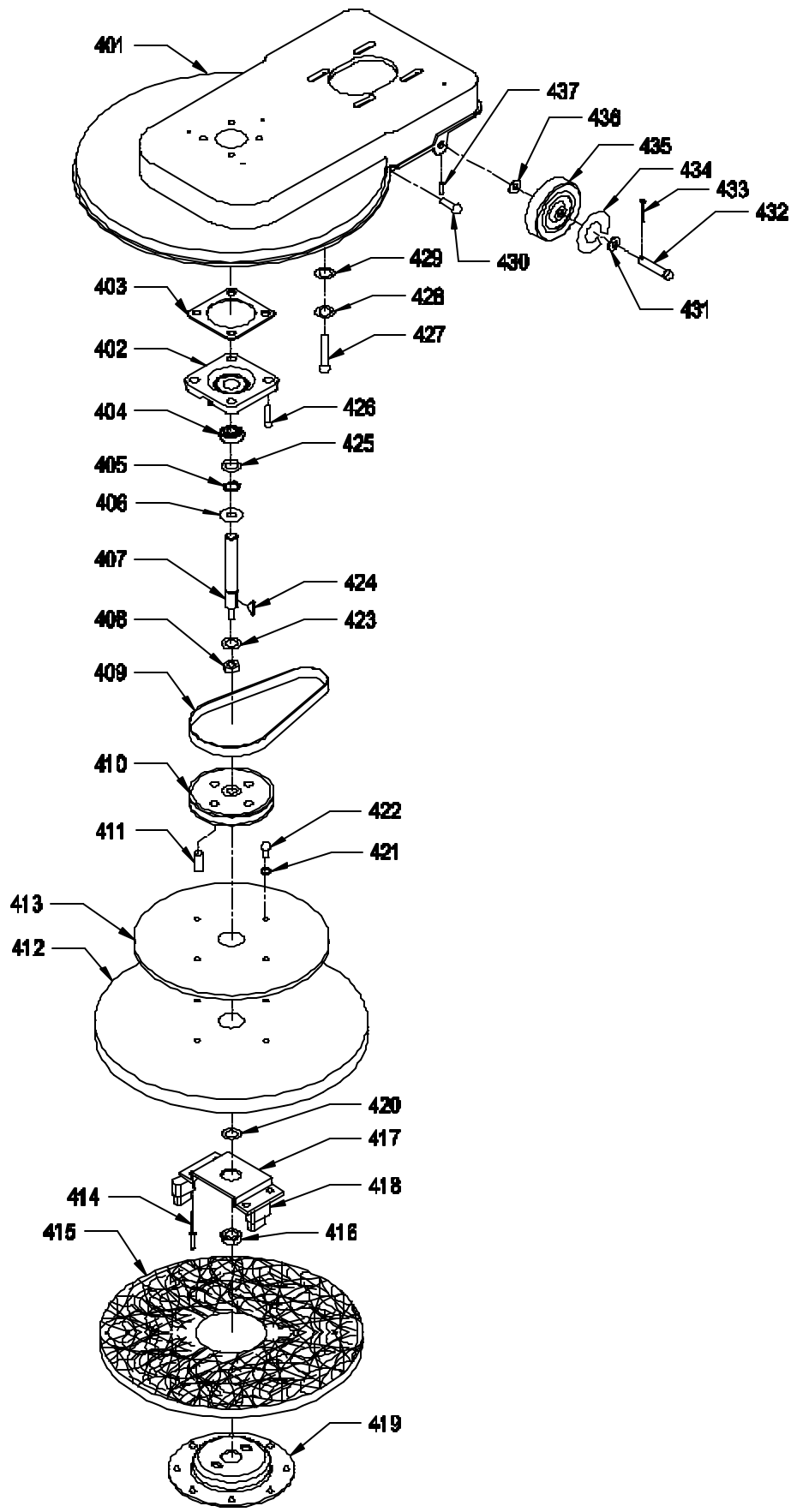
BASE ASSEMBLY - UPPER



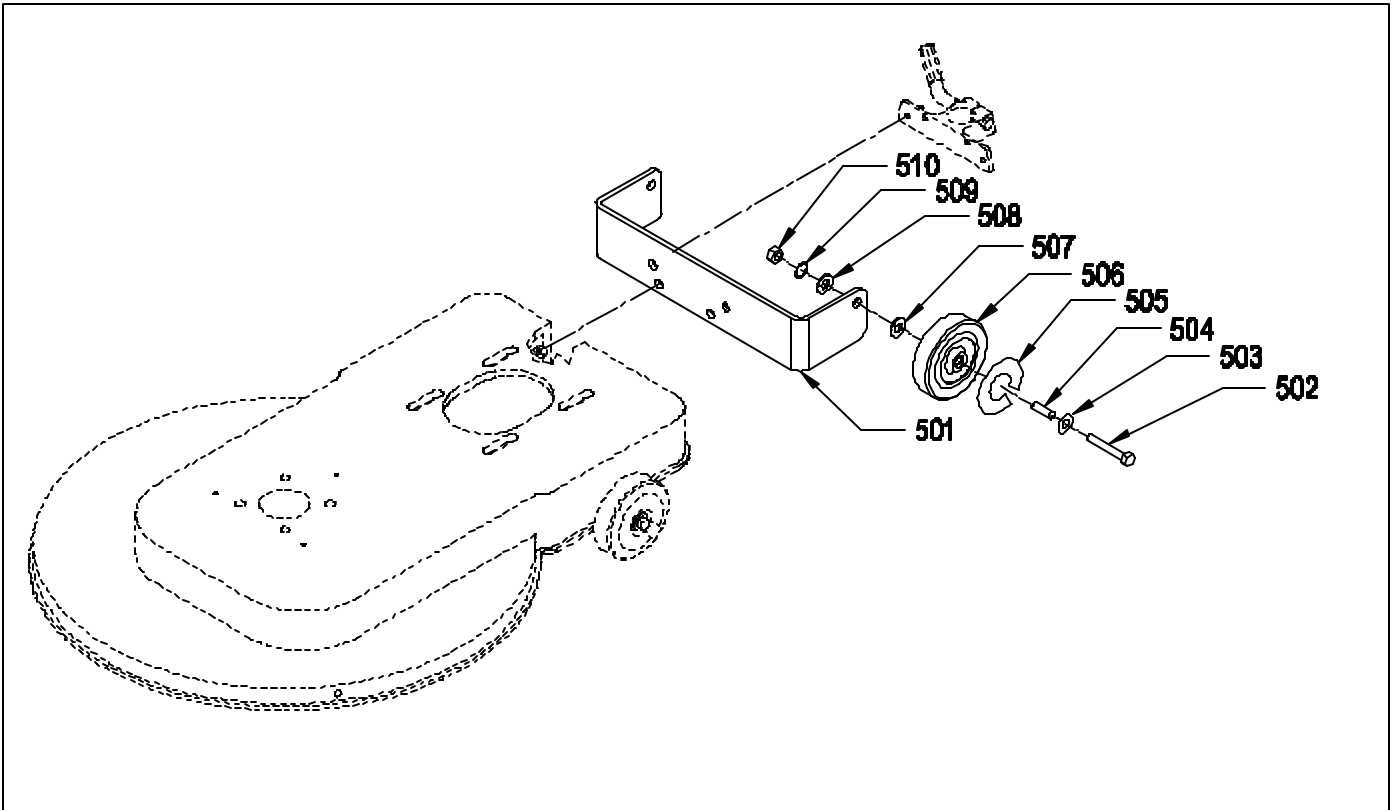
BASE ASSEMBLY - LOWER

ITEM	PART NO.	PART DESCRIPTION	QTY.
401	5293015	DECK	1
402	5294269	BEARING KIT - INCLUDES:	2
	5294271	PILLOW BLOCK AND BEARING	1
403	5294261	BEARING PLATE	1
404	5293551	BEARING - REPLACEMENT ONLY	2
405	5293151	RETAINING RING	1
406	9123105	3/4 I.D. X 1 1/4 O.D. X .071/.083 THICK FLAT WASHER (11 GAGE)	1
407	5293532	SHAFT	1
408	9122507	1/2-13 HEX NUT WITH NY-LOK INSERT	1
409	5294501	BELT	1
410	5293059	PULLEY - INCLUDES:	1
411	9121043	1/4 X 1 1/8 ROLL PIN	4
412	5294339	PAD DRIVER - INCLUDES:	1
413	5293043	PAD DRIVER PLATE	1
414	9120313	9/32 X 1/32 FLAT HEAD RIVET	4
415	————	PAD - SEE ACCESSORIES PAGE FOR DIFFERENT TYPES	1
416	9122507	1/2-13 HEX NUT WITH NY-LOK INSERT	1
417	5294239	PAD HOLDER COMPLETE ASSEMBLY - INCLUDES:	1
	5294219	PAD HOLDER BRACKET WITH TWIST FASTENERS - INCLUDES:	1
	5294216	PAD HOLDER BRACKET	1
418	5294221	TWIST FASTENER	2
419	5294151	PAD HOLDER CUP	1
420	9122470	9/16 I.D. X 1 3/8 O.D. X .086/.132 THICK WROUGHT WASHER (1/2)	1
421	9120320	10 SLPIT LOCK WASHER	4
422	9120770	10-32 X 5/8 ROUND HEAD PHILLIPS MACHINE SCREW	4
423	9122470	9/16 I.D. X 1 3/8 O.D. X .086/.132 THICK WROUGHT WASHER (1/2)	1
424	9120013	3/16 X 1/2 WOODRUFF KEY - STEEL	1
425	9123105	3/4 I.D. X 1 1/4 O.D. X .071/.083 THICK FLAT WASHER (11 GAGE)	1
426	9121800	5/16-18 X 2 HEX BOLT	4
427	9122320	3/8-16 X 1 1/4 SOCKET HEAD CAP SCREW	1
428	9122100	3/8 SPLIT LOCK WASHER	1
429	9121985	13/32 I.D. X 1 O.D. X .12 THICK FLAT WASHER (11 GAGE)	2
430	9120450	10-24 X 1 ROUND HEAD PHILLIPS MACHINE SCREW	2
431	9122465	.516 I.D. X .813 O.D. X .027/.030 THICK FLAT WASHER	2
432	9122685	1/2 X 2 7/8 CLEVIS PIN	2
433	9120312	1/8 X 1 HUMPED COTTER PIN	2
434	5296411	DECAL KIT - "WHEEL COVER"	2
435	5092591	WHEEL - 5" - WITH PLASTIC BEARING	2
436	9122465	.516 I.D. X .813 O.D. X .027/.030 THICK FLAT WASHER	2
437	9120850	1/4-20 X 5/16 SET SCREW KNURL POINT	4

BASE ASSEMBLY - LOWER



WHEEL CARRIAGE OPTION



<u>ITEM</u>	<u>PART NO.</u>	<u>PART DESCRIPTION</u>	<u>QTY.</u>
	5294449	WHEEL CARRIAGE ASSEMBLY	1
501	5294443	WHEEL BRACKET	1
502	9122080	3/8-16 X 2 1/2 HEX BOLT	2
503	9122705	1/2 I.D. X 3/4 O.D. X .01 THICK - 1 WAVE SPRING WASHER (1/2)	2
504	5294391	SPACER	2
505	5296411	DECAL KIT - "WHEEL COVER"	2
506	5092591	WHEEL 5" WITH PLASTIC BEARING	2
507	9122705	1/2 I.D. X 3/4 O.D. X .01 THICK - 1 WAVE SPRING WASHER (1/2)	2
508	9122180	13/32 I.D. X 13/16 O.D. X .051/.080 THICK WROUGHT WASHER (3/8)	1
509	9122100	3/8 SPLIT LOCK WASHER	1
510	9122000	3/8-16 HEX NUT	1

ACCESSORIES



<u>PART NO.</u>	<u>PART DESCRIPTION</u>
------------------------	--------------------------------

NOTE:

ALL PADS COME 5 PADS PER CASE

7992051	20" LITE BLUE POLISH / BURNISH PAD - FOR SOFT FINISH
---------	--

7992061	20" LITE HAIR BURNISH PAD - FOR ALL FINISHES
---------	--

7992081	20" ULTRA HAIR HARD FINISH PAD - FOR HARD FINISH
---------	--

7992091	20" ULTIMATE HAIR PAD - HARD FINISH AGGRESSIVE BURNISHING
---------	---

7992021	20" GREEN SCRUB PAD - HEAVY FINISH REMOVAL
---------	--

7992001	20" BLACK STRIP PAD - REMOVES FINISH COMPLETELY
---------	---

7992011	20" BROWN STRIP PAD - REMOVES FINISH COMPLETELY
---------	---



NSS ® Enterprises, Inc.

3115 Frenchmens Road, Toledo, Ohio 43607
PHONE (419) 531-2121 FAX (419) 531-3761

NSS ® Enterprises, Inc. European Distribution Centre
Unit II, Pinfold Trading Estate * 55 Nottingham Road
STAPLEFORD, NOTTINGHAM NG9 8AD ENGLAND U.K.
PHONE: (44) 0115 939 1568 * FAX: (44) 0115 949 0615