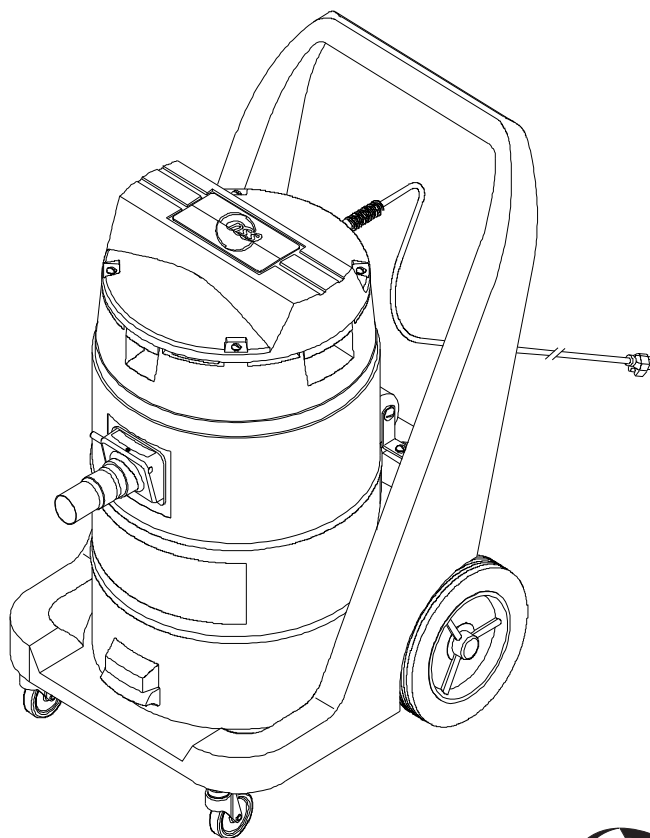
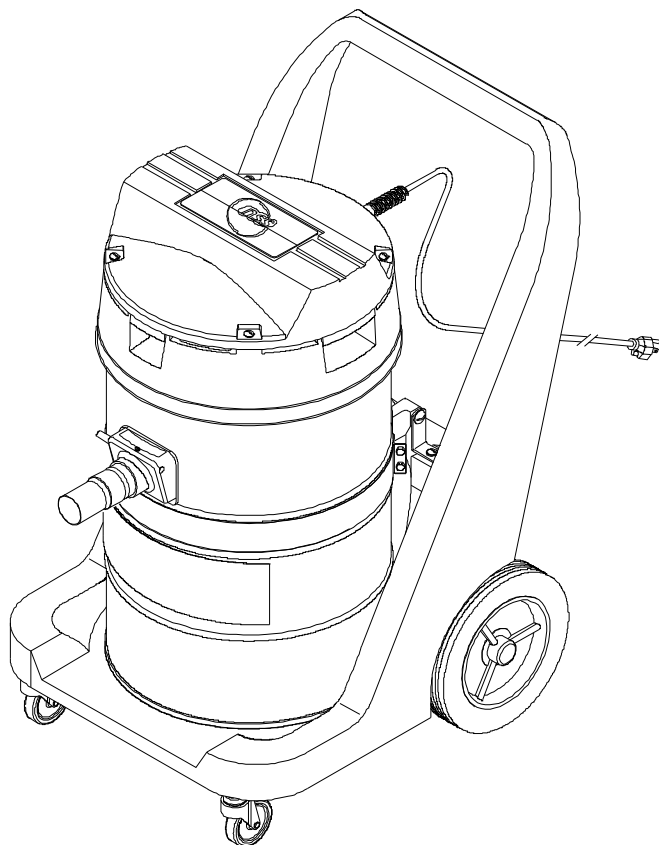
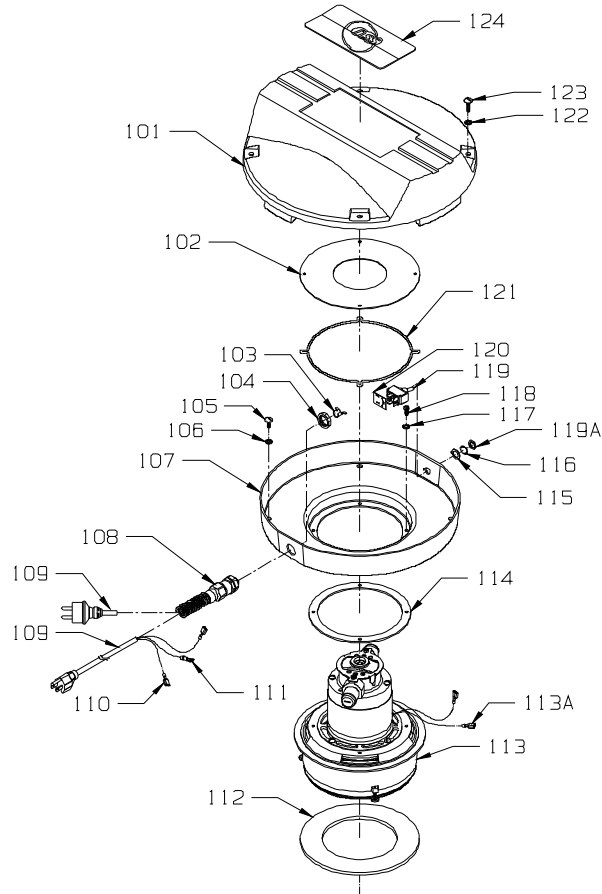


PARTS LIST  
**BP RANGER 1250 & 1450**

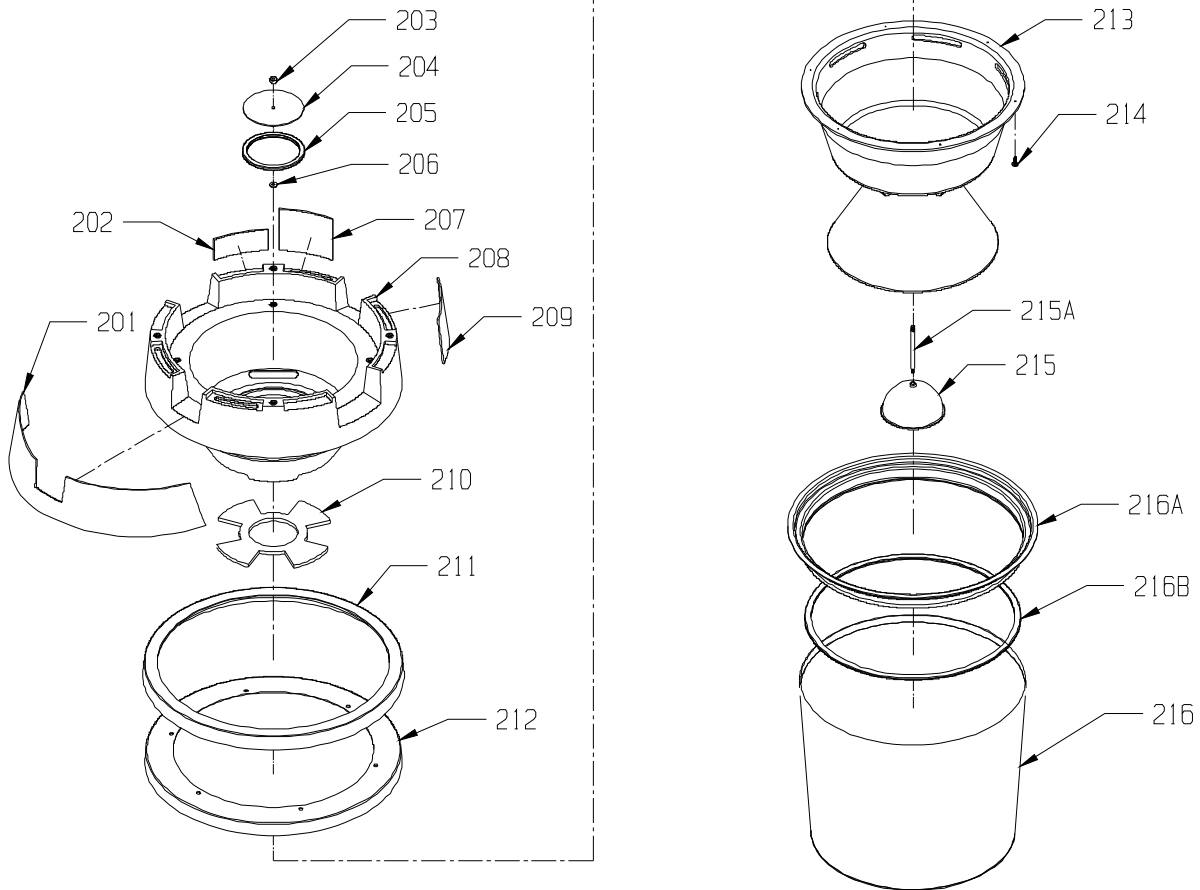


## MOTOR / LID



<b>ITEM</b>	<b>PART NO.</b>	<b>PART DESCRIPTION</b>	<b>QTY.</b>
101	0891001	TOP COVER	1
102	0798691	UPPER AIR SEAL	1
103	0299661	STRAIN RELIEF CORD CLAMP	1
104	0891131	STRAIN RELIEF NUT	1
105	9121040	1/4-20 X 5/8 ROUND HEAD PHILLIPS MACHINE SCREW	4
106	9120970	1/4-20 EXTERNAL STAR LOCK WASHER	4
107	0891031	AIR SEPARATOR	1
108	0299531	STRAIN RELIEF	1
109	0693231	CORD - 120 VOLT - STWA - 50 FT.	1
109	0299671	SHUKO CORD - 240 VOLT ONLY	1
110	5490161	FULLY INSULATED FEMALE TERMINAL 14-16 GAGE	2
111	0298981	#10 RING TERMINAL 14-16 GAGE	1
112	0891081	LOWER SEAL GASKET	1
113	0891169	VAC MOTOR AND FAN ASSEMBLY 115 VOLT - INCLUDES:	1
113A	5490161	FULLY INSULATED FEMALE TERMINAL 14-16 GAGE	2
114	0799201	GASKET	1
115	4691621	SWITCH LOCK RING	1
116	0691851	1/2 INTERNAL STAR LOCK WASHER	1
117	9120330	#10 EXTERNAL STAR LOCK WASHER	4
118	9120790	10 X 5/8 PAN HEAD PHILLIPS SHEET METAL SCREW	4
119	0891141	TOGGLE SWITCH - INCLUDES:	1
119A	0798941	9/16" HEX NUT	1
120	0892141	TOGGLE SWITCH INSULATOR	1
121	0798716	SEALING RING	1
122	9120970	1/4-20 EXTERNAL STAR LOCK WASHER	4
123	9121020	1/4-20 X 1 TRUSS HEAD PHILLIPS MACHINE SCREW	4
124	0892401	CLOUD BURST DECAL - 3 3/4 X 8	1

# POWER HEAD

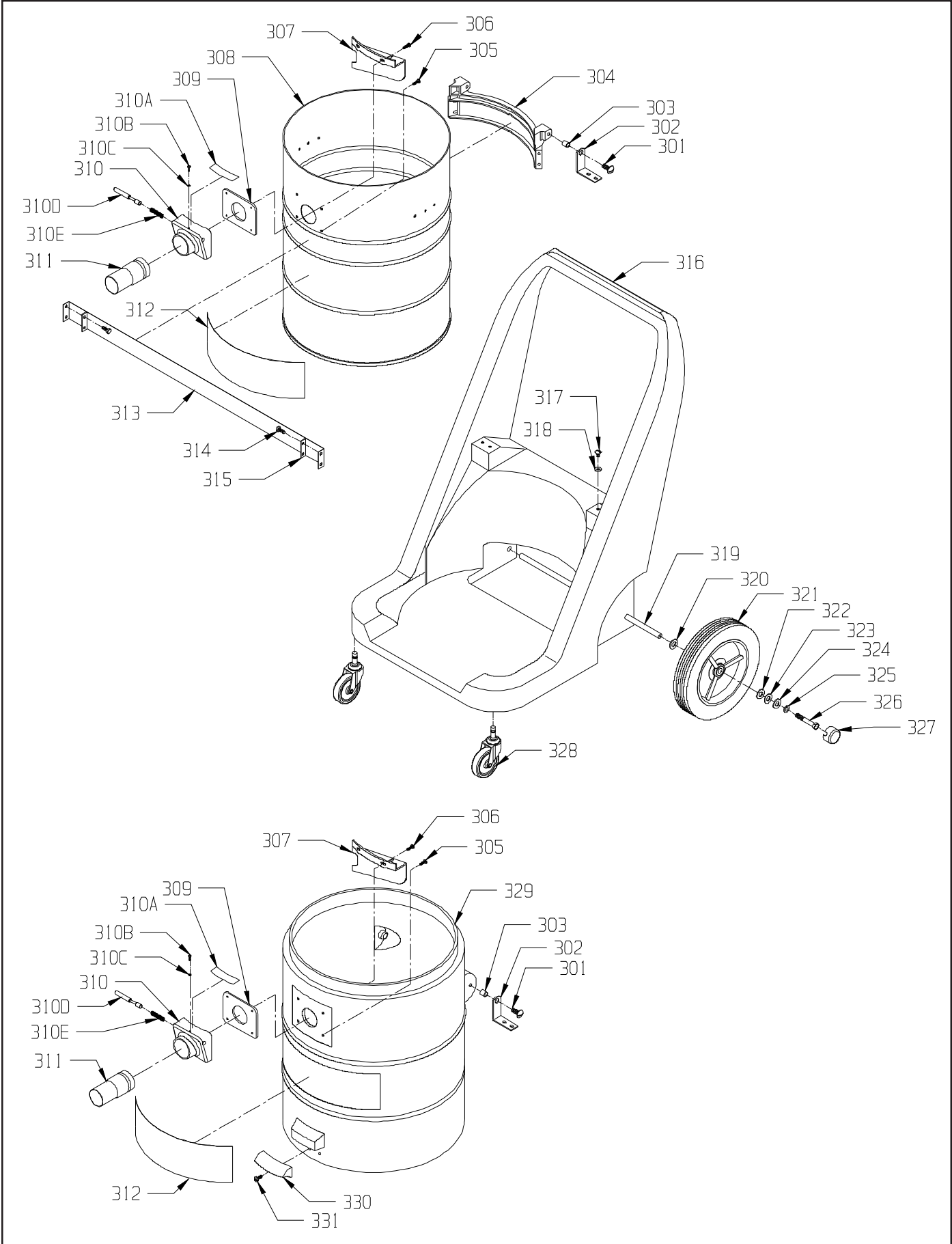


<b>ITEM</b>	<b>PART NO.</b>	<b>PART DESCRIPTION</b>	<b>QTY.</b>
201	0892501	FRONT DECAL - 1.4 X 21.5 ON 97° RADIUS	1
202	0892361	NAME IDENTIFIER DECAL - 1250 - ONLY	1
	0892371	NAME IDENTIFIER DECAL - 1450 - ONLY	1
203	9120350	10-24 HEX NUT WITH NYLOK INSERT	1
204	0691271	FLOAT DISC	1
205	0691261	FLOAT DISC GASKET	1
206	9120370	7/32 I.D. X 1/2 O.D. X .032/.065 THICK FLAT WASHER - #10	1
207	0190911	GROUNDING LABEL	1
208	0891011	FLOAT SUPPORT	1
209	0190901	WARNING LABEL	1
210	0891071	FLOAT STAND GASKET	1
211	0891061	LID GASKET	1
212	0891053	LID GASKET SUPPORT	1
213	0891021	FLOAT STAND	1
214	9120790	10 X 5/8 PAN HEAD SHEET METAL SCREW	6
215	0690319	FLOAT AND STEM ASSEMBLY - INCLUDES:	1
215	0690311	FLOAT	1
215A	0690811	FLOAT STEM	1
	0891939	DYNEL FILTER ASSEMBLY - INCLUDES:	1
216	0691911	DYNEL BAG - CLOTH	1
216A	0690341	BAG RING ONLY	1
261B	0691751	BAG GASKET	1
	0891949	BLUE FILTER BAG ASSEMBLY - OPTIONAL - INCLUDES:	1
216	0691921	BLUE CLOTH FILTER BAG	1
216A	0690341	BAG RING ONLY	1
216B	0691751	BAG GASKET	1

## **CONTAINERS WITH TIP BASES**

<b>ITEM</b>	<b>PART NO.</b>	<b>PART DESCRIPTION</b>	<b>QTY.</b>
301	9122040	3/8-16 X 1 ROUND HEAD PHILLIPS MACHINE SCREW	2
302	0891623	PIVOT BRACKET	2
303	0290971	SPACER	2
304	0690322	HINGE BRACKET - 1250 ONLY	1
305	9120620	10-24 X 3/4 PAN HEAD THREAD CUTTING SCREW	2
306	9120630	10-24 X 7/8 PAN HEAD THREAD CUTTING SCREW	2
307	0297101	BAFFLE - INTAKE	1
308	0690375	12.5 GALLON CAN - STAINLESS STEEL - 1250 ONLY	1
	0297029	INTAKE ASSEMBLY AND GASKET - INCLUDES:	1
309	4690531	INTAKE GASKET	1
	0297019	INTAKE ASSEMBLY - INCLUDES:	1
310	0297015	INTAKE ONLY	1
310A	0892441	BAG INSTRUCTION LABEL	1
310B	9120230	8-32 X 1/2 PAN HEAD PHILLIPS MACHINE SCREW	1
310C	9120200	8 SPLIT WASHER	1
310D	0299271	PLUNGER PIN	1
310E	0299261	PLUNGER SPRING	1
311	2590801	HOSE COUPLING	1
312	4792321	FRONT DECAL - 2 X 7	1
313	0690522	BAND CLAMP - 1250 ONLY	1
314	9121250	1/4-20 X 3/4 HEX BOLT - 1250 ONLY	4
315	0690532	BAND CLAMP PLATE - 1250 ONLY	2
316	0891661	TIP BASE	1
317	9121090	1/4-20 X 1/2 TRUSS HEAD PHILLIPS MACHINE SCREW	4
318	9120970	1/4 EXTERNAL STAR LOCK WASHER	4
319	0891611	AXLE	1
320	5390811	1/2 I.D. X 1 O.D. X .07 THICK FLAT WASHER - NYLATRON	2
321	4892731	10 INCH WHITE PLASTIC WHEEL	2
322	5390811	1/2 I.D. X 1 O.D. X .07 THICK FLAT WASHER - NYLATRON	2
323	9122465	.516 I.D. X .813 O.D. X .027/.030 THICK FLAT WASHER	2
324	9120930	9/32 I.D. X 5/8 O.D. X .051/.080 THICK FLAT WASHER (1/4)	2
325	9120880	1/4 SPLIT LOCK WASHER	2
326	9121210	1/4-20 X 5/8 HEX BOLT	2
327	0599311	HUBCAP - PLASTIC	2
328	0290491	CASTER	2
329	0891501	14.5 GALLON CAN - 1450 ONLY	1
330	0798685	HANDLE - 1450 ONLY	1
331	9120540	10-24 X 1/2 FLAT HEAD PHILLIPS MACHINE SCREW - 1450 ONLY	3

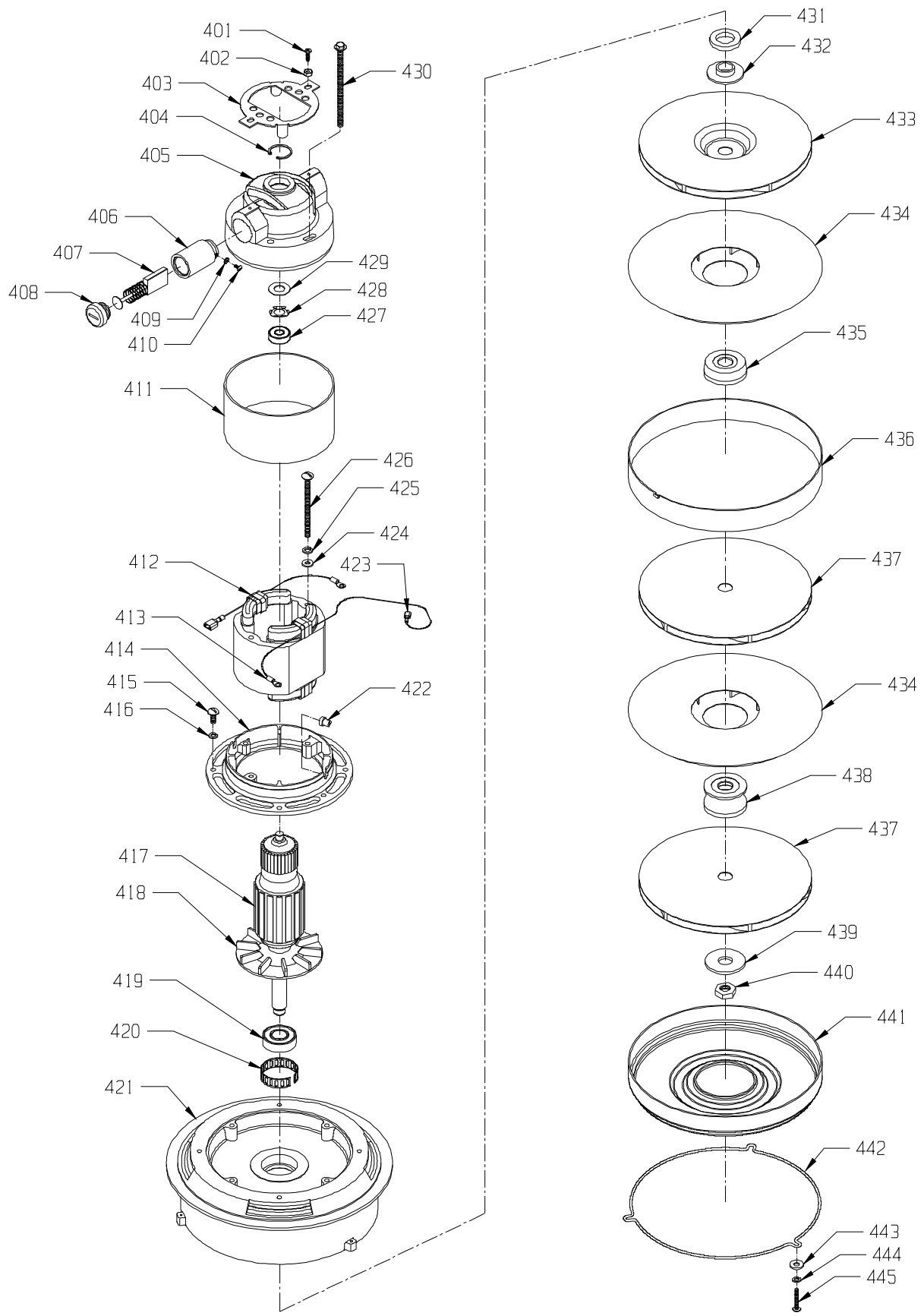
# CONTAINERS WITH TIP BASES



## MOTOR

<u>ITEM</u>	<u>PART NO.</u>	<u>PART DESCRIPTION</u>	<u>QTY.</u>
401	9120260	8-32 X 3/4 ROUND HEAD PHILLIPS MACHINE SCREW - PACK OF 10	2
402	9120190	8-32 HEX NUT WITH STAR LOCK WASHER - PACK OF 10	2
403	0693071	COVER - TOP MOTOR FRAME	1
404	0690821	RETAINING RING	1
405	0690062	UPPER END BELL	1
406	0690842	CARBON BRUSH HOLDER	2
407	0690431	CARBON BRUSH	2
408	0691991	CARBON BRUSH CAP	2
409	9120130	# 6 EXTERNAL STAR LOCK WASHER - PACK OF 10	2
410	9120060	6-32 X 5/16 PAN HEAD SLOT MACHINE SCREW - BRASS - PACK OF 10	2
411	0690741	FRAME RING	1
412	0690241	FIELD CORE AND COILS ASSEMBLY - 120 VOLT - INCLUDES:	1
413	0692231	# 6 RING TERMINAL - 14 - 16 GAGE	2
414	0690082	LOWER END BELL	1
415	9120410	10-24 X 1/2 ROUND HEAD PHILLIPS MACHINE SCREW - PACK OF 10	4
416	9120320	# 10 SPLIT LOCK WASHER - PACK OF 10	4
417	0690239	ARMATURE AND VENT FAN ASSEMBLY - 120 VOLT - INCLUDES:	1
418	0691361	VENT FAN	1
419	0690131	BEARING - LOWER	1
420	0690121	STAR TOLERANCE RING	1
421	0690102	END PLATE FAN HOUSING	1
422	0691471	FIELD LEAD GROMMET	2
423	5490161	FULLY INSULATED FEMALE TERMINAL 14-16 GAGE	2
424	9120370	7/32 I.D. X 1/2 O.D. X .032/.065 THICK FLAT WASHER #10 - PACK OF 10	2
425	9120320	# 10 SPLIT LOCK WASHER - PACK OF 10	2
426	9120493	10-24 X 3 ROUND HEAD SLOT MACHINE SCREW - PACK OF 2	2
427	0690731	BEARING - UPPER	1
428	0690831	7/16 I.D. X 13/16 O.D. FINGERED SPRING WASHER - PACK OF 1	1
429	0690771	THRUST WASHER - PACK OF 1	1
430	0690671	10-24 X 4 HEX WASHER HEAD THRU BOLT - PACK OF 1	2
431	0691151	SHAFT SEAL	1
432	0690151	BEARING SPACER	1
433	0690148	OFFSET FAN	1
434	0690182	BAFFLE - FAN	2
435	0690351	FAN SPACER - CONE	1
436	0690751	BAFFLE HOLDING STRIP	1
437	0690178	FAN - 7"	2
438	0690501	FAN SPACER - SPOOL	1
439	0690512	FAN WASHER - PACK OF 1	1
440	0694271	SHAFT NUT - PACK OF 1	1
441	0692121	FAN COVER	1
442	0692116	HOLDING RING	1
443	9120370	7/32 I.D. X 1/2 O.D. X .032/.065 THICK FLAT WASHER #10 - PACK OF 10	3
444	9120320	# 10 SPLIT LOCK WASHER - PACK OF 10	3
445	9120280	8-32 X 1 ROUND HEAD PHILLIPS MACHINE SCREW - PACK OF 10	3

# MOTOR

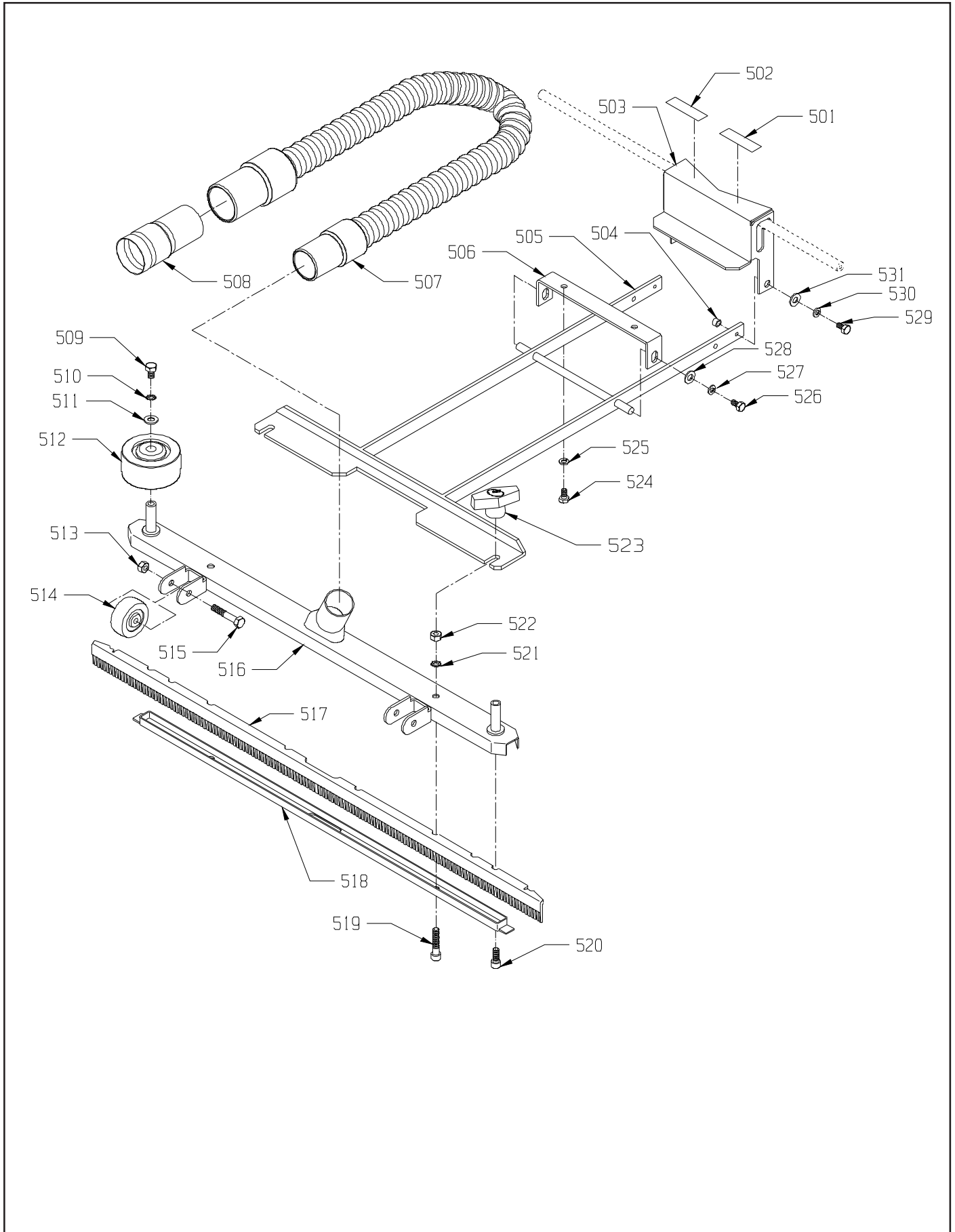


## **FRONT MOUNT SQUEEGEE ASSEMBLY**

<b><u>ITEM</u></b>	<b><u>PART NO.</u></b>	<b><u>PART DESCRIPTION</u></b>	<b><u>QTY.</u></b>
	3098259	FRONT MOUNT SQUEEGEE - INCLUDES:	1
501	0891731	DECAL - PRESS TO RAISE	1
502	0891741	DECAL - PUSH TO LOWER	1
503	0891703	FOOT PEDAL WITH LATCH	1
504	2791281	BUSHING SPACER	2
505	0891723	MOUNTING PLATE	1
506	0891713	LOWER PIVOT BRACKET	1
507	0891751	2 FOOT HOSE WITH CUFFS	1
508	2590801	HOSE COUPLING 1 1/2"	1
509	9121560	5/16-18 X 1/2 HEX BOLT	2
510	9121410	5/16 EXTERNAL STAR LOCK WASHER	2
511	9121390	11/32 I.D. X 11/16 O.D. X .051/.080 THICK FLAT WASHER (5/16)	2
512	2790281	3" BUMPER WHEEL	2
513	9121450	5/16-18 HEX NUT WITH NYLOK INSERT	2
514	3096741	WHEEL - BUMPER - SMALL GRAY	2
515	9121760	5/16 X 1 3/4 HEX BOLT	2
516	2391273	OUTER CHANNEL	1
517	2791061	32" REPLACEMENT SQUEEGEE BLADES - SET OF 2	1
518	2391283	INNER CHANNEL	1
519	9121920	5/16-18 X 1 1/2 SOCKET HEAD CAP SCREW	2
520	9121880	5/16-18 X 3/4 SOCKET HEAD CAP SCREW	2
521	9121410	5/16 EXTERNAL STAR LOCK WASHER	2
522	9121420	5/16-18 HEX NUT	2
523	3392971	T-KNOB - SQUEEGEE	2
524	9121170	1/4-20 X 1/2 HEX BOLT	2
525	9120880	1/4 SPLIT LOCK WASHER	2
526	9121170	1/4-20 X 1/2 HEX BOLT	2
527	9120880	1/4 SPLIT LOCK WASHER	2
528	9120930	9/32 I.D. X 5/8 O.D. X .051/.080 THICK FLAT WASHER (1/4)	2
529	9121250	1/4-20 X 3/4 HEX BOLT	2
530	9120880	1/4 SPLIT LOCK WASHER	2
531	9120930	9/32 I.D. X 5/8 O.D. X .051/.080 THICK FLAT WASHER (1/4)	2

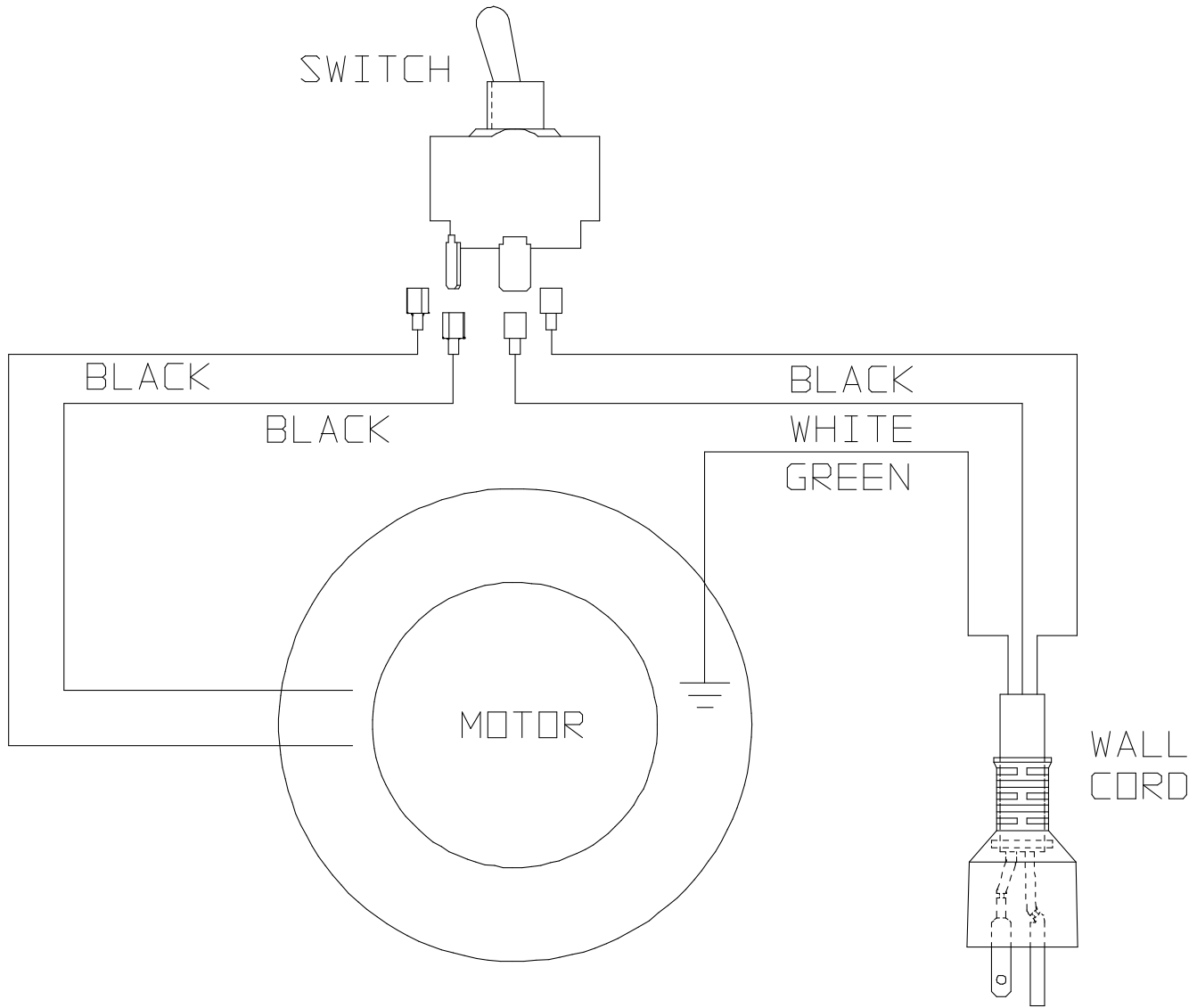


# FRONT MOUNT SQUEEGEE ASSEMBLY



# WIRING DIAGRAM

120 VOLT

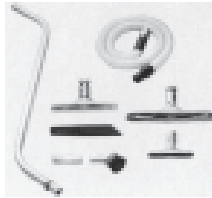


## **ACCESSORIES**



**PART NO.**  
1801802

**PART DESCRIPTION**  
BP RANGER POWERHEAD 115 VOLT



3098309  
2594011  
5790469  
5797011  
5790241  
5797031  
5790111  
5790291  
5790301  
5790311  
3191469

ALL PURPOSE WET / DRY TOOL KIT - INCLUDES:  
10 FOOT SPIRAL FLEX HOSE  
2 PIECE STEEL WAND  
15" SQUEEGEE TOOL WITH WHEELS  
16" BARE FLOOR TOOL  
16" CARPET TOOL  
2 1/2 ROUND BRUSH  
CREVICE TOOL  
9" WALL BRUSH  
UTILITY NOZZLE  
HI-UP EXTENSION TUBE KIT - PLASTIC (2-PIECES)



3098329  
3092179  
2290209  
2595101

BASIC WET PICK-UP KIT - INCLUDES:  
14" URETHANE SQUEEGEE TOOL  
STEEL WAND  
10 FOOT SUPER FLEX HOSE WITH SWIVEL CUFF

3098259

FRONT MOUNT SQUEEGEE ASSEMBLY



0891939  
0891949

DYNEL FILTER BAG ASSEMBLY  
BLUE FILTER BAG ASSEMBLY





**NSS ® Enterprises, Inc.**

3115 Frenchmens Road, Toledo, Ohio 43607  
PHONE (419) 531-2121 FAX (419) 531-3761

**NSS ® Enterprises, Inc. European Distribution Centre**  
Unit II, Pinfold Trading Estate \* 55 Nottingham Road  
STAPLEFORD, NOTTINGHAM NG9 8AD ENGLAND U.K.  
PHONE: (44) 0115 939 1568 \* FAX: (44) 0115 949 0615