

VIPER

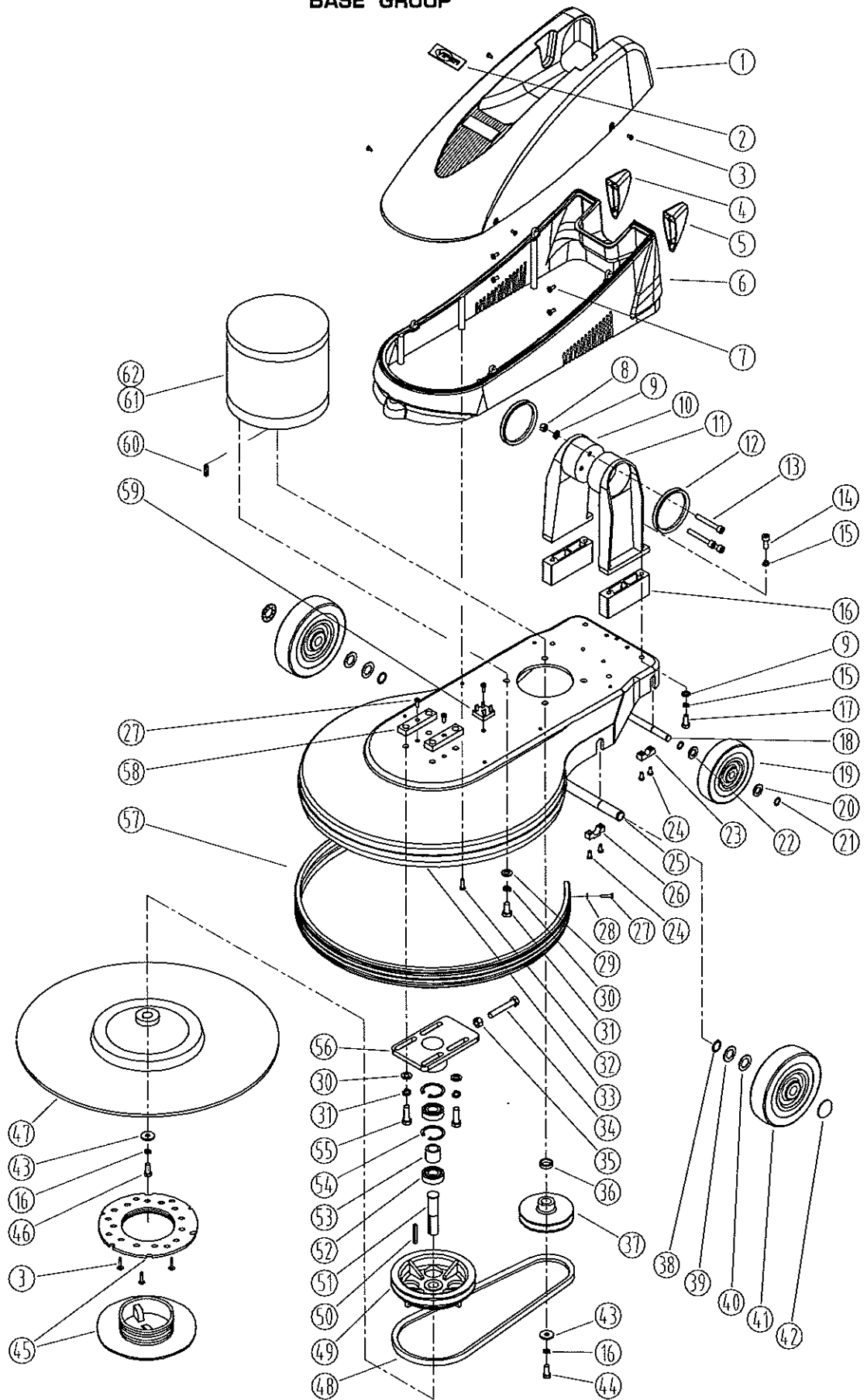
DRAGON

DR1500H

HIGH SPEED BURNISHER

*****PLEASE MAKE SURE YOU MATCH YOUR SERIAL NUMBER WHEN
LOOKING AT THIS SCHEMATIC TO ENSURE THE CORRECT PARTS ARE
BEING ORDERED*****

BASE GROUP

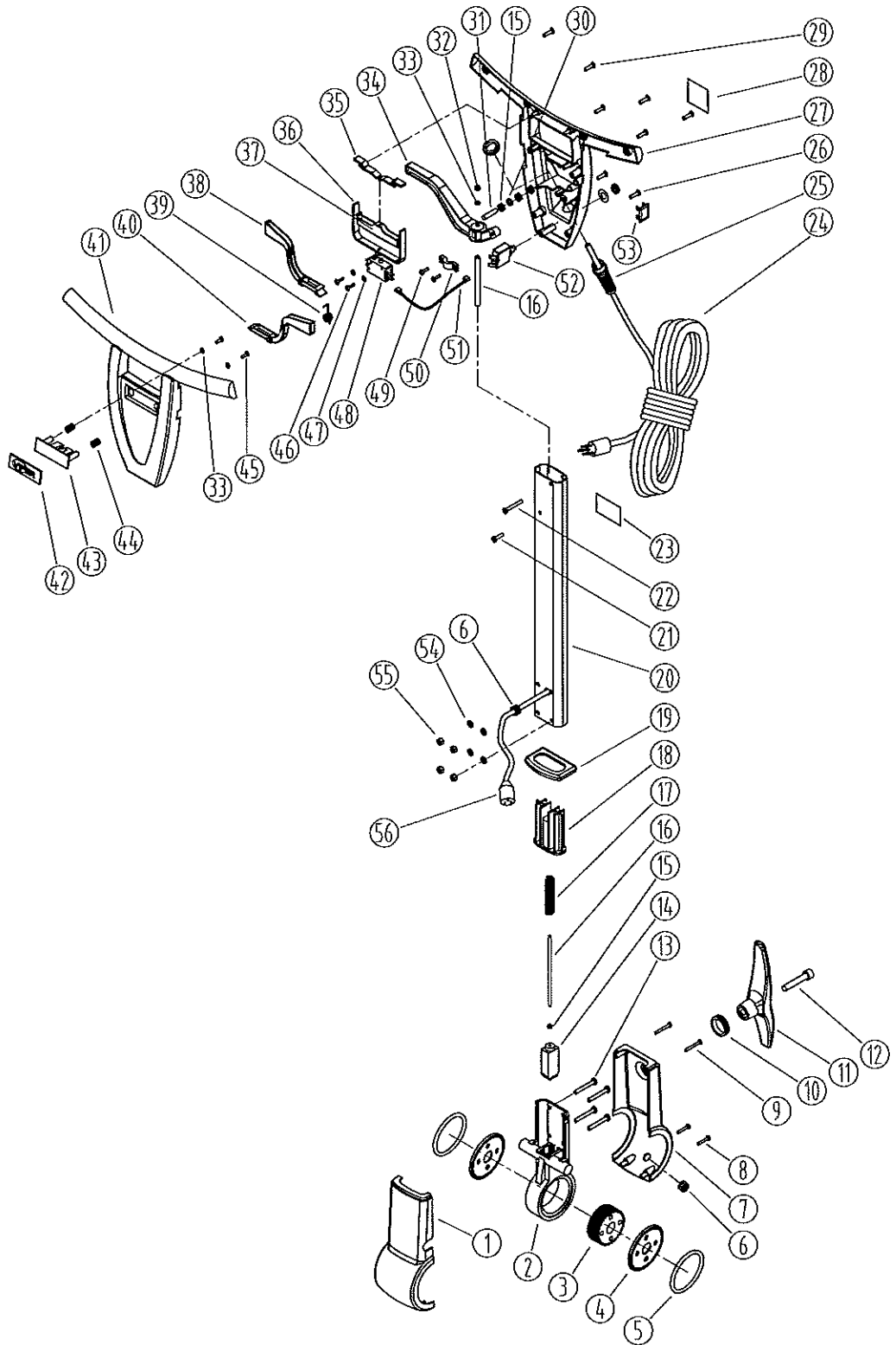


DRAGON 1500H - BASE ASSEMBLY - LIST PRICE

DIA NO	PART NUMBER	DESCRIPTION	NO REQ'D
1	VF52102A	UPPER COVER	1
2	VF47035A	"VIPER" LOGO	1
3	VA13484	SCREW, SELF-TAPPING, M4 x 12	7
4	VF52114	PLASTIC STAND, RIGHT	1
5	VF52115	PLASTIC STAND, LEFT	1
6	VF52101A	LOWER COVER	1
7	VV20509	SCREW, PAN HEAD, M5 x 10	4
8	VF13503	NUT, M8, NYLON INSERT	3
9	VF13524	WASHER, PLAIN	7
10	VF52104A	ARM, RIGHT	1
11	VF52103A	ARM, LEFT	1
12	VF47026	SEAL, UPPER COVER	2
13	GT13016	SCREW, M8 x 60, HEX SOCKET	3
14	VF14088	SCREW, M8 x 25, HEX SOCKET	4
15	VF13519	WASHER, LOCK, M8	10
16	VF52105	RISER, ARM	2
17	VF13607	SCREW, M8 x 25	4
18	VF52011	AXLE, TRANSPORTATION	1
19	VF52017	WHEEL, 5"	2
20	VF13666	WASHER, PLAIN, M12 (new HD style)	2
	VF13602	WASHER, PLAIN, M12.35 (original style)	2
21	VF44012	SCREW, M5 x 12.7 (new HD style)	2
	VF13520	RETAINING RING, EXTERNAL, M12 (original style)	2
22	VF50119	WAVE WASHER, M12	2
23	GV40235	CLAMP BLOCK, AXLE	2
24	VV13621	SCREW, SELF-TAPPING, M5 x 20	8
25	VF52010	FRONT AXLE	1
26	VF47038	CLAMP BLOCK, AXLE	2
27	VA13474	SCREW, M5 x 16	5
28	VF13474A	WASHER, PLAIN, M5 x M16	2
29	VF13517	WASHER, PLAIN, M8	8
30	VF13518	WASHER, LOCK, M8	8
31	VF13497	SCREW, 16G, 3/8"	4
32	GT13004	SCREW, SELF-TAPPING, M5 x 20	7
33	VF52003	FRAME	1
34	VF14009	SCREW, HEX, M10 x 65	1
35	VF14005	NUT, M10	1
36	VF52008	SPACER	1
37	VF52009F	DRIVING PULLEY	1
38	VF14004	RETAINING RING, EXTERNAL, M19	2
39	VF50123	WASHER, M19	2
40	VF47027	WAVE WASHER, M19	2
41	VF47055	WHEEL, 160mm	2
42	VA96851	CAP, AXLE	2
43	VF52021	WASHER, PLAIN	2
44	VF14008	SCREW, 18G, 5/16"	1
45	VF99003A	BIG MOUTH	1
46	GT13018	SCREW, HEX, M8 x 30	1
47	VF99024D	PAD HOLDER	1
48	VF14079A	BELT, 38"	1
49	VF52004A	DRIVEN PULLEY	1
50	VF52001	KEY	1
51	VF52005	DRIVEN SHAFT	1
52	VF14075	BEARING, 60042RS	2
53	VF52006	SPACER	1
54	VF14003	LOCK	2

DIA NO	PART NUMBER	DESCRIPTION	NO REQ'D
55	VF14007	SCREW, HEX, M10 x 32	4
56	VF52007	MOUNTING PLATE, DRIVEN SHAFT	1
57	VF52002	BUMPER	1
58	VF52106	MOUNTING PLATE	2
59	VF44024	RECTIFIER	1
60	VF99920-1	KEY, MOTOR SHAFT	1
61	ZD40	MOTOR, 120V, 3200 R.P.M	1
62	VF99926-2	CARBON BRUSH (SET OF 4)	1

HANDLE GROUP FOR DR1500H



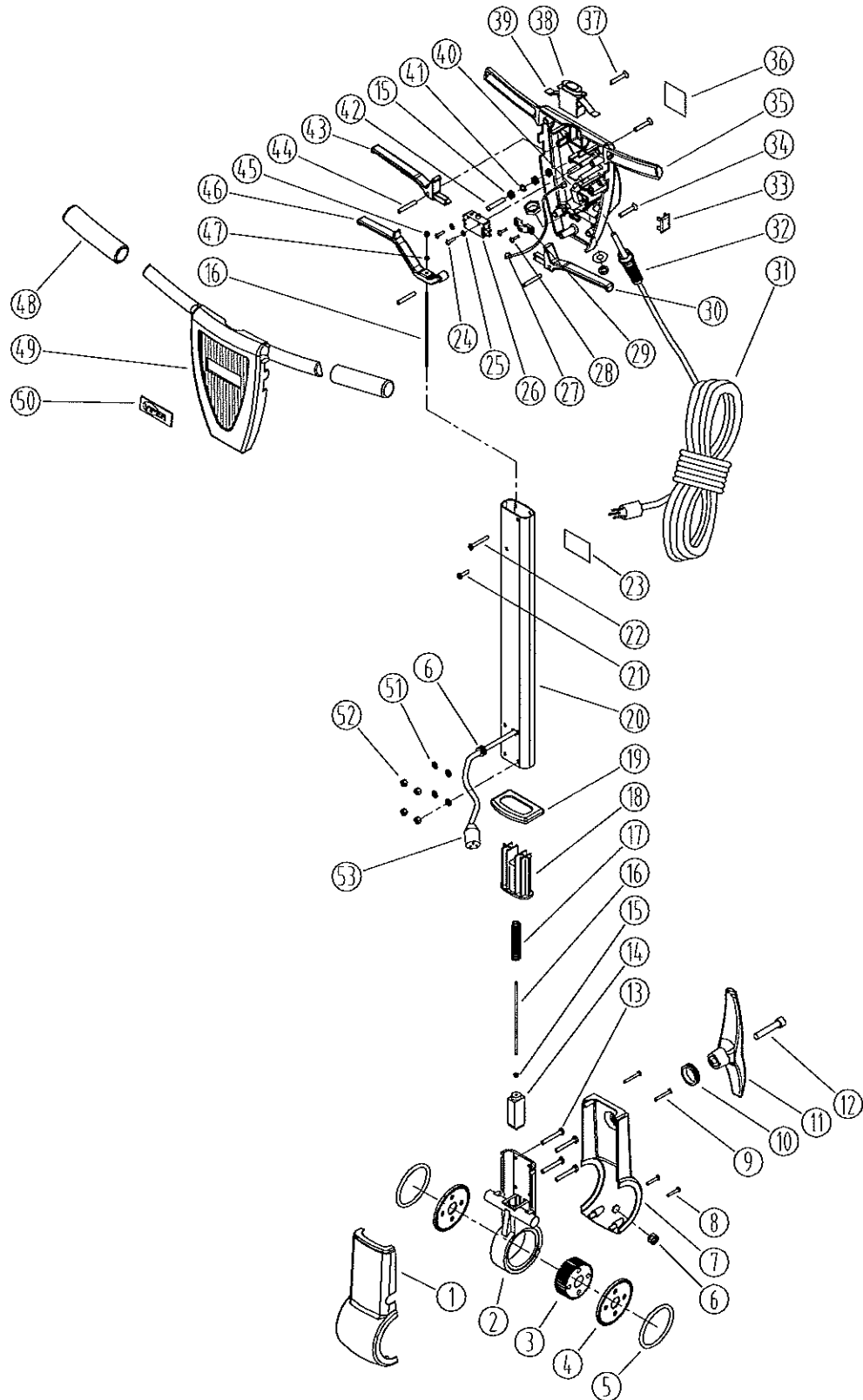
DR1500H - ORIGINAL HANDLE ASSEMBLY
Up to Serial #1736

DIA NO	PART NUMBER	DESCRIPTION
1	VF47009	FRONT COVER, GEAR SEAT
2	VF47029	GEAR SEAT
3	VF47028	GEAR
4	GV40227	WASHER, NYLON
5	GV40228	"O" RING, GEAR SEAT
6	VF50120	GROMMET
7	VF47015	REAR COVER, GEAR SEAT
8	VF14080	SCREW, SELF-TAPPING, M4 x 25
9	VF14087	SCREW, SELF-TAPPING, M4 x 35
10	VF47046	SEAL RING
11	VF47045	HOOK, CABLE
12	VF13616	SCREW, HEX, M10 x 55
13	GT13019	SCREW, HEX, M6 x 45
14	VF47052	INSERT, LEVELING
15	GT13013	NUT, M4
16	VF52109	LEVELING ROD
17	VF47007	SPRING, LEVELING
18	VF47033	RETAINER
19	VF47008	SEAL, TUBE
20	VF52108	TUBE
21	VA13474	SCREW, PH, M5 x 16
22	VA13476	SCREW, PH, M5 x 40
23	VF41195	SERIAL TAG
24	VF45119	CORD, POWER SUPPLY, 14/3C
25	AS22009	STRAIN RELIEF, CORD
26	GT13035	SCREW, M5 x 35
27	VF52018	REAR COVER, SWITCH HOUSING
28	VF40994	READ MANUAL
29	GT13008	SCREW, OVAL HEAD, M5 x 20
30	VF13527	WASHER, EXTERNAL TOOTH, M4
31	VF13526	SCREW, HEX SOCKET, M4 x 30
32	GT13014	NUT, NYLON INSERT, M4
33	GT13017	WASHER, LARGE, PLAIN, M4
34	VF46610	LEVELING TRIGGER
35	VF46606	TRANS-BAIL, SWITCH
36	VF46612	U-SHAPE BAIL, SWITCH
37	VF46607	TRIGGER, CENTER
38	VF46609	TRIGGER, RIGHT, SWITCH
39	VF46611	SPRING
40	VF46605	TRIGGER, SWITCH, LEFT
41	VF46601	FRONT COVER, SWITCH HOUSING
42	VF47035A	"VIPER" LOGO
43	VF46603	SAFETY LOCK
44	VF46614	SPRING, SAFETY LOCK
45	VA13484	SCREW, ST, M4 x 12
46	VF14212	SCREW, PH, M3 x 25
47	VF13511	WASHER, LOCK, INTERNAL TOOTH
48	VF44203	SWITCH ASSEMBLY, 20A, 250V

DR1500H - ORIGINAL HANDLE ASSEMBLY
Up to Serial #1736

DIA NO	PART NUMBER	DESCRIPTION	
49	VA13472	SCREW, SELF-TAPPING, M4 x 8	
50	VF46620	BLOCK	
51	VF45124	JUMP WIRE	
52	VF99010C	CIRCUIT BREAKER, 17amp.	
53	VF52107	COVER, SOLUTION LEVER	
54	VF13600	WASHER, PLAIN, M6	
55	VF13502	NUT, M6, NYLON INSERT	
56	VF45120	CABLE, HANDLE, 14/3C	
	VF00046	NEW STYLE SWITCH HOUSING ASSEMBLY (COMPLETE HANDLE ASSEMBLY W/O POWER)	
	VF00049	NEW STYLE SWITCH HOUSING KIT (UPPER HANDLE ASSEMBLY ONLY)	

HANDLE GROUP FOR DR1500H



**NEW HANDLE ASSEMBLY - DR1500H
SERIAL # 1737+**

DIA NO	PART NUMBER	DESCRIPTION	NO REQ'D
1	VF47009	FRONT COVER, GEAR SEAT	1
2	VF47029	GEAR SEAT	1
3	VF47028	GEAR	1
4	GV40227	WASHER, NYLON	2
5	GV40228	"O" RING, GEAR SEAT	2
6	VF50120	GROMMET	2
7	VF47015	REAR COVER, SEAT, GEAR	1
8	VF14080	SELF-TAPPING SCREW, M4x25	2
9	VF14087	SELF-TAPPING SCREW, M4x35	2
10	VF47046	SEAL RING	1
11	VF47045	HOOK, CABLE	1
12	VF13616	SCREW, HEX, M10 x 55	1
13	GT13019	SCREW, HEX, M6 x 45	4
14	VF47052	INSERT, LEVELING	1
15	GT13013	NUT, M4	4
16	VF52117	LEVELING ROD	1
17	VF47007	SPRING, LEVELING	1
18	VF47033	RETAINER	1
19	VF47008	SEAL, TUBE	1
20	VF52116	TUBE	1
21	VA13474	SCREW, PAN HEAD, M5 x 16	1
22	VA13476	SCREW, PAN HEAD, M5 x 40	1
23	VF41195	SERIAL TAG	1
24	VF14212	SCREW, PAN HEAD, M3 x 25	2
25	VF13511	WASHER, LOCK, INTERNAL TOOTH	2
26	VF44203	SWITCH ASSY, 20A, 250V	1
27	VF45124	JUMP WIRE	1
28	VV13650	SCREW, PAN HEAD, M4 x 10	2
29	VF48309	BLOCK, HANDLE CABLE	1
30	VF46703	LEVELING HANDLE, SWITCH, LEFT	1
31	VF45119	CORD, POWER SUPPLY, STOW, 14/3C	1
32	AS22009	STRAIN RELIEF, CORD	1
33	VF52019	COVER, SOLUTION LEVER	1
34	VF14226	SCREW, FLAT HEAD, M6 X 35	2
35	VF52118	REAR COVER, SWITCH HOUSING	1
36	VF40994	READ MANUAL LABEL	1
37	VF14218	SCREW, PAN HEAD, M6 X 40	2
38	VF46705	SAFETY BLOCK	1
39	GV40218	SPRING, SAFETY BLOCK	1
40	VF99010C	CIRCUIT BREAKER, 17AMPS	1
41	VF13527	WASHER, EXTERNAL TOOTH, M4	1
42	VF13526	SCREW, HEX SOCKET, M4 x 30	1
43	VF46704	LEVELING HANDLE, RIGHT, SWITCH	1
44	VF48306	PIN, LEVER	3
45	GT13014	NUT, M4, NYLON INSERT	1
46	VF46707	LEVELING HANDLE, ROD	1
47	GT13017	BIG WASHER, PLAIN, M4 x M16	1
48	VF46706	HANDLE GRIP	2
49	VF46701	FRONT COVER, SWITCH HOUSING	1
50	VF47035A	"VIPER" LOGO	1
51	VF13600	WASHER, PLAIN, M6	4
52	VF13502	NUT, M6, NYLON INSERT	4
53	VF45120	CABLE, HANDLE, SJTW, 14/3C	1