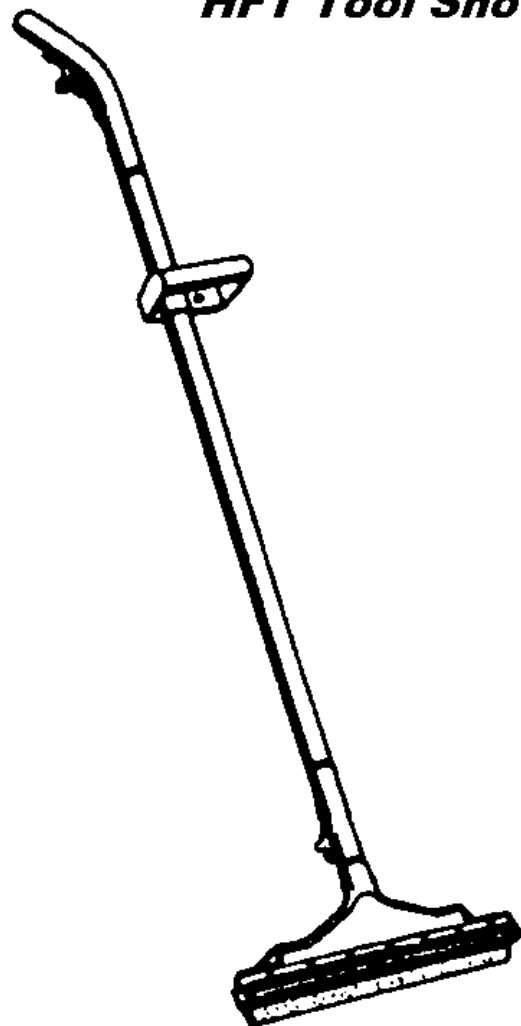


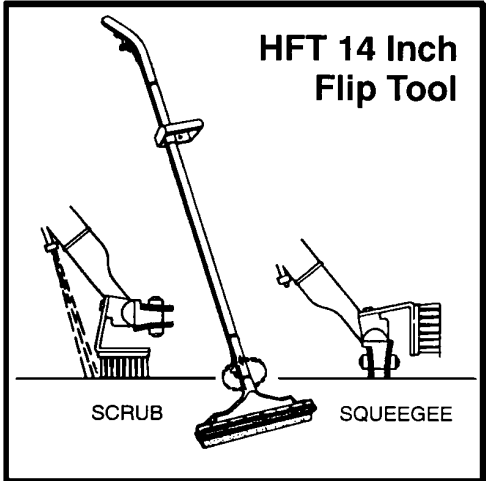
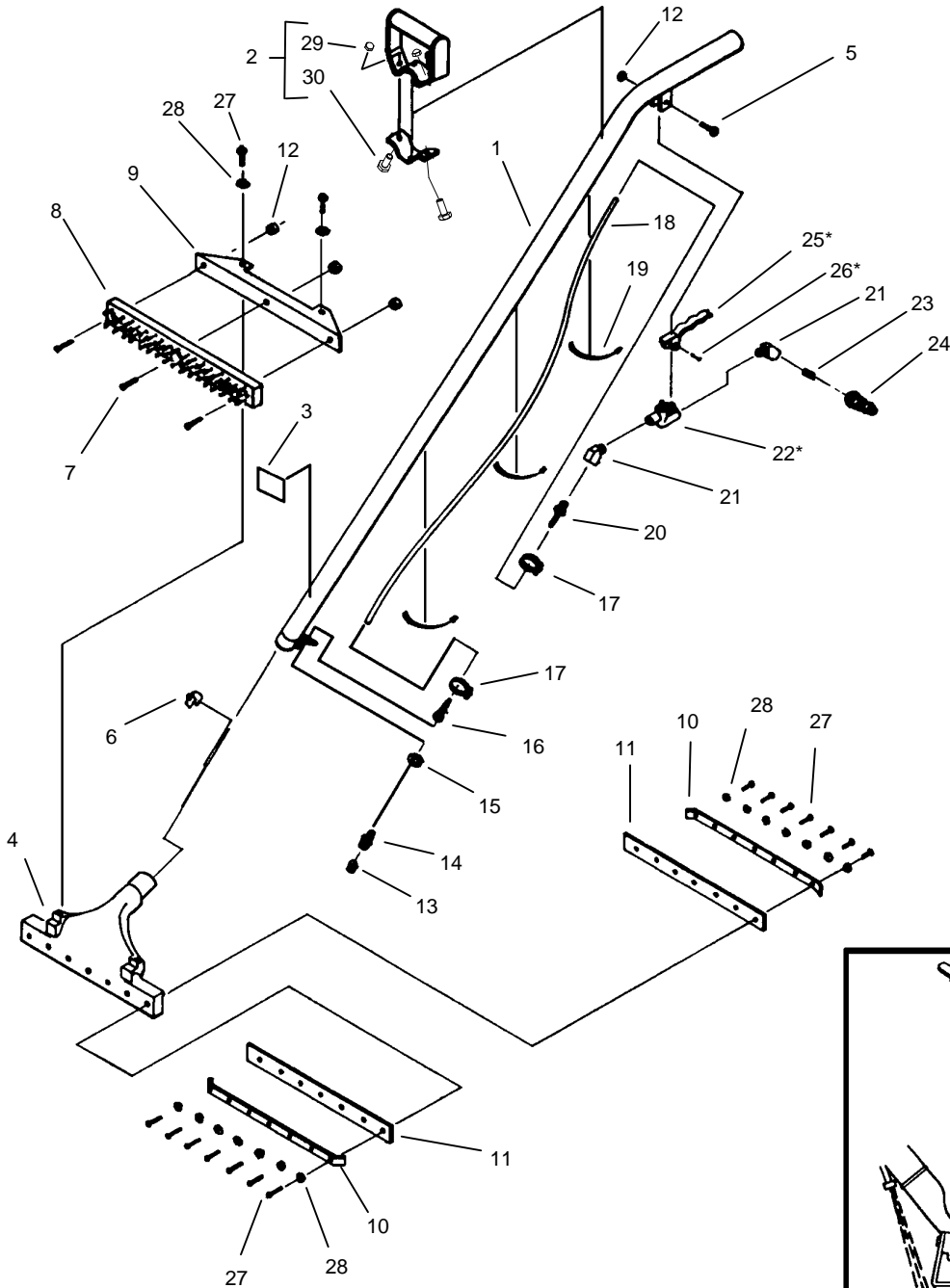
Floor Tools & Accessories

PN	Model
8.604-148.0	HFT14" FLIP TOOL
8.604-119.0	FSW TOOL
8.604-118.0	ESW TOOL
8.628-830.0	CST TOOL
8.600-005.0	SPW WAND
8.600-002.0	HT
8.604-105.0	PRO HEAT
8.604-106.0	PROS (PRO SPRAY)
8.600-060.0	89226
8.600-061.0	89227

HFT Tool Shown



HFT 14 INCH FLIP TOOL



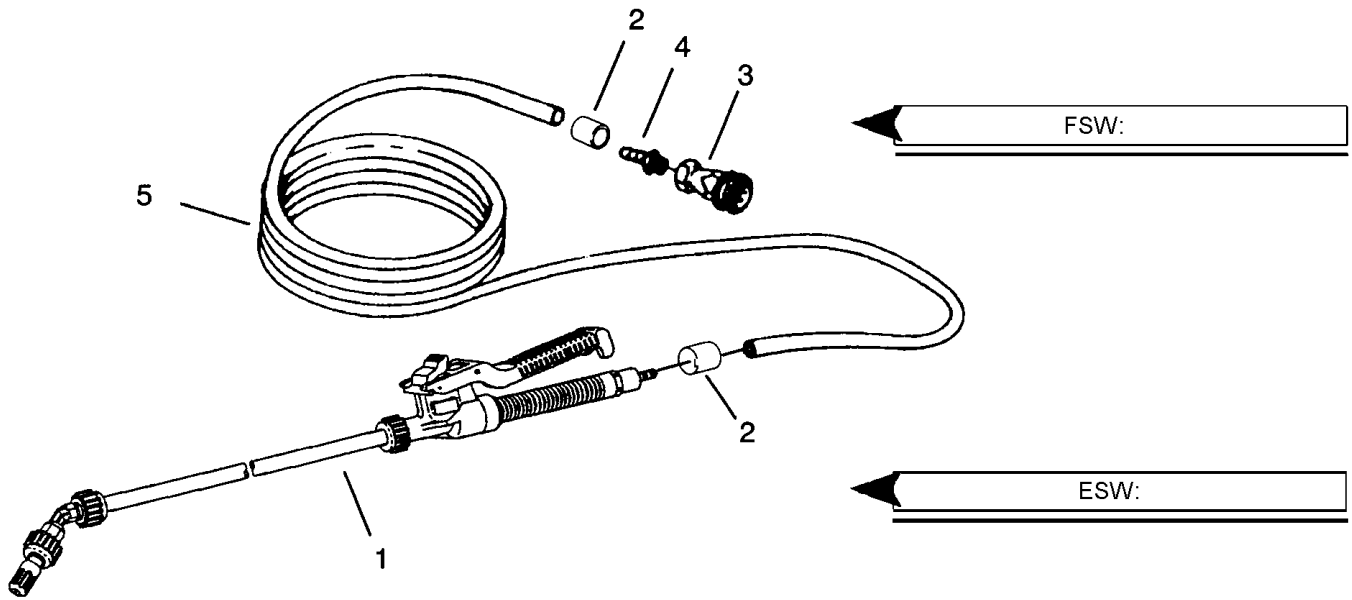
* - ITEM 25 AND 26
ACCOMPANY ITEM 22.

HFT 14 INCH FLIP TOOL

REF	PART NO.	PRV NO.	DESCRIPTION	SERIAL NO. FROM	NOTES:
1	86092640	38100	HANDLE		
2	86135760	38109	HANDLE, GRIP ASSEMBLY		
3	86245650	50776	LABEL, FOR SAFETY		
4	86090150	85010	SHOE, VAC		
5	86274450	70202	SCR, 10-32 X 1.25 HHMS PLTD		
6	86233500	27224	CLIP, SPRING		
7	86274040	70076	SCR, 10-32 X 1 FHMS		
8	86230550	12021	BRUSH		
9	86073010	14678	BRKT, BRUSH MOUNTING		
10	86086110	67086	RETAINER, SQUEEGEE		
11	86229630	14703	BLADE, URETHANE SQUEEGEE		
12	86005640	57030	NUT, 10-32 LOCK PLTD		
13	86004540	44060	JET, 8002 MINI-QUICK		
14	86004530	44052	JET BODY, MINI-QUICK		
15	86010720	87086	WASHER, M10 X 30 PLTD		
16	86197640	40064	HOSEBARB, 1/8" FPT X 1/4"		
17	86233090	20016	CLAMP, 1/4" DIA. HOSE		
18	86281080	39269	HOSE, 1/4"		
19	86264920	27049	CABLE TIE, 7"		
20	86197500	40009	HOSEBARB, 1/4 MPT X 1/4 H		
21	86197390	31021	ELBOW, 45° 1/4 MPT X FPT ST		
22	86010490	84018	VALVE, SOLUTION		
23	86005590	56014	NIPPLE, CLOSE 1/4 MPT		
24	86005580	56012	QUICK DISCONNECT 1/4 FPT		
25	86136170	51017	LEVER, SW VALVE		
26	86272140	66023	PIN		
27	86006590	70088	SCR, 10-32 X 1/2 PHMS SS		
28	86010640	87016	WASHER, #10 STAR		
29	86271620	57229	NUT, 1/4-20 ACORN SS		SEE # 2
30	86273750	70011	SCR, 1/4-20 X 5/8 HHMS		SEE # 2

WARNING: Do not use with extractors producing over 100 psi pressure.

FSW, ESW TOOL



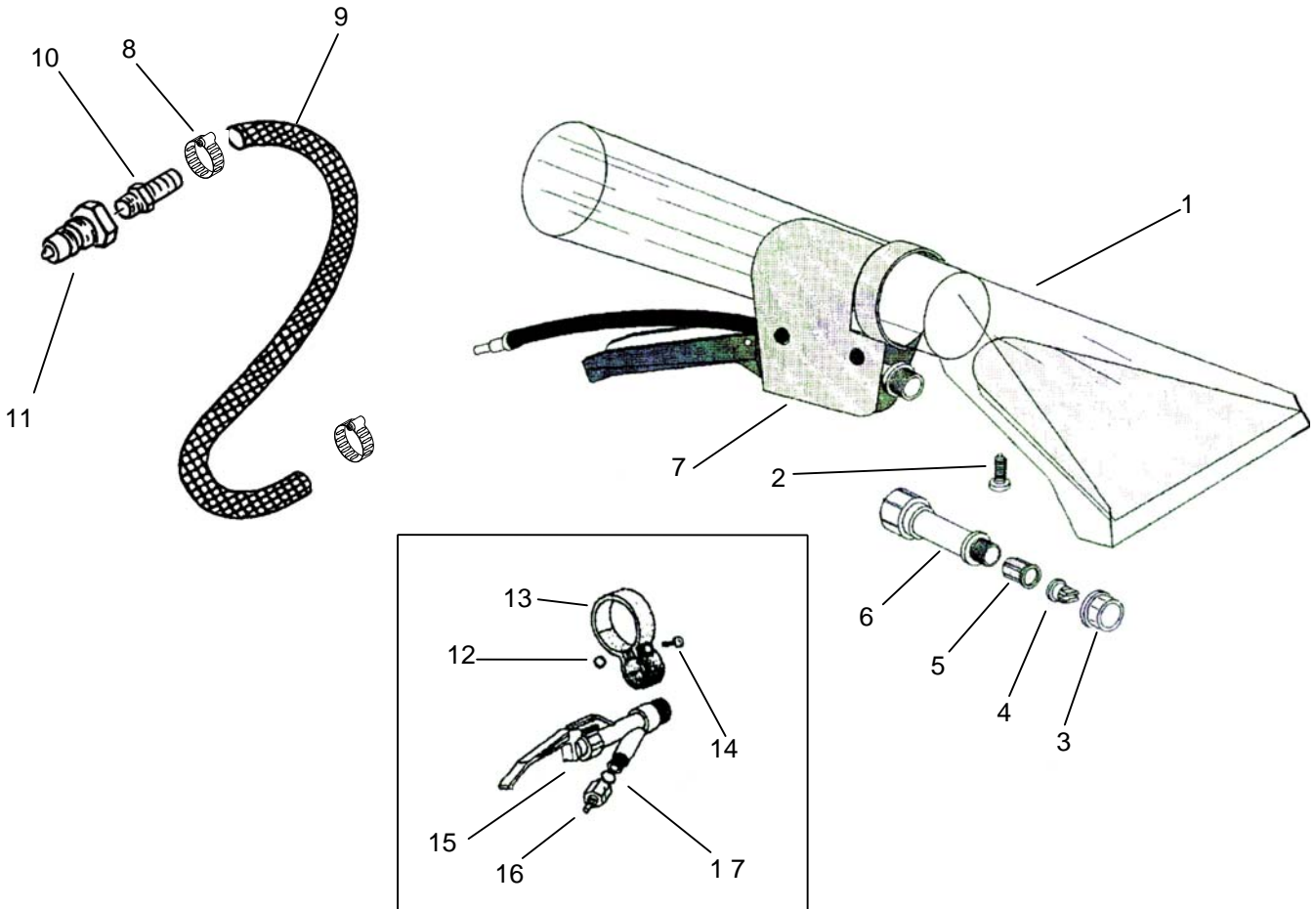
WARNING: Do not use with extractors producing over 100 psi pressure.

FSW:

REF	PART NO.	PRV NO.	DESCRIPTION	SERIAL NO. FROM	NOTES:
1	86259130	89088	WAND, TRIGGERJET		
2	86233090	20016	CLAMP, ¼ ID HOSE		
3	86198470	22015	COUPLER, ¼ QUICK DISCONNECT		
4	86197500	40009	HOSEBARB, ¼ MPT X ¼		
5	86281200	39302	HOSE, ¼" BLUE X 25'		

ESW:

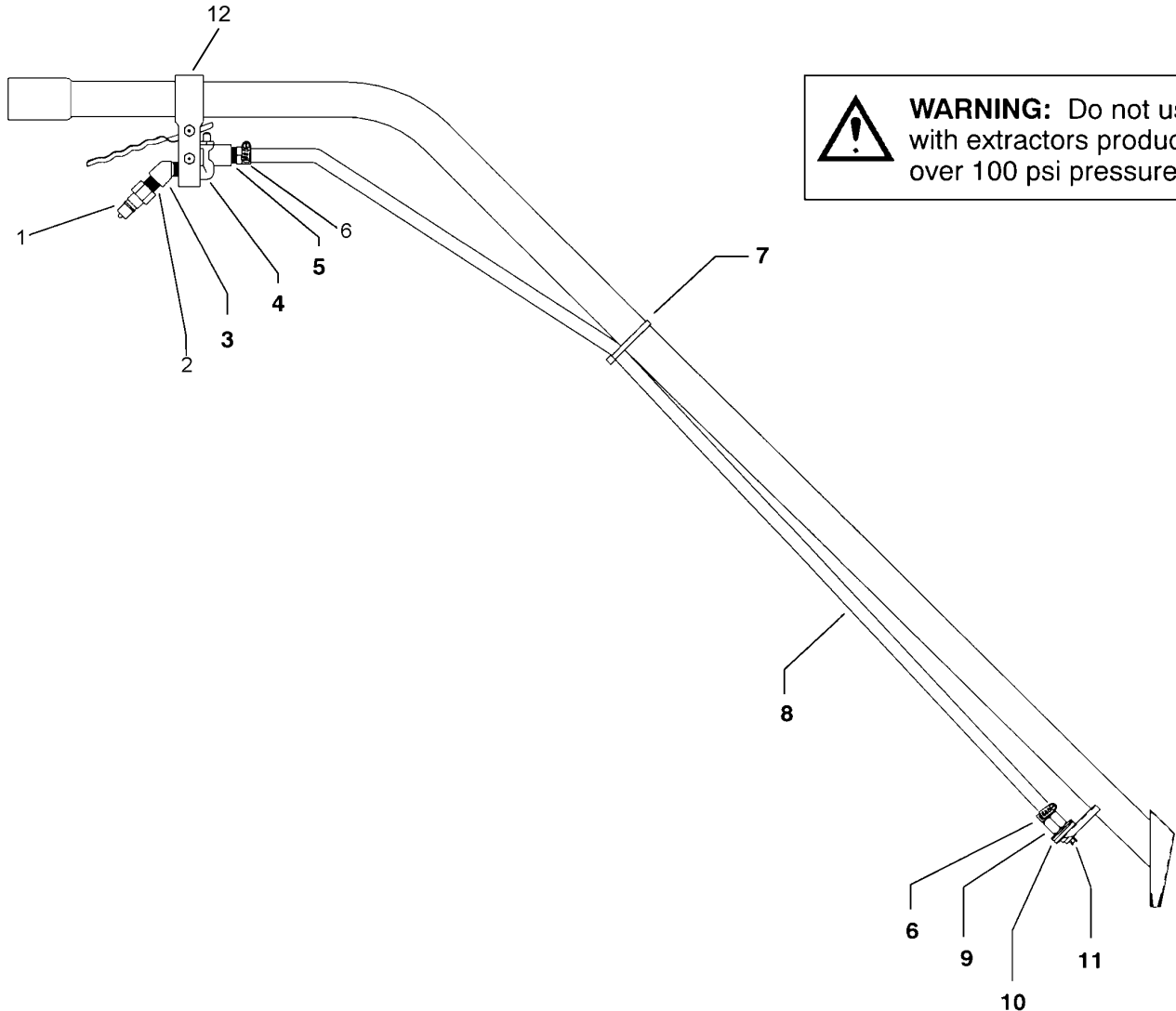
REF	PART NO.	PRV NO.	DESCRIPTION	SERIAL NO. FROM	NOTES:
1	86259130	89088	Wand, Triggerjet		
2	86233090	20016	Clamp, ¼ ID Hose		
3	86198470	22015	Coupler, ¼ Quick Disconnect		
4	86197500	40009	Hosebarb, ¼ MPT x ¼		
5	86280770	39018	Hose, ¼ " Blue x 4'		



PRIOR TO JULY 2000

REF	PART NO.	PRV NO.	DESCRIPTION	SERIAL NO. FROM	NOTES:
1	86163380	41339	HOUSING, HANDTOOL CST		
2	86163830	70629	SCR, HANDTOOL		
3	86164240	78398	TIP, RETAINER		
4	86241660	44069	JET, 8003VP		
5	86162990	34333	FILTER, SPRAY		
6	86162550	04083	ADAPTER, HANDTOOL VALVE		
7	86163240	38297	HANDLE, (ENCLOSED) SPRAY CST		
8	86233090	20016	CLAMP, ¼ ID HOSE		
9	86281060	39265	HOSE, ¼ NYLOBRAID X 8"		
10	86197500	40009	HOSEBARB, ¼ MPT X ¼ HB		
11	86005580	56012	NIPPLE, ¼ FPT QUICK DISCONNECT		
12	86163550	57259	NUT, COLLAR HANDTOOL		
13	-	27791	COLLAR, HANDTOOL CST		
14	86163840	70630	SCR, COLLAR HANDTOOL		
15	86163230	38282	HANDLE, SPRAY		
16	86163320	40074	HOSEBARB, ¼ FPT		
17	86163610	59036	O-RING, HOSEBARB		

SPW ACCESSORY WAND

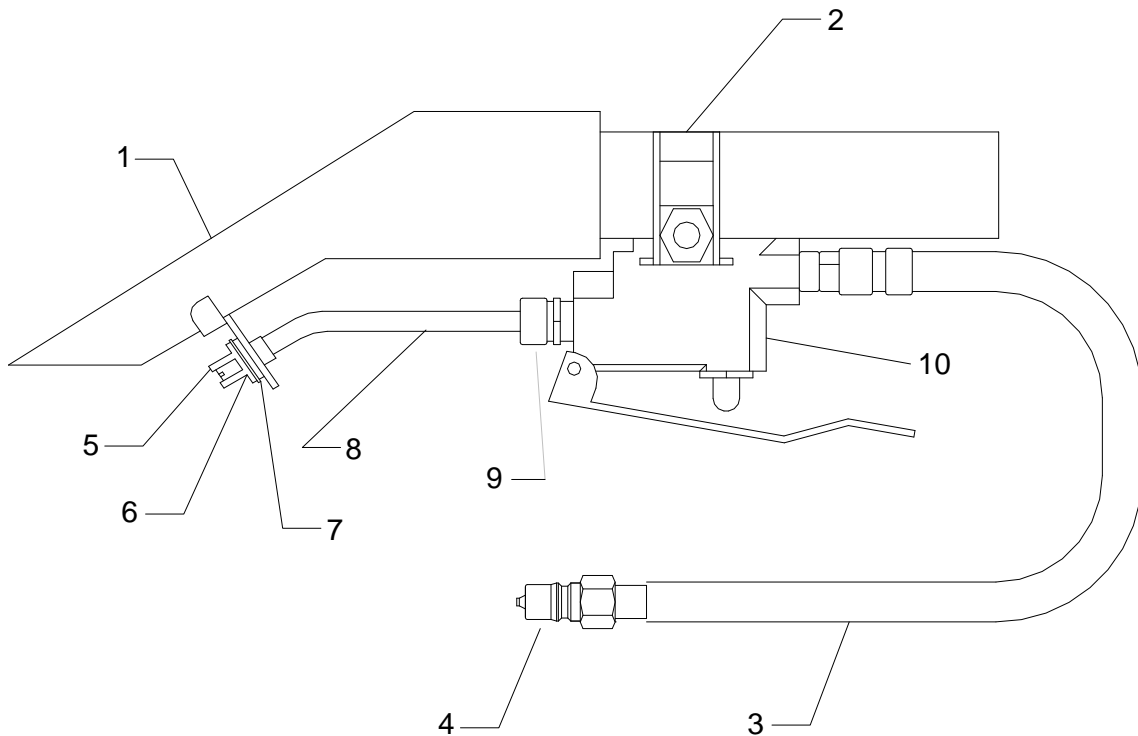


WARNING: Do not use with extractors producing over 100 psi pressure.

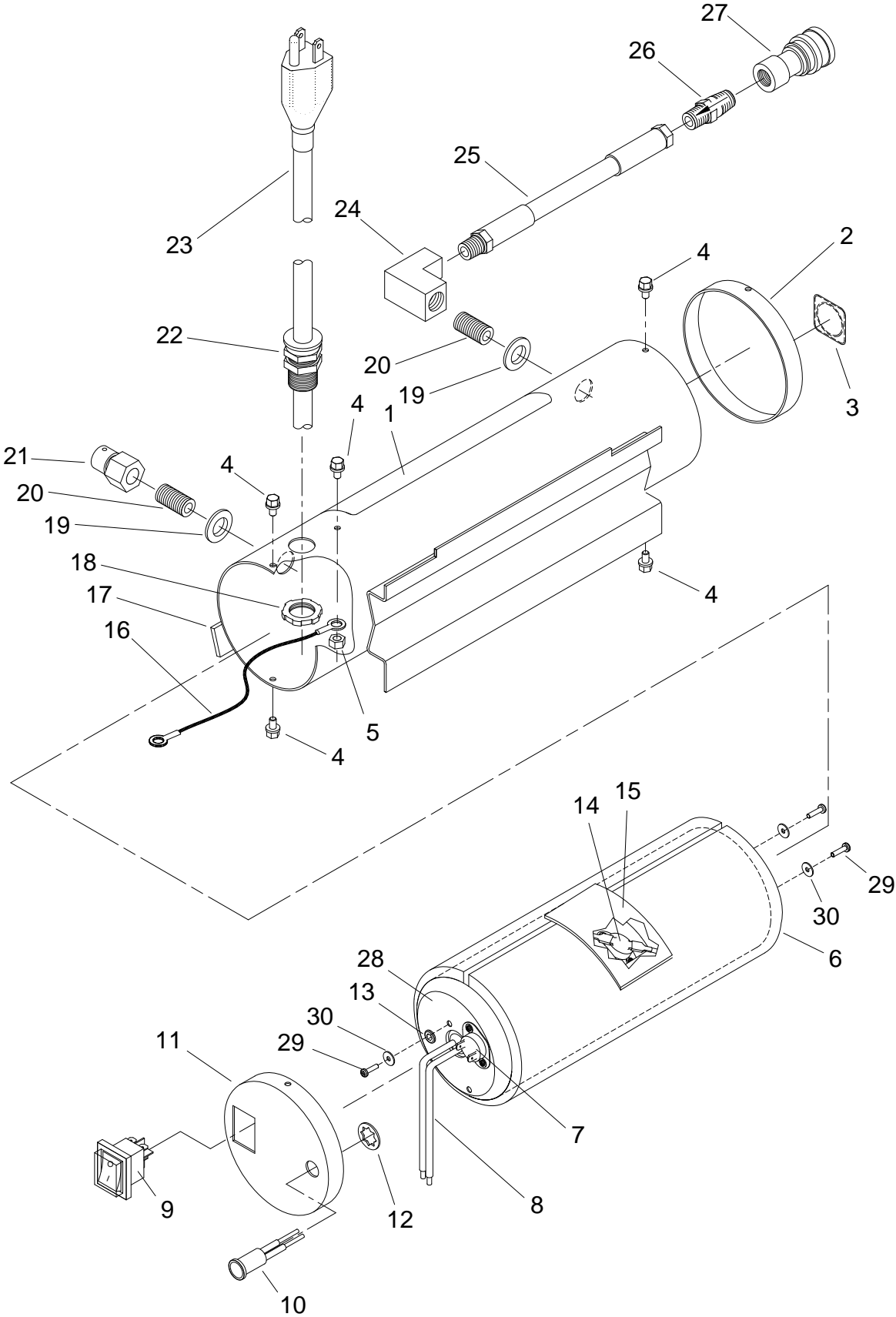
REF	PART NO.	PRV NO.	DESCRIPTION	SERIAL NO. FROM	NOTES:
1	86005580	56012	Quick Disconnect, ¼ FPT		
2	86005590	56014	Nipple, ¼ MPT Close		
3	86197390	31021	Elbow, 45° ¼ MPT x FPT St		
4	86010490	84018	Valve, Solution		
5	86197500	40009	Hosebarb, ¼ MPT x ¼		
6	86233090	20016	Clamp, ¼" Dia. Hose		
7	86264940	27051	Cable Tie, 10.75"		
8	86134550	99225	Hose, ¼ ID, 250psi blue x 3.7'		
9	86197530	40012	Hosebarb, ¼ FPT x ¼		
10	86090230	87015	Washer, 9/16 Flat		
11	86241630	44049	Jet, H ¼, 11004 brass		
12	86230290	140440	Brkt, 1 1/4" valve mount SPW		

HAND TOOL & PARTS LIST

REF	PART NO.	PART NO.	DESCRIPTION	SERIAL NO. FROM	NOTES:
1	86135860	41422	HOUSING, HANDTOOL SPOTTER		
2	86233160	20053	CLAMP, DHT VALVE		
3	86135800	39618	HOSE ASM, HT VALVE 12"		
4	86005580	56012	NIPPLE, 1/4 FPT QD		
5	86135950	44074	JET, ASM W/O RING		
6	86274740	70268	SCR, 8-32 X1/4 PHST PLTD		
7	86136390	62918	PLATE, RETAINER W/SCRS		
8	86136190	54181	MANIFOLD, SPOTTER 3/16		
9	86135650	34384	FITTING, 1/8MPT X 3/16 COMP		
10	86258950	84189	VALVE ASM, BRASS HT		
-	86000020	HT	HAND TOOL		ASSEMBLY



PROH2 HEATER

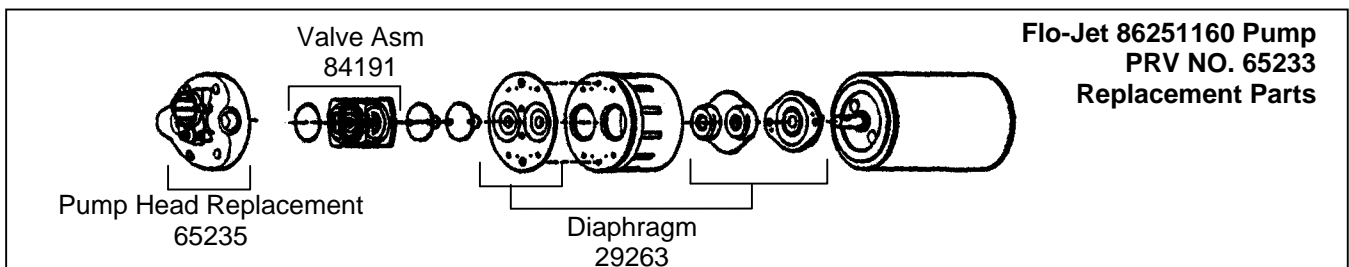
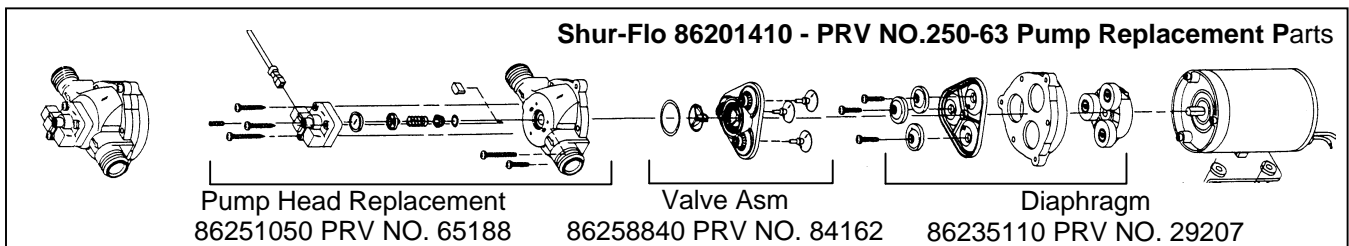


PROH2 HEATER

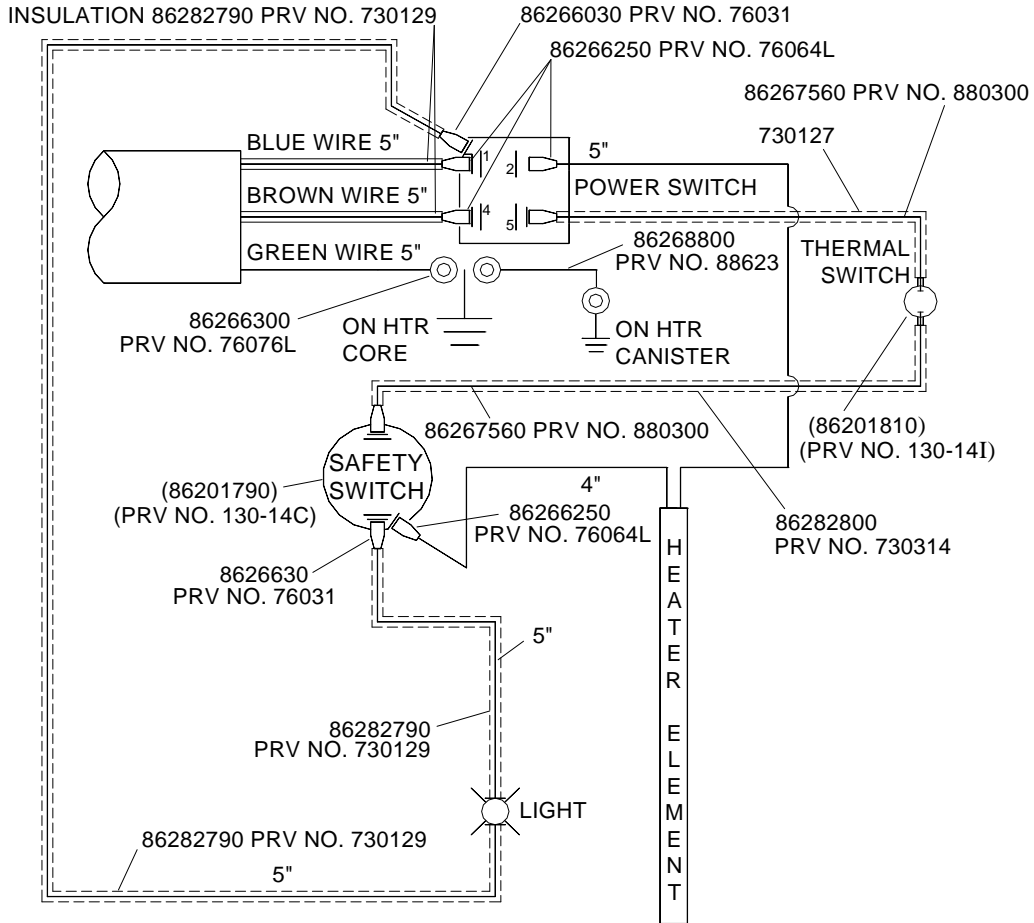
REF	PART NO.	PRV NO.	QTY	DESCRIPTION	SERIAL NO. FROM	NOTES:
1	86161750	48-941396	1	LABEL, HEATER WARNING PROCHEM		
2	86241010	41504	1	HOUSING, CAP OUTLET END NU		
3	86245650	50776	1	LABEL, FOR SAFETY		
4	86006790	70351	5	SCR, 10-32 X 3/8 HHTR W/STAR		
5	86005700	57104	1	NUT, 10-32 W/STAR WASHER PLTD		
6	86241470	41513	1	INSULATION, HEATER		
7	86201790	130-14C	1	THERMOSTAT RESET 302		
8	86199980	130-14	1	HEATER ELEMENT 110V		
9	86162010	32-900195	1	SWITCH, DPST, LGHTD RCKR GRN		
10	86246490	51041	1	LIGHT, 115V NEON INDICATOR		
11	86241000	41503	1	HOUSING, CAP SWITCH END NU		
12	86233480	22046	1	CLIP, NEON LAMP		
13	86006180	66095	1	PLUG, 1/8 MPT HEX BRASS		
14	86201810	130-14I	1	THERMOSTAT W/SPADE LEADS		
15	86264110	41514	1	INSULATION PAPER		
16	86268800	88623	1	WIRE, 4" G/Y/14 76010 X 76010		
17	86092890	41502	1	HOUSING ASM, HEATER PORT NU		
18	86005670	57040	1	NUT, 1/2 NPT CONDUIT		
19	86202230	390-09A	2	WASHER, 9/16 S/S USS-THICK		
20	86005590	56014	2	NIPPLE, 1/4 CLOSE		
21	86005580	56012	1	NIPPLE 1/4 FPT QD		
22	86256240	73505	1	STRAIN RELIEF, 1/2 NPT TRUMPET		
23	86199530	060-04	1	CORD ASM, 12/ SJT X 25' BLK		
24	86197370	31017	1	ELBOW, 1/4 FPT X 1/4 FPT		
25	86200400	39709	1	HOSE, PULSE 47-1/4 FPT X 1/4 MPT		
26	86258780	84144	1	VALVE, CHECK 0-800 PSI, 1/4 MPT		
27	86002450	22015	1	COUPLER, 1/4 QD		
28	86239540	41501	1	HEATER CART, CASE WELDED		
29	86200870	300-06A	3	PAN HD SH MTL SCREW 6 X 3/16 B		
30	86010650	87018	3	WASHER, #10 X 9/16 OD		

PRO SPRAY TOOL

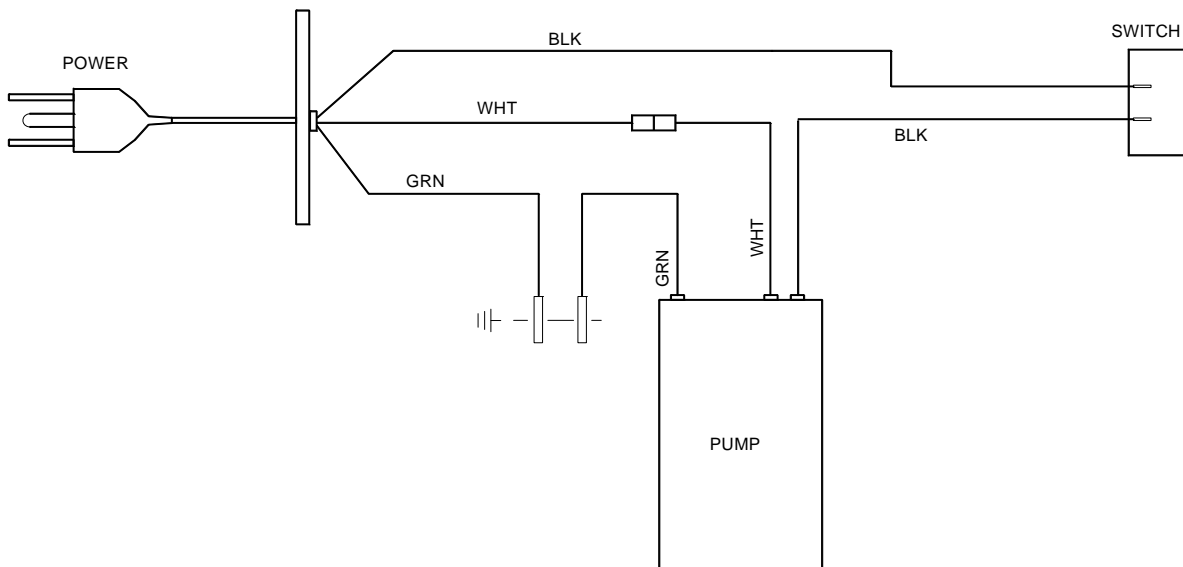
REF	PART NO.	PRV NO.	QTY	DESCRIPTION	SERIAL NO. FROM	NOTES:
1	86134490	99667	5"	HEAT SHRINK, 3/4 ID UL/CSA		
2	86233090	20016	4	CLAMP, 1/4 ID HOSE		
3	-	730044	1	STRAP ASM 1" W BLACK W/CLIPS		
4	86272850	67152	2	KEY RING 1"		
5	86256180	73195	5	STRAIN RELIEF, 1/2 NPT (.48ID)		
6	86199520	060-03	1	CORD 15' BLK 16/3 SJTW/A PLUG		
7	86200570	170-41	1	LABEL CIRCUIT INTERRUPTER		
8	86090830	065-03A	1	CORD WRAP FOR TURBO X		
9	86273810	70018	5	SCR, 1/4-20 X 1 HHCS SS		
10	86005810	57245	5	NUT, 1/4-20 HEX NYLOCK SS		
11	86010630	87013	10	WASHER, 1/4 ID X 5/8 OD SS		
12	86010690	87068	4	WASHER, 1/8 RIVET BACKUP		
13	86256960	72142	1	SWITCH, SPST 15A EURO ROCKER		
14	86005670	57040	1	NUT, 1/2 NPT CONDUIT		
15	86060250	41404	1	HOUSING, TURBO II DK BLU (MLD)		
16	86281810	39508	1	HOSE, 1/4 NYLOBRAID X 15"		
17	86090910	065-05	1	PLATE, PUMP COVER TURBO II		
18	86251160	65233	1	PUMP, 120V LOW PRESSURE		WAS 250-63 - Shurflo
19	86199340	240-18A	1	CAP 2 1/2 GAL. JUG		
20	86201920	240-18	1	TURBO II JUG		
21	86199960	110-22	3	GROMMET 6 GAL. PORT		
22	86200280	250-12	2	HOSEBARB, 3/8 MPT X 1/4 90D		
23	86005710	57105	2	NUT, 1/4-20 HEX W/ STAR WASHER		
24	86282140	39585	1	HOSE, 1/4 URETHANE X 63"		
25	86006890	70424	6	SCR, 8-32 X 5/8 HHMS PLTD		
26	86278990	87017	6	WASHER, #8 FLAT		
27	86270850	57026	6	NUT, 8-32 HEX NYLOCK SS		
28	86201600	290-10	1	STRAINER 1/4 BARB S/S		
29	86273820	70019	1	SCR, 1/4-20 X 1.25 HHCS SS		
30	86197530	40012	1	HOSEBARB, 1/4FPT X 1/4		
31	86090230	87015	2	WASHER, 9/16 ID X 1.06 OD SS		
32	86197500	40009	1	HOSEBARB, 1/4 MPT X 1/4 DL		
33	86200060	150-19	1	HOSE SPRING GUARD 1/4		
34	86235790	34304	1	FERRULE, .50 ID X 1.0 BRASS		
35	86282130	39584	1	HOSE, 1/4 NYLOBRAID X 8'		
36	86201280	280-01	4	RIVET AL. 1/8 X 1/2		
37	86201910	110-13	2	TURBO WAND HOLDER		
38	86284710	381-12	1	WAND TURBO PVC		
39	86242230	500009	1	LABEL, WARNING		



WIRING DIAGRAMS-PROH2 HEATER and PRO SPRAY

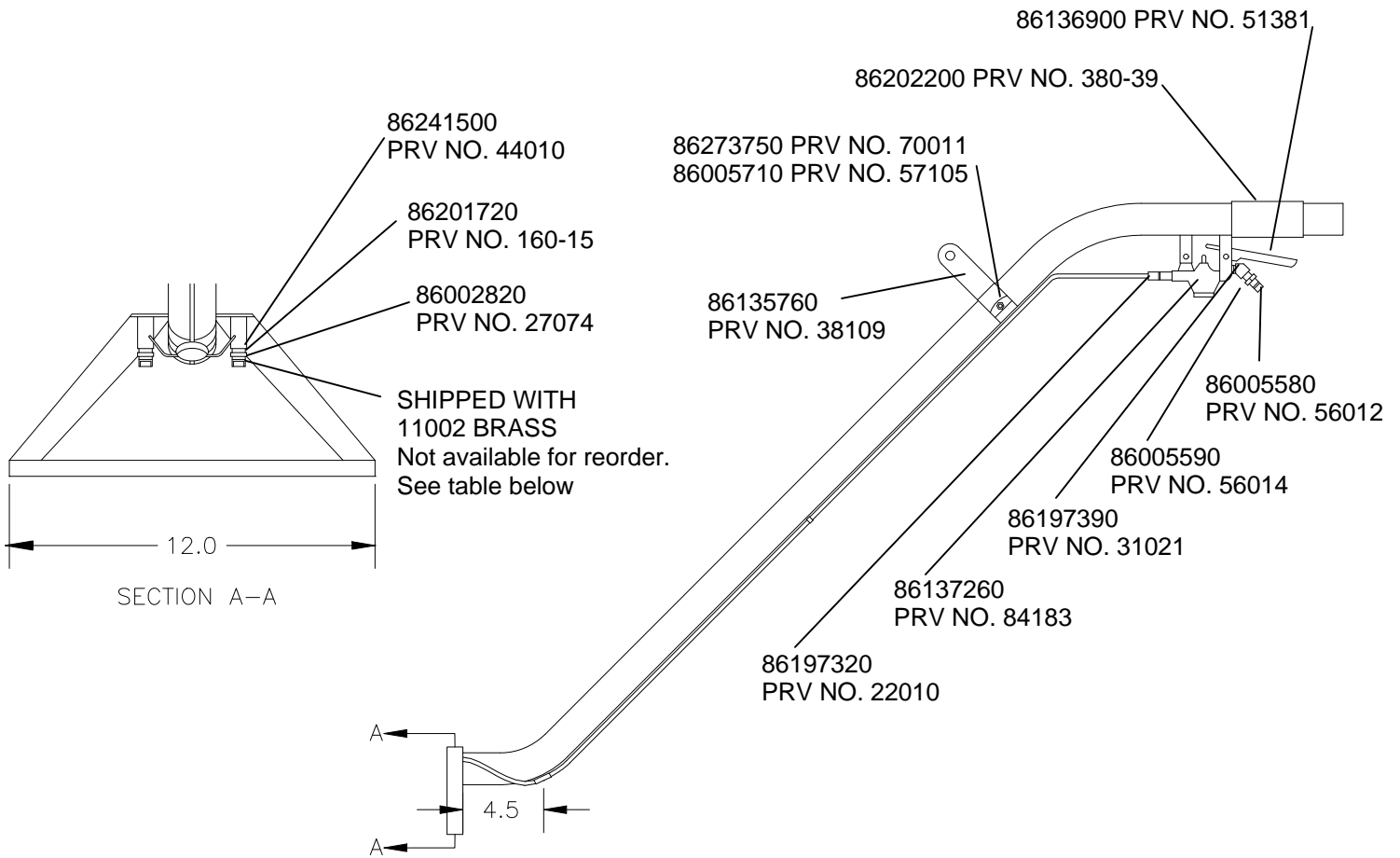


PRO HEATER DIAGRAM



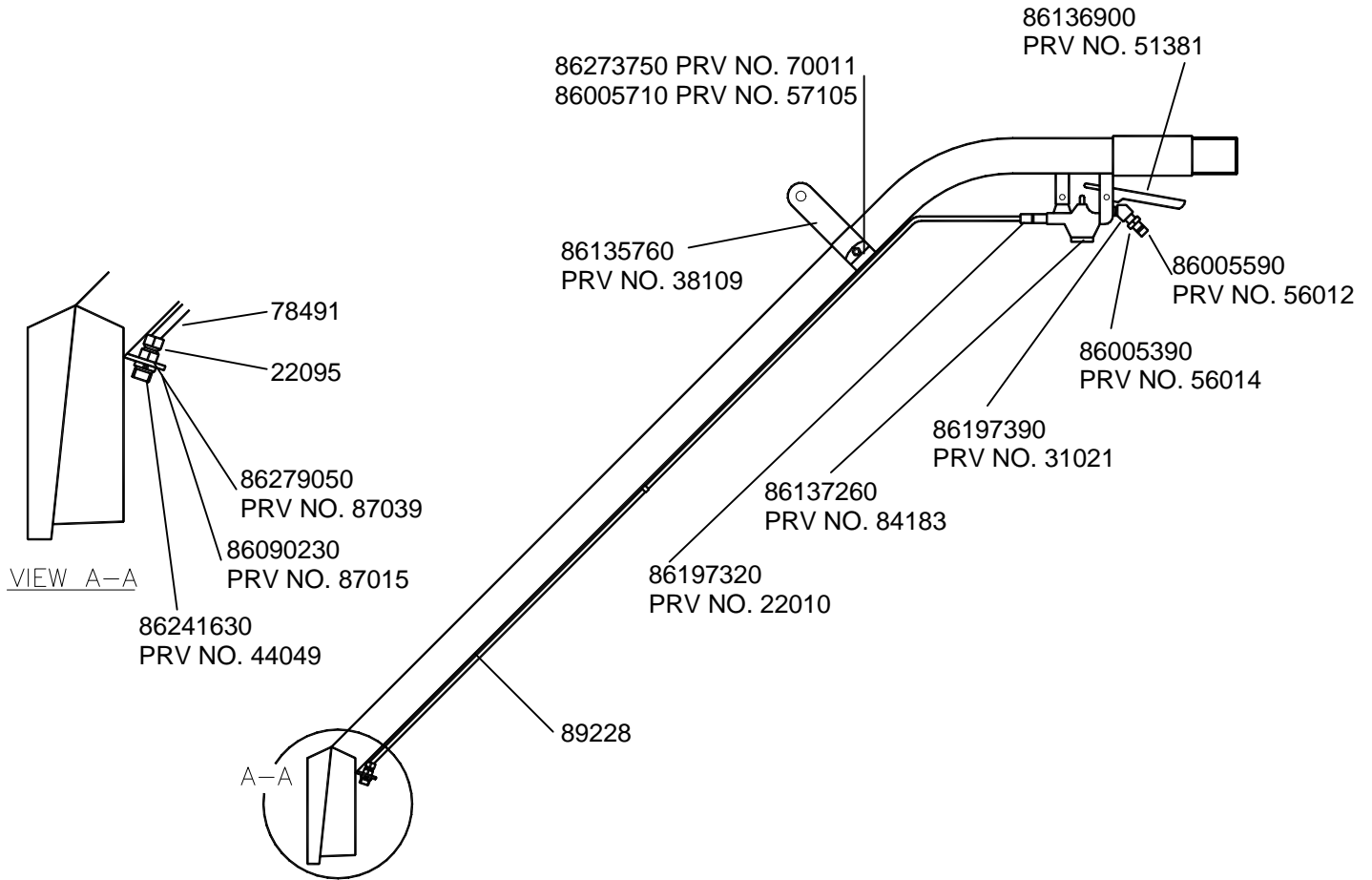
PRO SPRAY DIAGRAM

89226 DELUXE PROFESSIONAL



PART NO.	PRV NO.	PUMP PRESSURE	JET
86201760	160-32	200 PSI	11015 SS
86201670	160-27	500 PSI	9501 SS
86241570	44042	100 PSI	11002 SS

89227 STANDARD WAND



PART NO.	PRV NO.	PUMP PRESSURE	JET
86241660	44049	100 PSI (SHIPPED WITH WAND)	11004 BRASS

NOTES: