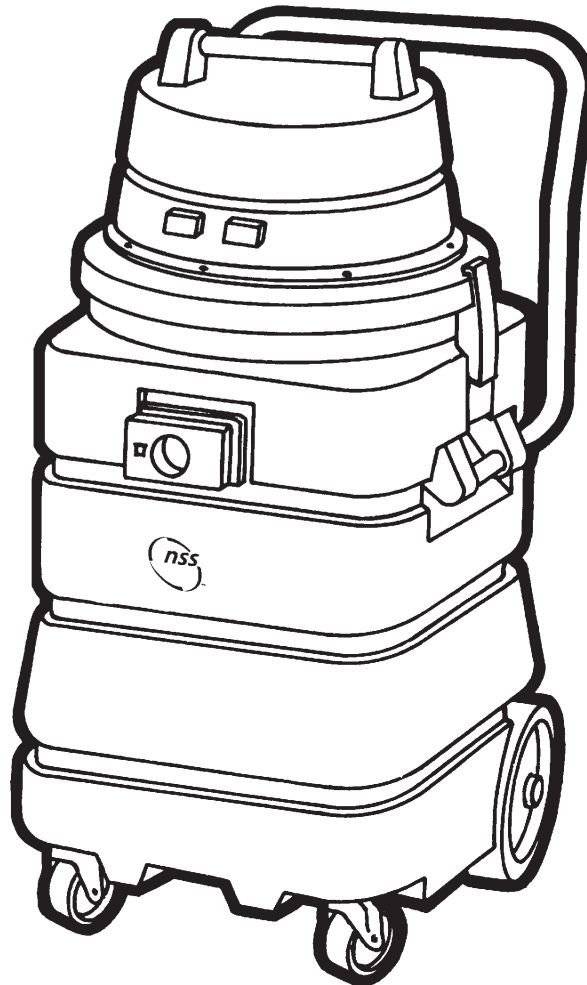


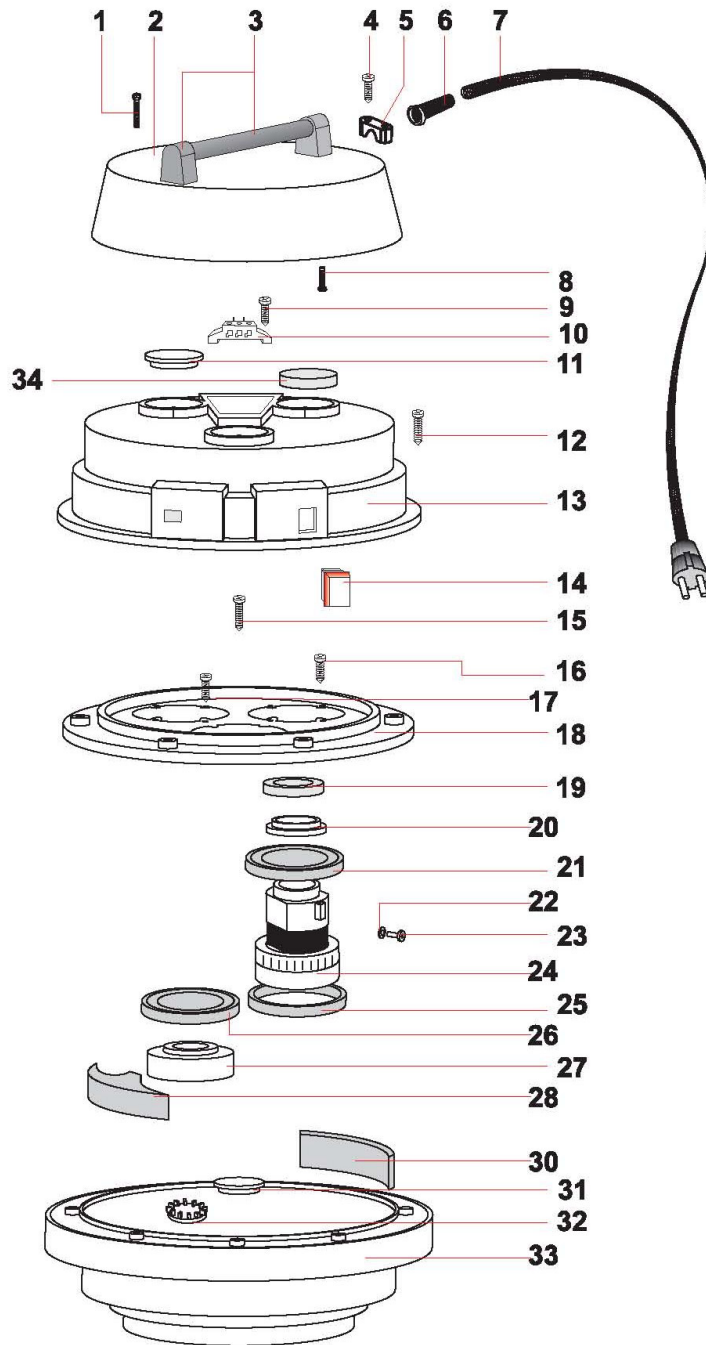
PARTS LIST
DESIGNER 16 WET / DRY VACUUM



MOTOR ASSEMBLY

ITEM	PART #	DESCRIPTION	QTY
1	5792461	M 5.2 X 50 THREAD CUTTING SCREW	6
2	5790531	TOP COVER	1
3	5792481	LIFT HANDLE ASSEMBLY	1
4	5791441	M5 X 20 THREAD CUTTING SCREW	2
5	5791041	CORD CLAMP	1
6	5791771	STRAIN RELIEF - 120 VOLT	1
	5791021	STRAIN RELIEF - 240 VOLT	1
7	5794001	CORD 16-3 SJTW - 50 FOOT - 120 VOLT	1
	0299671	SHUKO CORD - 75 FOOT - 240 VOLT	1
8	5791441	M5 X 20 THREAD CUTTING SCREW	4
9	5797161	M5 X 14 PHILLIPS HEAD SCREW	2
10	5794251	MAIN TERMINAL BLOCK	1
11	5791861	COVERING CUP	1
12	5792631	M5 X 35 THREAD CUTTING SCREW	8
13	5794261	LOWER COVER - 120 VOLT	1
	5791941	LOWER COVER - 240 VOLT	1
14	5792441	LIGHTED SWITCH	2
15	5791451	M5 X 30 THREAD CUTTING SCREW	1
16	5791441	M5 X 20 THREAD CUTTING SCREW	8
17	5791441	M5 X 20 THREAD CUTTING SCREW	4
18	5791791	MOTOR SEPARATOR - 120 VOLT	1
	5791931	MOTOR SEPARATOR - 240 VOLT	1
19	5791741	WASHER - H8 D 85 X 65	2
20	5791781	PLASTIC RING FOR MOTOR - 120 VOLT	2
	5790261	PLASTIC RING FOR MOTOR - 240 VOLT	2
21	5791721	"L" GASKET	2
22	5792651	M4 HEX NUT WITH STAR LOCK WASHER - 120 VOLT ONLY	2
23	5792551	M4 X 8 SCREW - 120 VOLT ONLY	2
24	0296439	MOTOR 120 VOLT - 60 HZ - REPLACEMENT - LAMB - INCLUDES:	2
24A	5791561	CARBON BRUSH REPLACEMENT FOR ORIGINAL MOTOR	2
	0299331	CARBON BRUSH REPLACEMENT FOR LAMB MOTOR	2
24	0296459	MOTOR 240 VOLT - 50/60 HZ - REPLACEMENT - LAMB - INCLUDES:	1
24A	5791601	CARBON BRUSH REPLACEMENT FOR ORIGINAL MOTOR	2
	0299331	CARBON BRUSH REPLACEMENT FOR LAMB MOTOR	2
25	5791721	"L" GASKET	2
26	5791721	"L" GASKET	1
27	5791871	CAP	1
28	5792311	UPPER TRIANGULAR SPACER	3
30	5790901	GASKET - 50 X 10 X 125	3
31	5791611	BASE CUP	1
32	5792341	AUTOMATIC VALVE	2
33	5790651	LID	1
34	5791731	FILTER	2
*	5798361	CONNECT WIRES - BLUE / BROWN - SET OF 2	4
*	5798371	GROUND WIRES - GREEN / YELLOW	2
*	5798381	WIRE TERMINAL	4
*	5798391	WIRE TIES	3
N/S	5790971	WARNING DECAL - 120 VOLT ONLY	1
N/S	5790981	GROUNDING DECAL - 120 VOLT ONLY	1
N/S	5790991	ICON ADAPTOR DECAL - 240 VOLT ONLY	1
N/S	5790951	NSS LOGO - DECAL 3.5 X 7	2
N/S	5790961	WET / DRY DECAL	1
N/S	5790941	NAME IDENTIFIER DECAL	1

MOTOR ASSEMBLY



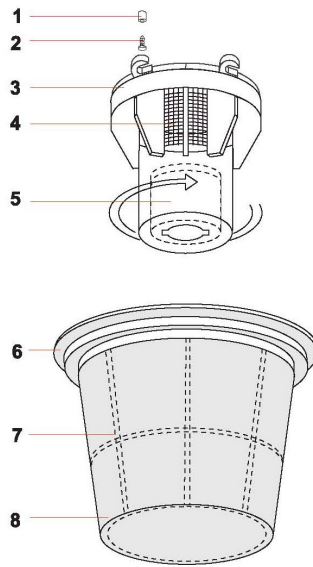
FILTER ASSEMBLY

<u>ITEM</u>	<u>PART NO.</u>	<u>DESCRIPTION</u>	<u>QTY</u>
1	5790871	SLEEVE	4
2	5798141	M5 X 20 TRUSS HEAD PHILLIPS THREAD CUTTING SCREW - 120 VOLT	4
3	5792239	FLOAT ASSEMBLY	1
4	5790881	NET FILTER	1
5	5792191	FLOAT	1
	5795281	FILTER ASSEMBLY - INCLUDES:	1
6	5790281	UPPER FILTER RING	1
7	5790611	POLYESTER FILTER	1
8	5790601	LOWER BASKET	1
9	5790631	CARTRIDGE FILTER - 75 X 145 X 163	1
10	5790641	LOWER FILTER RING	1

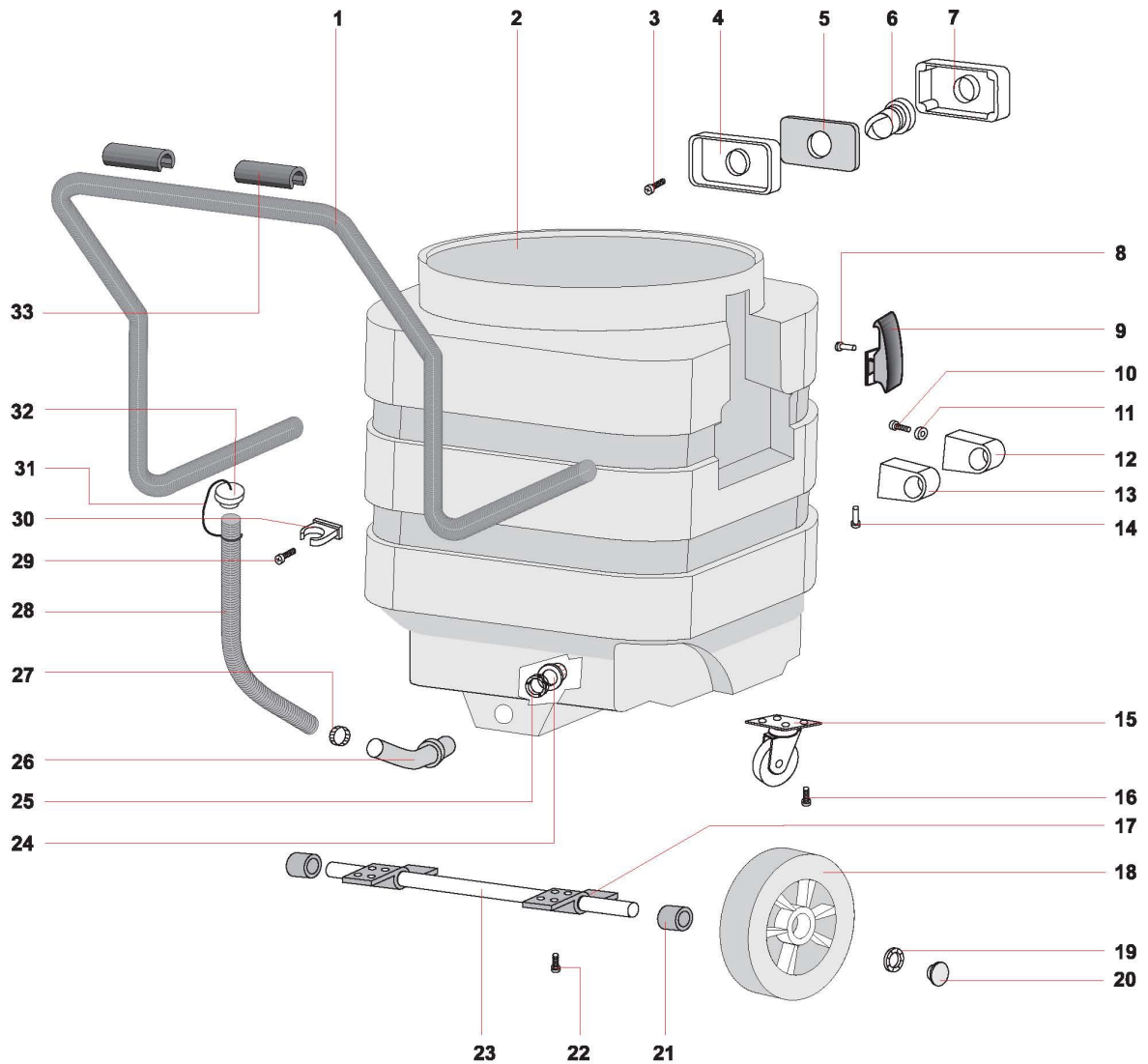
TANK AND TRANSPORT ASSEMBLY

<u>ITEM</u>	<u>PART NO.</u>	<u>DESCRIPTION</u>	<u>QTY</u>
1	5791841	HANDLE - PLASTIC	1
2	5790581	PLASTIC TANK	1
3	5791451	M5 X 30 THREAD CUTTING SCREW	4
4	5796281	INTAKE SUPPORT	1
5	5796021	INTAKE GASKET	1
6	5793381	INTAKE DEFLECTOR	1
7	5796031	PLASTIC INTAKE COMPLETE - INCLUDES:	1
7A	5793411	INTAKE, PLASTIC	1
7B	5793371	SPRING	1
7C	5793361	BUTTON - INTAKE	1
8	5792671	LID CLAMP RIVET	4
9	5792531	PLASTIC LATCH	2
10	5792631	M5 X 35 THREAD CUTTING SCREW	8
11	5791701	SEAL	8
12	5791461	TRANSPORT HANDLE BRACKET	2
13	5796291	PASSING HANDLE BRACKET	2
14	5791621	M5 X 19 POP RIVET	2
15	5796301	PLATE - CASTER	2
16	5792581	M4 X 15 THREAD CUTTING SCREW	8
17	5796331	CAN SUPPORT BRACKET	2
18	5796311	REAR WHEEL M200	2
19	5796351	WHEEL SNAP RING	2
20	5791681	WHEEL CAP	2
21	5796341	WHEEL SPACER	2
22	5791441	M5 X 20 THREAD CUTTING SCREW	8
23	5796321	WHEEL AXLE	1
24	5796381	DRAIN HOSE CONNECTOR RING 1 1/4"	1
25	5796371	DRAIN SEAL GASKET	1
26	5796361	DRAIN HOSE BARB	1
27	5790891	HOSE CLAMP	1
28	5796391	DRAIN HOSE	1
29	5798141	M5 X 20 TRUSS HEAD THREAD CUTTING SCREW	1
30	5796411	HOSE CLAMP MOUNTING RING	1
31	5796421	PLUG HOLDING STRAP	1
32	5796431	DRAIN HOSE PLUG	1
33	5791761	HANDLE GRIPS	2

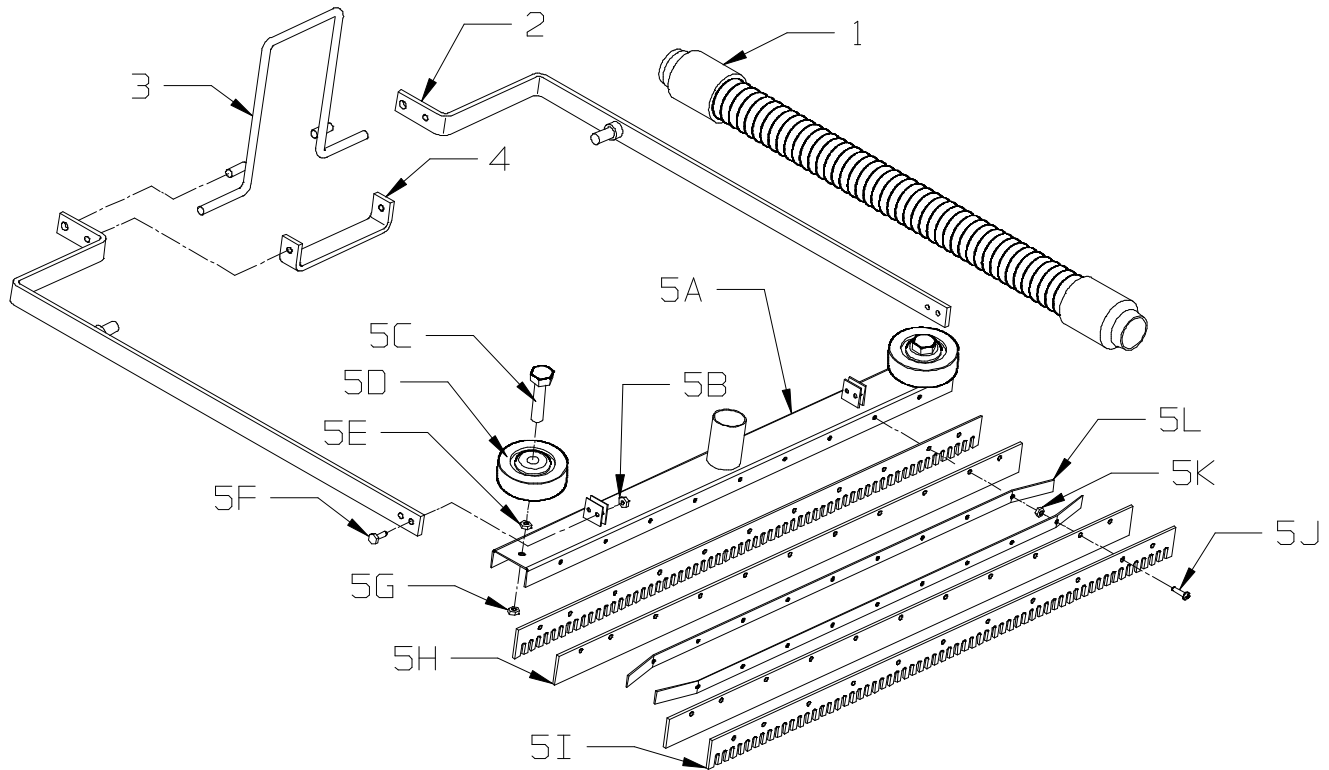
FILTER ASSEMBLY



TANK AND TRANSPORT ASSEMBLY

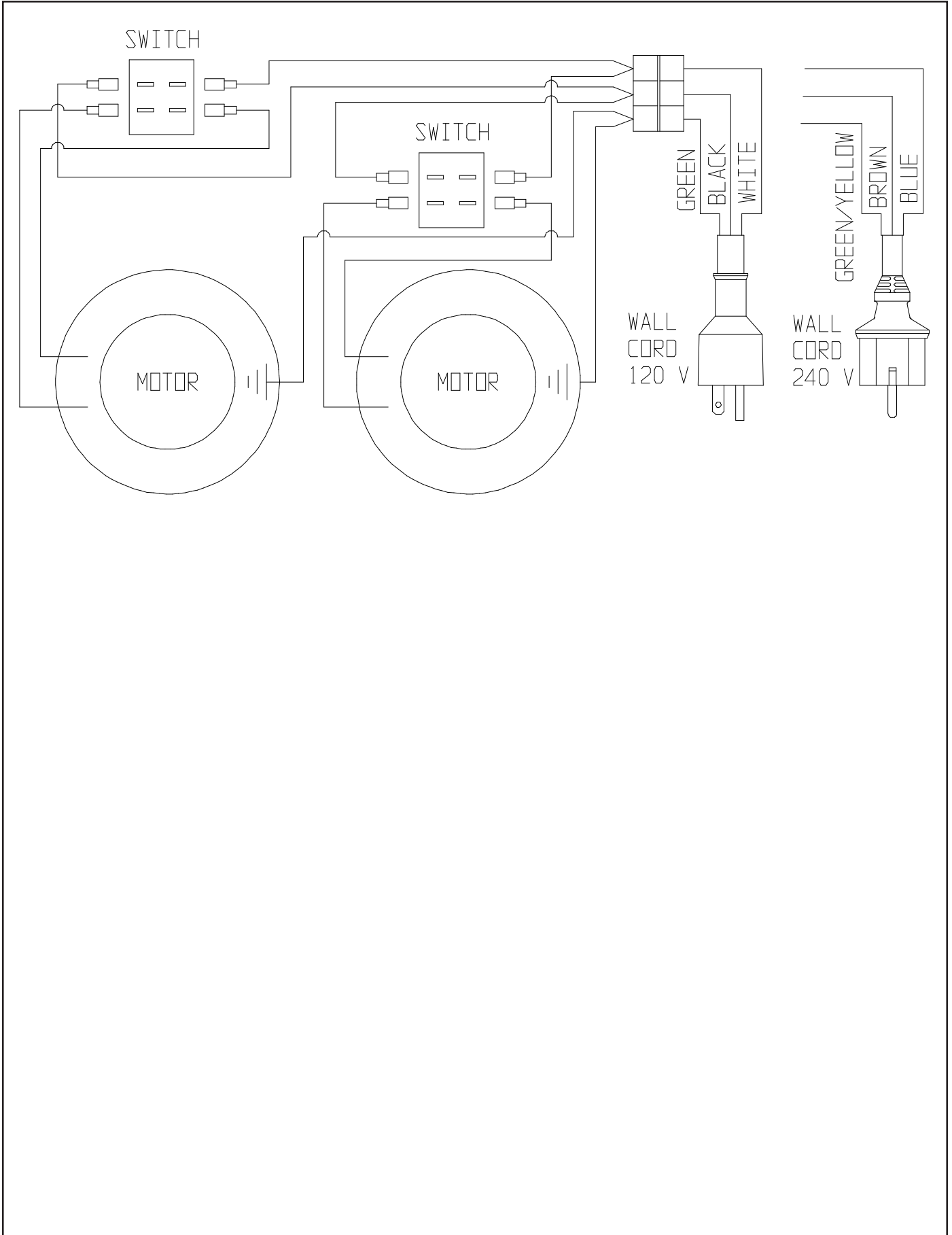


FRONT MOUNT SQUEEGEE - 5795341



<u>ITEM</u>	<u>PART NO.</u>	<u>DESCRIPTION</u>	<u>QTY</u>
1	5795441	HOSE	1
2	5795411	LIFT ARM	2
3	5795421	CROSS BAR	1
4	5795431	LATCH	1
5	5795351	FRONT MOUNT SQUEEGEE ASSEMBLY - INCLUDES:	1
5A	5795391	HOUSING	1
5B	9120900	1/4-20 HEX NUT WITH NYLOK INSERT - PACK OF 10	6
5C	9121145	1/4-20 X 2 HEX BOLT - PACK OF 5	2
5D	5795401	WHEEL	2
5E	9120920	1/4-20 HEX NUT - PACK OF 10	2
5F	9121270	1/4-20 X 1 HEX BOLT - PACK OF 10	6
5G	9120900	1/4-20 HEX NUT WITH NYLOK INSERT - PACK OF 10	2
5H	5795371	BLADE - SOLID	2
5I	5795361	BLADE - SLOTTED	2
5J	9120480	10-24 X 3/4 ROUND HEAD PHILLIPS SCREW - PACK OF 5	22
5K	9120350	10-24 HEX NUT WITH NYLOK INSERT - PACK OF 10	22
5L	5795381	BLADE - SUPPORT	2

WIRING DIAGRAM



ACCESSORIES



5797071 WET / DRY TOOL KIT INCLUDES:
5797061 HOSE - 1 1/2" X 8 FEET LONG
5797011 15" SQUEEGEE TOOL WITH WHEELS
5797021 15" BARE FLOOR TOOL WITH WHEELS
5797031 15" CARPET TOOL WITH WHEELS
5790111 2 1/2" ROUND BRUSH
5790291 CREVICE TOOL
5790301 9" WALL BRUSH TOOL
5790311 UTILITY NOZZLE
5790469 2 - PIECE WAND SET - 1 1/2"
3191469 HI-UP EXTENSION TUBE KIT - PLASTIC - 2 PIECE

5795281 FILTER ASSEMBLY - INCLUDES:
BAG RING, FILTER BAG, FILTER STAND (BASKET)



5797061 1 1/2" X 8' HOSE
5797081 1 1/2" WAND HOSE CUFF
5797091 INTAKE HOSE CUFF
2590309 1 1/2" EXTENSION HOSE CONNECTOR
5790021 HOSE COUPLING FOR USE WITH TOOLS



5790469 2 - PIECE WAND SET - 1 1/2"

3191469 PLASTIC HI-UP EXTENSION TUBE KIT (2PIECES)



NSS ® Enterprises, Inc.

3115 Frenchmens Road, Toledo, Ohio 43607
PHONE (419) 531-2121 FAX (419) 531-3761

NSS ® Enterprises, Inc. European Distribution Centre
Unit II, Pinfold Trading Estate * 55 Nottingham Road
STAPLEFORD, NOTTINGHAM NG9 8AD ENGLAND U.K.
PHONE: (44) 0115 939 1568 * FAX: (44) 0115 949 0615