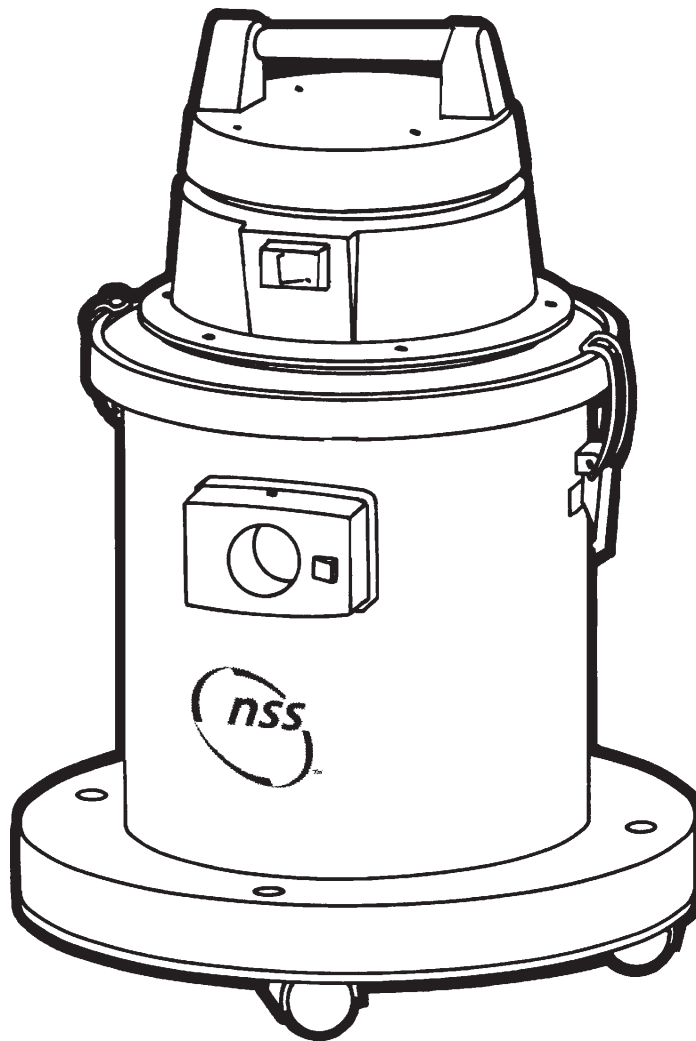


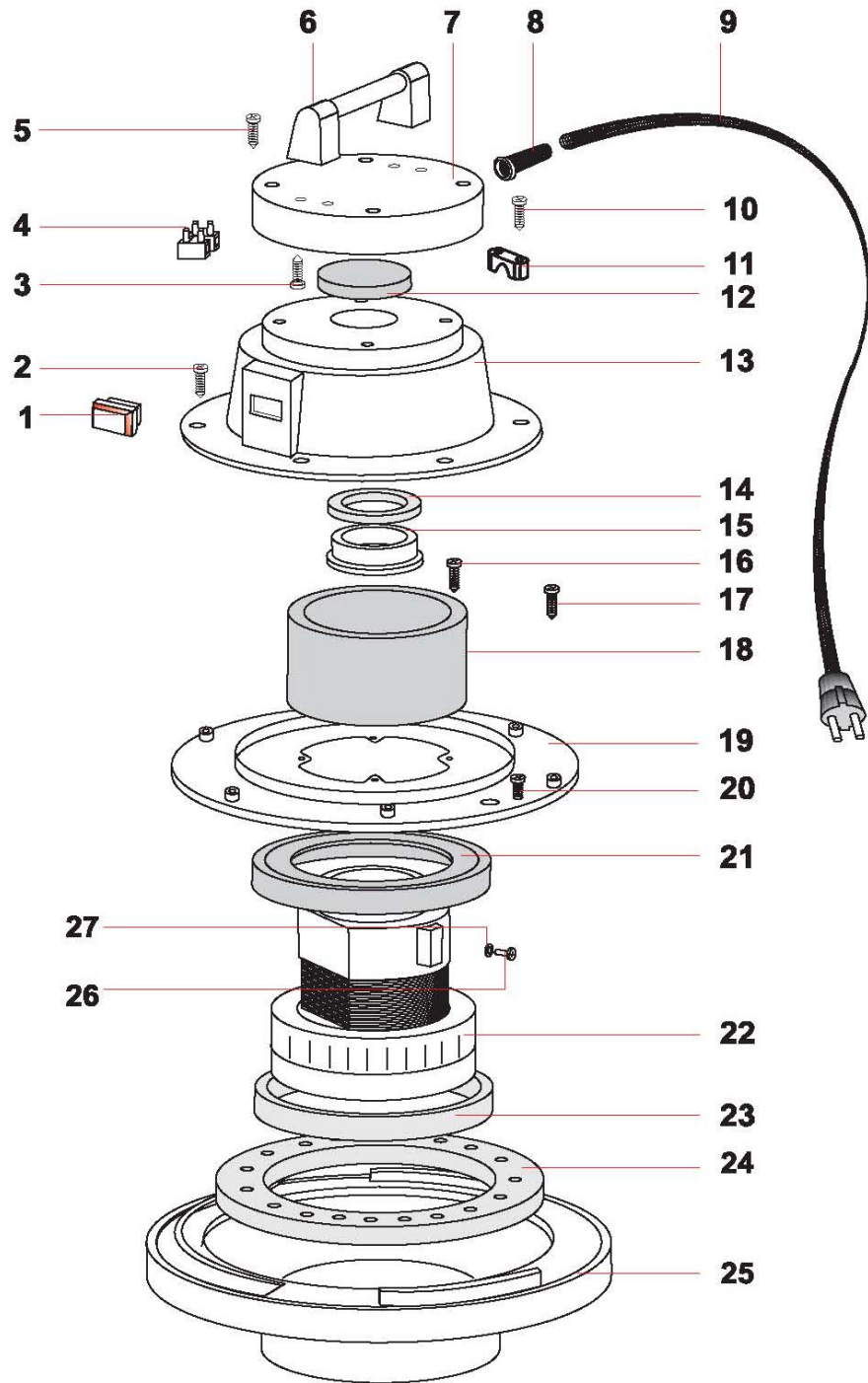
PARTS LIST
DESIGNER 4 - WET / DRY VACUUM



MOTOR ASSEMBLY

ITEM	PART #	DESCRIPTION	QTY
1	5791411	SWITCH	1
2	5791441	M5 X 20 THREAD CUTTING SCREW	6
3	5791441	M5 X 20 THREAD CUTTING SCREW	4
4	5791431	TERMINAL BLOCK	1
5	5791451	M5 X 30 THREAD CUTTING SCREW	4
6	5791481	LIFT HANDLE ASSEMBLY	1
7	5790551	TOP COVER - 120 VOLT	1
	5791971	TOP COVER - 240 VOLT	1
8	5791771	STRAIN RELIEF - 120 VOLT	1
	5791021	STRAIN RELIEF - 240 VOLT	1
9	5794001	CORD 16-3 SJTW - 50 FOOT - 120 VOLT	1
	0299671	SHUKO CORD - 75FT - 240 VOLT	1
10	5791441	M5 X 20 THREAD CUTTING SCREW	2
11	5791041	CORD CLAMP	1
12	5791731	FILTER	1
13	5790511	LOWER COVER - 120 VOLT	1
	5791951	LOWER COVER - 240 VOLT	1
14	5791741	WASHER - H8 D 85 X 65	1
15	5790261	PLASTIC RING FOR MOTOR	1
16	5791441	M5 X 20 THREAD CUTTING SCREW	4
17	5797161	M5 X 14 PHILLIPS HEAD SCREW	2
18	5791711	FOAM FILTER	1
19	5791881	MOTOR SEPARATOR - 120 VOLT	1
	5792021	MOTOR SEPARATOR - 240 VOLT	1
20	5790341	M5 X 8 THREAD CUTTING SCREW	1
21	5791721	"L" GASKET	1
22	0296439	MOTOR 120 VOLT - 60 HZ - REPLACEMENT - LAMB - INCLUDES:	1
22A	5791561	CARBON BRUSH REPLACEMENT FOR ORIGINAL MOTOR	2
	0299331	CARBON BRUSH REPLACEMENT FOR LAMB MOTOR	2
22	0296459	MOTOR 240 VOLT - 50/60 HZ - REPLACEMENT - LAMB - INCLUDES:	1
22A	5791601	CARBON BRUSH REPLACEMENT FOR ORIGINAL MOTOR	2
	0299331	CARBON BRUSH REPLACEMENT FOR LAMB MOTOR	2
23	5791721	"L" GASKET	1
24	5791691	WASHER MTP - 65MM 18D 230 X 145	1
25	5791811	BASE WITH GASKET	1
26	5792551	M4 X 8 SCREW - 120 VOLT ONLY	1
27	5792651	M4 EXTERNAL STAR LOCK WASHER - 120 VOLT ONLY	1
*	5790411	WIRE WITH RESISTANCE	1
*	5798361	CONNECT WIRES - BLUE / BROWN - SET OF 2	2
*	5798371	GROUND WIRES - GREEN / YELLOW	1
*	5798381	WIRE TERMINAL	2
*	5798391	WIRE TIES	2
N/S	5790971	WARNING DECAL - 120 VOLT ONLY	1
N/S	5790981	GROUNDING DECAL - 120 VOLT ONLY	1
N/S	5790991	ICON ADAPTOR DECAL - 240 VOLT ONLY	1
N/S	5790951	NSS LOGO - DECAL 3.5 X 7	2
N/S	5790961	WET / DRY DECAL	1
N/S	5790921	NAME IDENTIFIER DECAL	1

MOTOR ASSEMBLY



FILTER ASSEMBLY

<u>ITEM</u>	<u>PART #</u>	<u>DESCRIPTION</u>	<u>QTY</u>
1	5790871	SLEEVE	4
2	5798141	M5 X 20 TRUSS HEAD PHILLIPS THREAD CUTTING SCREW - 120 VOLT	4
	5791641	M5 X 25 TRUSS HEAD PHILLIPS THREAD CUTTING SCREW - 240 VOLT	4
3	5790591	SCREEN SUPPORT	1
4	5795011	FLOAT SCREEN	1
5	5790621	LOWER FLOAT	1
	5793341	FILTER BAG ASSEMBLY - INCLUDES:	1
6	5791201	BAG RING	1
7	5790861	POLYESTER FILTER	1
8	5790851	LOWER BASKET	1

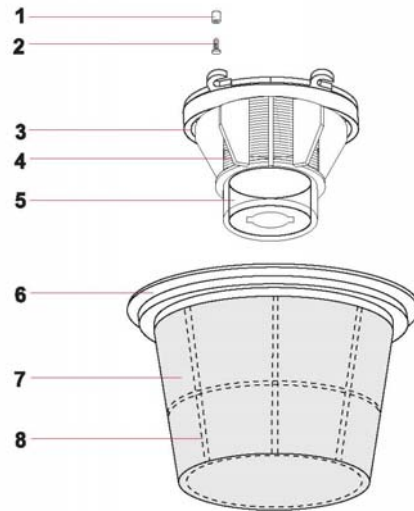
TANK ASSEMBLY

<u>ITEM</u>	<u>PART #</u>	<u>DESCRIPTION</u>	<u>QTY</u>
1	5793301	CONTAINER	1
2	5791361	M5 X 11 POP RIVET	4
3	5792531	LID CLAMP	2
4	5791451	M5 X 30 THREAD CUTTING SCREW	4
5	5796021	INTAKE GASKET	1
6	5796551	INTAKE SUPPORT	1
8	5793381	INTAKE DEFLECTOR	1
10	5796031	PLASTIC INTAKE COMPLETE - INCLUDES:	1
	5793411	INTAKE, PLASTIC	1
7	5793371	SPRING	1
9	5793361	BUTTON - INTAKE	1

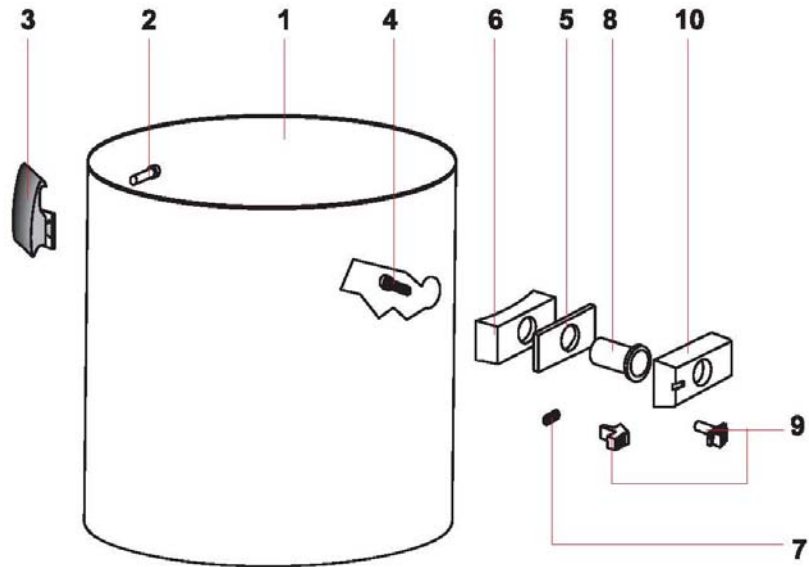
TRANSPORT ASSEMBLY

<u>ITEM</u>	<u>PART #</u>	<u>DESCRIPTION</u>	<u>QTY</u>
1	5791341	8M HEX CAP NUT	4
2	5791331	8M X 24 WASHER	4
3	5790251	BASE - 500	1
4	5791311	CASTER - THREADED BALL TYPE	4

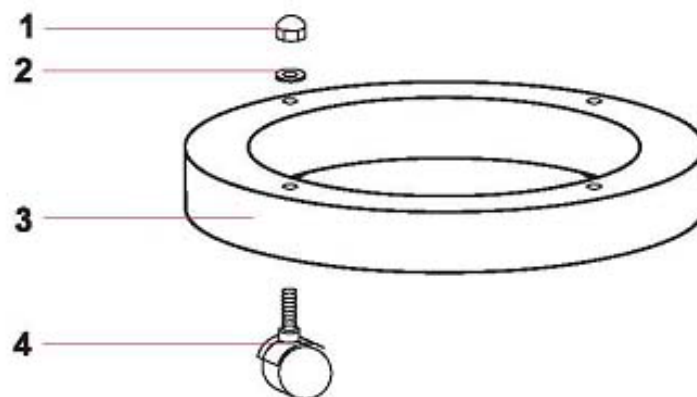
FILTER ASSEMBLY



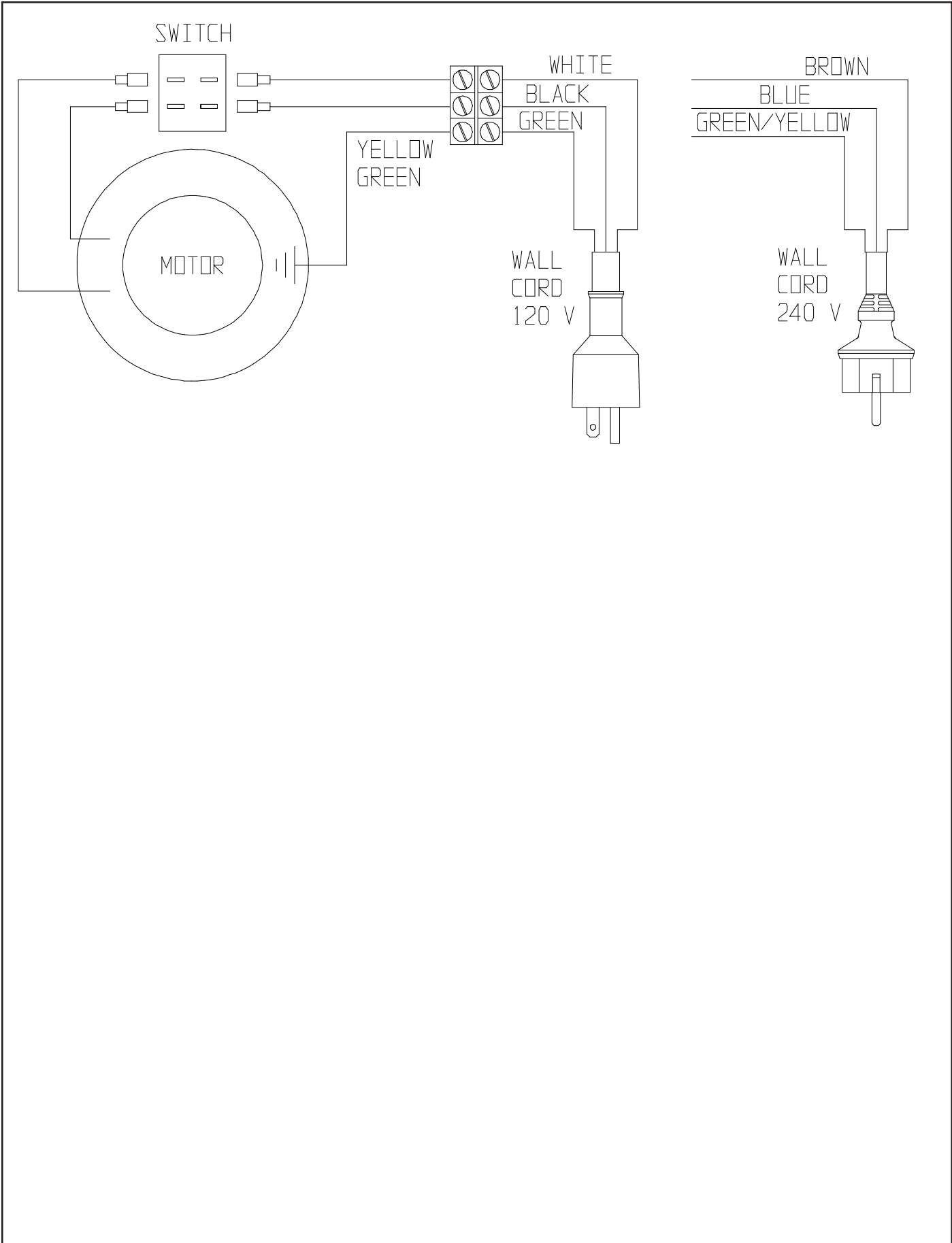
TANK ASSEMBLY



TRANSPORT ASSEMBLY



WIRING DIAGRAM



ACCESSORIES



5797051 WET / DRY TOOL KIT - INCLUDES:
5797061 HOSE - 1 1/2" X 8 FEET LONG
5797299 WAND KIT
5790111 2 1/5" ROUND BRUSH TOOL
5790121 CREVICE TOOL
5790131 CARPET / BARE FLOOR TOOL - 10 "
5790171 UPHOLSTERY TOOL
5797211 17 INCH SQUEEGEE TOOL

5790229 17 INCH SQUEEGEE RUBBER - SET OF 4 - REPLACEMENT



5793341 FILTER BAG WITH RING - INCLUDES
BAG RING, BAG STAND, AND FILTER BAG

5797061 1 1/2" X 8' HOSE
5797081 1 1/2" WAND HOSE CUFF
5797091 INTAKE HOSE CUFF

5790021 HOSE COUPLING



2590309 1 1/2" EXTENSION HOSE CONNECTOR



NSS ® Enterprises, Inc.

3115 Frenchmens Road, Toledo, Ohio 43607
PHONE (419) 531-2121 FAX (419) 531-3761

NSS ® Enterprises, Inc. European Distribution Centre
Unit II, Pinfold Trading Estate * 55 Nottingham Road
STAPLEFORD, NOTTINGHAM NG9 8AD ENGLAND U.K.
PHONE: (44) 0115 939 1568 * FAX: (44) 0115 949 0615