

VIPER

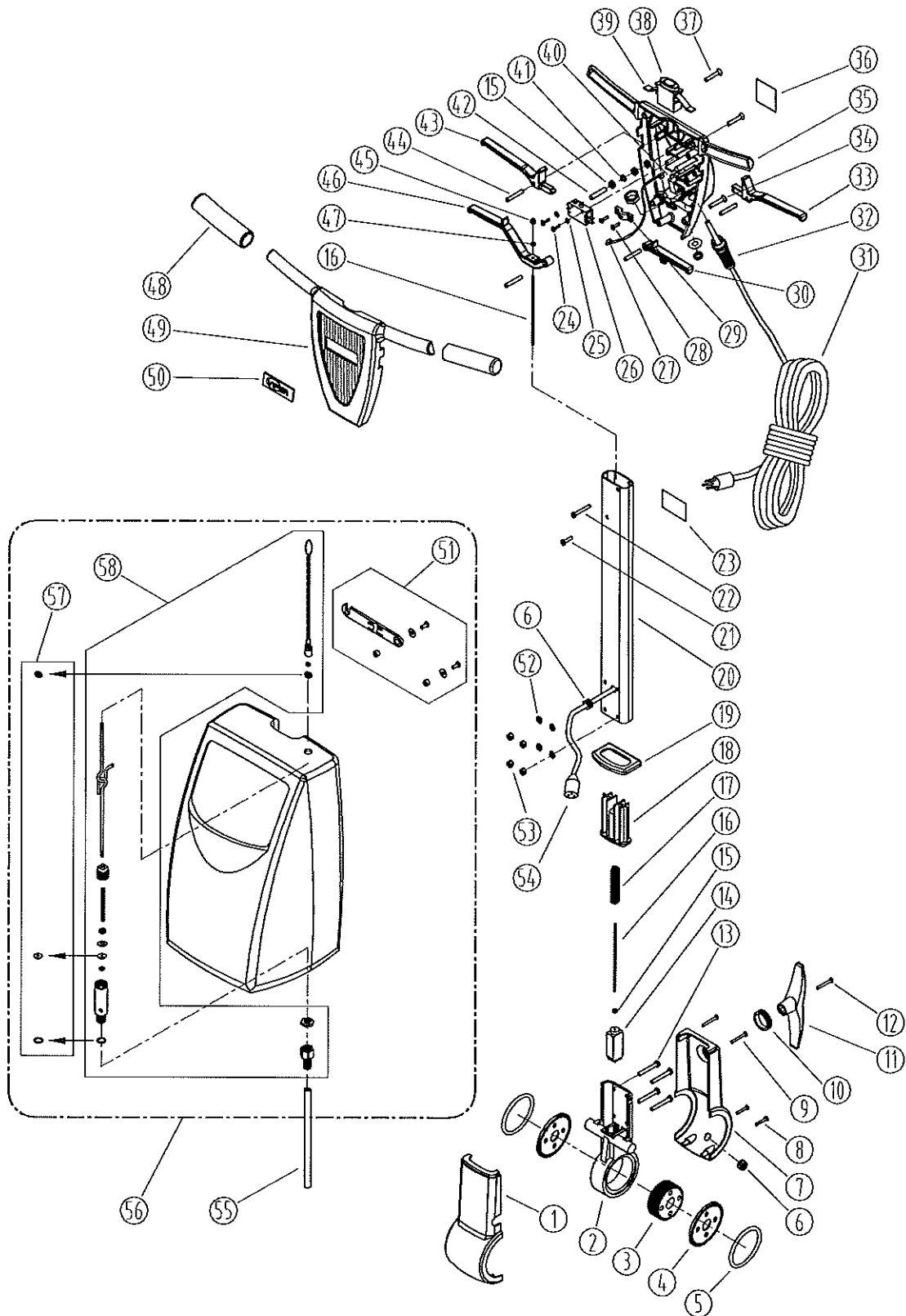
DRAGON

DR20175/20125/17175/17125

LOW SPEEDS

*****PLEASE MAKE SURE YOU MATCH YOUR MODEL AND SERIAL
NUMBER WHEN LOOKING AT THIS SCHEMATIC TO ENSURE THE
CORRECT PARTS ARE BEING ORDERED*****

HANDLE GROUP FOR DR SERIES



DRAGON LOW SPEEDS - NEW STYLE HANDLE ASSEMBLY

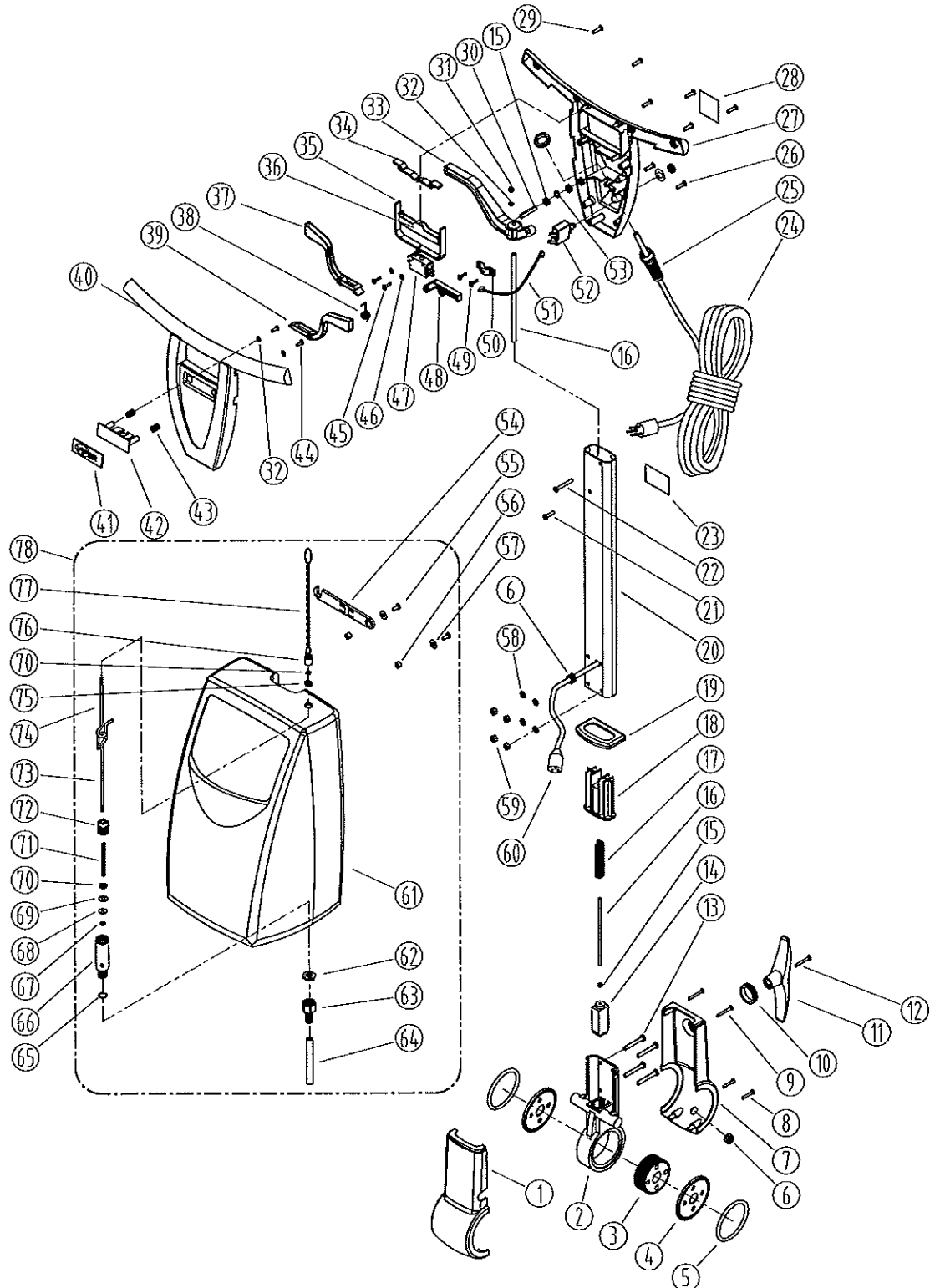
DR17175 - #462+, DR20125 - #555+, DR20175 - #1050+

DIA NO	PART NUMBER	DESCRIPTION	NO REQ'D
1	VF47009	FRONT COVER, GEAR SEAT	1
2	VF47029	GEAR SEAT	1
3	VF40171	GEAR KIT (INCLUDES GEAR & LEVELING INSERT)	1
4	GV40227	WASHER, NYLON	2
5	GV40228	"O" RING, GEAR SEAT	2
6	VF50120	GROMMET	2
7	VF47015	REAR COVER, GEAR SEAT	1
8	VF14080	SCREW, SELF-TAPPING, M4 x 25	2
9	VF14000	SCREW, SELF-TAPPING, M4 x 30	2
10	VF47046	SEAL, HOOK	1
11	VF47045	HOOK, CABLE	1
12	VF13616	SCREW, HEX, M10 x 55	1
13	GT13019	SCREW, M6 x 45	4
14	VF40171	GEAR KIT (INCLUDES GEAR & LEVELING INSERT)	1
15	GT13013	NUT, M4	4
16	VF47103	LEVELING ROD	1
17	VF47007	SPRING, LEVELING	1
18	VF47033	RETAINER	1
19	VF47008	SEAL, TUBE	1
20	VF47102	TUBE	1
21	VA13474	SCREW, PH, M5 x 16	1
22	VA13476	SCREW, PH, M5 x 40	1
23	VF41187	SERIAL TAG, (DR17125)	1
	VF41188	SERIAL TAG, (DR17175)	1
	VF41189	SERIAL TAG, (DR20125)	1
	VF41190	SERIAL TAG, (DR20175)	1
24	VF14212	SCREW, PH, M3 x 25	2
25	VF13511	WASHER, LOCK, INTERNAL TOOTH	2
26	VF44203	SWITCH ASSY, 20A, 250V	1
27	VF45124	JUMP WIRE	1
28	VV13650	SCREW, PH, M4 x 10	2
29	VF48309	BLOCK, HANDLE CABLE	1
30	VF46708	LEVELING HANDLE, SOLUTION	1
31	VF45119	CORD, POWER SUPPLY, STOW, 14/3C	1
32	AS22009	STRAIN RELIEF, CORD	1
33	VF46703	TRIGGER, SWITCH, LEFT	1
34	VF14226	SCREW, FH, M6 X 35	2
35	VF52118	REAR COVER, SWITCH HOUSING	1
36	VF40994	LABEL, READ MANUAL	1
37	VF14218	SCREW, PH, M6 X 40	2
38	VF46705	SAFETY BLOCK	1
39	GV40218	SPRING, SAFETY BLOCK	1
40	VF99012	CIRCUIT BREAKER, 12AMPS (DR17175 & 20175)	1
	VF99010C	CIRCUIT BREAKER, 17AMPS (DR17125 & 20125)	1
41	VF13527	WASHER, EXTERNAL TOOTH, M4	1
42	VF13526	SCREW, HEX SOCKET, M4 x 30	1
43	VF46704	TRIGGER, RIGHT, SWITCH	1
44	VF48306	PIN, LEVER	4
45	GT13014	NUT, M4, NYLON INSERT	1
46	VF46707	LEVELING HANDLE, ROD	1

DIA NO	PART NUMBER	DESCRIPTION	NO REQ'D	
47	GT13017	WASHER, LARGE, PLAIN, M4 x M16	1	
48	VF46706	HANDLE GRIP	2	
49	VF46701	FRONT COVER, SWITCH HOUSING	1	
50	VF47035A	"VIPER" LOGO	1	
51	VF40002	TANK MOUNTING KIT	1	
52	VF13600	WASHER, PLAIN, M6	4	
53	VF13502	NUT, M6, NYLON INSERT	4	
54	VF45120	CABLE, HANDLE, SJTW, 14/3C	1	
55	VF40139	HOSE, SOLUTION	1	
56	MF-EZ-001	SOLUTION TANK ASSY	1	
57	VF40001	GASKET / SEAL KIT, SOLUTION TANK	1	
58	VF40200	VALVE ASSEMBLY KIT, SOLUTION TANK	1	

	VF00046	NEW STYLE HANDLE ASSEMBLY (COMPLETE HANDLE ASSY W/O POWER CORD)		
	VF00049	NEW STYLE SWITCH HOUSING KIT (UPPER SWITCH HOUSING ONLY)		

HANDLE GROUP FOR DR SERIES



DRAGON - LOW SPEEDS - ORIGINAL STYLE HANDLE ASSEMBLY
(DR17125 - all, DR17175 - up to #461, DR20125 - up to #554, DR20175 - up to #1049)

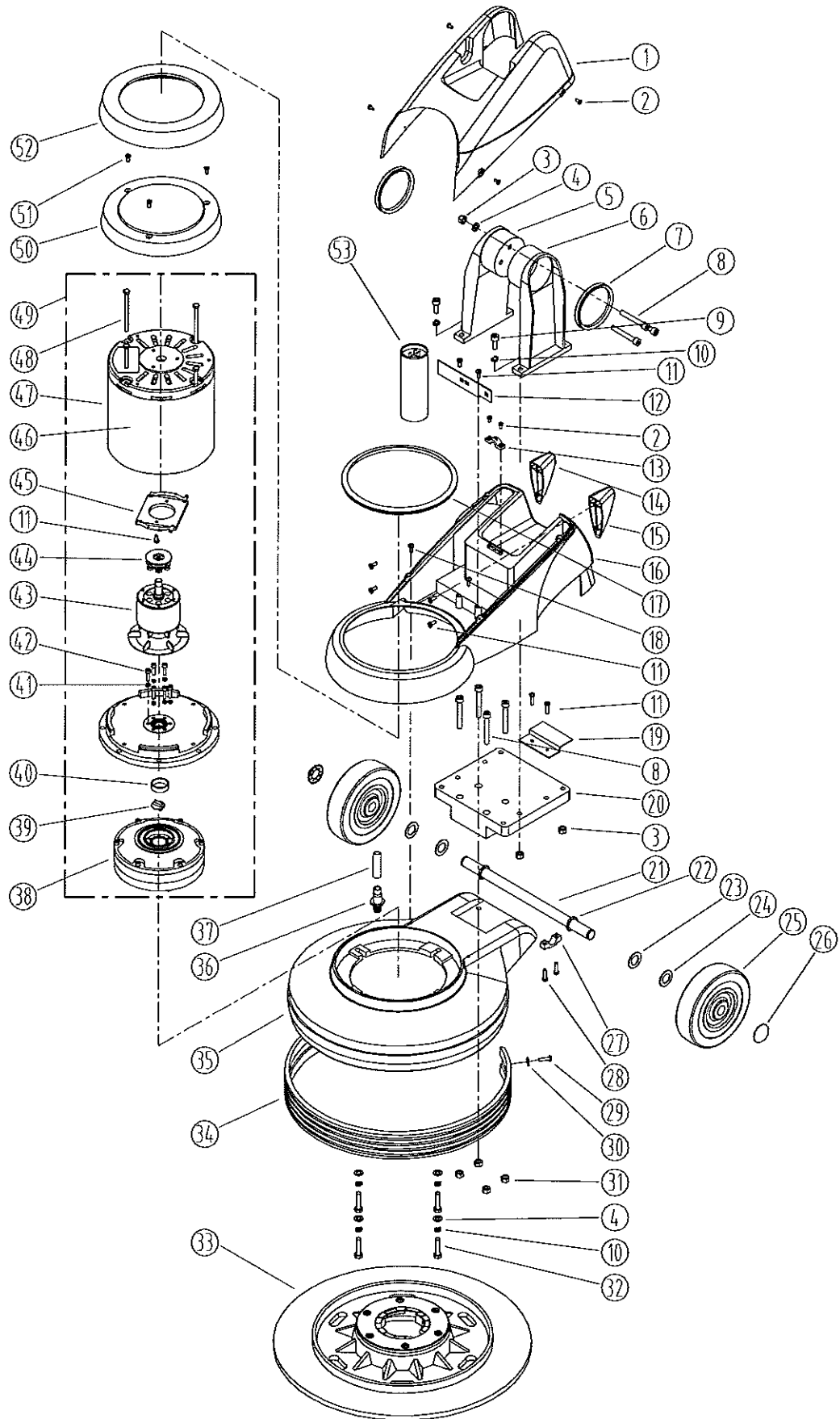
DIA NO	PART NUMBER	DESCRIPTION
1	VF47009	FRONT COVER, GEAR SEAT
2	VF47029	GEAR SEAT
3	VF40171	GEAR KIT (INCLUDES GEAR AND LEVELING INSERT)
4	GV40227	WASHER, NYLON
5	GV40228	"O" RING, GEAR SEAT
6	VF50120	GROMMET
7	VF47015	REAR COVER, GEAR SEAT
8	VF14080	SCREW, SELF-TAPPING, M4 x 25
9	VF14087	SCREW, SELF-TAPPING, M4 x 35
10	VF47046	SEAL, HOOK
11	VF47045	HOOK, CABLE
12	VF13616	SCREW, HEX, M10 x 55
13	GT13019	SCREW, M6 x 45
14	VF40171	GEAR KIT (INCLUDES GEAR AND LEVELING INSERT)
15	GT13013	NUT, M4
16	VF46616	LEVELING ROD
17	VF40121	SPRING, LEVELING
18	VF47033	RETAINER
19	VF47008	SEAL, TUBE
20	VF46615	TUBE
21	VA13474	SCREW, PH, M5 x 16
22	VA13476	SCREW, PH, M5 x 40
23	VF41187	SERIAL TAG (DR17125)
	VF41188	SERIAL TAG (DR17175)
	VF41189	SERIAL TAG (DR20125)
	VF41190	SERIAL TAG (DR20175)
24	VF45119	CORD, POWER SUPPLY, 14/3C
25	AS22009	STRAIN RELIEF, CORD
26	GT13035	SCREW, PH, M5 x 35
27	VF52018	REAR COVER, SWITCH HOUSING
28	VF40994	LABEL, READ MANUAL
29	GT13008	SCREW, PH, M5 x 20
30	VF13526	SCREW, HEX SOCKET, M4 x 30
31	GT13014	NUT, NYLON INSERT, M4
32	GT13017	WASHER, LARGE, PLAIN, M4 x M16
33	VF46610	LEVELING HANDLE, ROD
34	VF46606	TRANS-BAIL, SWITCH
35	VF46612	U-SHAPE BAIL, SWITCH
36	VF46607	LEVELING HANDLE, CENTER
37	VF46609	LEVELING HANDLE, RIGHT, SWITCH
38	VF46611	SPRING, TRANS-BALL, SWITCH
39	VF46605	LEVELING HANDLE, SWITCH, LEFT
40	VF46601	FRONT COVER, SWITCH HOUSING
41	VF47035A	"VIPER" LOGO
42	VF46603	SAFETY LOCK

DRAGON - LOW SPEEDS - ORIGINAL STYLE HANDLE ASSEMBLY
(DR17125 - all, DR17175 - up to #461, DR20125 - up to #554, DR20175 - up to #1049)

DIA NO	PART NUMBER	DESCRIPTION	
43	VF46614	SPRING, SAFETY LOCK	
44	VA13484	SCREW,ST, M4 x 12	
45	VF14212	SCREW, PH, M3 x 25	
46	VF13511	WASHER, LOCK, INTERNAL TOOTH	
47	VF44203	SWITCH ASSY, 20A, 250V	
48	VF46604	LEVELING HANDLE, SOLUTION	
49	VA13472	SCREW, PH, M4 x 8	
50	VF46620	BLOCK, HANDLE CABLE	
51	VF45124	JUMP WIRE	
52	VF99012	CIRCUIT BREAKER, 12AMPS (DR17175/20175)	
	VF99010C	CIRCUIT BREAKER, 17AMPS (DR17125/20125)	
53	VF13527	WASHER, EXTERNAL TOOTH, M4	
54	VF47032	CLAMP PLATE, SOLUTION TANK	
55	VV20150	SCREW, PH, SST, M5 x 12	
56	VF47034	SPACER, CLAMP PLATE	
57	VV20275	WASHER, PLAIN, M5	
58	VF13600	WASHER, PLAIN, M6	
59	VF13502	NUT, NYLON INSERT, M6	
60	VF45120	CABLE, HANDLE, 14/3C	
61	VF47031	SEE #78	
62	VF40142	NUT, BRASS, M14	
63	VF40132	BARB HOSE, TANK END	
64	VF40139	HOSE, SOLUTION	
65	VF41020	"O-RING	
66	VF40131	VALVE BODY	
67	VF40155	NUT, M5	
68	VF40134	SEAL, RUBBER	
69	VF40138	WASHER, PLAIN, BRASS, M5	
70	VF40144	NUT, BRASS, M5	
71	VF40135	SPRING	
72	VF40133	SCREW	
73	VF40148	LOWER PULLING ROD	
74	VF40137	UPPER PULLING ROD, BRASS	
75	VF40147	SEAL, TANK	
76	VF40156	SEAT, CHAIN	
77	VF41021	CHAIN	
78	MF-EZ-001	SOLUTION TANK ASSY	

	VF00046	NEW STYLE SWITCH HOUSING ASSEMBLY (COMPLETE HANDLE ASSEMBLY W/O POWER CORD)	
	VF00049	NEW STYLE SWITCH HOUSING KIT (UPPER HANDLE ASSY ONLY)	

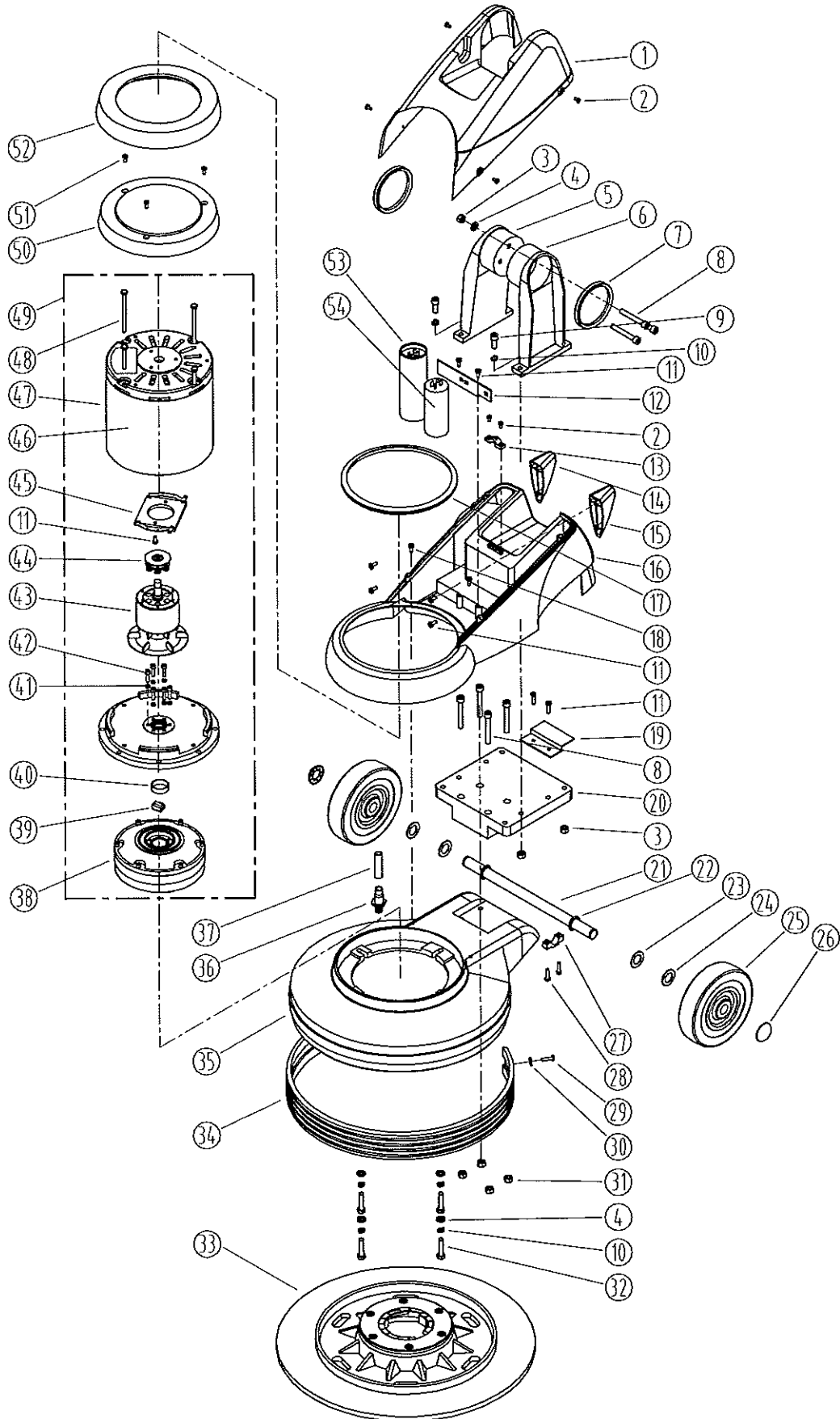
BASE GROUP FOR DR17125



BASE ASSEMBLY - DR17125

DIA NO	PART NUMBER	DESCRIPTION	NO REQ'D
1	VF47012	UPPER COVER, MOTOR	1
2	VA13477	SCREW, SELF-TAPPING, M4 x 16	6
3	VF13503	NUT, NYLON INSERT, M8	7
4	VF13524	WASHER, PLAIN, M8	7
5	VF47037	RIGHT ARM	1
6	VF47019	LEFT ARM	1
7	VF47026	SEAL, ARM	2
8	GT13016	SCREW, HEX SOCKET, M8 X 60	7
9	VF14088	SCREW, HEX SOCKET, M8 X 25	4
10	VF13519	WASHER, LOCK, M8	8
11	VV20509	SCREW, PH, SST, M5 x 10	8
12	VF47022	MOUNTING FRAME, CAPACITOR	1
13	VA21517	CLAMP BLOCK, CABLE	1
14	VF52114	PLASTIC STAND, RIGHT	1
15	VF52115	PLASTIC STAND, LEFT	1
16	VF47016	LOWER COVER, MOTOR	1
17	VF47018	SEAL, LOWER COVER	1
18	GT13001	SELF-TAPPING SCREW, M5 x 12	2
19	VF47056	PLATE	1
20	VF47017	PLATFORM	1
21	VF47025	AXLE	1
22	VF14004	RETAINING RING, EXTERNAL, M19	2
23	VF50123	WASHER, M19	2
24	VF47027	WAVE WASHER, M19	2
25	VF47055	WHEEL, 6.4"	2
26	VA96851	CAP, AXLE	2
27	VF47038	CLAMP BLOCK, AXLE	2
28	VV13621	SCREW, SELF-TAPPING, PH, M5 x 20	4
29	VA13474	SCREW, PH, M5 x 16	2
30	VF13474A	WASHER, PLAIN, M5 x M16	2
31	VF13513	NUT, M8	4
32	GT13018	SCREW, M8 x 30	4
33	MF-VF021	PAD HOLDER, 16-INCH	1
34	GV40223	BUMPER, 17-INCH	1
35	VF40101C	FRAME, 17-INCH	1
36	VF40152	BARB HOSE, FRAME	1
37	VF40139	HOSE, SOLUTION	1
38	VF999802B	GEAR BOX	1
39	VF99021	COUPLING	1
40	MT01102	SLEEVE	1
41	VV13601	WASHER, LOCK, M5	6
42	VV13636	SCREW, HEX SOCKET, M5 X 30	6
43	YCQ11200	ROTOR WITH FAN ASSY	1
44	YCQ10300A	CENTRIFUGAL SWITCH	1
45	YCQ10300B	STATIONARY SWITCH	1
46	VF41091	LABEL, MOTOR	1
47	VF999800	MOTOR ASSY, 1.25HP, 120V	1
48	YLQ17507	BOLT, M6 x 201	4
49		SEE #38 & #47	
50	VF44001	TOP COVER, MOTOR	1
51	VV20150	SCREW, HEX SOCKET, SST, M5 x 12	3
52	VF47023	BUMPER, TOP COVER	1
53	VF999805	CAPACITOR, STARTING, 400MFD / 110V	1

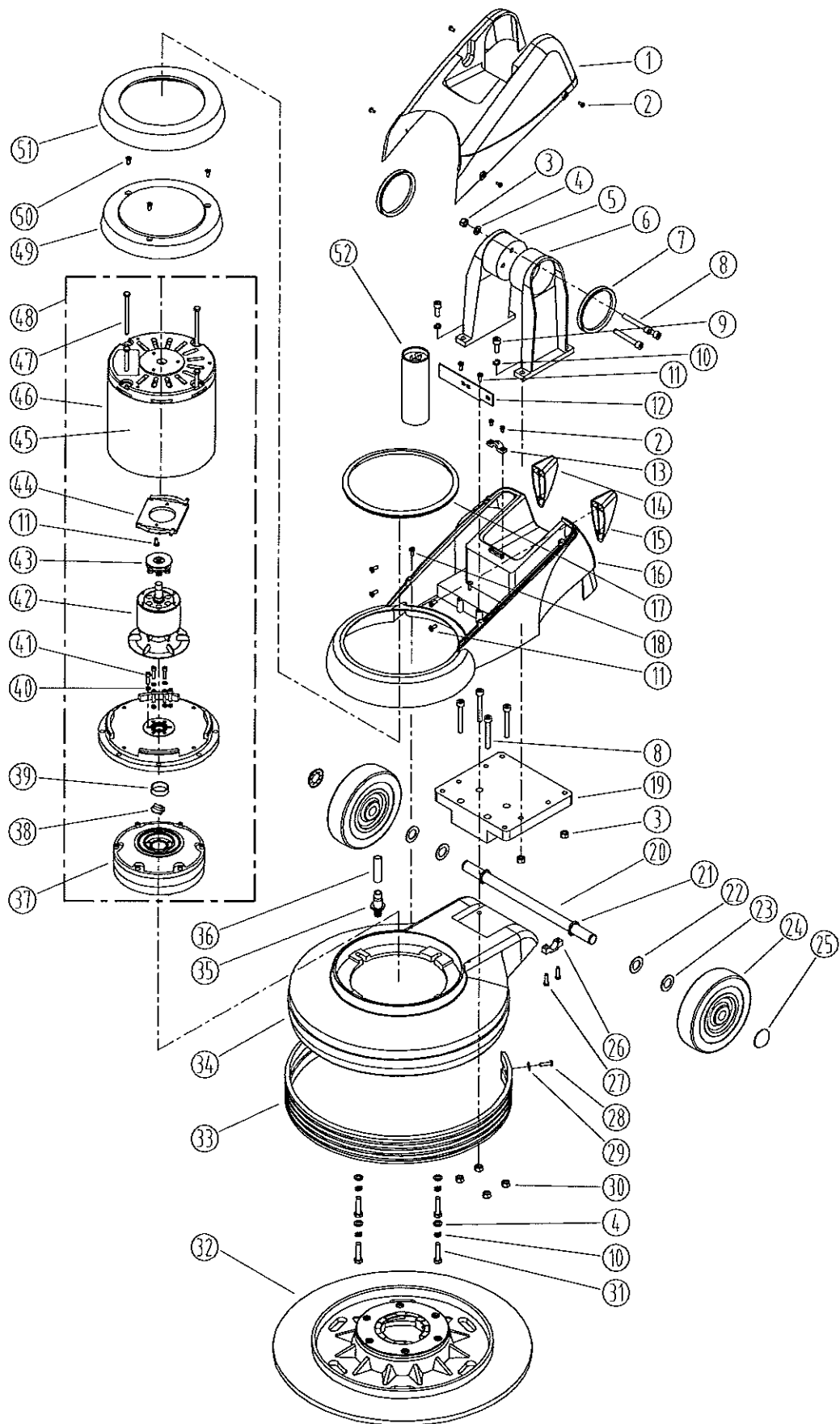
BASE GROUP FOR DR17175



BASE ASSEMBLY - DR17175

DIA NO	PART NUMBER	DESCRIPTION	NO REQ'D
1	VF47012	UPPER COVER, MOTOR	1
2	VA13477	SCREW, SELF-TAPPING, M4 x 16	6
3	VF13503	NUT, M8	7
4	VF13524	WASHER, PLAIN	7
5	VF47037	RIGHT ARM	1
6	VF47019	LEFT ARM	1
7	VF47026	SEAL, ARM	2
8	GT13016	SCREW, M8 x 60	7
9	VF14088	SCREW, HEX SOCKET, M8 x 25	4
10	VF13519	WASHER, LOCK, M8	8
11	VV20509	SCREW, M5 x 10	8
12	VF47022	MOUNTING FRAME, CAPACITOR	1
13	VA21517	CLAMP BLOCK	1
14	VF52114	PLASTIC STAND, RIGHT	1
15	VF52115	PLASTIC STAND, LEFT	1
16	VF47016	LOWER COVER, MOTOR	1
17	VF47018	SEAL, LOWER COVER	1
18	GT13001	SCREW, SELF-TAPPING, M5 x 12	2
19	VF47056	PLATE, 17-INCH	1
20	VF47017	PLATFORM	1
21	VF47025	AXLE	1
22	VF14004	RETAINING RING, EXTERNAL, M19	2
23	VF50123	WASHER, M19	2
24	VF47027	WAVE WASHER, M19	2
25	VF47055	WHEEL, 6.4-INCH	2
26	VA96851	CAP, AXEL	2
27	VF47038	CLAMP BLOCK, AXLE	2
28	VV13621	SCREW, SELF-TAPPING, M5 x 20	4
29	VA13474	SCREW, M5 x 16	2
30	VF13474A	WASHER, PLAIN	2
31	VF13513	NUT, M8	4
32	GT13018	SCREW, M8 x 30	4
33	MF-VF021	PAD HOLDER, 16-INCH	1
34	GV40223	BUMPER, 17-INCH	1
35	VF40101C	FRAME, 17-INCH	1
36	VF40152	HOSE BARB	1
37	VF40139	HOSE, SOLUTION	1
38	VF999802B	GEAR BOX	1
39	VF99021	COUPLING	1
40	MT01102	SLEEVE	1
41	VV13601	WASHER, LOCK, M5	6
42	VV13636	SCREW, HEX SOCKET, M5 X 30	6
43	YCQ11200	ROTOR WITH FAN ASSY	1
44	YCQ10300A	CENTRIFUGAL SWITCH	1
45	YCQ10300B	STATIONARY SWITCH	1
46	VF41091	LABEL, MOTOR	1
47	VF999785	MOTOR, 120V, 1.75HP	1
48	YLQ17507	BOLT, M6 x 201	4
49		SEE #38 & #47	
50	VF44001	TOP COVER, MOTOR	1
51	VV20150	SCREW, HEX SOCKET, SST, M5 x 12	3
52	VF47023	BUMPER, TOP COVER	1
53	VF999805	CAPACITOR, STARTING, 400MFD / 110V	1
54	VF999854	CAPACITOR, RUNNING, 50UF / 370V	1

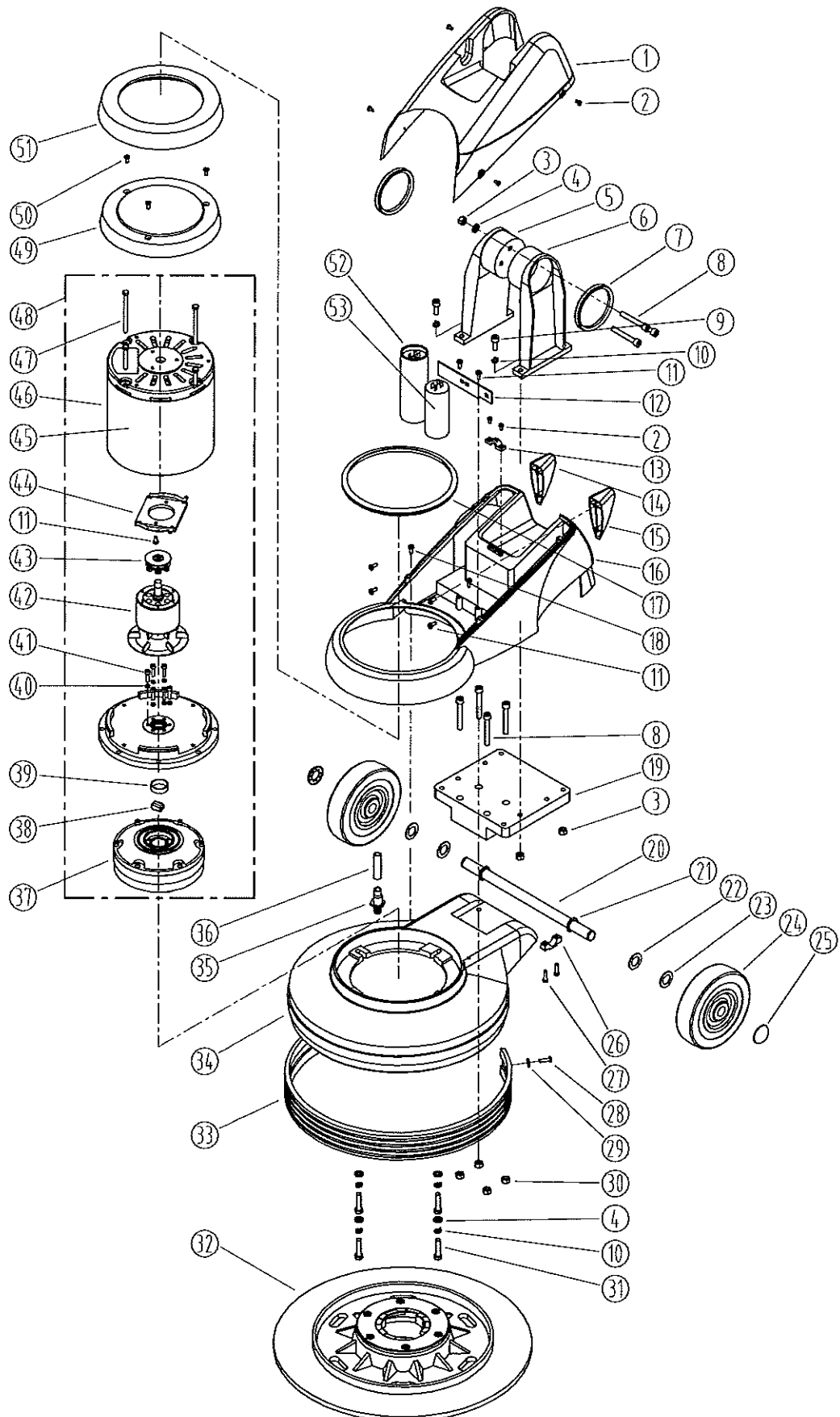
BASE GROUP FOR DR20125



BASE ASSEMBLY - DR20125

DIA NO	PART NUMBER	DESCRIPTION	NO REQ'D
1	VF47012	UPPER COVER, MOTOR	1
2	VA13477	SCREW, SELF-TAPPING, M4 x 16	6
3	VF13503	NUT, M8, NYLON INSERT	7
4	VF13524	WASHER, PLAIN, M8	7
5	VF47037	RIGHT ARM	1
6	VF47019	LEFT ARM	1
7	VF47026	SEAL, ARM	2
8	GT13016	SCREW, HEX SOCKET, M8 x 60	7
9	VF14088	SCREW, HEX SOCKET, M8 x 25	4
10	VF13519	WASHER, LOCK, M8	8
11	VV20509	SCREW, PH, SST, M5 x 10	8
12	VF47022	MOUNTING FRAME, CAPACITOR	1
13	VA21517	CLAMP BLOCK, CABLE	1
14	VF52114	PLASTIC STAND, RIGHT	1
15	VF52115	PLASTIC STAND, LEFT	1
16	VF47016	LOWER COVER, MOTOR	1
17	VF47018	SEAL, LOWER COVER	1
18	GT13001	SCREW, SELF-TAPPING, M5 x 12	2
19	VF47017	PLATFORM	1
20	VF47025	AXLE	1
21	VF14004	RETAINING RING, EXTERNAL, M19	2
22	VF50123	WASHER, M19	2
23	VF47027	WAVE WASHER, M19	2
24	VF47055	WHEEL, 6.4-INCH	2
25	VA96851	CAP, AXLE	2
26	VF47038	CLAMP BLOCK, AXLE	2
27	VV13621	SCREW, PH, SELF-TAPPING, M5 x 20	4
28	VA13474	SCREW, PH, M5 x 16	2
29	VF13474A	WASHER, PLAIN, M5 x M16	2
30	VF13513	NUT, M8	4
31	GT13018	SCREW, M8 x 30	4
32	MF-VF022	PAD HOLDER, 19-INCH	1
33	GV40233A	BUMPER, 20-INCH	1
34	VF40100C	FRAME, 20-INCH	1
35	VF40152	HOSE BARB, FRAME	1
36	VF40139	HOSE, SOLUTION	1
37	VF999802B	GEAR BOX	1
38	VF99021	COUPLER	1
39	MT01102	SLEEVE	1
40	VV13601	WASHER, LOCK, M5	6
41	VV13636	SCREW, HEX SOCKET, M5 X 30	6
42	YCQ11200	ROTOR WITH FAN ASSY	1
43	YCQ10300A	CENTRIFUGAL SWITCH	1
44	YCQ10300B	STATIONARY SWITCH	1
45	VF41091	LABEL, MOTOR	1
46	VF999800	MOTOR ASSY, 1.25HP, 120V	1
47	YLQ17507	BOLT, M6 x 201	4
48		SEE #37 & #46	
49	VF44001	TOP COVER, MOTOR	1
50	VV20150	SCREW, HEX SOCKET, SST, M5 x 12	3
51	VF47023	BUMPER, TOP COVER	1
52	VF999805	CAPACITOR, STARTING, 400MFD / 110V	1

BASE GROUP FOR DR20175



BASE ASSEMBLY - DR20175

DIA NO	PART NUMBER	DESCRIPTION	NO REQ'D
1	VF47012	UPPER COVER, MOTOR	1
2	VA13477	SCREW, SELF-TAPPING, M4 x 16	6
3	VF13503	NUT, M8	7
4	VF13524	WASHER, PLAIN	7
5	VF47037	RIGHT ARM	1
6	VF47019	LEFT ARM	1
7	VF47026	SEAL, ARM	2
8	GT13016	SCREW, M8 x 60	7
9	VF14088	SCREW, HEX SOCKET, M8 x 25	4
10	VF13519	WASHER, LOCK, M8	8
11	VV20509	SCREW, M5 x 10	8
12	VF47022	MOUNTING FRAME, CAPACITOR	1
13	VA21517	CLAMP BLOCK	1
14	VF52114	PLASTIC STAND, RIGHT	1
15	VF52115	PLASTIC STAND, LEFT	1
16	VF47016	LOWER COVER, MOTOR	1
17	VF47018	SEAL, LOWER COVER	1
18	GT13001	SCREW, SELF-TAPPING, M5 x 12	2
19	VF47017	PLATFORM	1
20	VF47025	AXLE	1
21	VF14004	RETAINING RING, EXTERNAL, M19	2
22	VF50123	WASHER, M19	2
23	VF47027	WAVE WASHER, M19	2
24	VF47055	WHEEL, 6.4-INCH	2
25	VA96851	CAP, AXLE	2
26	VF47038	CLAMP BLOCK, AXLE	2
27	VV13621	SCREW, SELF-TAPPING, M5 x 20	4
28	VA13474	SCREW, M5 x 16	2
29	VF13474A	WASHER, PLAIN	2
30	VF13513	NUT, M8	4
31	GT13018	SCREW, M8 x 30	4
32	MF-VF022	PAD HOLDER, 19-INCH	1
33	GV40233A	BUMPER, 20-INCH	1
34	VF40100C	FRAME, 20-INCH	1
35	VF40152	HOSE BARB	1
36	VF40139	HOSE, SOLUTION	1
37	VF999802B	GEAR BOX	1
38	VF99021	COUPLING	1
39	MT01102	SLEEVE	1
40	VV13601	WASHER, LOCK, M5	6
41	VV13636	SCREW, HEX SOCKET, M5 X 30	6
42	YCQ11200	ROTOR WITH FAN ASSY	1
43	YCQ10300A	CENTRIFUGAL SWITCH	1
44	YCQ10300B	STATIONARY SWITCH	1
45	VF41091	LABEL, MOTOR	1
46	VF999785	MOTOR, 120V 1.75HP	1
47	YLQ17507	BOLT, M6 x 201	4
48		SEE #37 & #46	
49	VF44001	TOP COVER, MOTOR	1
50	VV20150	SCREW, HEX SOCKET, M5 x 12	3
51	VF47023	BUMPER, TOP COVER	1
52	VF999805	CAPACITOR, STARTING, 400MFD / 110V	1
53	VF999854	CAPACITOR, RUNNING, 50UF / 370V	1