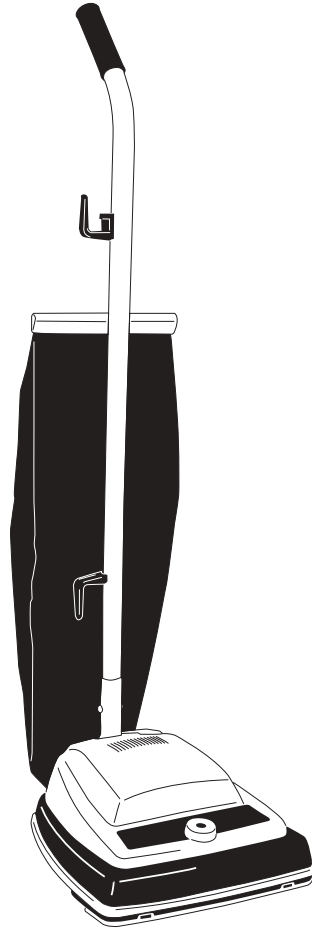


SelectVac™ 11



PARTS LIST

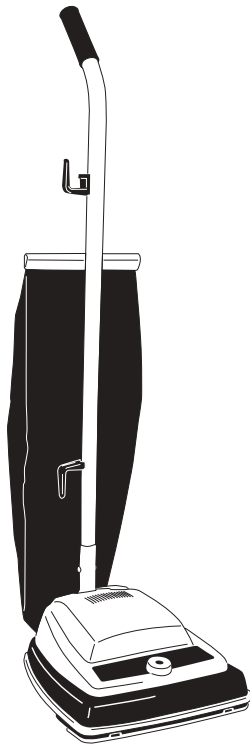
Kent / Euroclean MODEL 56648090



KENT
Euroclean

Working For A Cleaner World

8/99 revised 3/02 FORM NO. 56042385

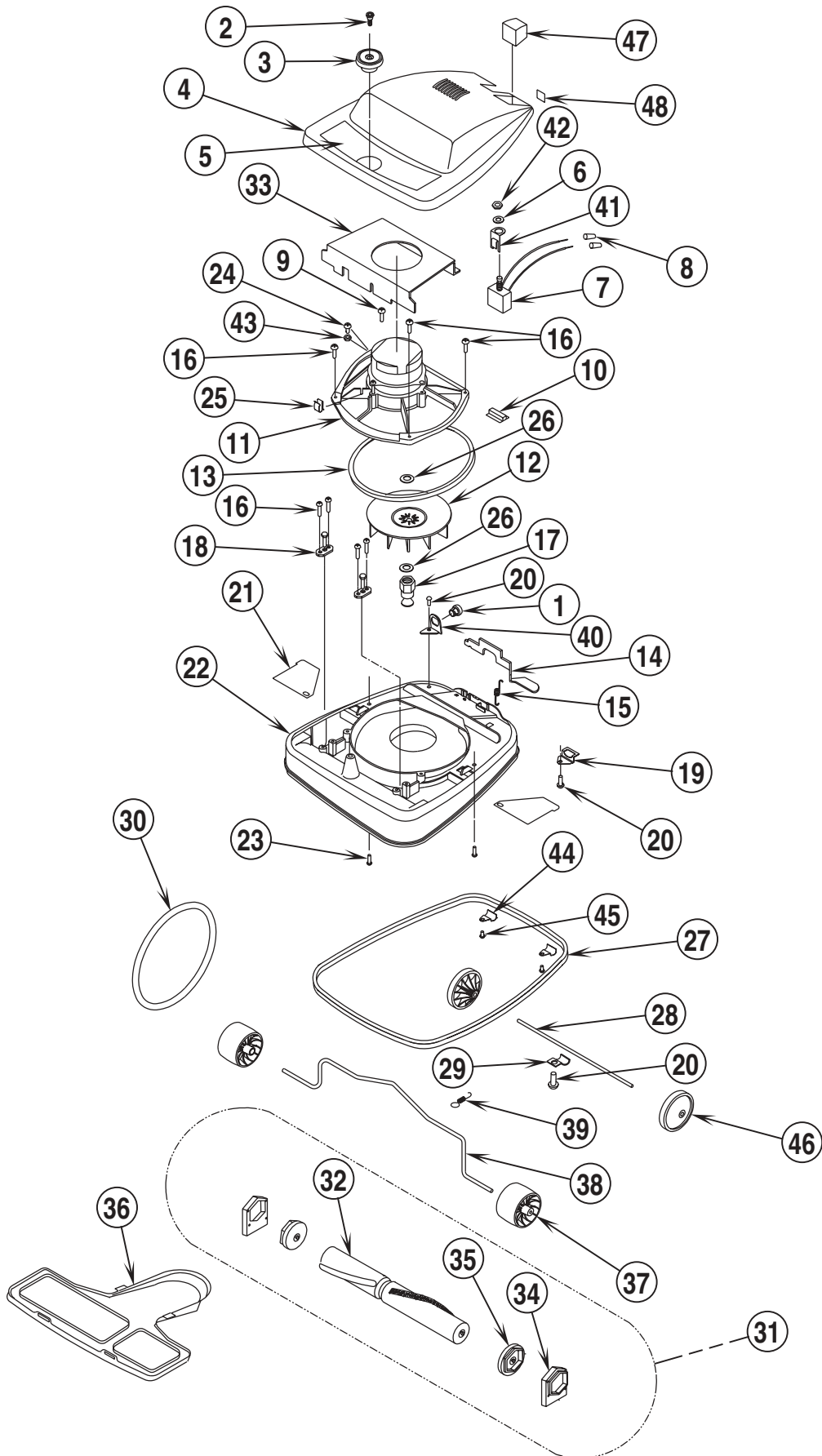


DESCRIPTION	PAGE
BASE ASSEMBLY	2-3
WIRING DIAGRAM	3
HANDLE ASSEMBLY	4-5

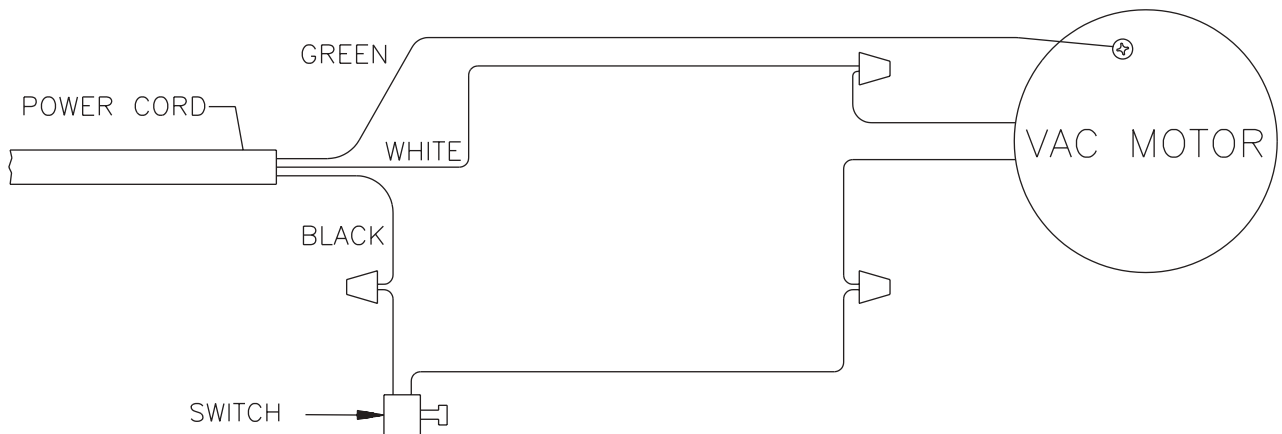
WHEN ORDERING PARTS

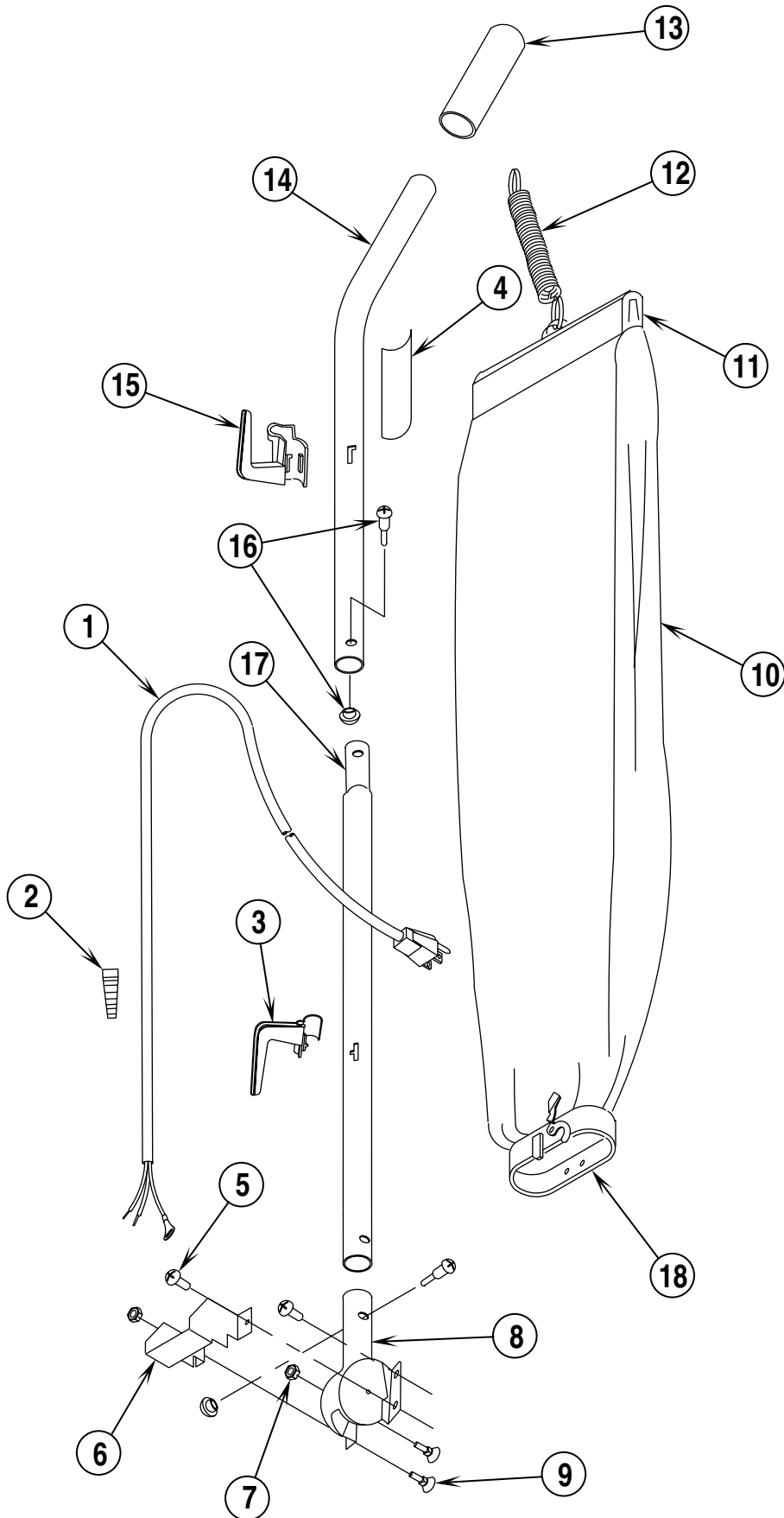
- * Use the 8 digit numbers from the "Ref. No." columns in this parts list.
- * Specify the model and serial number of the machine.
- * Use the space below to record the model and serial number for future reference.

Model _____ Serial No. _____



Item	Ref. No.	Qty	Description	Item	Ref. No.	Qty	Description
1	56630768	1	Bshg, Strn Rlf—Heyco Sr-6n3-4	28	56630755	1	Rd, Stl—.247dia, 8.19l
2	56009385	1	Scr Shldr Plasform 12-10 x .172	29	56630757	1	Clip
3	56630518	1	Knob, Plastic—Uprt, 4 Pos. Blk	30	56630563	1	Belt-Disturbulator Drive
4	56057982	1	Hood, Motor—Lexan, Ghost Gray	31	56630681	1	Asm, Disturbulator
5	56016459	1	Decal, SelectVac	32	56630512	1	Asm, Brush Roll—Upright
6	56009383	1	Wshr Int Shprf .509 x .625 x .020	33	56630524	1	Air Separator
7	56630332	1	Switch, Push—Gc679-A	34	56630488	2	Cap, Cover—Various Uprights
8	56350141	3	Nut, Wire—Ideal 71b, Gry	35	56630694	2	Asm, Cap & Bearing—Uprt
9	56003322	1	Scr Tpg F Pan Hd 10-10x.625l	36	56630478	1	Asm, Plate—Bottom
10	56630403	1	Brush, Carbon—Service Only	37	56630592	2	Wheel—2.25dia, .322bore, 1.62hb
11	56630266	1	Mtr, Vac—Uprt, 115/60, 5.0a, 110	38	56630597	1	Axle-Front (C2035g)
12	56630273	1	Fan—Upright, Lexan	39	56630620	1	Spring, Ext .275d 1.50l .024wd
13	56630562	1	Gasket-Motor Seal	40	56630697	1	Bracket, Bushing
14	56630395	1	Pedal, Foot—Uprt, White	41	56630692	1	Clip, Switch
15	56630732	1	Spring, Ext .257d 1.25l .035wd	42	56630917	1	Nut-Switch Upright
16	56003504	7	Scr Tpg F Pan Hd 10-10x.812 L	43	56630743	1	Nut, Keps— 8-32, Zn Plt
17	56630665	1	Pulley—Motor Drive, Service	44	56630795	2	Clip-Furniture Guard
18	56630791	2	Asm, Clamp & Screw	45	56003544	2	Scr Tpg F Pan Hd 8-10x.312l
19	56630668	1	Retainer Brkt—Bag Clip	46	56630591	2	Wheel—2.50dia, .250bore, 1.00hb
20	56009191	3	Scr Tpg F Pan Hd 10-10x.500l	47	56630516	1	Button, Switch, Blk—Uprt
21	56630606	2	Cover-Wheel	48	56630955	1	Label, Instr—Wrrn, Moving Parts
22	56648058	1	Asm, Base				
23	56002738	2	Scr Tpg F Pan Hd 8-10x.562l	**	56052964	1	Magnet, Permanent
24	56003093	1	Scr Tpg F Pan Hd 8-Btx.437l	**	56630325	1	Kit, Upright Attachment
25	56630910	2	Clip-Wire				
26	56630799	2	Wshr Flt .312id.625od.094t Fbr				** = Not Included (optional)
27	56057981	1	Guard, Furniture—37.50l, Clear				





99-8	HANDLE ASSEMBLY		
00-3	SelectVac™ 11		5

Item	Ref. No.	Qty	Description
1	56637672	1	Cord,Power— 18-3,Sjt,Gray,32'
2	56630634	1	Spring,Comp .625d 2.12l .042wd
3	56630298	1	Hook,Cord— Uprt,Lower,Black
4	56630714	1	Label,Warn— Uprt,Eng/French
5	56003322	2	Scr Tpg F Pan Hd 10-10x.625l
6	56630623	1	Shield-Handle Socket
7	56002768	2	Nut,Hex Lock— 10-24,Nyloc
8	56630696	1	Asm,Handle Socket
9	56003543	2	Bolt,Carriage— 10-24 X .625l
10	56630387	1	Asm,Bag— Top Fill,Gray,Tyt,Hdc
11	56630565	1	Clip—Bag,Chrome Over Nkl Plt
12	56630761	1	Spring,Ext .531d 3.89l .054wd
13	56630575	1	Grip,Handle—Black
14	56630267	1	Upper Tube— Upright
15	56630295	1	Hook,Cord— Uprt,Upper,Black
16	56630919	2	Asm,Screw— Handle
17	56630268	1	Handle Tube— Upright
18	56630874	1	Bag,Adapter— Service Item Only
**	56630427	1	Zipper Bag
**	56703533	A/R	Disposable Paper Bag (pkg of 3)
**	56703549	A/R	Disposable Paper Bag (case of 36)
**	56039515	1	Kit, Dirt Cup

** = Not Included (optional)



Kent/Euroclean
14600 21st Avenue North
Plymouth, MN, 55447-3408
www.eurocleanusa.com
Phone: 800-334-1083
Fax: 866-261-4779