

# Foamatic™

---



## **PARTS LIST**

### **Advance MODEL 56254200**

**This parts list is for machines after serial number 323583**



**Nilfisk  
Advance**

*setting standards*

revised 3/01 Form Number 56042193

# TABLE OF CONTENTS

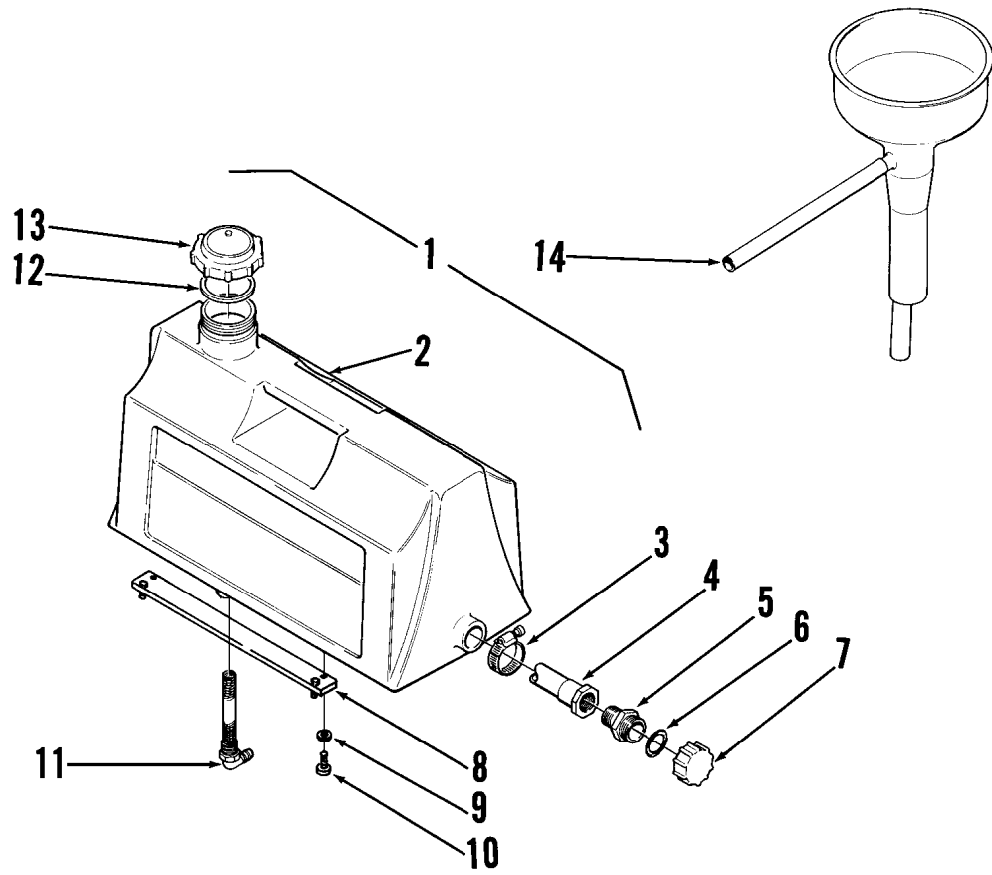
<u>DESCRIPTION</u>	<u>PAGE</u>
Tank Assembly .....	1-2
Foamatron Power Head .....	3-4
115V Compressor Assembly .....	5-6
Compressor .....	7-8

### WHEN ORDERING PARTS

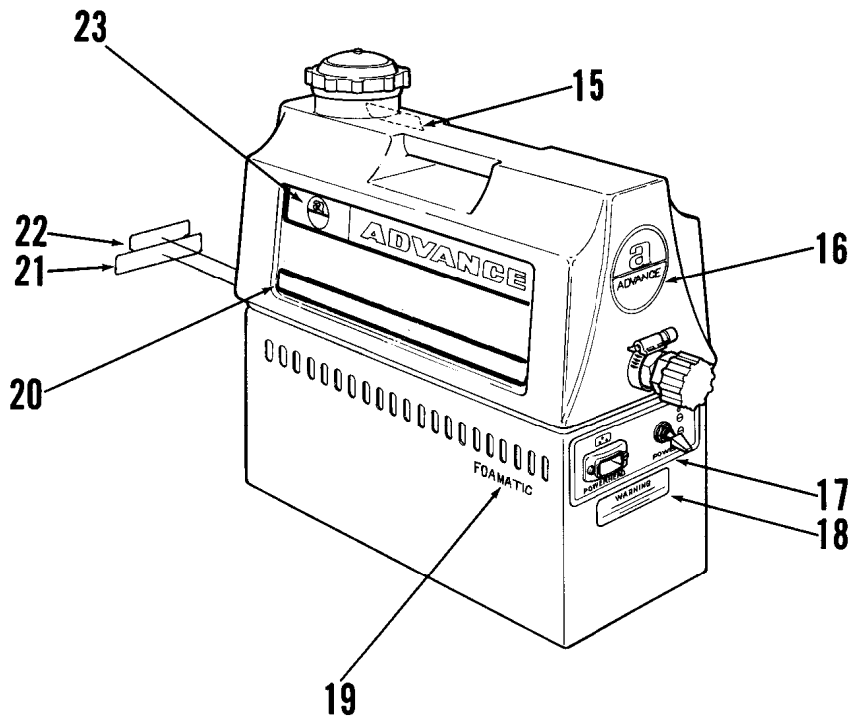
- \* Use the 8 digit numbers from the "Ref. No." columns in this parts list.
- \* Specify the model and serial number of the machine.
- \* Use the space below to record the model and serial number for future reference.

Model \_\_\_\_\_ Serial No. \_\_\_\_\_

### TANK ASSEMBLY

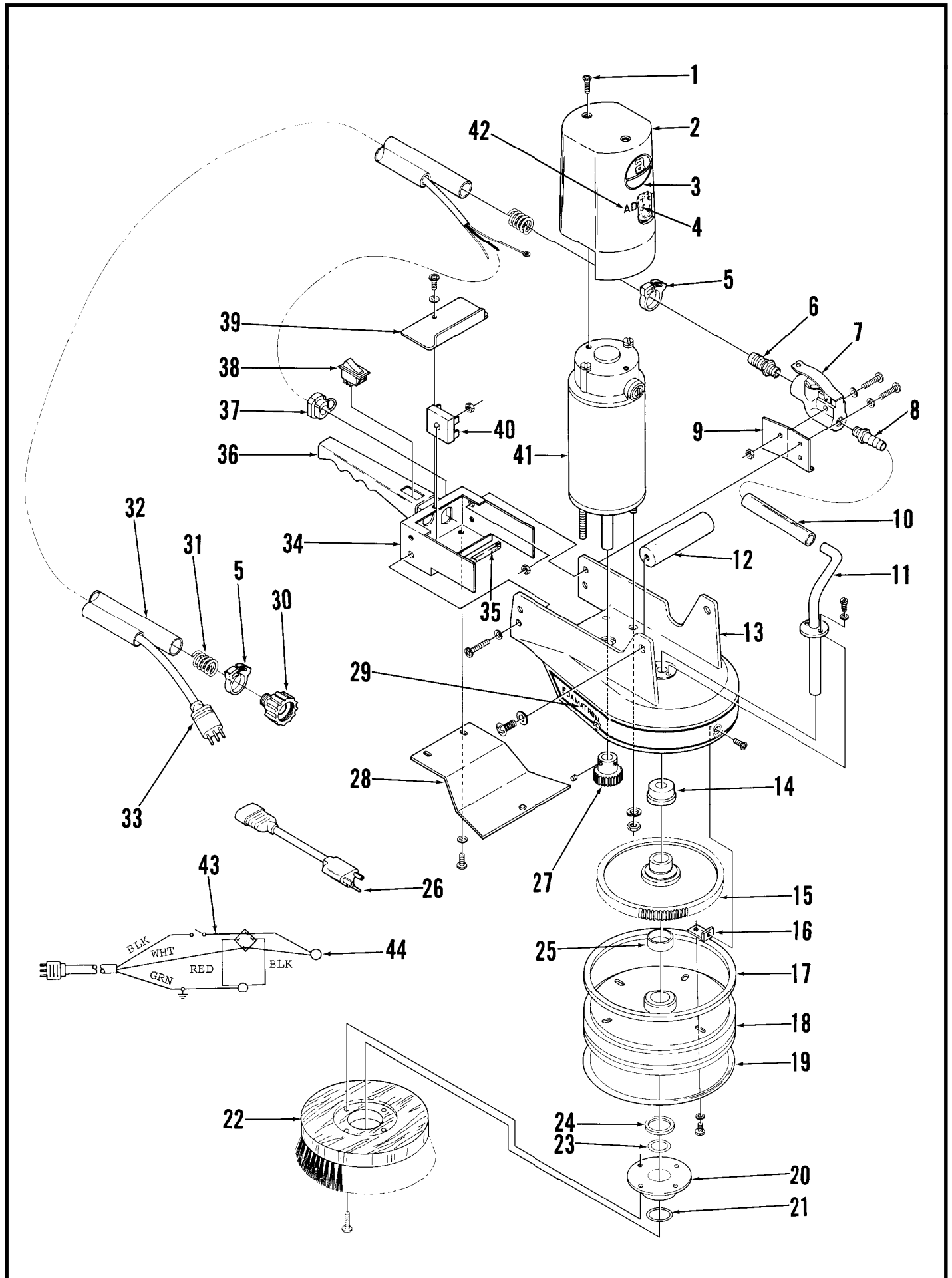


### DECAL PLACEMENT



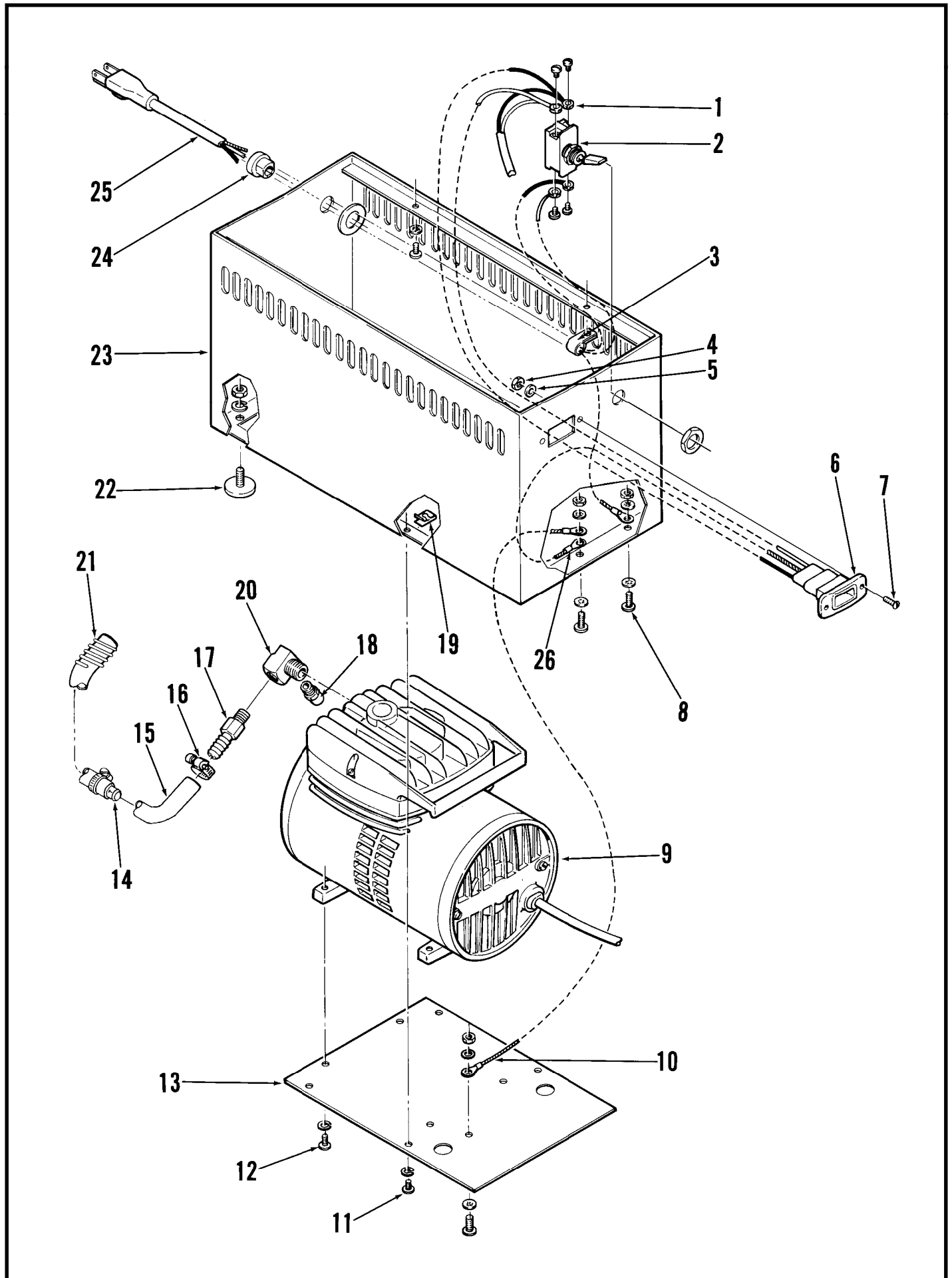
# TANK ASSEMBLY

Item	Part No.	Qty	Description
1	56254211	1	Tank Assembly
2	56254213	1	Detergent Tank
3	56244969	1	Hose Clamp
4	56254032	1	Tube Assembly
5	56244980	1	Adapter
6	56740154	1	Rubber Washer
7	56255076	1	Cap
8	56254027	2	Adapter Plate
9		4	Shakeproof Washer #10
10		4	Pan Hd Screw #10-32 X 3/8
11	56244982	1	Bubler Fitting
12	56244979	1	Gasket
13	56244866	1	Cap
14	56220426	1	Funnel
15	56015121	1	Decal, Instruction
16	56017784	2	Decal, Advance
17	56017502	1	Decal, Power
18	56015379	1	Decal, Warning
19	56014536	2	Decal, Foamatic
20	56014533	2	Decal, Stripe
21	56015197	1	Decal, Warning
22	56014538	1	Nameplate, Advance
23	56014531	2	Decal, Advance



## FOAMATRON™ POWER HEAD ASSEMBLY

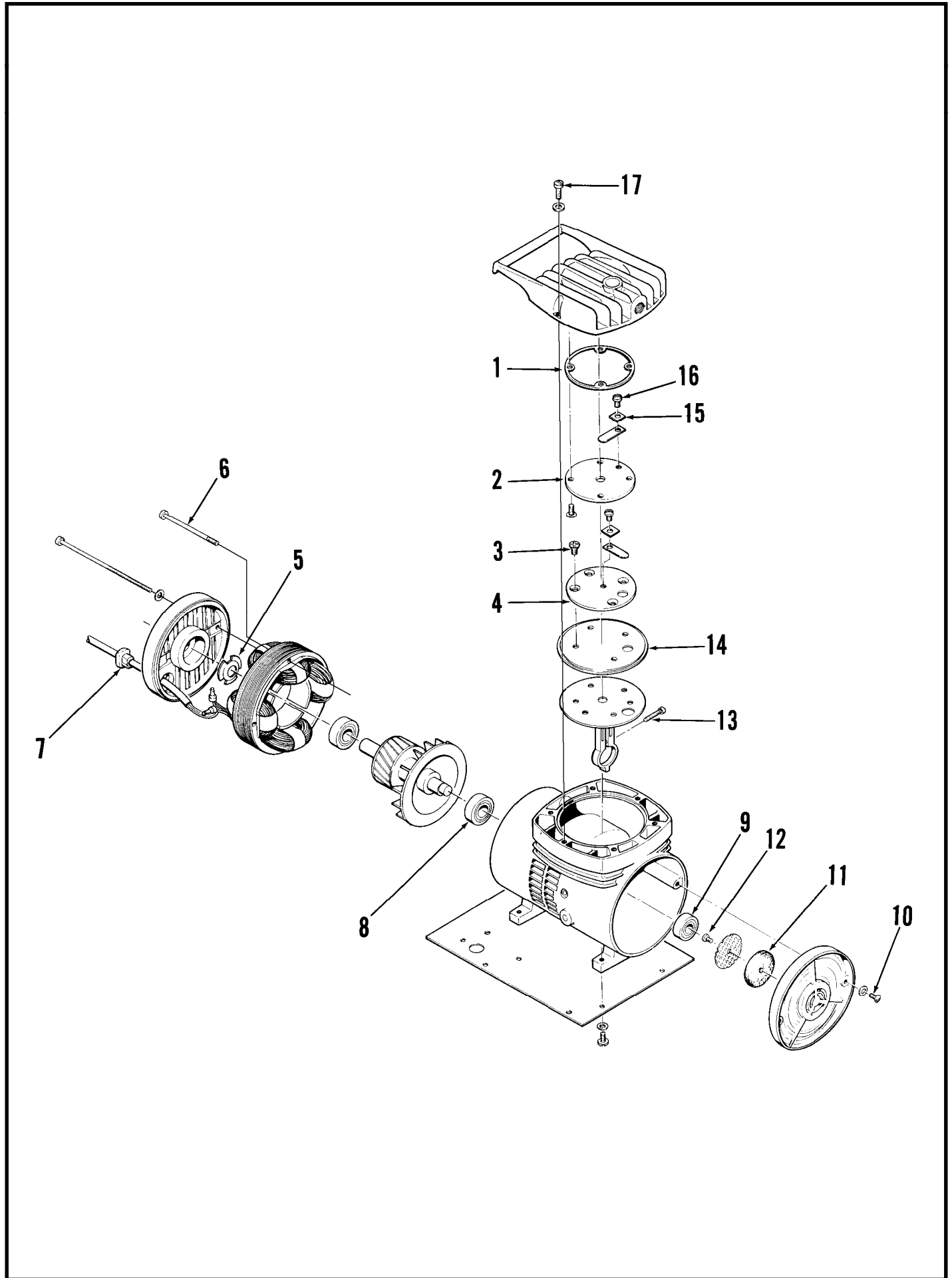
Item	Part No.	Qty	Description
	56254216	1	Foamatron Assembly (115V)
1	56900751	2	Screw, #10-32 X 1.00 Flat Hd BLK
2	56254255	1	Housing
3	56017784	1	Decal, Logo
4	56254258	1	Sound Reduction Foam
5	56254142	1	Hose Clamp
6	56900750	1	Barb
7	56254256	1	Valve
8	56155640	1	Barb
9	56254253	1	Bracket Weldment
10	56257534	1	Tube
11	56254072	1	Tube Weldment
12	56254046	1	Handle
13	56254217	1	Casting
14	56250414	1	Bushing
15	56254061	1	Gear Assembly
16	56254050	3	Angle
17	56325324	16"	Gasket
18	56254064	1	Shroud Weldment
19	56254065	1	Bumper
20	56251105	1	Adapter Brush
21	56251220	1	Quad Ring Seal
22	56505532	1	Brush
23	56253165	1	O-Ring
24	56250716	1	Seal
25	56250694	1	Bushing
26	56254122	1	Cord Adapter
27	56254257	1	Spur Gear
28	56254254	1	Cover Weldment
29	56014537	1	Decal, Foamatron
30	56237045	1	Barb
31	56257856	2	Spring
32	56237041	1	Tube
33	56254053	1	Cord Set
34	56254261	1	Handle Weldment
35	56385448	4"	Gasket
36	56254263	1	Grip
37	56382818	1	Strain Relief
38	56254262	1	Switch
39	56254260	1	Handle Cover
40	56180162	1	Rectifier
41	56254251	1	Motor Assembly
	56329651	1	Carbon Brush Cap
	56329655	1	Carbon Brush Set
42	56014520	1	Decal, Advance
43	56254264	1	Wire Assembly
44	56387554	1	Varistor Assembly



## 115V COMPRESSOR ASSEMBLY

Item	Part No.	Qty	Description
1	56311229	4	Terminal Ring, #6
2	56207071	1	Toggle Switch
3	56300152	2	Cord Clamp
4		2	Hex Nut #6-32
5		2	Lock Washer #6
6	56245067	1	Receptacle 15 a
7		2	Pan Hd Screw #6-32 X 3/8
8		3	Pan Hd Screw #10-24 X 1/2
9	56217867	1	Compressor 115/60
10	56254088	1	Wire Assembly
11		4	Pan Hd Screw #8-32 X 3/8
12		4	Pan Hd Screw #10-24 X 3/8
13	56255866	1	Compressor Shield
14	56228108	1	Check Valve TSB 519, G-10
15	56244986	1	PVC Tube
16	56219932	3	Hose Clamp
17	56373456	1	Barb
18	56257990	1	Relief Valve
19	56255874	4	Spring Nut #8-32
20	56219798	1	Elbow
21	56373686	1	Spring
22	56255884	4	Bumper
23	56254215	1	Weldment Housing
24	56163015	1	Strain Relief
25	56251550	1	Cord Set
26	56325329	2	Terminal Ring #10





# COMPRESSOR

Item	Part No.	Qty	Description
	56217867	1	Compressor Assembly, 115V
1	56220953	1	Gasket
2	56220930	1	Plate, Exhaust Valve
3		8	Screw, Flat Philip Hd. 8-32 X 3/8
4	56220958	1	Plate, Intake Valve
5	56220533	1	Load Spring
6	56220522	2	Screw
7	56163015	1	Strain Relief
8	56220529	1	Bearing, Ball Housing
9	56220528	1	Bearing, Connecting Rod
10		2	Screw RD Hd 10-24 X 3/4
11	56220513	1	Filter
12		1	Pan Hd Screw Self Tapping 8-32 X 7/32
13		1	Socket Cap Screw 10-24 X 3/4
14	56220950	1	Diaphragm
15	56220963	2	Valve Keeper Strip
16		2	Screw, RD Hd 6-32 X 1/8
17		6	Screw, Fillister Hd 10-24 X 1/2



Nilfisk-Advance, Inc.  
14600 21st Avenue North  
Plymouth, MN, 55447-3408  
[www.nilfisk-advance.com](http://www.nilfisk-advance.com)  
Phone: 800-989-2235  
Fax: 800-989-6566  
©2001 Nilfisk-Advance, Inc.,  
Plymouth, MN 55447-3408  
Printed in the U.S.A.