

Fullback™

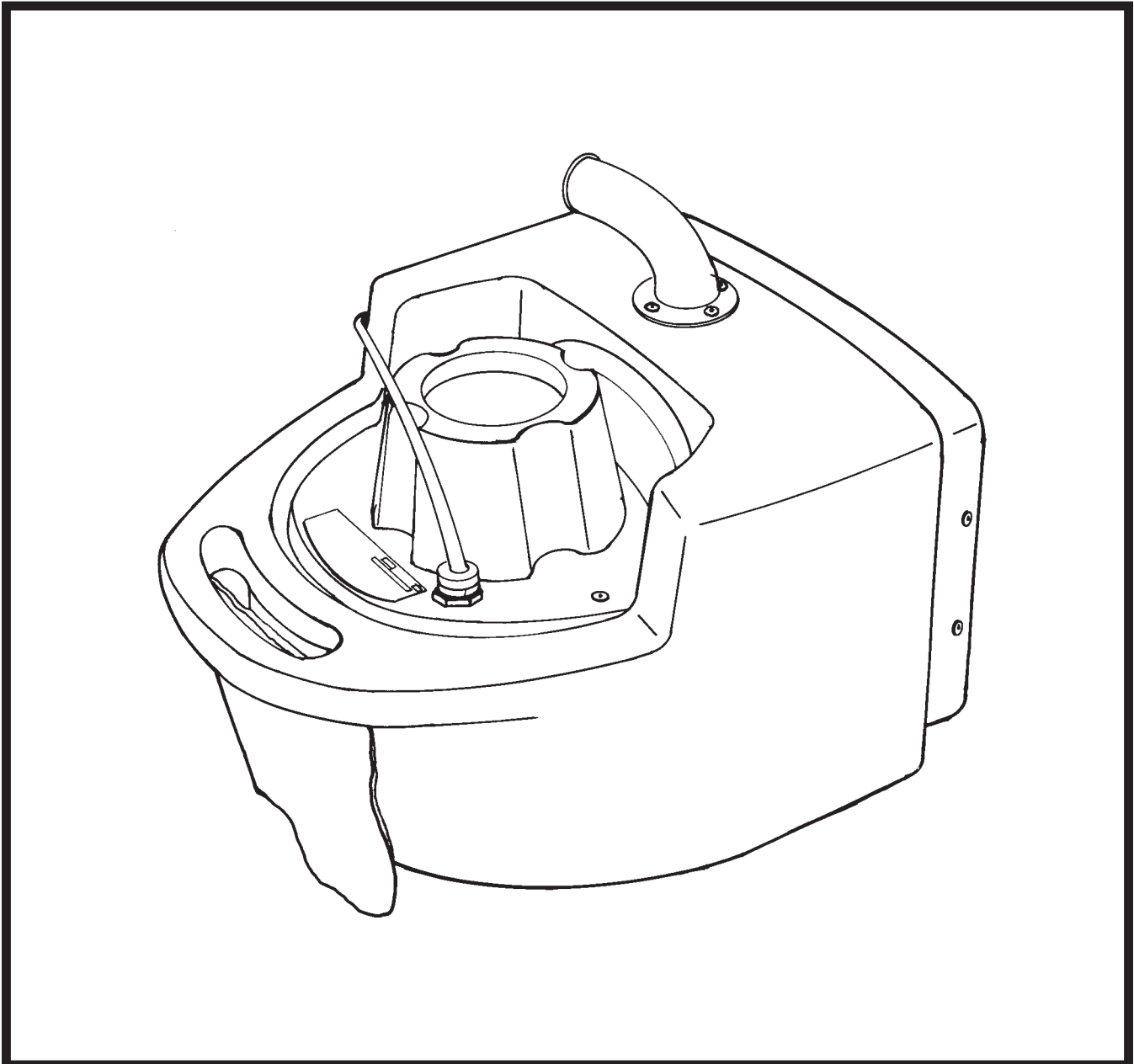
**Model:
MC831800
MC831910**

OPERATION

SERVICE

PARTS

CARE



Revised 6/02

Minuteman®

FOR COMMERCIAL USE ONLY

IMPORTANT SAFETY INSTRUCTIONS

When using an electrical appliance, basic precautions should always be followed, including the following:

READ ALL INSTRUCTIONS BEFORE USING

WARNING - To reduce the risk of fire, electric shock, or injury:

Do not leave appliance when plugged in. Unplug from outlet when not in use and before servicing.

WARNING

To reduce the risk of electrical shock - Do not expose to rain. Store indoors.

- Do not allow to be used as a toy. Close attention is necessary when used by or near children.
- Use only as described in this manual. Use only manufacturer's recommended attachments.
- Do not use with damaged cord or plug. If appliance is not working as it should, has been dropped, damaged, left outdoors, or dropped into water, return it to a service center.
- Do not pull or carry by cord, use cord as a handle, close a door on cord, or pull cord around sharp edges or corners. Do not run appliance over cord. Keep cord away from heated surfaces.
- Do not unplug by pulling on cord. To unplug, grasp the plug, not the cord.
- Do not handle plug or appliance with wet hands.
- Do not put any object into openings. Do not use with any opening blocked, keep free of dust, lint, hair, and anything that may reduce airflow.
- Keep hair, loose clothing, fingers, and all parts of body away from openings and moving parts.
- Do not pick up anything that is burning or smoking, such as cigarettes, matches or hot ashes.
- Do not use without dust bag and/or filters in place.
- Turn off all controls before unplugging.
- Use extra care when cleaning on stairs.
- Do not use to pick up flammable or combustible liquids such as gasoline or use in areas where they may be present.
- Connect to a properly grounded outlet only. See grounding instructions.

SAVE THESE INSTRUCTIONS

INSPECTION

Carefully unpack and inspect your machine for shipping damage. Each unit is tested and thoroughly inspected before shipment, and any damage is the responsibility of the delivery carrier who should be notified immediately. Read all instructions carefully before operating.

WARNING

To avoid electric shock, use indoors only. Electrical motors can cause explosions when operating near explosive materials or vapors. Do not operate this machine near flammable materials such as solvents, thinners, fuels, grain dust, etc.

ELECTRICAL - 115 Volt Model MC831800

This machine is designed to operate on a standard 15 amp. 115 volt, 60 hz, AC circuit. Voltages below 105 volts AC or above 125 volts AC could cause serious damage to the motor.

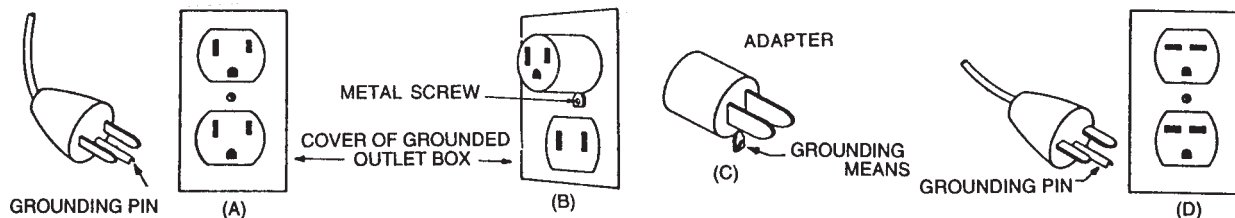
ELECTRICAL - 240 Volt Model MC831910

This machine is designed to operate on a standard 10 amp. 230 volt, 50 hz, AC circuit.

GROUNDING INSTRUCTIONS

To protect the operator from electrical shock, this machine must be grounded while in use. This machine is equipped with an approved three-conductor power cord and grounding type plug to fit the proper grounding type receptacle.

DANGER - Improper connection of the equipment-grounding conductor can result in a risk of electric shock. Check with a qualified electrician or service person if you are in doubt as to whether the outlet is properly grounded. This machine is for use on a nominal 120 volt circuit and has a grounding plug that looks like the plug illustrated in sketch A. Make sure that the machine is connected to an outlet having the same configuration as the plug. If a properly grounded receptacle as shown in sketch A is not available an adapter as shown in sketch C is available and should be installed as shown in sketch B if the outlet box that houses the receptacle is grounded. Be sure to fasten the grounding tab with the faceplate screw. For equipment rated 150-250 volts: If the machine is provided with an attachment plug as shown in sketch D, it is intended for use on a 240 volt (nominal) circuit. No adapter is available for this plug.



EXTENSION CORDS

Replace damaged or worn cords immediately. The table shows the correct size to use, depending on cord length and nameplate amperage rating of machine. If in doubt, use the next heavier gauge. An under-sized cord will cause a drop in line voltage, resulting in loss of power and overheating. NOTE: the smaller the gauge number, the heavier the cord.

Recommended Minimum Gauge for Cord Extensions

Name Plate Amps.	Wire Gauge Chart A.W.G.				
	120V	25	50	100	150
5-6	240V	50	100	200	300
5-6		18	16	14	12
6-8		18	16	12	10
8-10		18	14	12	10
10-12		16	14	10	8
12-14		16	12	10	8

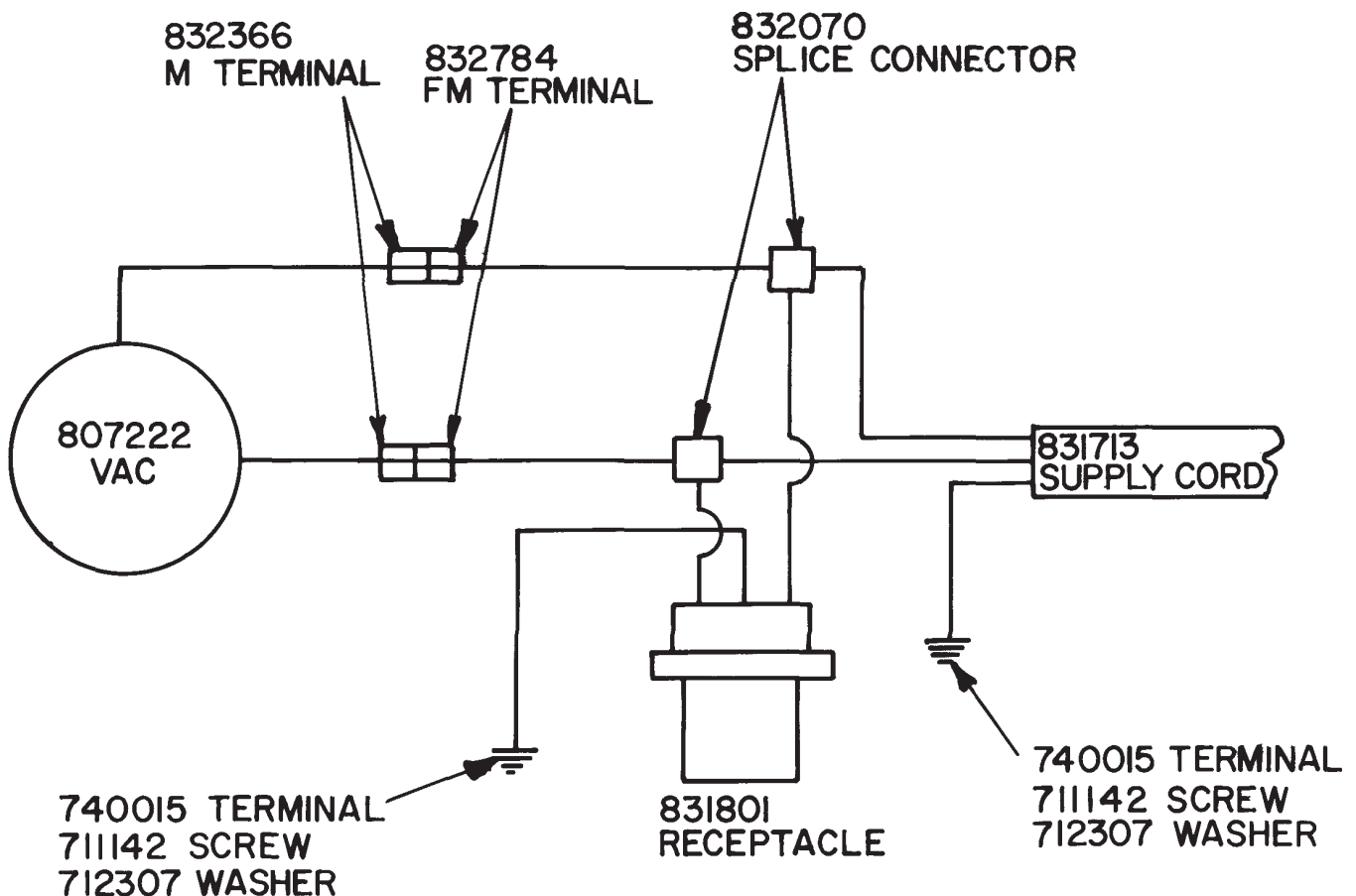
ASSEMBLY OF UNIT

Remove top cover of vacuum by pulling on loop located at the corner of the cover. Make sure the cloth filter bag is in place and the inlet opening of the bag is pushed securely over the vac intake. Replace top cover by snapping it back down into place (Make sure it is tightly snapped down on all four sides.) If vacuum is to be used on back, snap shoulder straps onto tank eyelets. There is one eyelet towards the top of the vac, one at the back, and one on either side toward the bottom. If vac is to be used as a canister, simply push the three casters provided, into each of the three caster sockets on the back of the machine. The vac intake may be swiveled 180° for either right or left handed use when vacuum is worn on back, or straight ahead for canister use. (It is not a free swivel intake.) Attach hose to intake connector, then attach wand - with desired tool - to the hose. For blower use, remove white diffuser bag located at the bottom of vac and attach hose to plastic fitting. (Always replace diffuser bag when finished.) After vacuum is mounted on back or as canister, push switch to "ON" position when ready to commence work.



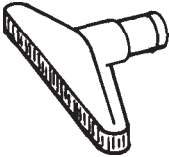
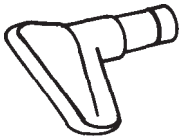


CARE AND MAINTENANCE

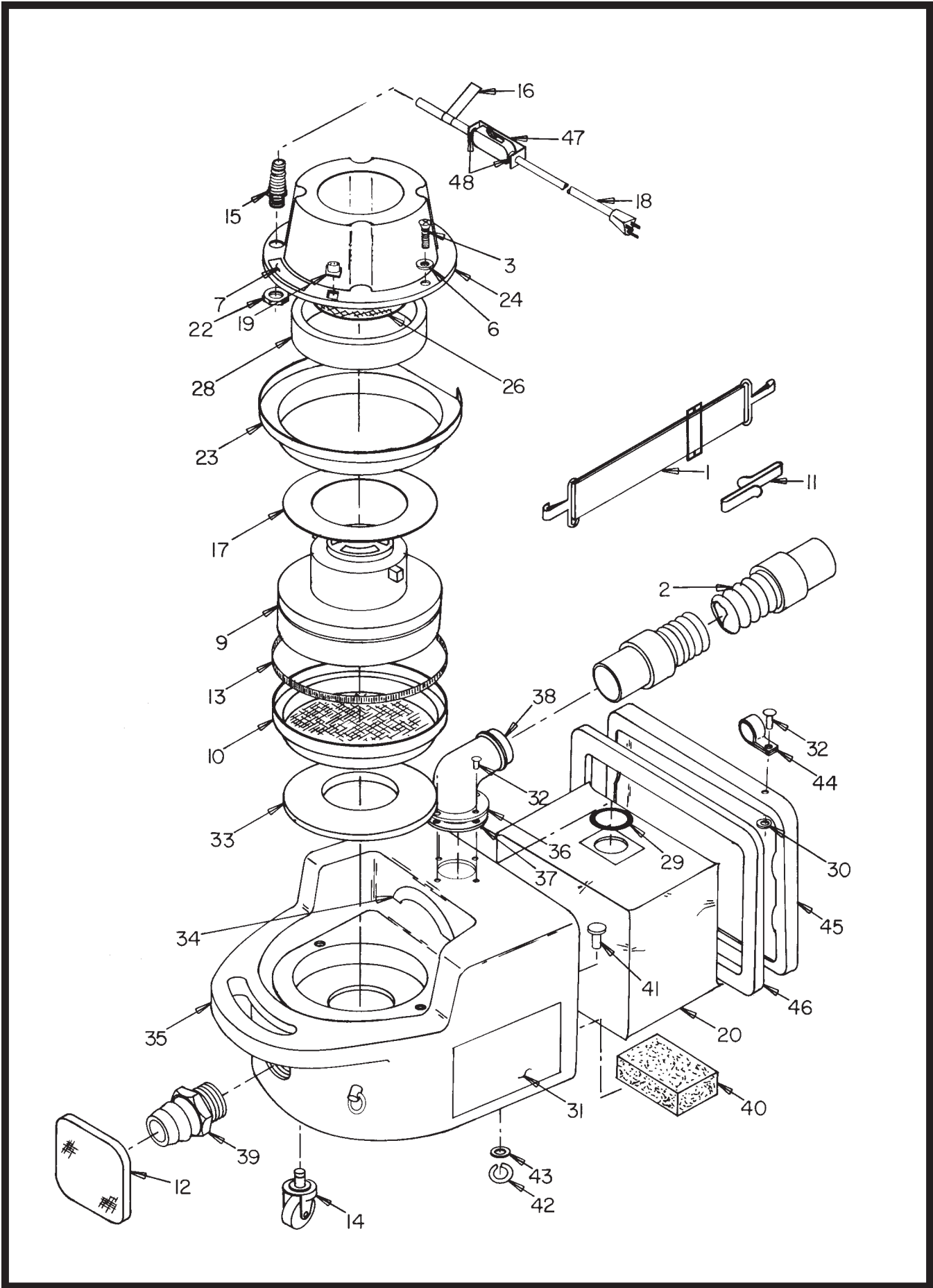
- Observe the following to insure efficient and trouble-free operation of your vacuum.
- Always disconnect unit from wall plug when servicing.
- Always use a filter bag.
- When using a cloth filter bag, clean it frequently by opening zipper and emptying the bag.
- Check frequently for holes or tears in the filter bag. Replace filter bag immediately, if torn or otherwise damaged. The cleaner the filter bag is kept, the better the vacuum performs.
- Periodically remove the motor assembly from the tank and secondary filter and clean this filter. Inspect hose for leaks.

Wiring Diagram



**OPTIONAL
GENERAL CLEANING KIT
700025**

		Part No.	Description
A		761228	1 1/2" X 54" Wand Assembly
B		800124	Utility Nozzle
C		800603 807334	14" Brush Floor Tool Repl. Brush
D		60103 17916	21" Floor and Rug Tool Repl. Brush
E		800083 804006 800083	3" Round Dust Brush w/Adapter 3" Dust Brush Adapter
F		800035	12" Fibre Crevice Tool



HEAD ASSEMBLY

Parts List

Item	Part No.	Qty.	Description
1	2434	2	Shoulder Strap
2	17603	1	Hose Assembly 72"
3	710586	2	Screw - 1/4-20 x 1.25
6	712319	2	Finishing Washer
7	715029	1	Nameplate
9	380001	1	Vacuum Motor Bypass 115V
9A	380054	1	Vacuum Motor Bypass 240V
10	807564	1	Motor Filter
11	808421	1	Cord Clip
12	808577	1	Diffuser Bag
13	808744	1	Hose Clamp
14	827420	3	Caster
15	833237	1	Strain Relief
16	830985	1	Decal, Cord
17	831478	1	Gasket Neoprene 6 X 7.5 X .37
18	831713	1	Cord Assembly (includes *)
19	831801	1	Receptacle
20	831875	1	Filter Bag, Cloth
22	833239	1	Strain Relief Nut
23	832331	1	Motor Pan
24	832332	1	Motor Enclosure
26	833790	1	Chrome Filter Screen
28	833792	1	Foam Filter 3 I.D. x 5 O.D.
29	833827	1	O-Ring 1.25 I.D. x .187
30	711503	5	Flatwasher #10
31	715005	2	Decal, Hako
32	828893	5	Pop Rivet
33	828995	1	Gasket Neoprene 2.5 X 6 X .62
34	830984	1	Warning Decal
35	831803	1	Tank
36	831808	1	Intake Plate
37	831809	1	Gasket
38	831811	1	Intake Tube
39	831812	1	Adapter 1.5 MPT x 1.5 H.B.
40	831855	1	Intake Filter
41	831889	3	Clevis Pin
42	831891	3	Ring
43	831893	3	Push Ring
44	831418	1	Clamp PVC Coated
45	831806	1	Cover
46	831867	1	Trim Seal 39"
*47	832431	1	Strain Relief Bracket
*48	831971	2	Strain Relief
xx	829192	1	Carbon Brush, Set of 2
xx	831810		Tank Assembly
xx	831814		Cover Assembly
xx	832050PKG		Optional Paper Filter Bag, Pkg. of 24

LIMITED WARRANTY

Minuteman International, Inc. warrants to the original purchaser/user that this product is free from defects in workmanship and materials under normal use and service for a period of three years from date of purchase. In addition, Minuteman International, Inc. will, at its option, honor labor warranty claims for the first 12 months from date of sale, provided such claims are submitted through and approved by factory authorized repair stations. Minuteman International, Inc. will, at its option, repair or replace without charge, except for transportation costs, parts that fail under normal use and service when operated and maintained in accordance with the applicable operation and instruction manuals.

This warranty does not apply to normal wear, or to items whose life is dependent on their use and care, such as belts, cords, switches, hoses, rubber parts, electrical motor components or adjustments. Parts not manufactured by Minuteman International, Inc. such as engines, batteries, battery chargers, hydraulic pumps, and tires are covered by and subject to the warranties and/or guarantees of their manufacturers. Please contact Minuteman International, Inc. for procedures in warranty claims against these manufacturers.

Special warning to purchaser — Use of replacement filters and/or prefilters not manufactured by Minuteman International, Inc. or its designated licensees, will void all warranties expressed or implied.

A potential health hazard exists without exact original equipment replacement.

All warranted items become the sole property of Minuteman International, Inc. or its original manufacturer, whichever the case may be.

Minuteman International, Inc. disclaims any implied warranty, including the warranty of merchantability and the warranty of fitness for a particular purpose. Minuteman International, Inc. assumes no responsibility for any special, incidental or consequential damages.

This limited warranty is applicable only in the U.S.A. and Canada, and is extended only to the original user/purchaser of this product. Customers outside the U.S.A. and Canada should contact their local distributor for export warranty policies. Minuteman International, Inc. is not responsible for costs or repairs performed by persons other than those specifically authorized by Minuteman International, Inc. This warranty does not apply to damage from transportation, alterations by unauthorized persons, misuse or abuse of the equipment, use of non-compatible chemicals, or damage to property, or loss of income due to malfunctions of the product.

If a difficulty develops with this machine, you should contact the dealer from whom it was purchased.

This warranty gives you specific legal rights, and you may have other rights which vary from state to state. Some states do not allow the exclusion or limitation of special, incidental or consequential damages, or limitations on how long an implied warranty lasts, so the above exclusions and limitations may not apply to you.

Minuteman[®]

World Headquarters
Minuteman International, Inc.
111 South Rohlwing Road
Addison, Illinois 60101

Minuteman Canada, Inc.
2210 Drew Road
Mississauga, Ontario
L5S 1B1

(630) 627-6900
FAX (630) 627-1130

(905) 673-3222
FAX (905) 673-5161

987310
Printed in U.S.A.