

TORNADO INDUSTRIES
7401 W. LAWRENCE AVENUE
CHICAGO, IL 60706
(708) 867-5100 FAX (708) 867-6968
www.tornadovac.com



Parts Manual
For Commercial Use Only



Clean-Air Battery Glazer 2500B
Self-Propelled

CATALOG NO.
98499

For operational instructions, refer to manual L8499aa Operation Manual

This instruction book covers:

CATALOG NO.	98499
MODEL	2500
SERIES	A
VOLTS	36

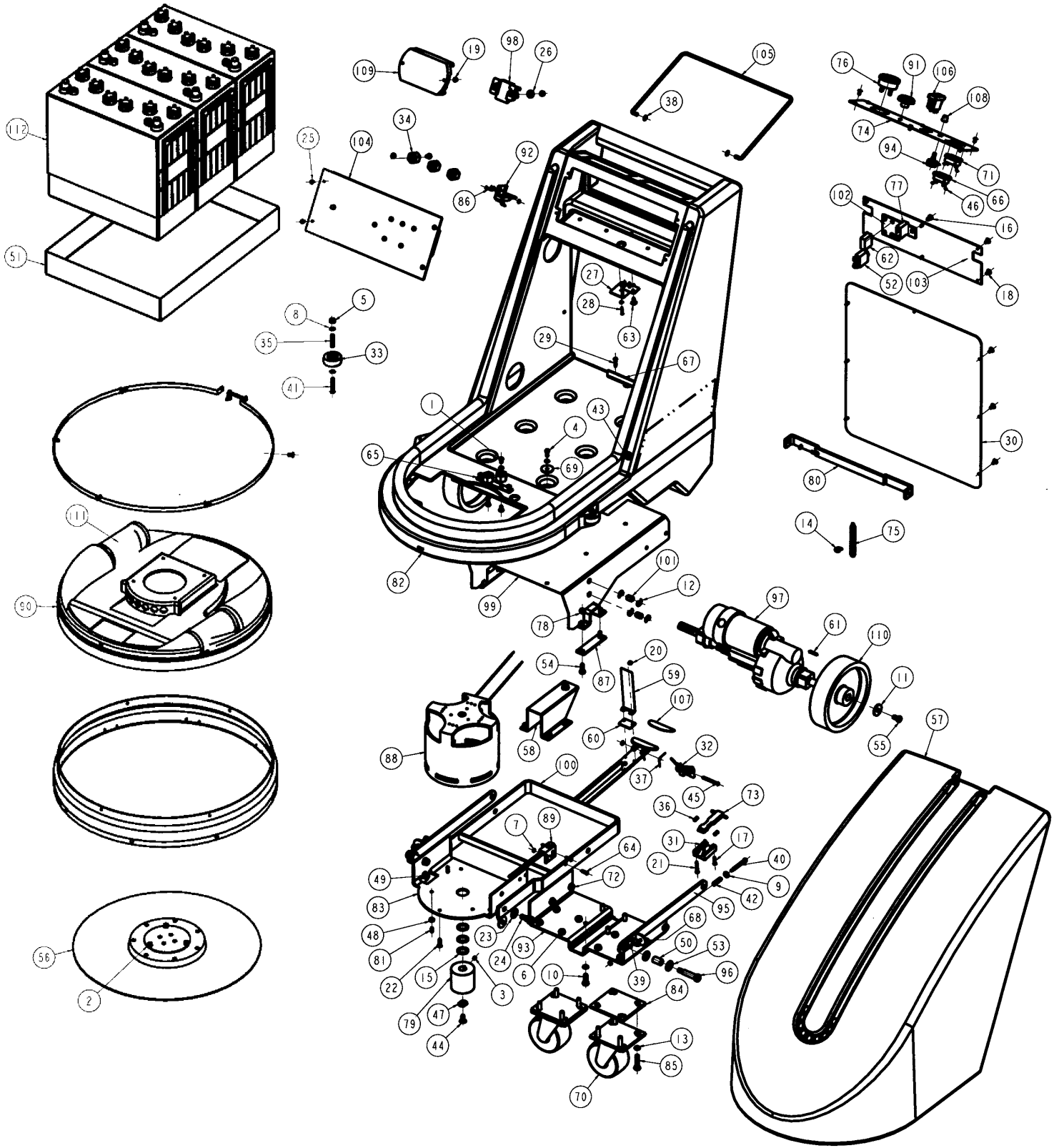
ALL SPECIFICATIONS SUBJECT TO CHANGE WITHOUT NOTICE.

Tornado® Standard Warranty Program*	
<p>Warranties do not cover components subject to normal wear or abuse and misuse, and have other limitations not specified here. For full details, contact your Authorized Tornado Distributor, Service Center, or the Tornado Technical Service Department.</p> <p>Tornado sales and services representatives are not authorized to waive or alter the terms of this warranty, or to increase the obligations of Tornado under the warranty.</p>	<p>10 Years: <i>All plastic tanks and rotationally-molded bodies</i> ^{1) 5)}</p>
	<p>2 Years: <i>Parts on all Tornado and Tornado/Karcher cleaning equipment</i> ^{1) 2) 3) 5)}</p>
	<p>1 Year: <i>Labor on all Tornado and Tornado/Karcher cleaning equipment</i> ^{2) 5)}</p>
	<p>1 Year: <i>Warranty on batteries and chargers, One year pro-rated.</i></p>

* Effective January 1st, 2001. Terms subject to change without notice.

- 1) Windshear™ Blower-Dryer, Insulation Blowers, T191, T201, CV 30, CV 38, CW 50, CW 100, Pro PAC Vacs, Duo-Upright Carpetkeepers™, and all chargers are warranted for 1 (one) year for both parts and labor.
- 2) Warranties on all riding sweepers including the ICC1, KM 100/100 R, KMR 1250, and KMR 1700 are 24 months parts/6 months labor OR 1000 hours of operation, whichever comes first. Warranties on the 75/140 & 90/140 are 24 months parts/12 months' labor OR 1000 hours of operation, whichever comes first.
- 3) All non-wear item parts purchased after warranty expiration are warranted for 90 days.
- 4) Warranty starts from date of sale to the consumer or, at Tornado's discretion, 6 months after dealer purchased the unit from Tornado, whichever comes first.
- 5) See limited 2-year pressure washer warranty.

MAIN ASSEMBLY – EXPLODED VIEW



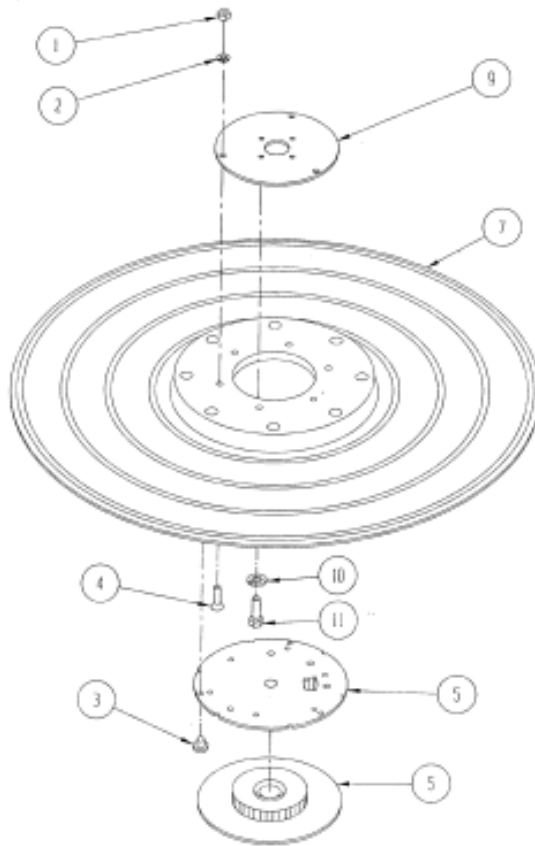
MAIN ASSEMBLY PARTS LIST

<u>ITEM</u>	<u>QTY.</u>	<u>PART NO.</u>	<u>DESCRIPTION</u>
1	2	00086	SCREW, PHILLIPS ROUND-HEAD MACHINE ¼-20 X 1/2
2	13	01574	WASHER, LOCK (H/S)1/4"
3	1	02011	SET SCREW, BRUSH PULLEY
4	8	02047	SCREW, HEX-HEAD MACHINE ¼-20 X 5/8
5	2	02167	NUT, ACORN #10-24
6	8	02581	NUT, FINISHED HEX 3/8-16
7	6	02958	NUT, HEX-LOCK (KEPS) #6-32
8	4	03060	WASHER, PLAIN .199
9	2	03218	WASHER, PLAIN ¼
10	4	03320	SCREW, HEX-HEAD CAP 3/8-16 X 1
11	4	03321	WASHER, PLAIN 3/8"
12	8	03470	RING, RETAINING EXT "E" ½" HEAVY DUTY
13	12	03536	WASHER, LOCK 3/8
14	1	03947	RING, RETAINING, EXTERNAL 3/8"
15	3	03960	WASHER, PLAIN 25/32" ID
16	8	04442	SCREW, PHILLIPS PAN-HEAD MACHINE ¼-20 X 1/2
17	2	07360	SCREW, SLOTTED ROUND-HEAD MACHINE 10-24 x 7/8
18	15	10677	SCREW, TFT PAN-HEAD #10-12 X 1/2
19	2	10892	NUT, HEX LOCK #10-24
20	10	10894	NUT, HEX LOCK (P/T) #10-24
21	22	10895	SCREW, PHILLIPS PAN-HEAD MACH 10-24 x 1-3/8
22	3	11276	SCREW, PHILLIPS FLAT-HEAD MACH 1/4-20 x 7/8
23	4	12554	WASHER, PLAIN 1/2
24	2	12922	SCREW, SOCKET-HEAD SHOULDER 1/2"D X 1/2"
25	10	13330	SCREW, TFT PAN-HEAD #10-12 X 3/8
26	2	14142	WASHER, PLAIN .265
27	1	14179	BRACKET, POWER CONNECTOR
28	2	14544	SCREW, PHILLIPS FLAT-HEAD MACHINE #6-32 X 7/8
29	2	15073	SCREW, TFT PHILLIPS-HEAD #10-16 X 1.0"
30	1	15251	BACK PANEL
31	1	15285	LATCH BLOCK
32	1	15286	LATCH RELEASE
33	2	15332	WHEEL, 2" DIA. (GREY)
34	5	15345	BUSHING, INSULATOR
35	2	15346	AXLE, WHEEL RUB
36	2	15357	SPRING, LATCH RELEASE
37	2	15358	RELEASE SPRING
38	2	15365	FASTENER, HANDLE
39	2	15374	ADJUSTMENT LINK SLIDE
40	2	15377	BOLT, SHOULDER #10-24 HEX
41	2	15378	SCREW, PHILLIPS PAN-HEAD MACHINE #10-24 X 1-3/4
42	2	15379	ADJUSTMENT SPRING
43	1	15390	SWITCH, PUSH BUTTON
44	1	15401	SCREW, 5/16-24 X .75 FLAT HEAD

45	1	15497	SCREW, ROUND HEAD #10-24 x 2"
46	4	15560	NUT, #4-40 (KEPS)
47	1	15633	SPACER, MOTOR SHAFT
48	6	16129	NUT, HEX LOCK (KEPS) ¼-20
49	4	16186	LOCKNUT, HEX-HD FLANGED LOCK 3/8-16
50	2	16212	ADJUSTMENT SPACER
51	1	16317	BATTERY TRAY
52	1	16441	CIRCUIT BREAKER, 70 AMP.
53	2	16581	WASHER, PLAIN ½"
54	4	16654	SCREW, HEX-HEAD CAP 5/16-18 X 7/8
55	2	16671	SCREW, HEX-HEAD CAP 3/8-16 X 5/8
56	1	17097	PAD HOLDER ASSEMBLY
57	1	17946	HOUSING, BATTERY COVER
58	1	17963	WELDMENT, ADJUSTER BRACKET
59	1	17975	BRACKET, TOE GUARD
60	1	17986	PLATE, RUB (ADJUSTER STUD)
61	2	18115	KEY, SQUARE 3/16 X 1" LONG
62	1	18219	CIRCUIT BREAKER, 25-AMP
63	2	18253	SCREW, TFT PAN-HEAD #8-16 X ¾"
64	2	18339	SCREW, PHILLIPS FLAT-HEAD MACHINE #10-24 X ¾"
65	1	18355	STAND-OFF MOUNTING PLATE
66	1	18460	GAUGE, BATTERY CONDITION
67	1	18544	BRACKET, ADJUSTMENT SHAFT GUARD
68	4	18562	NUT, HEX-FLANGE LOCK (WHZ) 5/16-18
69	6	18642	WASHER, PLAIN .281
70	2	18773	CASTER
71	1	18868	GAUGE, HOURMETER
72	4	18872	SCREW, HEX-FLANGE 5/16-18 x 1/2" WHZ
73	1	18988	ASSEMBLY, LATCH
74	1	19055	INSTRUMENT PANEL
75	1	19086	SHAFT, FLEXIBLE
76	1	19087	GAUGE, AMP (PAD PRESSURE)
77	1	19310	CIRCUIT BREAKER, 2.5-AMP
78	4	19513	NUT, HEX-LOCK (NYLON INSERT) 5/16-18
79	1	19550	COLLAR, PAD RETAINING
80	1	19553	BRACKET, BATTERY RETAINING
81	4	19559	SET SCREW, ¼-20 X ½"
82	1	19560	HOUSING, FRAME
83	1	19562	BRACKET, MOTOR MOUNTING
84	2	19582	PLATE, CASTER
85	8	19795	SCREW, HEX-HEAD CAP 3/8-16 X 1-1/2
86	2	30677	SCREW, PHILLIPS TRUSS-HEAD MACHINE #6-32 X ¾"
87	2	30765	BRACKET, TRANSAXLE
88	1	31069	MOTOR, BRUSH TYPE
89	1	31098	SWITCH, ANGLE MOUNTING LEVER
90	1	31168	SHROUD ASSEMBLY
91	1	31470	KNOB, PAD PRESSURE
92	1	31499	SWITCH, NORMALLY OPEN

93	1	32050	CASTER CHANNEL
94	1	32064	POTENTIOMETER, 5K OHM
95	2	32076	MOTOR ADJUSTMENT LINK
96	2	32078	BOLT, SOCKET-HEAD SHOULDER 1/2D X 1-3/4
97	1	32107	36VDC TRANSAXLE
98	1	32109	POWER CONTACTOR 36VDC
99	1	32115	CHASSIS
100	1	32116	LIFT LEVER
101	4	32117	AXLE
102	1	32120	PLATE, BREAKER MOUNT
103	1	32121	COVER, CIRCUIT BREAKER
104	1	32125	ACCESS COVER
105	1	32128	DEADMAN BAR
106	1	32147	SWITCH, VACUUM MOTOR CONTROL
107	1	32150	PAD, MOTOR LIFT PEDAL
108	1	32154	KNOB, SPEED CONTROL
109	1	32156	SPEED CONTROLLER, 36VDC
110	2	32160	WHEEL, 8" DIA X 2"
111	2	90689	FILTER, DUST
112	3	99512	BATTERY

PAD HOLDER ASSEMBLY



PAD HOLDER PARTS LIST

<u>ITEM</u>	<u>QTY.</u>	<u>PART NO.</u>	<u>DESCRIPTION</u>
(1)	3	01497	NUT-HEX.1/4-20
(2)	3	01574	WASHER-LOCK(H/S)1/4"
3	3	10677	SCREW-TFT(A)P.H. #10-12 x 1/2"
(4)	3	11276	SCREW-PHIL. FLAT HD MACH 1/4-20 X 7/8 (ZP)
5	1	15887	PAD RETAINER
(7)	1	16148	PAD HOLDER
(9)	1	17090	DRIVE PLATE
10	4	03536	WASHER-LOCK(H/S)3/8"
11	4	03959	SCREW-HEX.CAP 3/8-16 X 3/4"
*12	1	90620	PAD HOLDER-HIGHSPEED 20" (FLEX-PAD REPLACEMENT)

() INCLUDED IN **17097** PAD HOLDER ASSY. S/A

* OPTIONAL ITEM NOT SHOWN