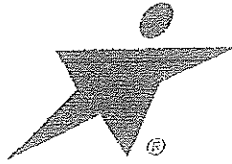


HAWK FLOOR MACHINE

THIS MANUAL CORRESPONDS TO SERVICE MASTER'S SM507 –
ARAMARK'S 507 AND HAWK'S 507 FLOOR MACHINES.

WHEN USING THE WEBSITE PLEASE PUT "SM" IN FRONT OF ALL PART
NUMBERS IN ORDER FOR THEM TO SHOW UP ONLINE.

ANY QUESTIONS, PLEASE CALL BIO-SHINE INC. 732-251-9506 HIT
OPTION 4 FOR PARTS

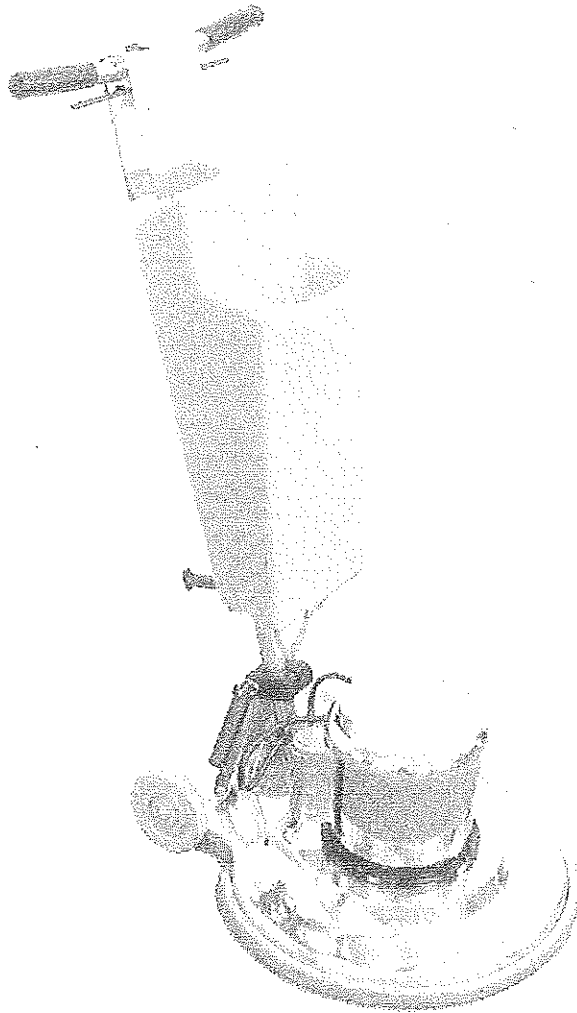


ARAMARK

Stock No. 50850AR 16" (120 V)
Stock No. 50800AR 20" (120 V)

Glide Electro Roto
Commercial Floor Machine

Operation & Parts Manual

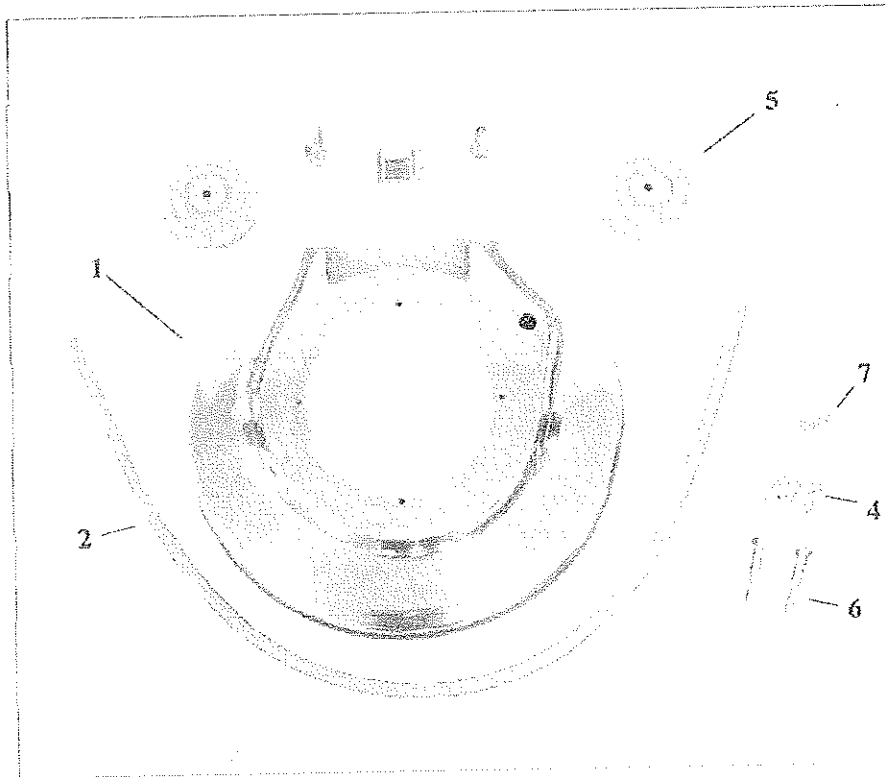


Manual No.: 50800AR
Rev. 00 (05-2005)

PARTS LIST

SECTION VII

A. Base Assembly and Parts
For Glide 16" and 20" Roto

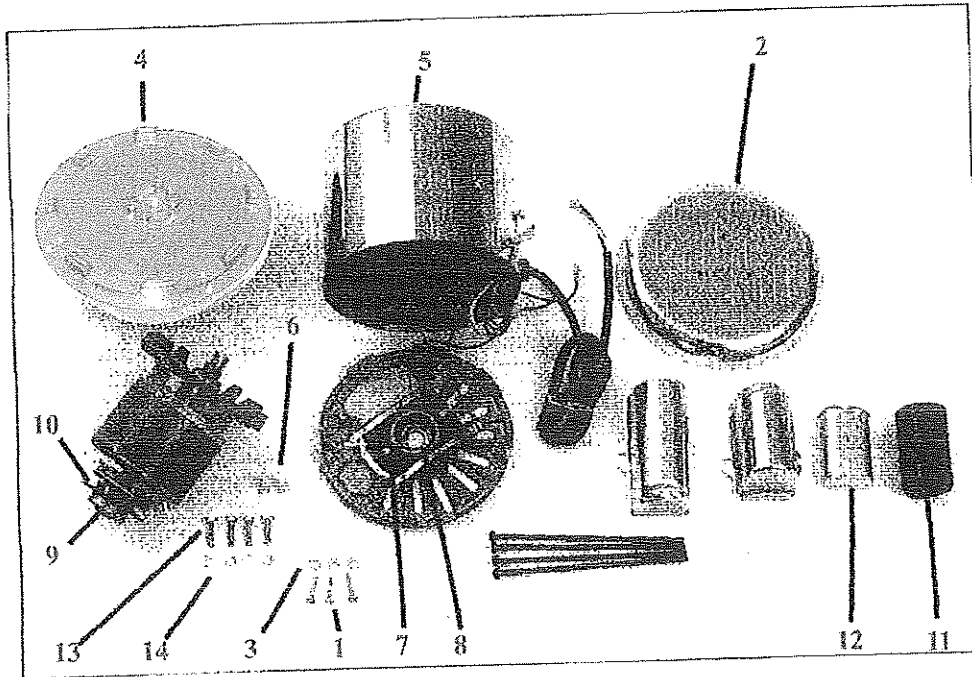


Illus. Number	Size 16"	Size 20"	Description	No. Reqd.
	50793AR	50701AR	Base Assembly Complete	
1		50701AR	Brush Housing Casting Only	1
2	50247	50248	Bumper Vinyl, Grey	1
3	50026	50026	Rivet (not shown)	9
4	50019	50019	Washer, Spring	4
5	50711	50711	Wheel, 5 in. (non-marking)	2
6	50781	50781	Screw, 3/8 - 16 x 2-1/2, Hex Head	2
7	50021	50021	Nut, 3/8-16, Hex, Jam	

PARTS LIST

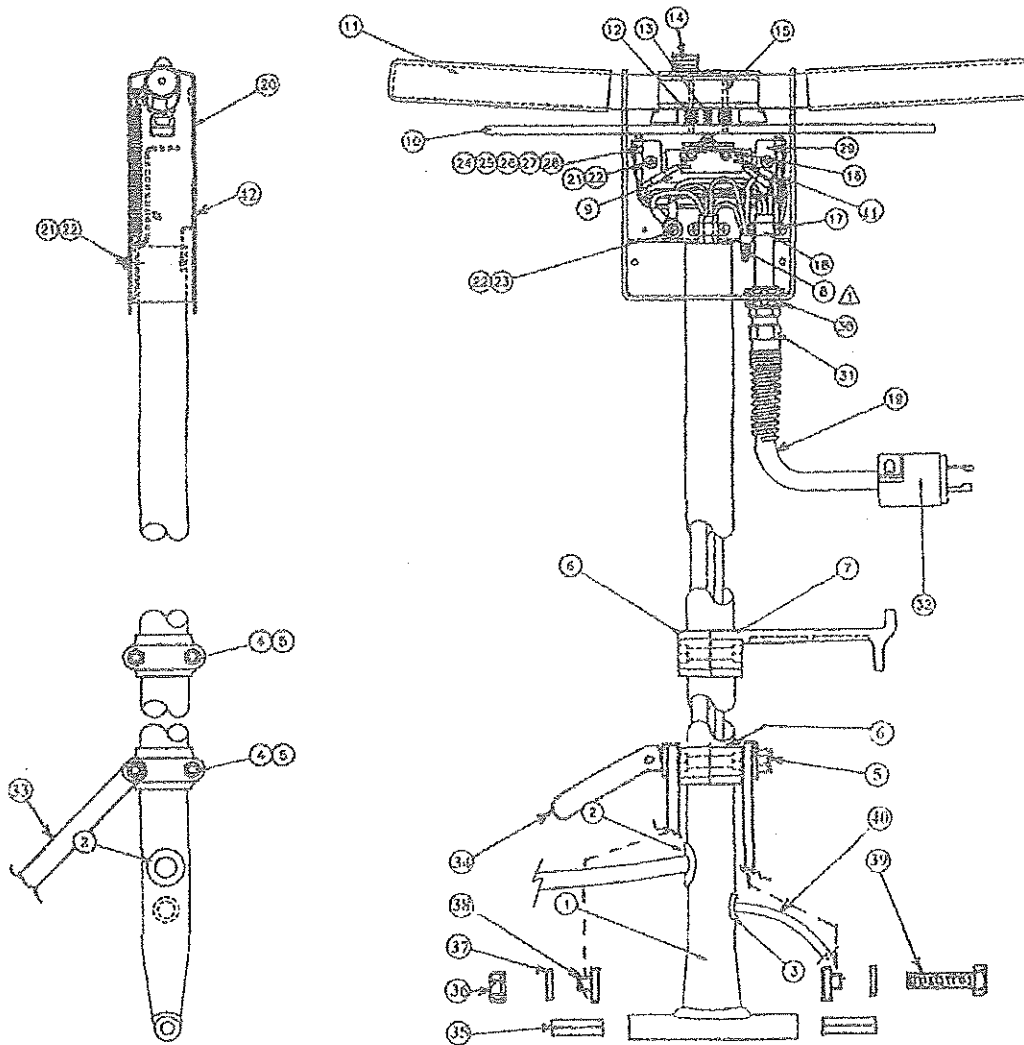
SECTION VII

A. Motor Assembly and Parts
For Glide 16" and 20" Roto



Illus. No.	Size 16"	Size 20"	Description	No. Reqd.
1	50801	50801	Screw, 10 - 24 x 1.0 Philips - Drip Cover	3
2	50802	50802	Cover, Motor	1
3	50803	50803	Spacer, Motor Cover, 1/2 x 3/16 x 3/8 Nylon	3
4	50804	50805	Motor and Gear Unit Assembly Complete	1
5	50806	50807	Motor Only (includes rotor, stator & end bell)	1
6	50725	50725	Nut, Wire	2
7	50808	50809	Switch, Stationary	1
8	50309	50309	Spring, Loading	2
9	50310	50310	Bearing, Ball	1
10	50810	50810	Switch, Centrifugal - 60 Hz	1
11	50324		Capacitor, Start - 400-480 ufd, 2.06 x 3.376	1
11		50553	Capacitor, Start - 540-648 ufd, 2.06 x 3.37L	1
12		50550	Capacitor, Run - 12.5 ufd, 370 v, 1.2 x 2.4L	1
13	50062	50062	Screw, 1/4 - 20 x 3/4 Hex Head	4
14	55457	55457	Washer, 1/4 Split Lock	4

C. Handle Assembly and Parts
For Glide 16" and 20" Roto



Illus. No.	Stock No.	Description	Number Reqd.
1	50953	Wdmt, Handle Assembly - Chrome Plated	1
2	50995	Grommet, .69 ID x .81 OD	1
3	50956	Grommet, .56 ID x .81 OD	1
4	50811	Screw, Mach., Socket Head, 3/8-16 x 2	4
5	50812	Nut, Hex, Nyloc Thin, 3/8-16	4

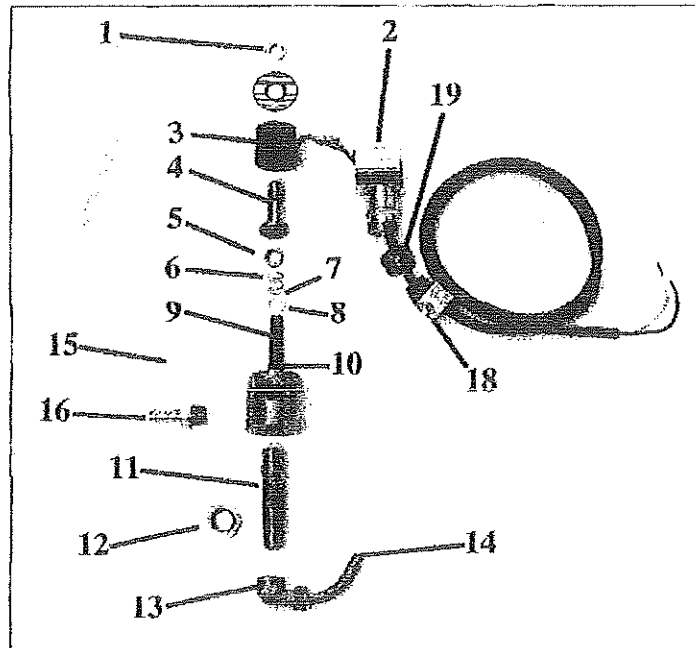
PARTS LIST

SECTION VII

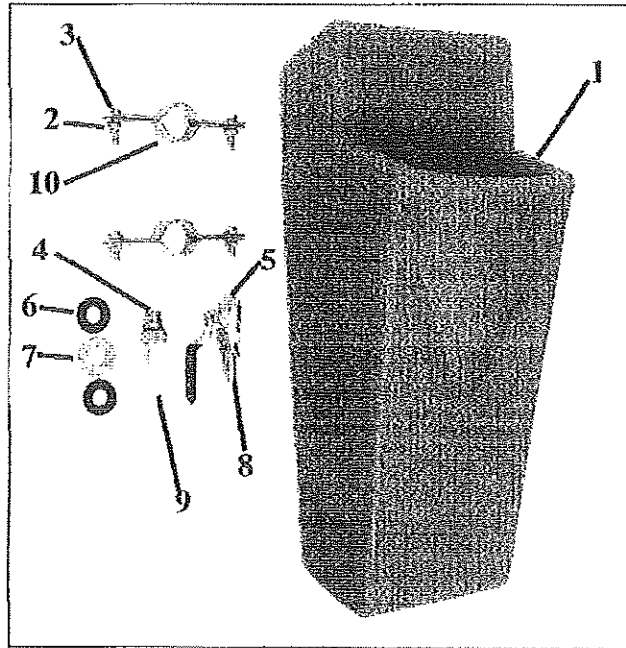
C. Handle Assembly and Parts
For Glide 16" and 20" Roto

Illus. No.	Stock No.	Description	No. Reqd.
6	50813	Cap, Cord Hook - Clamp	3
7	50814	Body, Cord Hook Arm	1
8	50725	Wire Nut, Ideal 74B	1
9	50957	Insulation Paper, 2 x 2.5	1
10	50958	Bar, Steel - Trigger 11.00, Black	1
11	50721	Handle Grip, Black	2
12	50715	Spring, Compression - Trigger	2
13	50815	Spring, Extension - Safety Latch Return	1
14	50816	Safety Latch	1
15	50817	Roll Pin - 1/8 x 1.75	2
16	50960	Switch, SPST - 25 amp (Micro-Switch)	1
17	55313	Screw, Tpg. - 10-24 x .75	2
18	50961	Clamp, Cable - Plastic	2
19	50727	Cord, Power - 14-3 ST, Yellow, 20"	1
20	50818	Assembly, Switch Box Cover - Chrome Plated	1
21	55310	Washer, Lock - #10 Ext. Tooth	2
22	51506	Screw, Tpg. - 10-24 x .38	3
23	50963	Washer, 3/16 ID x 3/8 OD Int. Lock	1
24	50122	Switch, Micro - Solenoid, SPDT, 5 amp.	2
25	50767	Insulation, Solenoid Switch	2
26	50772	Screw, Rd. Head - 2-56 x 1/2 L	4
27	50425	Nut, Hex - 2-56	4
28	50124	Washer, Lock - .095 ID x .20 OD	4
29	50964	Bracket, Mount - Micro Switch	1
30	50723	Nut, 1/2 NPT	2
31	50211	Strain Relief - Power Cord	1
32	51573	Plug, Twist Lock - 115 volt, 15 amp.	1
33	50819	Strut, Handle Support - 1.0 x 10.25 Chrome Plated	2
34	50820	Cam Lock Assembly Complete	1
35	50706	Roll Pin - 3/8 x 1 1/2	2
36	50708	Nut, 5/16-18 Flex Lock	1
37	50709	Washer, 5/16 Flat	2
38	50821	Spacer, Strut - Handle	2
39	50822	Screw, 5/16-18 x 3 1/4, Hex Head	1
40	50765	Cord, Electro Valve	1
41	50826	Jumper Wire Connector Assembly	1
42	50827	Warning Label	1

D. Electro Valve Assembly and Parts
For Glide 16" and 20" Roto

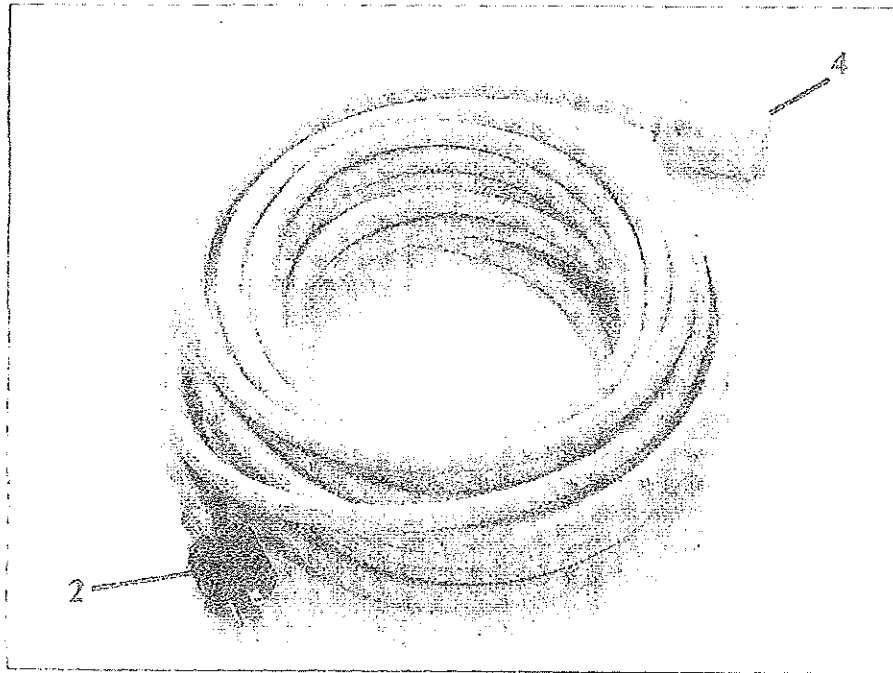


Illus. No.	Stock No.	Description	No. Reqd.
1	50267	Nut, Housing	1
2	50268	Housing, Coil	1
3	50280	Coil, Molded - 115 volt	1
4	50283	Sleeve Assembly	1
5	50284	Seal, Flange	1
6	50285	Collar, Plunger Guide	1
7	50286	Spring, ss, Plunger	1
8	50287	Ring, Retainer	1
9	50288	Plunger	1
10	50275	Seat for Plunger	1
11	50290	Nipple, 3/8 x 3 Stainless Steel	1
12	50295	Nut, 3/8 - 18 Straight Pipe Thread	1
13	50291	Fitting, Right Angle	1
14	50294	Tube, Solution Feed	1
15	50264	Hose, 3/8 x 5/8 x 16, Solution	1
16	50263	Barb, 3/8 x 3/8 Hose	1
17	50209	Electro Valve Assembly - 115 volt (1-10)	1
18	50208	Connector, Watertight Stain Relief	1
19	50828	Adapter - Extension	1

E. Tank Assembly and Parts
For Glide 16" and 20" Roto

Illus. No.	Stock No.	Description	No. Reqd.
	50794AR	Tank Assembly Complete	
1		Tank Only — use 50794AR Tank Assembly Complete	1
2	55232	Nut, 1/4 - 20 Hex	4
3	56626	Screw, 1/4 - 20 x 1.0, ss, Hex Head	4
4	50188	Connector, Bulkhead	1
5	50204	Valve	1
6	50258	Washer, 1-5/32 x 11/16, Neoprene	2
7	50261	Washer, 1-1/2 x 11/16, ss	2
8	50263	Barb, 3/8 Hose	1
9	50297	Filter Screen	1
10	50763	Bracket, Curved, Tank	4
11	50762	Washer, 1/4 External Lock (Not Shown)	2
12	50703	Screw, 1/4 - 20 x 1/2, Hex, Washer Head (Not Shown)	2

G. 50ft. Cord Assembly
For Glide 16" and 20" Roto



Illus. No.	Stock No.	Description	No. Reqd.
	50698	Power Cord Asm. Complete - 14-3 ST x 50 Ft., Yellow	
1	50928	Extension Cord Asm. Complete - 12x3 x 50 Ft., Orange with straight connector (not shown). To be used in addition to 50698 Cord if 100 Ft. of cord length desired.	
2	50788	Straight Bladed Connector (115 volt / 20 amp)	1
2	50137	Straight Bladed Connector (115 volt / 15 amp) (Std)	1
3	50735	Plug Protector (not on original equipment)	1
4	55153	Twist Lock Connector (115 volt / 15 amp) (for 50698)	1

PARTS LIST

SECTION VII

H. Suggested Spare Parts
For Glide 16" and 20" Roto
Stock Number 50800AR

	Description	Stock No.
1.	Switch, Electro Valve (2)	50122
2.	Switch, Power, Main, Micro 25 amp	50960
3.	Wall Plug, Hospital Grade, 15a/115v	50137
4.	Connector	55153
5.	Bumper	50248
6.	Rivets, Pop (10)	50026
7.	Wheel Bolts, Axle (2)	50781
8.	Coupling, Motor	50357
9.	Wheel - 5.0 in, OD (2)	50711
10.	Coil, Solenoid - 115 Volt	50280
11.	Seat for Plunger (4)	50275
12.	Cam Lock Assembly Complete (2)	50820
13.	Cord Hook, Less Bracket	50814
14.	Handle Grip (2)	50721