

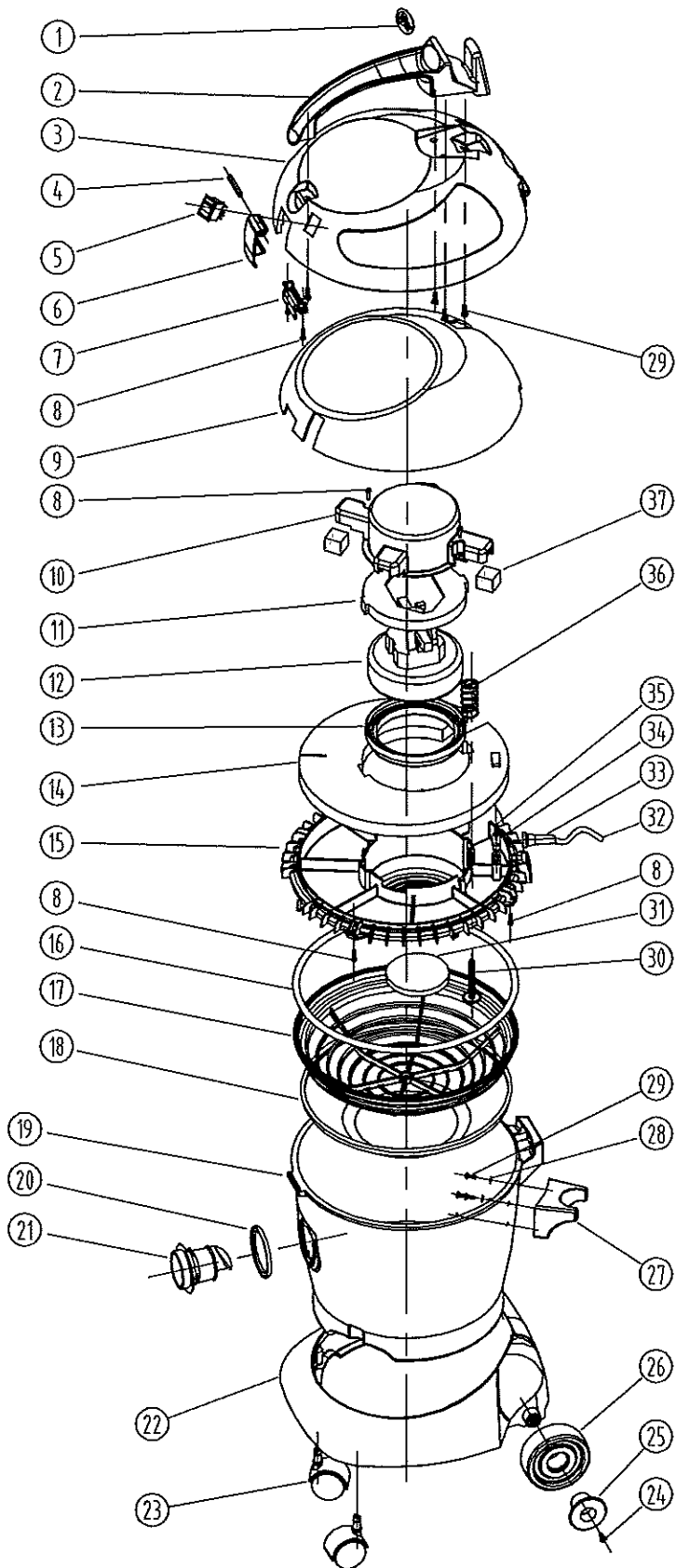
**VIPER**

MAMBA

MB53CV

CANISTER VACUUM

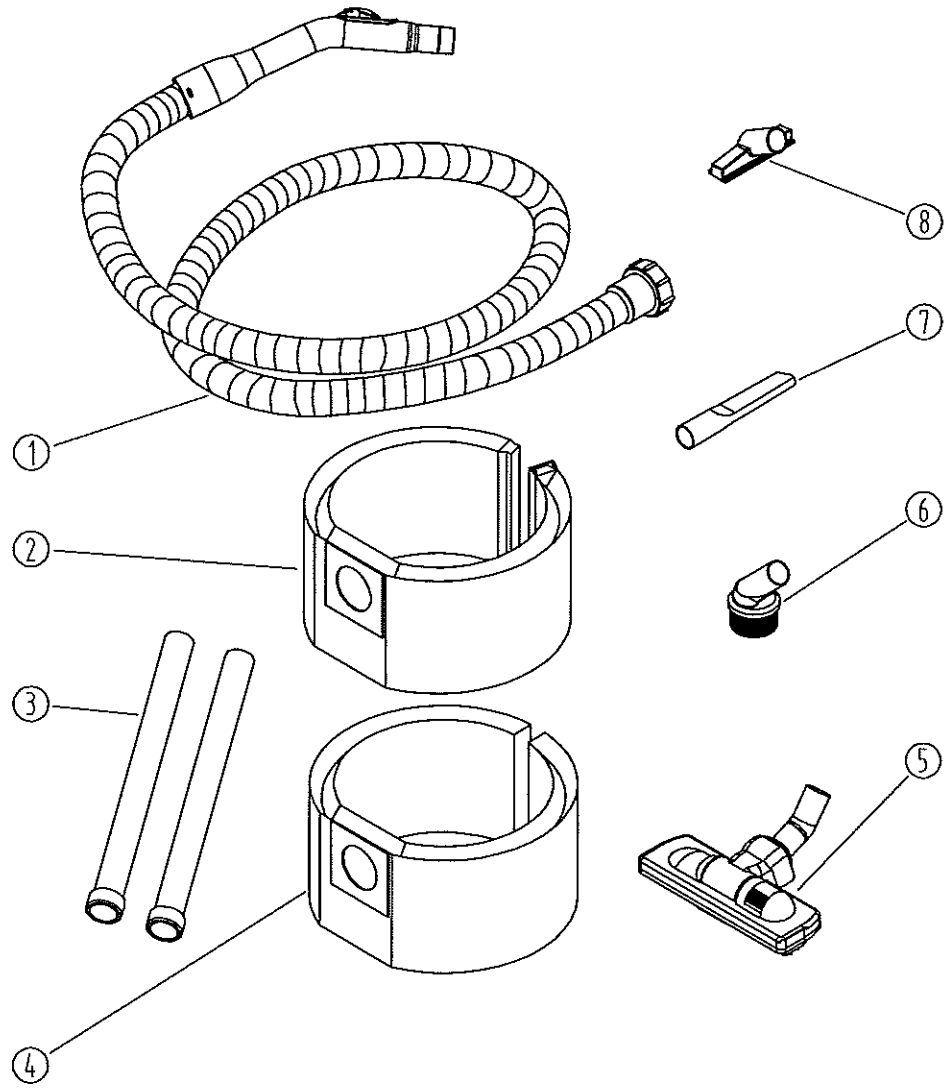
# MB53CV



### MACHINE ASSEMBLY - MB53CV

DIA NO	PART NUMBER	DESCRIPTION	NO REQ'D
1	VA60115	LOGO	1
2	VA60103	HANDLE	1
3	VA60102	HOUSING, VACUUM HEAD	1
4	VA60107	PIN	1
5	VA60118	SWITCH	1
6	VA60105	CATCH	1
7	VA60106	CATCH, BASEMENT	1
8	VF14116	SCREW, SELF-TAPPING, M4 X 16	8
9	VA60114	SCREEN, HOUSING, VACUUM HEAD	1
10	VA61104	MOUNTING COVER, MOTOR	1
11	VA61105	TOP GASKET, MOTOR	1
12	VA41038	VACUUM MOTOR, 110V	1
13	VA61103	BOTTOM GASKET, MOTOR	1
14	VA61108	SCREEN, MOUNTING BASE	1
15	VA61101	MOUNTING BASE, MOTOR	1
16	VA61106	SEAL	1
17	VA61201	FILTER FRAME	1
18	VA61202	FILTER	1
19	VA61301	TANK	1
20	VA61302	GASKET, INTAKE	1
21	VA61303	INTAKE	1
22	VA61304	MOUNTING BASE, TANK	1
23	VA60303	CASTER, M50	2
24	GT13004	SCREW, SELF-TAPPING, M5 X 20	2
25	GV10010	AXLE	2
26	GT10011	WHEEL	2
27	VA60302	HOLDER, COMBINATION TOOL	1
28	VA13482	WASHER, PLAIN, M5 X M11 X 11	4
29	VF14117	SCREW, SELF-TAPPING, M5 X 16	8
30	VA60108	VALVE, BYPASS	1
31	VA61107	FILTER, MOTOR	1
32	VA65002	POWER CABLE	1
33	VA41019	GROMMET	1
34	VA21518	CLAMP BLOCK, POWER CABLE	1
35	GT13047	SCREW, SELF-TAPPING, M3 X 16	2
36	VA60109	SPRING	1
37	VA61109	SCREEN, MOUNTING COVER	4

ACCESSORIES



**ACCESSORIES - MB53CV**

DIA NO	PART NUMBER	DESCRIPTION	NO REQ'D
1	VA41130	HOSE ASSEMBLY	1
2	VA61309	PAPER BAG (PKG OF 10)	1
3	VA20205	TUBE, STAINLESS STEEL	2
4	VA61308	VACUUM BAG, CLOTH	1
5	VA60400	COMBINATION TOOL	1
6	VA20804	DUSTING TOOL	1
7	VA20805	CREVICE TOOL	1
8	VA20802-1	UPHOLSTERY TOOL	1

# Wiring Diagram

MB53CV

