

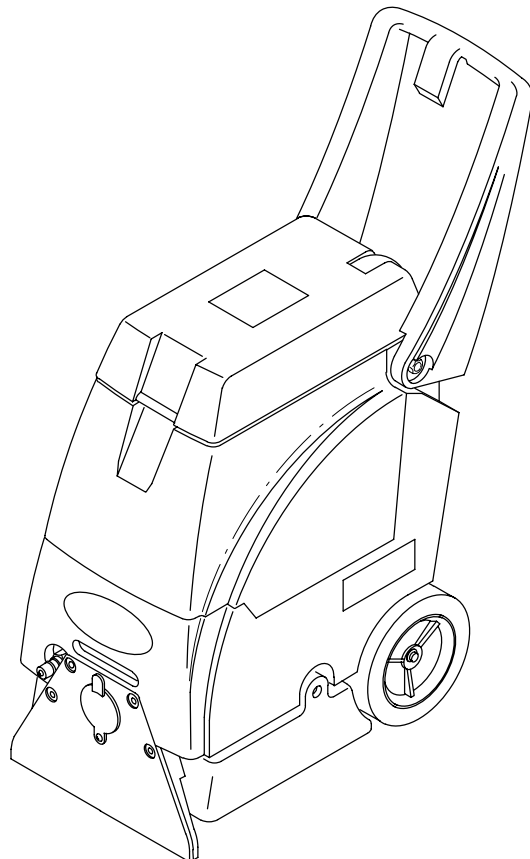


Marksman™ 412

Portable Carpet Extractor

Model No.:
607185

Operator and Parts Manual

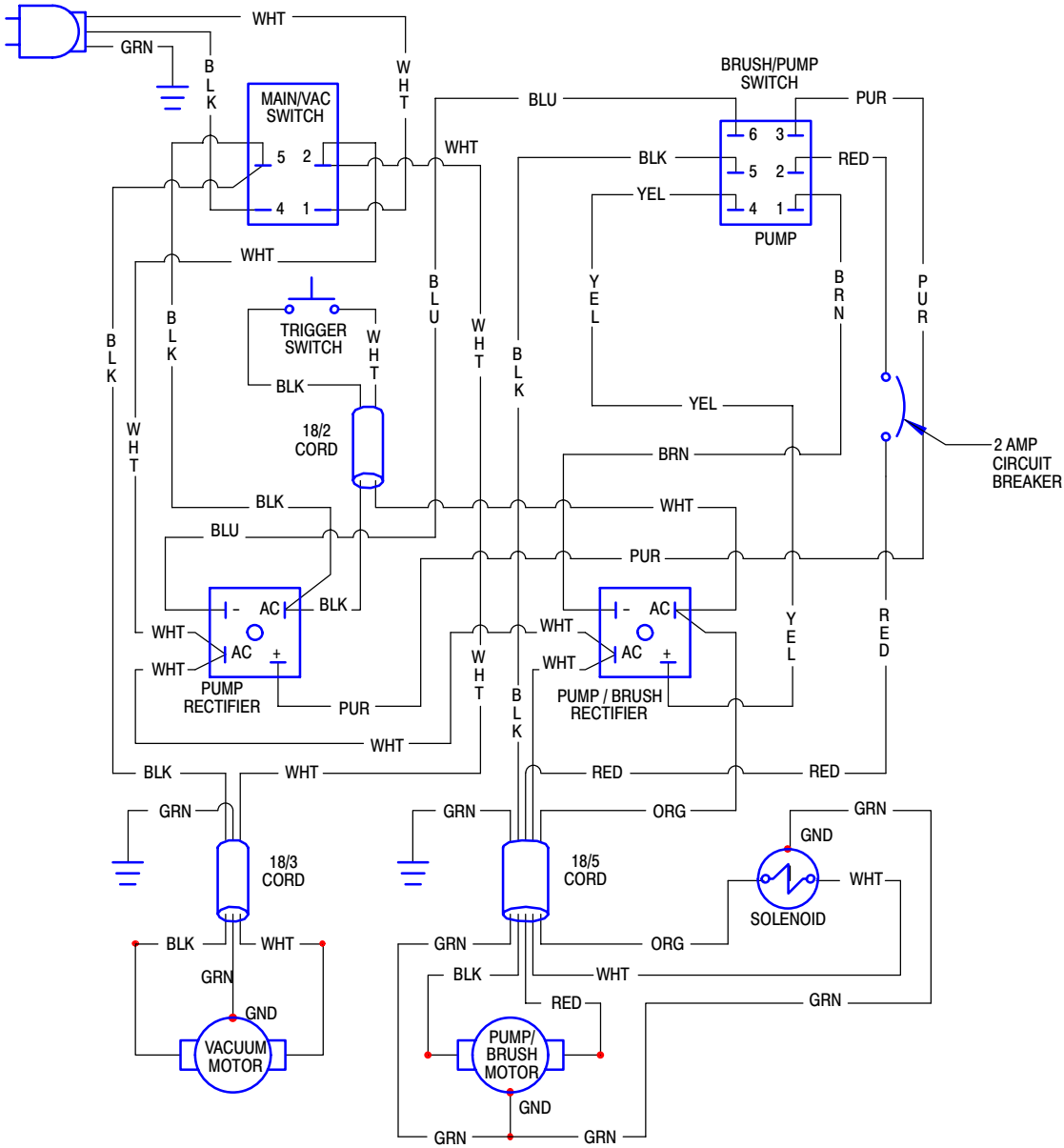


NOBLES
12875 RANSOM STREET
HOLLAND MI 49424 U.S.A.

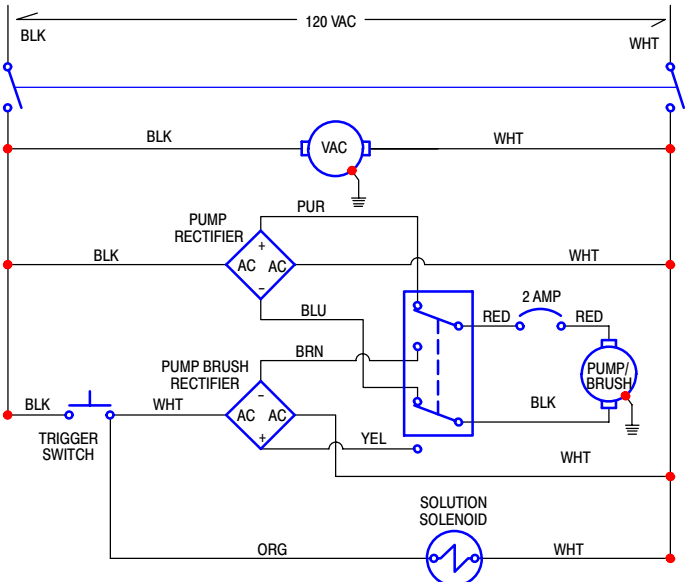
CUSTOMER SERVICE: 1-800-365-6625
FAX: 1-800-678-4240

607301
Rev. 00 (01-00)

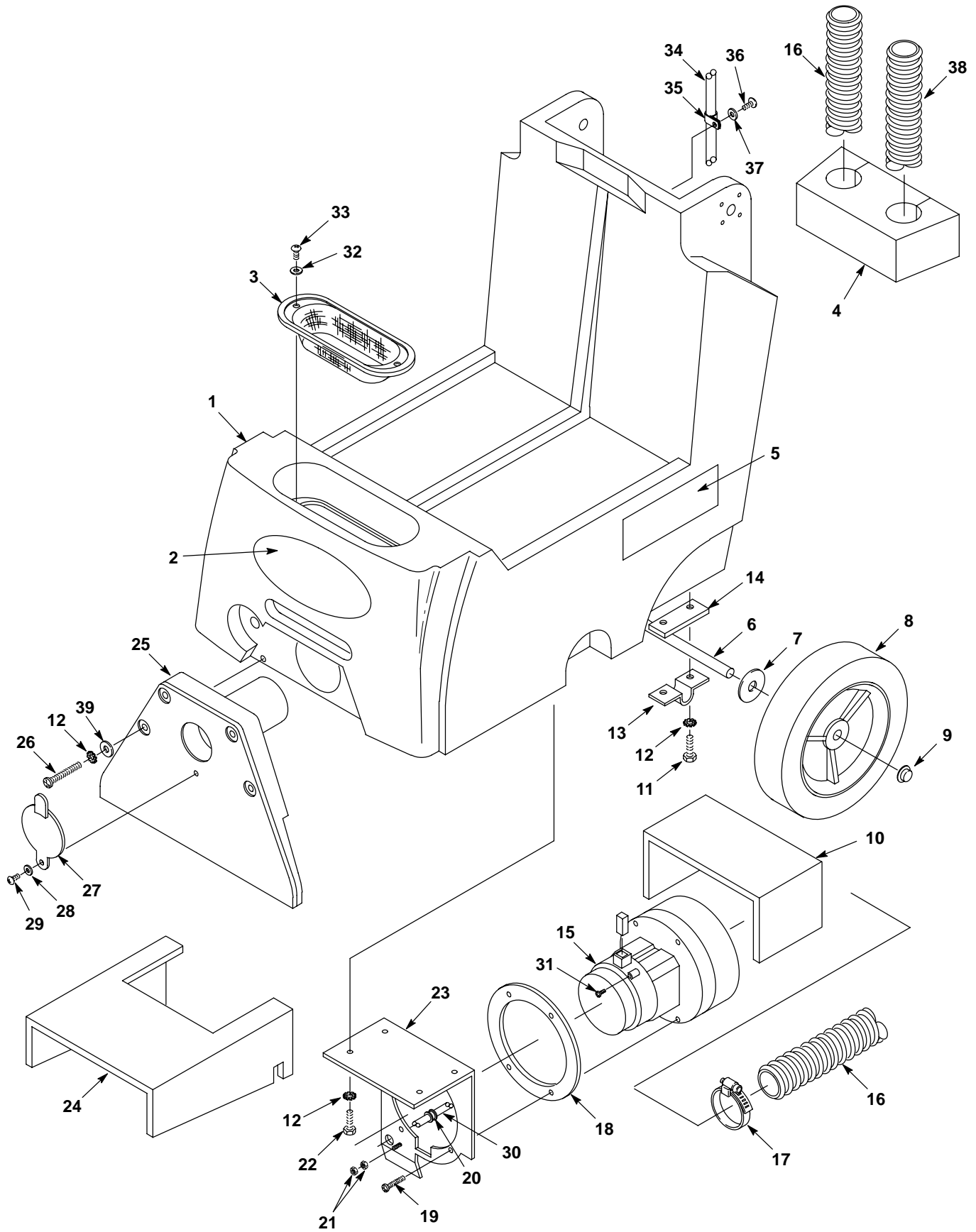
120V WIRING DIAGRAM



120V LADDER DIAGRAM



SOLUTION TANK GROUP



SOLUTION TANK GROUP

REF	PART #	DESCRIPTION	QTY.
1	608427	SOL TANK, RM-GREEN	1
2	608188	DECAL, "NOBLES"	1
3	607298	●STRAINER, SCREEN	1
4	609063	FOAM, SOUND	1
5	608453	DECAL, "MARKSMAN 412" SIDE	2
6	230739	AXLE, 1/2DIAX13-1/8	1
7	140045	WASHER, 1/2 FLAT	2
8	607277	●WHEEL, 8"DIA GRAY	2
9	103019	CAP, HUB	2
10	607181	FOAM, SOUND	1
11	608322	SCREW, M6X1.0X16	4
12	140052	WASHER, 1/4 EXT	12
13	230746	BRACKET, AXLE OFFSET	2
14	609111	PLATE, SHIM	2
15	607179	●VAC, MOTOR 5.7 2S 120V	1
	190155	●BRUSH, CARBON 2/PK	2
16	607276	HOSE, VAC 1-1/2IDX19"	1
17	140307	●CLAMP, HOSE	1
18	100143	●GASKET, VAC MOTOR	1
19	140340	SCREW, #10X5/8	4
20	14865	BUSHING	1

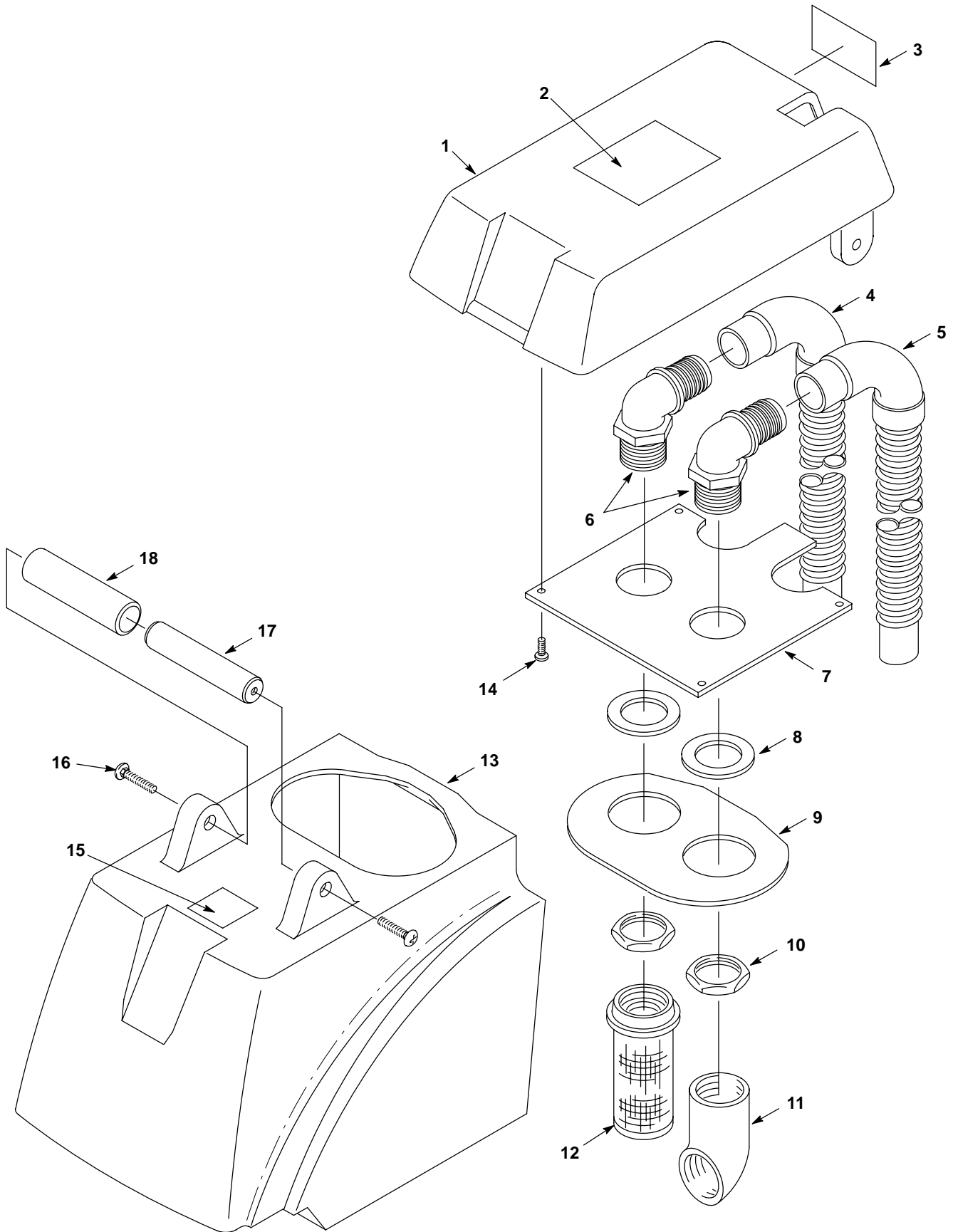
REF	PART #	DESCRIPTION	QTY.
21	140297	NUT, M5X.8 HEX	2
22	608322	SCREW, M6X1.0X16	4
23	607180	PLATE, VAC MOTOR MTG	1
24	609064	FOAM, SOUND	1
∇25	607170	●VAC, TOOL 13" ASSEMBLY	1
▲26	608324	SCREW, M6X1.0X40	4
▲27	607183	SEAL, CAP	1
▲28	140011	WASHER, 3/16 FLAT	1
▲29	140801	SCREW, 8-32X3/8	1
30	130646	CORD, 18/3X28	1
31	140897	SCREW, GROUND	1
32	140032	WASHER, #6 FLAT	2
33	140826	SCREW #6X3/4	2
34	608332	CORD, 18/2X76" BLACK	1
35	140324	CLAMP, CABLE 5/16ID	1
36	140340	SCREW, #10X5/8	1
37	140011	WASHER, 3/16 FLAT	1
38	607275	HOSE, VAC 1-1/2IDX33"	1
39	140027	WASHER, 5/16 FLAT	4

∇ ASSEMBLY

▲ INCLUDED IN ASSEMBLY

● RECOMMENDED STOCK ITEMS

RECOVERY TANK GROUP



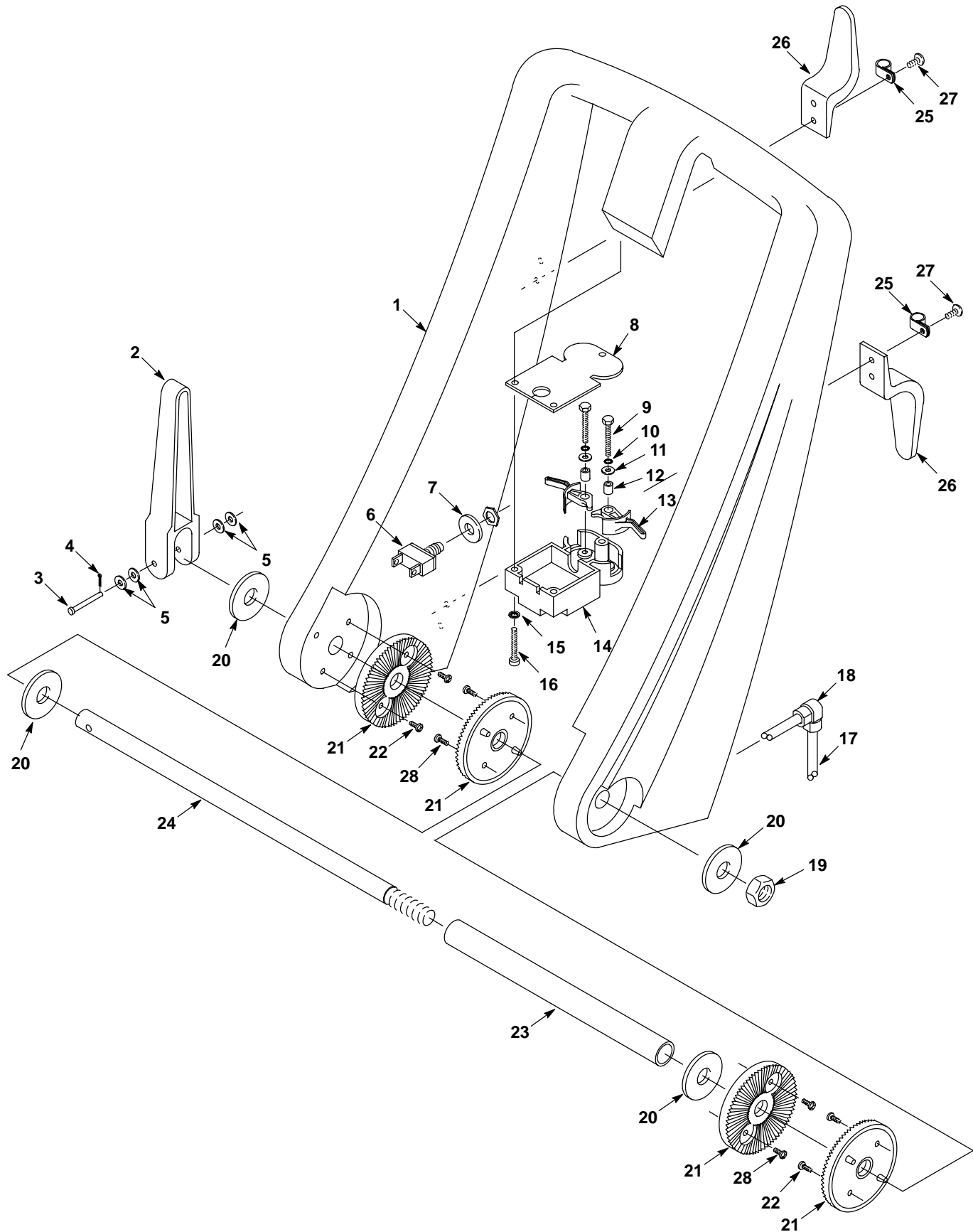
RECOVERY TANK GROUP

REF	PART #	DESCRIPTION	QTY.
1	608437	COVER, RM-GREEN	1
2	608329	DECAL, "INSTRUCTIONS"	1
3	120619	DECAL, "WARNING-EXTRACTORS"	1
4	607276	HOSE, VAC 1-1/2IDX19"	1
5	607275	●HOSE, VAC 1-1/2IDX33"	1
6	607297	FITTING, 1-1/2MX1-1/2H90	2
7	607172	COVER, PLATE	1
8	210234	●GASKET	2
9	607290	●GASKET, COVER PLATE	1

REF	PART #	DESCRIPTION	QTY.
10	210240	NUT, FLANGE	2
11	609065	FITTING, 1-1/2F 90PVC	1
12	609531	●FLOAT, SHUT-OFF (1)BALL	1
13	608432	REC TANK, RM-GREEN	1
14	607006	SCREW M4X.7X12	4
15	630420	DECAL, "FLAMMABLE MATERIAL"	1
16	608324	SCREW, M6X1.0X40	2
17	607294	BAR	1
18	102569	●GRIP, FOAM	1

● RECOMMENDED STOCK ITEMS

HANDLE GROUP



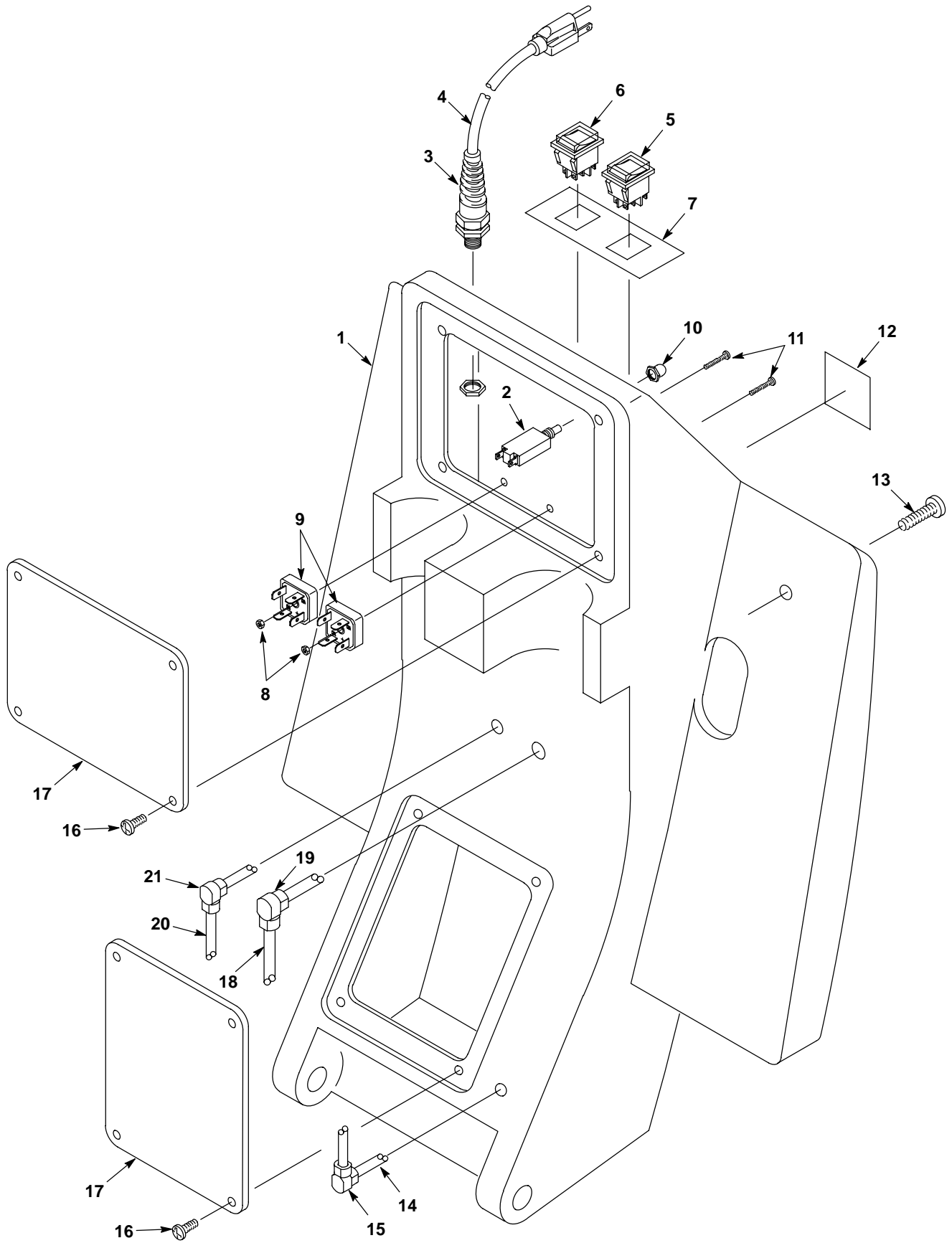
HANDLE GROUP

REF	PART #	DESCRIPTION	QTY.
1	608442	HANDLE, RM-GREEN	1
2	607315	●LEVER, CAMLOCK	1
3	607278	PIN, CLEVIS	1
4	140630	PIN, COTTER	1
5	140011	WASHER, 3/16 FLAT	4
6	130712	SWITCH, MOMENTARY PULSE	1
7	578430	WASHER, 1/2" FLAT	1
8	606349	GASKET, TRIGGER CONSOLE	1
9	069764190	SCREW, M3X.5X16	2
10	200662012	WASHER, M3 INT	2
11	578186000	WASHER, M4 FLAT	2
12	578082000	SPACER	2
13	578002000	ARM, TRIGGER	2
14	601429	CONSOLE, TRIGGER	1

REF	PART #	DESCRIPTION	QTY.
15	140023	WASHER, #8 INT	3
16	200070354	SCREW, M4X.7X30	3
17	608332	CORD, 18/2X76" BLACK	1
18	608323	BUSHING, STRAIN-RELIEF	1
19	200160019	NUT, M12	1
20	140045	WASHER, 1/2 FLAT	4
21	607175	●SERRATED PAD	4
22	604930	SCREW, M5X.8X10	4
23	608419	TUBE	1
24	607177	SHAFT	1
25	579223	CLAMP, CORD	2
26	230920.BK	HOOK, CORD	2
27	607006	SCREW, M4X.7X12	4
28	608322	SCREW, M6X1.0X16	4

● RECOMMENDED STOCK ITEMS

REAR PANEL GROUP



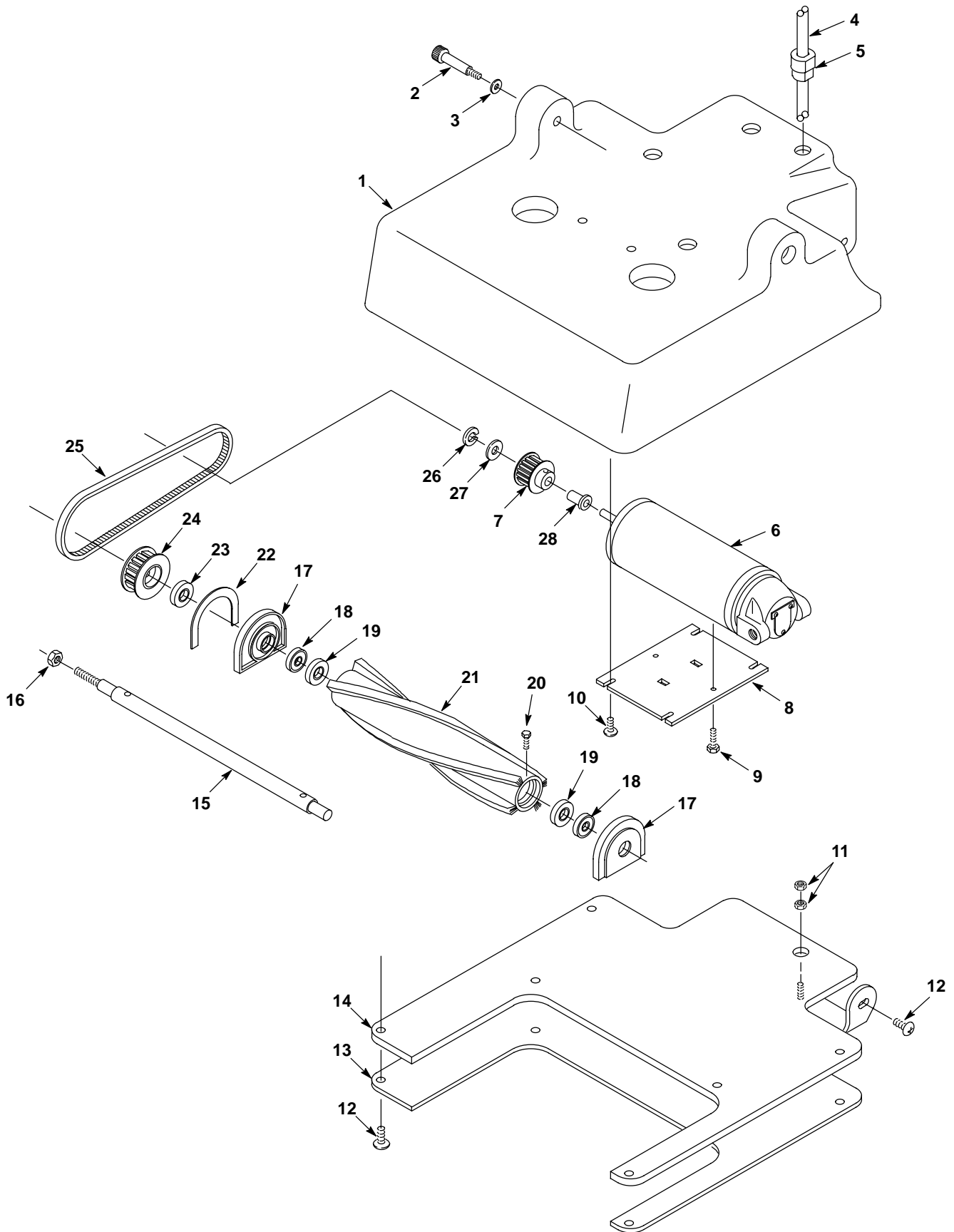
REAR PANEL GROUP

REF	PART #	DESCRIPTION	QTY.
1	608446	PANEL, REAR RM-BLACK	1
2	609080	●BREAKER, CIRCUIT 2A	1
3	130166	●GRIP, STRAIN-RELIEF W/NUT	1
4	130222	●CORD, 16/3X25' YELLOW	1
5	602670	●SWITCH, ROCKER	1
6	607282	●SWITCH, ROCKER ON/ON	1
7	607283	DECAL, "SWITCHES"	1
8	140336	NUT, 10-24	2
9	130304	●RECTIFIER, BRIDGE 600V 15AMP	2
10	578734	●SPLASHGUARD CRCT BREAKER	1
11	140335	SCREW, 10-24X1	2

REF	PART #	DESCRIPTION	QTY.
12	578729	DECAL, "READ MANUAL"	1
13	608322	SCREW, M6X1.0X16	2
14	608332	●CORD, 18/2X76"	1
15	608323	BUSHING, STRAIN-RELIEF	1
16	607006	SCREW, M4X.7X12	8
17	608420	COVER, PLATE	2
18	608333	CORD, 18/5X30" BLACK	1
19	130194	BUSHING, STRAIN-RELIEF	1
20	130646	CORD, 18/3X28" BLACK	1
21	608323	BUSHING, STRAIN-RELIEF	1

● RECOMMENDED STOCK ITEMS

BRUSH GROUP



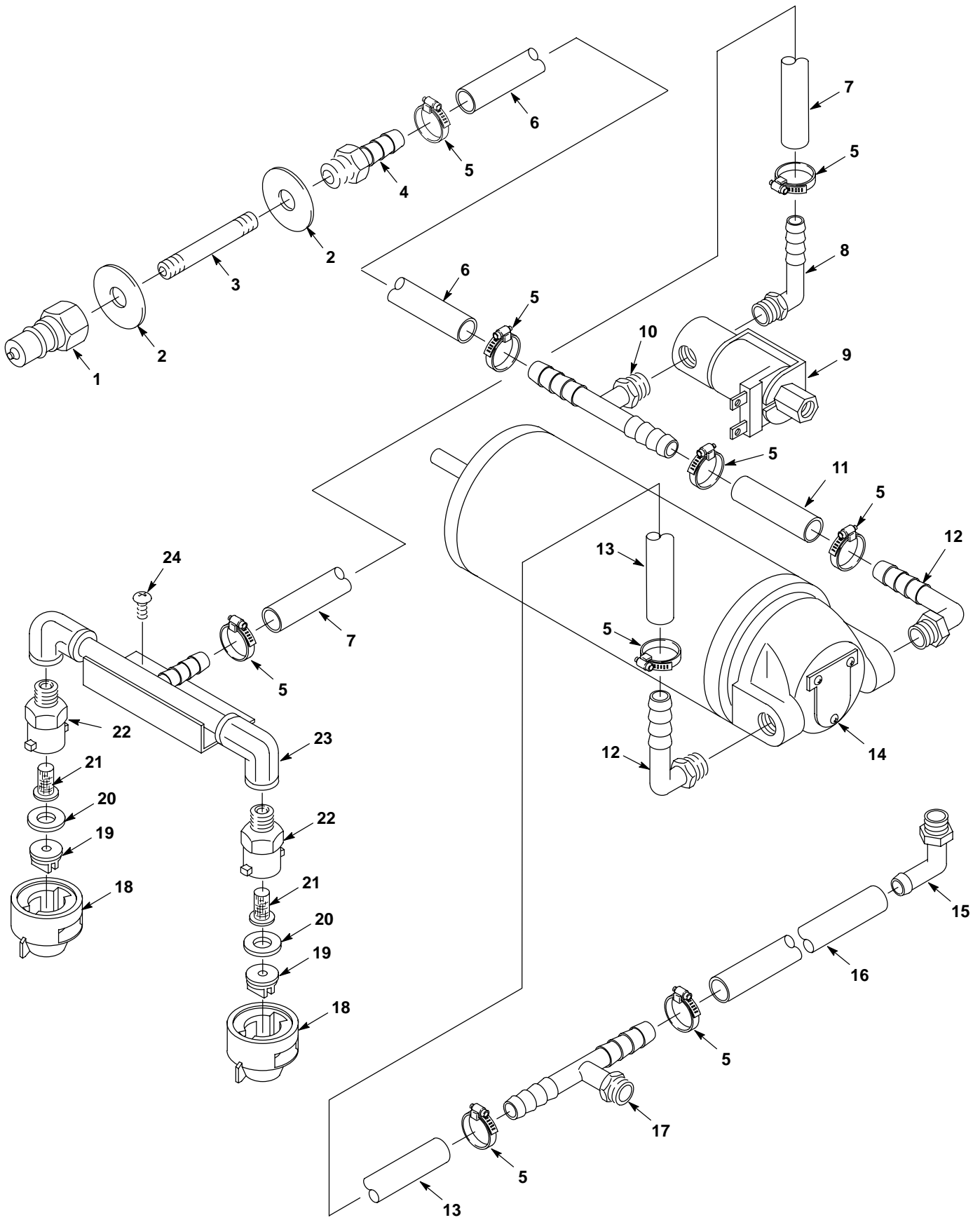
BRUSH GROUP

REF	PART #	DESCRIPTION	QTY.
1	608445	BASE, BRUSH RM-BLACK	1
2	200017494	SCREW, M8X30	2
3	140027	WASHER, 5/16 FLT	2
4	608333	CORD, 18/5X30" BLACK	1
5	28305	BUSHING, STRAIN-RELIEF	1
6	607173	●PUMP/BRUSH MOTOR, 120VDC	1
7	607174	●PULLEY	1
8	608335	PLATE, PUMP MTG	1
9	140887	SCREW, 10-24X3/8	2
10	604930	SCREW, M5X.8X10	4
11	140297	NUT	2
12	604930	SCREW, M5X.8X10	8
13	607182	PLATE, BRUSH BASE	1
14	607274	GASKET, BRUSH BASE	1

REF	PART #	DESCRIPTION	QTY.
15	230275	SHAFT, BRUSH 13"	1
16	140548	NUT, 5/16 FINJAM	1
17	230261	●BLOCK, BEARING	2
18	140125	●BEARING, BRUSH	2
19	100049	●SEAL, BRUSH BEARING	2
20	140554	SCREW, 1/4-20X3/4	4
21	607176	●BRUSH, 13"	1
22	100005	●GASKET, BEARING BLOCK	1
23	230363	SPACER	1
24	230505	●PULLEY, BRUSH DRIVE	1
25	230507	●BELT, BRUSH DRIVE	1
26	609474	CLIP, RETAINING	1
27	140027	WASHER, 5/16 FLAT	1
28	609473	SLEEVE	1

● RECOMMENDED STOCK ITEMS

SOLUTION GROUP



SOLUTION GROUP

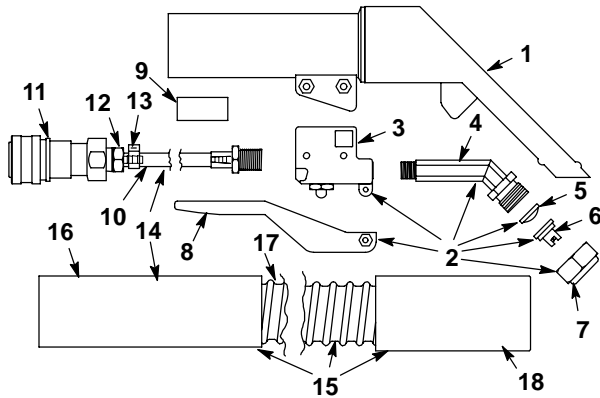
REF	PART #	DESCRIPTION	QTY.
1	150933	FITTING 1/4F QD SER60	1
2	140008	WASHER, 9/16 FLAT	2
3	150618	FITTING 1/4MX3"	1
4	150511	FITTING 1/4FX3/8H	1
5	140310	●CLAMP HOSE	9
6	606248	HOSE 3/8IDX5/8ODX14.5	1
7	606667	HOSE 3/8IDX5/8ODX10	1
8	150415	FITTING 1/4MX3/8H	1
9	210033	●VALVE SOLENOID 120V 60 HZ	1
10	572094000	FITTING 1/4MX3/8HX3/8H	1
11	609471	HOSE 3/8IDX5/8ODX2	1
12	150412	FITTING 3/8MX3/8H	2

REF	PART #	DESCRIPTION	QTY.
13	609470	HOSE 3/8IDX5/8ODX9	1
14	607173	●PUMP/BRUSH MOTOR 120VDC	1
15	609112	FITTING 1/4MX3/8H	1
16	608334	●HOSE SIGHT-GAGE/DRAIN	1
17	572094000	FITTING 1/4MX3/8HX3/8H	1
18	575282000	●CAP QUICK-JET	2
19	200964	●FITTING TIP 11003	2
20	575276000	●GASKET QUICK-JET	2
21	575603	●STRAINER CHECK-VALVE	2
22	575281000	●BODY, QUICK-JET	2
23	608421	TUBE, NOZZLE	1
24	604930	SCREW M5X.8X10	2

● RECOMMENDED STOCK ITEMS

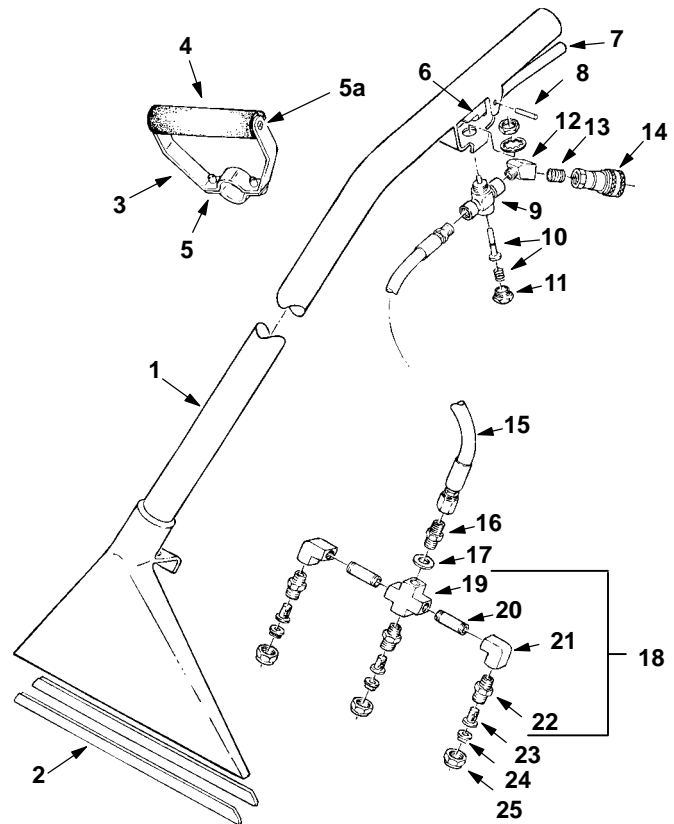
OPTIONS

HAND TOOL



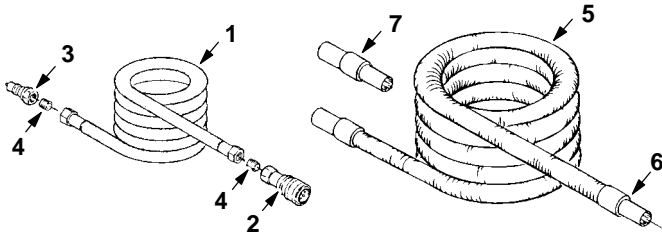
REF	PART #	DESCRIPTION	QTY.
	701403	TOOL, HAND WITH HOSE	1
1	608901	TOOL, HAND W/ TRIGGER ASM.	1
	608891	TOOL, HAND	1
∇2	608899	ASM., TRIGGER	1
▲3	608894	BODY, VALVE	1
▲4	608895	NOZZLE, SPRAY	1
▲5	608900	SCREEN	1
▲6	608896	TIP, SPRAY	1
▲7	608897	CAP	1
▲8	608898	TRIGGER	1
9	608892	SEAL, SOLUTION HOSE	1
10	560499	HOSE, SOLUTION	1
11	150913	PLUG, QCK. COUPLER – SER. 60	1
12	150514	HOSE BARB, 1/4M X 1/8H – BRASS	1
13	140349	CLAMP	1
14	–	ASM., HOSE VACUUM/SOLUTION	1
∇15	608905	ASM., VACUUM HOSE	1
▲16	609428	CUFF, HOSE 1.5 X 5.25	1
▲17	608903	HOSE, VACUUM 1.5	1
▲18	609440	CUFF, HOSE 1.5 X 3.5	1
	220040	BAG (NOT SHOWN)	1

FLOOR TOOL



REF	PART #	DESCRIPTION	QTY.
	600048	FLOOR TOOL (COMPLETE)	1
1	200403.BK	TOOL, FLOOR	1
2	200939	SHOES, S/S, FLOOR TOOL	2
∇3	200927	GRIP, ADJUSTABLE (COMPLETE)	1
▲4	200912	FOAM, GRIP	1
▲5	140259	SCREW, 1/4–20X5/8	2
▲5a	140834	SCREW, 1/4–20X3/4	2
6	200902	TRIGGER, FLOOR TOOL	1
7	200809	SLEEVE, TRIGGER	1
8	140605	PIN	1
	140520	NUT, PUSH (NOT SHOWN)	2
9	210150	VALVE, FLOW CONTROL	1
10	190603	KIT, VALVE PIN & SPRING	1
11	N/A	CAP, HEX, VALVE	1
12	150403	ELBOW, 1/4–45°	1
13	150615	NIPPLE, CLOSE 1/4	1
14	150913	COUPLER, QUICK SER. 60	1
15	160170	HOSE, SOLUTION, LP	1
16	150606	NIPPLE, HEX 1/4"	1
17	140058	WASHER	1
∇18	700062	ASM., SPRAY BAR	1
▲19	150700	CROSS	1
▲20	150600	NIPPLE	2
▲21	150401	ELBOW, 90° 1/4FX1/4F	2
▲22	200993	SPRAY BODY	3
23	200996	SCREEN, SPRAY BODY	3
24	200964	TIP	3
25	200994	CAP, SPRAY BODY	3

FLOOR TOOL SOLUTION AND VACUUM HOSES



REF	PART #	DESCRIPTION	QTY.
∇1	160185	HOSE, SOLUTION 15'	1
	160186	HOSE, SOLUTION 25'	1
▲2	150913	COUPLER, QUICK SER. 60	1
▲3	150933	PLUG, QUICK COUPLER	1
▲4	150615	NIPPLE	2
∇5	160400	HOSE, VACUUM 15' W/ CUFFS	1
	160401	HOSE, VACUUM 25' W/ CUFFS	1
▲6	160430	CUFF, HOSE 1–1/2"	2
7	160451	CONNECTOR, VACUUM HOSE 1–1/2"	1

∇ Assembly ▲ Included in Assembly