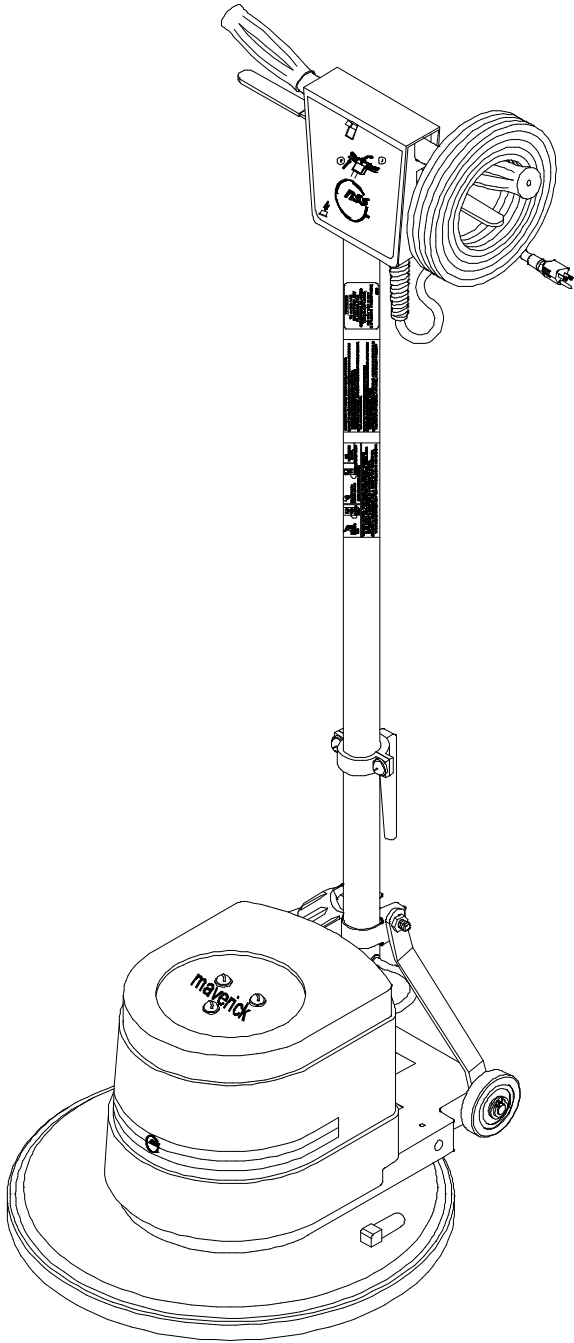
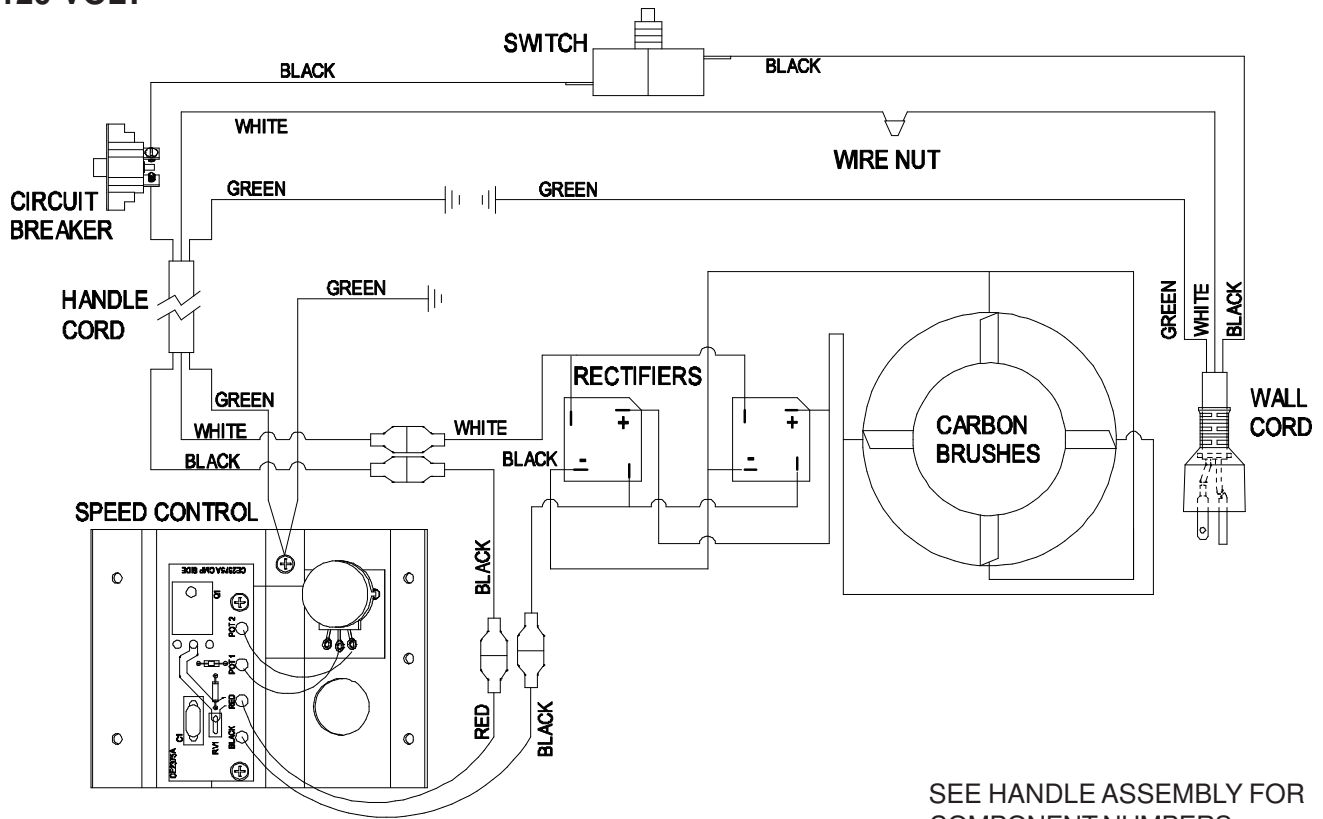


PARTS LIST
MAVERICK 300 STANDARD SPEED
FLOOR MACHINE



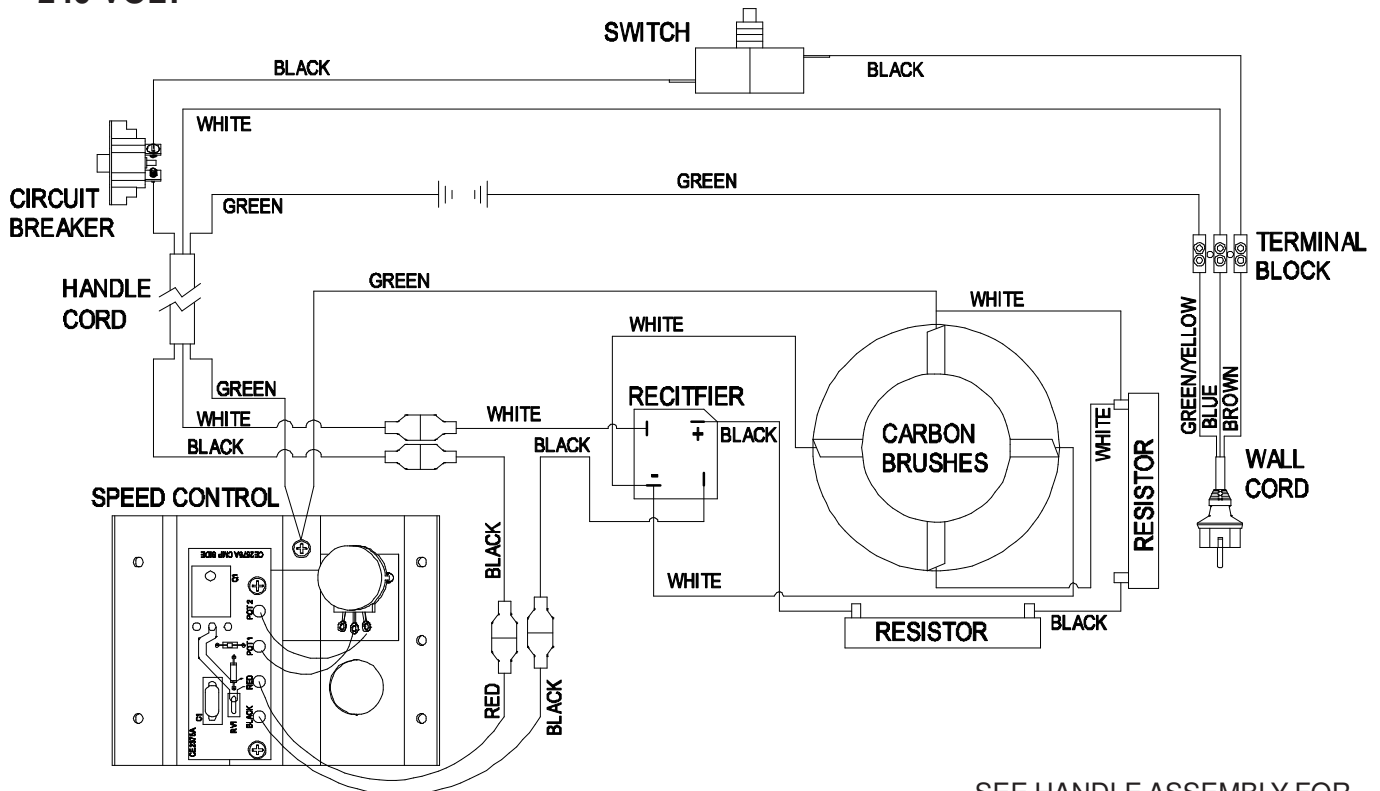
WIRE DIAGRAM - VARIABLE SPEED

120 VOLT



SEE HANDLE ASSEMBLY FOR COMPONENT NUMBERS

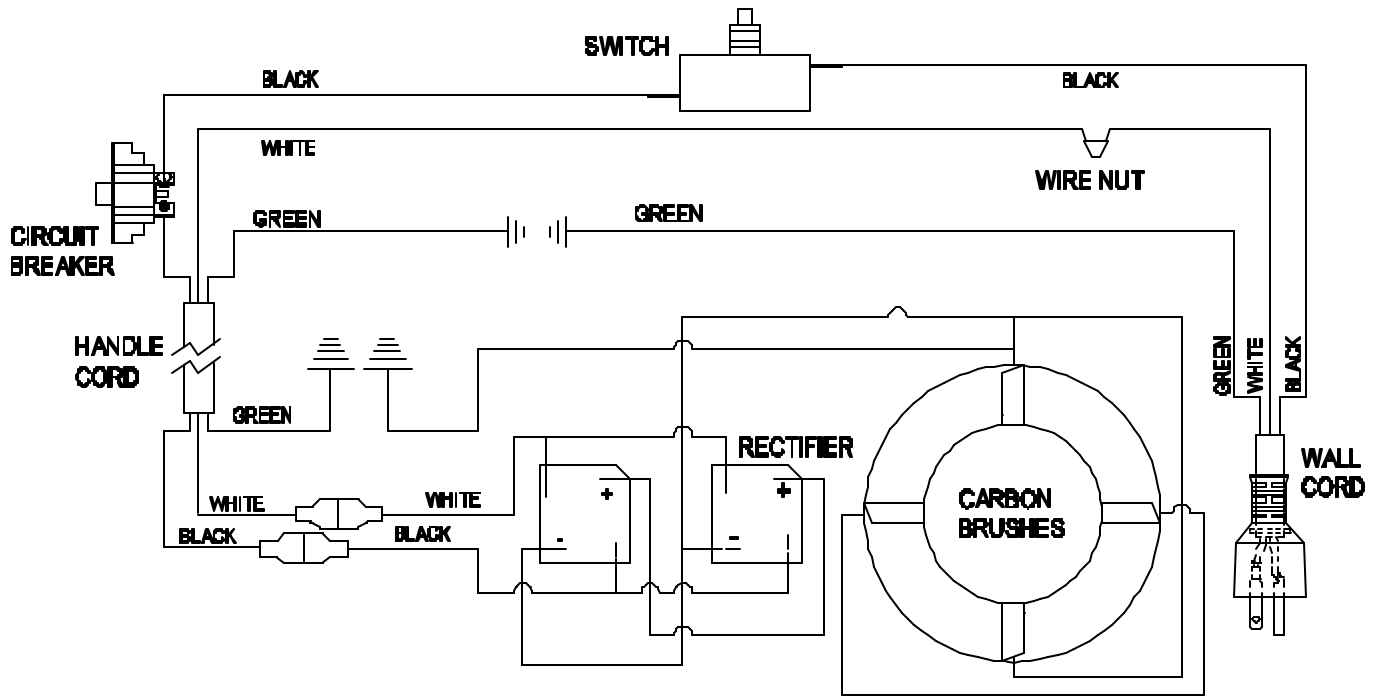
240 VOLT



SEE HANDLE ASSEMBLY FOR COMPONENT NUMBERS

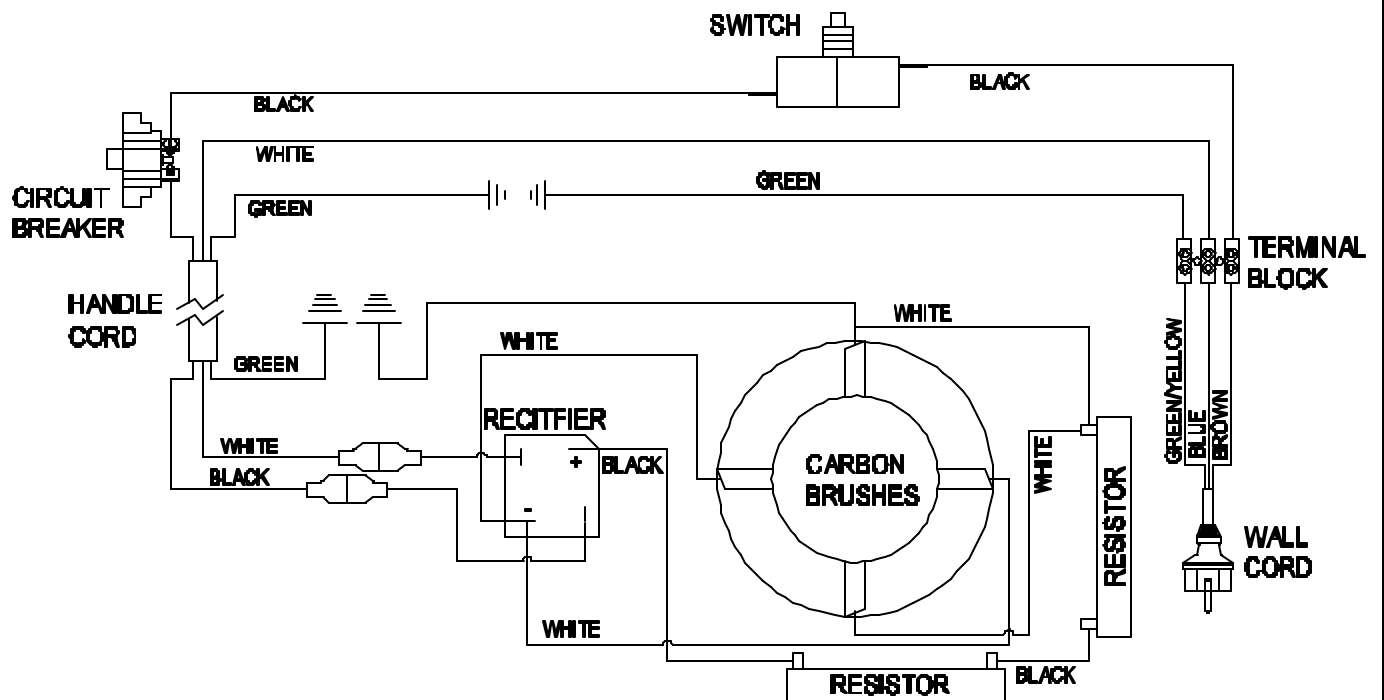
WIRE DIAGRAM - SINGLE SPEED

120 VOLT



SEE HANDLE ASSEMBLY FOR COMPONENT NUMBERS

240 VOLT

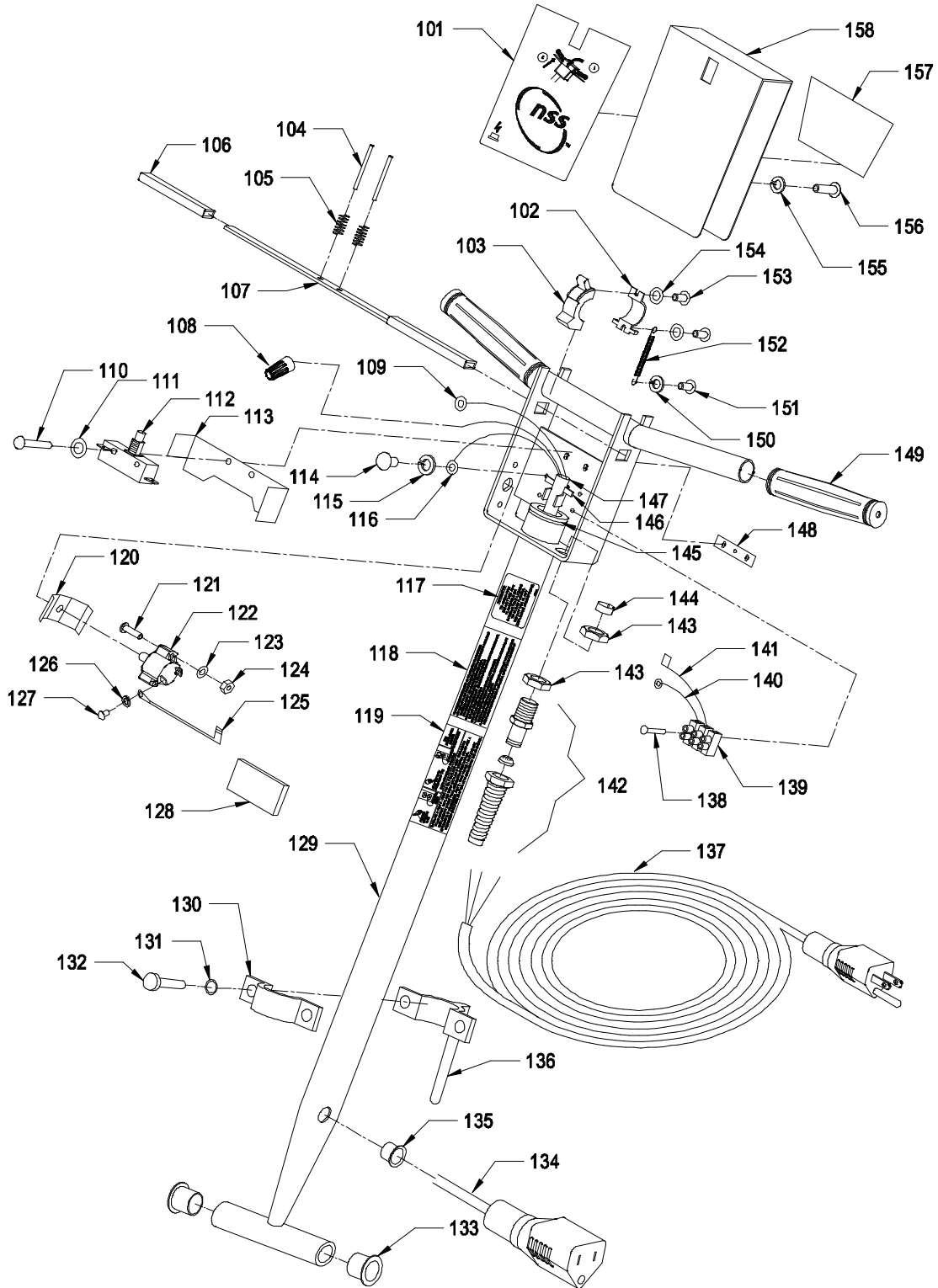


SEE HANDLE ASSEMBLY FOR COMPONENT NUMBERS

HANDLE ASSEMBLY

ITEM	PART NO.	PART DESCRIPTION	QTY.
	5490189	HANDLE ASSEMBLY - 120 VOLT	1
	5490679	HANDLE ASSEMBLY - 240 VOLT	1
101	5392421	DECAL - "SWITCH BOX - CIRCUIT BREAKER ICON"	1
102	5390756	LOCKOUT BRACKET	1
103	5390762	LOCK OUT	1
104	9120828	1/8 X 1 3/4 ROLL PIN	2
105	5390171	SWITCH LEVER SPRING	2
106	5390541	GRIP - SWITCH LEVER	2
107	5390776	SWITCH LEVER	1
108	5391321	WIRE NUT - ORANGE	1
109	0294031	# 8 RING TERMINAL - 120 VOLT ONLY	1
	5092331	FLAG TERMINAL - CRIMP ON - 240 VOLT ONLY	1
110	9120100	6-32 X 1 ROUND HEAD PHILLIPS MACHINE SCREW	2
111	9120130	6 EXTERNAL STAR LOCK WASHER	2
112	5390211	SWITCH	1
113	5390361	SWITCH INSULATOR	1
114	9120380	10-24 X 3/8 ROUND HEAD PHILLIPS MACHINE SCREW	1
115	9120320	10 SPLIT LOCK WASHER	1
116	0298981	# 10 RING TERMINAL 14-16 GAGE	1
117	5392401	DECAL - "WARNING - FIRE"	1
118	0190901	DECAL - "WARNING" - 120 VOLT ONLY	1
	0190921	DECAL - "ICON ADAPTOR" LABEL - 240 VOLT ONLY	1
119	0190911	DECAL - "GROUNDING" LABEL - 120 VOLT ONLY	1
120	5490441	INSULATION - BREAKER LEAD	1
121	9120430	10-24 X 3/4 ROUND HEAD PHILLIPS MACHINE SCREW	2
122	5490401	20 AMP CIRCUIT BREAKER - 120 VOLT ONLY	1
	5294581	8 AMP CIRCUIT BREAKER - 240 VOLT ONLY	1
123	9120320	10 SPLIT LOCK WASHER	1
124	9120360	10-24 HEX NUT WITH STAR LOCK WASHER	2
125	5490451	CIRCUIT BREAKER LEAD - 4"	1
126	9120200	8 SPLIT LOCK WASHER	1
127	9120223	8-32 X 1/4 PAN HEAD PHILLIPS MACHINE SCREW	1
128	5390511	FOAM PAD	1
129	5391891	HANDLE	1
130	5091636	CORD HOOK CLAMP	1
131	9120880	1/4 SPLIT LOCK WASHER	2
132	9121010	1/4-20 X 3/4 TRUSS HEAD PHILLIPS MACHINE SCREW	2
133	5090441	NYLON BUSHING	2
134	5490151	HANDLE CORD	1
135	5293131	GROMMET	1
136	5091682	CORD HOOK	1
137	5293791	CORD - 75 FEET - 14-3 - 120 VOLT ONLY	1
	0299671	SHUKO CORD - 75 FEET - 16-3 - 240 VOLT ONLY	1
138	9120080	6-32 X 3/4 ROUND HEAD PHILLIPS MACHINE SCREW - 240 VOLT ONLY	1
139	5391931	TERMINAL BLOCK - 240 VOLT ONLY	1
140	5391921	WIRE - GROUND - 240 VOLT ONLY	1
141	5391911	WIRE - DEAD MAN - 240 VOLT ONLY	1
142	5091671	STRAIN RELIEF - 120 VOLT	1
	0299531	STRAIN RELIEF - 240 VOLT	1
143	5390261	STRAIN RELIEF NUT - 120 VOLT	2
	0891131	STRAIN RELIEF NUT - 240 VOLT	1
144	5092371	STRAIN RELIEF CORD CLAMP - 120 VOLT	1
	0299661	STRAIN RELIEF CORD CLAMP - 240 VOLT	1
145	5091656	7/8 I.D. X 1 3/8 O.D. X .112 THICK FLAT WASHER	1
146	5091661	CORD CLAMP	1
147	8791070	VINYL HOSE	1
148	9120025	6-32 DOUBLE HOLE SWITCH SPEED NUT	1
149	5091611	HANDLE GRIP	2
150	9120320	10 SPLIT LOCK WASHER	1

HANDLE ASSEMBLY

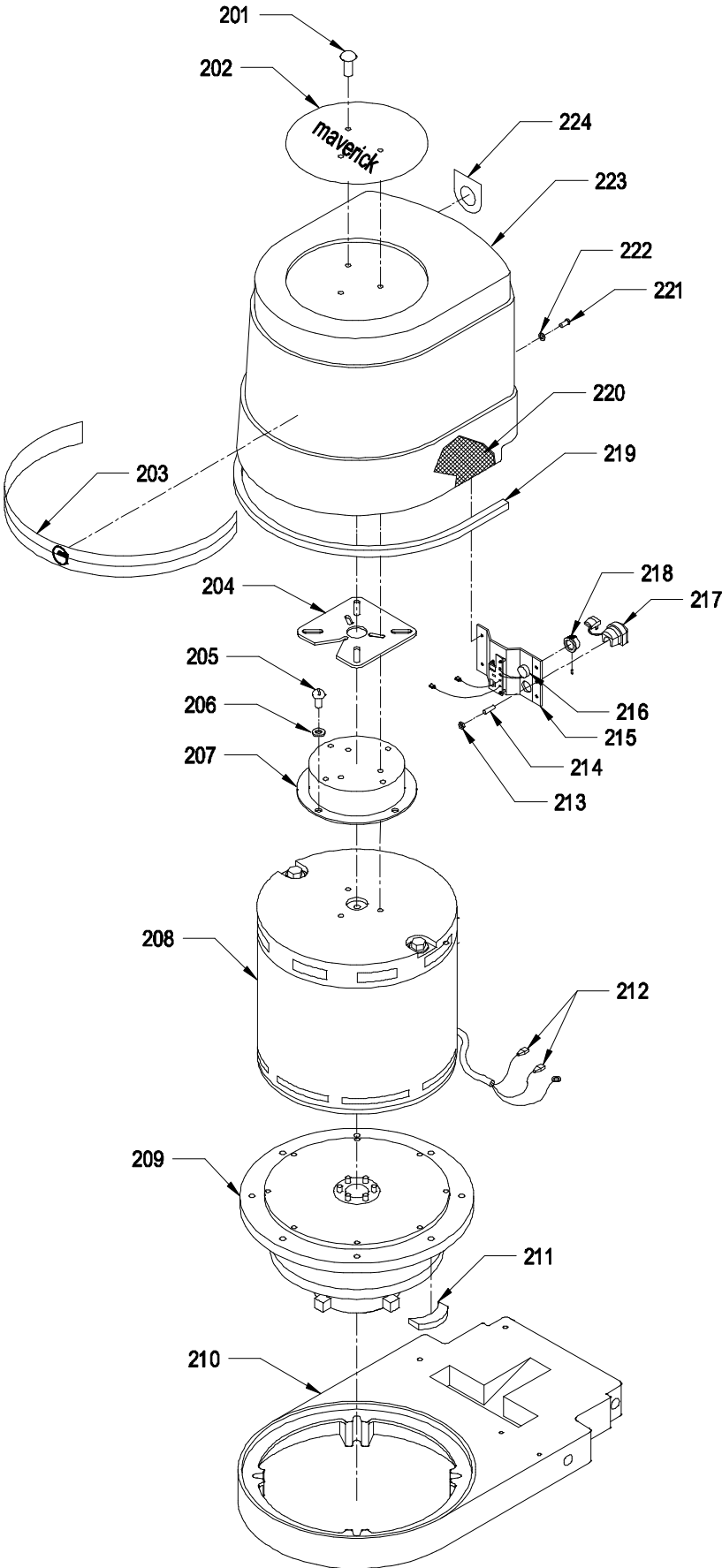


151	9120380	10-24 X 3/8 ROUND HEAD PHILLIPS MACHINE SCREW	1
152	5092561	SPRING	1
153	9120050	6-32 X 5/16 ROUND HEAD PHILLIPS MACHINE SCREW	2
154	9120130	6 EXTERNAL STAR LOCK WASHER	2
155	9120320	10 SPLIT LOCK WASHER	1
156	9120430	10-24 X 3/4 ROUND HEAD PHILLIPS MACHINE SCREW	1
157	5392471	DECAL - "OPERATION"	1
158	5391873	SWITCH BOX COVER	1

UPPER BASE ASSEMBLY

ITEM	PART NO.	PART DESCRIPTION	QTY.
201	9120510	10-24 X 1/2 TRUSS HEAD PHILLIPS MACHINE SCREW	3
202	-----	DECAL KIT - "TOP COVER"	1
203	5296451	DECAL KIT - "FRONT STRIP"	1
204	5293951	CORK PAD	1
205	9120220	8-32 X 3/8 ROUND HEAD PHILLIPS MACHINE SCREW	4
206	9120180	8 INTERNAL STAR LOCK WASHER	4
207	5490113	STANDOFF	1
	5491801	MOTOR AND GEAR - 120 VOLT - 1 1/2 H.P.	1
208	5490021	MOTOR ONLY - 120 VOLT - 1 1/2 H.P.	1
209	5490031	GEAR ONLY - 3 IDLER	1
	5490719	MOTOR AND GEAR - 240 VOLT - 1 1/2 H.P.	1
208	5490701	MOTOR ONLY - 240 VOLT - 1 1/2 H.P.	1
209	5490031	GEAR ONLY - 3 IDLER	1
210	5390013	BASE	1
211	5091691	RUBBER PAD	4
212	5490161	FULLY INSULATED FEMALE TERMINAL 14-16 GAGE	2
213	9120690	10-32 HEX NUT WITH STAR LOCK WASHER	1
214	9120650	10-32 X 3/4 SET SCREW - CUP POINT	1
215	5490079	SPEED CONTROL - 120 VOLT - INCLUDES:	1
	5490061	SPEED CONTROL BRACKET	1
216	5490241	POTENTIOMETER	1
215	5490641	SPEED CONTROL - 240 VOLT - INCLUDES:	1
	5490061	SPEED CONTROL BRACKET	1
216	5490241	POTENTIOMETER	1
217	5293941	HEYCO STRAIN RELIEF	1
218	5490131	KNOB WITH SET SCREW	1
219	8891080	3/16" X 5/16" NEOPRENE GASKET	2
220	5490191	FELT - INSIDE COVER	1
221	9120740	10-32 X 3/8 TRUSS HEAD PHILLIPS MACHINE SCREW	4
222	9120495	10 INTERNAL STAR LOCK WASHER	4
223	5490041	MOTOR COVER WITH BAFFLE	1
224	5392361	DECAL KIT - "SPEED CONTROL"	1

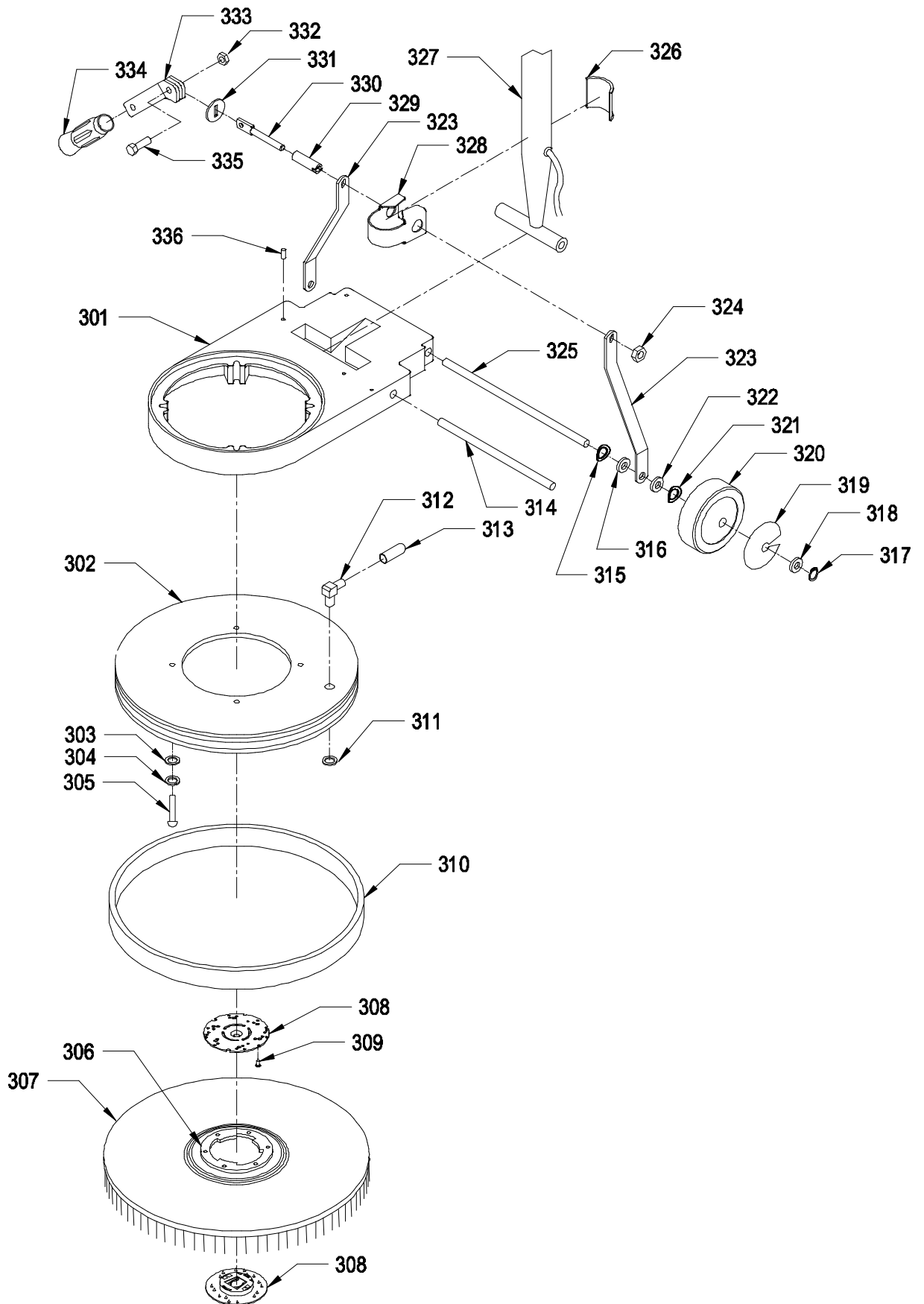
UPPER BASE ASSEMBLY



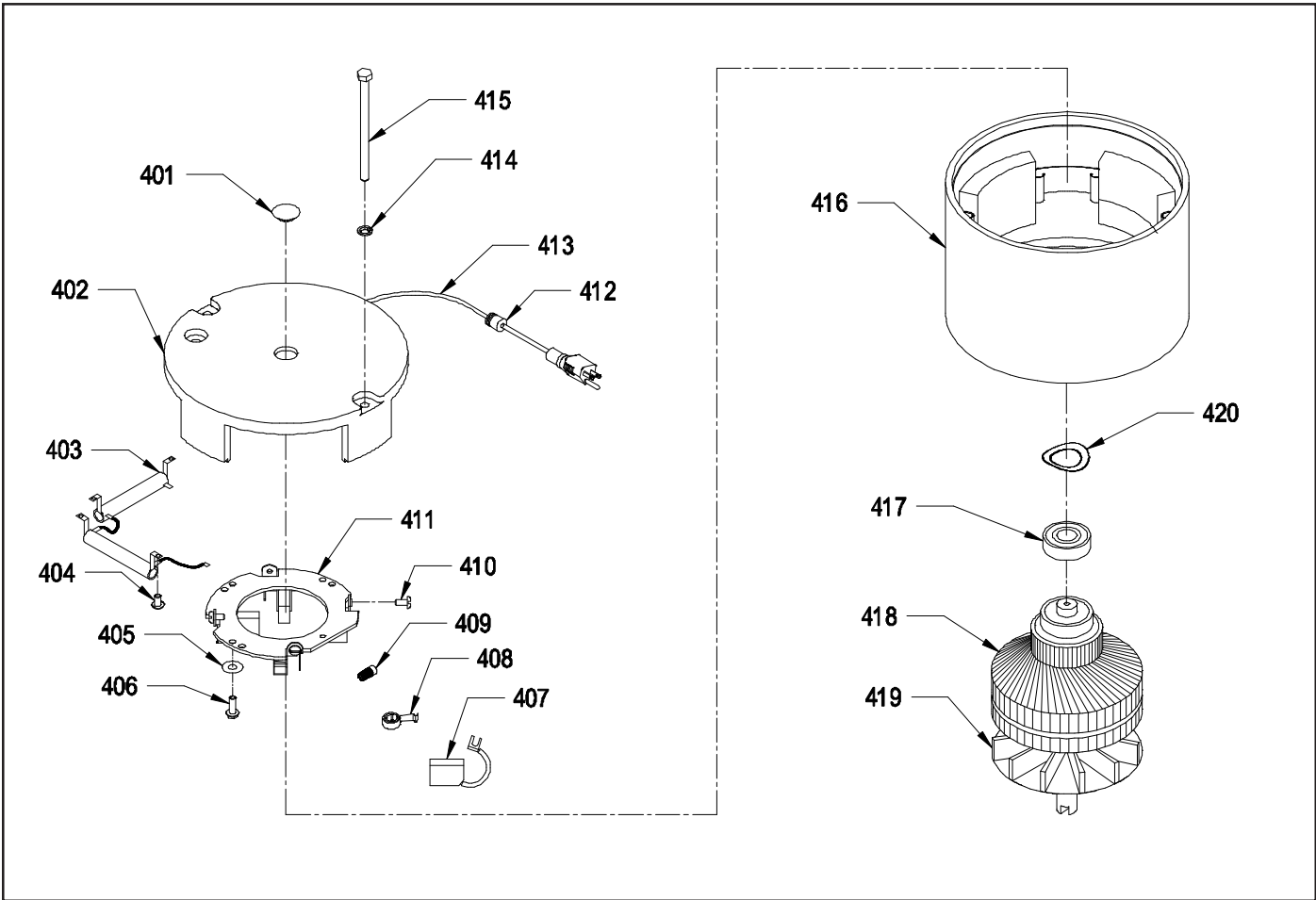
LOWER BASE ASSEMBLY

ITEM	PART NO.	PART DESCRIPTION	QTY.
301	5390013	BASE	1
302	5090045	SKIRT - 17"	1
	5090065	SKIRT - 20"	1
303	9121390	11/32 I.D. X 11/16 O.D. X .051/.080 THICK FLAT WASHER (5/16)	4
304	9121520	5/16 SPLIT LOCK WASHER	4
305	9121545	5/16-18 X 2 1/2 SOCKET HEAD CAP SCREW	4
306	2890971	PLASTIC CLUTCH PLATE - 5" DIAMETER - 6 HOLES - BLACK	1
307	2897551	17" HIGH SPEED PAD DRIVER	1
	2892551	20" HIGH SPEED PAD DRIVER	1
308	5990731	SPRING CLIP PAD HOLDER SET - INCLUDES:	1
309	9120140	#6 X 5/8 PAN HEAD PHILLIPS SHEET METAL SCREW	3
310	5090371	BUMPER - 17"	1
	5090401	BUMPER - 20"	1
311	5092641	RETAINING RING	1
312	5092632	90 DEGREE SOLUTION FEED TUBE	1
313	5092531	SOLUTION FEED TUBE CAP	1
314	5390496	HANDLE PIVOT BAR	1
315	9122705	1/2 I.D. X 3/4 O.D. X .01 THICK - 1 WAVE SPRING WASHER (1/2)	2
316	5390811	1/2 I.D. X 1 O.D. X .07 THICK FLAT WASHER - NYLATRON	2
317	9122496	RETAINING RING	2
318	9122465	.516 I.D. X .813 O.D. X .027/.030 THICK FLAT WASHER	2
319	5090491	DECAL KIT - "WHEEL COVER"	1
320	5092591	WHEEL - 5" - WITH PLASTIC BEARING	2
321	9122705	1/2 I.D. X 3/4 O.D. X .01 THICK - 1 WAVE SPRING WASHER (1/2)	2
322	5390811	1/2 I.D. X 1 O.D. X .07 THICK FLAT WASHER - NYLATRON	2
323	5390026	HANDLE BRACE	2
324	9122140	3/8-16 HEX NUT WITH NY-LOK INSERT	1
325	5390136	AXLE	1
326	5390826	TUBE CLAMP SHOE	1
327	5391891	HANDLE	1
328	5390043	TUBE CLAMP	1
329	5390201	RUBBER TUBING	1
330	5390151	FLATTENED CLAMP BOLT	1
331	0393131	SLOTTED WASHER	1
332	9121420	5/16-18 HEX NUT	1
333	0393121	CLAMP LEVER	1
334	5091621	HANDLE GRIP	1
335	9121680	5/16-18 X 1 HEX BOLT	1
336	9120850	1/4-20 X 5/16 SET SCREW - KNURL POINT	1

LOWER BASE ASSEMBLY

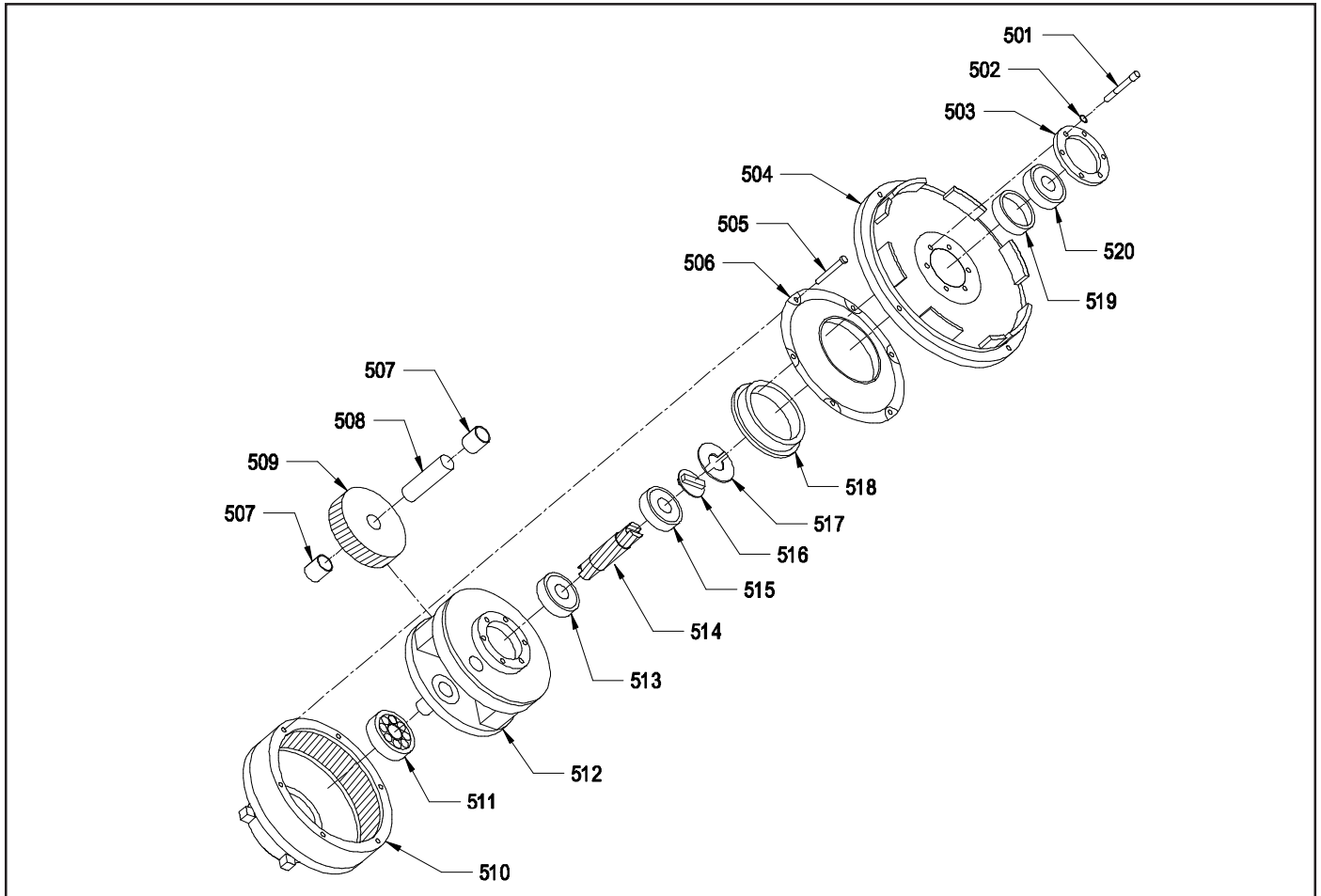


MOTOR ASSEMBLY



<u>ITEM</u>	<u>PART NO.</u>	<u>PART DESCRIPTION</u>	<u>QTY.</u>
401	—	PLUG - NOT AVAILABLE	1
402	5294401	TOP END BELL ASSEMBLY WITH PIGTAIL	1
	5294111	TOP END BELL ONLY	1
403	5492741	RECTIFIER - 60 AMP	2
404	9120260	8-32 X 3/4 ROUND HEAD PHILLIPS MACHINE SCREW	1
405	9120330	10 EXTERNAL STAR LOCK WASHER	2
406	9120771	10-32 X 5/8 PAN HEAD PHILLIPS MACHINE SCREW	2
407	5294051	CARBON BRUSHES	4
408	5293881	BRUSH SPRING	4
409	5391321	WIRE NUT - ORANGE	1
410	9120560	10-24 X 1/4 BINDING HEAD SLOT MACHINE SCREW - BRASS	4
411	5490421	BRUSH RING ASSEMBLY WITH DUAL RECTIFIERS	1
412	5293941	HEYCO STRAIN RELIEF	1
413	5990511	CORD	1
414	9120880	1/4 SPLIT LOCK WASHER	2
415	5492801	1/4-20 X 7 HEX WASHER HEAD THRU BOLT	2
416	5294121	FRAME WITH MAGNETS	1
417	5092041	BEARING - TOP	1
418	5294131	ARMATURE AND VENT FAN ASSEMBLY - 120 VOLT	1
	5294741	ARMATURE AND VENT FAN ASSEMBLY - 240 VOLT	1
419	4491731	VENT FAN	1
420	9123105	1 3/16 I.D. X 1 1/2 O.D. X .018 THICK - 2 WAVE SPRING WASHER (1 3/16)	2

GEAR BOX ASSEMBLY



ITEM	PART NO.	PART DESCRIPTION	QTY.
501	9120774	10-32 X 1 3/16 SOCKET HEAD CAP SCREW	6
502	9120495	10 INTERNAL STAR LOCK WASHER	6
503	5391021	BEARING RETAINER PLATE	1
504	5391101	MOTOR END BELL	1
505	9120430	10-24 X 3/4 ROUND HEAD MACHINE SCREW	6
506	5391131	GEAR HOUSING COVER	1
507	5391171	IDLER SHAFT BEARING	6
508	5391181	IDLER SHAFT	3
509	5391191	IDLER GEAR	3
510	5391231	GEAR HOUSING	1
511	5391201	LOWER BEARING	1
512	5391161	3 IDLER CAGE	1
513	5391031	BEARING	3
514	5391071	PINION - 13 TEETH	1
515	5391031	BEARING	3
516	5391051	ODUM COUPLING	1
517	5391251	SHAFT WASHER	1
518	5391141	BEARING - GEAR HOUSING	1
519	5391041	BEARING SPACER	1
520	5391031	BEARING	3

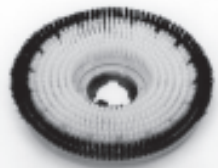
ACCESSORIES



- 2890101 PLASTIC CLUTCH PLATE - 5" DIAMETER - 6 HOLES
- 2890981 PLASTIC CLUTCH PLATE - 4" DIAMETER - 3 HOLES
- 2890991 ALUMINUM CLUTCH PLATE - 5" DIAMETER - 6 HOLES
- 2893001 ALUMINUM CLUTCH PLATE - 4" DIAMETER - 3 HOLES



- 2897211 17" POLY BACK TUFTED PAD DRIVER
- 2897601 17" STRUCTURAL FOAM PAD DRIVER
- 2897201 17" POLY BACK NYLON FILL SCRUB BRUSH - LIGHT TO MEDIUM SCRUB
- 2897711 17" POLY BACK NYLON GRIT FILL SCRUB BRUSH - HEAVY CONCRETE SCRUB
- 2897821 17" POLY BACK NYLON - SOFT SCRUB BRUSH - CARPET ONLY
- 2897901 17" POLY BACK SCRUB GRIT BRUSH - MILD TO MEDIUM SCRUB



- 2892211 20" POLY BACK TUFTED PAD DRIVER
- 2892601 20" STRUCTURAL FOAM PAD DRIVER
- 2892201 20" POLY BACK NYLON FILL SCRUB BRUSH - LIGHT TO MEDIUM SCRUB
- 2892651 20" POLY BACK NYLON FILL SCRUB BRUSH - WITH GUIDE FOR CARPET SHAMPOOING
- 2892711 20" POLY BACK NYLON GRIT FILL SCRUB BRUSH - HEAVY CONCRETE SCRUB
- 2892031 20" PLASTIC BACK BASSINE SCRUB BRUSH - GENERAL SCRUB
- 2892701 20" POLY BRUSH - SHOWER FEED - STANDARD CARPET SCRUB
- 2892901 20" POLY BACK SCRUB GRIT BRUSH - MILD TO MEDIUM SCRUB



- NOTE: ALL PADS COME 5 PADS PER CASE
- 7991751 17" LITE BLUE POLISH/BURNISH PAD - SOFT FINISH
 - 7991741 17" UHS CLEAN BUFF PAD - REMOVE SCUFF MARKS NOT FINISH
 - 7991731 17" BLUE SCRUB PAD - TOP SCRUB AND LIGHT FINISH REMOVAL
 - 7991721 17" GREEN SCRUB PAD - HEAVY FINISH REMOVAL
 - 7991701 17" BLACK STRIP PAD - REMOVES FINISH COMPLETELY

- 7992051 20" LITE BLUE POLISH/BURNISH PAD - SOFT FINISH
- 7992041 20" UHS CLEAN BUFF PAD - REMOVE SCUFF MARKS NOT FINISH
- 7992031 20" BLUE SCRUB PAD - TOP SCRUB AND LIGHT FINISH REMOVAL
- 7992021 20" GREEN SCRUB PAD - HEAVY FINISH REMOVAL
- 7992001 20" BLACK STRIP PAD - REMOVES FINISH COMPLETELY
- 7992011 20" BROWN STRIP PAD - REMOVES FINISH COMPLETELY



- 2890201 SPRAY BUFF APPLICATOR - PUMP UP TYPE

- 5094751 DELUXE SOLUTION TANK - 4 GALLON WITH BRASS VALVES
- 5094761 DELUXE SOLUTION TANK - 2 GALLON WITH BRASS VALVES



NSS ® Enterprises, Inc.

3115 Frenchmens Road, Toledo, Ohio 43607
 PHONE (419) 531-2121 FAX (419) 531-3761

NSS ® Enterprises, Inc. European Distribution Centre

Unit II, Pinfold Trading Estate * 55 Nottingham Road
 STAPLEFORD, NOTTINGHAM NG9 8AD ENGLAND U.K.
 PHONE: (44) 0115 939 1568 * FAX: (44) 0115 949 0615