



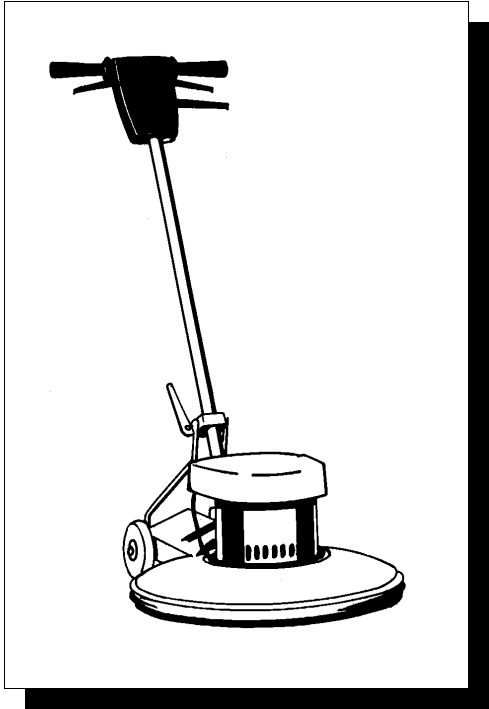
MERITTM

FLOOR POLISHER

Owner's Guide

Contents:

- 1 Warnings - Product Description
- 2 Operation / Maintenance / Service
- 3 Troubleshooting
- 4 Main Assembly
- 6 Handle Assembly
- 8 Wiring Diagrams
- 9 Optional Equipment & Notes
- 10 Warranty



WARNING OF POTENTIAL INJURY:

This product contains moving parts. To reduce the risk of injury unplug the machine before servicing.

Whenever repairs are made ensure electrical connections are correct and wiring matches APPROPRIATE diagram before plugging machine into an electrical outlet.

CAUTION:

- 1.) See the Owner's Guide for complete operating instructions.
- 2.) Maintenance and repairs must only be done by qualified personnel.
- 3.) Using non-Windsor parts to repair this machine will void the warranty.

QUEST® ... for Continuous Improvement.
Windsor's Quality Management System is Certified ISO 9001.

Record model and serial number located on data label. Refer to these numbers when calling Windsor dealer for parts or service.

MODEL : _____

SERIAL NO. : _____

PURCHASE DATE : _____

REV.



98295 7/1/97

INSPECTION

Please carefully unpack and inspect your machine for shipping damage. Each unit is operated and thoroughly inspected before shipment, and any damage is the responsibility of the delivering carrier who should be notified immediately.

ELECTRICAL

This rotary polisher is designed to operate on a standard 15 amp, 115 volt, 60 hz, AC household current. Check that the voltage shown on the serial number plate is suitable for the supply available. Voltages below 105 volts or above 125 volts could cause damage to the motor.

NOTE: 230/250 volt 50 hz models are available.

GROUNDING INSTRUCTIONS

This appliance must be grounded. If it should malfunction or break down, grounding provides a path of least resistance for electric current to reduce the risk of electric shock. This appliance is equipped with a cord having an equipment-grounding conductor and grounding plug. The plug must be inserted into an appropriate outlet that is properly installed and grounded in accordance with all local codes and ordinances.

WARNING:

Improper connection of the equipment-grounding conductor can result in a risk of electric shock. Check with a qualified electrician or service person if you are in doubt as to whether the outlet is properly grounded. Do not modify the plug provided with the appliance - if it will not fit the outlet, have a proper outlet installed by a qualified electrician.

This appliance is for use on a nominal 120-volt circuit, and has a grounded plug that looks like the plug in "Fig. A" below. A temporary adaptor that looks like the adaptor in "Fig. C" below may be used to connect this plug to a 2-pole receptacle as shown in "Fig. B" below, if a properly grounded outlet is not available. The temporary adaptor should be used only until a properly grounded outlet (Fig. A) can be installed by a qualified electrician. The green colored rigid ear, lug, or the like extending from the adaptor must be connected to a permanent ground such as a properly grounded outlet box cover. Whenever the adaptor is used, it must be held in place by a metal screw.

PROPER GROUNDING CONNECTION

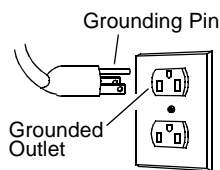


Fig. A

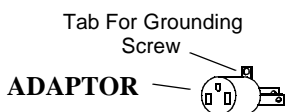


Fig. C

GROUNDING CONNECTION USING AN ADAPTOR

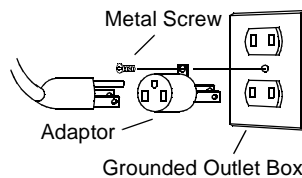


Fig. B

NOTE: Adaptors are not allowed in Canada.

OPERATION

CAUTION: For Indoor Use Only.

To prevent possible damage to the floor when using the Brush option, use water or other approved cleaning solution while operating.

When using the pad option, always keep the machine moving when in contact with the floor.

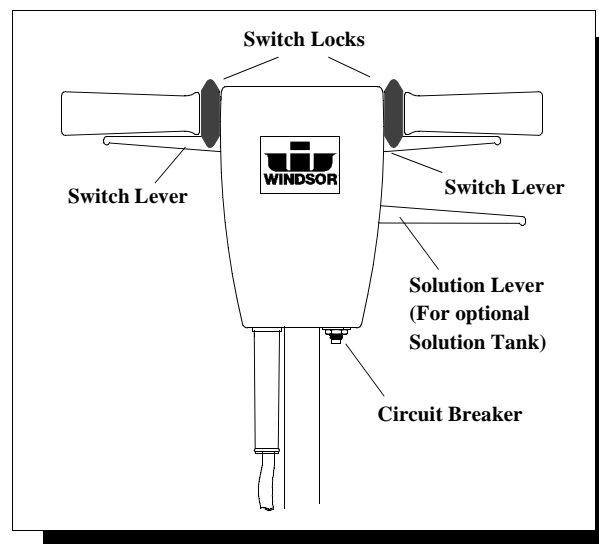
WARNING: HIGH STARTING TORQUE. HOLD MACHINE FIRMLY WITH BOTH HANDS.

- 1.) Ensure that the pad driver or brush is installed correctly and in good shape. Install or change pad if necessary (See Page 3 for detail of installation).
- 2.) Plug the machine into a wall outlet as described in the grounding instructions.
- 3.) Lower the handle by unlocking the adjustment handle and moving the handle into position. Relock the handle when it is in a comfortable position.
- 4.) Check to be sure the pad driver or brush is installed before starting.
- 5.) With the switch lock(s) rotated forward, squeeze one of the switch levers, turning the machine on. (These levers can be operated independently of each other)
- 6.) To stop the machine, release the switch lever and switch lock.

NOTE: The machine is equipped with a circuit breaker to protect the motor in the event an overload condition occurs. The circuit breaker is located at the bottom of the switch housing. Push the reset button to restart the machine. If the breaker trips again, correct the cause of overloading before proceeding.

- 7.) Do not let machine rest on pad. When finished with the machine for the day return handle to the storage position. Be sure to leave machine in a safe place where there is no risk of being tipped over.

CONTROLS



TROUBLE SHOOTING CHART

PROBLEM	POSSIBLE CAUSE	SOLUTION
No power to machine	Dead electrical circuit breaker or fuse box.	Check building circuit
	Power switch failure	Test switch for continuity and replace if necessary.
	Faulty circuit breaker	Replace.
	Faulty power cord	Replace.
Electrical shock	Equipment not grounding	Follow grounding instructions exactly.
	Receptacle not grounded	Have an electrician inspect building's wiring.
	Internal wiring problem	Ensure that the machines wiring matches the appropriate wiring diagram. Replace any wires or components which are short circuiting
Circuit breaker tripping	Faulty circuit breaker	Test circuit breaker for continuity. Replace circuit breaker if necessary.
	Mechanical problem	Higher amp draws indicate a mechanical problem, find the parts which are not moving

DAILY MAINTENANCE:

(At the end of each working day):

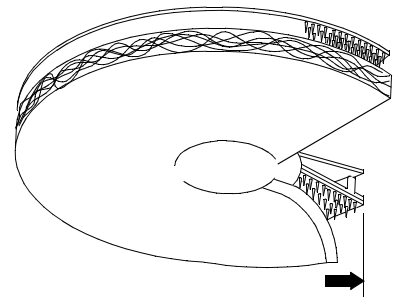
- 1.) Inspect power cord for wear. To prevent electrical shock replace cords with frayed or cracked insulation immediately.
- 2.) Place machine in the storage position.
- 3.) Check pad condition. Change if soiled or torn.

PAD DRIVER INSTALLATION:

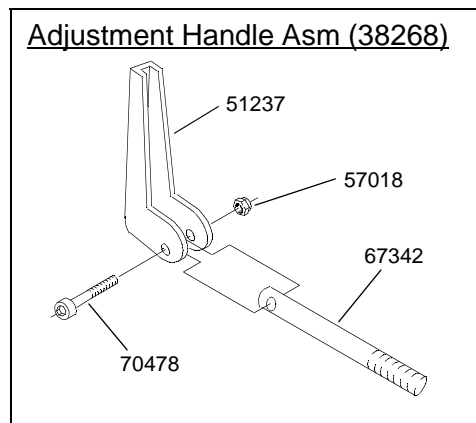
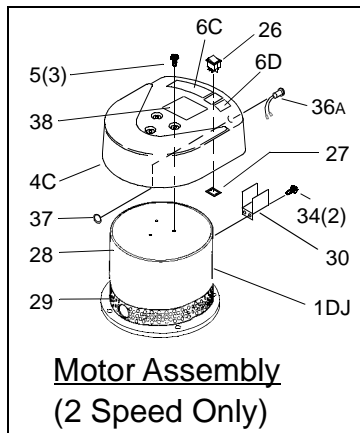
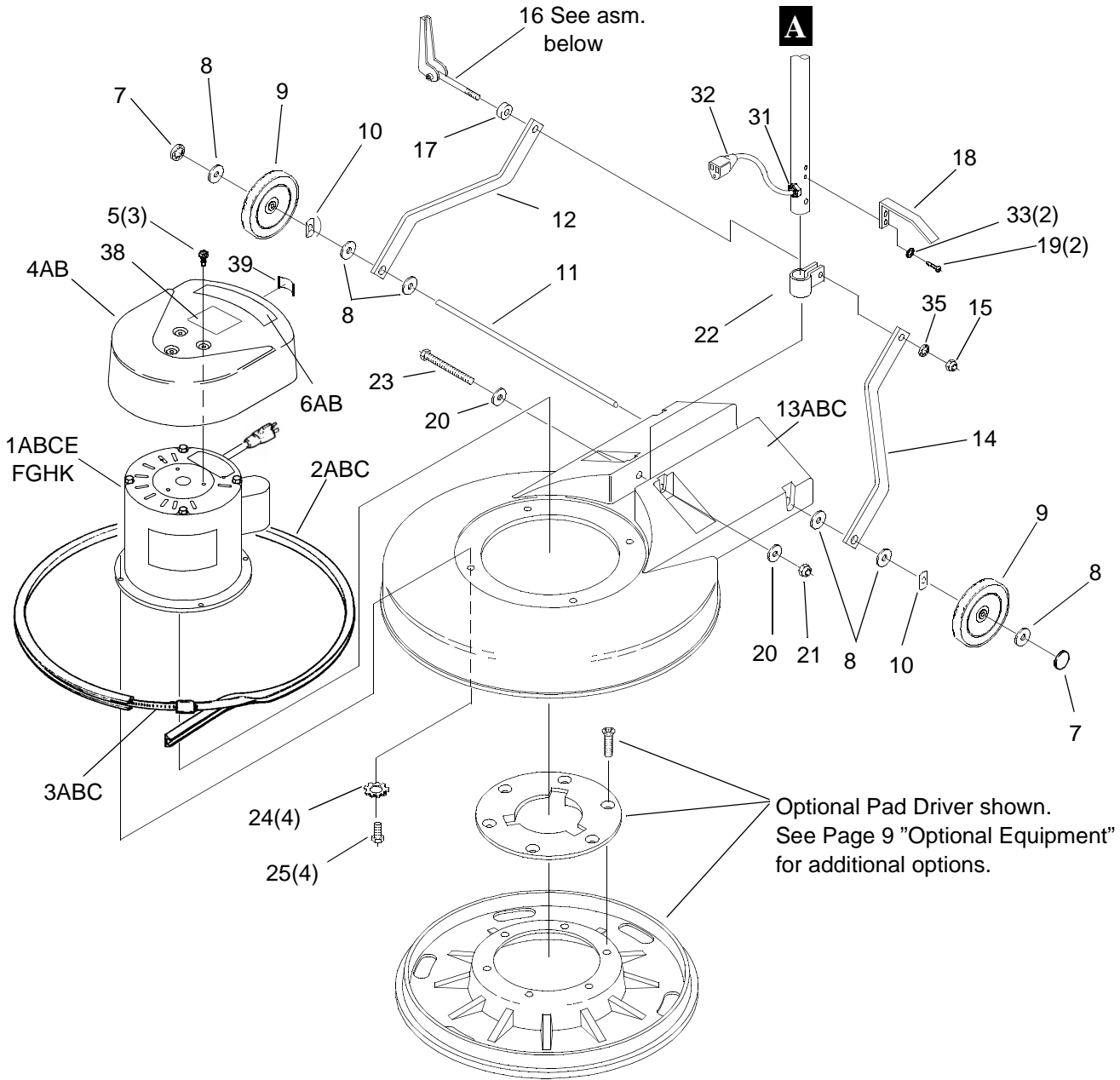
- 1.) Lay machine back on the ground, exposing the under side.
- 2.) Place pad driver on the motor lug and rotate clockwise until engaged. To remove, turn Counter-clockwise.

PAD INSTALLATION:

Ensure Pad is Centered on Pad Driver. Pull Pad to edge of Pad Driver in several directions to check for proper engagement.



MAIN ASSEMBLY

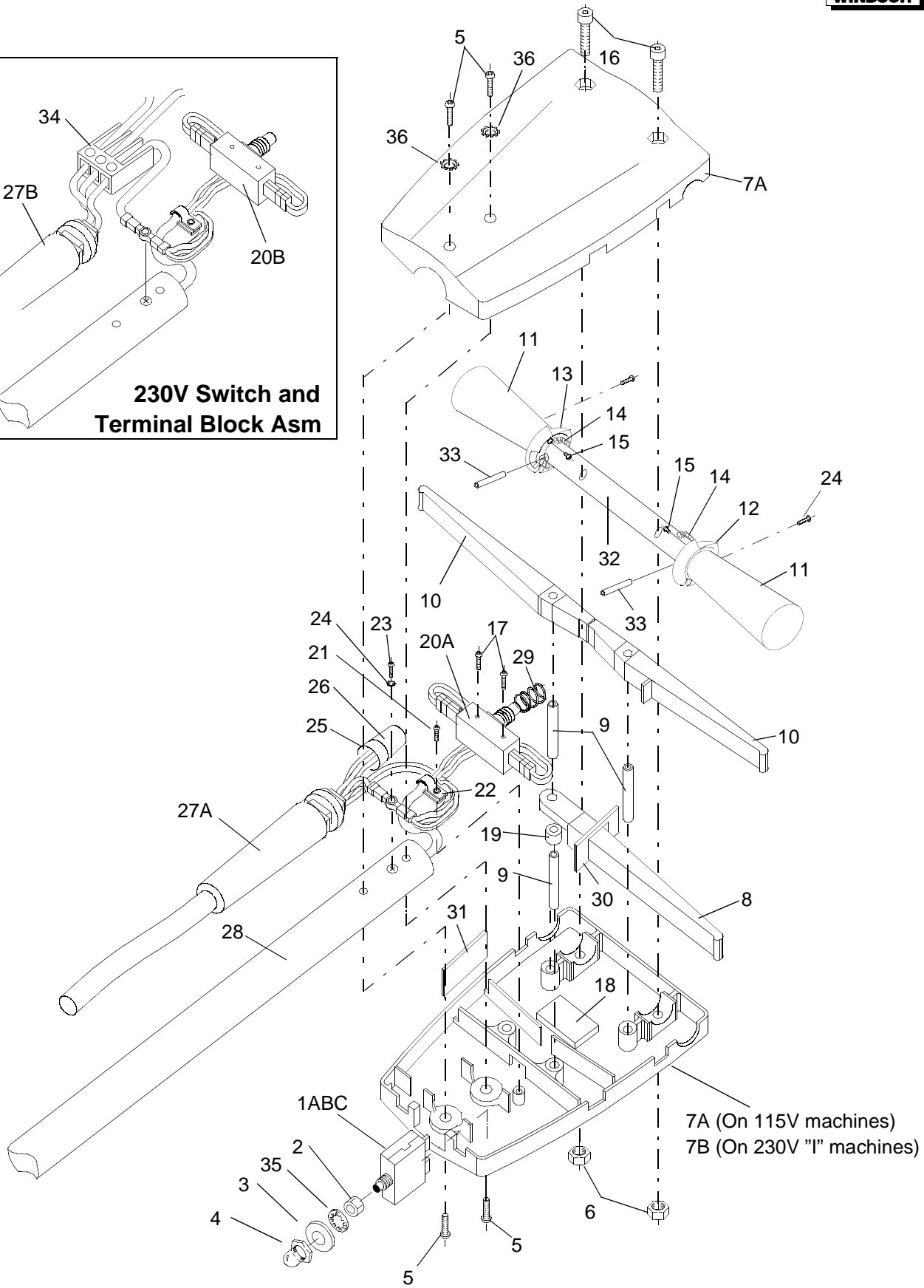
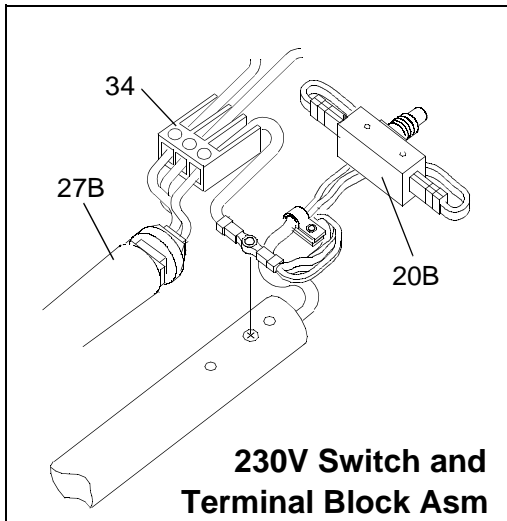




MAIN ASSEMBLY Parts List

Ref	Part No.	Qty	Description	Serial No.		Notes:
				From	To	
1A	53219	1	Motor, 115V 1/3 HP (175 RPM)			M13
1B	53220	1	Motor, 115V 1 HP (175 RPM)			M17,M20
1C	53218	1	Motor, 115V 1.5 HP 175 RPM)			M20X, M17X
1D	53226	1	Motor, 115V 1.5 HP (175/300 RPM)			MDS20
1E	53221	1	Motor, 115V 1.5 HP (300 RPM)			M320
1F	53222	1	Motor, 220V 1/3 HP (175 RPM)			M13I
1G	53223	1	Motor, 220V 1 HP (175 RPM)			M17I,M20I
1H	53224	1	Motor, 230V 1.5 HP (175 RPM)			M20XI
1J	53227	1	Motor, 240V 1.5 HP (175/300 RPM)			MDS20I,MDS17I
1K	53225	1	Motor, 230V 1.5 HP (300 RPM)			M320I
2A	14992	1	Bumper, 13" dia shroud			M13
2B	14608	1	Bumper, 17" dia shroud			M17,MDS17I
2C	14561	1	Bumper, 20" dia shroud			M20,M20X,MDS20,M320, M17X
3A	20081	1	Clamp, Merit 13"			M13
3B	20071	1	Clamp, Merit 17"			M17,MDS17I
3C	20070	1	Clamp, Merit 20"			M20,M20X,MDS20,M320, M17X
4A	27603	1	Cover, small motor			M13
4B	27602	1	Cover, large motor			M17,M20,M20X,M320, M17X
4C	27608	1	Cover, 2 speed motor			MDS20
5	70351	3	Scr, 10-32 x 3/8 HHTR w/star			
6A	50673	1	Label, Merit 175			M13,M17,M20,M20X, M17X
6B	50674	1	Label, Merit 300			M320
6C	50675	1	Label, Merit 175/300 large			MDS20,MDS17I
6D	50681	1	Label, Merit 175/300 small			MDS20,MDS17I
7	57196	2	Nut, 1/2 push-on dome cap			
8	87146	6	Washer, 1/2"ID x 1"OD x .06" nylon			
9	89086	2	Wheel, 5"OD x .5"ID x 1" grey			
10	87140	2	Washer, 1/2"ID x 3/4"OD wave			
11	03079	1	Axle, 1/2" dia x 13.615" CRS PLTD			
12	73779	2	Support, Merit handle RT			
13A	34246	1	Frame, 13" polisher			M13
13B	34245	1	Frame, 17" polisher			M17,MDS17I
13C	34244	1	Frame, 20" polisher			M20,M20X,MDS20,M320, M17X
14	73780	1	Support, Merit handle LT			
15	57021	1	Nut, 1/2-20 Ny-loc			
16	38268	1	Handle asm, adjustment			See inset on p.4 for assembly.
17	87148	1	Washer, 3/8"ID x .88"OD x .19" flat			
18	41270	1	Hook, Merit cord			
19	70384	2	Scr, 1/4-20 x 1/2 PHTR BLK PLT			
20	87003	2	Washer, 3/8"ID x 7/8"OD SS			
21	57119	1	Nut, 3/8-16 lock PLTD			
22	27682	1	Clamp, Merit handle lock			
23	70461	1	Scr, 3/8-16 x 3.5" HHCS GR5			
24	87067	4	Washer, 5/16 int star lock PLT			
25	70305	4	Scr, 5/16-18 x 3/4 HHCS GR5			
26	72144	1	Switch, 125V SPST Rockr w/Boot			MDS20,MDS17I
27	27376	1	Clip, switch retainer			MDS20,MDS17I
28	73696	1	Screen, upper motor			MDS20,MDS17I
29	73697	1	Screen, lower motor			MDS20,MDS17I
30	27606	1	Cover, 2sp polisher switch			MDS20,MDS17I
31	73195	1	Strain relief, 1/2 NPT			
32	23180	1	Cord set, 14/3 SJTW x 45" Blk			
33	87025	2	Washer, 1/4 lock ext. star SS			
34	70351	2	Scr, 10-32 x 3/8 HHTR w/star			MDS20,MDS17I
35	87021	1	Washer, 1/2 int. star lock			
36A	51116	1	Light, 115V Brush Wear			MDS20
36B	51118	1	Light, 230V Brush Wear			MDS17I
37	87101	1	WASHER, 1/2 ID Spring			MDS20,MDS17I
38	50688	1	Label, Windsor logo			
39	50776	1	Label, Warning for Safety			

HANDLE ASSEMBLY



A

7A (On 115V machines)
7B (On 230V "I" machines)

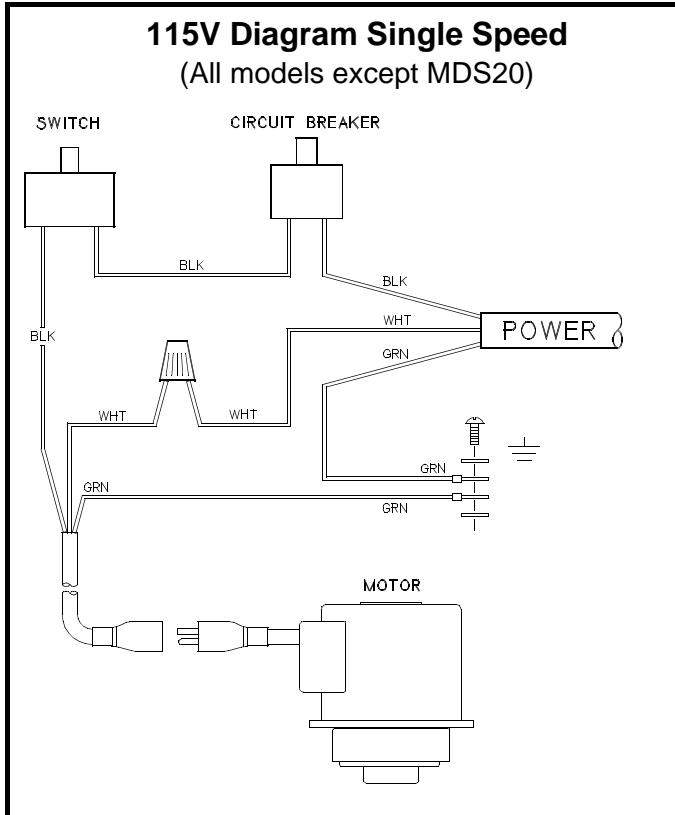


HANDLE ASSEMBLY Parts List

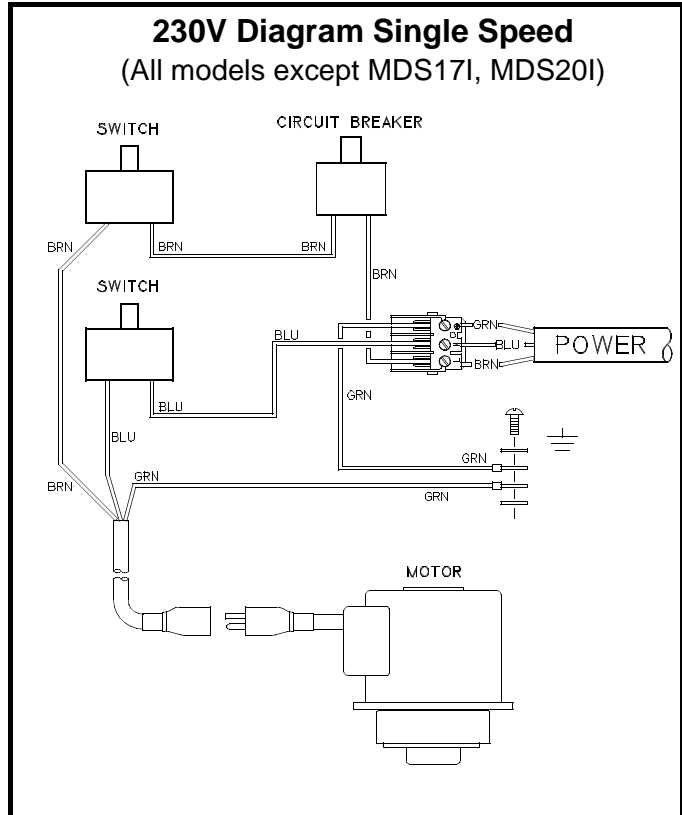
Ref	Part No.	Qty	Description	Serial No.		Notes:
				From	To	
1A	14700	1	Breaker 15A 250VAC 50VDC			M17,M20,M20X,MDS20,M320 M17X
1B	14668	1	Breaker, 8A Circuit			M13
1C	14312	1	Breaker, 7A Circuit			All 230V "I" machines.
2	27558	1	Collar, Circuit Breaker			
3	50649	1	Label, Circuit Breaker			
4	14942	1	Boot, 3/8 circuit breaker			
5	70384	4	Scr, 1/4-20 x 1/2 PHTR Pltd.			
6	57006	2	Nut, 1/4-20 Hex Pltd			
7A	41234	2	Housing, POL Handle (Logo)			Qty.1 on 230V "I" machines.
7B	41246	1	Housing, POL Handle Rear Mach'd			Used on 230V "I" machines only.
8	51188	1	Lever, Height Polisher Handle			Installed for optional Sol. tank.
9	66187	3	Pin, POL Handle			
10	51187	2	Lever, Switch Polisher Handle			
11	36139	2	Grip, Handle			
12	51192	1	Lock, Switch Lt. POL Handle			
13	51191	1	Lock, Switch Rt. POL Handle			
14	73571	2	Spring, Handle Lock			
15	70242	2	Scr, 4-40 x 1/4 PHMS Pltd.			
16	70451	2	Scr, 1/4-20 x 1.62 SHCS Pltd			
17	70455	2	Scr, #6-32 x 1.00 PPHTF Pltd.			
18	73400	1	Spacer, UL Switch			Used on 115V machines only.
19	73402	1	Spacer, Adj. Handle			
20A	72123	1	Switch, 25A SPST 125-250V Snap			All 115V machines.
20B	72119	1	Switch, Snap POL Handle 230V			All 230V "I" machines.
21	70351	1	Scr, 10-32 x 3/8 HHTR w/Star			
22	20054	1	Clamp, 3/8 Nylon UL/CSA			
23	70335	1	Scr, 10-32 x 1/2 PHTR Grn/Grnd			
24	87016	1	Washer, #10 Lock Ext Star SS			
25	57003	1	Nut, Yellow Wire			All 115V machines.
26	99627	1	Electric Tape, 3/4 w/UL-CSA			All 115V machines.
27A	23167	1	Cord Set, 14/3 Std x 50' Yellow			All 115V machines.
27B	23169	1	Cord Set, 1.5mm Euro x 50' Blk			All 230V "I" machines.
28	78288	1	Tube, Polisher Handle Merit			
29	73572	1	Spring, Switch Handle			
30	62251	1	Plate, Handle Lever			
31	62344	1	Plate, Lever Plug			
32	78270	1	Tube, Handle Polisher			
33	66199	2	Pin, Polisher Handle			
34	76112	1	Terminal Block, 3 position			All 230V "I" machines.
35	87067	1	Washer, 5/16 lock int star plt.			
36	87025	2	Washer, 1/4 lock ext star			



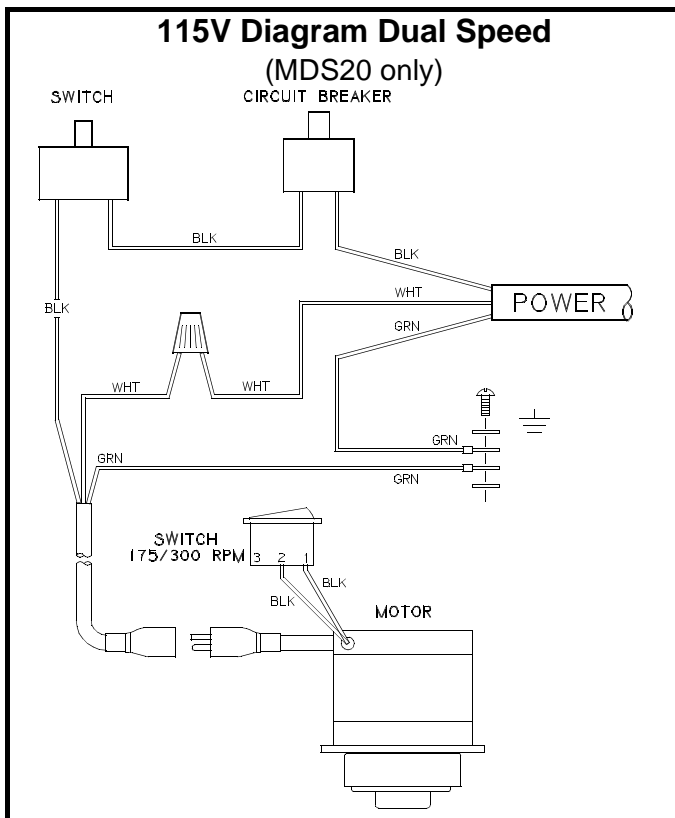
115V Diagram Single Speed
(All models except MDS20)



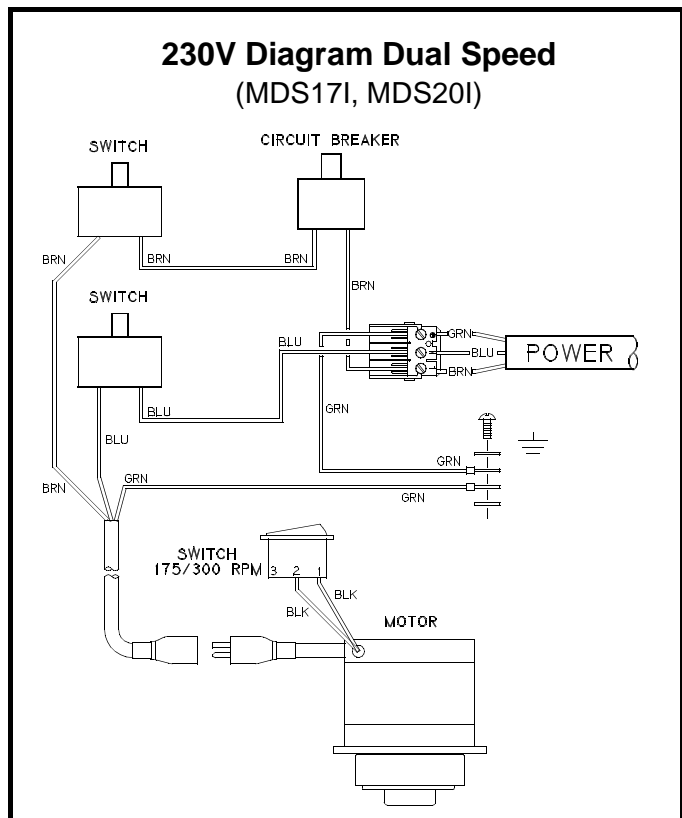
230V Diagram Single Speed
(All models except MDS171, MDS20I)



115V Diagram Dual Speed
(MDS20 only)



230V Diagram Dual Speed
(MDS171, MDS20I)





PART #DESCRIPTION

Come equipped with clutch plate	02220	Clutch Plate
	02216	Pad Driver, 12" Merit
	02218	Pad Driver, 16" Merit
	02219	Pad Driver, 19" Merit
	02217	Pad Driver, 19" Merit high speed
	02236	Brush, 11" Polypropylene
	02235	Brush, 11" Malgrit
	02206	Brush, 15" Polypropylene
	02241	Brush, 15" Malgrit Mild
	02205	Brush, 15" Malgrit Aggressive
	02203	Brush, 18" Polypropylene
	02238	Brush, 18" Malgrit Mild
02202	Brush, 18" Malgrit Aggressive	

Contact your local WINDSOR Distributor to order
MT4 tank for use with Merit floor polishers only

Notes: