

TORNADO INDUSTRIES  
7401 W. LAWRENCE AVENUE  
CHICAGO, IL 60706  
(708) 867-5100 FAX (708) 867-6968  
www.tornadovac.com



## Illustrated Parts List

For Commercial Use Only



## Midrange Floorkeeper

MODEL NOS.  
99307 & 99407

**TABLE 1**

CATALOG NO.	99307	99407
SERIES	S	S
VOLTS (Charger)	36V	36V
SIZE	26"	33"
FREQUENCY	60	60

**ALL SPECIFICATIONS SUBJECT TO CHANGE WITHOUT NOTICE.**

**TABLE OF CONTENTS:**

Panels and Covers.....	3	Squeegee Assembly & Lift Mechanism....	17
Battarey Components.....	5	Solution Tank & Control System.....	19
Frame Assembly.....	7	Vacuum Tank Assembly.....	21
Transaxle Frame Assembly.....	9	Wiring Diagram.....	23
Brush Cover Assembly (26" Model).....	11	Brush Components.....	25
Brush Cover Assembly (33" Model).....	13	Battery Charger #99515.....	27
Brush Lift Assembly.....	15	Main Control.....	29

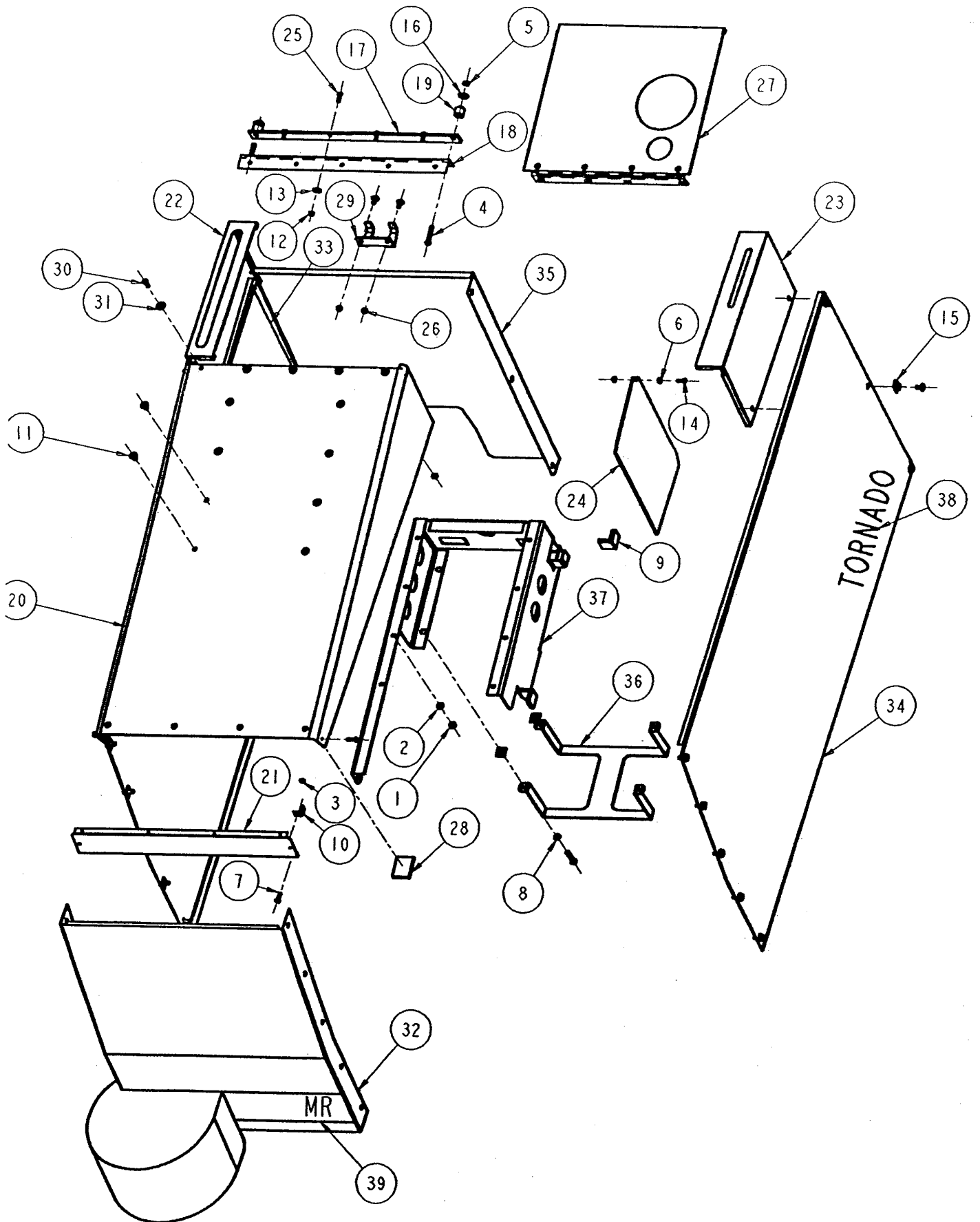
<b>Tornado<sup>®</sup> Standard Warranty Program *</b>	
<p>Warranties do not cover components subject to normal wear or abuse and misuse, and have other limitations not specified here. For full details , contact your Authorized Tornado Distributor, Service Center, or the Tornado Technical Service Department.</p>	<p><b>10 Years:</b> <i>All plastic tanks and rotationally-molded bodies</i></p>
	<p><b>2 Years:</b> <i>Parts on all Tornado and Tornado/Karcher cleaning equipment <sup>1) 2)</sup></i></p>
	<p><b>1 Year:</b> <i>Labor on all Tornado and Tornado/Karcher cleaning equipment <sup>1) 2)</sup></i></p>
	<p><b>1 Year:</b> <i>Warranty on batteries, one full year, Not pro-rated.</i></p>

\* Effective January 1<sup>st</sup>, 2001. Terms subject to change without notice.

1) Windshear™ Blower-Dryer, Insulation Blowers, CW 50, CW 100, and Duo-Upright Carpetkeepers™ are warranted for 1 (one) year for parts and labor.

2) Warranties on the ICC1, KMR 1200, KMR 1250, and KMR 1700 are 24 months parts/6 months labor OR 1000 hours of operation, whichever comes first. Warranties on the BR and BD 1000 are 24 months parts/12 months labor OR 1000 hours of operation, whichever comes first.

# PANEL & COVER

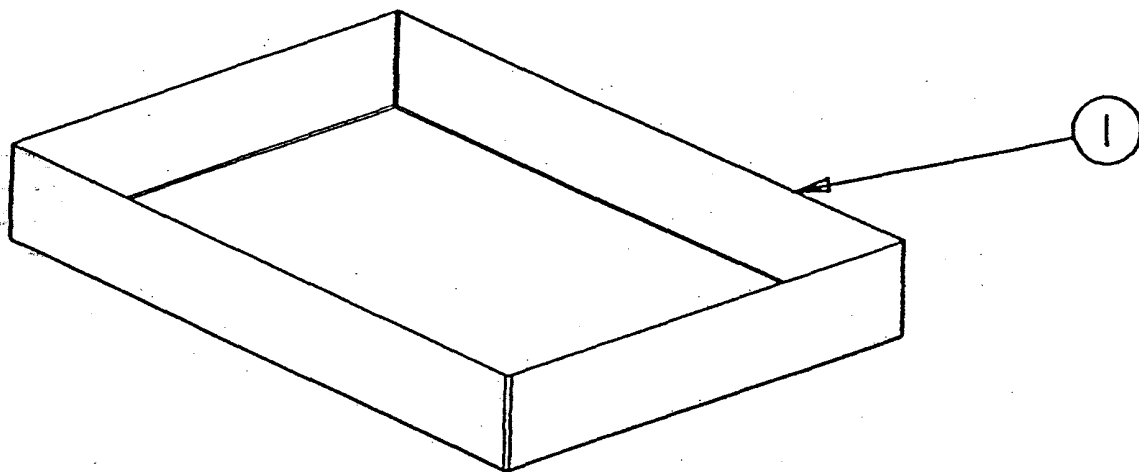
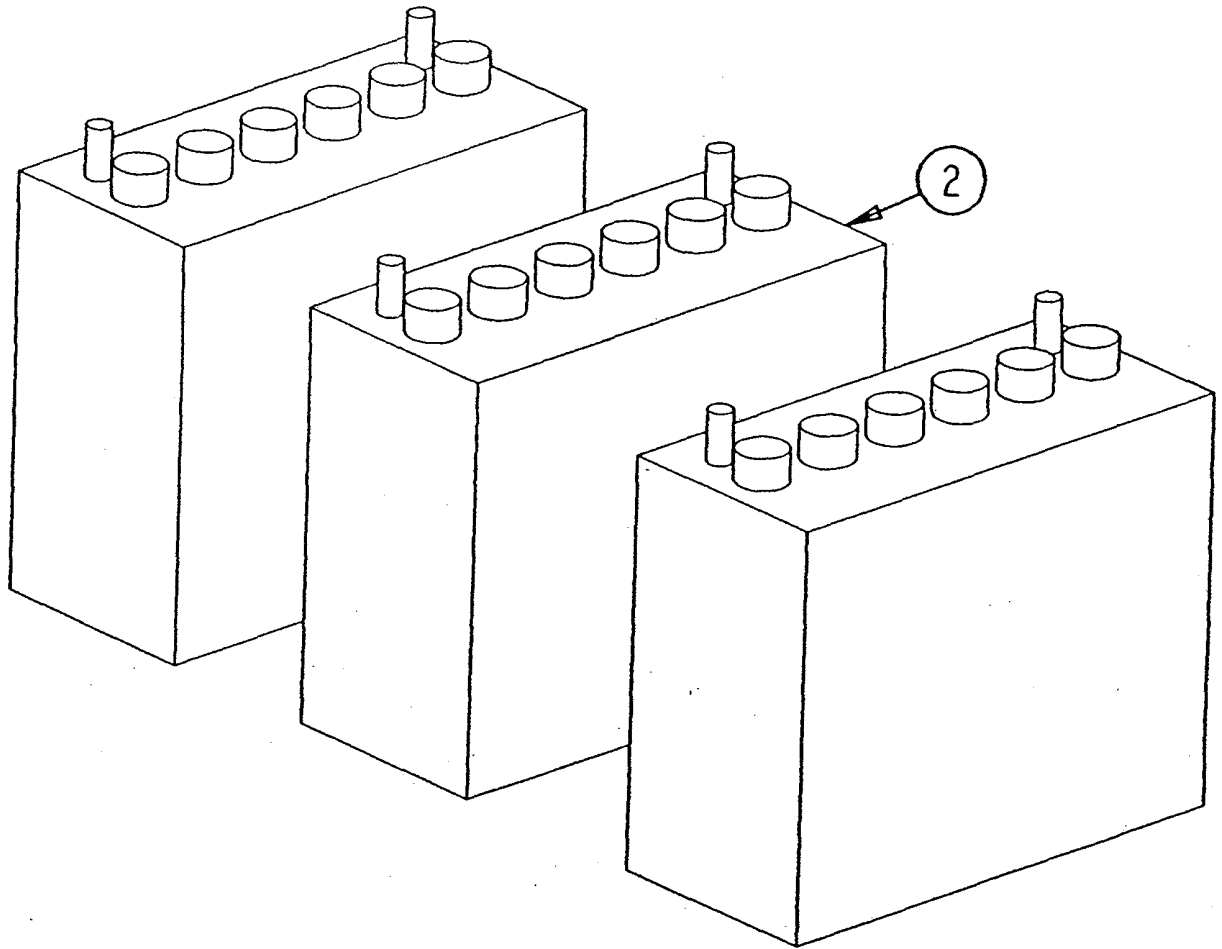


## PANELS & COVERS

ITEM	QTY	PART NUMBER	DESCRIPTION
1	8	01497	NUT-FINISHED HEX 1/4-20
2	8	01574	WASHER- LOCK 1/4"
3	8	01575	WASHER-PLAIN #6
4	6	01978	SCREW-PHILLIPS ROUND HEAD MACHINE 1/4-20 X 1-1/2
5	2	02217	NUT-HEX JAM LOCK (NYLON INSERT) 1/4-20
6	4	05270	NUT-FINISHED HEX #10-32
7	8	05443	RIVET-SEMI TUBE 7/64 X 5/32
8	4	07870	WASHER-LOCK(1/T)1/4"
9	4	10003	GRIP
10	2	10299	BRACKET
11	28	10353	SCREW-SLOTTED TRUSS HEAD MACHINE 1/4-20 X 1/2
12	9	10894	NUT-HEX LOCK(P/T)
13	4	11219	WASHER-PLAIN #10
14	2	12896	SCREW-PHILLIPS ROUND HEAD MACHINE#10-32 X 5/8
15	22	13611	NUT-CLIP ON 1/4-20
16	2	14142	WASHER-PLAIN .265
17	1	15416	CROSSBAR
18	1	15417	HINGE
19	2	15418	STAND-OFF
20	1	15431	COVER, BATTERY
21	1	15433	SHIELD
22	1	15450	UPPER SIDE PANEL. RH
23	1	15451	UPPER SIDE PANEL, LH
24	2	15459	GUARD PLASTIC
25	4	15621	SCREW-HEX HEAD MACHINE #10-24 X 5/8
26	2	16129	NUT-FINISHED HEX #10-32
27	1	16276	TOP COVER ASSEMBLY
28	2	16470	BUMPER PAD
29	1	17273	BRACKET-HOSE
30	5	18339	SCREW-PHILLIPS FLAT HEAD MACHINE #10-24 X 3/4
31	.5	18820	WASHER FINISHING (NYLON) #10
32	1	19902	COVER-FRONT
33	1	19903	PANEL SIDE RH
34	1	19904	PANEL SIDE - LH
35	1	30447	LOWER REAR PANEL
36	1	30899	UPPER BATTERY BRACKET
37	1	30907	BRACKET-BATTERY
38	2	30818	DECAL "TORNADO W/ LOGO"
39	1	30843	DECAL FRONT "MR 26"
	1	30842	DECAL FRONT "MR 33"
40	2	13022	PAD
41	1	15469	DECAL REAR
42	1	30811	DECAL LOGO
43	1	13901	DECAL "PREVENTATIVE MAINTENANCE"
44	1	14496	DECAL "VACUUM MOTOR & FILTER"
45	1	15976	DECAL "WIRING DIAGRAM"
46	1	13974	DECAL "CAUTION"
47	2	16605	DECAL "FOAM FILLED TIRES"

\* = ITEMS NOT SHOWN

BATTERY COMPONENTS REV. A



**BRUSH COMPONENTS**

<b>Item No.</b>	<b>Qty.</b>	<b>Part No.</b>	<b>Description</b>
10	2	14795	SPRING
11	2	03963	CLAMP, BRUSH RETAINER
12	4	03660	SCREW-PAN HEAD
13	4	10431	SCREW
14	2	17309	BRUSH RETAINER
15	6	18022	SCREW, WOOD
17		97917	YOKE AND RETAINER ASSEMBLED

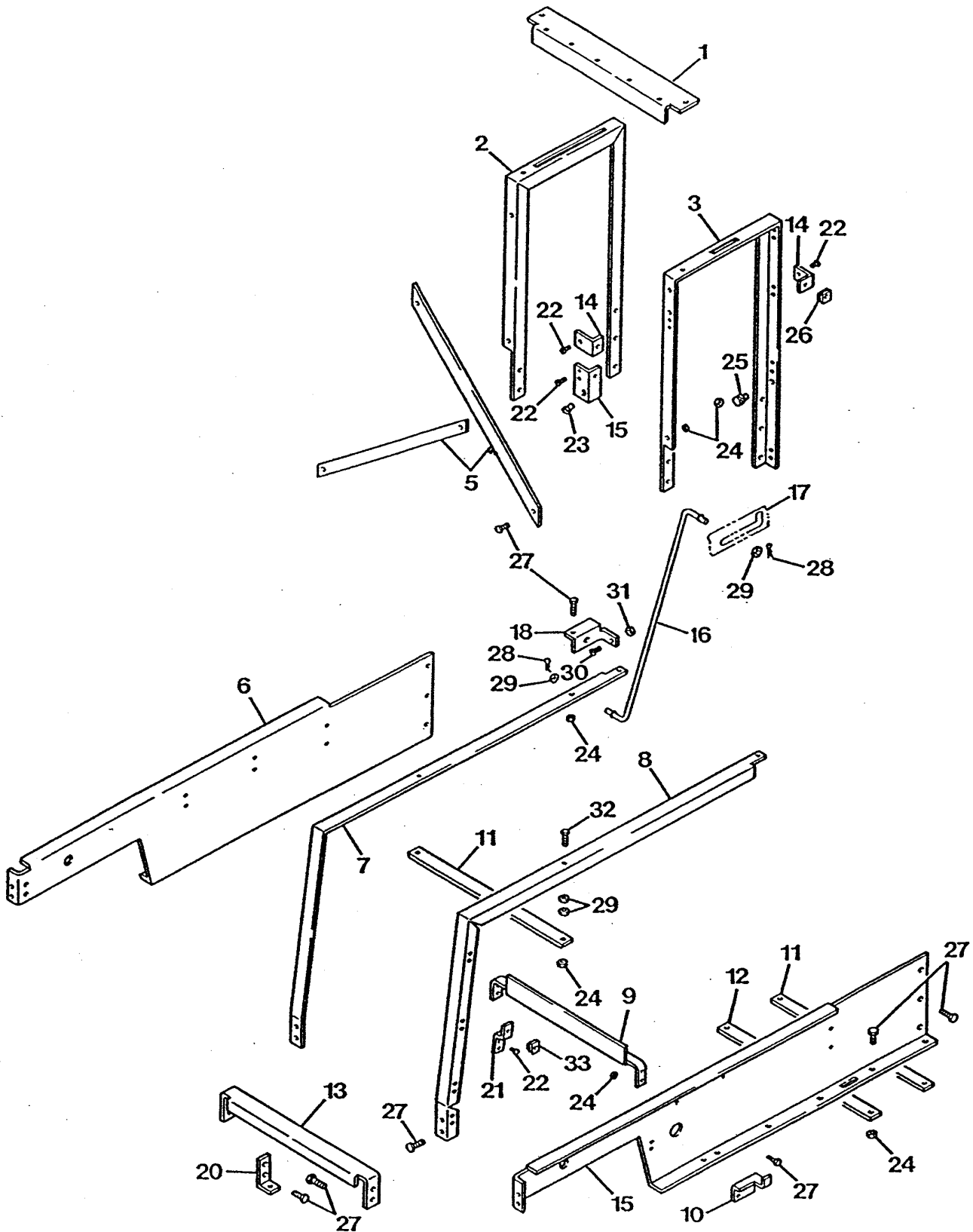
**26 INCH BRUSHES**

<b>Qty.</b>	<b>Part No.</b>	<b>Description</b>
2	97917	YOKE & RETAINER SET
2	99159	PAD HOLDER-14"
2	99156	BRUSH-POLY. 14"
2	99157	BRUSH-GRIT 14"

**30 INCH BRUSHES**

<b>Qty.</b>	<b>Part No.</b>	<b>Description</b>
2	97917	YOKE & RETAINER SET
2	98566	PAD HOLDER-17"
2	98283	BRUSH-POLY. 17"
2	98373	BRUSH-GRIT 17"

# FRAME ASSEMBLY - REV. A



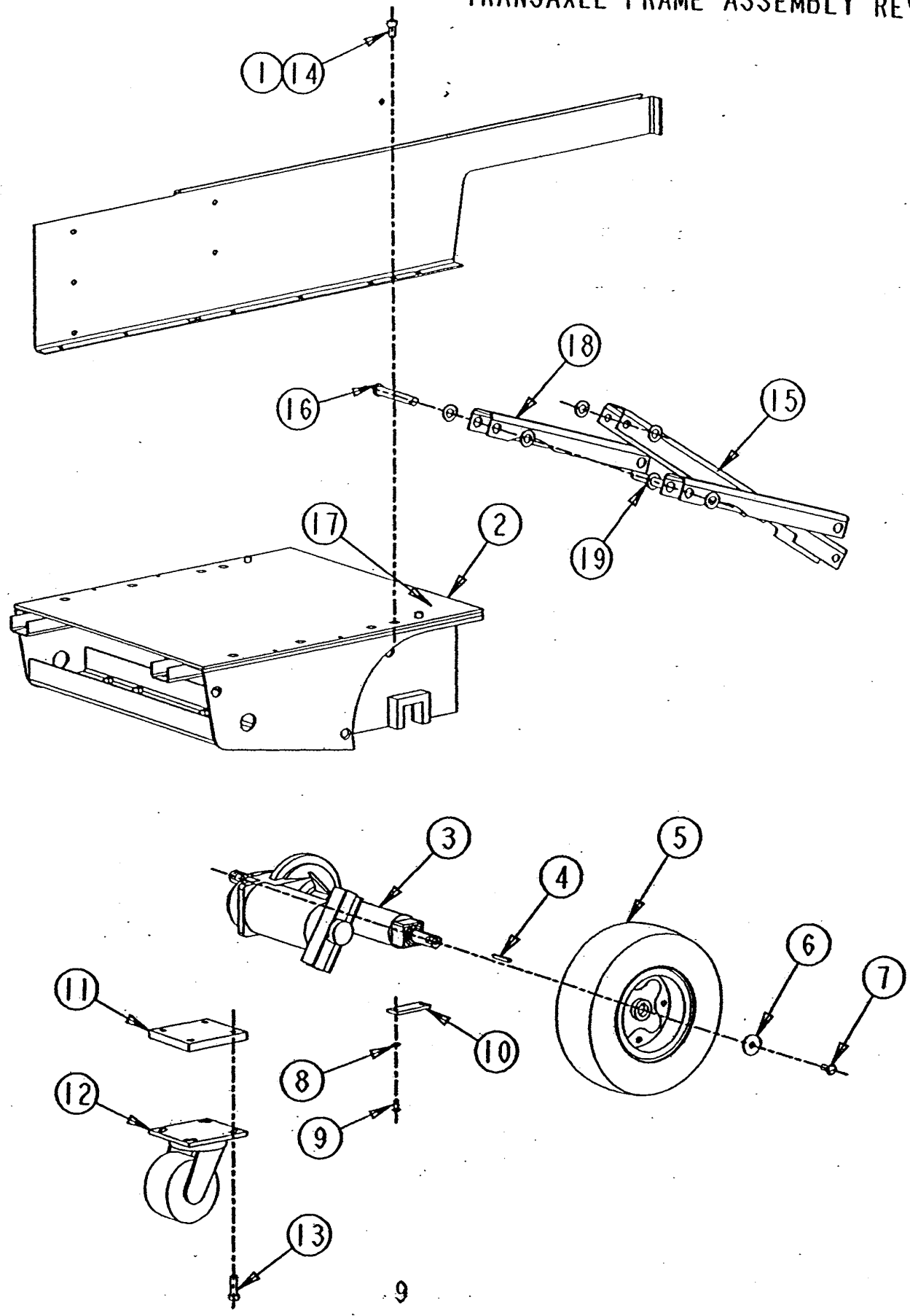
## FRAME ASSEMBLY

Item No.	Qty.	Part No.	Description
1	1	15543	BRACE, COVER
2	1	10291	FRAME, RH
3	1	10279	FRAME, LH
5	2	10288	BRACE
6	1	10447	CHANNEL ASSEMBLY, RH
7	1	10285	FRONT SIDE FRAME, RH
8	1	10286	FRONT SIDE FRAME, LH
9	1	10282	CROSS BAR
10	1	14179	BRACKET, GUIDE
11	2	10284	BRACE
12	1	16032	BRACE
13	1	14089	CROSS BAR
14	11	10268	PANEL BRACKET, REAR
15	1	10295	BRACKET, SOLUTION ROD GUIDE
16	1	15914	SUPPORT ROD, BATTERY COVER
17	1	15915	SUPPORT BRACKET, RH
18	1	15917	BRACKET, SUPPORT ROD
20	1	10531	SPRING BRACKET
21	8	10267	BRACKET, FRONT PANEL
22	44	03261	SCREW
23	1	14229	BUSHING, NYLINER
24	29	01589	NUT
25	4	05441	SCREW
26	20	13611	NUT-CLIP ON, REAR PANELS
27	26	02109	SCREW
28	6	03395	COTTER PIN
29	24	03301	WASHER
30	4	05427	SCREW
31	3	07533	LOCK NUT
32	12	03361	SCREW

NOTE: Unless indicated, Part No. applies to all models.



TRANSAXLE FRAME ASSEMBLY REV.A



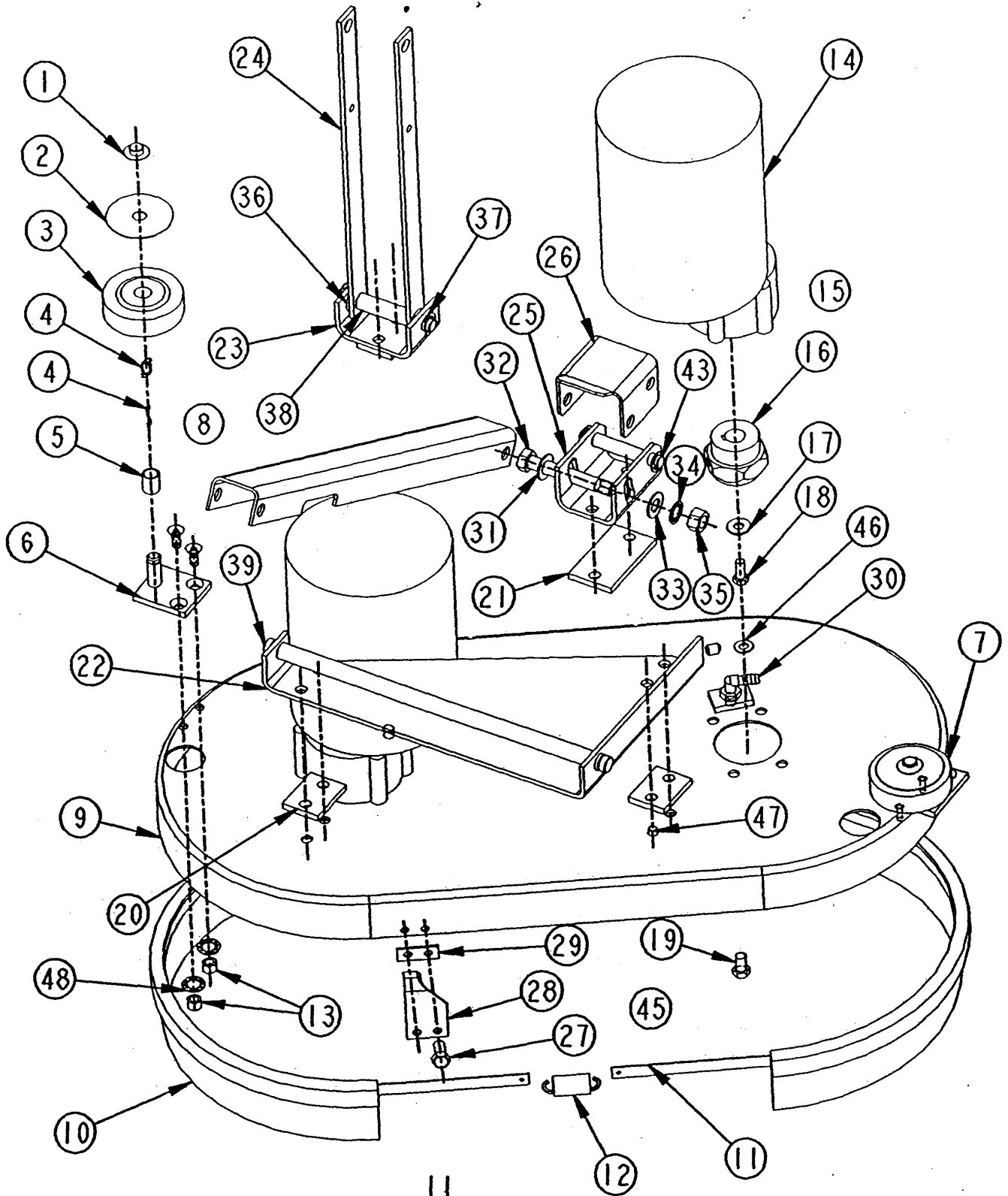
## TRANSAXLE FRAME ASSEMBLY

Item No.	Qty.	Part No.	Description
1	5	03959	SCREW-HEX.HEAD CAP
2	1	19892	CHASSIS M-R
3	1	19921	TRANSAXLE-36VDC
4	2	18499	KEY-SQUARE
5	2	17313	WHEEL, FOAM-FILLED
6	2	03321	WASHER-PLAIN 3/8
7	2	16671	SCREW-HEX.HEAD CAP
8	4	01574	WASHER-LOCK(H/S)1/4"
9	4	05427	SCREW-ROUND HEAD
10	2	19294	RETAINER-EZ TRANSAXLE
11	2	19582	PLATE-CASTER SPACER
12	2	18773	CASTER, SWIVEL
13	8	17576	SCREW-HEX.HEAD CAP 3/8-16 X 1-1/4"
14	3	17180	CONTROL LINKAGE BOLT
15	1	16745	CONTROL LINKAGE BOLT
16	3	30211	PIN-CLEVIS 1/2"DIA X 4"
17	6	19666	BRIDGE PIN
18	2	17180	CONTROL LINKAGE BOLT
19	3	12554	WASHER

\*NOT SHOWN

NOTE: Unless indicated, Part No. applies to all models.

# BRUSH COVER ASSEMBLY-26" REV. A

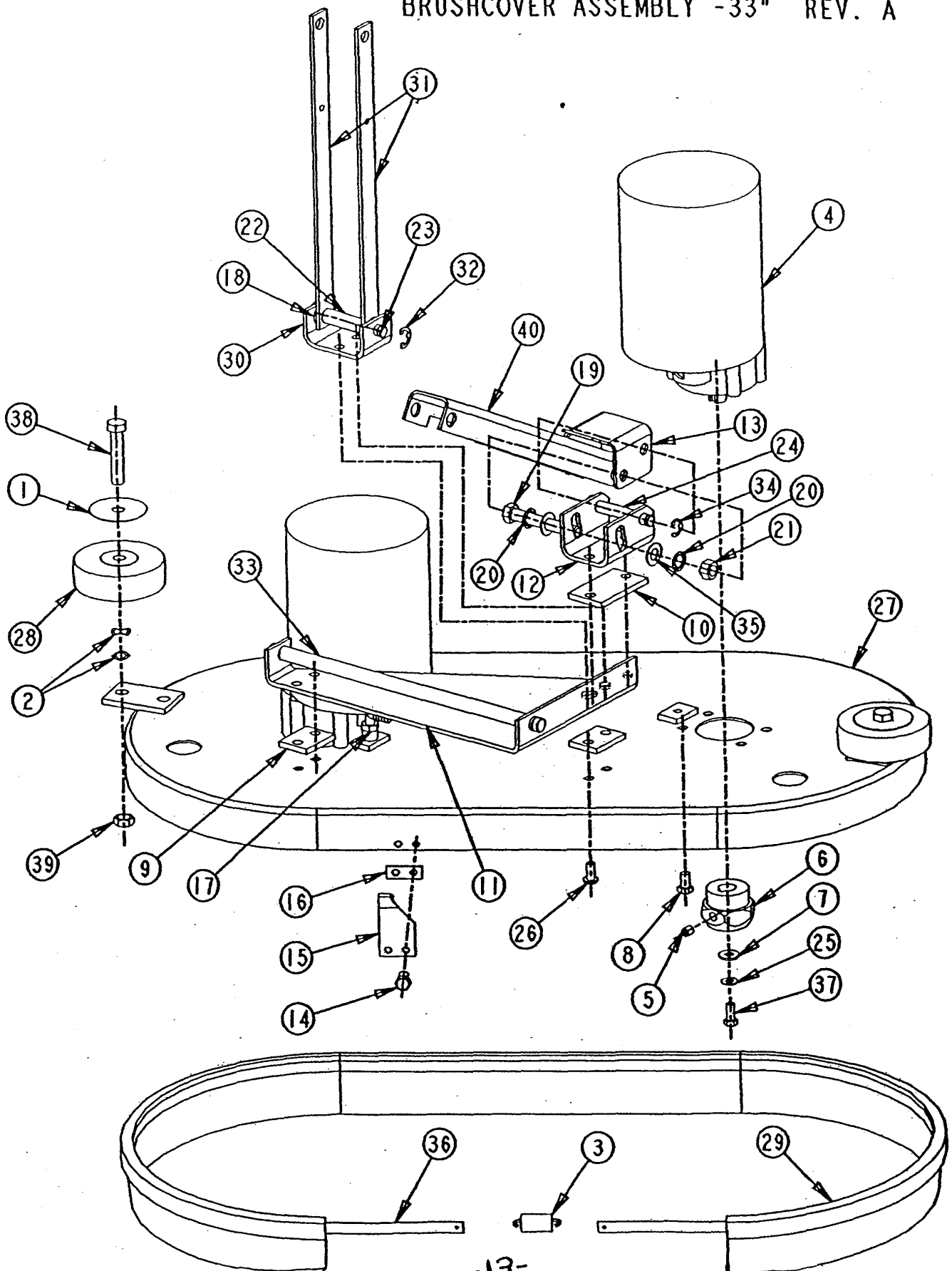


**BRUSH COVER ASSEMBLY-26"**

<b>Item No.</b>	<b>Qty.</b>	<b>Part No.</b>	<b>Description</b>
1	2	07539	NUT-PUSH
2	2	10436	COVER - RUB WHEEL
3	2	10587	RUB WHEEL
4	4	07723	WASHER-SPRING 1/2"
5	2	10639	SLEEVE, BEARING BRONZE
6	1	17270	RUB WHEEL BKT LH ASSY
7	1	17265	RUB WHEEL BKT RH ASSY
8	4	03922	SCREW-FLAT HD.SOCKET CAP
9	1	19883	BRUSHCOVER,26"WELDMENT
10	1	17740	BUMPER
11	1	17735	BUMPER STRAP
12	1	16472	SPRING-EXTENSION
13	12	00067	NUT-HEX.LOCK(KEPS)
14	2	18564	MOTOR-BRUSH(3/4HP)
15	2	17802	SCREW-SET SOCK.(NYLOCK) 3/8-16 X 1/2"
16	2	16737	COUPLER-BRUSH/PAD HOLDER
17	2	02568	WASHER-PLAIN (TYPE A)
18	2	16672	SCREW-HEX.HEAD(NYLOCK)
19	8	16671	SCREW-HEX.HEAD CAP(NYLK)
20	3	16736	ABSORBER BLOCK
21	1	16731	ABSORBER BLOCK
22	1	19909	BRACKET M-R 26"&33"
23	1	16728	BRACKET
24	2	19885	LIFT BAR M-R 26"
25	1	16729	BRACKET
26	1	16730	BRACKET,ADJUSTMENT
27	2	17160	SCREW-HEX.HEAD 1/4-20 X 3/4"
28	1	17752	RESTRAINER
29	1	17751	FLAT W/HOLES
30	2	18486	FITTING - PLASTIC ELBOW 3/8 NPT X 3/8
31	2	12554	WASHER-PLAIN 1/2" (PLASTIC)
32	1	16706	SCREW-HEX.HEAD CAP
33	2	12554	WASHER-PLAIN 1/2" (PLASTIC)
34	1	06387	WASHER-LOCK(I/T)1/2"
35	1	16673	NUT-HEX (NICKEL)
36	2	12554	WASHER-PLAIN 1/2" (PLASTIC)
37	2	03472	RING-RETAINING EXT 5/8
38	2	12554	WASHER-PLAIN 1/2" (PLASTIC)
38	1	16732	SPACER
44	1	16733	SHAFT,GROOVED
43	1	07551	PIN-HANDLE YOKE PIVOT
45	2	17733	KEEPER
46	2	03301	WASHER-PLAIN 5/16"
47	8	15067	SCREW-PAN HEAD 5/16-18 X 3/4"
48	2	06387	WASHER-LOCK(I/T)1/2"
49	2	99159	PAD HOLDER

NOTE: Unless indicated, Part No. applies to all models.

# BRUSHCOVER ASSEMBLY -33" REV. A

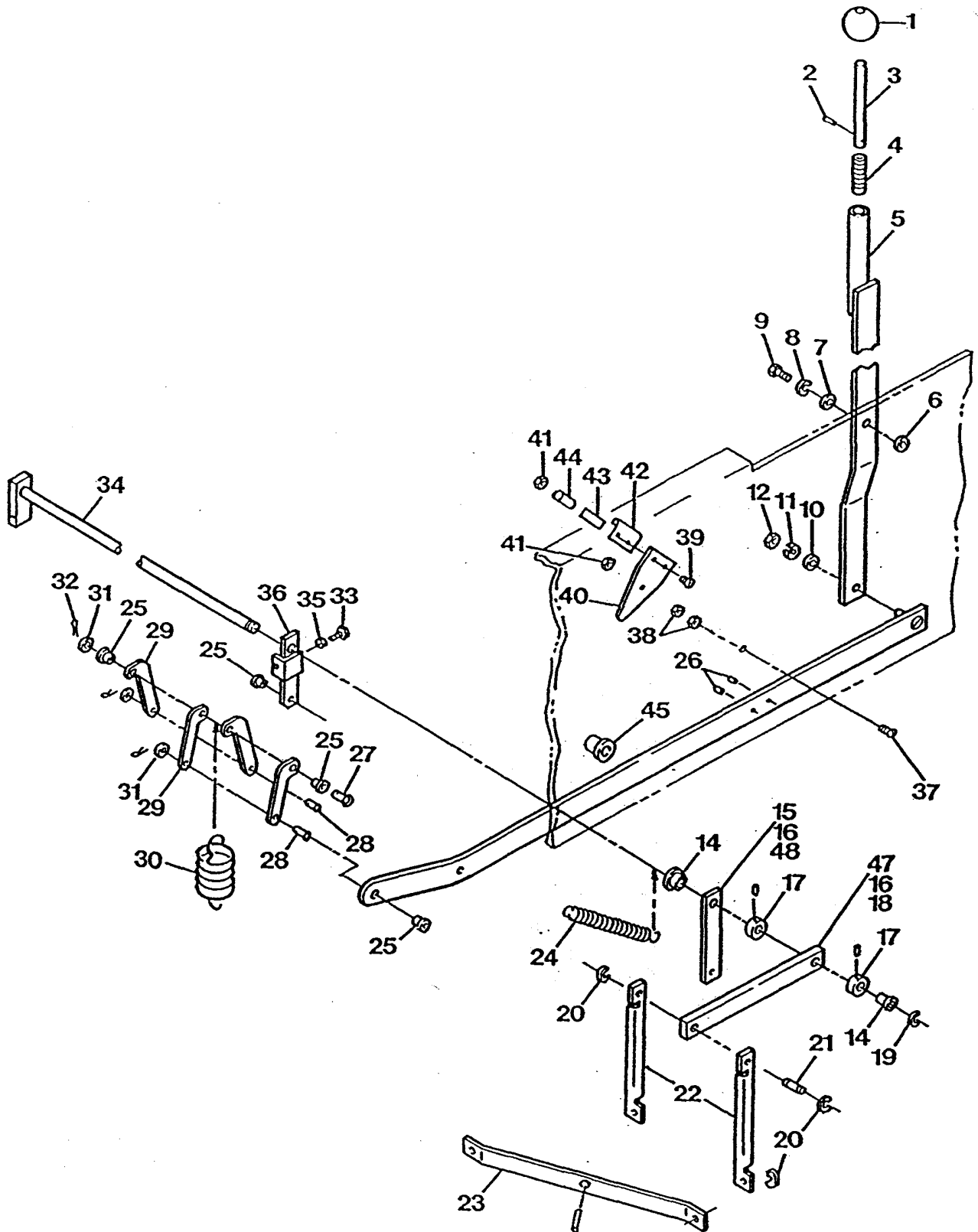


**BRUSH COVER ASSEMBLY-33"**

<b>Item No.</b>	<b>Qty.</b>	<b>Part No.</b>	<b>Description</b>
1	2	10436	COVER - RUB WHEEL
2	4	07723	WASHER-SPRING 1/2"
3	1	16472	SPRING-EXTENSION
4	2	18564	MOTOR-BRUSH(3/4HP)
5	2	17802	SCREW-SET SOCK.(NYLOCK) 3/8-16 X 1/2"
6	2	16737	COUPLER-BRUSH/PAD HOLDER
7	2	02568	WASHER-PLAIN (TYPE A)
8	4	16671	SCREW-HEX.HEAD CAP(NYLK)
9	3	16736	ABSORBER BLOCK
10	1	16731	ABSORBER BLOCK
11	1	19909	BRACKET M-R 26" & 33"
12	1	16729	BRACKET
13	1	16730	BRACKET,ADJUSTMENT
14	2	17160	SCREW-HEX.HEAD 1/4-20 X 3/4"
15	1	17752	RESTRAINER
16	1	17751	FLAT W/HOLES
17	2	18486	FITTING - PLASTIC ELBOW 3/8 NPT X 3/8
18	2	12554	WASHER-PLAIN 1/2" (PLASTIC)
19	1	16706	SCREW-HEX.HEAD CAP
20	2	06387	WASHER-LOCK(I/T)1/2"
21	1	16673	NUT-HEX (NICKEL)
22	1	16732	SPACER
23	1	16733	SHAFT,GROOVED
24	1	07551	PIN-HANDLE YOKE PIVOT
25	2	03301	WASHER-PLAIN 5/16"
26	6	15067	SCREW-PAN HEAD 5/16-18 X 3/4"
27	1	19884	BRUSHCOVER 33" WELDMENT
28	2	14817	WHEEL
29	1	18500	BUMPER
30	1	19891	LIFT BAR BRACKET
31	2	19886	LIFT BAR M-R 33"
32	2	03472	RING - RETAINING EXT
33	1	19917	SHAFT, GROOVED
34	2	02663	RING - RETAINING 1/2"
35	2	16581	WASHER - PLAIN 1/2"
36	1	17737	BUMPER STRAP
37	2	16672	SCREW - HEX. HEAD 5/16-18 x 3/4"
38	2	14500	SCREW - HEX. HEAD CAP 1/2-13 x 2-1/2"
39	2	10513	NUT - HEX JAM 1/2-13
40	1	16746	ARM
41	2	98566	PAD HOLDER

**NOTE:** Unless indicated, Part No. applies to all models.

# BRUSH LIFT ASSEMBLY - REV. A



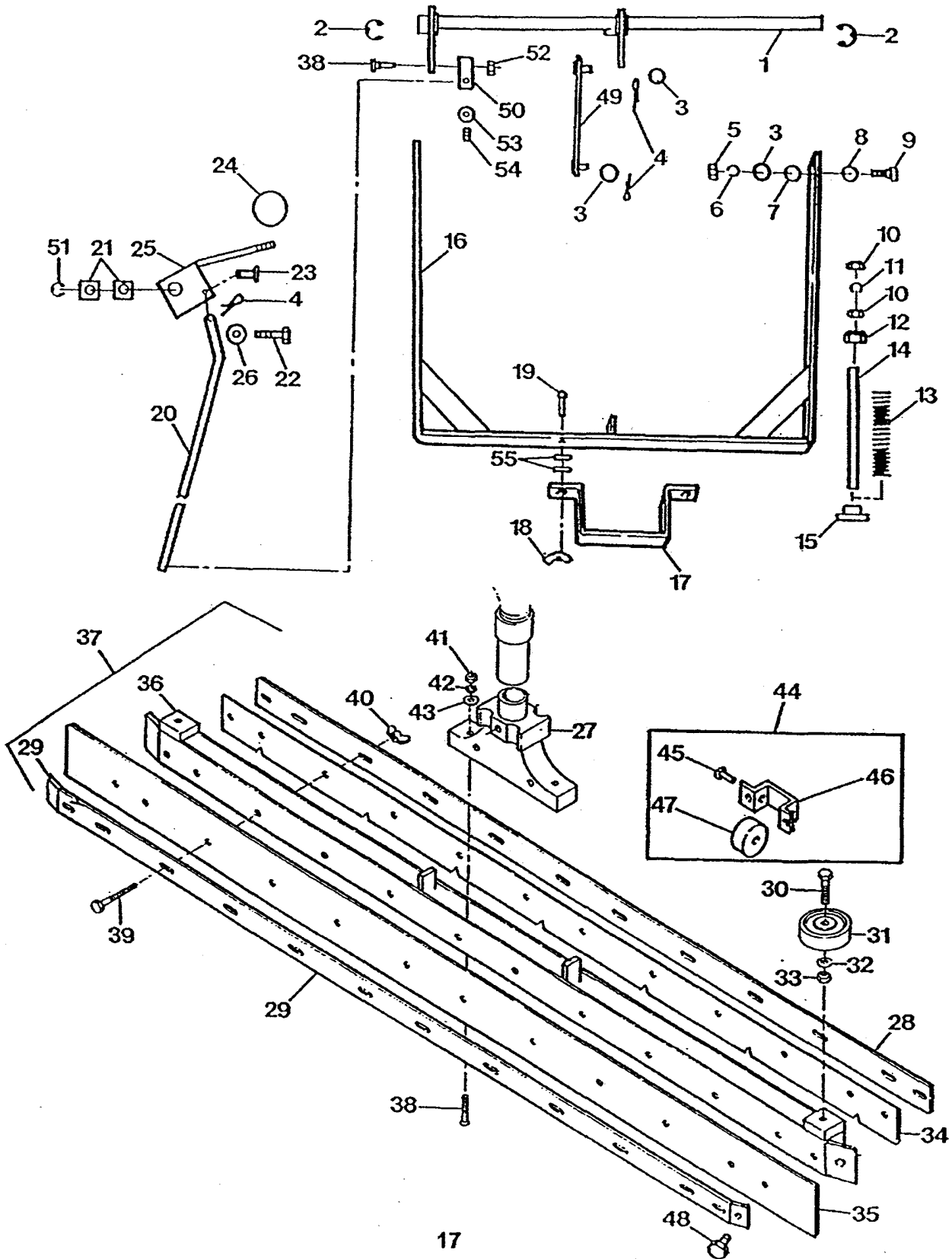
## BRUSH LIFT ASSEMBLY

Item No.	Qty.	Part No.	Description
1	1	03338	KNOB, BRUSH LIFT
2	1	03339	ROLL PIN, PLUNGER
3	1	03336	PLUNGER, BRUSH LIFT
4	1	03340	SPRING
5	1	10519	BRUSH HANDLE S/A
6	1	03658	WASHER
7	1	03736	LOCKWASHER
8	1	03536	WASHER
9	1	03959	SCREW
10	1	03301	WASHER
11	1	01577	WASHER, LOCK
12	1	01589	HUT, HEX
13	1	14829	LINK, BRUSH LIFT
14	2	03955	BUSHING, FLANGED
15	1	10631	LINK ASSEMBLY
16	3	02011	SCREW, SET
17	3	03964	COLLAR
18	1	11209	LINK
19	1	03946	E-RING
20	4	03470	E-RING
21	2	07551	PIN-HANDLE YOKE PIVOT
22	2	15313	MOTOR ADJUSTMENT SPACER
24	1	10530	SPRING, LIFT
25	4	03956	BUSHING, FLANGED
26	2	05537	PIN, GROOVE
27	1	14503	RIVET, SOLID
28	2	14502	RIVET, SOLID
29	4	03952	LINK
30	1	03939	SPRING
31	3	03736	WASHER
32	3	03395	PIN, COTTER
33	2	03361	SCREW, ADJUSTMENT
34	1	14830	BRUSH LIFT S/A
35	2	05282	NUT, JAM
36	1	14828	LINK ASSEMBLY
37	1	04725	SCREW
38	2	01477	NUT
39	2	11302	SCREW
40	1	17133	SWITCH, ACTUATOR
41	3	10894	LOCKNUT
42	1	17207	CLAMP, SWITCH
43	1	17208	PAD, RUBBER
44	1	17134	SWITCH TILT
45	1	10542	BEARING
47	2	11028	KEY
48	2	10568	KEY

NOTE: Unless indicated, Part No. applies to all models.



# SQUEEGEE ASSY. AND LIFT MECHANISM - REV. A



## SQUEEGEE ASSEMBLY AND LIFT MECHANISM

Item No.	Qty.	Part No.	Description
1	1	03845	SHAFT ASSEMBLY, SQUEEGEE LIFT
2	2	03472	RING, RETAINING
3	6	03301	WASHER
4	3	03395	PIN, COTTER
5	1	01589	NUT
6	4	01577	LOCKWASHER
7	2	03886	WASHER
8	2	15638	WASHER
9	2	14010	SCREW, SHOULDER
10	8	02581	NUT, JAM
11	2	03586	LOCKWASHER
12	2	03376	NUT, SPRING ADJUSTING
13	2	03373	SPRING, SQUEEGEE
14	2	13734	ROD, SQUEEGEE GUIDE
15	2	03375	SPRING GUIDE
16	1	10967	SQUEEGEE PIVOT ARM GUIDE SERVICE ASSEMBLY
17	1	10966	BRACKET, SQUEEGEE
18	2	03494	NUT, WING
19	2	03320	SCREW
20	1	03846	ROD, SQUEEGEE LIFT
21	2	03417	SPACER
22	1	16481	PIN
23	1	03393	PIN, LIFT
24	1	03418	KNOB, LIFT ROD
25	1	03416	BRACKET, SQUEEGEE LIFT
26	2	16581	SPACER, THICK
27	1	10971	NOZZLE THROAT
28	1	17250	RETAINER STRIP FRONT, 26"
	1	10468	RETAINER STRIP FRONT, 33"
29	1	17251	RETAINER STRIP REAR, 26"
		11698	RETAINER STRIP REAR, 33"
30	2	14500	SCREW
31	2	14817	WHEEL, RUB
32	4	07723	WASHER, WAVE
33	2	10513	NUT
34	1	10470	SQUEEGEE BLADE, FRONT, 33"
		17248	SQUEEGEE BLADE, FRONT, 26"
35	1	10471	SQUEEGEE BLADE, REAR, FIRM, 33"
		17249	SQUEEGEE BLADE, REAR, FIRM, 26"
		14627	SQUEEGEE BLADE, REAR, SOFT, 33"
36	1	11694	SQUEEGEE BODY, 33"
		17253	SQUEEGEE BODY, 26"
37	1	11696	SQUEEGEE ASSEMBLY, FIRM, 33"
		17302	SQUEEGEE ASSEMBLY, FIRM, 26"
		17303	SQUEEGEE ASSEMBLY, SOFT, 26"
38	3	03944	SCREW
39	8	07868	SCREW (QTY. 10 REQ'D FOR 33" MACHINE - 99407)
40	8	01019	NUT, WING (QTY. 10 REQ'D FOR 33" MACHINE - 99407)
41	2	01589	NUT
42	2	01577	WASHER, LOCK
43	2	03301	WASHER, FLAT
44	2	06394	WHEEL BRACKET ASSEMBLY
48	2	02046	SCREW
49	1	10524	LINK
50	1	11448	CLEVIS
51	1	16482	E-RING
52	2	01589	NUT
53	1	10694	NUT
54	1	03965	SET SCREW
55	2	03736	WASHER

NOTE: Unless indicated, Part No. applies to all models.

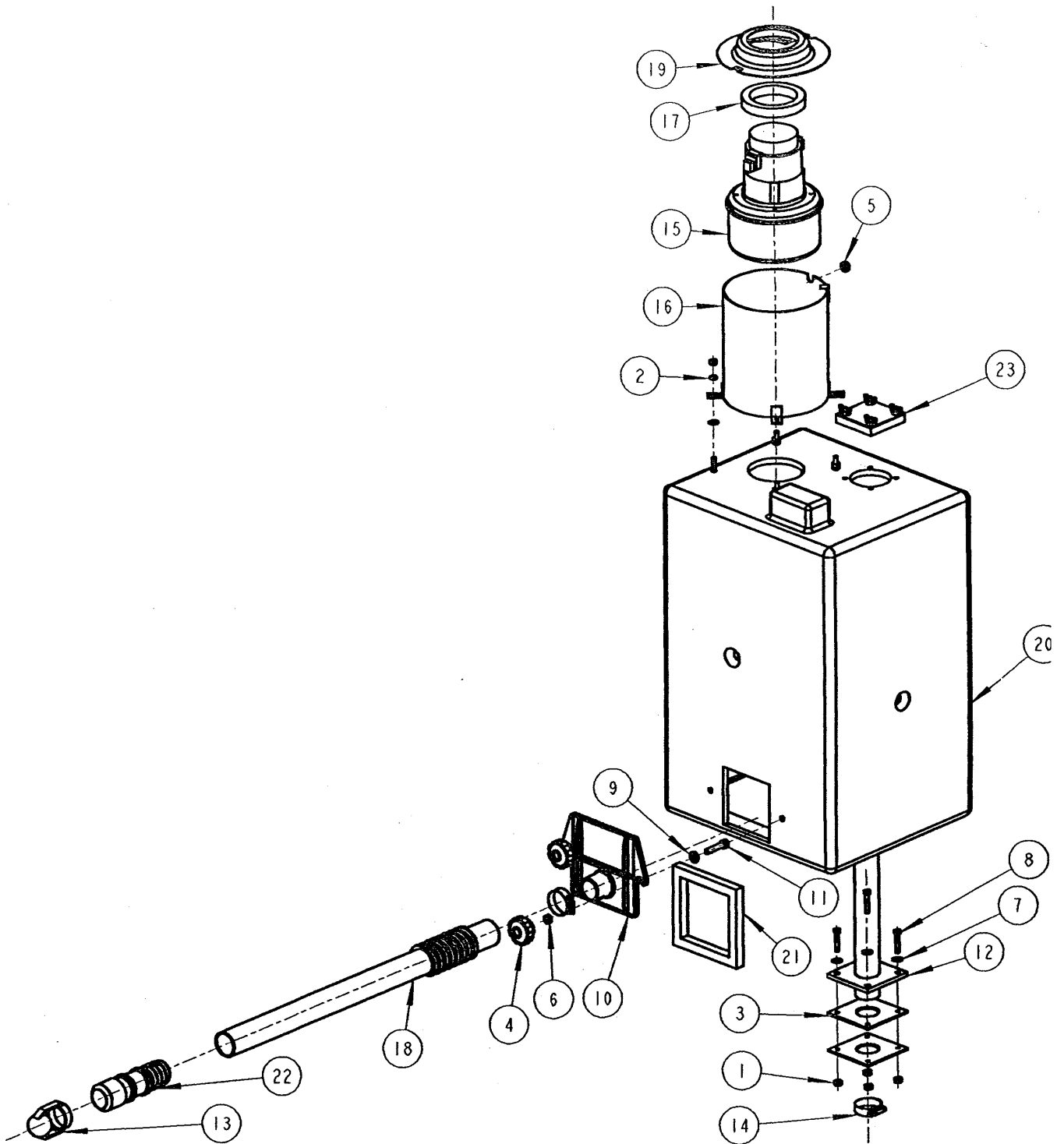


## SOLUTION TANK AND CONTROL SYSTEM

Item No.	Qty.	Part No.	Description
1,16	2	07533	NUT-HEX.LOCK(P/T)
2	1	15413	SPACER
3	1	14085	BUMPER
4	1	15461	SCREW, NYLON
5	4	01451	SCREW
6	1	13659	COVER
7	4	00617	NUT-HEX.MACH.SCR.
8	1	15381	TANK-SOLUTION(F/K-M/R)
9	1	16091	CLAMP-HOSE(SCREW)
10	1	19328	NIPPLE-3/4"
11,20	2	11323	TEE
12	2	11325	FITTING-GALV.ADAPTOR
13	2	06393	FITTING-BRASS CPL
14,28	1	16681	VALVE-DRAIN
18	1	03382	HOSE-SOLUTION DRAIN
17	2	17160	SCREW-HEX.HEAD
19	1	14210	BRACKET,SOL.DISP.
21	2	16457	HOSE
23	2	14209	TUBE, PLASTIC VENT
15	1	16682	HOSE - W/BELLOWS SECTION
24,43	2	16446	BARB-TEE
26	1	17308	CLAMP - HOSE NYLON
27	1	15740	FITTING - BARB
30	1	03409	PIN-COTTER
31	1	00851	WASHER
32	1	14178	SPACER PIVOT
33	1	14177	ROD - SOLUTION CONTROL
34	1	14182	BUSHING-SNAP
35	1	14228	TUBE, PLASTIC
36	1	14225	KNOB-1" BALL
37	1	19096	FILTER-SOLUTION
38	1	14180	GAGE, COLOR
39,40	2	03383	FITTING-HOSE
41,42	1	13491	FITTING-GALV.BUSHING
43	1	14229	BUSHING-NYLINER(5/16"D)

NOTE: Unless indicated, Part No. applies to all models.

# VACUUM TANK ASSEMBLY



## VACUUM TANK ASSEMBLY

BILL OF MATERIALS			
ITEM	QTY	PART NUMBER	DESCRIPTION
1	8	01497	NUT-FINISHED HEX 1/4-20
2	8	01574	LOCK WASHER 1/4"
3	2	03419	GASKET - STAND PIPE
4	2	03493	NUT-THUMB 5/16-18
5	1	04381	GROMMET 5/16 ID
6	2	05282	JAM NUT
7	8	07741	WASHER-SEALING 1/4
8	8	07744	SCREW-HEX HEAD MACHINE 1/4-20 X 1-5/16
9	2	10260	WASHER-SEALING
10	1	15535	TANK DRAIN PLATE
11	2	16031	SCREW-HEX HEAD CAP 5/16-18 X 1-1/2
12	1	16059	STANDPIPE ASSEMBLY
13	1	16089	PLUG-DRAIN HOSE
14	2	16091	CLAMP-HOSE (1-1/4 x 2)
15	1	16272	VACUUM MOTOR
16	1	16274	VACUUM SHROUD
17	1	16609	GASKET
18	1	16620	HOSE W/BELLOWS SECTION
19	1	17232	VACUUM SHROUD COVER/GASKET
20	1	17276	TANK-RECOVERY
21	1	17646	GASKET, DRAIN PLATE
22	1	18563	NOZZLE-DRAIN HOSE
23	1	31230	COVER
24	1	18925	FLOAT CAGE (M/R)
25	1	18771	FLOAT (L/R & M/R)
26	1	17274	DECAL
27	1	16277	VACUUM MOTOR ASS'Y (SERVICE ONLY)
28	1	16278	VACUUM MOTOR UPGRADE KIT
			REQUIRED TO UPGRADE FROM 2-STAGE TO 3-STAGE VAC MOTOR. INCLUDES ALL NECESSARY PARTS.

\*  
\*  
\*  
\*  
\*

\* NOT SHOWN



### WIRING DIAGRAM

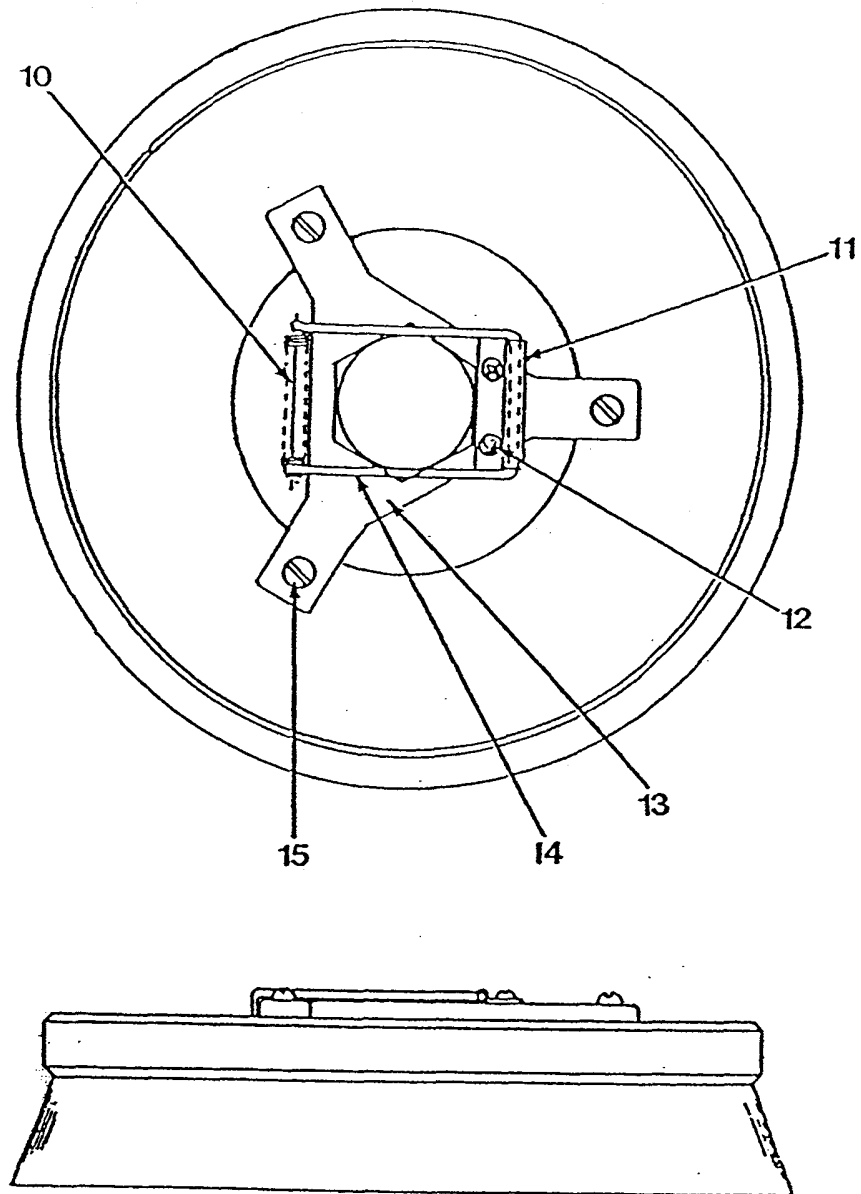
Item No.	Qty.	Part No.	Description
1	2	30086	WIRE NUT-BLUE
2	1	12329	GAGE-BATTERY CONDITION
3	1	10333	RELAY
4	1	30263	SPEED CONTROL MODULE
5	2	16924	SCREW-PAN HEAD(PHILLIPS)
6	1	30266	WIRING HARNESS, SPEED CONTROL
7	1	30266	WIRING HARNESS, SPEED CONTROL
8	1	30266	WIRING HARNESS, SPEED CONTROL
9	1	30266	WIRING HARNESS, SPEED CONTROL
10	1	03911	BUS BAR
11	4	03914	WASHER-PLAIN (BRASS)
12	4	03913	SCREW-FLAT HEAD 3/8-16 X 1"(BRASS)
13	4	03915	NUT-HEX.JAM
14	1	05215	SWITCH
15	4	05582	SCREW-SOCKET HEAD CAP 1/4-20 X 1"(COPPER FLSH)
16	1	05436	WIRE MARKER M2
17	1	05539	WIRE
18	4	16129	NUT-HEX.LOCK(KEPS) 1/4-20
19	1	06503	SWITCH
20	1	06508	JUMPER, SWITCH
21	1	03909	LEAD 8GA BLACK
22	1	10335	WIRE
23	1	10336	WIRE
24	1	10337	POSITIVE SWITCH LEAD
25	1	10338	JUMPER, RELAY
26	1	10339	WIRE
30	2	10517	WIRE
31	2	10518	WIRE
32	1	10549	TERMINAL BOARD
33	1	10629	POSITIVE LEAD
34	2	12318	INDICATOR LEAD
35	2	14227	CONNECTOR
36	1	14454	CIRCUIT BREAKER
38	2	15956	DOUBLE MALE CONNECTOR
39	1	18979	CABLE-BATTERY
40	1	18978	CABLE-BATTERY
41	2	19420	CABLE-BATTERY,JUMPER
43	2	15243	TERMINAL-CHARGER CONTACT
44	1	17134	SWITCH, TILT
46	2	17181	WIRE ASSY., VAC MOTOR
47	1	15242	CONNECTOR-CHARGER(36V)
48	2	02958	NUT-HEX.LOCK(KEPS)
50	1	18977	CABLE-BATTERY/LIGHT 6 GA. X 13"BLK/37"ORANGE

\*NOT SHOWN

NOTE: Unless indicated, Part No. applies to all models.



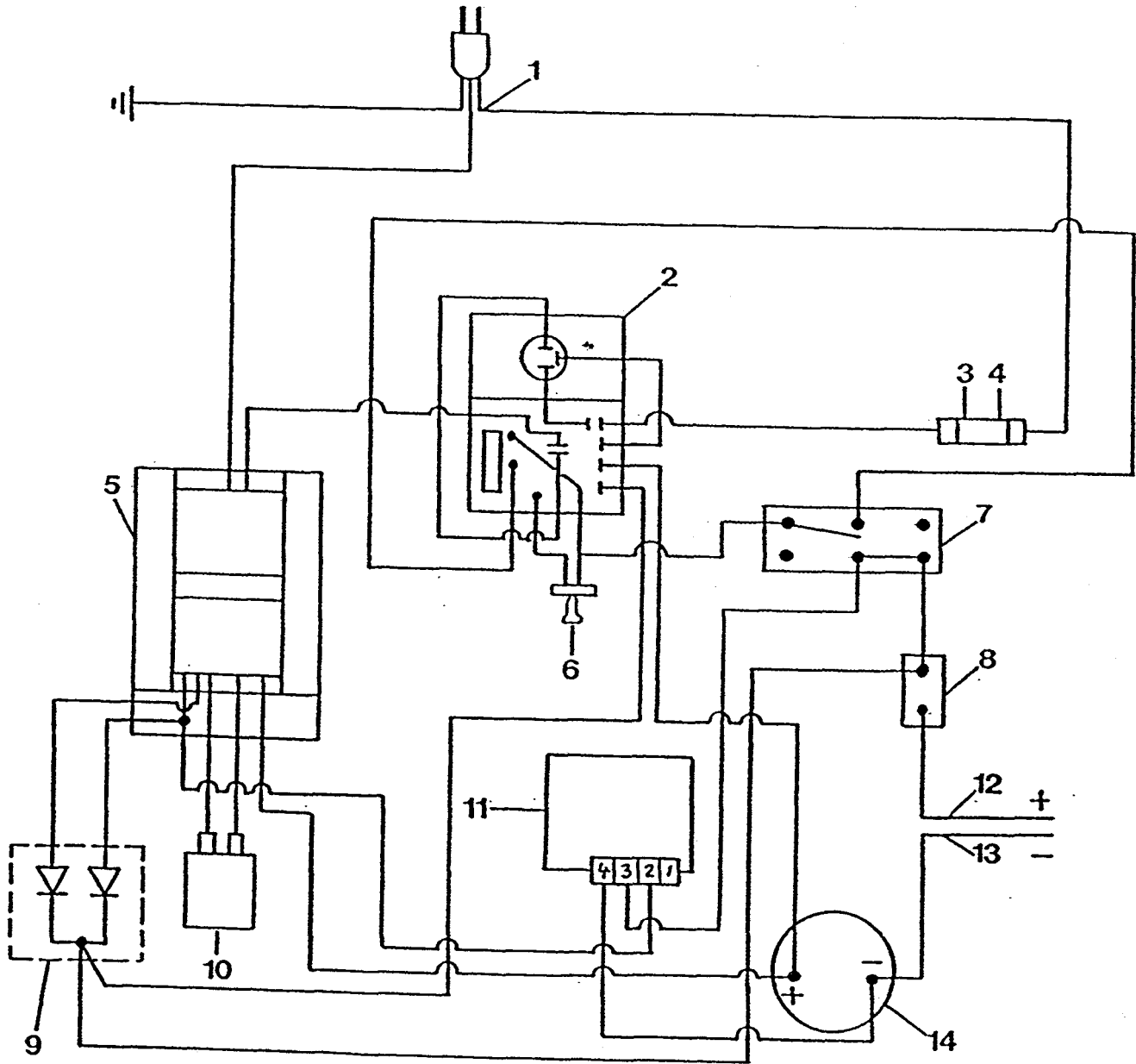
# BRUSH COMPONENTS - REV. A



## BATTERY COMPONENTS

Item No.	Qty.	Part No.	Description
1	1	16317	BATTERY TRAY
2	3	99519	BATTERY-12V/185AH(WET)
2	3	99512	BATTERY-12V/215AH(WET)

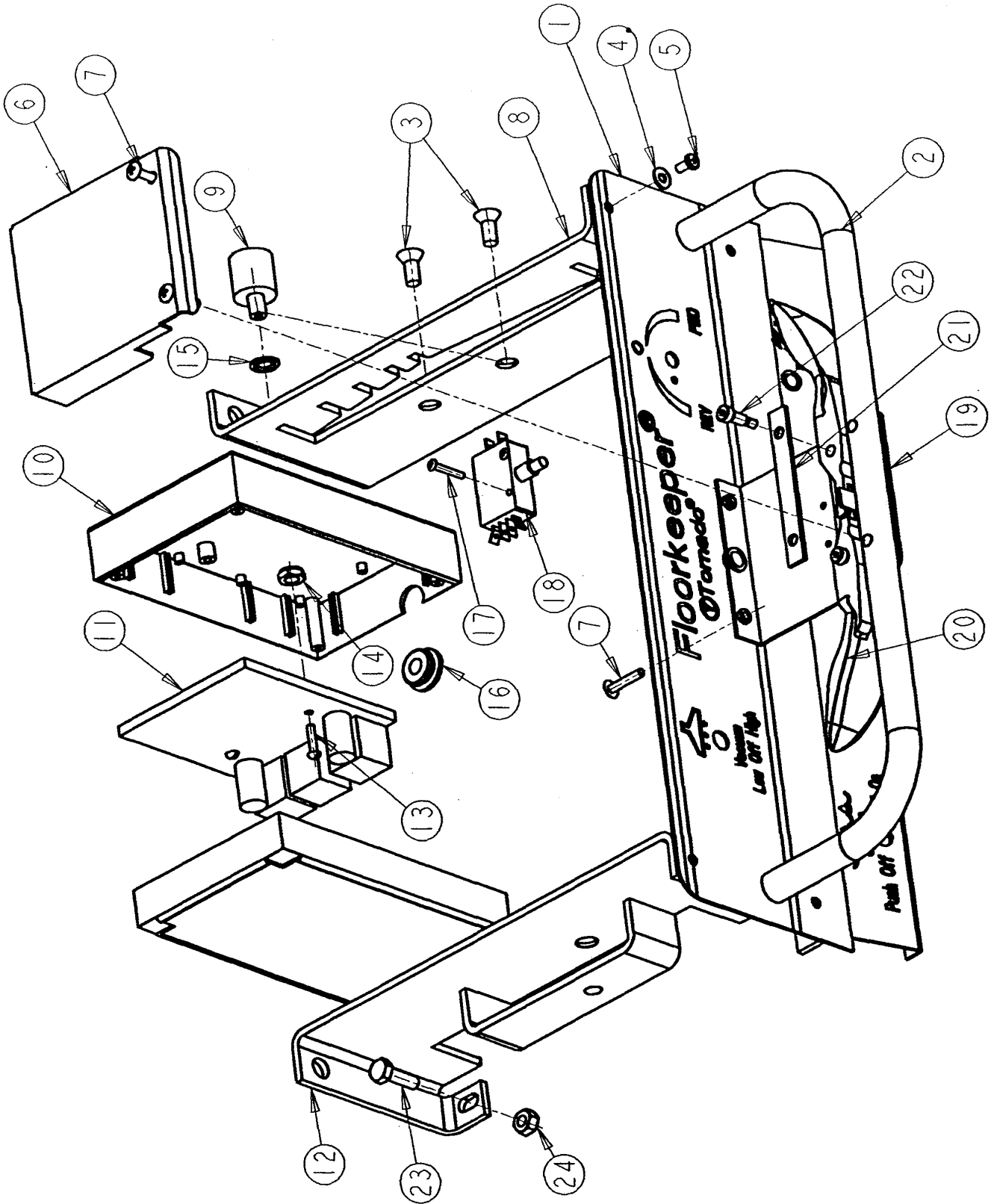
# BATTERY CHARGER 99515 - REV. A



### BATTERY CHARGER 99515

---

Item No.	Qty.	Part No.	Description
1	1	22498	CORD, AC WITH PLUG
3	1	24013	FUSE HOLDER, AC
4	1	10218	FUSE, AC
6	1	22544	SWITCH, STOP
7	1	23349	SWITCH, START
8	1	22495	CIRCUIT BREAKER
9	1	10207	RECTIFIERS WITH MOUNTING PLATE
10	1	10210	CAPACITOR
12	1	10414	DC OUTPUT CABLE, POSITIVE
13	1	10415	DC OUTPUT CABLE, NEGATIVE
14	1	22497	AMMETER
*	1	02961	STRAIN RELIEF BUSHING



## CONTROL

Item No.	Qty.	Part No.	Description
1	1	19940	PANEL-FRONT (MIDRANGE)
2	1	19950	HANDLE-MIDRANGE
3	2	03922	SCREW-FLAT HD.SOCKET CAP 5/16-18 X 3/4"
4	4	00696	WASHER-PLAIN #10
5	4	03261	SCREW-TCT (F) PAN HEAD #10-32 X 3/8"
6	1	19963	HOUSING-SWITCH BOX (STL)
7	4	17862	SCREW-TRUSS HEAD #10-32 X 1" (SS)
8	1	30449	FRAME-UPPER (RH SIDE)
9	2	30216	STANDOFF-CUSTOM (CRS)
10	1	19943	ENCLOSURE (MIDRANGE)
11	1	30263	SPEED CONTROLLER (MR)
12	1	30448	FRAME-UPPER (LH SIDE)
13	2	00600	SCREW-RND HEAD #8-32 X 3/4"
14	2	03868	NUT - HEX. LOCK(NYL.INS.) 3/8-16
15	2	30217	WASHER-SEALING 3/8"
16	1	04145	GROMMET 3/8 ID X 9/64 WALL
17	2	06686	SCREW-RHD. HD. #6-32 X 1"
18	1	19357	SWITCH-PUSH BUTTON (DPST)
19	1	19964	SWITCH BOX-BOTTOM (MR)
20	2	19358	LEVER-HANDLE SWITCH
21	1	30911	BRACKET-PLATE
22	2	19692	SCREW - SHOULDER-STEEL 1/4"D X 3/8"
23	4	03361	SCREW - HEX HEAD CAP 5/16-18 X 1"
24	4	01589	NUT - HEX, LOCK (P/T NYLOK) 5/16-18