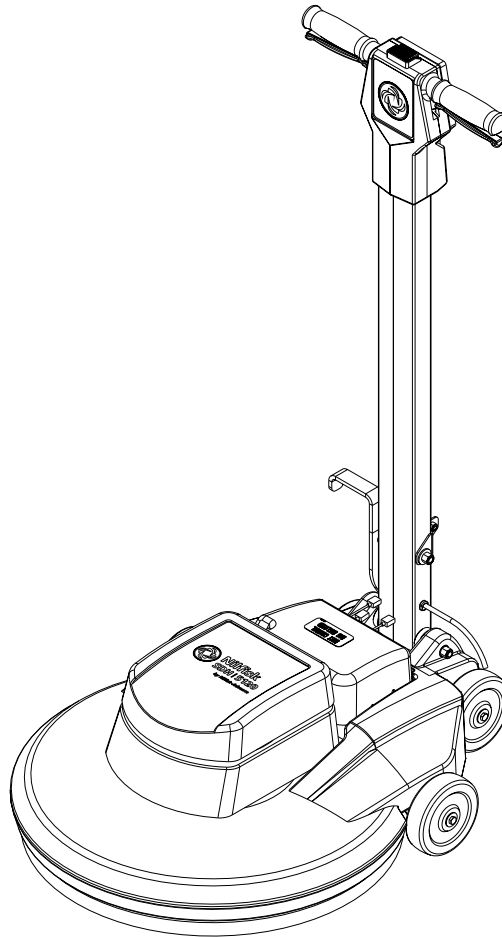


# SDH 5120

---

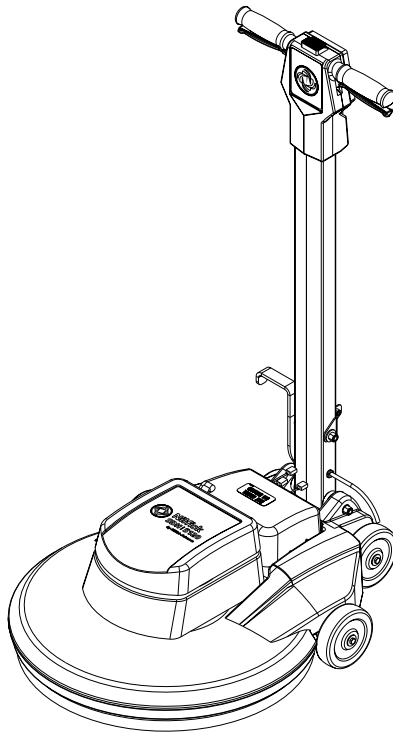


## PARTS LIST

**Nilfisk MODELS 56201504, 56201800**



**Nilfisk  
Advance**  
*setting standards*

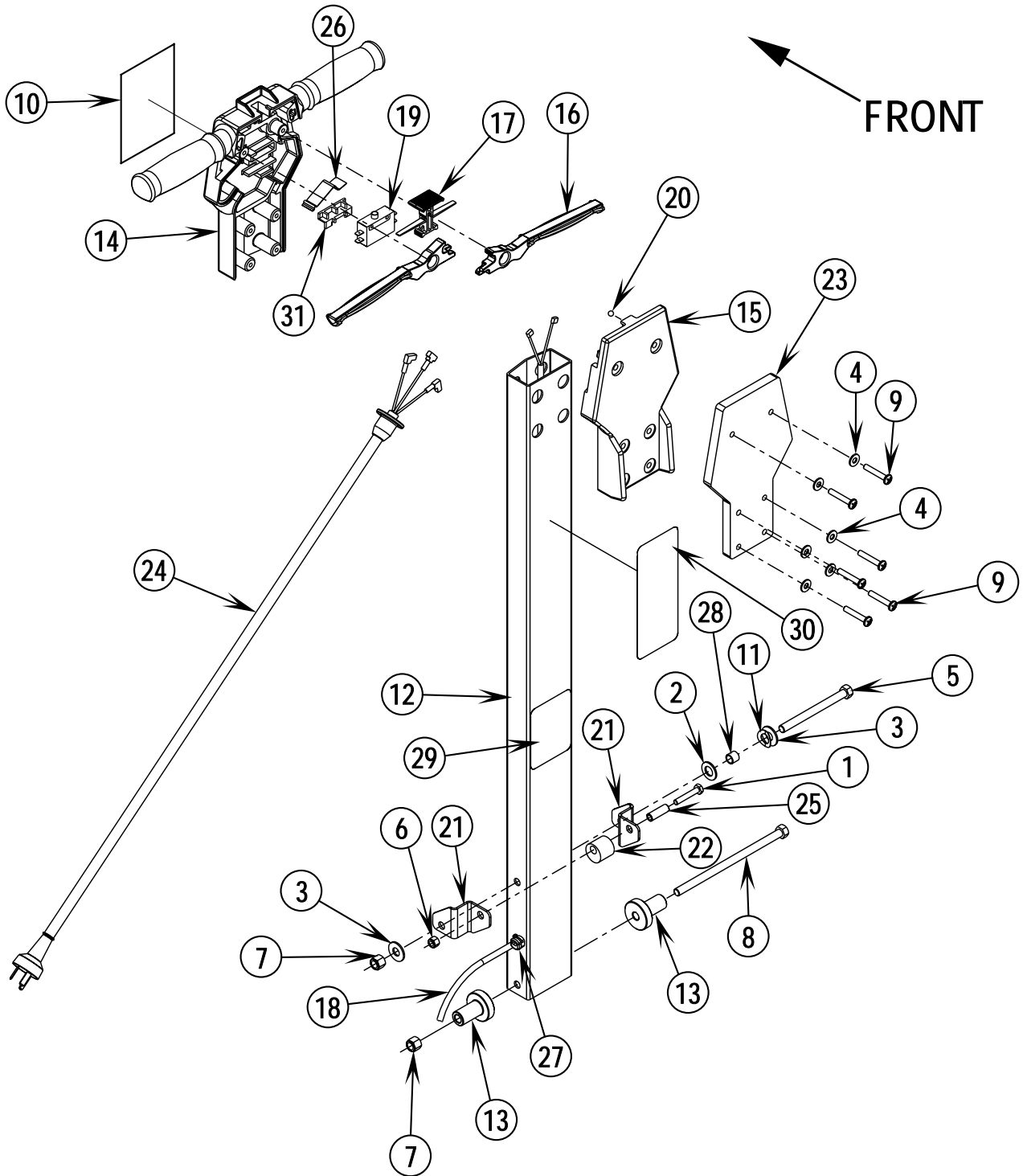
**DESCRIPTION****PLAN**

Handle System .....	D-3.6.1-3
Base System / Wiring Diagram.....	D-3.6.1-5

**WHEN ORDERING PARTS**

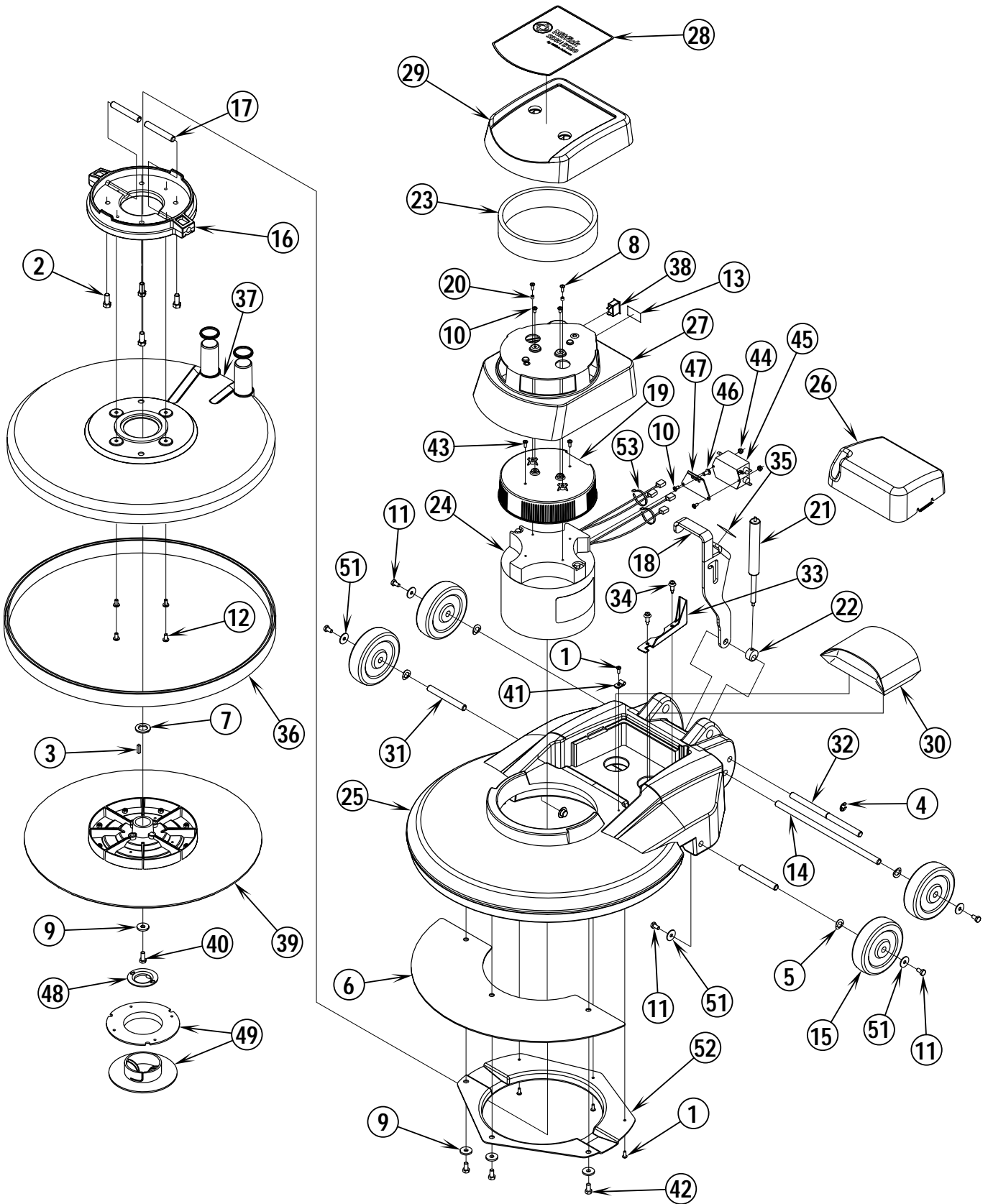
- \* Use the 8 digit numbers from the "Ref. No." columns in this parts list.
- \* Specify the model and serial number of the machine.
- \* Use the space below to record the model and serial number for future reference.

Model \_\_\_\_\_ Serial No. \_\_\_\_\_



97-5	<b>HANDLE SYSTEM</b>	<b>BOOK D</b>		
03-10	<b>SDH 5120</b>	<b>D</b>	<b>3.6.1</b>	<b>3</b>

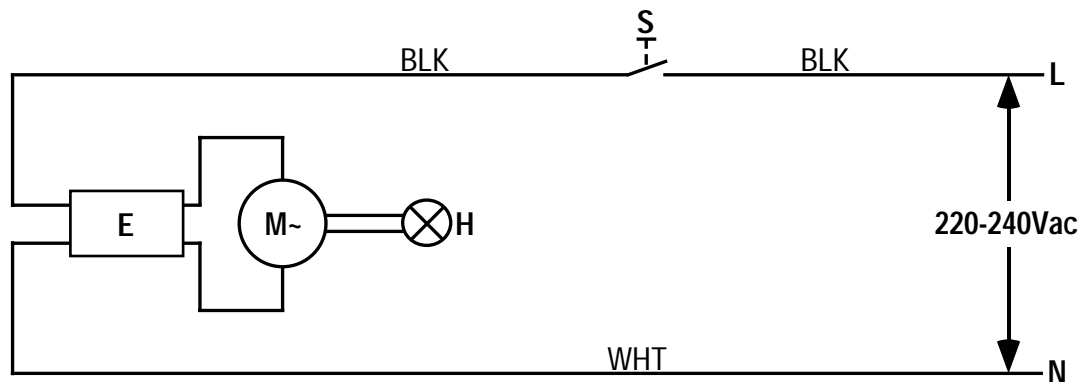
Item	Ref. No.	Qty	Description
1	56001833	1	Scr, Hex Hd 1/4-20 x 1.50
2	56009003	1	Wsh, Flt 1/2
3	56002055	2	Wsh, Flt STD 3/8
4	56002098	6	Wsh, Flt SAE 1/4 <b>(before SN 1401498)</b>
5	56009241	1	Scr, Hex Hd 3/8-16 x 4.25
6	56002708	1	Nut, Hex Nyl Loc 1/4-20
7	56002769	2	Nut, Hex Nyl Loc 3/8-16
8	56002777	1	Scr, Hex Hd 3/8-16 x 7.00
9	56002786	6	Scr, Pan Phil 1/4-20 x 1.50 <b>(before SN 1401498)</b>
	56002108	6	Scr, Pan Phil 1/4-20 x 2.00 <b>(after SN 1401497)</b>
10	56016426	1	Decal, Logo
11	56009001	1	Wsh, Bowed .51 x .90 x .008
12	56201587	1	Handle Tube <b>(before SN 1401498)</b>
	56201510	1	Handle Tube <b>(after SN 1401497)</b>
13	56201016	2	Bushing
14	56201560	1	Handle
15	56201058	1	Handle Cover
16	56201027	2	Handle Lever
17	56201031	1	Button, Lock
18	56201574	1	Cord Assembly 14/3
19	56201648	1	Switch, N.O. DPDT Snap <b>TSBUS2003-857</b>
20	56201592	1	Ball
21	56201523	2	Bracket
22	56201525	1	Mount, Cylinder
23	56201526	1	Weight, Handle <b>(before SN 1401498)</b>
	56201507	1	Weight, Handle <b>(after SN 1401497)</b>
24	56201573	1	Power Cord <b>(Model 56201504)</b>
	56201718	1	Power Cord <b>(Model 56201800 / Argentina)</b>
25	56201531	1	Bushing
26	56263648	1	Spring, Plate
27	56201596	1	Strain Relief
28	56388326	1	Bushing
29	56016064	1	Decal, Latch
30	56014828	1	Decal, Warning
31	56201647	1	Spacer, Plastic <b>TSBUS2003-857</b>



97-5	<b>BASE SYSTEM</b>	<b>BOOK D</b>		
02-10	<b>SDH 5120</b>	<b>D</b>	<b>3.6.1</b>	<b>5</b>

Item	Ref. No.	Qty	Description	Item	Ref. No.	Qty	Description
1	56009191	4	Scr, Pan Phil Plastite 10-14 x .50	26	56201595	1	Shroud, Vac
2	56002271	4	Scr, Hex Hd 3/8-16 x .88	27	56201554	1	Shroud, Motor
3	56003238	1	Key, Sq. .19 x .78	28	56016473	1	Decal, Cover
4	56003264	1	Ring, Ret Ext Type E	29	56201593	1	Cover, Motor
5	56009001	A/R	Wsh, Bowed .51 x .90 x .008	30	56201569	A/R	Bag, Vac <b>(10 Pack)</b>
6	56201585	1	Plate	31	56201090	2	Pin, Axle
7	56009022	1	Wsh, Flt .75 x 1.25 x .12	32	56201562	1	Pin
8	56001993	2	Scr, Pan Phil 10-24 x .50	33	56201563	1	Plate, Cord
9	56009057	4	Wsh, Flt Harden .34 x 1.00 x .12	34	56201564	2	Panel Fastener
10	56002043	4	Scr, Pan Phil 10-24 x .38	35	56201572	1	Grip Surface
11	56003039	6	Scr, Hex Loc 1/4-20 x .50	36	56393565	1	Skirt Assembly
12	56009062	4	Scr, Pan Phil Thd Form 1/4-20 x .50	37	56201571	1	Shroud Assembly <b>TSB 689</b>
13	56015914	1	Decal, Brush Wear Indicator		56201617	1	Gasket
14	56201089	1	Axle	38	56755578	1	Brush Wear Indicator Light 220-240V
15	56201018	4	Wheel 5.00 x 1.50	39	56201534	1	Pad Holder Assembly <b>(includes #48 &amp; 49)</b>
16	56201591	1	Cup	40	56002956	1	Scr, Hex Hd Loc 5/16-18 x .75
17	56201515	2	Pin	41	56481890	1	P-Clamp
18	56201516	1	Latch	42	56002035	3	Scr, Hex Hd 5/16-18 x .62
19	56201576	1	Guard	43	56009029	2	Scr, Pan Phil Thd Form 10-24 x .50
20	56201521	2	Bushing	44	56002832	2	Nut, Hex Nyl Loc-Thin 10-24
21	56201522	1	Spring, Gas	45	56201557	1	Filter, RFI
22	56201524	1	End, Fitting	46	56002145	1	Scr, Pan Phil 1/4-20 x .50
23	56201528	1	Filter	47	56201556	1	Bracket
24	56201542	1	Motor 220-240V, 1.5HP, 1800RPM	48	56201579	1	Cover, Hub
*	56201580	1	Armature w/bearings	49	56393567	1	Pad Retainer
*	56201582	4	Carbon Brush	50			<b>Intentionally Omitted</b>
*	56183569	4	Carbon Brush Springs	51	56009002	6	Wsh, Flt .26 x .90 x .008
*	56180163	1	Rectifier	52	56201533	1	Guard
*	56378380	1	Top Bearing	53	56478246	2	Tie, Cable
*	56372773	1	Bottom Bearing	**	56388354	1	Pad, Burnishing 20" <b>(case of 5)</b>
*	56183016	1	Commutator Bracket	**	56505551	1	Union Mix Brush, Burnishing 20"
*	56201581	1	Brush Board Ass	**	56505550	1	Tampico Brush, Burnishing 20"
*	56201548	1	End Bell				
25	56201543	1	Base Housing				

\* = Not Shown  
\*\* = Not Included



Item	Ref. No.	Qty	Description
S	56201648	1	Switch, N.O. DPDT S.50 <b>TSBUS2003-857</b>
M	56201542	1	Motor 220-240V, 1.5HP, 1800RPM
H	56755578	1	Brush Wear Indicator Light 220-240V
E	56201557	1	Filter, RFI

DK-2605 Broendby  
43 23 83 50 – Fax 43 42 15 95

#### **NORGE**

Nilfisk-Advance AS  
Enebakkvn, 119, 0680 Oslo, Postboks 196, Mangroveveien 1  
0612 Oslo  
22 08 63 50 – Fax 22 08 63 63  
Distriktsrepresentanter over hele landet

#### **SVERIGE**

Nilfisk-Advance AB  
Sjöbjörnsvägen 5, 117 67 Stockholm  
085 55 944 00 – Fax 085 55 944 30

#### **FINLAND/ SUOMI**

BERNER Ltd. Facotek Department  
Etäläntä 4B, 00130 Helsinki  
+358 9 1345 1382

#### **AUSTRALIA**

Nilfisk-Advance Pty. Ltd.  
48 Egerton Street  
Silverwater NSW 2128  
(02) 8748 5905 – Fax (02) 9648 2711  
Customer Responce Centre:  
1 800 011 013

#### **BELGIQUE / BELGIË/ LUXEMBOURG**

Nilfisk-Advance s.a./n.v.  
Doornveld/ Sphere Business Park  
Industrie Asse 3, nr 11 – bus 41  
1731 Zellik-Asse  
(02) 467.60.50 Fax (02) 463.44.16

#### **CANADA**

Nilfisk-Advance Ltd.  
396 Watline Avenue  
Mississauga, Ontario L4Z 1X  
(905) 712-3260 – Fax (905) 712-3255

#### **DEUTSCHLAND**

Nilfisk-Advance AG  
Siemensstraße 25-27  
25462 Rellingen  
(041 01) 3990 – Fax (04101) 399191  
Zentraler Kundenservice  
für die Industrie: 0180 535 67 97  
Institutionen und Gebäudereiniger: 0180 500 500

#### **FRANCE**

Nilfisk-Advance S.A.  
BP 246  
91944 Courtaboeuf Cedex  
(01) 69.59.87.00 Télécopie (01) 69.59.87.01

Industrial Building  
31-39 Wo Tong Tsui Street  
Kwai Chung, N.T.  
2427 59 51 – Fax 2487 5828

#### **IRELAND**

Nilfisk-Advance Ltd.  
28 Sandyford Office Park  
Dublin 18  
+353 1 2943838 – Fax +353 1 2943845

#### **JAPAN**

Nilfisk-Advance Inc.  
3-4-9 Chigasaki Minami  
Tsuzuki-Ku Yokohama 224 0037  
045-942-7741 – Fax 045-942-6545

#### **MALAYSIA**

Nilfisk-Advance Sdn Bhd  
Lot 2, 1. Floor  
Lorong 19/1A  
46300 Petaling Jaya  
Selangor Darul Ehsan  
03-7568188 / 03-7568189 / 03-7568388 – Fax 03-7568388

#### **NEDERLAND**

Nilfisk-Advance B.V.  
Flevolaan 7, Postbus 341  
1380 AH Weesp  
0294-462121 – Fax 0294-430053

#### **NEW ZEALAND**

Nilfisk-Advance Limited  
477 Great South Road, Penrose  
Auckland  
(09) 525 0092 – Fax (09) 525 6440

#### **SCHWEIZ / SUISSE**

Nilfisk-Advance AG  
Ringstrasse 19, 9533 Kirchberg/Wil  
719 23 52 83 – Fax 719 23 84 44

#### **SINGAPORE**

Nilfisk-Advance Pte. Ltd.  
22, Woodlands Industrial Park E1  
Singapore 757740  
(65) 759 9100 – Fax (65) 759 9133

#### **TAIWAN**

Nilfisk-Advance Ltd.  
1 F, No.23, Lane 132, Sec. 2  
Ta An Road, Taipei  
700 22 68 – Fax 784 08 43

Bury St. Edmunds  
Suffolk IP 33 3SR  
(01284) 763163 – Fax (01284) 750562

#### **USA**

Nilfisk-Advance Inc.  
14600 2<sup>nd</sup> Avenue North  
Plymouth, MN 55447-3408  
+1 800 989 2235 – Fax 1 800 989 6566

Nilfisk-Advance of America, Inc.  
300 Technology Drive  
Malvern, PA 19355  
(610) 647 647-6427

#### **ÖSTERREICH**

Nilfisk-Advance GmbH  
Vorarlberg Allee 46  
1230 Wien  
1 616 58 30 – Fax 1 616 58 30 40

#### **ESPAÑA**

Nilfisk-Advance, S.A.  
75662 Ara  
Passeig del Rengle, 5 Pl.9-10  
E-08302 – Mataró (Barcelona)  
Tel. 93 741 24 00 – Fax: 93 757 80 20  
Central atención al cliente: 902 200 201  
–

Distribuidores y Servicio Técnico en toda España  
y Andorra

#### **ITALIA**

Nilfisk-Advance Italia Spa  
Località Novella Terza  
26862 Guardamiglio (LO)  
Italy  
+39 0377 414067-54 – Fax +39 0377 414097

#### **PORTUGAL**

Nilfisk-Advance Lda.  
Rua Cândido de Figueiredo, 91-i, 1500-133 LISBOA  
01/7784142 – Fax 01/7785613  
Porto 02/526766 – Fax 02/520739  
Açores 096/628092/3 – Fax 096/628129  
Madeira 091/228965 – Fax 091/228796

#### **GREECE**

ΣΑ Ε. ΡΟ ΤΕ.ΑΙ=ΟΕ 60  
ΥΑ ΥΟ, ΟΙΕ  
164 52 5<sup>0</sup>  
9950613 - Fax 9951680



# Material Composition of the Nilfisk SDH 5120

