



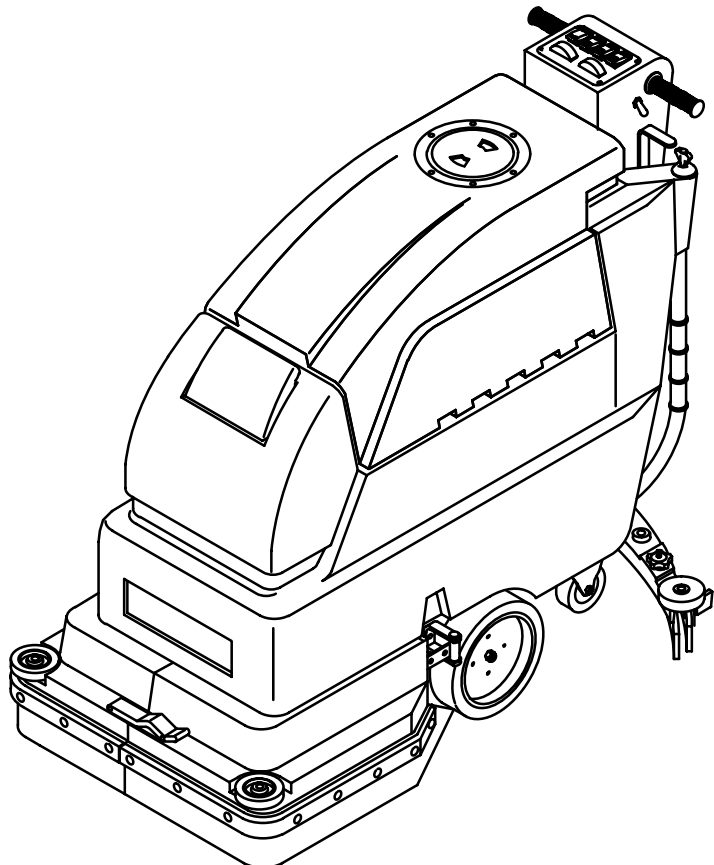
Speed Scrub™ 2401/2601

Automatic Scrubber
Fregadora Automática

Model No.:

- 612215 – 2401
- 612216 – 2401 Pac
- 612100 – 2401 Can. Pac
- 612217 – 2601
- 612219 – 2601 Pac
- 612496 – 2601 Can. Pac

**Operator and Parts Manual
Manual del Operador y Piezas**

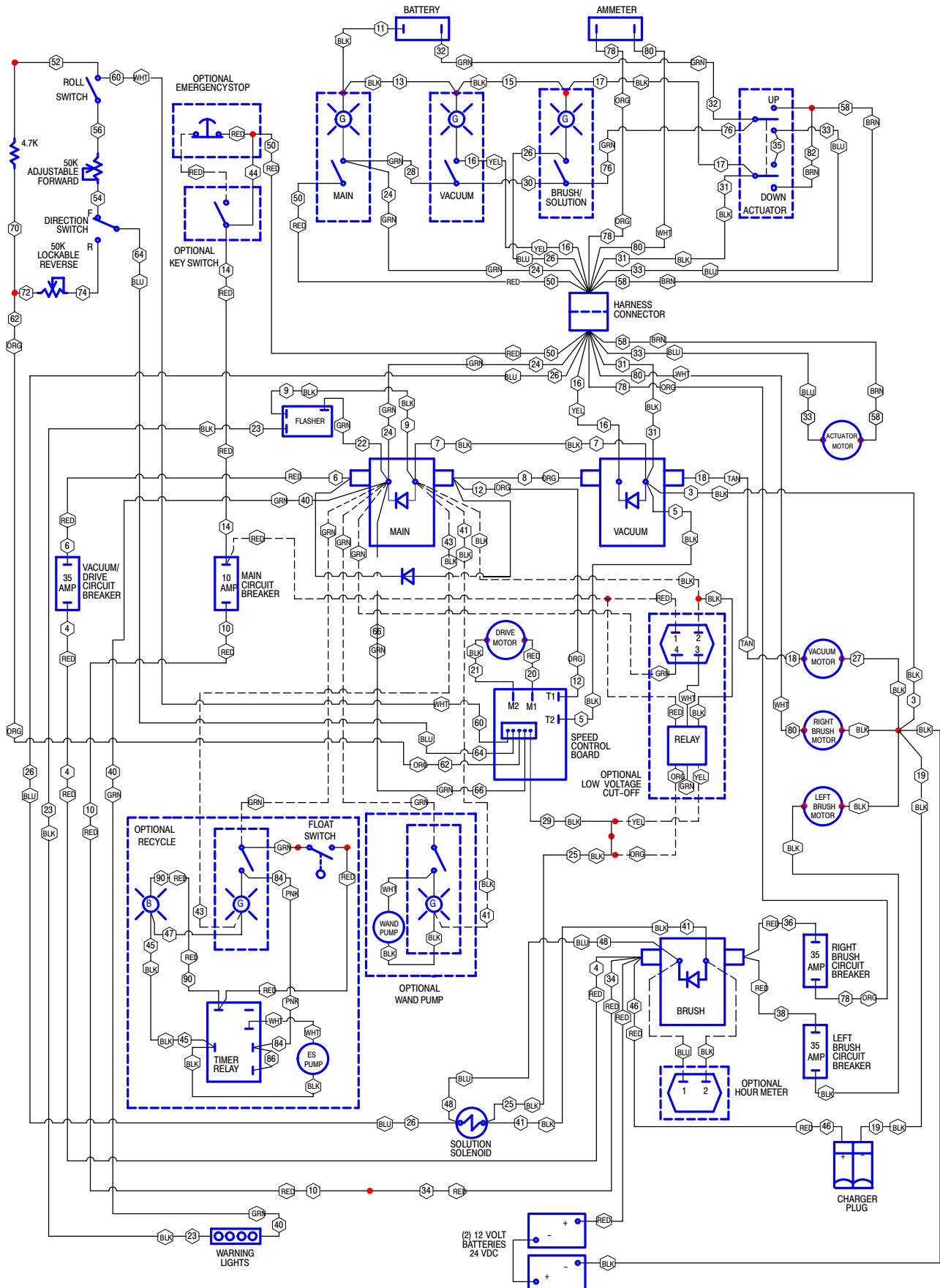


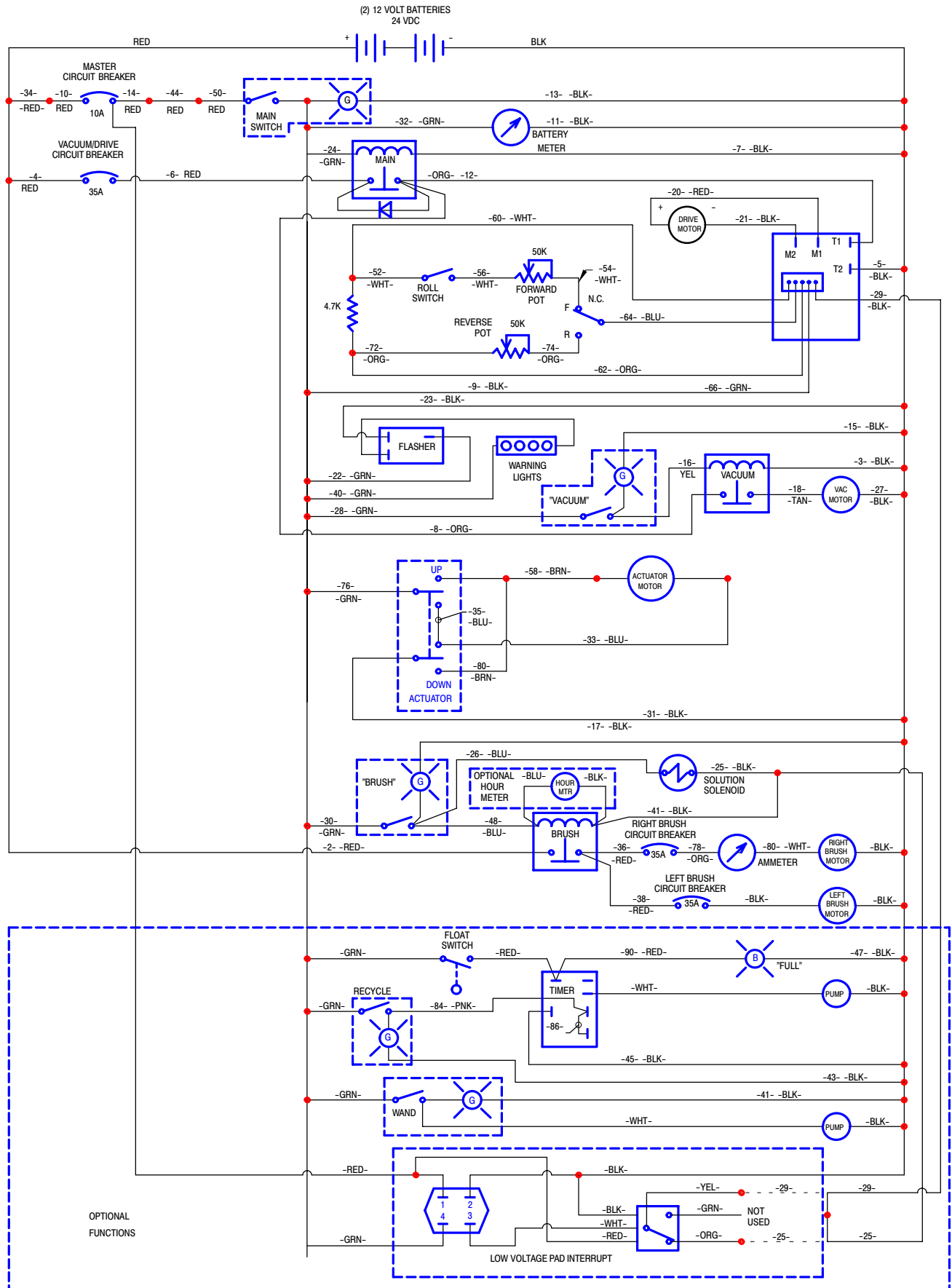
NOBLES
12875 RANSOM STREET
HOLLAND MI 49424 U.S.A.

**CUSTOMER SERVICE: 1-800-365-6625
FAX: 1-800-678-4240**

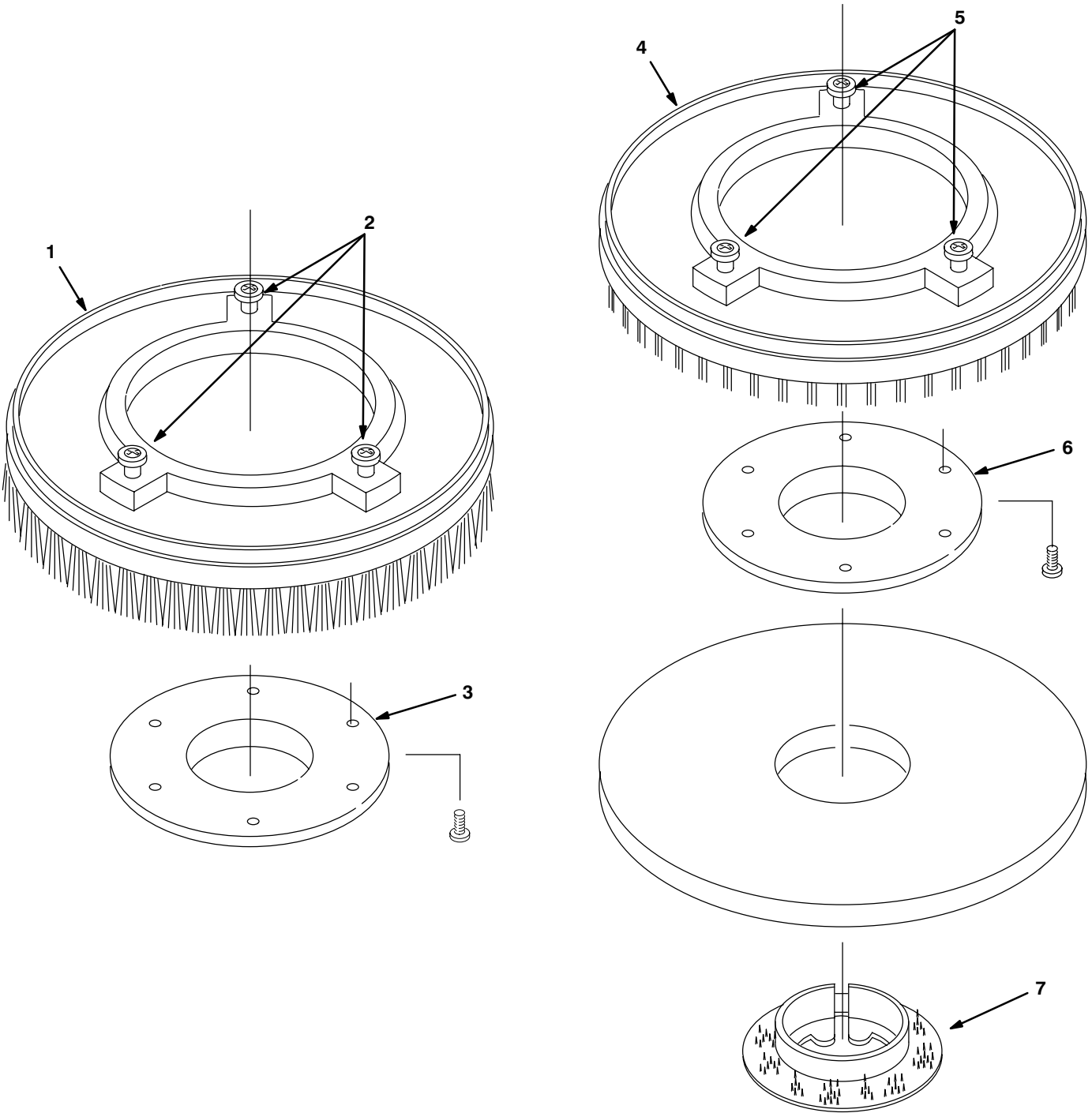
**612815
Rev. 00 (09-01)**

ELECTRICAL DIAGRAMS DIAGRAMAS ELECTRICAS





REPLACEMENT BRUSHES AND PAD DRIVER GROUP
CEPILLO DEL REEMPLAZO Y GRUPO DEL MANDO DE LA ALMOHADILLA



REPLACEMENT BRUSHES AND PAD DRIVER GROUP
CEPILLO DEL REEMPLAZO Y GRUPO DEL MANDO DE LA ALMOHADILLA

| REF | PART # | DESCRIPTION | QTY. |
|-----|--------|--|------|
| ▽ 1 | 240260 | ●BRUSH, POLY-SCRUB 2/PK 305MM (12") | 2 |
| | 603159 | ●BRUSH, POLY-SCRUB 2/PK 330MM (13") | 2 |
| | 240261 | ●BRUSH, DYNA-SCRUB 2/PK 305MM (12") | 2 |
| | 603160 | ●BRUSH, DYNA-SCRUB 2/PK 330MM (13") | 2 |
| | 240259 | ●BRUSH, STRATA SCRUB/STRIP 2/PK 305MM (12") | 2 |
| | 603161 | ●BRUSH, STRATA SCRUB/STRIP 2/PK 330MM (13") | 2 |
| ▲ 2 | 240238 | ●LUGS, W/ SCREWS (SET OF 3) | 6 |
| ▲ 3 | 100106 | ●PLATE, PAD DRIVER BASE | 2 |

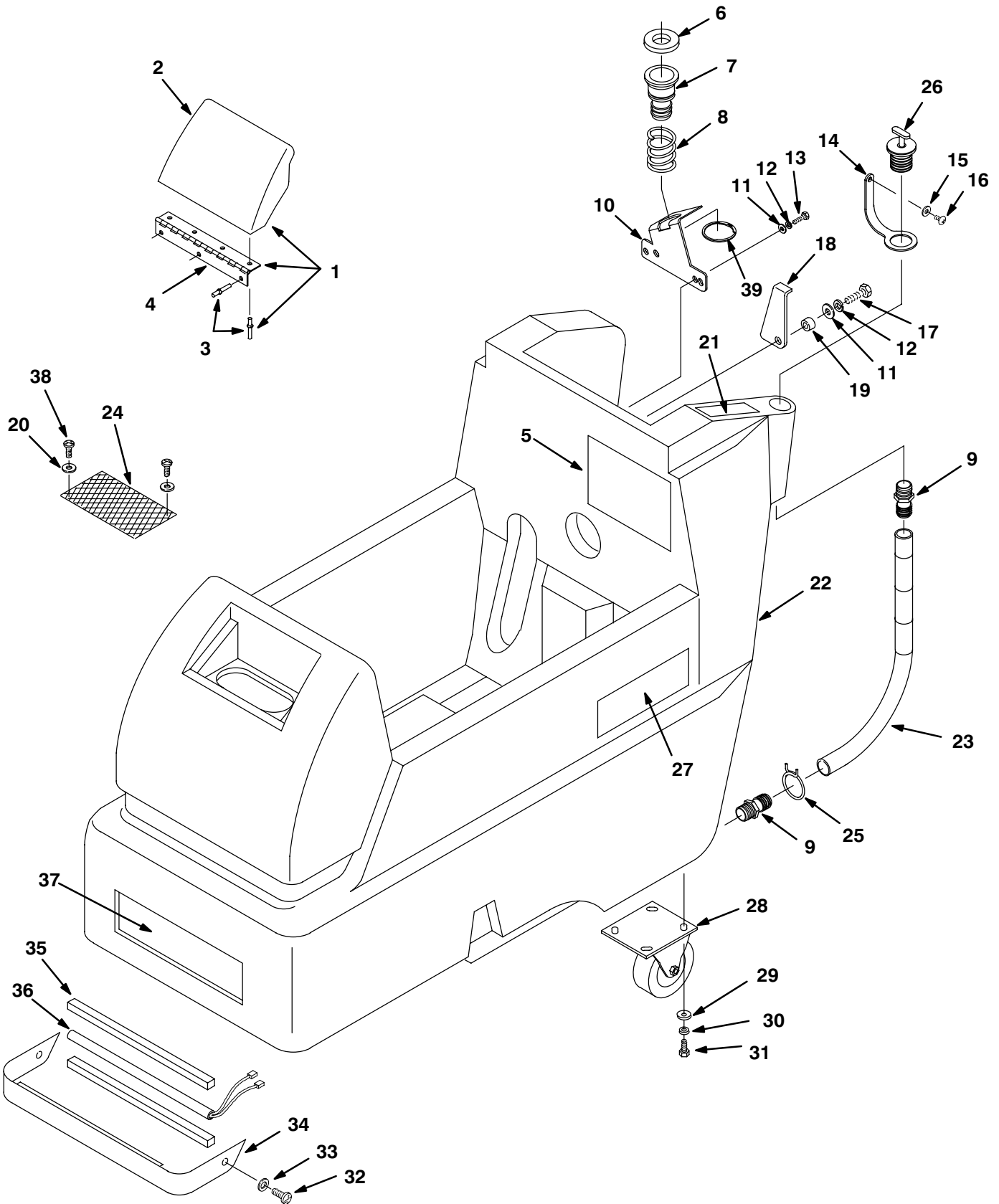
| REF | PART # | DESCRIPTION | QTY. |
|-----|--------|---------------------------------------|------|
| ▽ 4 | 240262 | ●ASM., PAD DRIVER 2/PK 305MM (12") | 2 |
| | 602928 | ●ASM., PAD DRIVER 2/PK 330MM (13") | 2 |
| ▲ 5 | 240238 | ●LUGS, W/SCREWS (SET OF 3) | 6 |
| ▲ 6 | 100106 | ●PLATE, PAD DRIVER BASE | 2 |
| ▲ 7 | 100107 | ●RING, PAD RETAINER SNAP-IN | 2 |

▽ ASSEMBLY / CONJUNTO

▲ INCLUDED IN ASSEMBLY / INCLUIDO EN EL CONJUNTO

● RECOMMENDED STOCK ITEMS / ARTICULOS RECOMENDADOS PARA
MANTENER EN EXISTENCIA

SOLUTION TANK GROUP
GRUPE DEL DEPÓSITO DE DISOLUCIÓN



SOLUTION TANK GROUP
GRUPE DEL DEPÓSITO DE DISOLUCIÓN

| REF | PART # | DESCRIPTION | QTY. |
|-----|-----------|-----------------------------|------|
| ▽ 1 | 608518 | ASM., SOL. TANK COVER GREEN | 1 |
| ▲ 2 | 608284 | COVER, TANK GREEN | 1 |
| ▲ 3 | 140706 | RIVET, POP | 7 |
| ▲ 4 | 611068 | HINGE, COVER | 1 |
| 5 | 603233 | DECAL, BATTERY RECHARGE | 1 |
| 6 | 630010 | ●GASKET, TUBE ADAPTER | 1 |
| 7 | 630011 | TUBE, VAC | 1 |
| 8 | 630267 | SPRING, TUBE ADAPTER | 1 |
| 9 | 150529 | HOSE BARB | 2 |
| 10 | 608706 | BRACKET, VAC TUBE | 1 |
| 11 | 140027 | WASHER, FLAT | 3 |
| 12 | 140015 | WASHER, LOCK | 3 |
| 13 | 200031488 | SCREW, M8X1.25X20MM | 2 |
| 14 | 600476 | ●STRAP, PLUG REAR FILL | 1 |
| 15 | 140011 | WASHER, FLAT | 1 |
| 16 | 140350 | SCREW, #10X1/2 | 1 |
| 17 | 200031488 | SCREW, M8X1.25X20MM | 1 |
| 18 | 230925 | SUPPORT, RECOVERY TANK | 1 |
| 19 | 611418 | BUSHING | 1 |
| 20 | 140032 | WASHER, FLAT | 2 |

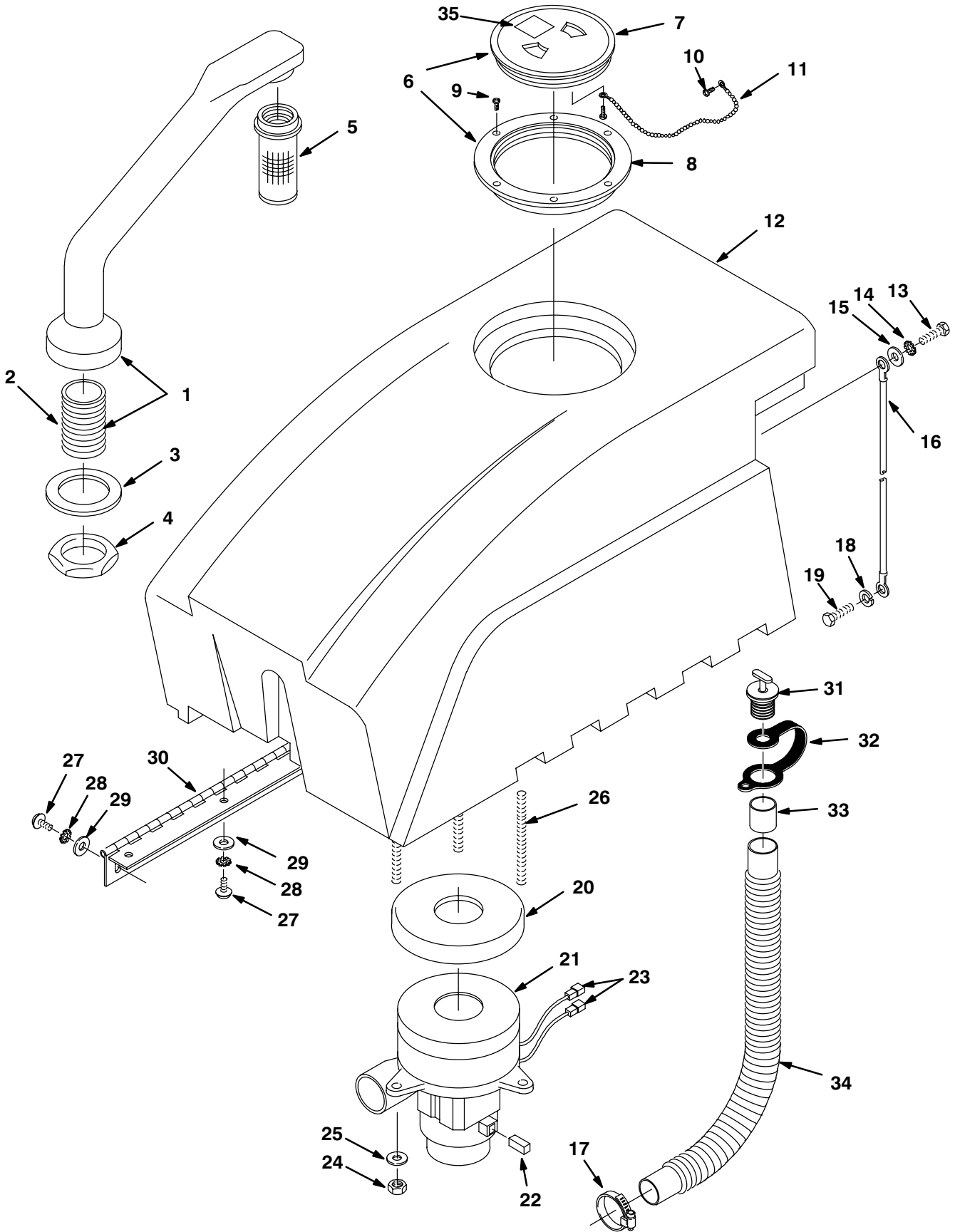
| REF | PART # | DESCRIPTION | QTY. |
|-----|-----------|-------------------------------|------|
| 21 | 600650 | DECAL, SQUEEGEE LEVER CE | 1 |
| 22 | 608295 | TANK, SOLUTION GREEN | 1 |
| 23 | 607983 | ASM., DRAIN HOSE W/LEVEL IND. | 1 |
| 24 | 602529 | ●SCREEN, FILL | 1 |
| 25 | 608915 | CLAMP, HOSE 2-WIRE | 1 |
| 26 | 621324 | ●PLUG, EXPANSION | 1 |
| 27 | 608450 | DECAL, "SPEED SCRUB 2401" | 2 |
| | 608449 | DECAL, "SPEED SCRUB 2601" | 2 |
| 28 | 612056 | ●CASTER, 4" | 2 |
| 29 | 140036 | WASHER, 3/8 FLAT | 8 |
| 30 | 140333 | WASHER, M10 SPLITLOCK | 8 |
| 31 | 140277 | SCREW, M10X1.5X20MM | 8 |
| 32 | 578141000 | SCREW, M5X10MM | 2 |
| 33 | 140018 | WASHER, #10 INT | 2 |
| 34 | 600298 | SHIELD, LIGHT | 1 |
| 35 | 605324 | GASKET, 1/2"X2.34' | 1 |
| 36 | 130023 | LIGHT, SAFETY | 1 |
| 37 | 608184 | DECAL, NOBLES LOGO | 1 |
| 38 | 3701.6 | SCREW, #6X3/4 | 2 |
| 39 | 621236000 | RING, RETAINING | 1 |

▽ ASSEMBLY / CONJUNTO

▲ INCLUDED IN ASSEMBLY / INCLUIDO EN EL CONJUNTO

● RECOMMENDED STOCK ITEMS / ARTICULOS RECOMENDADOS PARA
MANTENER EN EXISTENCIA

RECOVERY TANK GROUP
CONJUNTO DEPOSITO RECUPERAR



RECOVERY TANK GROUP
CONJUNTO DEPOSITO RECUPERAR

| REF | PART # | DESCRIPTION | QTY. |
|-----|-----------|-----------------------------|------|
| ∇ 1 | 701103 | ASM., STANDPIPE | 1 |
| ▲ 2 | 606088 | FITTING, NIPPLE | 1 |
| 3 | 101714 | ●GASKET | 1 |
| 4 | 210240 | NUT, FLANGED | 1 |
| 5 | 180613 | ●FLOAT, SHUT-OFF | 1 |
| ∇ 6 | 100102 | ●ASM., LID CLEAR W/STD HOLE | 1 |
| ▲ 7 | 100105 | ●LID, CENTER CLEAR ONLY | 1 |
| ▲ 8 | 100109 | ●LID, OUTER RING ONLY | 1 |
| 9 | 140826 | SCREW, #6X3/4 | 6 |
| 10 | 3701.6 | SCREW, #6X3/8 | 2 |
| 11 | 230513 | CHAIN | 1 |
| 12 | 608297 | TANK, RECOVERY GREEN | 1 |
| 13 | 578187000 | SCREW, M06X1.0X12MM | 1 |
| 14 | 140052 | WASHER, 1/4 EXT | 1 |
| 15 | 140000 | WASHER, FLAT | 1 |
| 16 | 140960 | ●CABLE | 1 |
| 17 | 140308 | CLAMP | 1 |

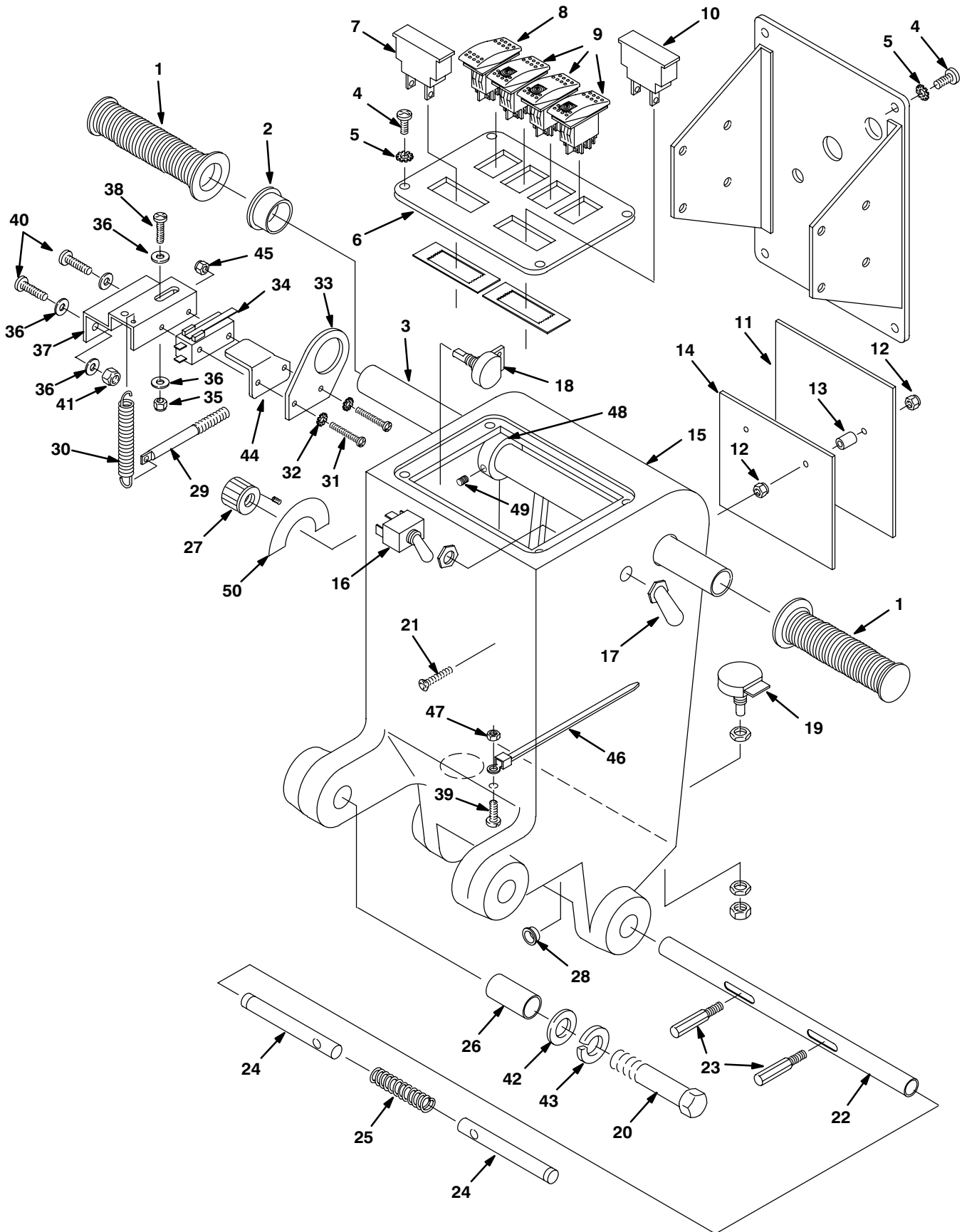
| REF | PART # | DESCRIPTION | QTY. |
|------|-----------|------------------------------|------|
| 18 | 140015 | WASHER, LOCK | 1 |
| 19 | 200031488 | SCREW, M8X1.25X20MM | 1 |
| 20 | 0174..10 | ●SEAT, NEOPRENE MOTOR | 1 |
| ∇ 21 | 130477 | ●MOTOR, VAC 5.7/3 STG 24 VDC | 1 |
| ▲ 22 | 190163 | ●CARBON BRSH W/HOLDER 2/PK | 2 |
| 23 | 130096 | TERMINAL, MALE DISCONNECT | 2 |
| 24 | 140284 | NUT | 3 |
| 25 | 140000 | WASHER, FLAT | 3 |
| 26 | 140353 | STUD | 3 |
| 27 | 578187000 | SCREW, M06X1.0X12MM | 11 |
| 28 | 140052 | WASHER, 1/4 EXT | 11 |
| 29 | 140000 | WASHER, 1/4 FLAT | 11 |
| 30 | 600311 | ●HINGE, RECOVERY TANK | 1 |
| 31 | 621324 | ●PLUG, EXPANSION | 2 |
| 32 | 578441 | ●STRAP, DRAINHOSE | 1 |
| 33 | 630394 | ●SLEEVE, DRAINHOSE | 1 |
| 34 | 630068 | ●HOSE, DRAIN | 1 |
| 35 | 606105 | DO NOT SPRAY | 1 |

∇ ASSEMBLY / CONJUNTO

▲ INCLUDED IN ASSEMBLY / INCLUIDO EN EL CONJUNTO

● RECOMMENDED STOCK ITEMS / ARTICULOS RECOMENDADOS PARA
MANTENER EN EXISTENCIA

CONSOLE GROUP
CONJUNTO CONSOLA DE CONTROLES



CONSOLE GROUP
CONJUNTO CONSOLA DE CONTROLES

| REF | PART # | DESCRIPTION | QTY. |
|-----|-----------|------------------------------|------|
| 1 | 200823 | ●GRIP, HANDLE TUBE | 2 |
| 2 | 605351 | BUSHING | 1 |
| 3 | 604402 | HANDLE, TUBE | 1 |
| 4 | 578141000 | SCREW, M5X10MM | 8 |
| 5 | 140018 | WASHER, LOCK | 8 |
| ▽ | 606093 | ASM., SWITCH PANEL | 1 |
| ▲ | 602560 | PANEL, SWITCH | 1 |
| ▲ | 606857 | ●GAUGE, BRUSH PRESSURE | 1 |
| ▲ | 603399 | ●SWITCH, MOM. ON/OFF/MOM. ON | 1 |
| ▲ | 601107 | ●SWITCH, LIGHTED ROCKER | 3 |
| ▲ | 606020 | ●METER, BATTERY VOLTAGE 24V | 1 |
| 11 | 630104 | ●SPEED CONTROL, PMB 55 AMP | 1 |
| 12 | 200160014 | NUT | 4 |
| 13 | 630261 | SPACER | 2 |
| 14 | 630128 | HEATSINK, ALLUM. | 1 |
| 15 | 608299 | HOUSING, CONTROL GREEN | 1 |
| 16 | 601108 | ●SWITCH, TOGGLE | 1 |
| 17 | 130753 | ●BOOT, SWITCH | 1 |
| 18 | 130776 | ●POTENTIOMETER, 50K | 1 |
| 19 | 130775 | ●POTENTIOMETER, 50K LOCKABLE | 1 |
| 20 | 140351 | SCREW, M12X1.75X70MM | 2 |
| 21 | 630304 | SCREW, M4X35MM | 2 |
| 22 | 230715 | TUBE, HANDLE ADJUSTMENT | 1 |
| 23 | 230649 | PIN, HANDLE ADJUSTMENT | 2 |
| 24 | 230710 | PIN, HANDLE LOCK | 2 |
| 25 | 140415 | SPRING, LOCK PIN | 1 |
| 26 | 140155 | BUSHING | 2 |

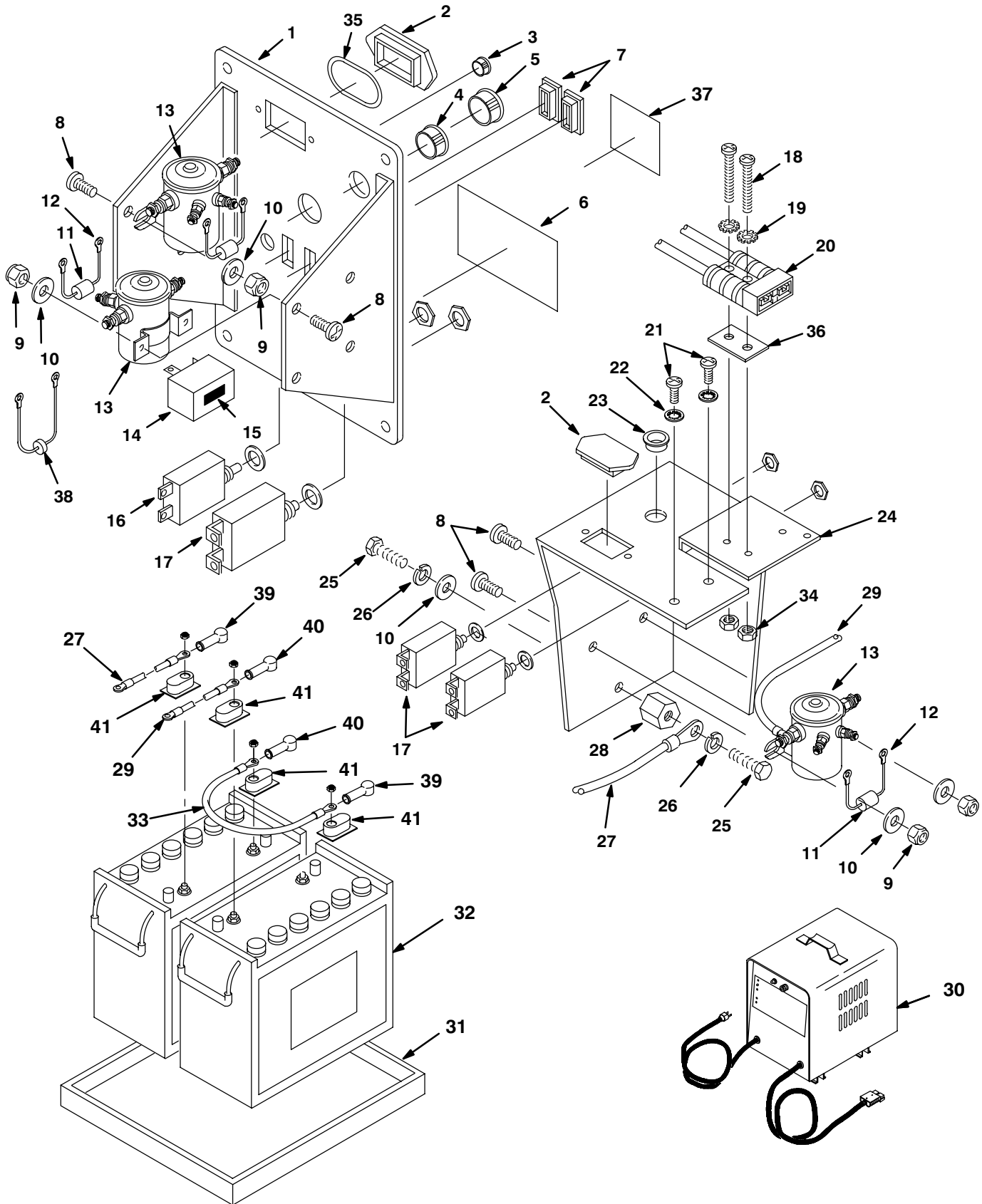
| REF | PART # | DESCRIPTION | QTY. |
|-----|--------|-------------------------------|------|
| 27 | 606550 | ●KNOB, SPEED CONTROL | 1 |
| 28 | 603007 | BUSHING, SNAP | 1 |
| 29 | 602886 | PIN, SPRING RETURN | 1 |
| 30 | 605812 | SPRING, EXTENSION | 1 |
| 31 | 140829 | SCREW, 6-32X1 | 2 |
| 32 | 140019 | WASHER, LOCK | 2 |
| 33 | 27098 | BRACKET, SWITCH | 1 |
| 34 | 130729 | ●SWITCH, ROLL | 1 |
| 35 | 140552 | NUT | 1 |
| 36 | 140000 | WASHER, FLAT | 6 |
| 37 | 25671 | MOUNT, SWITCH | 1 |
| 38 | 140890 | SCREW, 10-24X1/2 | 1 |
| 39 | 140900 | SCREW, 10-24X3/4 TRSPHL | 1 |
| 40 | 608322 | SCREW, M6X1.0X16 | 2 |
| 41 | 140284 | NUT, M6X1.0 NYLOCK | 2 |
| 42 | 140045 | WASHER, FLAT | 2 |
| 43 | 140024 | WASHER, LOCK | 2 |
| 44 | 603830 | PLATE, GUARD SWITCH | 1 |
| 45 | 140540 | NUT, 6-32 HEX | 2 |
| 46 | 630343 | CLAMP, CABLE | 1 |
| 47 | 140552 | NUT, 10-24 NYLOCK | 1 |
| 48 | 605094 | COLLAR, HANDLE | 2 |
| 49 | 140859 | SCREW, 1/4 SK CUP | 2 |
| 50 | 606549 | DECAL, SPEED CONTROL | 1 |
| N/S | 602873 | HARNESS CONSOLE W/POT. | 1 |
| | 606093 | HARNESS, MAIN/SWITCH/ CONSOLE | 1 |

▽ ASSEMBLY / CONJUNTO

▲ INCLUDED IN ASSEMBLY / INCLUIDO EN EL CONJUNTO

● RECOMMENDED STOCK ITEMS / ARTICULOS RECOMENDADOS PARA MANTENER EN EXISTENCIA

ELECTRICAL / BATTERY GROUP
GRUPO DEL ELÉCTRICO/BATERÍA



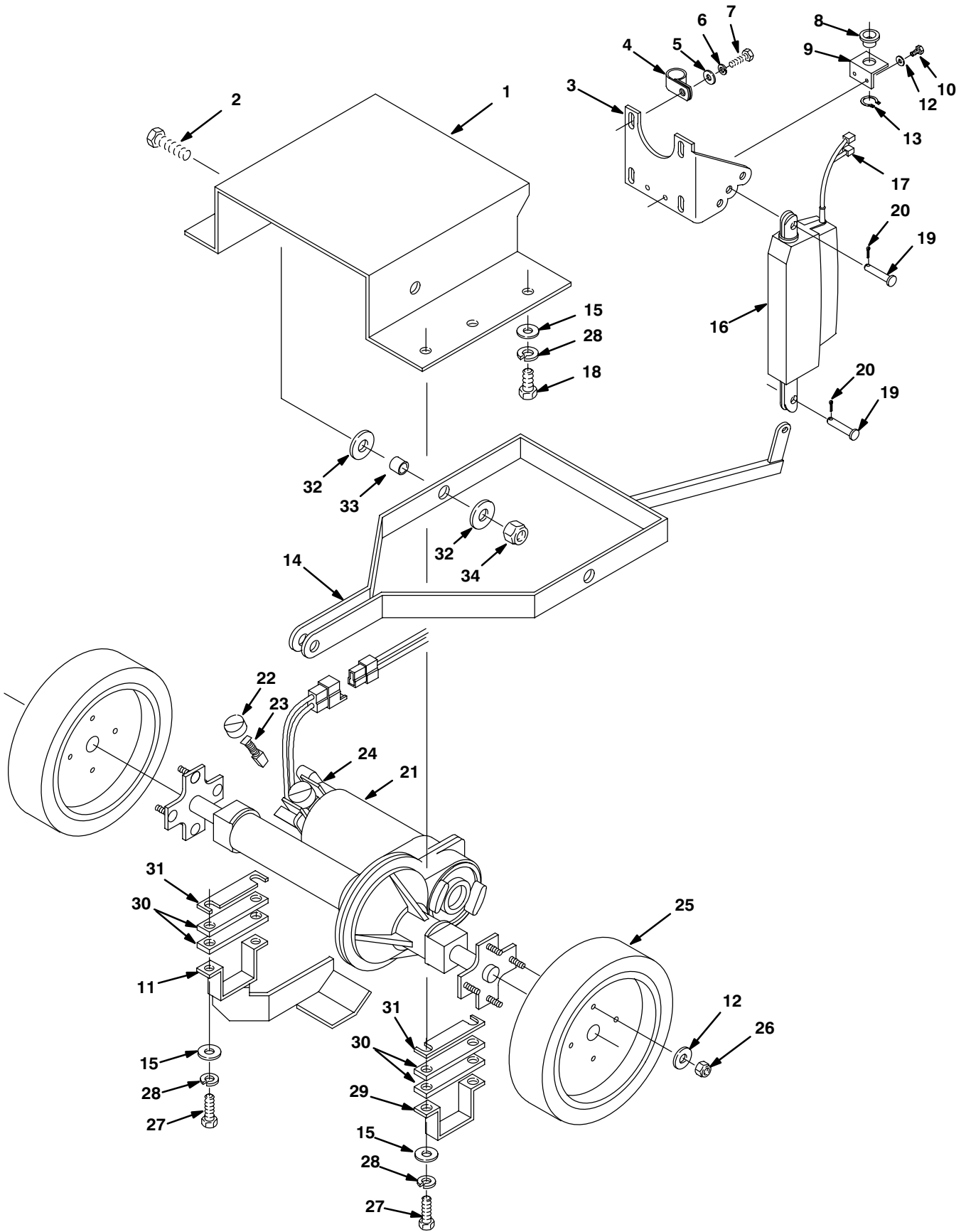
ELECTRICAL / BATTERY GROUP
GRUPO DEL ELÉCTRICO/BATERÍA

| REF | PART # | DESCRIPTION | QTY. |
|-----|-----------|------------------------------|------|
| 1 | 602559 | PANEL, CONTROL HOUSING | 1 |
| 2 | 609969 | ●PLUG, HOUR METER | 2 |
| 3 | 069764626 | ●PLUG, HOLE 012.7 | 1 |
| 4 | 130161 | ●PLUG, DOME .850 | 1 |
| 5 | 130175 | ●PLUG, DOME .750 | 1 |
| 6 | 120649 | DECAL, WARNING BATTERY | 1 |
| 7 | 582150 | ●PLUG, ACCESSORY SWITCH | 2 |
| 8 | 608322 | SCREW, M6X1.0X16 | 6 |
| 9 | 140284 | NUT, M6X1.0 NYLOCK | 6 |
| 10 | 140000 | WASHER, FLAT | 7 |
| 11 | 606404 | ●ASM., DIODE W/RING TERM. | 3 |
| 12 | 281001009 | RING, TERMINAL #10 | 6 |
| 13 | 605905 | ●SOLENOID, 24V | 3 |
| 14 | 130021 | ●FLASHER, 24VDC | 1 |
| 15 | 606243 | TAPE, ACRYLIC 1"X.25' | 1 |
| 16 | 130737 | ●BREAKER, CIRCUIT BRSH 10AMP | 1 |
| 17 | 602951 | ●BREAKER, CIRCUIT 35 AMP | 3 |
| 18 | 140829 | SCREW, 6-32X1 | 2 |
| 19 | 140019 | WASHER, #6 EXT | 2 |
| 20 | 605387 | ●CONNECTOR, 50A W/O CNTCTS | 1 |
| 21 | 578141000 | SCREW, M5X10 | 2 |

| REF | PART # | DESCRIPTION | QTY. |
|-----|--------|------------------------------|------|
| 22 | 140018 | WASHER, #10 INT | 2 |
| 23 | 130698 | BUSHING, SNAP | 1 |
| 24 | 602887 | BRACKET | 1 |
| 25 | 140553 | SCREW, 1/4-20X1/2 | 2 |
| 26 | 140016 | WASHER, LOCK | 1 |
| 27 | 602871 | CABLE, BATTERY #6 BLACKX20" | 1 |
| 28 | 578427 | ●STANDOFF | 1 |
| 29 | 602872 | CABLE, BATTERY #6 REDX28" | 1 |
| 30 | 603235 | CHARGER, 24DC 20 AMP | 1 |
| 31 | 601991 | TRAY, BATTERY | 1 |
| 32 | 600394 | BATTERY, 12V 215A | 2 |
| 33 | 130364 | ●CABLE, BATTERY #6 BLACKX15" | 1 |
| 34 | 140539 | NUT, 6-32 KEP | 2 |
| 35 | 605823 | ●O-RING .929 ID X .996 OD | 1 |
| 36 | 603331 | SPACER, CHARGER PLUG | 1 |
| 37 | 578729 | DECAL, READ MANUAL | 1 |
| 38 | 604486 | ASM., DIODE SPLICED | 1 |
| 39 | 611221 | BOOT, BATTERY CABLE BLK | 2 |
| 40 | 611222 | BOOT, BATTERY CABLE RED | 2 |
| 41 | 45962 | COVER, BATTERY TERMINAL | 4 |

- RECOMMENDED STOCK ITEMS / ARTICULOS RECOMENDADOS PARA MANTENER EN EXISTENCIA

DRIVE GROUP
GRUPO DE TRANSMISIÓN



DRIVE GROUP
GRUPO DE TRANMISIÓN

| REF | PART # | DESCRIPTION | QTY. |
|-----|-----------|--------------------------|------|
| 1 | 600288 | PLATE, BASE TRANSAXLE | 1 |
| 2 | 140236 | SCREW, 1/2-13X1 1/4 | 2 |
| 3 | 600292 | BRACKET, ACTUATOR | 1 |
| 4 | 140314 | CLAMP, INSULATED 3/4 ID | 1 |
| 5 | 140027 | WASHER, FLAT | 4 |
| 6 | 140015 | WASHER, LOCK | 4 |
| 7 | 200031488 | SCREW, M8X1.25X20 | 4 |
| 8 | 621235 | BUSHING, CABLE | 1 |
| 9 | 630157 | BRACKET, CABLE GUIDE | 1 |
| 10 | 200031432 | SCREW, M6X1/0X10 | 2 |
| 11 | 612923 | MOUNT, TRANSAXLE GUARD | 1 |
| 12 | 140000 | WASHER, FLAT | 10 |
| 13 | 621236000 | RING, RETAINING | 1 |
| 14 | 600290 | BRACKET, LIFT DUAL MOTOR | 1 |
| 15 | 140028 | WASHER, FLAT | 6 |
| 16 | 600952 | ●ACUTATOR | 1 |
| 17 | 281004001 | TERMINAL, QC | 2 |
| 18 | 140277 | SCREW, M10X1.5X20MM | 2 |
| 19 | 604076 | PIN, CLEVIS | 2 |

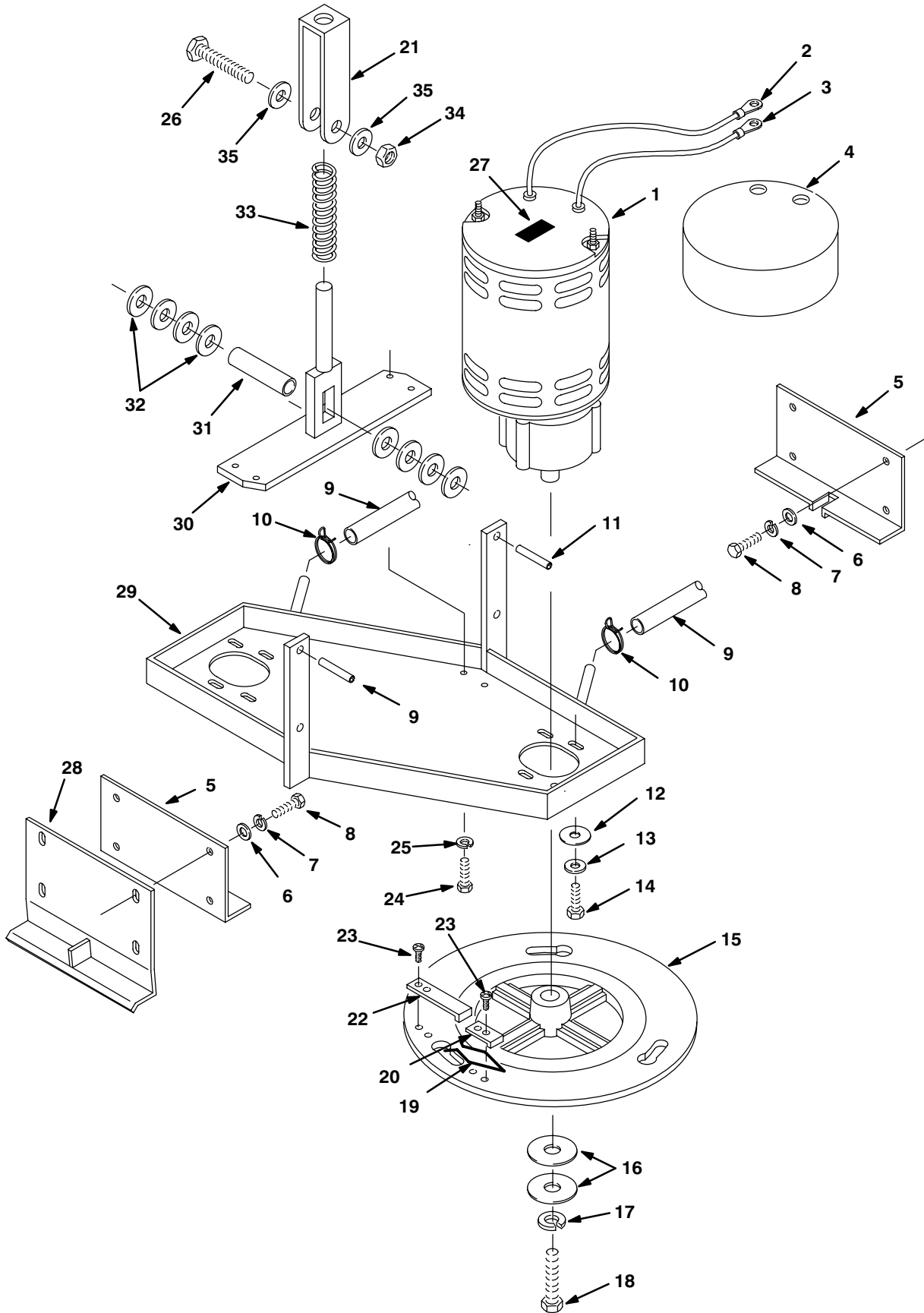
| REF | PART # | DESCRIPTION | QTY. |
|------|-----------|----------------------------|------|
| 20 | 578421 | PIN, COTTER | 2 |
| ▽ 21 | 630126 | ●TRANSAXLE, W/MOTOR 24VDC | 1 |
| ▲ 22 | 630503 | ●CAP | 2 |
| ▲ 23 | 630504 | ●CARBON BRUSH | 2 |
| ▲ 24 | 600606 | ●END BELL, TRANSAXLE MOTOR | 1 |
| 25 | 640013 | ●WHEEL, NEOPRENE, SOLID | 2 |
| | 630215 | ●WHEEL, PNEUMATIC, AIR | 2 |
| | 600352 | ●WHEEL, FOAM FILLED | 2 |
| | 604357 | ●KIT, PNEUMATIC WHEEL, AIR | 1 |
| | 604259 | ●KIT, WHEEL FOAM FILLED | 1 |
| 26 | 630268 | NUT | 8 |
| 27 | 612255000 | SCREW, M10X35MM | 4 |
| 28 | 140333 | WASHER, LOCK | 6 |
| 29 | 612784 | BRACKET, TRANSAXLE MOUNT | 1 |
| 30 | 600304 | SPACER, AXLE | 4 |
| 31 | 602883 | SPACER | 2 |
| 32 | 140045 | WASHER, FLAT | 4 |
| 33 | 602882 | BUSHING | 2 |
| 34 | 140516 | NUT | 2 |

▽ ASSEMBLY / CONJUNTO

▲ INCLUDED IN ASSEMBLY / INCLUIDO EN EL CONJUNTO

● RECOMMENDED STOCK ITEMS / ARTICULOS RECOMENDADOS PARA
MANTENER EN EXISTENCIA

BRUSH DRIVE GROUP
CONJUNTO IMPULSO DE CEPILLO



BRUSH DRIVE GROUP
CONJUNTO IMPULSO DE CEPILLO

| REF | PART # | DESCRIPTION | QTY. |
|-----|-----------|------------------------------|------|
| ∇ 1 | 130491 | ●MOTOR & GEAR BOX, BRUSH | 2 |
| ▲ | 630609 | ●ASM., GEAR BOX | 1 |
| ▲ | 190741 | ●ASM., BRUSH CARD | 1 |
| ▲ | 190970 | ●BRUSH, CARBON | 4 |
| ▲ | 140632 | ●KEY, 1/4X1 | 1 |
| ✘ 2 | 281001014 | TERMINAL RING (NEG) LT MOTOR | 1 |
| | 281001014 | TERMINAL RING (NEG) RT MOTOR | 1 |
| ▲ 3 | 130109 | TERMINAL MALE (POS) LT MOTOR | 1 |
| | 130192 | TERMINAL MALE (POS) RT MOTOR | 1 |
| 4 | 100764 | COVER, BRUSH MOTOR | 2 |
| 5 | 600300 | PLATE, GUIDE | 2 |
| 6 | 140003 | WASHER, FENDER | 8 |
| 7 | 140016 | WASHER, LOCK | 8 |
| 8 | 140272 | SCREW, M6X1.0X16MM | 8 |
| 9 | 609470 | HOSE, 3/8IDX5/8ODX9" | 2 |
| 10 | 607775 | CLAMP, HOSE 2 WIRE BLK | 2 |
| 11 | 140618 | PIN, ROLL | 4 |
| 12 | 140028 | WASHER, FLAT | 8 |
| 13 | 140017 | WASHER, LOCK | 8 |
| 14 | 140202 | SCREW, 3/8-16X1 | 8 |
| 15 | 606335 | PLATE, DRIVER NYLON | 2 |

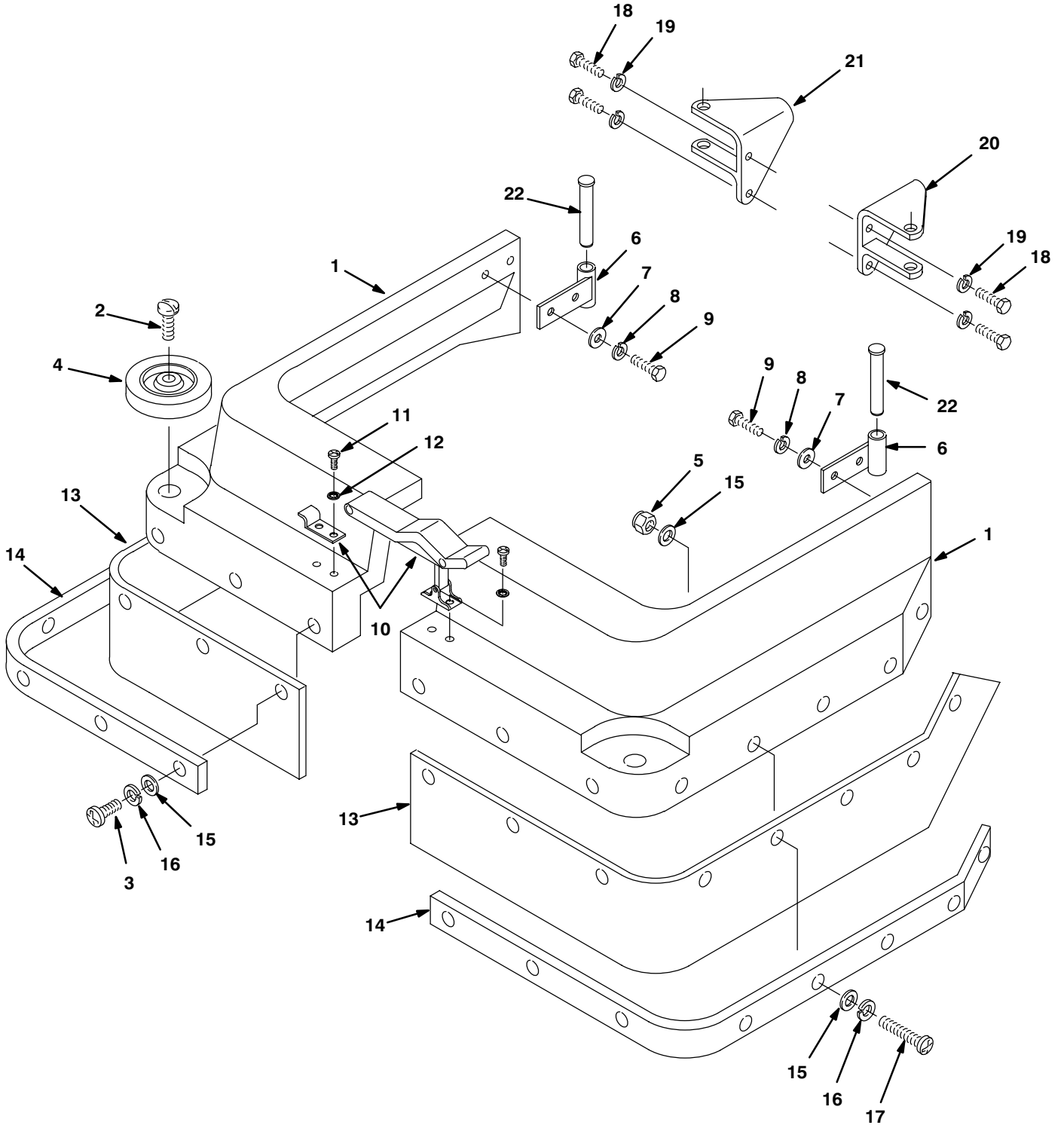
| REF | PART # | DESCRIPTION | QTY. |
|-----|-----------|---------------------------|------|
| 16 | 25732 | WASHER, FLAT | 4 |
| 17 | 140015 | WASHER, LOCK | 2 |
| 18 | 140219 | SCREW, 5/16-18X1 | 2 |
| 19 | 140417 | ●CLIP, SPRING | 2 |
| 20 | 230651 | ●CLAMP, BRUSH PLATE | 2 |
| 21 | 602556 | BRACKET, SPRING | 1 |
| 22 | 230697 | ●STOP, DRIVER RELEASE | 2 |
| 23 | 606915 | SCREW, HIGH LOW 10-16X3/8 | 8 |
| 24 | 200031488 | SCREW, M08X1.25X20MM | 4 |
| 25 | 140015 | WASHER, LOCK | 4 |
| 26 | 140225 | SCREW, 3/8-16X2 | 1 |
| 27 | 606243 | TAPE, ACRYLIC 1"X.25' | 2 |
| 28 | 600299 | SKIRT, FRONT LIP | 1 |
| 29 | 600289 | BRACKET, MOTOR MOUNT | 1 |
| 30 | 602558 | BRACKET, SPRING MOUNT | 1 |
| 31 | 602930 | BUSHING | 1 |
| 32 | 578298000 | WASHER, FLAT | 8 |
| 33 | 602555 | SPRING | 1 |
| 34 | 600200 | NUT | 1 |
| 35 | 140028 | WASHER, FLAT | 2 |

∇ ASSEMBLY / CONJUNTO

▲ INCLUDED IN ASSEMBLY / INCLUIDO EN EL CONJUNTO

● RECOMMENDED STOCK ITEMS / ARTICULOS RECOMENDADOS PARA
MANTENER EN EXISTENCIA

BRUSH SKIRT GROUP
CONJUNTO JUEGO DE CEPILLO



BRUSH SKIRT GROUP
CONJUNTO JUEGO DE CEPILLO

| REF | PART # | DESCRIPTION | QTY. |
|-----|-----------|--------------------------------------|------|
| ▽ | 609773 | ASM., SKIRT OPERATOR LH GREEN (2401) | 1 |
| | 609771 | ASM., SKIRT OPERATOR LH GREEN (2601) | 1 |
| | 609772 | ASM., SKIRT OPERATOR RH GREEN (2401) | 1 |
| | 609770 | ASM., SKIRT OPERATOR RH GREEN (2601) | 1 |
| ▲ 1 | 608709 | SKIRT, OPERATOR LH GREEN (2401) | 1 |
| | 608301 | SKIRT, OPERATOR LH GREEN (2601) | 1 |
| | 608711 | SKIRT, OPERATOR RH GREEN (2401) | 1 |
| | 608303 | SKIRT, OPERATOR RH GREEN (2601) | 1 |
| ▲ 2 | 603154 | ●SCREW, M08X1.25X40MM | 2 |
| ▲ 3 | 578144000 | SCREW, M5X16MM | 10 |
| ▲ 4 | 630450 | ●WHEEL, RUBBER | 2 |
| ▲ 5 | 140283 | NUT | 6 |
| ▲ 6 | 600301 | BRACKET, SKIRT MOUNT | 2 |

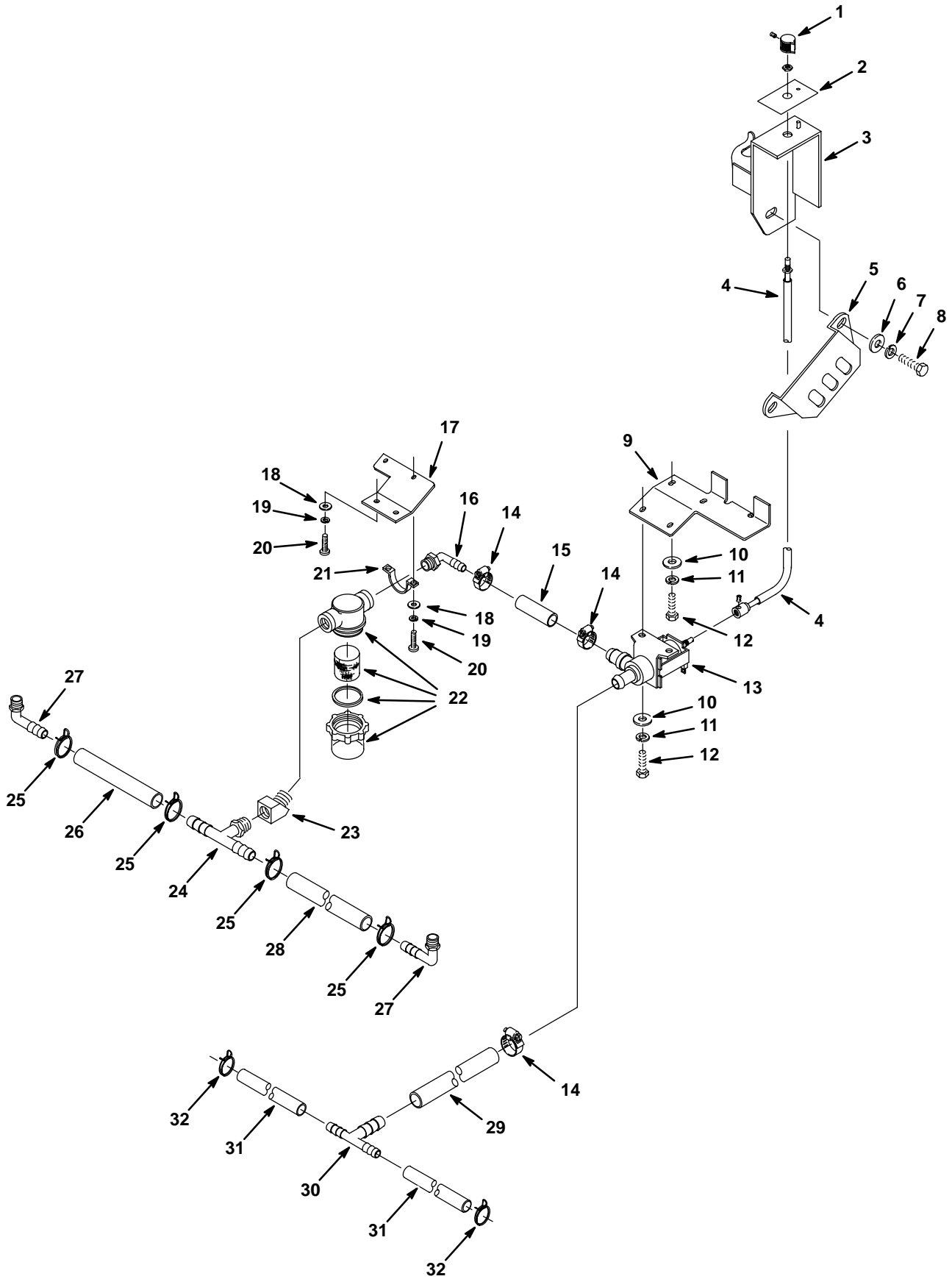
| REF | PART # | DESCRIPTION | QTY. |
|------|-----------|----------------------------|------|
| ▲ 7 | 140027 | WASHER, 5/16 FLAT | 4 |
| ▲ 8 | 140015 | WASHER, 5/16 SPLITLOCK | 4 |
| ▲ 9 | 578237000 | SCREW, M8X18 | 4 |
| ▲ 10 | 140932 | ●LATCH, HOOD | 1 |
| ▲ 11 | 200070340 | SCREW, M4X.7X8MM | 4 |
| ▲ 12 | 140023 | WASHER, #8 INT | 4 |
| ▲ 13 | 600295 | ●GUARD, SPLASH (2401) | 2 |
| | 600294 | ●GUARD, SPLASH (2601) | 2 |
| ▲ 14 | 600297 | STRAP, SPLASH GUARD (2401) | 2 |
| | 600296 | STRAP, SPLASH GUARD (2601) | 2 |
| ▲ 15 | 140011 | WASHER, FLAT | 22 |
| ▲ 16 | 140018 | WASHER, LOCK | 16 |
| ▲ 17 | 140293 | SCREW, M5X0.8X30MM | 6 |
| 18 | 575029000 | SCREW, M8X1.25X20 | 4 |
| 19 | 140015 | WASHER, 5/16 SPLITLOCK | 4 |
| 20 | 607951 | BRACKET, SKIRT MOUNT LH | 1 |
| 21 | 607952 | BRACKET, SKIRT MOUNT RH | 1 |
| 22 | 230943 | ●PIN, SKIRT | 2 |

▽ ASSEMBLY / CONJUNTO

▲ INCLUDED IN ASSEMBLY / INCLUIDO EN EL CONJUNTO

● RECOMMENDED STOCK ITEMS / ARTICULOS RECOMENDADOS PARA MANTENER EN EXISTENCIA

SOLUTION CONTROL GROUP
CONJUNTO DE PALANCAS SOLUCIÓN



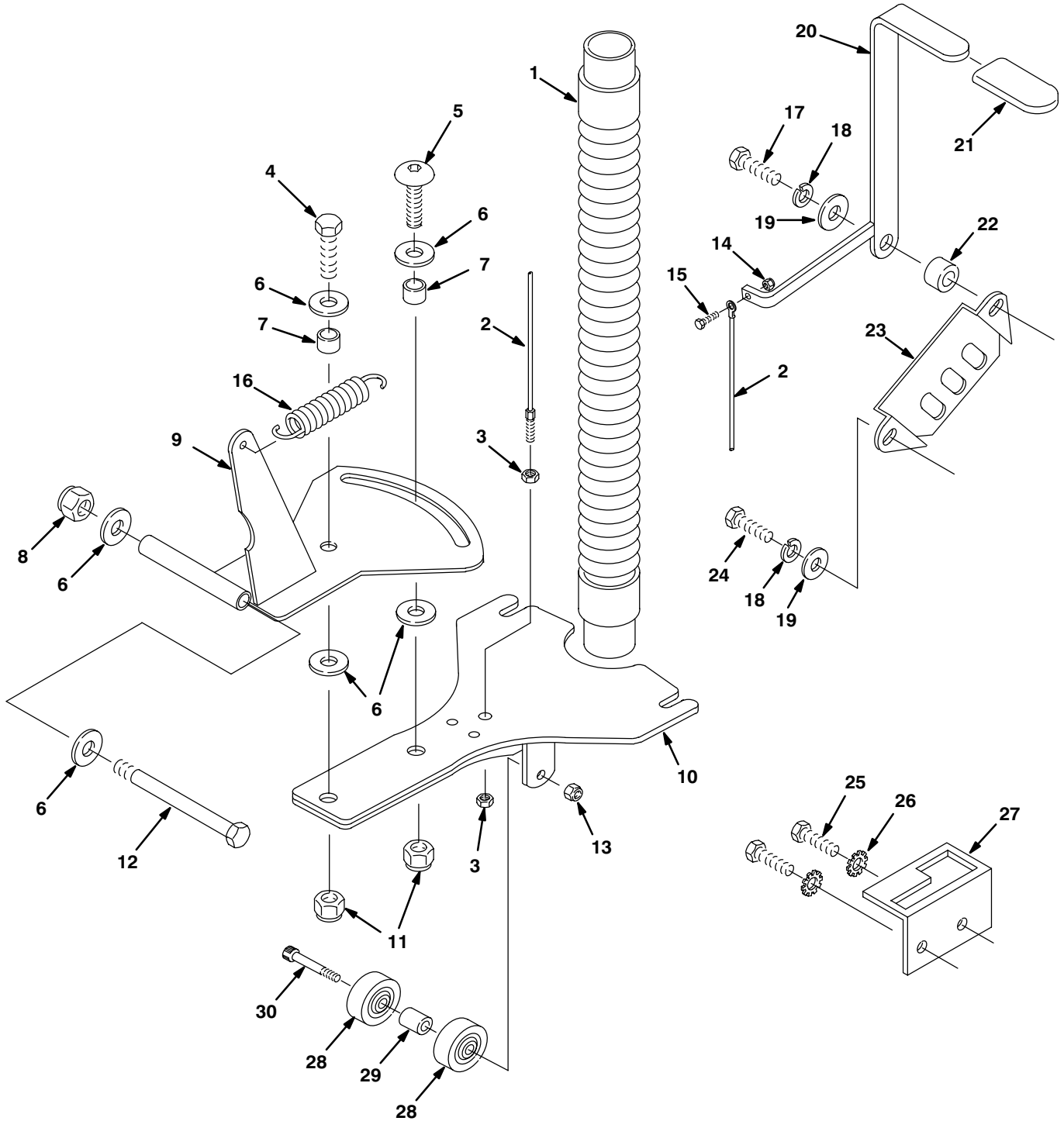
SOLUTION CONTROL GROUP
CONJUNTO DE PALANCAS SOLUCIÓN

| REF | PART # | DESCRIPTION | QTY. |
|-----|-----------|-----------------------------|------|
| 1 | 626121 | KNOB, WATER VALVE | 1 |
| 2 | 612039 | DECAL, SOLUTION CONTROL | 1 |
| 3 | 611821 | BRACKET, SOLUTION CONTROL | 1 |
| 4 | 612497 | CABLE, SOL. FLOW CONTROL | 1 |
| 5 | 230661 | PLATE, LOCK CONTROL HSG. | 1 |
| 6 | 140027 | WASHER, 5/16 FLAT | 2 |
| 7 | 140015 | WASHER, 5/16 SPLIT LOCK | 2 |
| 8 | 200031488 | SCREW, M8X1.25X20 | 2 |
| 9 | 611822 | BRACKET, SOLELNOID MOUNT | 1 |
| 10 | 140000 | WASHER, 1/4 FLAT | 4 |
| 11 | 140016 | WASHER, 1/4 LOCK | 4 |
| 12 | 140272 | SCREW, M6X1.0X16 | 4 |
| 13 | 612498 | ●VALVE, LIQUID DISPENSING | 1 |
| 14 | 140310 | CLAMP, HOSE | 3 |
| 15 | 069760725 | HOSE, 1/2IDX3.25" | 1 |
| 16 | 578039000 | FITTING, 3/8MX1/2H ELBOW 90 | 1 |

| REF | PART # | DESCRIPTION | QTY. |
|-----|-----------|-----------------------------|------|
| 17 | 611820 | BRACKET, FILTER BOWL | 1 |
| 18 | 575541000 | WASHER, M5X1 FLAT | 4 |
| 19 | 200655016 | WASHER, M5 LOCK | 4 |
| 20 | 609062 | SCREW, M5X.8X12 | 4 |
| 21 | 605056 | BRACKET, FILTER MOUNT | 1 |
| 22 | 601475 | ●ASM., FILTER BOWL & SCREEN | 1 |
| 23 | 01997 | FITTING, BRASS ELBOW 45 | 1 |
| 24 | 605046 | FITTING, 3/8MX1/2HX1/2H TEE | 1 |
| 25 | 607776 | CLAMP, HOSE 2 WIRE BLK | 4 |
| 26 | 606241 | HOSE, 1/2IDX6" | 1 |
| 27 | 578039000 | FITTING, 3/8MX1/2H ELBOW 90 | 2 |
| 28 | 626204 | HOSE, 320MM | 1 |
| 29 | 578822000 | HOSE, 425MM | 1 |
| 30 | 612149000 | FITTING, 3/8HX3/8HX1/2H TEE | 1 |
| 31 | 609470 | HOSE, 3/8IDX5/8ODX9" | 2 |
| 32 | 607775 | CLAMP, HOSE 2 WIRE BLK | 2 |

- RECOMMENDED STOCK ITEMS / ARTICULOS RECOMENDADOS PARA MANTENER EN EXISTENCIA

SQUEEGEE CONTROL GROUP
CONJUNTO DE PALETA PLANCAS



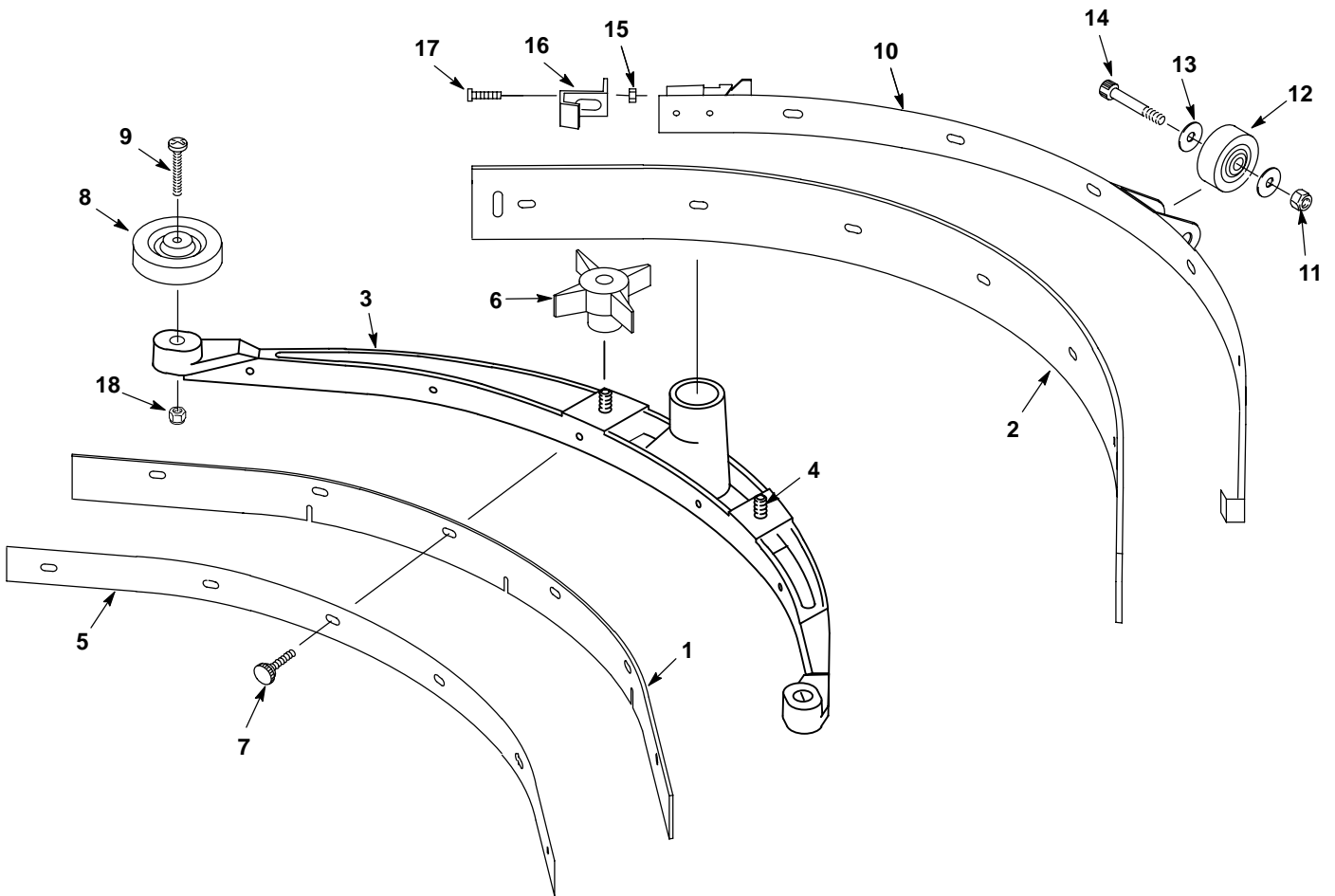
SQUEEGEE CONTROL GROUP
CONJUNTO DE PALETA PLANCAS

| REF | PART # | DESCRIPTION | QTY. |
|-----|-----------|----------------------------|------|
| 1 | 160613 | ●HOSE, VAC 1.5X30" W/CUFFS | 1 |
| 2 | 630156 | ●CABLE, SQUEEGEE LIFT | 1 |
| 3 | 140501 | NUT | 2 |
| 4 | 140236 | SCREW, 1/2-13X1-1/4" | 1 |
| 5 | 611480 | SCREW, 1/2-13X1.25 | 1 |
| 6 | 140045 | WASHER, FLAT | 6 |
| 7 | 140139 | BUSHING | 2 |
| 8 | 140516 | NUT, 1/2-13 NYLOCK | 1 |
| 9 | 611494 | PIVOT MOUNT, SQUEEGEE | 1 |
| 10 | 611479 | BRACKET, SQUEEGEE MOUNT | 1 |
| 11 | 140509 | NUT, 1/2-13 JAM | 2 |
| 12 | 602981 | SCREW, 1/2-13X5-1/2" | 1 |
| 13 | 601108000 | NUT, HEX LOCK | 1 |
| 14 | 140284 | NUT, M6X1.0 NYLOCK | 1 |
| 15 | 140272 | SCREW, M6X1.0X16MM | 1 |

| REF | PART # | DESCRIPTION | QTY. |
|-----|-----------|--------------------------|------|
| 16 | 611477 | SPRING | 1 |
| 17 | 200031496 | SCREW, M08X35 | 1 |
| 18 | 140015 | WASHER, LOCK | 2 |
| 19 | 140027 | WASHER, FLAT | 2 |
| 20 | 602885 | HANDLE, SQUEEGEE LIFT | 1 |
| 21 | 200816 | ●GRIP, HANDLE | 1 |
| 22 | 604358 | BUSHING SPACER | 1 |
| 23 | 230661 | PLATE, LOCK CONTROL HSG. | 1 |
| 24 | 200031488 | SCREW, M8X1.25X20MM | 1 |
| 25 | 140268 | SCREW, M5X.8X12MM | 2 |
| 26 | 140031 | WASHER, LOCK | 2 |
| 27 | 230712 | PLATE, SQUEEGEE LOCK | 1 |
| 28 | 630477 | WHEEL, 2" GRAY | 2 |
| 29 | 603368 | SPACER, NYLON | 1 |
| 30 | 603144 | SCREW, 3/8X3 SHOULDER | 1 |

- RECOMMENDED STOCK ITEMS / ARTICULOS RECOMENDADOS PARA MANTENER EN EXISTENCIA

SQUEEGEE ASSEMBLY GROUP – 838mm (33 in)
CONJUNTO PALETA



SQUEEGEE ASSEMBLY GROUP – 838mm (33 in)
CONJUNTO PALETA

| REF | PART # | DESCRIPTION | QTY. |
|-----|--------|--|------|
| ▽ | 612025 | ASSEMBLY, SQUEEGEE, LINATEX | 1 |
| ▲▽ | 606758 | ●KIT, SQUEEGEE BLADES, LINATEX | 1 |
| ▲ 1 | 605030 | ●BLADE, FRONT SQUEEGEE, LINATEX (RED) | 1 |
| ▲ 2 | 605029 | ●BLADE, REAR SQUEEGEE, LINATEX (RED) | 1 |
| 1 | 605032 | ●BLADE, FRONT SQUEEGEE, URETHANE (WHITE) | 1 |
| 2 | 611634 | ●BLADE, REAR SQUEEGEE, URETHANE (WHITE) | 1 |
| ▽ | 606741 | ASSEMBLY, SQUEEGEE, GUM RUBBER | 1 |
| ▲▽ | 606757 | ●KIT, SQUEEGEE BLADES, GUM RUBBER | 1 |
| ▲ 1 | 605028 | ●BLADE, FRONT SQUEEGEE, GUM RUBBER (TAN) | 1 |
| ▲ 2 | 605027 | ●BLADE, REAR SQUEEGEE, GUM RUBBER (TAN) | 1 |
| ▲ 3 | 605026 | CASTING, SQUEEGEE | 1 |

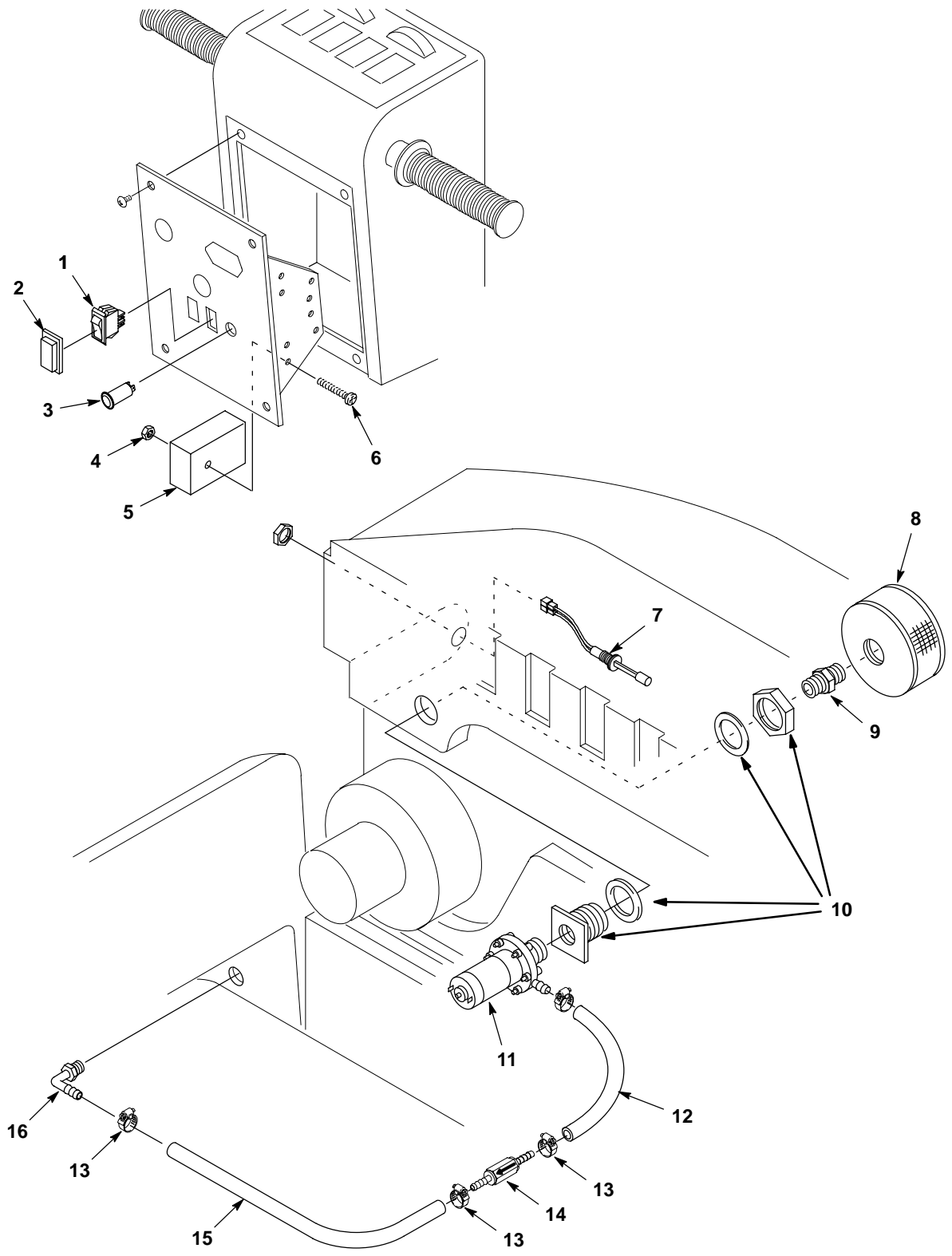
| REF | PART # | DESCRIPTION | QTY. |
|------|-----------|------------------------------|------|
| ▲ 4 | 140799 | SCREW, 5/16–18X1–1/2 | 2 |
| ▲ 5 | 605034 | RETAINER, FRONT STRIP | 1 |
| ▲ 6 | 370100 | ●KNOB, 5/16 STAR | 2 |
| ▲ 7 | 603012 | ●KNOB, FRONT SQUEEGEE | 6 |
| ▲ 8 | 630450 | WHEEL, 76 DIA X 22 | 2 |
| ▲ 9 | 611489 | SCREW, 5/16–18X1–3/4 | 2 |
| ▲ 10 | 605033 | SQUEEGEE, BAND ASM REAR | 1 |
| ▲ 11 | 601108000 | NUT, HEX LOCK, .31–18 | 1 |
| ▲ 12 | 630477 | ●WHEEL | 1 |
| ▲ 13 | 140028 | WASHER, 3/8 FLAT | 2 |
| ▲ 14 | 600187 | SCREW, SHOULDER, 3/8 X 1 1/4 | 1 |
| ▲ 15 | 140283 | NUT, M5X.8 NYLOCK | 1 |
| ▲ 16 | 605069 | CLIP, SQUEEGEE BAND | 1 |
| ▲ 17 | 630389 | SCREW, M5 7/8X45MM | 1 |
| ▲ 18 | 140506 | NUT, 5/16–18 | 2 |

▽ ASSEMBLY / CONJUNTO

▲ INCLUDED IN ASSEMBLY / INCLUIDO EN EL CONJUNTO

● RECOMMENDED STOCK ITEMS / ARTICULOS RECOMENDADOS PARA MANTENER EN EXISTENCIA

ES™ KIT
ES™ JUEGO



**ES™ KIT
ES™ JUEGO**

| REF | PART # | DESCRIPTION | QTY. |
|-----|-----------|-----------------------------|------|
| ▽ | 604780 | ●KIT, ES™ | 1 |
| ▲ 1 | 630419 | ●SWITCH, ROCKER | 1 |
| ▲ 2 | 578720 | ●SPLASHGUARD, RCKR SWITCH | 1 |
| ▲ 3 | 130738 | ●LIGHT, INDICATOR GREEN | 1 |
| ▲ 4 | 140283 | NUT | 1 |
| ▲ 5 | 630145 | ●TIMER, 24VDC, RANGE:30SEC | 1 |
| ▲ 6 | 578008000 | SCREW | 1 |
| ▲ 7 | 603166 | ●SWITCH, LIQUID LEVEL W/NUT | 1 |
| ▲ 8 | 630138 | ●FILTER, SCREEN | 1 |
| ▲ 9 | 630385 | FITTING, 3/4M NIPPLE | 1 |

| REF | PART # | DESCRIPTION | QTY. |
|------|--------|--------------------------|------|
| ▲ 10 | 601490 | FITTING, 3/4NPT BULKHEAD | 1 |
| ▲ 11 | 630136 | ●PUMP, SOLUTION 24VDC | 1 |
| ▲ 12 | 605282 | TUBING, 5/8X.5' | 1 |
| ▲ 13 | 140310 | CLAMP, HOSE | 4 |
| ▲ 14 | 210044 | ●VALVE, CHECK | 1 |
| ▲ 15 | 605282 | TUBING, 5/8X1.25' | 1 |
| ▲ 16 | 150415 | FITTING, ELBOW 90° | 1 |
| ▲N/S | 604787 | HARNESS, WIRE ES™ | 1 |
| ▲N/S | 630440 | DECAL, REMOVE FILTER | 1 |

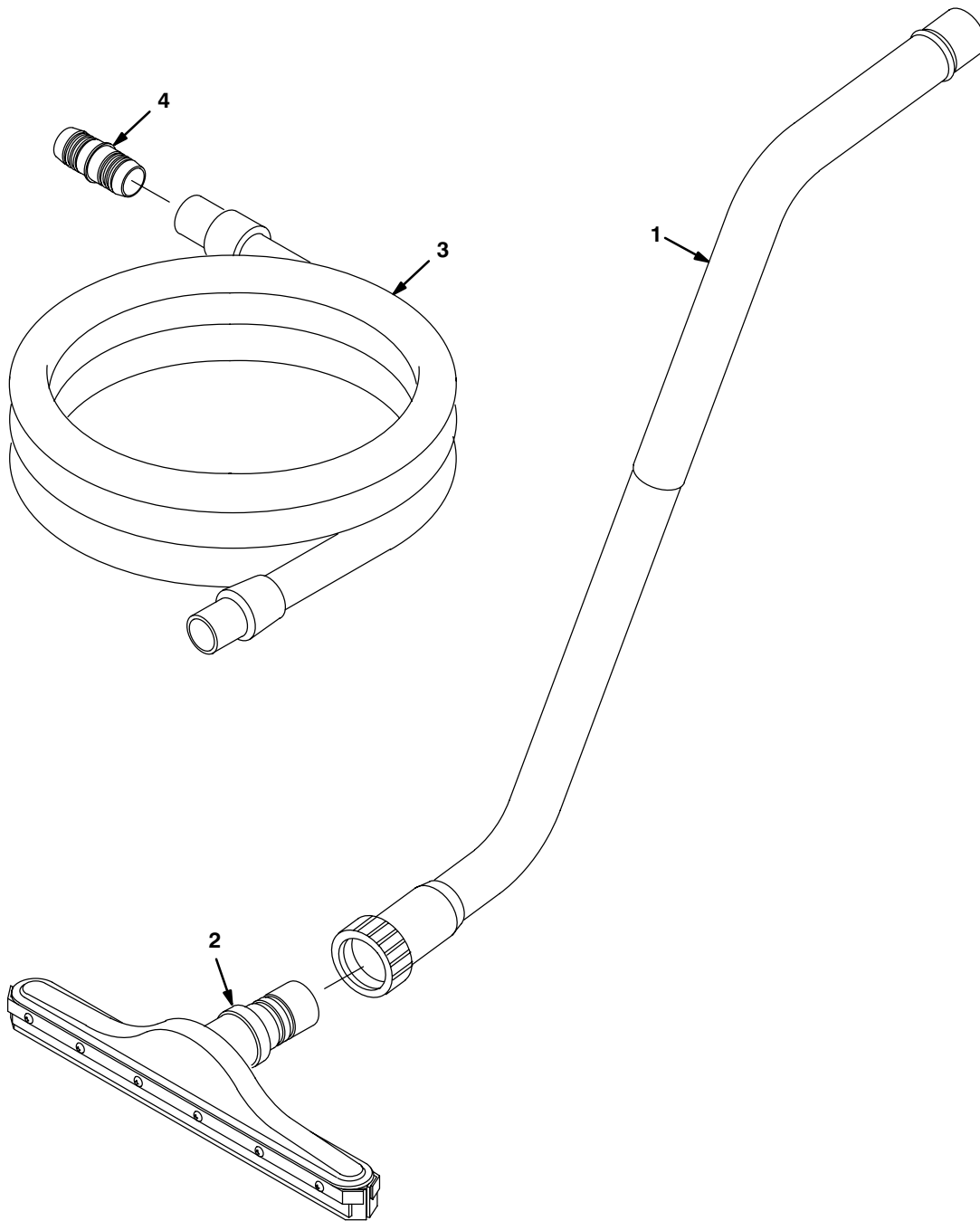
▽ ASSEMBLY / CONJUNTO

▲ INCLUDED IN ASSEMBLY / INCLUIDO EN EL CONJUNTO

● RECOMMENDED STOCK ITEMS / ARTICULOS RECOMENDADOS

N/S = NOT SHOWN

**SQUEEGEE WAND ASSEMBLY
GROUPE D'ASPIRATION ET RACLETTE À MAIN**



| REF | PART # | DESCRIPTION | QTY. |
|-----|--------|------------------------|------|
| ▽ | 190928 | ●ASM, WAND DOUBLE BEND | 1 |
| ▲ 1 | 6108.1 | WAND, DOUBLE BEND | 1 |
| ▲ 2 | 13840 | SQUEEGEE ASM PUSH/PULL | 1 |

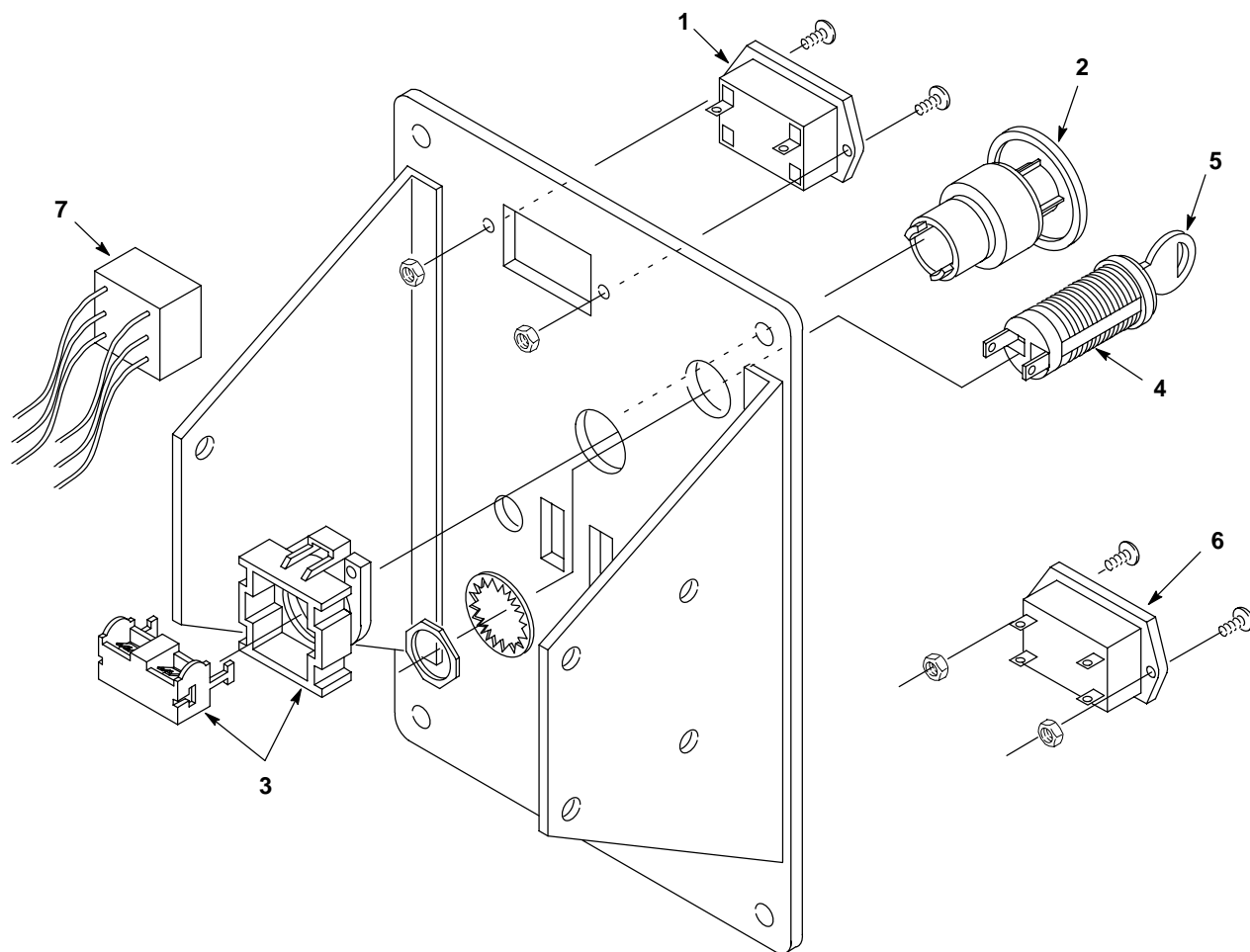
| REF | PART # | DESCRIPTION | QTY. |
|-----|--------|----------------------|------|
| ▲ 3 | 160481 | ●HOSE, VAC 1-1/2X10' | 1 |
| ▲ 4 | 160451 | CONNECTOR, VAC HOSE | 1 |

▽ ASSEMBLY / CONJUNTO

▲ INCLUDED IN ASSEMBLY / INCLUIDO EN EL CONJUNTO

● RECOMMENDED STOCK ITEMS / ARTICULOS RECOMENDADOS

**HR METER, EMERGENCY STOP, KEYSWITCH AND LOW VOLTAGE KITS
MEDIDOR DE HORA, BOTÓN DE EMERGENCIA, INTERRUPTOR DE LLAVE,
HERRAMIENTAS DE BAJO VOLTAGE**



| REF | PART # | DESCRIPTION | QTY. |
|-------|--------|--------------------------------|------|
| ▽ | 602999 | ●KIT, HOUR METER | 1 |
| ▲ 1 | 630143 | ●METER, HOUR | 1 |
| ▲ N/S | 603000 | ASM., WIRE #18X5" BLU | 1 |
| ▲ N/S | 603004 | ASM WIRE #18X5" BLK | 1 |
| ▽ | 602995 | ●KIT, EMERGENCY STOP | 1 |
| ▲ 2 | 630100 | ●SWITCH, EMERGENCY STOP BUTTON | 1 |
| ▲ 3 | 630097 | ●SWITCH, CONTACT BLOCK | 1 |
| ▲ N/S | 602996 | ASM, WIRE #16X5" RED 1/4FX1/4F | 1 |
| ▲ N/S | 602997 | ASM, WIRE #16X5" RED 1/4MX1/4F | 1 |

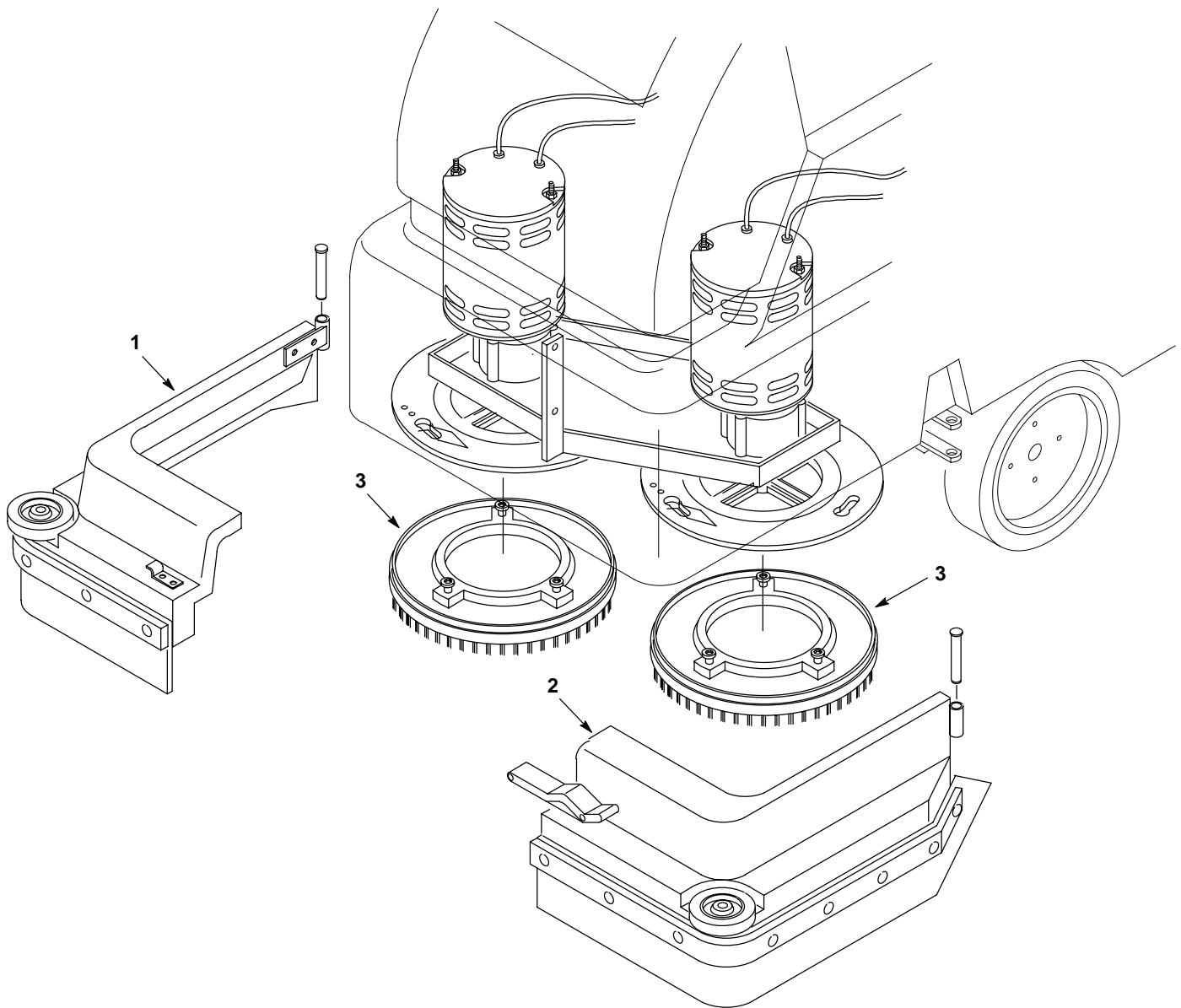
| REF | PART # | DESCRIPTION | QTY. |
|------|--------|------------------------------|------|
| ▽ | 602993 | ●KIT, KEYSWITCH | 1 |
| ▲▽ 4 | 612462 | ●SWITCH, KEY | 1 |
| ▲ 5 | 607821 | ●KEY, REPLACEMENT | 1 |
| ▽ | 603074 | ●KIT, LOW VOLTAGE CUTOFF | 1 |
| ▲ 6 | 603076 | ●GAUGE, BATTERY 24V | 1 |
| ▲ 7 | 603314 | ASM., RELAY LOW VLTGE CUTOFF | 1 |
| ▲N/S | 603078 | ASM., WIRE #18X9" GRN | 1 |
| ▲N/S | 603080 | ASM., WIRE #18X8" BLK | 1 |
| ▲N/S | 603081 | ASM., WIRE #18X12" RED | 1 |
| ▲N/S | 130040 | WIRE TIE | 1 |

▽ ASSEMBLY / CONJUNTO

▲ INCLUDED IN ASSEMBLY / INCLUIDO EN EL CONJUNTO

● RECOMMENDED STOCK ITEMS / ARTICULOS RECOMENDADOS PARA MANTENER EN EXISTENCIA

CONVERSION KIT
JUEGO DE CONVERSIÓN



**CONVERSION KIT
JUEGO DE CONVERSIÓN**

| REF | PART # | DESCRIPTION | QTY. |
|-----|--------|--------------------------------------|------|
| ▽ | 609769 | ●KIT, CONVERSION TO 2401 GRN | 1 |
| | 609768 | ●KIT, CONVERSION TO 2601 GRN | 1 |
| ▲ 1 | 609772 | ASM., SKIRT OPERATOR RH GREEN (2401) | 1 |
| | 609770 | ASM., SKIRT OPERATOR RH GREEN (2601) | 1 |
| ▲ 2 | 609773 | ASM., SKIRT OPERATOR LH GREEN (2401) | 1 |
| | 609771 | ASM., SKIRT OPERATOR LH GREEN (2601) | 1 |

| REF | PART # | DESCRIPTION | QTY. |
|------|--------|---|------|
| ▲ 3 | 240262 | ●ASM., PAD DRIVER 2/PK 305MM / 12" (2401) | 2 |
| | 602928 | ●ASM., PAD DRIVER 2/PK 330MM / 13" (2601) | 2 |
| ▲N/S | 603262 | ASM., SQUEEGEE CURVED (2401) | 1 |
| | 603263 | ASM., SQUEEGEE CURVED (2601) | 1 |
| ▲N/S | 608450 | DECAL, SPEEDSCRUB 2401 | 2 |
| | 608449 | DECAL, SPEEDSCRUB 2601 | 2 |

▽ ASSEMBLY / CONJUNTO

▲ INCLUDED IN ASSEMBLY / INCLUIDO EN EL CONJUNTO

● RECOMMENDED STOCK ITEMS / ARTICULOS RECOMENDADOS PARA MANTENER EN EXISTENCIA