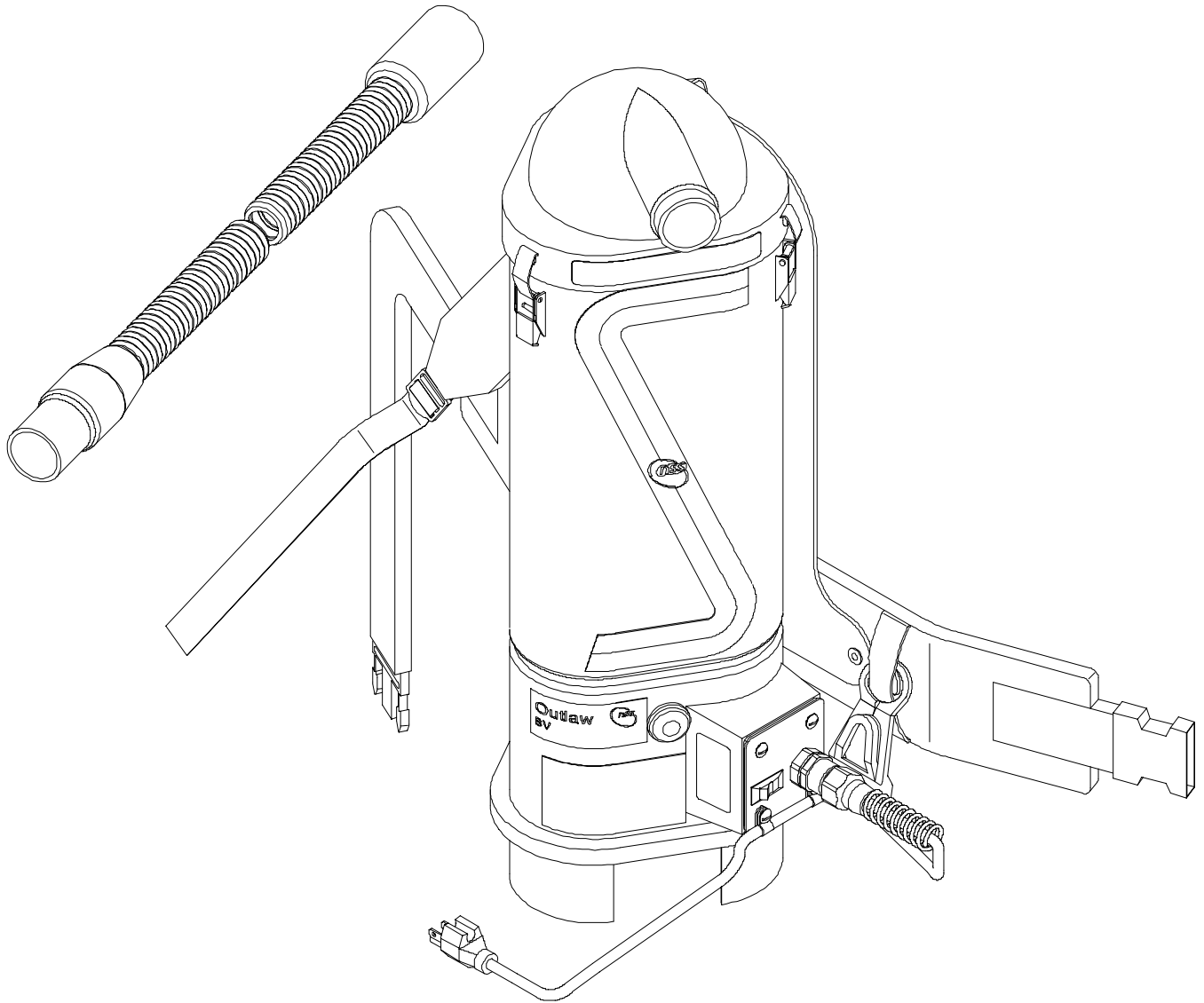


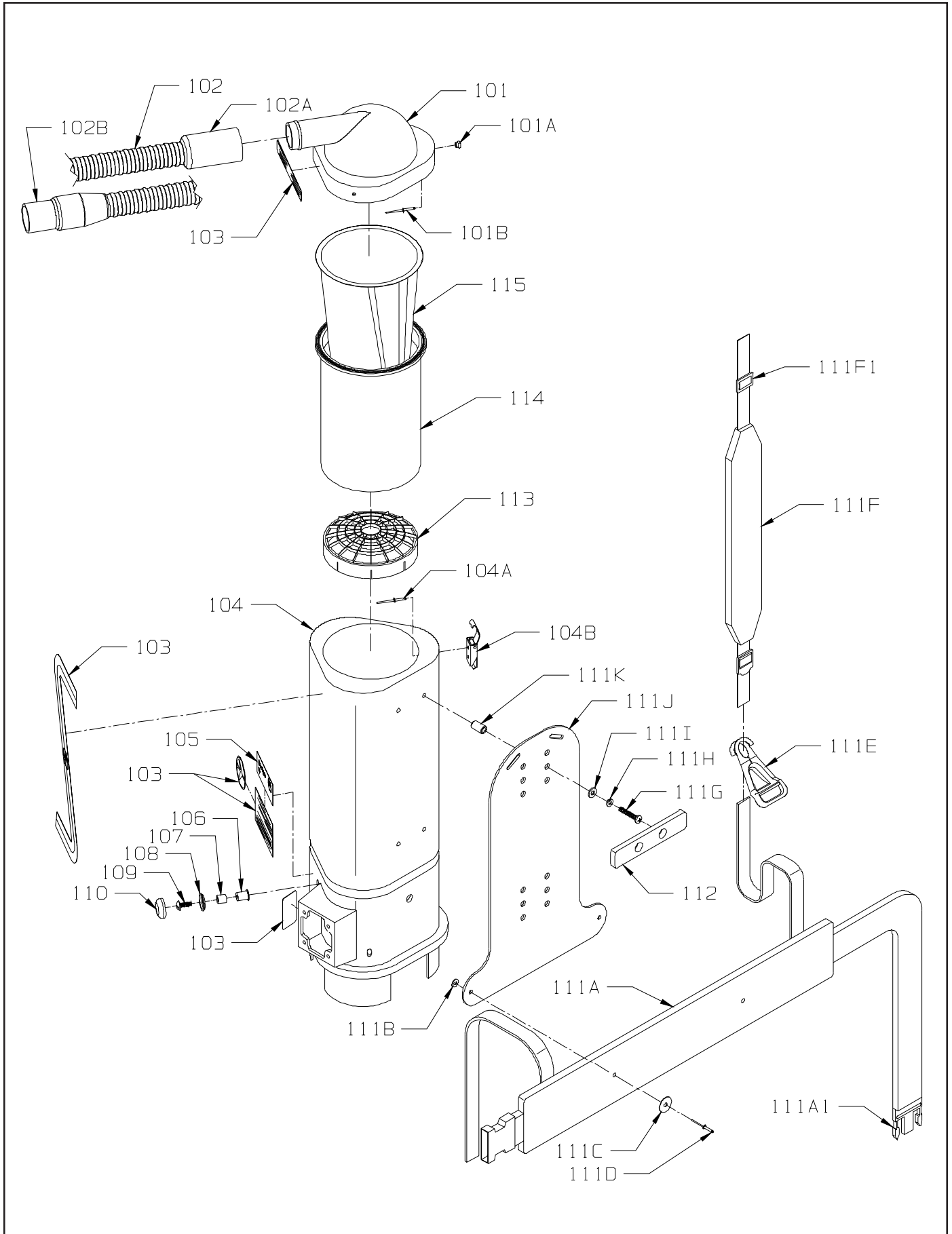
PARTS LIST
OUTLAW BV - DRY VACUUM



HOUSING ASSEMBLY

<u>ITEM</u>	<u>PART NO.</u>	<u>DESCRIPTION</u>	<u>QTY</u>
	6793339	TOP COVER ASSEMBLY - INCLUDES:	1
101	6793331	TOP COVER	1
101A	6793171	CLAMP BUTTON - BUTTON ONLY	3
101B	9120319	5/32 X 3/8 DOME HEAD POP RIVET - PACK OF 5	3
102	6793251	VACUUM HOSE - 1 5/8" I.D. X 54" LONG - INCLUDES:	1
102A	2590371	HOSE CUFF	1
102B	2595111	SWIVEL HOSE CUFF - 1 1/2" I.D.	1
102	6790241	VACUUM HOSE - 1 5/8" I.D. X 66" LONG - INCLUDES:	1
102A	2590371	HOSE CUFF	1
102B	2595111	SWIVEL HOSE CUFF - 1 1/2" I.D.	1
103	6792781	OUTLAW B/V LABEL KIT	1
104	6793011	MOLDED TANK - INCLUDES:	1
104A	9120319	5/32 X 3/8 DOME HEAD POP RIVET - PACK OF 5	3
104B	6793181	CLAMP AND BUTTON	3
105	6792791	NAME IDENTIFIER DECAL	1
106	6792971	.5 DIAMETER X .63 LONG (1/4-20) WELLNUT	3
107	6792951	1/2 O.D. X 1/4 I.D. X 1/2 SPACER	3
108	6793271	WASHER / FINISH CAP	3
109	9121010	1/4-20 X 3/4 TRUSS HEAD MACHINE SCREW - PACK OF 5	3
110	6793261	PLASTIC SCREW CAP	3
111	6793729	HARNES COMPLETE - INCLUDES	1
111A	6793151	BELT SUPPORT HARNESS - INCLUDES:	1
111A1	6793561	BELT BUCKLE, SIDE RELEASE	1
111B	9120370	7/32 I.D. X 1/2 O.D. X .032/.065 THICK FLAT WASHER - #10 - PACK OF 10	2
111C	6793271	WASHER / FINISH CAP	2
111D	9120817	3/16 X 11/16 DOME HEAD POP RIVET - ALUMINUM - PACK OF 5	2
111E	3190571	STRAIN RELIEF - TYPE 530	1
111F	6793291	SHOULDER SUPPORT PAD - INCLUDES:	2
111F1	6793551	BELT SIDE	2
111G	9121130	1/4-20 X 1 1/2 TRUSS HEAD PHILLIPS MACHINE SCREW - PACK OF 5	4
111H	9120970	1/4 EXTERNAL STAR LOCK WASHER - PACK OF 10	4
111 I	9120930	9/32 I.D. X 5/8 O.D. FLAT WASHER (1/4) - PACK OF 10	4
111J	6793161	BACK SUPPORT PLATFORM	1
111K	6793281	PLASTIC SPACER	4
	6792989	BACK PACK PAD KIT - INCLUDES:	1
112	6792981	BACK PACK PAD	2
113	6790351	DOME FILTER	1
114	6790121	BAG - CLOTH	1
115	6790091	PAPER BAG - 10 PER PACK	1

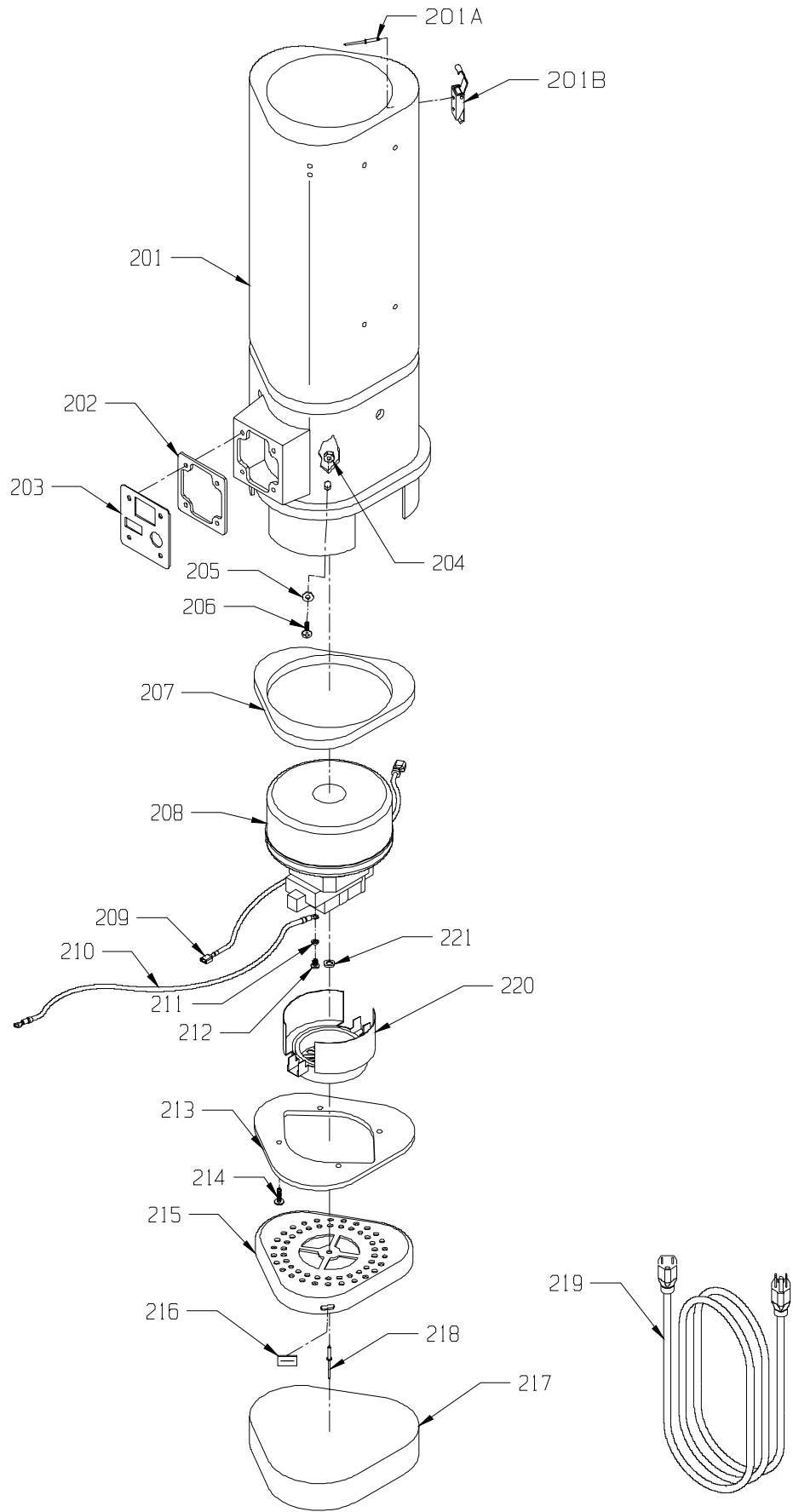
HOUSING ASSEMBLY



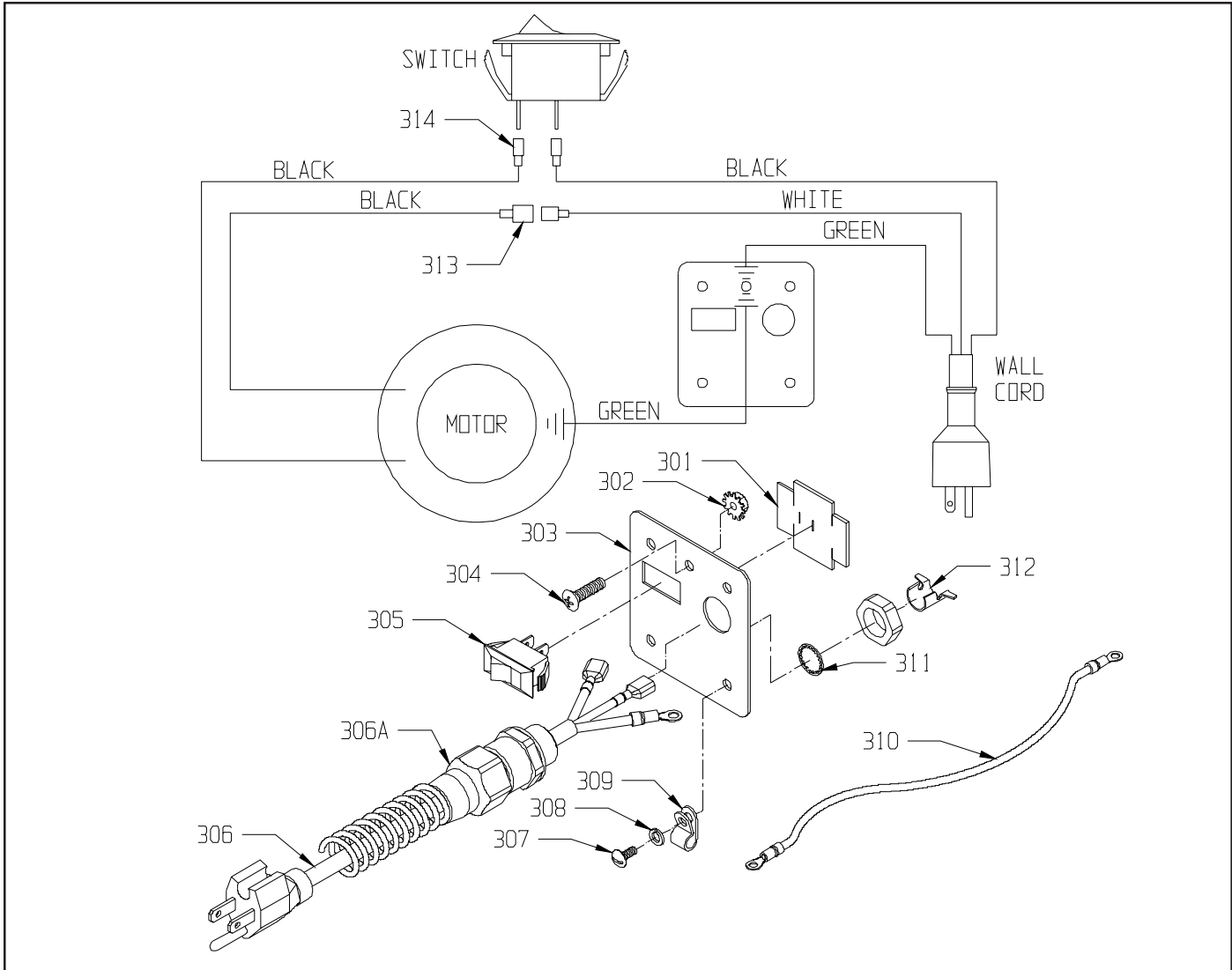
MOTOR ASSEMBLY

<u>ITEM</u>	<u>PART NO.</u>	<u>DESCRIPTION</u>	<u>QTY</u>
201	6793011	MOLDED TANK WITH CLAMPS	1
201A	9120319	5/32 X 3/8 DOME HEAD POP RIVET - PACK OF 5	6
201 B	6793181	CLAMP AND BUTTON	3
202	6793301	GASKET - COVER PLATE	1
203	----	SEE WIRING DIAGRAM PAGES FOR DETAILS	1
204	9120350	10-24 HEX NUT WITH NYLOK INSERT - PACK OF 10	1
205	9120370	7/32 I.D. X 1/2 O.D. X .032/.065 THICK FLAT WASHER - #10 - PACK OF 10	2
206	9120420	10-24 X 5/8 ROUND HEAD PHILLIPS MACHINE SCREW - PACK OF 10	1
207	6793071	VACUUM MOTOR GASKET	1
208	6793091	VACUUM MOTOR - 120 VOLT - INCLUDES:	1
208A	2392581	CARBON BRUSH - 120 VOLT	2
208	6790319	VACUUM MOTOR ASSEMBLY - 120 VOLT - 400 HZ - INCLUDES:	1
208A	6793411	CARBON BRUSH - 120 VOLT - 400HZ	2
208B	6793091	VACUUM MOTOR ONLY	1
209	4991361	FULLY INSULATED FEMALE TERMINAL 18 - 22 GAGE	2
208	6793321	VACUUM MOTOR - 240 VOLT - INCLUDES:	1
208A	4891781	CARBON BRUSH - 240 VOLT	2
209	----	TERMINALS SEE WIRING DIAGRAMS FOR DETAILS	
210	----	GROUND WIRE SEE WIRING DIAGRAM PAGES FOR DETAILS	
211	9120320	#10 SPLIT LOCK WASHER - PACK OF 10	1
212	9120590	10-24 X 3/8 PAN HEAD PHILLIPS THREAD CUTTING SCREW - PACK OF 10	1
213	6793061	VACUUM MOTOR GASKET HOLDER	2
214	9120625	10-24 X 3/4 HEX WASHER HEAD SLOT THREAD CUTTING SCREW - PACK OF 2	4
215	6793041	PERFORATED EXHAUST COVER	1
216	6793691	GASKET - PERFORATED EXHAUST COVER	1
217	6793031	FOAM EXHAUST FILTER	1
218	9120817	3/16 X 11/16 DOME HEAD POP RIVET - PACK OF 6	1
219	6790421	50 FOOT CORD - 120 VOLT	1
	6793021	50 FOOT SHUKO CORD - 240 VOLT	1
	6791141	75 FOOT AIRLINE GALLEY CORD	1
	6790231	75 FOOT AIRLINE CABIN CORD	1
220	3193111	VACUUM MOTOR CAP	1
221	9120370	7/32 I.D. X 1/2 O.D. X .032/.065 THICK FLAT WASHER - PACK OF 10	1

MOTOR ASSEMBLY

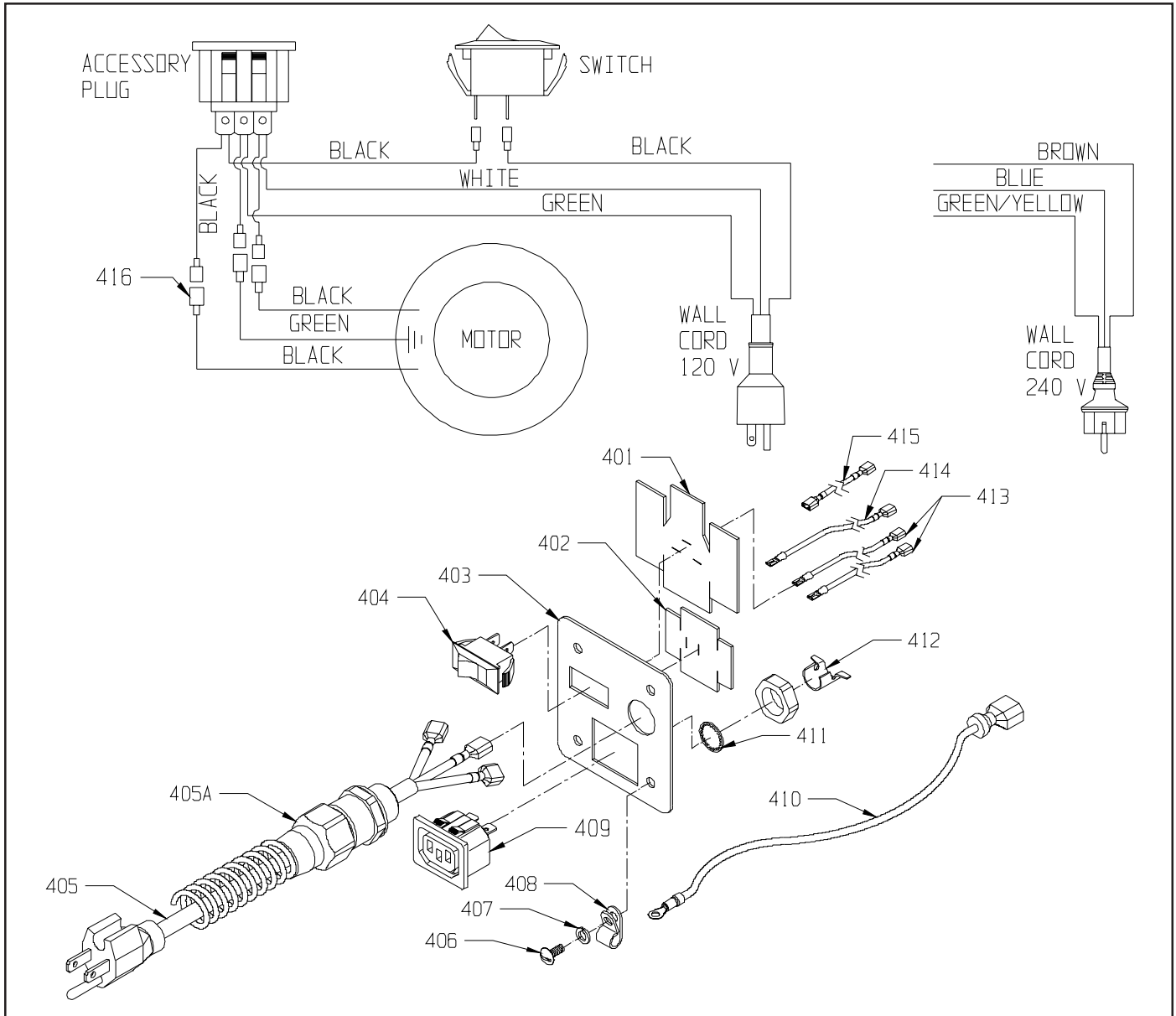


WIRE DIAGRAM - SWITCH ON BODY
120 VOLT: 6706702



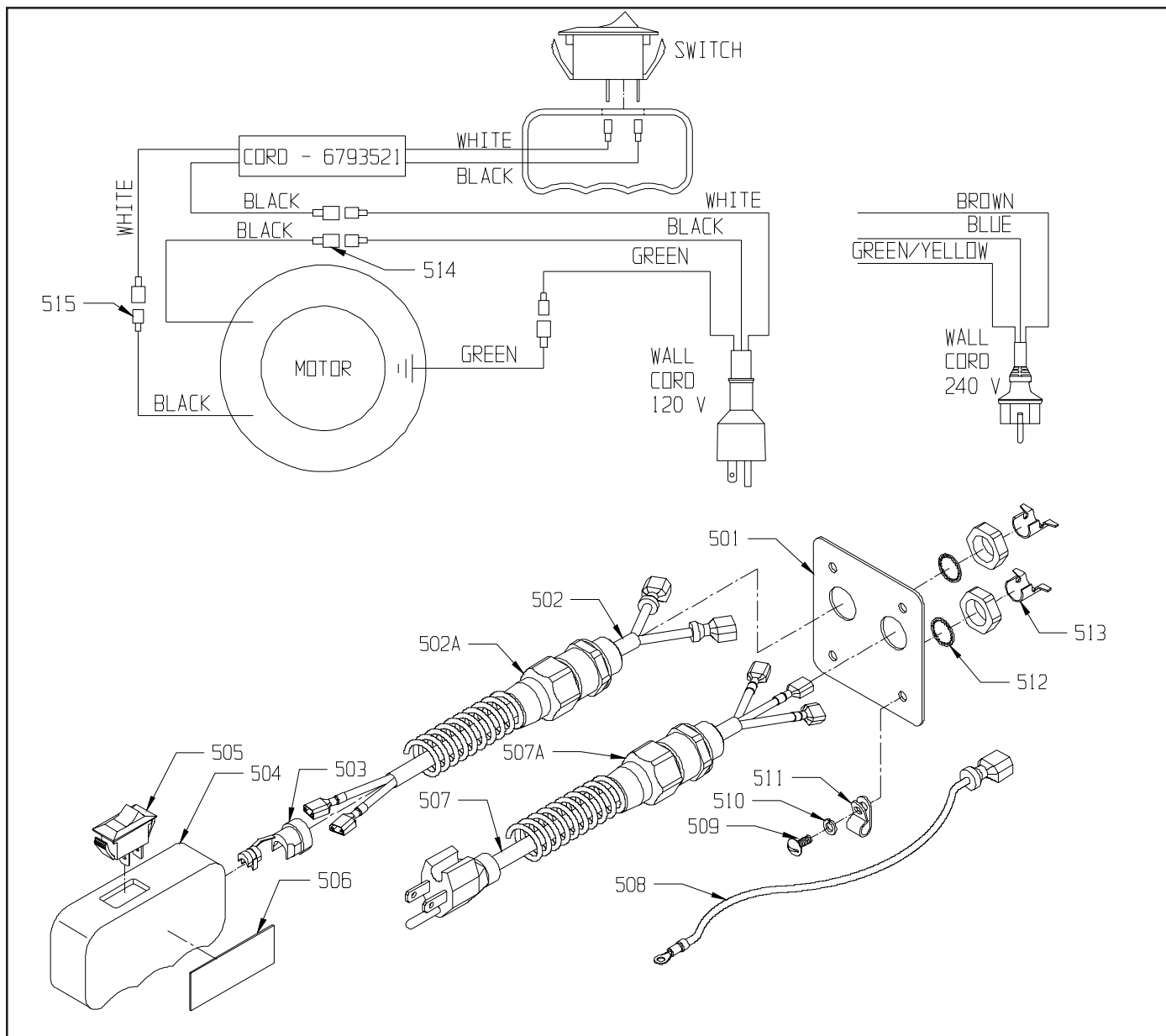
<u>ITEM</u>	<u>PART NO.</u>	<u>DESCRIPTION</u>	<u>QTY</u>
301	6793671	GASKET - COVER - ROCKER SWITCH	1
302	9120360	10-24 HEX NUT WITH STAR LOCK WASHER - PACK OF 10	3
303	6793133	COVER PLATE - ON BOARD - NO ACCESSORY PLUG	1
304	9120430	10-24 X 3/4 ROUND HEAD PHILLIPS MACHINE SCREW - PACK OF 10	1
305	4890751	ROCKER SWITCH	1
306	6793391	PIG-TAIL CORD 120 VOLT - INCLUDES:	1
306A	6793221	STRAIN RELIEF - INCLUDES NUT	1
307	9120410	10-24 X 1/2 ROUND HEAD PHILLIPS MACHINE SCREW - PACK OF 10	4
308	9120320	#10 SPLIT LOCK WASHER - PACK OF 10	4
309	6793651	NYLON CABLE CLAMP	2
310	3290691	GREEN WIRE - GROUND TO MOTOR	1
311	9122900	3/4 INTERNAL STAR LOCK WASHER - PACK OF 5	1
312	0299661	STRAIN RELIEF CORD CLAMP	1
313	4991371	FULLY INSULATED MALE TERMINAL 18 - 22 GAGE	1
314	4991361	FULLY INSULATED FEMALE TERMINAL 18 - 22 GAGE	1

WIRE DIAGRAM - SWITCH ON BODY
120 VOLT: 6706704 - 240 VOLT: 6706709



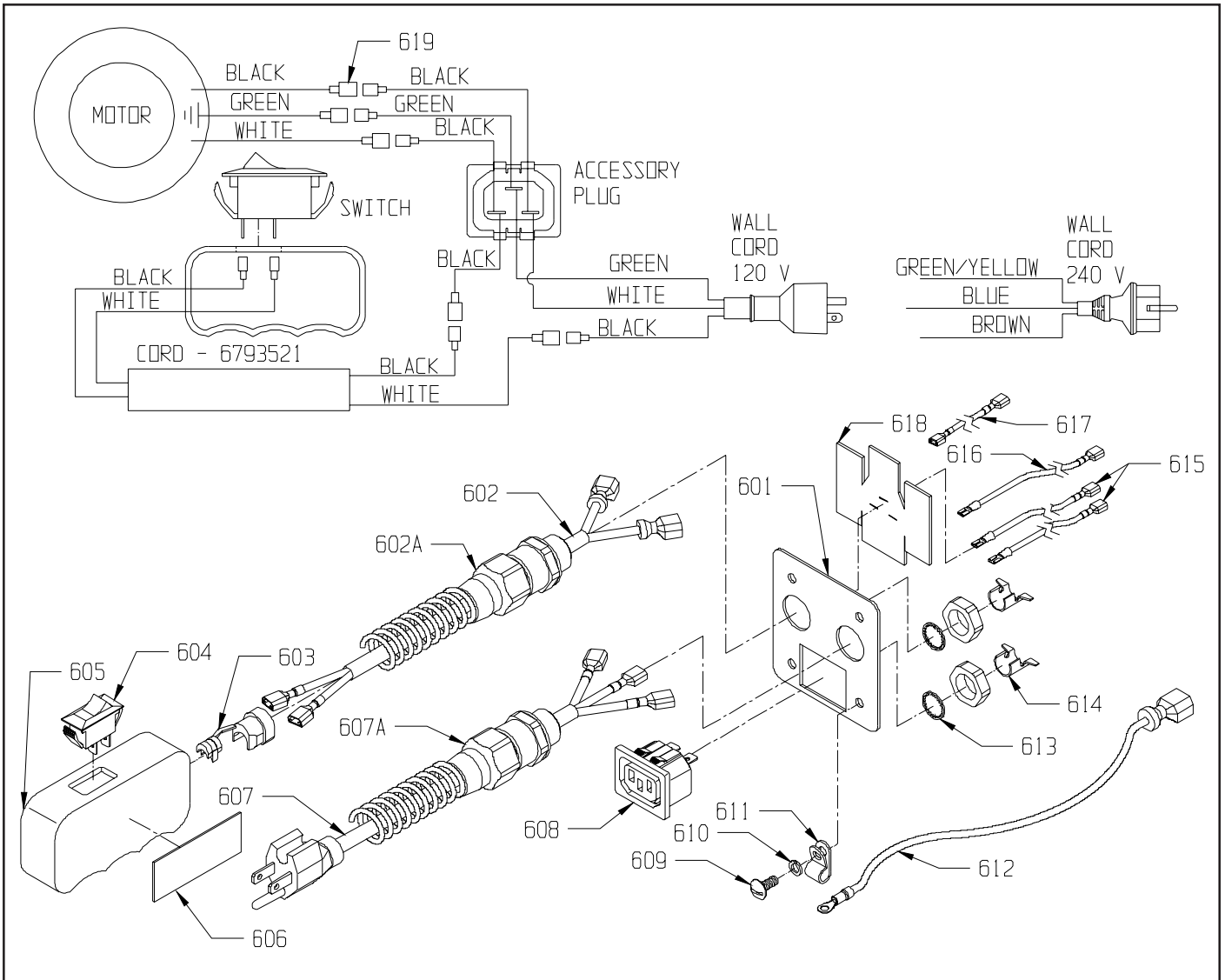
<u>ITEM</u>	<u>PART NO.</u>	<u>DESCRIPTION</u>	<u>QTY</u>
401	6793661	GASKET - COVER - ACCESSORY PLUG	1
402	6793671	GASKET - COVER - ROCKER SWITCH	1
403	6793053	COVER PLATE	1
404	4890751	ROCKER SWITCH	1
405	6793231	PIG-TAIL CORD - 120 / 240 VOLT - INCLUDES:	1
405A	6793221	STRAIN RELIEF - INCLUDES NUT	1
406	9120410	10-24 X 1/2 ROUND HEAD PHILLIPS MACHINE SCREW - PACK OF 10	4
407	9120320	#10 SPLIT LOCK WASHER - PACK OF 10	4
408	6793651	NYLON CABLE CLAMP	1
409	6793421	ACCESSORY OUTLET - FOR POWER WAND	1
410	6793611	GROUND WIRE	1
411	9122900	3/4 INTERNAL STAR LOCK WASHER - PACK OF 5	1
412	0299661	STRAIN RELIEF CORD CLAMP	1
413	6793581	BLACK WIRE - ACCESSORY OUTLET TO MOTOR	2
414	6793571	GROUND WIRE ACCESSORY OUTLET	1
415	2792371	WIRE #14 X 6" #62	1
416	4991371	FULLY INSULATED MALE TERMINAL 18 - 22 GAGE	2

WIRE DIAGRAM - SWITCH ON BELT
120 VOLT: 6706705 - 240 VOLT: 6706708



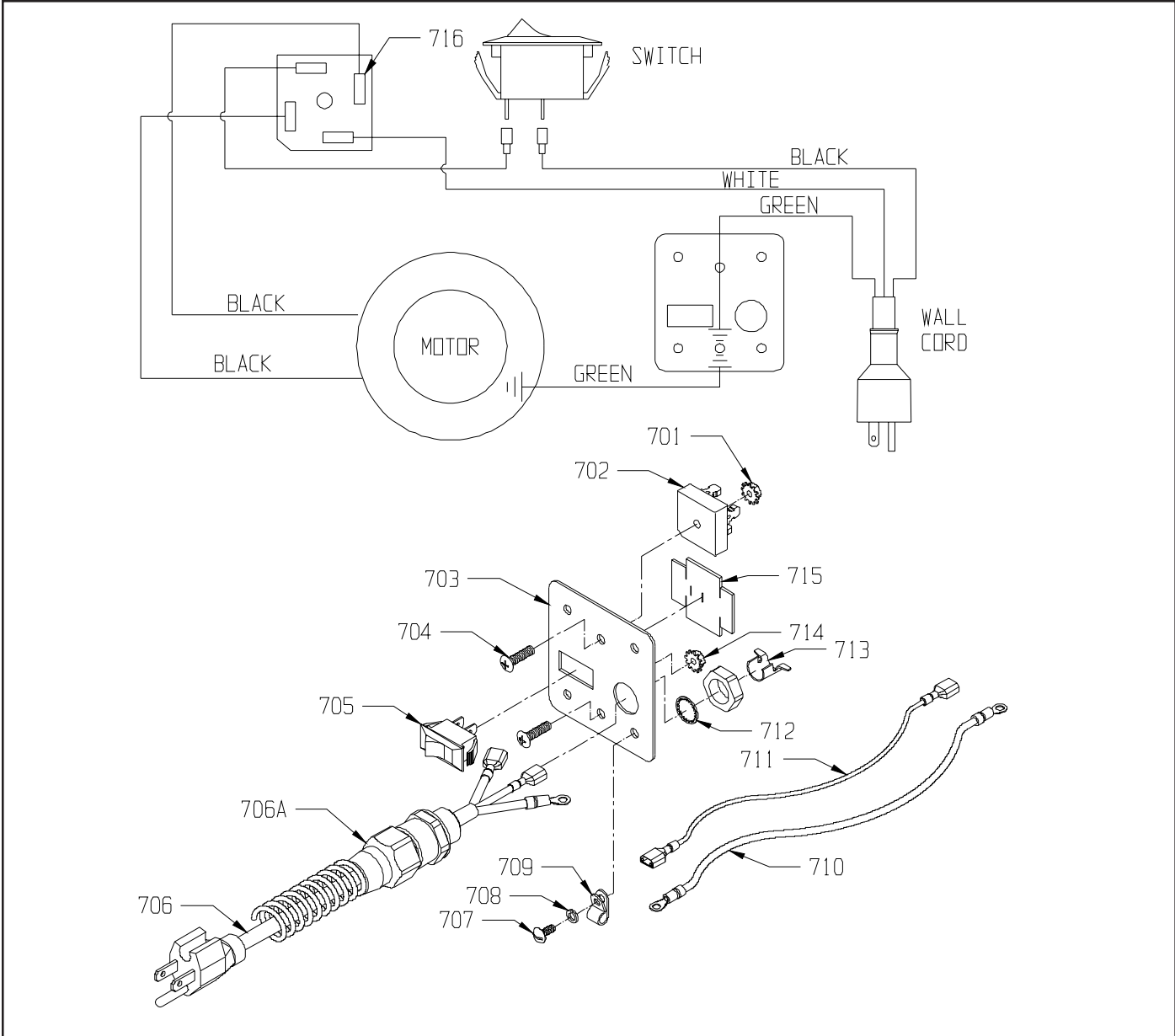
<u>ITEM</u>	<u>PART NO.</u>	<u>DESCRIPTION</u>	<u>QTY</u>
501	6793513	COVER PLATE	1
502	6793521	CORD TO SWITCH BOX - ON BELT - INCLUDES:	1
502A	6793221	STRAIN RELIEF - INCLUDES NUT	1
503	6793531	CORD CLAMP	1
504	6793141	BOX - SWITCH ON BELT	1
505	4890751	ROCKER SWITCH	1
506	9997560	VELCRO LOOPS	.25'
507	6793231	PIG-TAIL CORD - 120 / 240 VOLT - INCLUDES:	1
507A	6793221	STRAIN RELIEF - INCLUDES NUT	1
508	6793611	GROUND WIRE - 120 / 240 VOLT	1
509	9120410	10-24 X 1/2 ROUND HEAD PHILLIPS MACHINE SCREW - PACK OF 10	4
510	9120320	#10 SPLIT LOCK WASHER - PACK OF 10	4
511	6793651	NYLON CABLE CLAMP	1
512	9122900	3/4 INTERNAL STAR LOCK WASHER - PACK OF 5	1
513	0299661	STRAIN RELIEF CORD CLAMP	1
514	4991371	FULLY INSULATED MALE TERMINAL 18 - 22 GAGE	1
515	4991361	FULLY INSULATED FEMALE TERMINAL 18 - 22 GAGE	1

WIRE DIAGRAM - SWITCH ON BELT
120 VOLT: 6706710 - 240 VOLT: 6706711



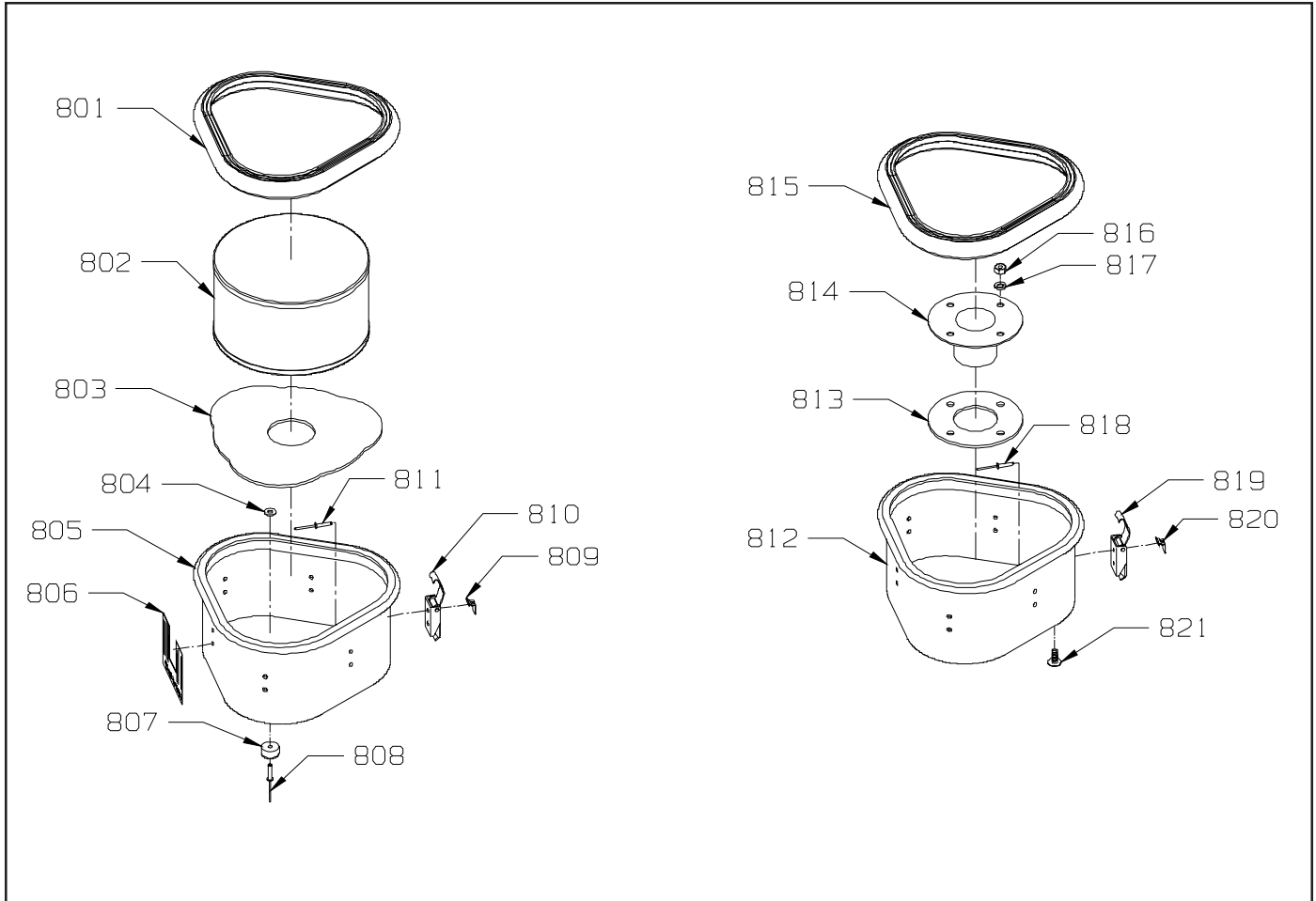
ITEM	PART NO.	DESCRIPTION	QTY
601	6793503	COVER PLATE	1
602	6793521	CORD TO SWITCH BOX - ON BELT - INCLUDES:	1
602A	6793221	STRAIN RELIEF - INCLUDES NUT	1
603	6793531	CORD CLAMP	1
604	4890751	ROCKER SWITCH	1
605	6793141	BOX - SWITCH - ON BELT	1
606	9997560	VELCRO LOOPS	.25'
607	6793231	PIG-TAIL CORD - 120 / 240 VOLT - INCLUDES:	1
607A	6793221	STRAIN RELIEF - INCLUDES NUT	1
608	6793421	ACCESSORY OUTLET	1
609	9120410	10-24 X 1/2 ROUND HEAD PHILLIPS MACHINE SCREW - PACK OF 10	4
610	9120320	#10 SPLIT LOCK WASHER - PACK OF 10	4
611	6793651	NYLON CABLE CLAMP	1
612	6793611	GROUND WIRE - 115 / 240 VOLT	1
613	9122900	3/4 INTERNAL STAR LOCK WASHER - PACK OF 5	1
614	0299661	STRAIN RELIEF CORD CLAMP	1
615	6793581	BLACK WIRE ACCESSORY OUTLET TO MOTOR	2
616	6793571	GROUND WIRE ACCESSORY OUTLET	1
617	2792371	WIRE #14 X 6" #62	1
618	6793661	GASKET - COVER - ACCESSORY PLUG	1
619	4991371	FULLY INSULATED MALE TERMINAL 18 - 22 GAGE	2

**WIRE DIAGRAM - SWITCH ON BODY
120 VOLT: 6706712 (AIRCRAFT)**



<u>ITEM</u>	<u>PART NO.</u>	<u>DESCRIPTION</u>	<u>QTY</u>
701	9120360	10-24 HEX NUT WITH STAR LOCK WASHER - PACK OF 10	1
702	4894771	RECTIFIER	1
703	6793313	COVER PLATE	1
704	9120430	10-24 X 3/4 ROUND HEAD PHILLIPS MACHINE SCREW - PACK OF 10	2
705	4890751	ROCKER SWITCH	1
706	6793391	PIG-TAIL CORD 120 VOLT - INCLUDES:	1
706A	6793221	STRAIN RELIEF - INCLUDES NUT	1
707	9120410	10-24 X 1/2 ROUND HEAD PHILLIPS MACHINE SCREW - PACK OF 10	4
708	9120320	#10 SPLIT LOCK WASHER - PACK OF 10	4
709	6793651	NYLON CABLE CLAMP	1
710	3290691	GREEN WIRE GROUND TO MOTOR	1
711	2792371	WIRE #14 X 6" #62	1
712	9122900	3/4 INTERNAL STAR LOCK WASHER - PACK OF 5	1
713	0299661	STRAIN RELIEF CORD CLAMP	1
714	9120360	10-24 HEX NUT WITH STAR LOCK WASHER - PACK OF 10	3
715	6793671	GASKET, COVER, ROCKER SWITCH	1
716	4991361	FULLY INSULATED FEMALE TERMINAL 18 - 22 GAGE	1

HEPA FILTER ASSEMBLY BLOWER ASSEMBLY



HEPA FILTER ASSEMBLY - 6793459

<u>ITEM</u>	<u>PART NO.</u>	<u>DESCRIPTION</u>	<u>QTY</u>
801	6793121	GASKET - HEPA FILTER	1
802	6793111	HEPA FILTER ONLY	1
803	6793191	HEPA SEALING GASKET	1
804	9120370	7/32 I.D. X 1/2 O.D. X .032/.065 THICK FLAT WASHER - #10 - PACK OF 10	3
805	6793351	HEPA HOLDER	1
806	6793441	LABEL - HEPA	1
807	6793371	RUBBER FOOT	3
808	6793541	5/32 DIAMETER POP RIVET WITH 1/2 GRIP	3
809	6793001	SECONDARY LATCH	6
810	6793181	CLAMP AND BUTTON	6
811	9120319	5/32 X 3/8 DOME HEAD POP RIVET - PACK OF 5	12



BLOWER COVER ASSEMBLY - 6797169

<u>ITEM</u>	<u>PART NO.</u>	<u>DESCRIPTION</u>	<u>QTY</u>
812	6797161	BLOWER COVER	1
813	6797151	HOSE CONNECTOR GASKET	1
814	6797141	HOSE CONNECTOR	1
815	6793121	GASKET - HEPA FILTER	1
816	9120920	1/4-20 HEX NUT - PACK OF 10	4
817	9120880	1/4 SPLIT LOCK WASHER - PACK OF 10	4
818	9120319	5/32 X 3/8 DOME HEAD POP RIVET - PACK OF 5	12
819	6793181	CLAMP AND BUTTON	6
820	6793001	SECONDARY LATCH	6
821	9121000	1/4-20 X 5/8 TRUSS HEAD PHILLIPS MACHINE SCREW - PACK OF 6	4



ACCESSORIES



- 2290309 1 1/2" ALUMINUM TUBE HANDLE - SHORT
 3091039 1/2" CARPET TOOL - ALUMINUM SHOE
 3092323 28" ALUMINUM CREVICE TOOL

FILTERS / FILTER BAGS

- 6790091 10 PACK PAPER FILTER BAGS
 6790121 CLOTH FILTER BAG
 6793031 EXHAUST FILTER
 6790351 DOME FILTER (MOTOR)



HOSES

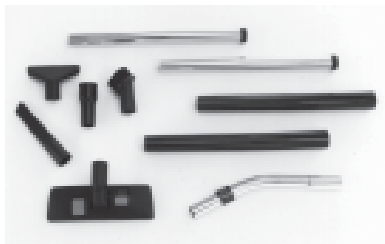
- 6793251 VAC HOSE - 1 5/8" I.D. X 54" LONG
 6790241 VAC HOSE - 1 5/8" I.D. X 66" LONG



POWER WAND

- 1601604 16" POWERWAND - 115 VOLT FOR USE WITH MODELS:
 6706704 OUTLAW B/V - 120 VOLT ON BOARD SWITCH WITH WAND
 6706710 OUTLAW B/V - 120 VOLT ON BELT SWITCH WITH WAND

TOOL KITS



- 6797059 DETAIL TOOL KIT
 3191469 HI-UP TUBE WITH CUFF ASSEMBLY
 5790111 TOOL - 2 1/2" ROUND BRUSH - 1 3/8" CONNECTOR END
 5790291 TOOL - CREVICE
 5790131 COMB - CARPET / BARE FLOOR TOOL 10"
 5790171 TOOL - 5 3/4" UPHOLSTERY - 5 3/4" LONG - NO BRISTLES
 5790311 NOZZLE - ADAPTOR, HOSE / ACCESSORIES
 5797181 WAND - 3 PIECE WITH 1 1/2" CURVED PIECE



- 6790141 LITE CARPET AND DUSTING KIT
 6790151 14" CARPET AND BARE FLOOR TOOL
 6790161 2-PIECE WAND
 6790171 16" CREVICE TOOL
 6790181 3" ROUND BRUSH



- 6790069 OPEN AREA TOOL KIT - INCLUDES:
 2290309 1.5 INCH ALUM TUBE HANDLE-SHORT
 2291211 5 IN ALUM CONNECTOR
 3091859 3 INCH RD BRUSH W/NYLON INSERT
 3092311 TOOL - 1.5x28" PLASTIC CREVICE
 3097099 TOOL - 16" PLAIN SHOE

- 6790229 12" PADDLE TOOL AND WAND - INCLUDES:
 6790161 WAND - 2 PIECE
 6790211 12" PADDLE TOOL



- 6793381 TOOL TOTE



NSS ® Enterprises, Inc.

3115 Frenchmens Road, Toledo, Ohio 43607
 PHONE (419) 531-2121 FAX (419) 531-3761

NSS ® Enterprises, Inc. European Distribution Centre
 Unit II, Pinfold Trading Estate * 55 Nottingham Road
 STAPLEFORD, NOTTINGHAM NG9 8AD ENGLAND U.K.
 PHONE: (44) 0115 939 1568 * FAX: (44) 0115 949 0615