

Port-A-Scrub

Model:

MC829847 (115V)

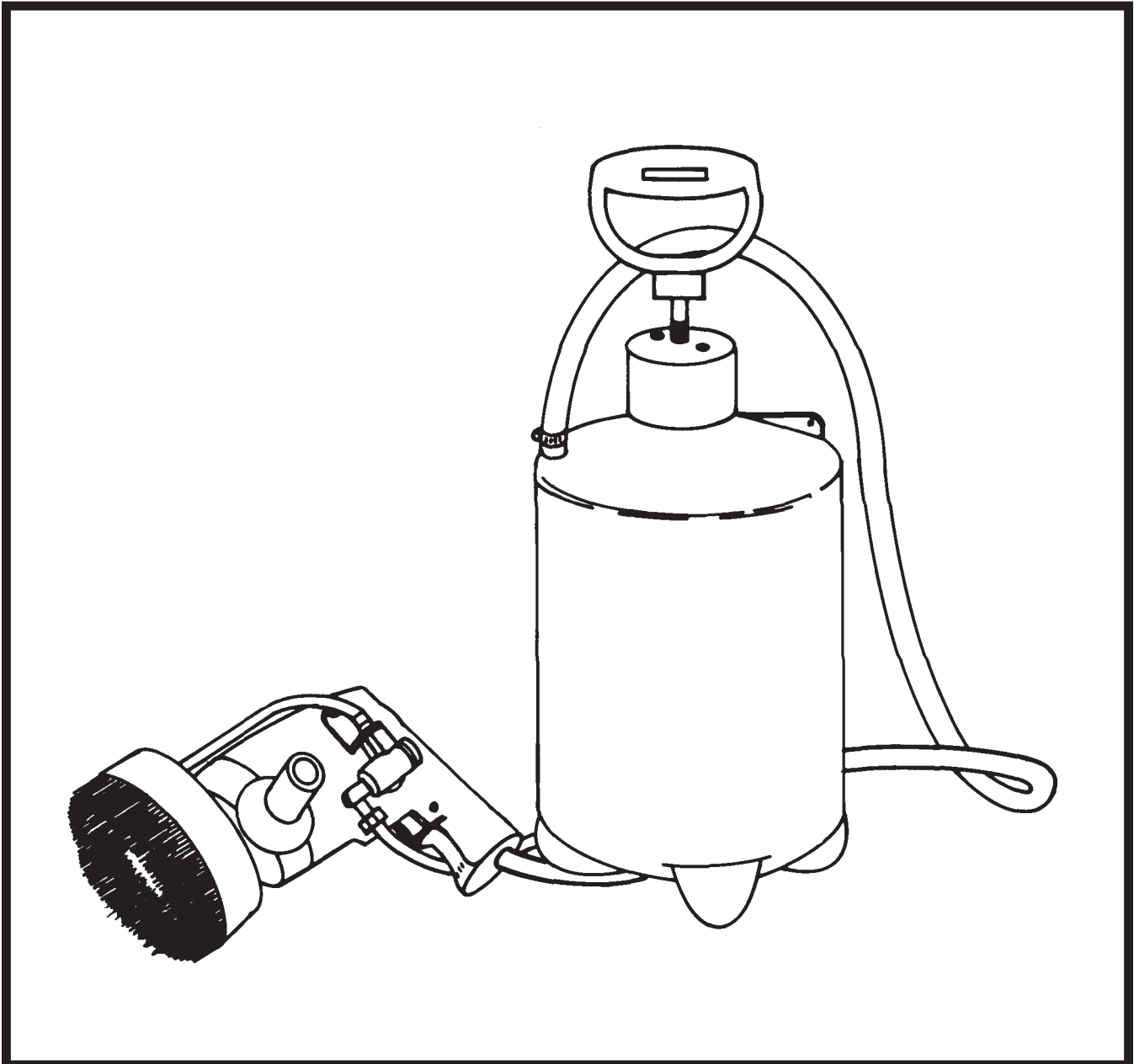
MC829850 (240V)

OPERATION

SERVICE

PARTS

CARE



Revised 4/93

Minuteman[®]

FOR COMMERCIAL USE ONLY

IMPORTANT SAFETY INSTRUCTIONS

When using an electrical appliance, basic precautions should always be followed, including the following:

READ ALL INSTRUCTIONS BEFORE USING

WARNING - To reduce the risk of fire, electric shock, or injury:

- Do not leave appliance when plugged in. Unplug from outlet when not in use and before servicing.

WARNING

To reduce the risk of electrical shock - Do not expose to rain. Store indoors.

- Do not allow to be used as a toy. Close attention is necessary when used by or near children.
- Use only as described in this manual. Use only manufacturer's recommended attachments.
- Do not use with damaged cord or plug. If appliance is not working as it should, has been dropped, damaged, left outdoors, or dropped into water, return it to a service center.
- Do not pull or carry by cord, use cord as a handle, close a door on cord, or pull cord around sharp edges or corners. Do not run appliance over cord. Keep cord away from heated surfaces.
- Do not unplug by pulling on cord. To unplug, grasp the plug, not the cord.
- Do not handle plug or appliance with wet hands.
- Do not put any object into openings. Do not use with any opening blocked; keep free of dust, lint, hair, and anything that may reduce air flow.
- Keep hair, loose clothing, fingers, and all parts of body away from openings and moving parts.
- Do not pick up anything that is burning or smoking, such as cigarettes, matches or hot ashes.
- Do not use without dustbag and/or filters in place.
- Turn off all controls before unplugging.
- Use extra care when cleaning on stairs.
- Do not use to pick up flammable or combustible liquids such as gasoline or use in areas where they may be present.
- Connect to a properly grounded outlet only. See grounding instructions.

SAVE THESE INSTRUCTIONS

OPERATING INSTRUCTIONS

INSPECTION

Carefully unpack and inspect your floor machine for shipping damage. Each unit is tested and thoroughly inspected before shipment, and any damage is the responsibility of the delivery carrier who should be notified immediately.

WARNING

- Read instruction manual before operating this piece of equipment.
- To reduce the risk of fire use only commercially available floor cleaners and waxes intended for machine application.
- To reduce the risk of electrical shock, do not expose to rain. Store indoors.
- Electrical motors and components can cause an explosion when operated near volatile materials and vapors. Do not use this machine near flammable materials such as solvents, thinners, fuels, grain dust, etc.

ELECTRICAL - 115 Volt

This machine is designed to operate on a standard 15 amp. 115 volt, 60 hz, AC circuit. Voltages below 105 volts AC or above 125 volts AC could cause serious damage to the motor.

This machine is equipped with a two-wire cord and two-prong plug which can be used in standard 120 volt AC outlets. No grounding of this machine is necessary. The housing is dielectric material. This helps protect you in case of failure of the standard functional insulation within the electrical system. Use only identical replacement parts when service is required.

ELECTRICAL - 240 Volt

This machine is designed to operate on a standard 16 amp. type L fused 230 volt, 50 hz, AC circuit. Voltages below 200 volts AC or above 250 volts AC could cause serious damage to the motor.

EXTENSION CORDS

If an extension cord is used, the wire size must be at least one size larger than the power cord on the machine and must be limited to 25 feet in length. Extension cord must be three-wire grounded.

Recommended Minimum Gauge for Cord Extension

Wire Gauge Chart A.W.G.					
Name Plate Amps.	Cord Length in Feet				
	120V 240V	25	50	100	150 300
5-6		18	16	14	12
6-8		18	16	12	10
8-10		18	14	12	10
10-12		16	14	10	8
12-14		16	12	10	8

SET UP AND MAINTENANCE

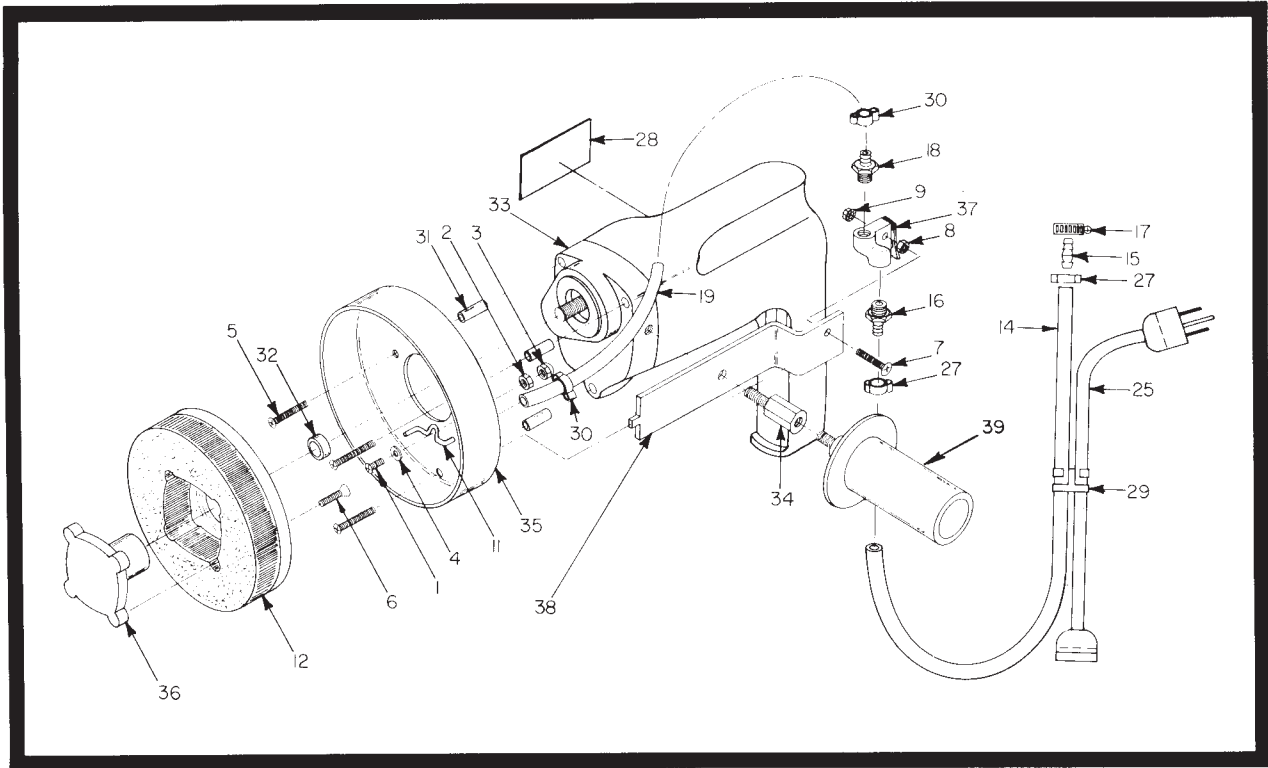
1. Unscrew pump from top of tank.
2. Mix upholstery shampoo: 1/2 pint in 1 gallon of water in the tank.
3. Screw pump back into tank and pump 10 to 12 times. This should give sufficient pressure to drain all the liquid from the tank. If not, pump 3 or 4 additional strokes so as to force all liquid from the tank.
4. At the end of each day's operation, clean and flush unit with fresh water.
5. When storing unit, leave cover off tank, so that the tank may dry out.
6. To remove brush: Use a pair of pliers and grip cross bar on brush and give a quick counter-clockwise turn, or reverse power unit switch to reverse and apply pressure to brush.

NOTE: When unit is used with brush, store with brush attached. The only time the brush need be removed is for replacement.

Power Unit Replacement Parts

833908	Carbon Brush set
833912	Switch

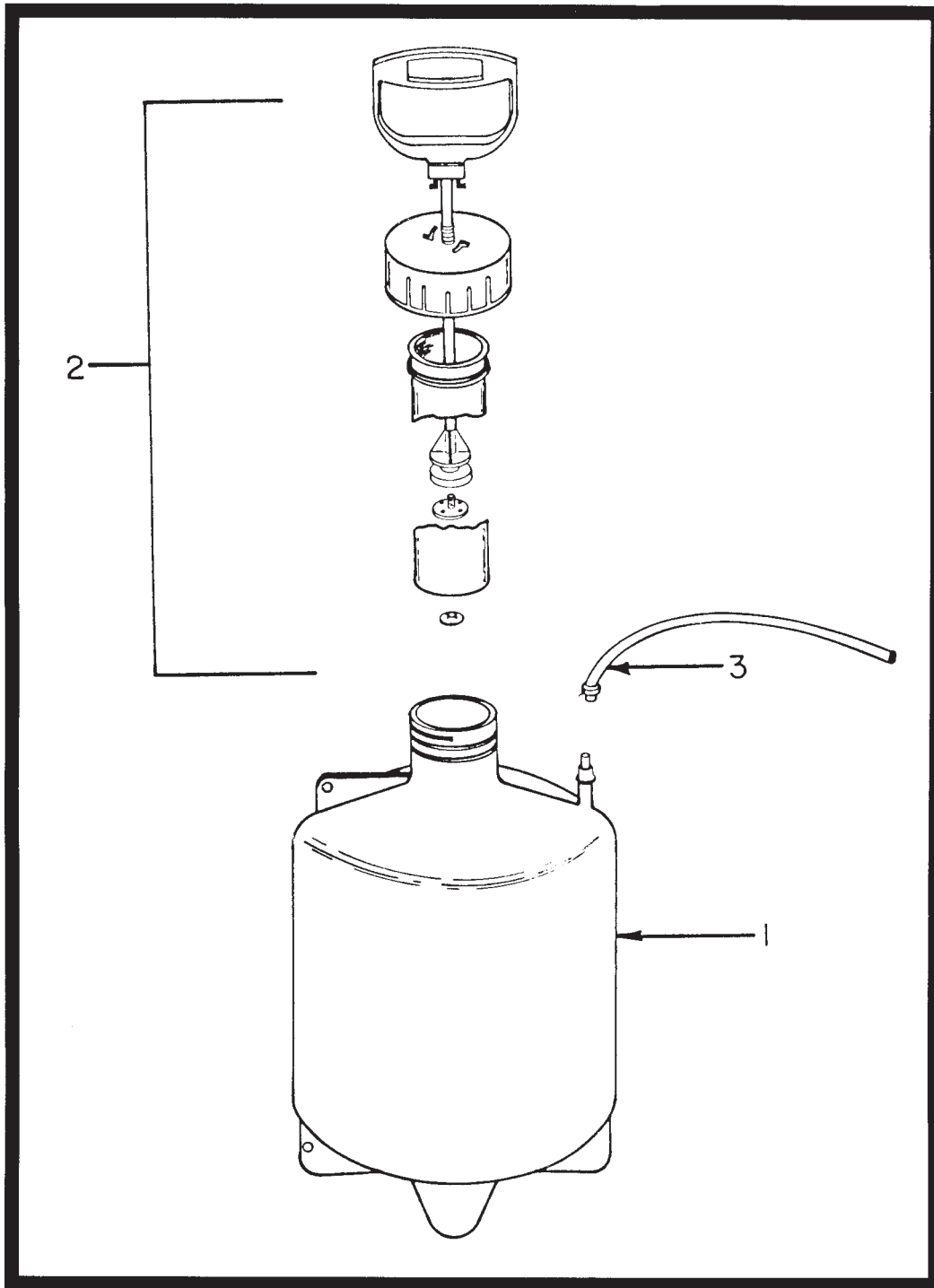
Base Assembly 829847



Parts List

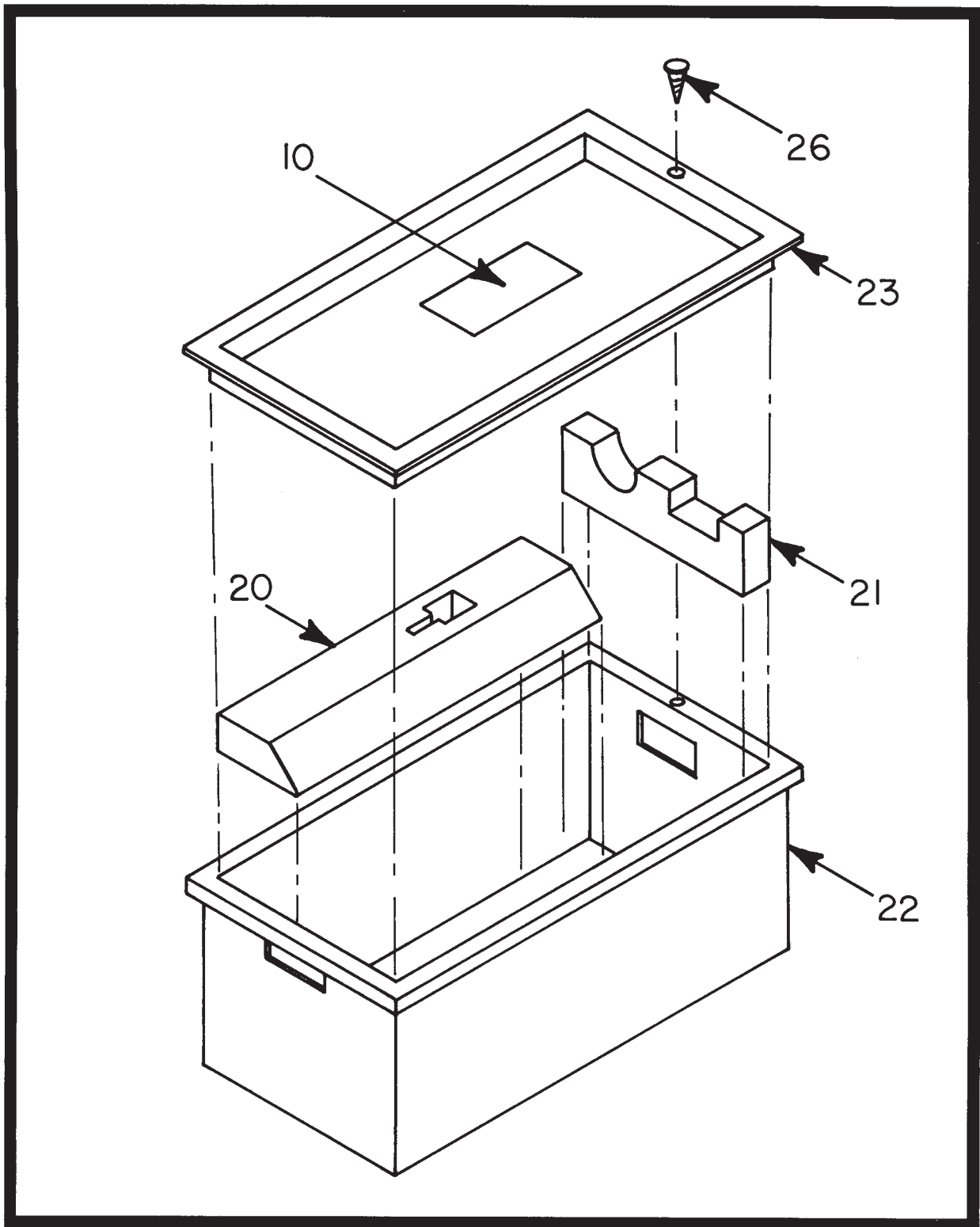
Item	Part No.	Qty.	Description	Item	Part No.	Qty.	Description
1	710153	1	SCR-MC 10-32 x .37 NI PL	25	830052	1	Cord Assy. PAS 115V Only
2	711304	1	Nut-Hex 8-32 ST PL	27	830082	2	Hose Clamp 3/8
3	711351	1	Nut-Acorn 10-32 ST NI	28	833706	1	Nameplate PAS
4	711503	1	WSR-Flat #10	29	833725	12	T-Clip Port-A-Scrub
5	712076	3	SCR-ST-B PH #10 x 2.5 PL	30	833730	2	Clamp O
6	712531	4	SCR-MC 10-24 x 1.00 SS	31	833743	3	Spacer .183 x .31 x 1.37
7	712821	1	SCR-THMS 10-24 x 1.25 ST PL	32	833744	1	Bushing .5 x .75 x .400
8	712905	1	Nut-Hex 10-24 NI PL	33	833745	1	Power Unit PAS 115V
9	712908	1	Nut-Flanged Wizz 10-24	33A	833944	1	Power Unit PAS 240V
11	806998	1	Tube Solution	34	833747	1	Hex Extension 1/4-20
12	806999	1	Brush PAS Nylon	35	833748	1	Shield, Brush PVC New
13	828860	1	Tank PAS	36	806997PLT	1	Diffuser Nickel Plated
14	828861	1	Solution Hose 12' Long	37	833764	1	Valve, Solution PAS
15	828863	1	Reducing Connector	38	833766	1	Mounting Brkt. Port-A-Scrub
16	829106	1	1/4 MPT x 1/4 Hose BARB	39	805920	1	Handle
17	833867	1	Two Ear Clamp 5/8"	***	710178	1	SCR-MC 1/4-20 x .50 STPL
18	829827	1	Connector	***	711425	1	Nut-Flanged Wizz 1/4-20
19	829848	1	Hose 7" Long				

Tank Assembly 828860



Item	Part No.	Description
1	828857	Tank
2	828858	Pump Assembly
3	828859	Hose Assembly

Carrying Case



Item	Part No.	Qty.	Description
10	715143	1	Decal
20	830011	1	Main Pad PAS
21	830012	1	Tank Pad PAS
22	830013	1	Container
23	830014	1	Lid Container
26	830010	1	Retainer

LIMITED WARRANTY

Minuteman International, Inc. warrants to the original purchaser/user that this product is free from defects in workmanship and materials under normal use and service for a period of three years from date of purchase. In addition, Minuteman International, Inc. will, at its option, honor labor warranty claims for the first 12 months from date of sale, provided such claims are submitted through and approved by factory authorized repair stations. Minuteman International, Inc. will, at its option, repair or replace without charge, except for transportation costs, parts that fail under normal use and service when operated and maintained in accordance with the applicable operation and instruction manuals.

This warranty does not apply to normal wear, or to items whose life is dependent on their use and care, such as belts, cords, switches, hoses, rubber parts, electrical motor components or adjustments. Parts not manufactured by Minuteman International, Inc. such as engines, batteries, battery chargers, hydraulic pumps, and tires are covered by and subject to the warranties and/or guarantees of their manufacturers. Please contact Minuteman International, Inc. for procedures in warranty claims against these manufacturers.

Special warning to purchaser — Use of replacement filters and/or prefilters not manufactured by Minuteman International, Inc. or its designated licensees, will void all warranties expressed or implied.

A potential health hazard exists without exact original equipment replacement.

All warranted items become the sole property of Minuteman International, Inc. or its original manufacturer, whichever the case may be.

Minuteman International, Inc. disclaims any implied warranty, including the warranty of merchantability and the warranty of fitness for a particular purpose. Minuteman International, Inc. assumes no responsibility for any special, incidental or consequential damages.

This limited warranty is applicable only in the U.S.A. and Canada, and is extended only to the original user/purchaser of this product. Customers outside the U.S.A. and Canada should contact their local distributor for export warranty policies. Minuteman International, Inc. is not responsible for costs or repairs performed by persons other than those specifically authorized by Minuteman International, Inc. This warranty does not apply to damage from transportation, alterations by unauthorized persons, misuse or abuse of the equipment, use of non-compatible chemicals, or damage to property, or loss of income due to malfunctions of the product.

If a difficulty develops with this machine, you should contact the dealer from whom it was purchased.

This warranty gives you specific legal rights, and you may have other rights which vary from state to state. Some states do not allow the exclusion or limitation of special, incidental or consequential damages, or limitations on how long an implied warranty lasts, so the above exclusions and limitations may not apply to you.

Minuteman[®]

World Headquarters
Minuteman International, Inc.
111 South Rohlwing Road
Addison, Illinois 60101

Minuteman Canada, Inc.
2210 Drew Road
Mississauga, Ontario
L5S 1B1

(630) 627-6900
FAX (630) 627-1130

(905) 673-3222
FAX (905) 673-5161

985603
Printed in U.S.A.