

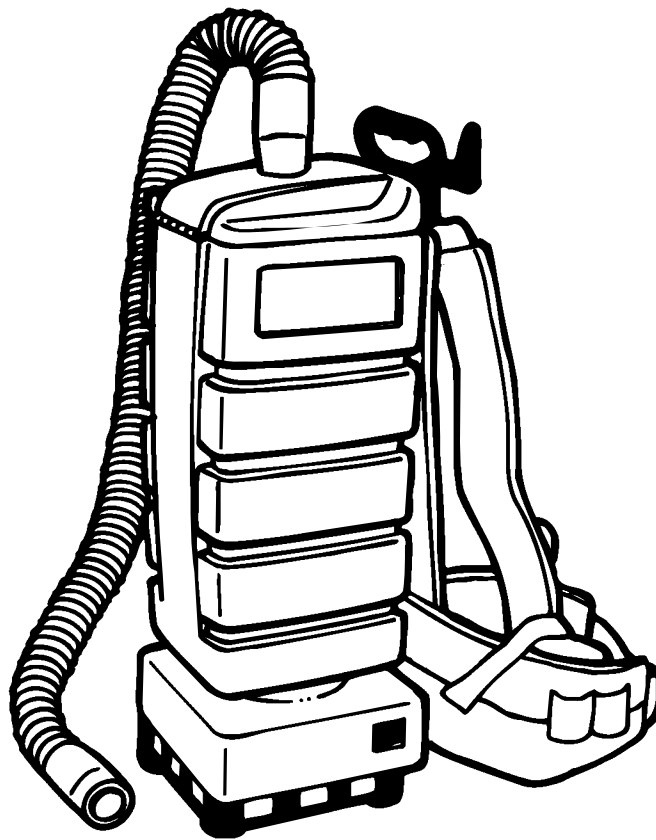


Model Part No.:  
608232 - (120V 1.7HP)  
609101 - (120V 1.15HP)

# PORTAPAC<sup>®</sup>

PORTABLE DRY VACUUM  
ASPIRADORA SECO PORTABLE  
ASPIRATEUR SEC PORTATIF

OPERATOR AND PARTS MANUAL  
MANUAL DEL OPERADOR Y REPUESTOS  
MANUEL OPÉRATEUR ET PIÉCES



# IMPORTANT SAFETY INSTRUCTIONS

When using an electrical appliance, basic precautions should always be followed, including the following:

## READ ALL INSTRUCTIONS BEFORE USING (THIS APPLIANCE)

### **WARNING - To reduce the risk of fire, explosion, electric shock, or injury:**

1. Do not leave appliance when plugged in. Unplug from outlet when not in use and before servicing.
2. Do not use outdoors or on wet surfaces.
3. Do not allow to be used as a toy. Close attention is necessary when used by or near children.
4. Use only as described in this manual. Use only manufacturer's recommended attachments.
5. Do not use with damaged cord or plug. If appliance is not working as it should, has been dropped, damaged, left outdoors, or dropped into water, return it to a service center.
6. Do not pull or carry by cord, use cord as a handle, close a door on cord, or pull cord around sharp edges or corners. Do not run appliance over cord. Keep cord away from heated surfaces.
7. Do not unplug by pulling on cord. To unplug, grasp the plug, not the cord.
8. Do not handle plug or appliance with wet hands.
9. Do not put any object into openings. Do not use with any opening blocked; keep free of dust, lint, hair, and anything that may reduce air flow.
10. Keep hair, loose clothing, fingers, and all parts of body away from openings and moving parts.
11. Do not pick up anything that is burning or smoking, such as cigarettes, matches, or hot ashes.
12. Do not use without dust bag and/or filters in place.
13. Turn off all controls before unplugging.
14. Use extra care when cleaning on stairs.
15. Do not use to pick up flammable or combustible liquids such as gasoline or use in areas where they may be present.

## SAVE THESE INSTRUCTIONS

# INSTRUCCIONES IMPORTANTES DE SEGURIDAD

Deben observarse siempre instrucciones básicas de seguridad al usar artefactos eléctricos incluyendo las siguientes:

## LEER TODAS LAS INSTRUCCIONES DE SEGURIDAD ANTES DE USAR (ESTE ARTEFACTO)

**⚠ ADVERTENCIA: Para reducir el riesgo de incendio, choque eléctrico o lesiones:**

1. No dejar el artefacto desatendido cuando está enchufado. Desenchufar del tomacorrientes cuando no se usa y antes de prestar servicio.
2. No permitir que se use como un juguete. Se requiere mucha atención cuando se usa por o cerca de los niños.
3. Usar sólo según se describe en este manual. Usar sólo los aditamentos recomendados por el fabricante.
4. No usar con un cordón o enchufe dañados. Si el artefacto no está funcionando correctamente, se ha caído, está averiado, se ha dejado al aire libre, o se ha caído en el agua, devolverlo al centro de servicio.
5. No tirar de ni arrastrar por el cordón, no usar el cordón como un mango, no cerrar la puerta sobre el cordón ni tirar del cordón sobre bordes o esquinas aguzadas. No pasar el artefacto sobre el cordón. Mantener el cordón alejado de superficies calientes.
6. No desenchufar tirando del cordón. Para desenchufar, sujetar el enchufe, no el cordón.
7. No manejar el enchufe o el artefacto con las manos mojadas.
8. No colocar objetos en las aberturas. No usar con aberturas bloqueadas, mantener libre de polvo, pelusa, cabellos y todo lo que pueda reducir el flujo de aire.
9. Mantener el cabello, ropas holgadas, dedos, y todas las partes del cuerpo alejadas de las aberturas y piezas móviles.
10. Antes de desenchufar apagar todos los controles.
11. Ser muy precavido al limpiar sobre escaleras.
12. No usar para aspirar líquidos inflamables o combustibles tales como gasolina o usar en áreas donde puedan estar presentes.
13. No aspirar nada que se esté quemando o esté humeando tal como cigarrillos, fósforos o cenizas calientes.
15. No usar al aire libre ni sobre superficies mojadas.

## MANTENER ESTE INSTRUCCIONES

# CONSIGNES DE SÉCURITÉ IMPORTANTES

Lorsque vous utilisez un appareil électrique, des précautions de base doivent être respectées, parmi lesquelles:

## LISEZ TOUTES LES INSTRUCTIONS AVANT D'UTILISER (CET APPAREIL)

**⚠ ADVERTISSEMENT: Pour réduire les risques d'incendie, l'explosion, de choc électrique ou de blessure:**

1. Ne pas laisser l'appareil sans surveillance lorsqu'il est branché. Débrancher lorsque l'appareil n'est pas utilisé et avant l'entretien.
2. Ne pas utiliser à l'extérieur et ne pas aspirer de matières humides.
3. Ne pas permettre aux enfants de jouer avec l'appareil. Une attention particulière est nécessaire lorsque l'appareil est utilisé par des enfants ou à proximité de ces derniers.
4. Utiliser que conformément à cette notice avec les accessoires recommandés par le fabricant.
5. Ne pas utiliser si le cordon ou la fiche est endommagé. Retourner l'appareil à un atelier de réparation s'il ne fonctionne pas bien, s'il est tombé ou s'il a été endommagé, oublié à l'extérieur ou immergé.
6. Ne pas tirer, soulever ou traîner l'appareil par le cordon. Ne pas utiliser le cordon comme une poignée, le coincer dans l'embrasure d'une porte ou l'appuyer contre des arêtes vives ou des coins. Ne pas faire rouler l'appareil sur le cordon. Garder le cordon à l'écart des surfaces chaudes.
7. Ne pas débrancher en tirant sur le cordon. Tirer plutôt la fiche.
8. Ne pas toucher la fiche ou l'appareil lorsque vos mains sont humides.
9. N'insérer aucun objet dans les ouvertures. Ne pas utiliser l'appareil lorsqu'une ouverture est bloquée. S'assurer que de la poussière, de la peluche, des cheveux ou d'autres matières ne réduisent pas le débit d'air.
10. Maintenir les cheveux, les vêtements amples, les doigts et toutes les parties du corps à l'écart des ouvertures et des pièces mobiles.
11. Ne pas aspirer de matières en combustion ou qui dégagent de la fumée, comme des cigarettes, des allumettes ou des dendres chaudes.
12. Ne pas utiliser l'appareil si le sac à poussière ou le filtre n'est pas en place.
13. Mettre toutes les commandes à la position ARRÊT avant de débrancher l'appareil.
14. User de prudence lors du nettoyage des escaliers.
15. Ne pas aspirer des liquides inflammables ou combustibles, comme de l'essence, et ne pas faire fonctionner dans des endroits où peuvent se trouver de tels liquides.

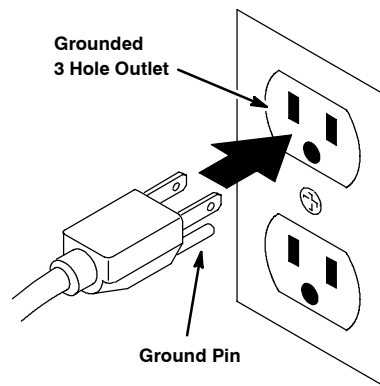
## ÉCONOMISER CES INSTRUCTIONS

# GROUNDING INSTRUCTIONS

This appliance must be grounded. If it should malfunction or breakdown, grounding provides a path of least resistance for electric current to reduce the risk of electric shock. This appliance is equipped with a cord having an equipment-grounding conductor and grounding plug. The plug must be plugged into an appropriate outlet that is properly installed and grounded in accordance with all local codes and ordinances.

**⚠ WARNING - Improper connection of the equipment-grounding conductor can result in a risk of electric shock. Check with a qualified electrician or service person if you are in doubt as to whether the outlet is properly grounded. Do not modify the plug provided with the appliance - if it will not fit the outlet, have a proper outlet installed by a qualified electrician.**

This appliance is for use on a nominal 120-volt circuit and has a grounding attachment plug that looks like the plug illustrated in sketch. Make sure that the appliance is connected to an outlet having the same configuration as the plug. No adaptor should be used with this appliance.

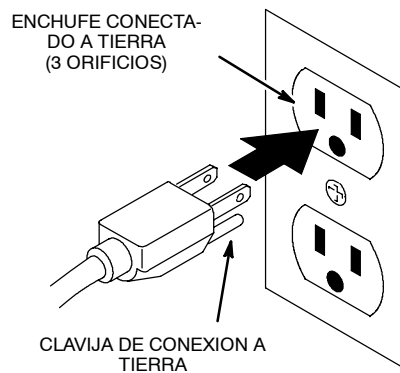


# INSTRUCCIONES DE CONEXION A TIERRA

Este artefacto debe conectarse a tierra. Si funciona mal o se descompone, la conexión a tierra provee una trayectoria de menor resistencia para la corriente eléctrica, para reducir el riesgo de choque eléctrico. Este artefacto está provisto con un cordón que tiene un conductor de conexión a tierra del equipo y un enchufe de conexión a tierra. El enchufe debe enchufarse a un tomacorrientes apropiado que esté correctamente instalado y conectado a tierra de acuerdo con todos los códigos y ordenanzas locales.

**⚠ ADVERTENCIA:** La conexión incorrecta del conductor de conexión a tierra del equipo puede resultar en un riesgo de choque eléctrico. Consultar con un electricista calificado o persona de servicio si existen dudas acerca de si el tomacorrientes está correctamente conectado a tierra. No se debe modificar el enchufe provisto con el artefacto - si no se inserta en el tomacorrientes hacer que un electricista calificado instale un tomacorrientes correcto.

Este artefacto es para usar en un circuito nominal de 120 voltios y tiene un enchufe de aditamento para conectar a tierra que se parece al enchufe ilustrado en la figura. Asegurarse que el artefacto esté conectado a un tomacorrientes con la misma configuración que el enchufe. No se debe usar un adaptador con este artefacto.

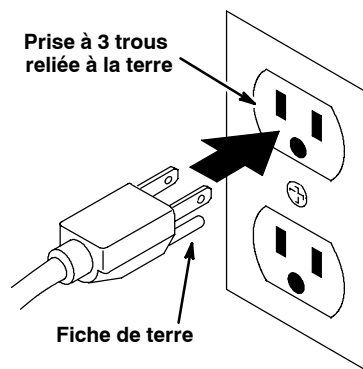


# INSTRUCTIONS VISANT LA MISE 'A LA TERRE

Cet appareil doit être mis à la terre. En cas de défaillance ou de panne éventuelles, la mise à la terre fournit au courant un chemin de moindre résistance qui réduit le risque de choc électrique. Cet appareil est pourvu d'un cordon muni d'un conducteur de terre et d'une fiche avec broche de terre. La fiche doit être branchée dans une prise appropriée correctement installée et mise à la terre conformément aux règlements et ordonnances municipaux.

**AVERTISSEMENT. Un conducteur de terre mal raccordé peut entraîner un risque de choc électrique. Consulter un électricien ou un technicien d'entretien qualifié si vous n'êtes pas certain que la prise est correctement mise à la terre. Ne pas modifier la fiche fournie avec l'appareil - si elle ne peut être insérée dans la prise, faire installer une prise adéquate par un électricien qualifié.**

Cet appareil est destiné à un circuit de 120 v et est muni d'une fiche de mise à la terre semblable à celle illustrée par le croquis. S'assurer que l'appareil est branché à une prise de courant ayant la même configuration que la fiche. Aucun adaptateur ne devrait être utilisé avec cet appareil.



# OPERATION


This manual is furnished with each new unit. It provides necessary operation and maintenance instructions and an illustrated parts list.

## Read this manual completely and understand the machine before operating or servicing it.


Use the Parts Lists to order parts. Before ordering parts or supplies, be sure to have your machine model number and serial number handy. Parts and supplies may be ordered by phone or mail from any authorized parts and service center, distributor or from any of the manufacturer's subsidiaries.

This machine will provide excellent service. However, the best results will be obtained at minimum costs if:

- The machine is operated with reasonable care.
- The machine is maintained regularly - per the machine care instructions provided.
- The machine is maintained with manufacturer supplied or equivalent parts.



**PROTECT THE ENVIRONMENT**  
Please dispose of packaging materials, old machine components such as batteries, hazardous fluids such as antifreeze and oil, in a safe environmentally way according to your local waste disposal regulations.



Always remember to recycle.

## MACHINE DATA

Please fill out at time of installation for future reference.

Model No.- \_\_\_\_\_

Install. Date - \_\_\_\_\_

Serial No.- \_\_\_\_\_

### Tennant Company

PO Box 1452

Minneapolis, MN 55440

Phone: (800) 553-8033 or (763) 513-2850

[www.nobles.com](http://www.nobles.com)

Specifications and parts are subject to change without notice.

©1999, 2000, 2001, 2003, 2007 Tennant Company. All rights reserved.

Printed in U.S.A.

## TABLE OF CONTENTS (ESPAÑOL....16) (FRANÇAIS....24)

|                                          |           |                                      |           |
|------------------------------------------|-----------|--------------------------------------|-----------|
| <b>SAFETY PRECAUTIONS</b> .....          | <b>9</b>  | <b>TROUBLE SHOOTING</b> .....        | <b>15</b> |
| GROUNDING INSTRUCTIONS .....             | 10        | <b>SPECIFICATIONS</b> .....          | <b>15</b> |
| <b>WARNING LABEL</b> .....               | <b>10</b> | <b>ELECTRICAL DIAGRAMS</b> .....     | <b>32</b> |
| <b>UNPACKING MACHINE</b> .....           | <b>11</b> | <b>PARTS LIST</b> .....              | <b>34</b> |
| <b>MACHINE COMPONENTS</b> .....          | <b>11</b> | <b>OPTIONS</b> .....                 | <b>36</b> |
| <b>OPTIONAL ACCESSORY KITS</b> .....     | <b>11</b> | AIR-DRIVEN BRUSH ATTACHMENT          |           |
| STANDARD TOOL KIT .....                  | 11        | BREAKDOWN .....                      | 36        |
| BLOWER ATTACHMENT KIT .....              | 11        | BLOWER ATTACHMENT KIT .....          | 37        |
| H.E.P.A. FILTER ATTACHMENT KIT .....     | 11        | H.E.P.A. FILTER ATTACHMENT KIT ..... | 37        |
| <b>MACHINE SETUP AND OPERATION</b> ..... | <b>12</b> | STANDARD ATTACHMENT TOOL KIT .....   | 38        |
| <b>MACHINE MAINTENANCE</b> .....         | <b>13</b> | ELECTRIC POWER BRUSH                 |           |
| <b>STORING MACHINE</b> .....             | <b>14</b> | ATTACHMENT BREAKDOWN .....           | 39        |
| <b>RECOMMENDED STOCK ITEMS</b> .....     | <b>14</b> |                                      |           |



---

## SAFETY PRECAUTIONS

---

This machine is intended for commercial use only. It is designed exclusively to pick up dirt, dry debris and dust in an indoor environment and is not constructed for any other use. The pick up of any type of fluid or dangerous/toxic materials is prohibited. Use only recommended accessories.

All operators must read, understand and practice the following safety precautions.

The following warning alert symbol and the "FOR SAFETY" heading are used throughout this manual as indicated in their description:

**⚠ WARNING:** To warn of hazards or unsafe practices which could result in severe personal injury or death.

**FOR SAFETY:** To identify actions which must be followed for safe operation of equipment.

---

Failure to follow these warnings may result in: personal injury, electrocution, electric shock, fire or explosion:

**⚠ WARNING:** Do Not Use Flammable Liquids Or Operate Machine In Or Near Flammable Liquids, Vapors Or Combustible Dusts.

This machine is not equipped with an explosion proof motor. The electric motor will spark upon start up and during operation which could cause a flash fire or explosion if machine is used in an area where flammable vapors/liquids or combustible dusts are present.

**⚠ WARNING:** Do Not Pick Up Flammable Or Toxic Materials, Burning Or Smoking Debris.

**⚠ WARNING:** Do Not Operate With Damaged Power Cord. Do Not Modify Plug. Unplug Power Cord Before Servicing Machine.

If the supply cord is damaged or broken, it must be replaced by the manufacturer or it's service agent or a similarly qualified person in order to avoid a hazard.

**⚠ WARNING:** Do Not Use Outdoors Or On Wet Surfaces. Do Not Expose to Rain. Store Indoors.

---

The following information signals potentially dangerous conditions to the operator or equipment:

### FOR SAFETY:

1. Do not operate machine:
  - In flammable or explosive areas.
  - Unless trained and authorized.
  - Unless operator manual is read and understood.
  - Unless cord is properly grounded.
  - With damaged cord or plug.
  - If not in proper operating condition.
  - On wet or damp surfaces.
  - In outdoor areas.
  - Without bag and/or filters in place.
  - With the use of an extension cord. (Fixed cord models)
  - With the use of additional extension cords (Detachable cord models). Only use manufacturer's extension cord equipped with machine which has proper capacity and is grounded.
2. Before operating machine:
  - Make sure all safety devices are in place and operate properly.
3. When using machine:
  - Do not pull machine by plug or cord.
  - Do not pull cord around sharp edges or corners.
  - Do not close doors on cord.
  - Do not unplug by pulling on cord.
  - Do not stretch cord.
  - Do not handle plug with wet hands.
  - Keep cord away from heated surfaces.
  - Do not pick up burning or smoking debris, such as cigarettes, matches or hot ashes.
  - Report machine damage or faulty operation immediately.
  - Never allow children to play on or around.
4. Before leaving or servicing machine:
  - Turn off machine.
  - Unplug cord from wall outlet.

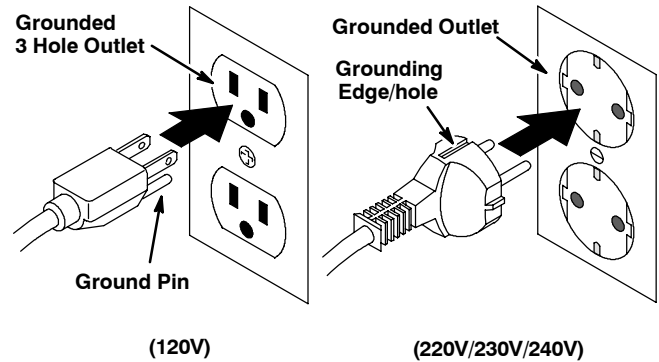
# OPERATION

## 5. When servicing machine:

- Unplug cord from wall outlet.
- Avoid moving parts. Do not wear loose jackets, shirts, or sleeves.
- Use manufacturer supplied or approved replacement parts.
- All repairs must be performed by a qualified service person.
- Do not modify the machine from it's original design.

## GROUNDING INSTRUCTIONS

Machine must be grounded. If it should malfunction or breakdown, grounding provides a path of least resistance for electrical current to reduce the risk of electrical shock. This machine is equipped with a cord having an equipment-grounding conductor and grounding plug. The plug must be plugged into an appropriate outlet that is properly installed in accordance with all local codes and ordinances. Do not remove ground pin; if missing, replace plug before use.



## WARNING LABEL

The warning label appears on the machine in the location indicated. Replace label if it becomes damaged or illegible.



## WARNING LABEL - LOCATED ON SIDE OF MACHINE.

|  | <b>⚠ WARNING</b>                                                                                                                                                                                                                                                                                                                                                                       | <b>⚠ AVERTISSEMENT</b>                                                                                                                                                                                                                                                                                                                                                                                                                                                                 | <b>⚠ ADVERTENCIA</b>                                                                                                                                                                                                                                                                                                                                                                                              |
|--|----------------------------------------------------------------------------------------------------------------------------------------------------------------------------------------------------------------------------------------------------------------------------------------------------------------------------------------------------------------------------------------|----------------------------------------------------------------------------------------------------------------------------------------------------------------------------------------------------------------------------------------------------------------------------------------------------------------------------------------------------------------------------------------------------------------------------------------------------------------------------------------|-------------------------------------------------------------------------------------------------------------------------------------------------------------------------------------------------------------------------------------------------------------------------------------------------------------------------------------------------------------------------------------------------------------------|
|  | <b>EXPLOSION, FIRE AND SHOCK HAZARD. AVOID INJURY.</b>                                                                                                                                                                                                                                                                                                                                 | <b>RISQUE D'EXPLOSION, D'INCENDIE ET DE DECHARGE. EVITEZ LES BLESSURES.</b>                                                                                                                                                                                                                                                                                                                                                                                                            | <b>PELIGRO DE EXPLOSION, FUEGO, DESCARGA EVITE LESIONES.</b>                                                                                                                                                                                                                                                                                                                                                      |
|  | <ul style="list-style-type: none"><li>• Do Not Use Near Flammable Liquids, Vapors or Combustible Dusts.</li><li>• Do Not Pick Up Flammable or Toxic Materials and Burning Debris.</li><li>• Do Not Operate With Damaged Power Cord. Do Not Modify Plug. Unplug Power Cord Before Servicing Machine.</li><li>• Do Not Use Outdoors or On Wet Surfaces. Do Not Expose to Rain.</li></ul> | <ul style="list-style-type: none"><li>• N'utilisez Pas Près de Liquides, Vapeurs ou Poussières Inflammables.</li><li>• Ne Ramassez Pas de Matériaux Inflammables ou Toxiques et de Déchets Enflammés.</li><li>• N'utilisez Pas la Machine Avec un Cordon d'Alimentation Endommagé. Ne Modifiez Pas la Prise. Débranchez le Cordon d'Alimentation Avant d'Entretenir la Machine.</li><li>• N'utilisez Pas en Extérieur ou Sur des Surfaces Humides. N'Exposez Pas à la Pluie.</li></ul> | <ul style="list-style-type: none"><li>• No Use Cerca De Líquidos Flamables, Vapores O Materiales Combustibles.</li><li>• No Recoja Materiales Flamables O Tóxicos Ni Desechos Caudentes.</li><li>• No Use Con Cable De Corriente Dañado. No Altere El Enchufe. Desconecte Cable De Corriente Antes Del Mantenimiento.</li><li>• No Use Al Aire Libre Ni En Superficies Húmedas. No Exponga A La Lluvia.</li></ul> |

## UNPACKING MACHINE

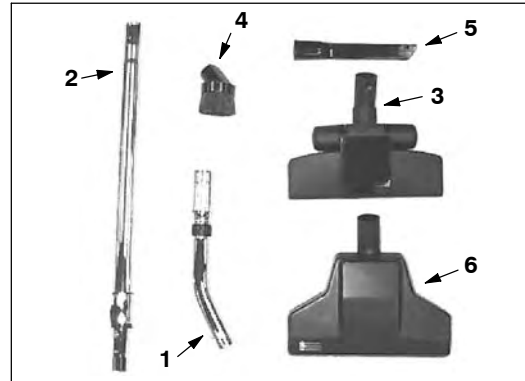
1. Carefully check carton for signs of damage. Report damages to carrier at once.
2. Check carton contents for completeness according to contents list below:
  - 1 - Machine with Harness
  - 1 - Vacuum Hose
  - 1 - Paper Bag (installed)
  - 1 - Secondary Filter Bag (installed)
  - 1 - Foam Filter (installed)
  - 1 - Power Cord Belt Clip

## MACHINE COMPONENTS



1. Power ON/OFF Switch
2. Bag Compartment Lid
3. Lid Release Button
4. Bag Compartment
5. Exhaust Filter
6. Vacuum Hose
7. Backpack Harness
8. Power Cord
9. Power Cord Belt Clip
10. Power Cord Hook
11. Carrying Handle

## OPTIONAL ACCESSORY KITS



### Standard Tool Kit #610988 (Includes 1-5)

#### Kit Contents:

1. Curved Chrome end with Swivel
2. Button Lock Ratchet Extendable Wand
3. Rug & Floor Tool
4. Dusting Brush
5. Crevice Tool
6. Air-Driven Brush Attachment #190900



### Blower Attachment Kit #190939

The blower attachment can be used to remove debris from bleacher seats, rain gutters or building entrances.



### H.E.P.A. Filter Attachment Kit #190938

The H.E.P.A. (High Efficiency Particulate Air) filter attachment filters the machine's exhaust air down to 0.3 microns at 99.97% efficiency. Clean exhaust air is particularly important in healthcare facilities.

# OPERATION

## MACHINE SETUP AND OPERATION

**FOR SAFETY: Do not operate machine unless operator manual is read and understood.**

1. Install vacuum bag. To open bag compartment lid, press button at rear of lid. Place bag down inside the secondary filter bag and close lid (Figure 1).

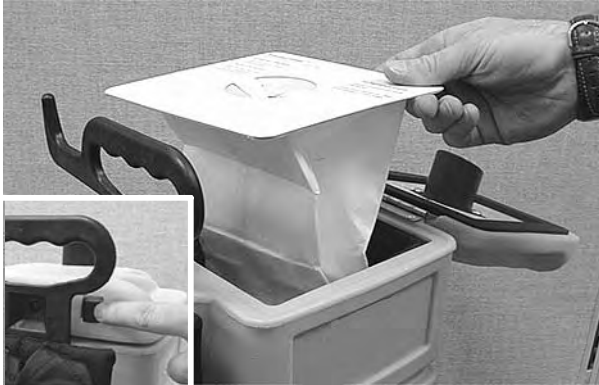


FIG. 1

**NOTE:** Do not use paper bag and optional cloth bag together.

**ATTENTION:** Never operate machine without bag and/or filters in place.

2. Attach vacuum hose to bag compartment lid (Figure 2).



FIG. 2

3. Place machine on your back as described below (Figure 3):
  - a. Fully loosen shoulder straps on harness and slip straps over your shoulders. Do not tighten straps at this time.
  - b. Fasten waist strap buckle and adjust waist strap so the machine's weight rests comfortably on your hips.
  - c. When waist strap is correctly adjusted, tighten shoulder straps lightly and fasten shoulder strap buckle. Do not restrict arm movement by overtightening shoulder straps.



FIG. 3

4. When all straps are adjusted for comfort, connect belt clip to power cord and fasten clip to harness as shown (Figure 4).



FIG. 4

5. Attach optional attachment tool to vacuum hose (See *Optional Accessory Kits*).
6. Plug power cord into a grounded electrical outlet (Figure 5).

**FOR SAFETY: Do not operate machine unless cord is properly grounded.**

**⚠ WARNING: Do Not Operate With Damaged Power Cord. Do Not Modify Plug. Unplug Power Cord Before Servicing Machine**

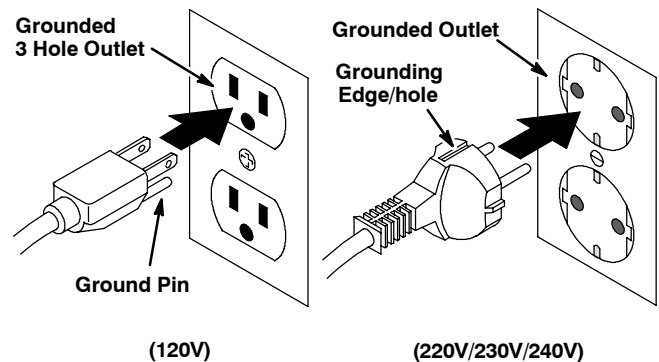


FIG. 5

- Turn power switch on and begin cleaning (Figure 6).

**FOR SAFETY: When using machine, do not pull cord around sharp edges or corners. Do not stretch cord. Do not close doors on cord. Do not unplug by pulling on cord. Keep cord away from heated surfaces.**

**⚠ WARNING: Do Not Pick Up Flammable Or Toxic Materials, Burning Or Smoking Debris.**

**⚠ WARNING: Do Not Use Flammable Liquids Or Operate Machine In Or Near Flammable Liquids, Vapors Or Combustible Dusts.**

**This machine is not equipped with an explosion proof motor. The electric motor will spark upon start up and during operation which could cause a flash fire or explosion if machine is used in an area where flammable vapors/liquids or combustible dusts are present.**



FIG. 6

**NOTE:** The vacuum motor is thermally protected. When machine senses excessive motor overload, the motor will automatically shut off and reset after motor cools. Should this happen while operating, turn off power switch, unplug power cord and inspect vacuum hose and filters for obstructions.

- Replace vacuum bag when two-thirds full (See "BAG FULL LINE" printed on paper bag). Be certain to turn power switch off and to unplug power cord from wall outlet before replacing bag.

When using optional cloth bag, be certain to shake out excess dust and to inspect bag for tears.

- Perform Daily Maintenance procedures after operating machine.

## MACHINE MAINTENANCE

To keep machine in good working condition, simply follow machine's recommended maintenance procedures.

**FOR SAFETY: Before leaving or servicing machine, unplug cord from wall outlet.**

- Replace vacuum bag after each use or as needed. Do not reuse paper bags. Inspect cloth bag for tears or holes. Replace if damaged.
- Inspect power cord and cord grip for damage before each use, replace if damaged. Wrap cord neatly around cord hook after each use.

**⚠ WARNING: Do Not Operate With Damaged Power Cord. Do Not Modify Plug. Unplug Power Cord Before Servicing Machine**

**If the supply cord is damaged or broken, it must be replaced by the manufacturer or it's service agent or a similarly qualified person in order to avoid a hazard.**

- Remove and clean secondary filter bag after each month of use. Replace filter when worn (Figure 7).



FIG. 7

# OPERATION

4. Remove foam filter and tap off dust after each month of use. Filter is located below the secondary filter. Replace filter when worn (Figure 8).



FIG. 8

**ATTENTION: Clogged filters or vacuum hose will cause vacuum motor to overheat and shut down on thermal overload.**

5. Inspect vacuum hose for air leaks, replace if damaged.
6. Inspect lid gasket for leakage, replace if worn.
7. Clean machine with an all purpose cleaner and damp cloth as needed.
8. Every 250 hours of operation, check vacuum motor carbon brushes for wear. Replace brushes when worn to a length of 10mm (0.38 in) or less. Contact Service Center for carbon brush inspection.

**FOR SAFETY: When servicing machine, all repairs must be performed by a qualified service person.**

## STORING MACHINE

Prior to storing machine, wrap power cord around cord hook, clean all filters and install a new vacuum bag. Store machine in a dry area.

**⚠ WARNING: Do Not Use Outdoors Or On Wet Surfaces. Do Not Expose to Rain. Store Indoors.**

## RECOMMENDED STOCK ITEMS

Refer to Parts List section for recommended stock items. Stock Items are clearly identified with a bullet preceding the parts description. See example below:

| Ref. | Part No. | Description      | Qty. |
|------|----------|------------------|------|
| 1    | 701105   | ASM., STAND PIPE | 1    |
| 2    | 180612   | ● FLOAT, SHUTOFF | 1    |
| 3    | 230197   | NIPPLE           | 1    |
| 4    | 101714   | ● GASKET         | 1    |
| 5    | 210240   | NUT, FLANGED     | 1    |

**TROUBLE SHOOTING**

| <b>PROBLEM</b>                 | <b>CAUSE</b>                                     | <b>SOLUTION</b>                                                                   |
|--------------------------------|--------------------------------------------------|-----------------------------------------------------------------------------------|
| Vacuum motor will not operate. | Power switch in off position.                    | Turn on machine.                                                                  |
|                                | Faulty power cord.                               | Contact Service Center.                                                           |
|                                | Tripped building circuit breaker.                | Reset circuit breaker.                                                            |
|                                | Overheated motor.                                | Let motor cool, determine cause.                                                  |
|                                | Faulty power switch.                             | Contact Service Center.                                                           |
|                                | Loose wiring.                                    | Contact Service Center.                                                           |
| Poor vacuum suction.           | Loose vacuum hose or attachment tool connection. | Tighten connections.                                                              |
|                                | Clogged vacuum hose or attachment tool.          | Remove clogged debris.                                                            |
|                                | Full vacuum bag.                                 | Empty vacuum bag.                                                                 |
|                                | Air leak in hose.                                | Replace hose.                                                                     |
|                                | Clogged secondary filter or foam filter.         | Remove filters and clean. <i>Do not operate machine without filters in place.</i> |
|                                | Air leak at bag compartment lid.                 | Replace lid gasket.                                                               |
|                                | Loose bag compartment lid.                       | Close lid tightly.                                                                |

**SPECIFICATIONS**

| <b>MODEL</b>                                        | <b>PORTAPAC</b>                                  |
|-----------------------------------------------------|--------------------------------------------------|
| LENGTH                                              | 210mm (8.25 in)                                  |
| WIDTH                                               | 190mm (7.5 in)                                   |
| HEIGHT                                              | 600mm (2 ft)                                     |
| WEIGHT                                              | 5.5 Kg (12 lbs)                                  |
| VACUUM MOTOR                                        | 120V, 1.7hp, 2-stage, 10A, 1200W (608232/609228) |
|                                                     | 120V, 1.15hp, 2-stage, 7.5A, 900W (609101)       |
| VACUUM BAG CAPACITY                                 | 4.75 L (4.3 qts)                                 |
| POWER CORD LENGTH                                   | 15m (50 ft), Gauge-16/3 (120V) (608232/609228)   |
|                                                     | 15m (50 ft), Gauge-18/3 (120V) (609101)          |
| DECIBEL RATING AT OPERATOR'S EAR, INDOORS ON CARPET | <75dB(A)                                         |


# OPERACIÓN

Este manual acompaña a todos los modelos estándar nuevos. En él se indican las instrucciones necesarias para la utilización y el mantenimiento de la máquina.

**Lea el manual entero para comprender el funcionamiento de la máquina antes de utilizarla o revisarla.**


Esta máquina le proporcionará un servicio excelente. Sin embargo, obtendrá los mejores resultados al coste mínimo si:

- Utiliza la máquina con un cuidado razonable.
- Revisa la máquina periódicamente - según las instrucciones de mantenimiento adjuntas.
- Realiza el mantenimiento de la máquina con piezas repuesto del fabricante suministradas o equivalentes.



**PROTECCIÓN DEL MEDIO AMBIENTE**

Deseche el material de embalaje, los componentes usados de la máquina como las baterías y los líquidos peligrosos como el anticongelante y el aceite, de forma segura para el medio ambiente, de acuerdo con las normativas o disposiciones locales.



No olvide reciclar.

## DATOS DE LA MÁQUINA

Por favor complete al momento de la instalación para referencia futura.

No. de Modelo- \_\_\_\_\_

Fecha de instalación - \_\_\_\_\_

No. de Serie- \_\_\_\_\_

## ÍNDICE

|                                             |           |                                   |           |
|---------------------------------------------|-----------|-----------------------------------|-----------|
| <b>MEDIDAS DE SEGURIDAD</b> .....           | <b>17</b> | <b>ESPECIFICACIONES</b> .....     | <b>23</b> |
| INSTRUCCIONES DE CONEXION                   |           | <b>DIAGRAMAS ELECTRICAS</b> ..... | <b>32</b> |
| A TIERRA .....                              | 18        | <b>LISTA DE PIEZAS</b> .....      | <b>34</b> |
| <b>ETIQUETA DE ADVERTENCIA</b> .....        | <b>18</b> | <b>OPIONES</b> .....              | <b>36</b> |
| <b>DESEMBALAJE DE LA MAQUINA</b> .....      | <b>19</b> | TURBO CEPILLO .....               | 36        |
| <b>COMPONENTES DE LA MÁQUINA</b> .....      | <b>19</b> | EQUIPO DE ACCESORIOS DE           |           |
| <b>EQUIPOS DE ACCESORIOS OPCIONALES</b> ... | <b>19</b> | SOPLADO .....                     | 37        |
| CAJA DE HERRAMIENTAS ESTÁNDAR ...           | 19        | EQUIPO DE ACCESORIO FILTRO        |           |
| EQUIPO DE ACCESORIOS DE SOPLADO .           | 19        | H.E.P.A. ....                     | 37        |
| EQUIPO DE ACCESORIO FILTRO H.E.P.A .        | 20        | CAJA DE HERRAMIENTAS .....        | 38        |
| <b>INSTALACIÓN Y FUNCIONAMIENTO</b>         |           | ASSESORIO DE CEPILLO PARA         |           |
| <b>DE LA MÁQUINA</b> .....                  | <b>20</b> | CORRIENTE ELECTRICO .....         | 39        |
| <b>MANTENIMIENTO DE LA MÁQUINA</b> .....    | <b>21</b> |                                   |           |
| ALMACENAMIENTO DE LA MÁQUINA ....           | 22        |                                   |           |
| <b>ARTICULOS RECOMENDADOS PARA</b>          |           |                                   |           |
| <b>MANTENER EN EXISTENCIA</b> .....         | <b>22</b> |                                   |           |
| <b>LOCALIZACIÓN DE AVERÍAS</b> .....        | <b>23</b> |                                   |           |



---

## MEDIDAS DE SEGURIDAD

---

Esta máquina está destinada solamente al uso comercial. Está diseñada exclusivamente para recoger suciedad, escombros secos y polvo de interiores y no está indicada para ningún otro uso. La recogida de cualquier líquido o polvo peligroso/tóxico está prohibida. Utilice solamente los accesorios recomendados.

Todos los operadores deben leer, entender y practicar las precauciones siguientes de seguridad.

El siguiente símbolo de alerta de advertencia y el encabezamiento de "PARA SEGURIDAD" se usan en este manual como se indica en su descripción:

**⚠ ADVERTENCIA:** Para advertir de riesgos o prácticas inseguras que podrían resultar en lesiones personales graves o la muerte.

**PARA SEGURIDAD:** Para identificar acciones que deben seguirse para el funcionamiento seguro del equipo.

---

El no seguir estas advertencias puede resultar en: lesiones personales, electrocución, choque eléctrico, fuego o explosión.

**⚠ ADVERTENCIA:** No opere la máquina en o cerca de líquidos, vapores inflamables o polvos combustibles.

Esta máquina no está equipada con motores a prueba de explosión. Los motores eléctricos emiten chispas al arrancar y durante el funcionamiento lo que podría causar un fuego explosivo o explosión si la máquina se usa en una área donde están presentes vapores/líquidos inflamables o polvos combustibles.

**⚠ ADVERTENCIA:** No recoja materiales tóxicos o inflamables ni residuos humeantes o ardiendo.

**⚠ ADVERTENCIA:** No opere con un cordón eléctrico dañado. No modifique el enchufe. Desenchufe el cordón eléctrico antes de reparar la máquina.

Si el cordón del suministro se daña o se rompe, debe ser reemplazado por el fabricante o su agente de servicio o una persona similarmente calificada para evitar un riesgo.

**⚠ ADVERTENCIA:** No utilice la máquina al aire libre ni en superficies mojadas. No exponga la máquina a la lluvia. Almacén bajo techo.

---

La información siguiente señala condiciones potencialmente peligrosas para el operador o el equipo:

**PARA SEGURIDAD:**

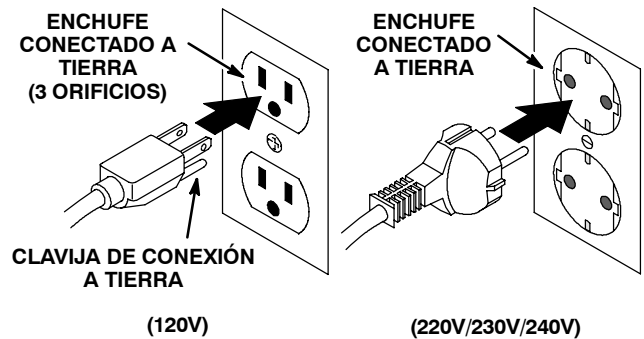
1. No opere la máquina:
  - En zonas inflamables o donde puedan producirse explosiones.
  - A menos que está capacitado y autorizado.
  - A menos que se haya leído y entendido el manual del funcionamiento.
  - A menos que el cordón se conecte apropiadamente a tierra.
  - Con un cordón o enchufe dañados.
  - Si no está en condición de ejecutar una operación apropiada.
  - Sobre superficies mojadas o húmedas.
  - En áreas al aire libre.
  - Sin haber colocado los filtros y/o la bolsa.
  - Sin bolsa del polvo en lugar (Modelos fijos de la cuerda).
  - Con cables alargadores adicionales (Modelos desmontables de la cuerda). Utilice únicamente los alargadores proporcionados por el fabricante junto a la máquina para asegurarse de que presentan la capacidad y toma de tierra adecuadas.
2. Antes de arrancar la máquina:
  - Asegúrese que todos los dispositivos de seguridad están en su lugar y operando apropiadamente.
3. Al usar máquina:
  - No tire de la máquina por el enchufe o el cordón.
  - Evite pasar el cable por bordes agudos o esquinas.
  - No cierra las puertas sobre el cordón.
  - No desenchufe tirando del cordón.
  - No estire el cordón.
  - No maneje el enchufe con las manos húmedas.
  - Mantenga el cordón lejos de las superficies calientes.
  - No recoja restos ardiendo o humeantes como cigarrillos, cerillas o cenizas calientes.

# OPERACIÓN

- Informe inmediatamente acerca de daños o un funcionamiento defectuoso.
  - Nunca permita que los niños jueguen en o alrededor de la máquina.
4. Antes de salir de o reparar la máquina:
- Apague la máquina.
  - Desenchufe cordón del tomacorriente de la pared.
5. Al prestar servicio a la máquina:
- Desenchufe cordón del tomacorriente de la pared.
  - Evite las piezas móviles. No use chaquetas, camisas, o mangas, holgadas.
  - Use piezas de repuesto provistas o aprobadas por el fabricante.
  - Todas las reparaciones deben ser realizadas por una persona de servicio calificada.
  - No modifique la máquina de su diseño original.

## INSTRUCCIONES DE CONEXION A TIERRA

La máquina debe conectarse a tierra. En caso de mal funcionamiento o desajuste, la conexión a tierra provee un recorrido de menor resistencia para la corriente eléctrica para reducir el riesgo de choque eléctrico. Esta máquina está equipada con un cordón con un conductor de conexión a tierra del equipo y enchufe de conexión a tierra. El enchufe debe enchufarse en un tomacorrientes apropiado correctamente instalado de acuerdo con todos los códigos y ordenanzas locales. No extraer la clavija de conexión a tierra; si falta, reemplazar el enchufe antes de usar.



## ETIQUETA DE ADVERTENCIA

La adhesivo de seguridad aparece en la máquina en la localización indicada. Sustituya el adhesivo si se ha desprendido, o está deteriorado o son ilegible.



### ETIQUETA DE ADVERTENCIA - Localizado en el lado de la máquina.

| ⚠️ WARNING                                                                                                                                                                                                                                                                                                                                                                                                                                 | ⚠️ AVERTISSEMENT                                                                                                                                                                                                                                                                                                                                                                                                                                                                                                                                                | ⚠️ ADVERTENCIA                                                                                                                                                                                                                                                                                                                                                                                                                                                                                     |
|--------------------------------------------------------------------------------------------------------------------------------------------------------------------------------------------------------------------------------------------------------------------------------------------------------------------------------------------------------------------------------------------------------------------------------------------|-----------------------------------------------------------------------------------------------------------------------------------------------------------------------------------------------------------------------------------------------------------------------------------------------------------------------------------------------------------------------------------------------------------------------------------------------------------------------------------------------------------------------------------------------------------------|----------------------------------------------------------------------------------------------------------------------------------------------------------------------------------------------------------------------------------------------------------------------------------------------------------------------------------------------------------------------------------------------------------------------------------------------------------------------------------------------------|
| <br>EXPLOSION, FIRE AND SHOCK HAZARD. AVOID INJURY. <ul style="list-style-type: none"><li>• Do Not Use Near Flammable Liquids, Vapors or Combustible Dusts.</li><li>• Do Not Pick Up Flammable or Toxic Materials and Burning Debris.</li><li>• Do Not Operate With Damaged Power Cord. Do Not Modify Plug. Unplug Power Cord Before Servicing Machine.</li><li>• Do Not Use Outdoors or On Wet Surfaces. Do Not Expose to Rain.</li></ul> | <br>RISQUE D'EXPLOSION, D'INCENDIE ET DE DÉCHARGE. ÉVITEZ LES BLESSURES. <ul style="list-style-type: none"><li>• N'utilisez Pas Près de Liquides, Vapeurs ou Poussières Inflammables.</li><li>• Ne Ramassez Pas de Matériaux Inflammables ou Toxiques et de Déchets Enflammés.</li><li>• N'utilisez Pas la Machine Avec un Cordon d'Alimentation Endommagé. Ne Modifiez Pas la Prise. Débranchez le Cordon d'Alimentation Avant d'Entretener la Machine.</li><li>• N'utilisez Pas en Extérieur ou Sur des Surfaces Humides. N'Exposez Pas à la Pluie.</li></ul> | <br>PELIGRO DE EXPLOSIÓN, FUEGO, DESCARGA EVITE LESIONES. <ul style="list-style-type: none"><li>• No Use Cerca De Líquidos Flamables, Vapores O Materiales Combustibles. Ni Desechos Caudentes.</li><li>• No Recoja Materiales Flamables O Tóxicos Ni Desechos Caudentes.</li><li>• No Use Con Cable De Corriente Dañado. No Altere El Enchufe. Desconecte Cable De Corriente Antes Del Mantenimiento.</li><li>• No Use Al Aire Libre Ni En Superficies Húmedas. No Exponga A La Lluvia.</li></ul> |

## DESEMBALAJE DE LA MAQUINA

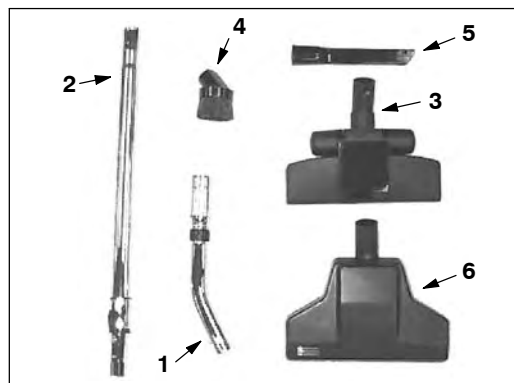
1. Compruebe cuidadosamente si la caja de cartón está deteriorada. En caso de encontrar cualquier desperfecto, informe inmediatamente al transportista.
2. Compruebe que todos los contenidos que figuran en la lista siguiente se encuentren dentro de la caja de cartón:
  - 1 - Máquina con correas
  - 1 - Tubo de aspiración de la escobilla de goma
  - 1 - Bolsa de papel (instalado)
  - 1 - Bolsa de filtro secundario (instalado)
  - 1 - Filtro de espuma (instalado)
  - 1 - Clip del cable eléctrico al cinturón

## COMPONENTES DE LA MÁQUINA



1. Interruptor de encendido/apagado (ON/OFF)
2. Tapa del Compartimento de la bolsa
3. Botón de apertura de la tapa
4. Compartimento de la bolsa
5. Filtro de salida
6. Tubo de aspiración
7. Correas de Mochila
8. Cable eléctrico
9. Clip del cable eléctrico al cinturón
10. Gancho del Cable Eléctrico
11. Asa de transporte

## EQUIPOS DE ACCESORIOS OPCIONALES



**Caja de Herramientas Estándar #610988**  
(Incluye números 1-5)

### Contenidos de los Equipos:

1. Terminal Cromado Curvo Articulado
2. Tubo Extensible con Botón de Bloqueo
3. Accesorio para Alfombra y Suelo
4. Cepillo para Desempolvar
5. Accesorio para Rendijas
6. Cepillo Movido por Aire Accesorio #190900



### Equipo de Accesorios de Soplado #190939

Se puede utilizar el accesorio de Soplado para quitar residuos de asientos, canalones o las entradas de los edificios.



## Equipo de Accesorio Filtro H.E.P.A #190938

El accesorio filtro H.E.P.A. (Alta Eficiencia de Partículas de Aire) filtra el aire de salida de la máquina hasta 0,3 micras con una eficacia del 99.97%. Un aire de salida limpio es especialmente importante en los servicios de sanidad.

## INSTALACIÓN Y FUNCIONAMIENTO DE LA MÁQUINA

**PARA SEGURIDAD: No utilice la máquina salvo que haya leído y comprendido el manual del operario.**

1. Instale la bolsa de control de polvo. Para abrir la tapa del compartimento de la bolsa de polvo, apriete el botón en la parte trasera de la tapa. Coloque la bolsa dentro de la bolsa del filtro secundario y cierre la tapa (Figura 1).



FIG. 1.

**NOTA:** No utilice la bolsa de papel junto con la bolsa de tela opcional.

**ATENCIÓN:** Sin haber colocado los filtros y/o la bolsa.

2. Sujete el tubo de aspiración a la tapa del compartimento de la bolsa (Figura 2).



FIG. 2.

3. Colóquese la máquina en la espalda según la descripción siguiente (Figura 3):
  - a. Afloje por completo las correas de los hombros y deslícelas por encima de ellos. No apriete las correas en este momento.
  - b. Abroche y ajuste el cinturón para que el peso de la máquina descansa cómodamente sobre su cadera.
  - c. Una vez ajustado correctamente el cinturón, apriete suavemente las correas de los hombros y abroche la hebilla de las correas. No apriete demasiado las correas de los hombros, pues restringe el movimiento de los brazos.



FIG. 3.

4. Cuando se hayan ajustado todas las correas cómodamente, conecte el clip del cable eléctrico a éste y sujételo al cinturón como se ve (Figura 4).



FIG. 4.

5. Sujete la herramienta opcional al tubo de aspiración (Ver Equipos de Accesorios Opcionales).
6. Enchufe el cable en una toma de la pared con conexión de tierra (Figura 5).

**PARA SEGURIDAD:** No utilice la máquina salvo que el cable eléctrico esté conectado a una toma de tierra que funcione correctamente.

**⚠ ADVERTENCIA:** No utilice la máquina si el cable eléctrico está deteriorado. No modifique el enchufe. Desconecte el cable eléctrico antes de revisar la máquina.

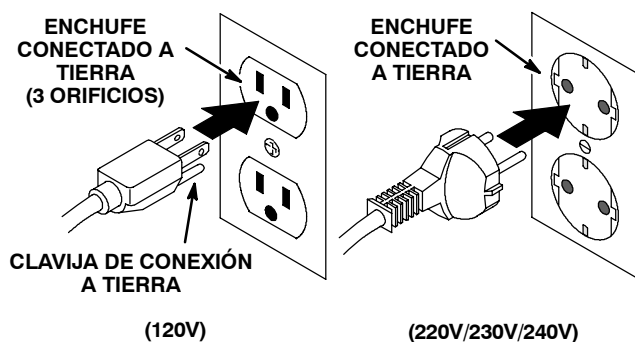


FIG. 5.

7. Encienda el interruptor y empiece la limpieza (Figura 6).

**PARA SEGURIDAD:** Evite pasar el cable por bordes agudos o esquinas cuando utilice la máquina. No estire demasiado el cable. Tenga cuidado de no pillar el cable eléctrico al cerrar puertas. No desenchufe la máquina tirando del cable. Mantenga el cable alejado de superficies calientes.

**⚠ ADVERTENCIA:** No recoja materiales tóxicos o inflamables ni residuos humeantes o ardiendo.

**⚠ ADVERTENCIA:** No opere la máquina en o cerca de líquidos, vapores inflamables o polvos combustibles.

Esta máquina no está equipada con motores a prueba de explosión. Los motores eléctricos emiten chispas al arrancar y durante el funcionamiento lo que podría causar un fuego explosivo o explosión si la máquina se usa en una área donde están presentes vapores/líquidos inflamables o polvos combustibles.



FIG. 6.

**NOTA:** El motor del aspirador está protegido térmicamente. Cuando la máquina detecta una sobrecarga del motor, se parará automáticamente y volverá a funcionar cuando el motor se haya enfriado. Si esto ocurre durante el funcionamiento, apague el interruptor, desconecte el cable eléctrico del enchufe de la pared e inspeccione el tubo de aspiración y los filtros por obstrucciones.

8. Reemplace la bolsa de control de polvo cuando esté 2/3 lleno (Ver "LINEA DE BOLSA LLENA" impreso en la bolsa de papel). Asegúrese de apagar el interruptor y de desconectar el cable eléctrico del enchufe de la pared antes de reemplazar la bolsa.

Cuando se emplea la bolsa de tela opcional, asegúrese de sacudir la bolsa para librarla de polvo excesivo y de inspeccionar la bolsa por posibles rasguños.

9. Realice procedimientos de Mantenimiento Diario después de utilizar la máquina.

## MANTENIMIENTO DE LA MÁQUINA

Para mantener la máquina en buenas condiciones de funcionamiento bastará realizar las operaciones de mantenimiento diarias, semanales o mensuales de la máquina.

**PARA SEGURIDAD:** Antes de dejar o prestar servicio a la máquina, desenchufar el cordón del tomacorrientes de la pared.

1. Reemplace la bolsa de polvo después de cada uso o según las necesidades. Inspeccione la bolsa de tela por rasguños o agujeros. Sustituirla si está dañada. Nunca lave la bolsa de tela.
2. Inspeccione el cable eléctrico y el sujetador por posibles daños antes de cada utilización y reemplácelos si están dañados. Envuelva el cable alrededor del gancho después de cada utilización.

# OPERACIÓN

**⚠ ADVERTENCIA:** No opere con un cordón eléctrico dañado. No modifique el enchufe. Desenchufe el cordón eléctrico antes de reparar la máquina.

Si el cordón del suministro se daña o se rompe, debe ser reemplazado por el fabricante o su agente de servicio o una persona similarmente calificada para evitar un riesgo.

3. Retire y limpie la bolsa de filtro secundario después de cada mes de uso. Reemplace el filtro cuando esté gastado (Figura 7).



FIG. 7.

4. Retire el filtro de espuma y sacúdalo para quitar el polvo después de cada mes de uso. El filtro está situado debajo del filtro secundario. Reemplace el filtro cuando esté gastado (Figura 8).



FIG. 8.

**ATENCIÓN:** Los filtros o la manguera de vacío estorbados causarán el motor de vacío al sobrecalentamiento y cerrarán en sobrecarga termal.

5. Inspeccione el tubo de aspiración para comprobar posibles fugas de aire, reemplácelo si está dañado.
6. Inspeccione la junta de la tapa para comprobar posibles fugas, reemplácela si está gastada.
7. Limpie la máquina con un producto de limpieza general y un trapo húmedo según necesidades.
8. Cada 250 horas de servicio, controle el desgaste de las escobillas de carbono del motor. Sustituya las escobillas cuando la longitud de sus cerdas sea igual o inferior a 10mm (0.38 in) debido al desgaste. Póngase en contacto con el Servicio Técnico para la inspección de las escobillas de carbono.

**PARA SEGURIDAD:** Al prestar servicio a la máquina, todas las reparaciones deben realizarse por una persona calificada de servicio.

## ALMACENAMIENTO DE LA MÁQUINA

Antes de almacenar la máquina, envuelva el cable eléctrico alrededor del gancho, limpie todos los filtros e instale una nueva bolsa. Guarde la máquina en una zona limpia y seca.

**⚠ ADVERTENCIA:** No use al aire libre o en superficies húmedas. No exponga a la lluvia. Almacene bajo techo.

## ARTÍCULOS RECOMENDADOS PARA MANTENER EN EXISTENCIA

Refiérase a la sección de Lista de Piezas para los artículos recomendados en existencia. Los artículos en existencia están claramente identificados con una bola precediendo a la descripción de las piezas. Vea el ejemplo de abajo:

| Ref. | Part No. | Description     | Qty. |
|------|----------|-----------------|------|
| 1    | 201105   | ASB.,STANDPIPE  | 1    |
| 2    | 160612   | ●FLOAT, SHUTOFF | 1    |
| 3    | 230187   | ●NIPPLE         | 1    |
| 4    | 101714   | ●GASKET         | 1    |
| 5    | 210240   | ●NUT, FLANGED   | 1    |

**LOCALIZACIÓN DE AVERÍAS**

| <b>PROBLEMA</b>                  | <b>CAUSA</b>                                                | <b>SOLUCIÓN</b>                                                                     |
|----------------------------------|-------------------------------------------------------------|-------------------------------------------------------------------------------------|
| Motor de aspiración no funciona. | Interruptor está en posición "off".                         | Encienda la máquina.                                                                |
|                                  | Cable eléctrico defectuoso.                                 | Contactar con el Servicio Técnico.                                                  |
|                                  | Cortacorrientes del edificio activado.                      | Reiniciar el cortacorrientes.                                                       |
|                                  | Motor sobrecalentado.                                       | Dejar que se enfríe el motor, determine la causa.                                   |
|                                  | Interruptor principal defectuoso.                           | Contactar con el Servicio Técnico.                                                  |
|                                  | Alambrado defectuoso.                                       | Contactar con el Servicio Técnico.                                                  |
| Aspiración defectuosa.           | Conexión del tubo de aspiración o del accesorio está floja. | Apriete las conexiones.                                                             |
|                                  | Tubo de aspiración o accesorio atascado.                    | Retirar los residuos que la bloquean.                                               |
|                                  | Bolsa de polvo está llena.                                  | Vaciar la bolsa de polvo.                                                           |
|                                  | Fuga de aire en el tubo.                                    | Sustituir el tubo.                                                                  |
|                                  | Filtro secundario o filtro de espuma atascado.              | Extraer el filtro y limpiar. <i>No opere la máquina sin los filtros instalados.</i> |
|                                  | Fuga de aire en la tapa del compartimento.                  | Reemplace la junta de la tapa.                                                      |
|                                  | Tapa del compartimento está floja.                          | Cierre bien la tapa.                                                                |

**ESPECIFICACIONES**

| <b>MODELO</b>                                                                | <b>PORTAPAC</b>                                  |
|------------------------------------------------------------------------------|--------------------------------------------------|
| LONGITUD                                                                     | 210mm (8.25 in)                                  |
| ANCHURA                                                                      | 190mm (7.5 in)                                   |
| ALTURA                                                                       | 600mm (2 ft)                                     |
| PESO                                                                         | 5.5Kg (12 lbs)                                   |
| MOTOR DE ASPIRACIÓN                                                          | 120V, 1.7hp, 2-stage, 10A, 1200W (608232/609228) |
|                                                                              | 120V, 1.15hp, 2-stage, 7.5A, 900W (609101)       |
| CAPACIDAD DE BOLSA DE ASPIRACIÓN                                             | 4.75 L (4.3 qts)                                 |
| LONGITUD DEL CABLE ELÉCTRICO                                                 | 15m (50 ft), Medida-16/3 (120V) (608232/609228)  |
|                                                                              | 15m (50 ft), Medida-18/3 (120V) (609101)         |
| DECIBELIOS A LA ALTURA DEL OPERARIO EN RECINTO CERRADO CON SUELO ENMOQUETADO | <75dB(A)                                         |

# FONCTIONNEMENT

Ce manuel est fourni avec chaque nouveau modèle. Il fournit les instructions nécessaires au fonctionnement et à l'entretien. Il est muni d'une liste complète de pièces détachées illustrée.

**Lisez complètement ce manuel et familiarisez-vous avec la machine avant de l'utiliser ou de l'entretenir.**

Utilisez la liste de pièces détachées pour commander des pièces de rechange. Avant de commander des pièces ou des fournitures, soyez sûr d'avoir avec vous le numéro de modèle de la machine et le numéro de série. Les pièces et les fournitures se commandent par téléphone ou par courrier auprès de tout centre de dépannage agréé, de tout distributeur ou de l'une des filiales du fabricant.

Cette machine vous fournira d'excellents services. Toutefois, vous obtiendrez les meilleurs résultats pour un prix de revient minimum si:

- La machine est manipulée avec un certain soin.
- La machine fait l'objet d'un entretien régulier conformément aux instructions d'entretien de ce manuel.
- L'entretien de la machine est effectué avec des pièces fournies par le fabricant ou des pièces équivalentes.

## DONNÉES DE LA MACHINE

A remplir au moment de l'installation à titre de référence.

Modèle n° \_\_\_\_\_

Date d'installation - \_\_\_\_\_

N° série - \_\_\_\_\_



### PROTECTION DE L'ENVIRONNEMENT

Veillez éliminer les matériaux d'emballage, les composants d'anciennes machines comme les batteries, les fluides dangereux tels que l'antigel ou l'huile, d'une manière sûre au point de vue environnemental, suivant la réglementation locale en vigueur en matière d'élimination des déchets.

N'oubliez pas de toujours recycler.

## TABLE DES MATIÈRES

|                                                       |           |                                                     |           |
|-------------------------------------------------------|-----------|-----------------------------------------------------|-----------|
| <b>MESURES DE SÉCURITÉ</b> .....                      | <b>25</b> | <b>DEPISTAGE DES PANNES</b> .....                   | <b>31</b> |
| INSTRUCTIONS DE MISE À LA TERRE ...                   | 26        | <b>DONNEES TECHNIQUES</b> .....                     | <b>31</b> |
| <b>ÉTIQUETTES DE MISE EN GARDE</b> .....              | <b>26</b> | <b>SYSTÈM ÉLECTRIQUE</b> .....                      | <b>32</b> |
| <b>DEBALLAGE DE LA MACHINE</b> .....                  | <b>27</b> | <b>LISTE DES PIÈCES</b> .....                       | <b>34</b> |
| <b>COMPOSANTS DE LA MACHINE</b> .....                 | <b>27</b> | <b>ÉQUIPEMENT AU CHOIX</b> .....                    | <b>36</b> |
| <b>JEUX D'ACCESSOIRES EN OPTION</b> .....             | <b>27</b> | BROSSE À COMMANDE À AIR .....                       | 36        |
| JEU D'INSTRUMENTS STANDARD .....                      | 27        | SOUFFLERIE .....                                    | 37        |
| SOUFFLERIE .....                                      | 27        | FILTRE H.E.P.A. ....                                | 37        |
| FILTRE H.E.P.A. ....                                  | 27        | JEUX D'ACCESSOIRES .....                            | 38        |
| <b>PREPARATION ET UTILISATION DE LA MACHINE</b> ..... | <b>28</b> | ASSESORIO DE CEPILLO PARA CORRIENTE ELECTRICO ..... | 39        |
| <b>ENTRETIEN DE LA MACHINE</b> .....                  | <b>29</b> |                                                     |           |
| <b>ENTREPOSAGE DE LA MACHINE</b> .....                | <b>30</b> |                                                     |           |
| <b>PIECES DE STOCK RECOMMANDEES</b> .....             | <b>30</b> |                                                     |           |



---

## MESURES DE SÉCURITÉ

---

Cette machine est conçue pour un usage commercial. Elle est conçue exclusivement pour ramasser de saleté, les déchets secs et la poussière à l'intérieur et n'est prévue pour aucun autre usage. Le ramassage de tout type de liquide ou de matériaux dangereux/toxiques est interdit. Utilisez uniquement les accessoires recommandés.

Tous les opérateurs sont tenus de lire et comprendre les consignes de sécurité suivantes et de se familiariser avec celles-ci.

Le symbole de mise en garde suivant et l'en-tête « POUR VOTRE SECURITE » sont utilisés tout au long de ce manuel comme indiqué dans leur description:

**⚠ MISE EN GARDE:** identifie la présence de dangers ou les opérations dangereuses susceptibles de blesser grièvement ou de provoquer la mort.

**POUR VOTRE SECURITÉ:** identifie les instructions qui doivent être suivies afin de garantir la sécurité lors de l'utilisation de l'équipement.

---

Le fait de ne pas respecter ces avertissements peut entraîner des blessures, un choc électrique, un incendie ou une explosion.

**⚠ MISE EN GARDE:** N'utilisez pas de liquides inflammables ou n'utilisez pas la machine dans ou près de liquides ou vapeurs inflammables ou poussières combustibles.

Cette machine n'est pas équipée d'un moteur protégé contre les explosions. Le moteur électrique émet des étincelles au moment du démarrage et pendant son fonctionnement, ce qui peut entraîner un incendie instantané ou une explosion si la machine est utilisée dans une zone où des vapeurs/liquides inflammables ou des poussières combustibles, sont présents.

**⚠ MISE EN GARDE:** Ne ramassez pas de matériaux inflammables ou toxiques, de déchets enflammés ou fumants.

**⚠ MISE EN GARDE:** N'utilisez pas la machine avec un cordon d'alimentation endommagé. Ne modifiez pas la prise. Débranchez le cordon d'alimentation avant d'entretenir la machine.

Si le cordon d'alimentation est endommagé ou rompu, il doit être remplacé par le fabricant ou son agent de maintenance ou toute autre personne qualifiée, afin d'éviter tout danger.

**⚠ MISE EN GARDE:** N'utilisez pas la machine en extérieur ou sur des surfaces humides. N'exposez pas à la pluie. Entrez à l'intérieur.

---

Les signaux d'information ci-après indiquent les situations potentiellement dangereuses pour l'opérateur ou l'équipement:

### POUR VOTRE SECURITÉ:

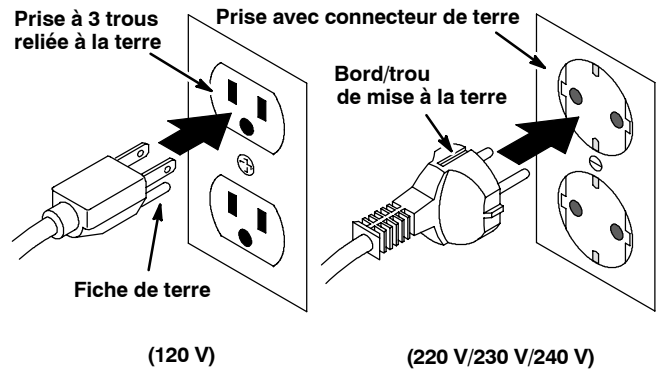
- N'utilisez pas la machine:
  - Dans des zones inflammables ou comportant des risques d'explosion.
  - Si vous n'y êtes pas formé et autorisé.
  - Avant d'avoir lu et compris le manuel opérateur.
  - Si le cordon n'est pas correctement relié à la terre.
  - Avec des cordons ou prises endommagés.
  - Si elle n'est pas en bon état de marche.
  - Sur des surfaces mouillées ou humides.
  - À l'extérieur.
  - Sans sac et/ou filtres dans la machine.
  - Avec une rallonge. (Modèles fixes de corde)
  - Avec des rallonges de cordons supplémentaires (Modèles détachables de corde). Utilisez uniquement les rallonges de cordons équipées avec la machine ; celles-ci possèdent la capacité adéquate et sont reliées à la terre.
- Avant d'utiliser la machine:
  - Assurez-vous que tous les dispositifs de sécurité se trouvent à leur place et fonctionnent correctement.
- Lors de l'utilisation de la machine:
  - Ne tirez pas la machine par la prise ou le cordon.
  - Ne tirez pas le cordon près des bords ou des coins vifs.
  - Ne fermez pas de portes sur le cordon.
  - Ne débranchez pas l'appareil en tirant sur le cordon.
  - N'étirez pas le cordon.
  - Ne manipulez pas la prise avec des mains mouillées.
  - Éloignez le cordon des surfaces chaudes.
  - Ne ramassez pas de déchets enflammés ou fumants, comme des cigarettes, des allumettes ou des cendres chaudes.
  - Signalez immédiatement tout dommage occasionné à la machine ou tout mauvais fonctionnement.
  - Empêchez les enfants de jouer à proximité de la machine.

# FONCTIONNEMENT

4. Avant de quitter ou d'entretenir la machine:
  - Coupez le contact de la machine.
  - Débranchez le cordon de la prise murale.
5. Lors de l'entretien de la machine:
  - Débranchez le cordon de la prise murale.
  - Évitez les pièces mobiles. Ne portez pas de veste ou de chemise large ou de manches amples.
  - Utilisez des pièces de rechanges fournies ou agréées par le fabricant.
  - Toutes les réparations doivent être effectuées uniquement par un technicien qualifié.
  - Ne modifiez pas le design d'origine de la machine.

## INSTRUCTIONS DE MISE À LA TERRE

La machine doit être mise à la terre. En cas de dysfonctionnement ou de panne, la mise à la terre offre une voie de moindre résistance au courant électrique, afin de réduire le risque de décharge électrique. Cette machine est équipée d'un cordon muni d'un conducteur de terre principale et d'une fiche avec mise à la terre. La fiche doit être branchée sur une prise appropriée montée correctement, conformément aux réglementations et codes en vigueur au niveau local. Ne supprimez pas la fiche de mise à la terre ; si celle-ci manque, remplacez la prise avant d'utiliser la machine.



## ÉTIQUETTES DE MISE EN GARDE

L'étiquette de mise en garde apparaît sur la machine à l'emplacement indiqué. Remplacez l'étiquette lorsqu'elle est endommagée ou qu'elle devient illisible.



### ÉTIQUETTE MISE EN GARDE - SITUÉE AU DOS DE LA MACHINE.

| ⚠️ WARNING                                                                                                                                                                                                                                                                                                                                                                                                                                 | ⚠️ AVERTISSEMENT                                                                                                                                                                                                                                                                                                                                                                                                                                                                                                                                               | ⚠️ ADVERTENCIA                                                                                                                                                                                                                                                                                                                                                                                                                                                              |
|--------------------------------------------------------------------------------------------------------------------------------------------------------------------------------------------------------------------------------------------------------------------------------------------------------------------------------------------------------------------------------------------------------------------------------------------|----------------------------------------------------------------------------------------------------------------------------------------------------------------------------------------------------------------------------------------------------------------------------------------------------------------------------------------------------------------------------------------------------------------------------------------------------------------------------------------------------------------------------------------------------------------|-----------------------------------------------------------------------------------------------------------------------------------------------------------------------------------------------------------------------------------------------------------------------------------------------------------------------------------------------------------------------------------------------------------------------------------------------------------------------------|
| <br>EXPLOSION, FIRE AND SHOCK HAZARD. AVOID INJURY. <ul style="list-style-type: none"><li>• Do Not Use Near Flammable Liquids, Vapors or Combustible Dusts.</li><li>• Do Not Pick Up Flammable or Toxic Materials and Burning Debris.</li><li>• Do Not Operate With Damaged Power Cord. Do Not Modify Plug. Unplug Power Cord Before Servicing Machine.</li><li>• Do Not Use Outdoors or On Wet Surfaces. Do Not Expose to Rain.</li></ul> | <br>RISQUE D'EXPLOSION, D'INCENDIE ET DE DÉCHARGE. ÉVITEZ LES BLESSURES. <ul style="list-style-type: none"><li>• N'utilisez Pas Près de Liquides, Vapeurs ou Poussières Inflammables.</li><li>• Ne Ramassez Pas de Matériaux Inflammables ou Toxiques et de Déchets Enflammés.</li><li>• N'utilisez Pas la Machine Avec un Cordon d'Alimentation Endommagé. Ne Modifiez Pas la Prise. Débranchez le Cordon d'Alimentation Avant d'Entretien la Machine.</li><li>• N'utilisez Pas en Extérieur ou Sur des Surfaces Humides. N'Exposez Pas à la Pluie.</li></ul> | <br>PELIGRO DE EXPLOSION, FUEGO, DESCARGA EVITE LESIONES. <ul style="list-style-type: none"><li>• No Use Cerca de Líquidos Flamables, Vapores o Materiales Combustibles.</li><li>• No Recoja Materiales Flamables o Tóxicos ni Desechos Caudentes.</li><li>• No Use Con Cable de Corriente Dañado. No Altere el Enchufe. Desconecte Cable de Corriente Antes del Mantenimiento.</li><li>• No Use al Aire Libre ni en Superficies Húmedas. No Exponga a La Lluvia.</li></ul> |

## DEBALLAGE DE LA MACHINE

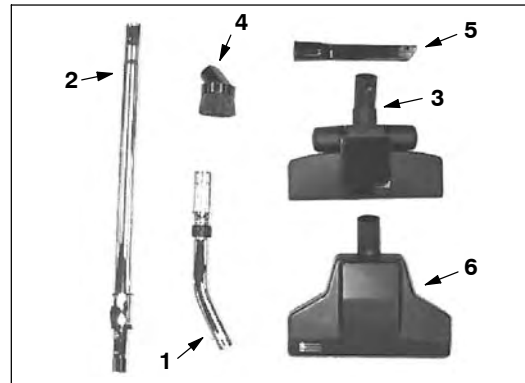
1. Vérifiez soigneusement si le carton ne présente pas de dommages. Signalez immédiatement tout dommage au transporteur.
2. Vérifiez si la machine est complète à l'aide de la liste ci-dessous:
  - 1 - Machine et harnais
  - 1 - Tuyau d'aspiration
  - 1 - Sac en papier (monté)
  - 1 - Sac-filtre secondaire (monté)
  - 1 - Filtre en mousse (monté)
  - 1 - Attache de ceinture du câble d'alimentation

## COMPOSANTS DE LA MACHINE



1. Interrupteur MARCHÉ/ARRET
2. Couvercle du compartiment du sac
3. Bouton de relâchement du couvercle
4. Compartiment du sac
5. Filtre d'échappement
6. Tuyau d'aspiration
7. Harnais de transport
8. Câble d'alimentation
9. Attache de ceinture du câble d'alimentation
10. Crochet du câble d'alimentation
11. Poignée

## JEUX D'ACCESSOIRES EN OPTION



### Jeu d'instruments standard #610988

(instruments 1-5)

1. Extrémité incurvée en chrome à roulette
2. Manche extensible à cliquet de blocage par bouton
3. Instrument pour tapis et sol
4. Brosse à épousseter
5. Instrument pour fentes
6. Brosse à commande à air #190900



### Soufflerie #190939

La soufflerie sert à enlever les déchets des gradins, des gouttières ou des entrées de bâtiments.



### Filtre H.E.P.A. #190938

Le filtre H.E.P.A. (High Efficiency Particulate Air) filtre l'air d'échappement de la machine jusqu'à 0,3 micron avec un rendement de 99,97%. La propreté de l'air d'échappement est particulièrement importante dans les centres de soin.

## PREPARATION ET UTILISATION DE LA MACHINE

**POUR VOTRE SECURITE: N'utilisez la machine qu'après avoir lu et compris le manuel opérateur.**

1. Mettez un sac. Pour ouvrir le couvercle du compartiment du sac, appuyez sur le bouton à l'arrière du couvercle. Placez le sac à l'intérieur du sac-filtre secondaire et refermez le couvercle (Figure 1).



FIG. 1

**REMARQUE:** N'utilisez pas le sac en papier et le sac en tissu fourni en option en même temps.

**ATTENTION:** N'utilisez pas la machine sans sac pour ne pas endommager le moteur.

2. Attachez le tuyau d'aspiration au couvercle du compartiment du sac (Figure 2).



FIG. 2

3. Mettez la machine sur votre dos de la manière décrite ci-dessous (Figure 3):
  - a. Détachez complètement les sangles des épaules du harnais et passez-les par dessus vos épaules. Ne serrez pas encore les sangles.
  - b. Attachez la boucle de la sangle de la taille et réglez la sangle de la taille de manière à ce que le poids de la machine repose de manière confortable sur vos hanches.

- c. Quand la sangle de la taille est bien réglée, resserrez légèrement les sangles des épaules et attachez la boucle des sangles des épaules. Ne serrez pas trop les sangles pour ne pas entraver vos mouvements.



FIG. 3

4. Quand toutes les sangles sont réglées confortablement, fixez l'attache de ceinture au câble d'alimentation et accrochez l'attache au harnais de la manière indiquée (Figure 4).



FIG. 4

5. Attachez l'instrument fourni en option au tuyau d'aspiration (Voir Jeux d'instruments en option).
6. Branchez le câble d'alimentation dans une prise murale munie d'une broche de terre (Figure 5).

**POUR VOTRE SECURITE: N'utilisez la machine que si le câble est correctement relié à la terre.**

**⚠ MISE EN GARDE: N'utilisez pas la machine avec une rallonge.**

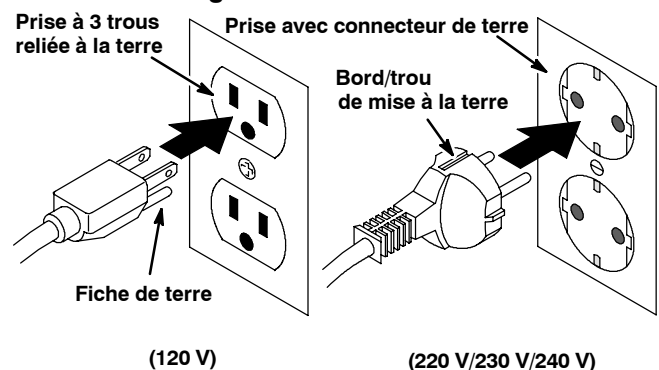


FIG. 5

7. Allumez le commutateur principal et commencez à nettoyer (Figure 6).

**POUR VOTRE SECURITÉ:** Quand vous utilisez la machine, ne tirez pas le cordon sur des arêtes ou coins tranchants. N'étirez pas le cordon. Ne fermez pas de portes sur le cordon. Ne débranchez pas l'appareil en tirant sur le cordon. Eloignez le câble des surfaces chaudes.

**⚠ MISE EN GARDE:** Ne ramassez pas de matériaux inflammables ou toxiques, de déchets enflammés ou fumants.

**⚠ MISE EN GARDE:** Les matières inflammables peuvent causer une explosion ou un incendie. Ne pas ramasser.

Cette machine n'est pas équipée d'un moteur protégé contre les explosions. Le moteur électrique émet des étincelles au moment du démarrage et pendant son fonctionnement, ce qui peut entraîner un incendie instantané ou une explosion si la machine est utilisée dans une zone où des vapeurs/liquides inflammables ou des poussières combustibles, sont présents.



FIG. 6

**REMARQUE:** Le moteur de l'extracteur est protégé contre la surchauffe. Quand la machine détecte une trop grande surcharge du moteur, le moteur se coupe automatiquement et se réenclenche quand le moteur a refroidi. Si le problème survient pendant l'utilisation, débranchez le câble d'alimentation et vérifiez si le tuyau d'aspiration et les filtres ne sont pas obstrués.

8. Changez le sac quand il est plein aux deux-tiers (Voir mention "BAG FULL LINE" imprimée sur le sac en papier). Assurez-vous que la machine est éteinte et que le câble d'alimentation est débranché de la prise murale avant de remettre un sac.

Lorsque vous utilisez le sac en tissu fourni en option, veillez à bien enlever toute la poussière excédentaire et à vérifier si le sac n'est pas déchiré.

9. Exécutez les procédures d'entretien journalières après utilisation de la machine.

## ENTRETIEN DE LA MACHINE

Pour garder la machine en bon état de marche, suivez les procédures d'entretien de la machine recommandées.

**POUR VOTRE SECURITÉ:** Avant de quitter ou d'entretenir la machine, débranchez le cordon de la prise murale.

1. Changez le sac après utilisation ou quand c'est nécessaire. Ne réutilisez pas les sacs en papier. Vérifiez si le sac en tissu n'est pas déchiré ou troué. Remplacez-le s'il est endommagé. Ne lavez jamais le sac en tissu
2. Vérifiez si le câble d'alimentation et la poignée du câble ne sont pas endommagés avant chaque usage, et remplacez-les en cas de dommages. Enroulez convenablement le câble autour du crochet après chaque usage.

**⚠ MISE EN GARDE:** N'utilisez pas la machine avec un cordon d'alimentation endommagé. Ne modifiez pas la prise. Débranchez le cordon d'alimentation avant d'entretenir la machine.

Si le cordon d'alimentation est endommagé ou rompu, il doit être remplacé par le fabricant ou son agent de maintenance ou toute autre personne qualifiée, afin d'éviter tout danger.

3. Enlevez et nettoyez le sac-filtre secondaire après chaque mois d'utilisation. Changez le filtre quand il est usé (Figure 7).



FIG. 7

## FONCTIONNEMENT

4. Enlevez le filtre en mousse et battez-le pour enlever la poussière après chaque mois d'utilisation. Le filtre se trouve sous le filtre secondaire. Changez le filtre quand il est usé (Figure 8).



FIG. 8

**ATTENTION: L'obstruction des filtres ou du tuyau d'aspiration provoque une surchauffe et une coupure du moteur induite par la protection contre la surchauffe.**

5. Vérifiez si le tuyau d'aspiration comporte des fuites d'air, remplacez-le s'il est endommagé.
6. Vérifiez si le joint du couvercle n'a pas de fuite, remplacez-le s'il est usé.
7. Nettoyez la machine avec un produit d'entretien multi-usages et un chiffon humide quand cela est nécessaire.
8. Toutes les 250 heures de service, vérifiez le degré d'usure des balais au charbon du moteur de l'extracteur. Remplacez les balais s'ils mesurent 10mm (0.38 in) ou moins. Contactez le centre de dépannage pour faire vérifier les balais au charbon.

**POUR VOTRE SECURITÉ: Lors du dépannage de la machine, toutes les réparations doivent être effectuées uniquement par un technicien qualifié.**

## ENTREPOSAGE DE LA MACHINE

Avant d'entreposer la machine, enrroulez convenablement le câble autour du crochet, nettoyez tous les filtres et mettez un nouveau sac. Entrezposez la machine à l'abri de l'humidité.

**⚠ MISE EN GARDE: N'utilisez pas la machine en extérieur ou sur des surfaces humides. N'exposez pas à la pluie. Entrezposez à l'intérieur.**

## PIECES DE STOCK RECOMMANDEES

Reportez-vous à la section Liste des pièces pour les pièces de stock recommandées. Les pièces de stock sont identifiées clairement à l'aide d'un point précédant la description des pièces. Voir exemple ci-dessous:

| Ref. | Part No. | Description     | Qty. |
|------|----------|-----------------|------|
| 1    | 701193   | ASBL, STANDPIPE | 1    |
| 2    | 180612   | ●FLOAT, SHUTOFF | 1    |
| 3    | 230197   | NIFFLE          | 1    |
| 4    | 101714   | ●GASKET         | 1    |
| 5    | 210240   | NUT, FLANGED    | 1    |

## DEPISTAGE DES PANNES

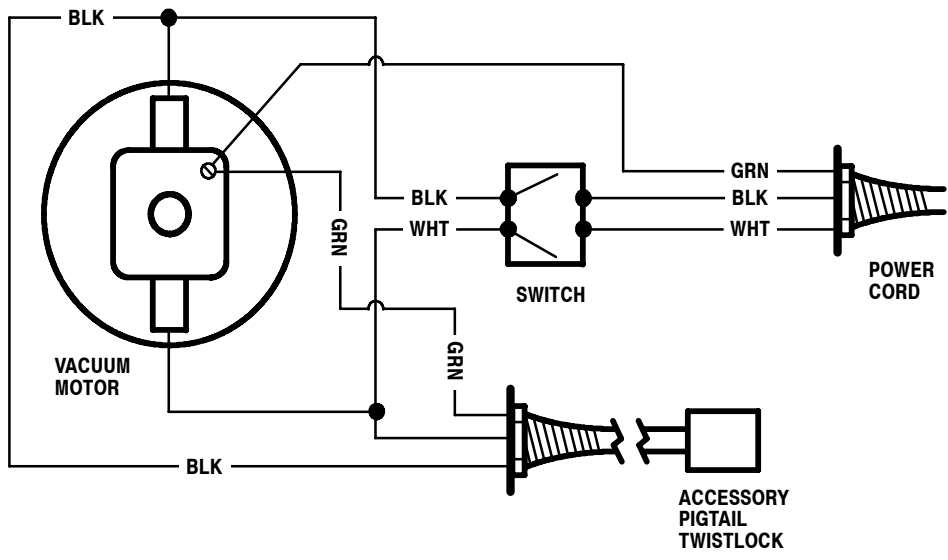
| PROBLEME                                     | CAUSE                                                      | REMEDE                                                                          |
|----------------------------------------------|------------------------------------------------------------|---------------------------------------------------------------------------------|
| Le moteur de l'extracteur ne fonctionne pas. | Commutateur principal est en position arrêt.               | Allumez la machine.                                                             |
|                                              | Câble d'alimentation défectueux.                           | Contactez le service de dépannage.                                              |
|                                              | Coupe-circuit du bâtiment déclenché.                       | Réenclenchez le coupe-circuit.                                                  |
|                                              | Surchauffe du moteur.                                      | Laissez le moteur refroidir, déterminez la cause.                               |
|                                              | Commutateur principal défectueux.                          | Contactez le service de dépannage.                                              |
|                                              | Fil détaché.                                               | Contactez le service de dépannage.                                              |
| Aspiration insuffisante.                     | Raccord du tuyau d'aspiration ou de l'instrument mal fixé. | Fixez convenablement.                                                           |
|                                              | Tuyau d'aspiration ou instrument obstrué.                  | Enlevez les débris responsables de l'obstruction.                               |
|                                              | Sac plein.                                                 | Videz le sac.                                                                   |
|                                              | Fuite d'eau dans le tuyau.                                 | Remplacez le tuyau.                                                             |
|                                              | Filtre secondaire ou filtre en mousse obstrué.             | Enlevez les filtres et nettoyez. <i>N'utilisez pas la machine sans filtres.</i> |
|                                              | Fuite d'air dans le couvercle du compartiment du sac.      | Changez le joint du couvercle.                                                  |
|                                              | Détachez le couvercle du compartiment du sac.              | Refermez le couvercle fermement.                                                |

## DONNEES TECHNIQUES

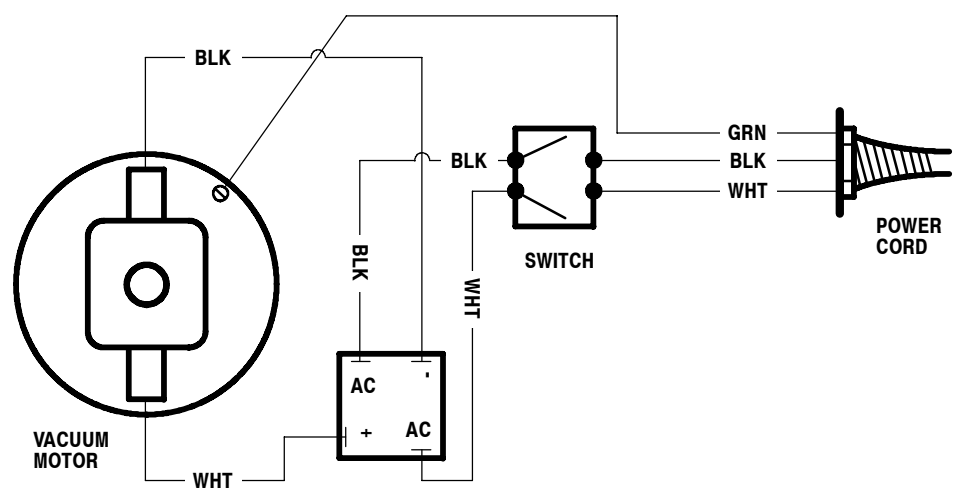
| MODELE                                                                                | PORTAPAC                                             |
|---------------------------------------------------------------------------------------|------------------------------------------------------|
| LONGUEUR                                                                              | 210mm (8.25 in)                                      |
| LARGEUR                                                                               | 190mm (7.5 in)                                       |
| HAUTEUR                                                                               | 600mm (2 ft)                                         |
| POIDS                                                                                 | 5.5 Kg (12 lbs)                                      |
| MOTEUR DE L'EXTRACTEUR                                                                | 120V, 1.7hp, deux étages, 10A, 1200W (608232/609228) |
|                                                                                       | 120V, 1.15hp, deux étages, 7.5A, 900W (609101)       |
| CAPACITE DU SAC                                                                       | 4.75 L (4.3 qts)                                     |
| LONGUEUR DU CABLE D'ALIMENTATION                                                      | 15m (50 ft), Mesure-16/3 (120V) (608232/609228)      |
|                                                                                       | 15m (50 ft), Mesure-18/3 (120V) (609101)             |
| NIVEAU SONORE AU NIVEAU DE L'OREILLE DE L'OPERATEUR, A L'INTERIEUR SUR DE LA MOQUETTE | <75dB(A)                                             |

# ELECTRICAL DIAGRAMS - DIAGRAMAS ELECTRICAS - SYSTEM ÉLECTRIQUE

120V WIRING DIAGRAM / DIAGRAMA DE CABLEADO /  
DIAGRAMME DE CÂBLAGE



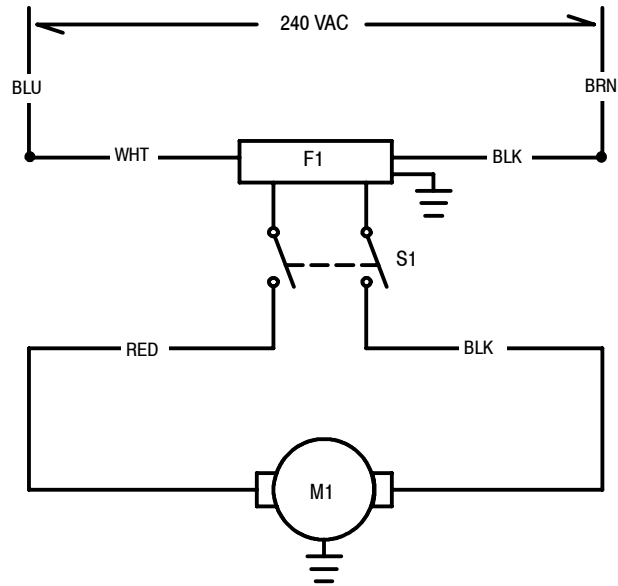
120V / 400 Hz WIRING DIAGRAM / DIAGRAMA DE CABLEADO /  
DIAGRAMME DE CÂBLAGE





# ELECTRICAL DIAGRAMS - DIAGRAMAS ELECTRICA - SYSTEM ÉLECTRIQUE

240V EMC MODEL LADDER DIAGRAM, /  
DIAGRAMA ESCALONADO / DIAGRAMME D'ÉCHELLE

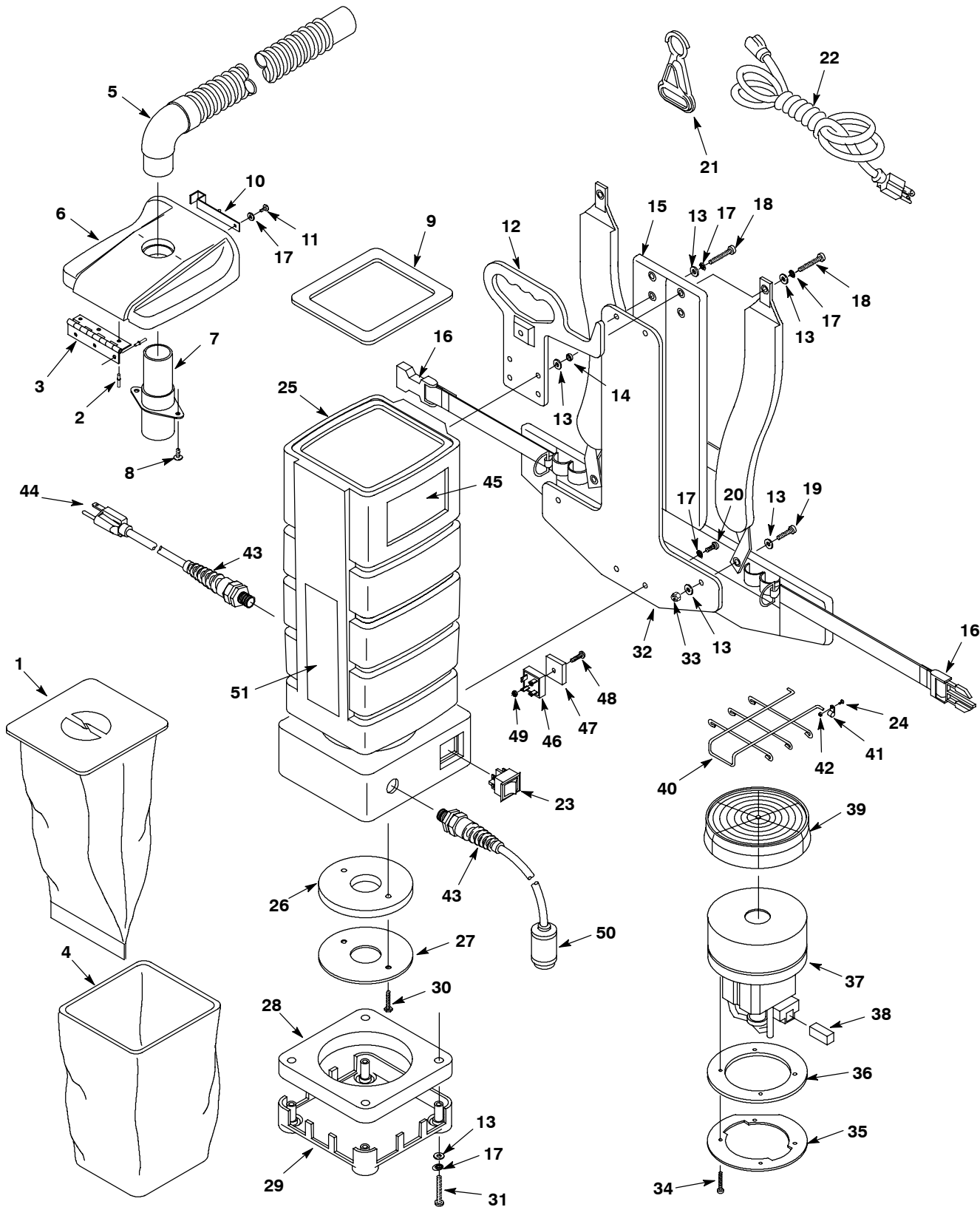


## REF LEGEND

BLK = Black  
BRN = Brown  
BLU = Blue  
WHT = White  
RED = Red  
M1 = Motor, Vacuum  
S1 = Switch, Main  
F1 = Filter

# PARTS LIST - LISTA DE PIEZAS - LISTE DES PIÈCES

## PARTS LIST / LISTA DE PIEZAS / LISTE DES PIÈCES



# PARTS LIST - LISTA DE PIEZAS - LISTE DES PIÈCES

## PARTS LIST / LISTA DE PIEZAS / LISTE DES PIÈCES

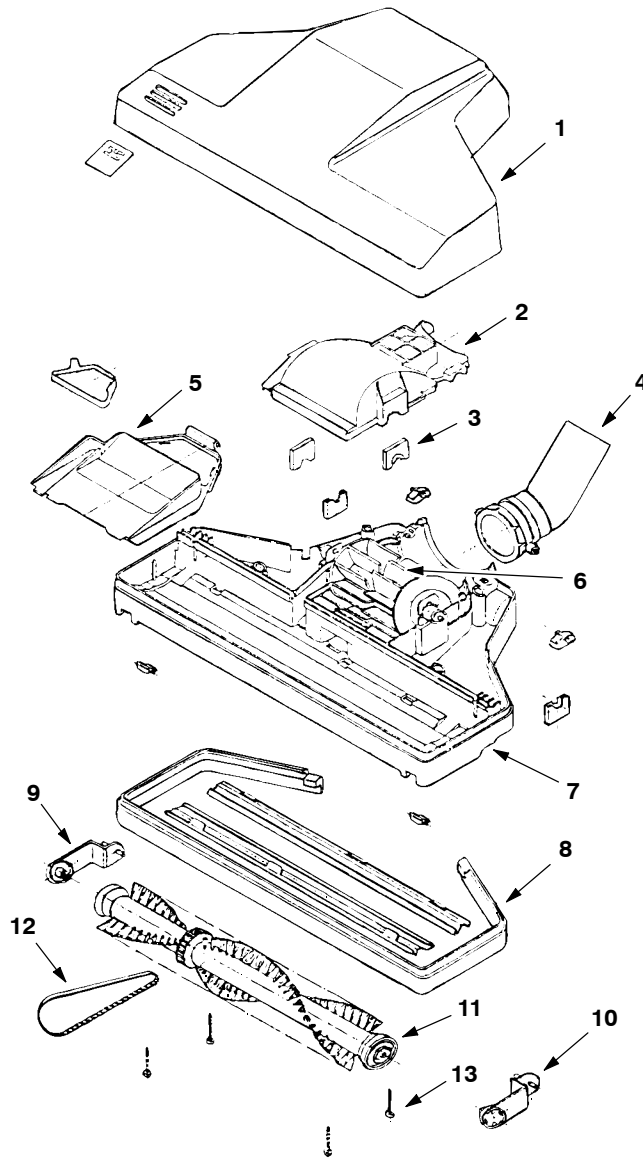
| REF | PART #   | DESCRIPTION                                           | QTY. |
|-----|----------|-------------------------------------------------------|------|
| 1   | 900027   | ●BAG, FILTER, CLOTH PPII                              | 1    |
|     | 611780   | ●BAG, FLTR, PAPER PII<br>(1 CARTON = 10 PKS/100 BAGS) | 1    |
| 2   | 609264   | RIVET, BLIND, .125DX0.25X.25,ALM                      | 6    |
| 3   | 230861   | HINGE, .09PIN .04 1.06W 04.0L                         | 1    |
| 4   | 603463   | ● FILTER BAG (SECONDARY)                              | 1    |
| 5   | 603259   | ●HOSE, VACUUM, 1.5DX50L, 1-90                         | 1    |
| 6   | 608595   | LID, GREEN                                            | 1    |
| 7   | 160485   | ADAPTER, HOSE, STR, 1.50D                             | 1    |
| 8   | 140197   | SCREW, TRS, #10-24X0.38, PHL,SS                       | 2    |
| 9   | 102558   | ●GASKET, COVER                                        | 1    |
| 10  | 605016   | LATCH LID                                             | 1    |
| 11  | 604930   | SCREW, TRS, M5X0.8X10, PHL, ZN                        | 1    |
| 12  | 230415   | HANDLE PORTAPAC BLACK                                 | 1    |
| 13  | 140011   | WASHER, FLAT, 0.21B 0.45D .03                         | 16   |
| 14  | 140149   | BUSHING .19X.25X.44                                   | 2    |
| 15  | 603403   | HARNES [PORTAPAC]                                     | 1    |
| 16  | 140939   | BUCKLE, BELT 1-1/2-BLACK                              | 1    |
| 17  | 07514    | WASHER, LOCK, INT, #10,SS                             | 11   |
| 18  | 140196   | SCREW, TRS, #10-24X1.00, PHL                          | 4    |
| 19  | 140900   | SCREW, TRS, #10-24X0.75, PHL                          | 2    |
| 20  | 140890   | SCREW, TRS, #10-24X0.50, PHL                          | 2    |
| 21  | 130176   | ●CLIP, CORD STRAIN-RELIEF                             | 1    |
| 22  | 130250   | ●CORD, 16/3X50' 120V                                  | 1    |
| 23  | 602669AM | ●SWITCH, ROCKER, (120V) 20A                           | 1    |
| 24  | 140758   | SCREW, TRS, #08-32X0.50, PHL                          | 2    |
| 25  | 608608   | HOUSING, GREEN                                        | 1    |
| 26  | 102525   | FOAM, SOUND DEADENING                                 | 1    |
| 27  | 230520   | PLATE BAFFLE                                          | 1    |
| 28  | 180639   | ●FILTER FOAM VAC MTR EXHST                            | 1    |
| 29  | 230785   | ●PLATE BASE BLACK                                     | 1    |
| 30  | 140751   | SCREW, HEX, #10-32X0.50, ZN                           | 2    |
| 31  | 140899   | SCREW, RND, #10-24X1.25, PHL                          | 4    |
| 32  | 603086   | PLATE BACK                                            | 1    |
| 33  | 140552   | NUT, HEX, LOCK, .38-16, NL, SS                        | 2    |

| REF  | PART #  | DESCRIPTION                                | QTY. |
|------|---------|--------------------------------------------|------|
| 34   | 140750  | SCREW, HEX, #10-24X1.75,IN,ZN              | 4    |
| 35   | 230639  | RING W/TABS VAC MTR (P/PAC)                | 1    |
| 36   | 100122  | ●GASKET VAC MOTOR                          | 1    |
| ▽ 37 | 130418  | ●FAN, VACUUM, 5.7D 2S 120V                 | 1    |
| ▲ 38 | 190155  | ●BRUSH CARBON 2-PACK                       | 1    |
| ▽ 37 | 130483  | ●FAN, VACUUM, 5.7D 2S<br>(608232/609228)   | 1    |
| ▲ 38 | 190160  | ●BRUSH CARBON 2-PACK                       | 1    |
|      | 130311  | ●BRUSH CARBON 2-PACK (400HZ)               | 1    |
| 39   | 180626  | ●FRAME, FILTER, FOAM                       | 1    |
| 40   | 230868  | SUPPORT WIRE BAG                           | 1    |
| 41   | 140326  | CLAMP, CABLE, NYL, 0.12D                   | 2    |
| 42   | 28990   | NUT 8-32 LOCK NY-INSERT SS                 | 2    |
| 43   | 130166  | ●GRIP, CORD, STRNRLF (120V)                | 2    |
| 44   | 130201  | ●CORD, 16/3X28" (120V)                     | 1    |
| 45   | 608491  | DECAL, "PORTAPAC"                          | 2    |
| 46   | N/A     | KIT, RECTIFIER/CARBON BRUSH                | 1    |
| 47   | N/A     | PLATE, HEAT SINK                           | 1    |
| 48   | N/A     | SCREW, 6-32X1 NY                           | 1    |
| 49   | N/A     | NUT, HEX, LOCK, #06-32, NY                 | 1    |
| 50   | 603401  | ●PIGTAIL W/TWISTLOCK<br>(608232/609228)    | 1    |
| 51   | 1026380 | LABEL, WARNING<br>[EXPL,FIRE,SHK EN/FR/ES] | 1    |

- ▽ ASSEMBLY / CONJUNTO / ENSEMBLE
- ▲ INCLUDED IN ASSEMBLY / INCLUIDO A CONJUNTA / Y COMPRIS EN ENSEMBLE
- RECOMMENDED STOCK ITEM / PIEZAS RECOMENDADAS EN ALMACÉN / ÉLÉMENTS DE STOCK RECOMMANDÉS

# OPTIONS - OPCIONES - ÉQUIPEMENT AU CHOIX

## AIR-DRIVEN BRUSH ATTACHMENT BREAKDOWN / TURBO CEPILLO / BROSE À COMMANDE À AIR



| REF | PART # | DESCRIPTION                  | QTY. |
|-----|--------|------------------------------|------|
| ∇   | 190900 | ●BRUSH, AIR (VAC ATTACHMENT) | 1    |
| ▲ 1 | 190915 | COVER, TOP                   | 1    |
| ▲ 2 | 190916 | HOUSING, TURBINE             | 1    |
| ▲ 3 | 190917 | BUSHING/HOLDER               | 1    |
| ▲ 4 | 190918 | FITTING ELB SWIVEL           | 1    |
| ▲ 5 | 190919 | FLAP, CLEANING               | 1    |
| ▲ 6 | 190920 | TURBINE                      | 1    |

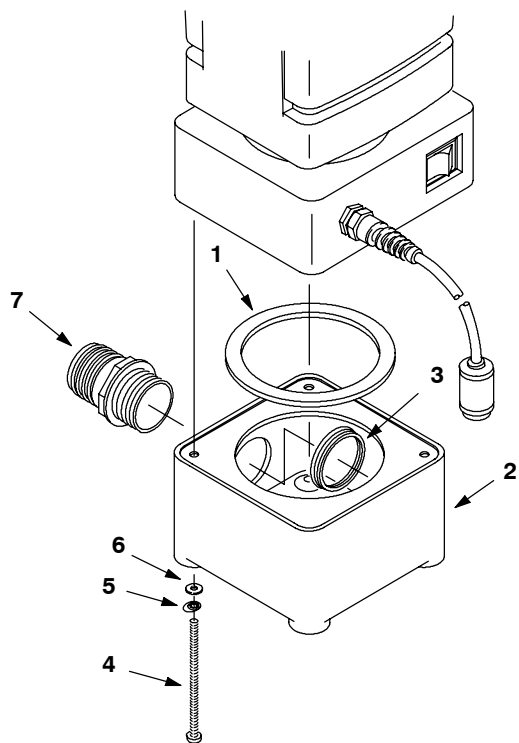
| REF  | PART # | DESCRIPTION    | QTY. |
|------|--------|----------------|------|
| ▲ 7  | 190921 | PLATE, BASE    | 1    |
| ▲ 8  | 190922 | GUARD, BUMPER  | 1    |
| ▲ 9  | 190923 | BRUSHARM RIGHT | 1    |
| ▲ 10 | 190924 | BRUSHARM LEFT  | 1    |
| ▲ 11 | 190925 | BRUSH ROLLER   | 1    |
| ▲ 12 | 190926 | BELT, DRIVE    | 1    |
| ▲ 13 | 190927 | SCREW          | 4    |

∇ ASSEMBLY / CONJUNTO / ENSEMBLE

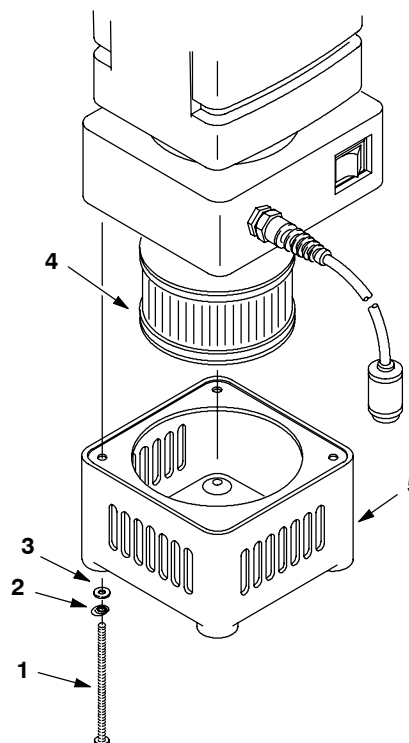
▲ INCLUDED IN ASSEMBLY / INCLUIDO A CONJUNTA / Y COMPRIS EN ENSEMBLE

● RECOMMENDED STOCK ITEM / PIEZAS RECOMENDADAS EN ALMACÉN / ÉLÉMENTS DE STOCK RECOMMANDÉS

## BLOWER ATTACHMENT KIT / EQUIPO DE ACCESORIOS DE SOPLADO / SOUFFLERIE



## H.E.P.A. FILTER ATTACHMENT KIT / EQUIPO DE ACCESORIO FILTRO H.E.P.A. / FILTRE H.E.P.A.



| REF | PART # | DESCRIPTION                      | QTY. |
|-----|--------|----------------------------------|------|
| ▽   | 190939 | ●KIT, BLOWER ATTMTNT             | 1    |
| ▲ 1 | 102559 | GASKET, BLOWER ATTACHMENT        | 1    |
| ▲ 2 | 100404 | HSG BLOWER ACC. RM-BLK/C-O       | 1    |
| ▲ 3 | 210240 | NUT, HEX, FLNG, 1-1/2 FPT, METAL | 1    |
| ▲ 4 | 140755 | SCREW, RND, #10-24X4.50, SLOT    | 4    |
| ▲ 5 | 07514  | WASHER, LOCK, INT #10, SS        | 4    |
| ▲ 6 | 140011 | WASHER, FLAT, 0.21B 0.45 .03, SS | 4    |
| ▲ 7 | 611069 | FITTING, HOSE BARB               | 1    |

| REF | PART # | DESCRIPTION                      | QTY. |
|-----|--------|----------------------------------|------|
| ▽   | 190938 | ●KIT, H.E.P.A. FILTER ATTACHMENT | 1    |
| ▲ 1 | 140755 | SCREW, RND, #10-24X4.50, SLOT    | 4    |
| ▲ 2 | 07514  | WASHER, LOCK, INT, #10, SS       | 4    |
| ▲ 3 | 140011 | WASHER, FLAT, 0.21B 0.45D .03,SS | 4    |
| ▲ 4 | 230786 | FILTER H.E.P.A.                  | 1    |
| ▲ 5 | 100403 | HOUSING, H.E.P.A. ATTACHMENT     | 1    |

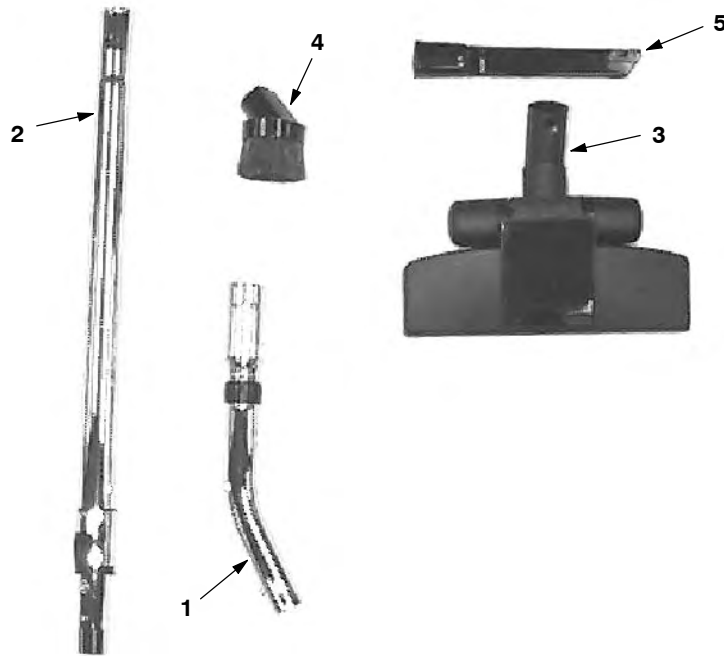
▽ ASSEMBLY / CONJUNTO / ENSEMBLE

▲ INCLUDED IN ASSEMBLY / INCLUIDO A CONJUNTA / Y COMPRIS EN ENSEMBLE

● RECOMMENDED STOCK ITEM / PIEZAS RECOMENDADAS EN ALMACÉN / ÉLÉMENTS DE STOCK RECOMMANDÉS

# OPTIONS - OPCIONES - ÉQUIPEMENT AU CHOIX

## STANDARD ATTACHMENT TOOL KIT / CAJA DE HERRAMIENTAS / JEUX D'ACCESSOIRES



| REF | PART # | DESCRIPTION                                   | QTY. |
|-----|--------|-----------------------------------------------|------|
| ▽   | 610988 | ●KIT, STANDARD ATTACHMENT TOOL (INCLUDES 1-5) | 1    |
| ▲   | 190902 | HOSE END, CHROME                              | 1    |
| ▲   | 605587 | WAND TELESCOPIC                               | 1    |

| REF | PART # | DESCRIPTION             | QTY. |
|-----|--------|-------------------------|------|
| ▲   | 605588 | TOOL, PICKUP, RUG/FLOOR | 1    |
| ▲   | 190715 | TOOL DUST BRUSH         | 1    |
| ▲   | 190714 | TOOL, CREVICE           | 1    |

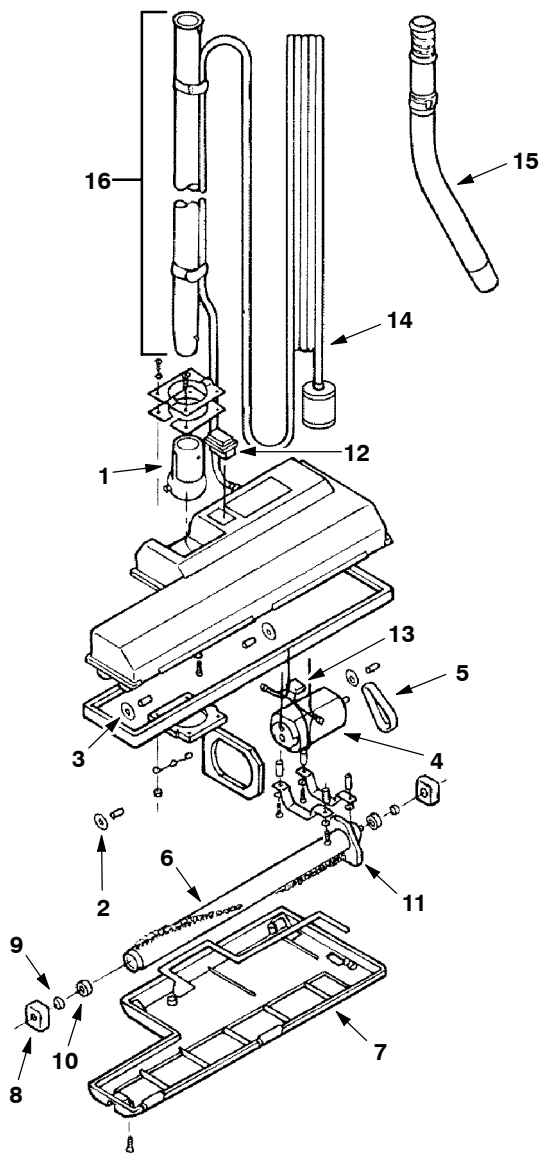
▽ ASSEMBLY / CONJUNTO / ENSEMBLE

▲ INCLUDED IN ASSEMBLY / INCLUIDO A CONJUNTA / Y COMPRIS EN ENSEMBLE

● RECOMMENDED STOCK ITEM / PIEZAS RECOMENDADAS EN ALMACÉN / ÉLÉMENTS DE STOCK RECOMMANDÉS

# OPTIONS - OPCIONES - ÉQUIPEMENT AU CHOIX

## ELECTRIC POWER BRUSH ATTACHMENT BREAKDOWN / ASSESORIO DE CEPILLO PARA CORRIENTE ELECTRICO / PANNE D'ATTACHEMENT DE BROSE D'ÉNERGIE ÉLECTRIQUE



| REF | PART # | DESCRIPTION                      | QTY. |
|-----|--------|----------------------------------|------|
| ∇   | 603407 | ●POWERHEAD 16" 120 VOLT COMPLETE | 1    |
| ▲ 1 | 605498 | BALL KNUCKLE                     | 1    |
| ▲ 2 | 605499 | WHEEL FRONT                      | 1    |
| ▲ 3 | 605500 | WHEEL REAR                       | 1    |
| ▲ 4 | 605501 | MOTOR 115V                       | 1    |
| ▲ 5 | 605502 | BELT BRUSH                       | 1    |
| ▲ 6 | 605503 | ASM BRUSH COMPLETE               | 1    |
| ▲ 7 | 605504 | ASM BASE PLATE COMPLETE          | 1    |

| REF  | PART #  | DESCRIPTION              | QTY. |
|------|---------|--------------------------|------|
| ▲ 8  | SM52556 | BEARING BLOCK BLACK      | 1    |
| ▲ 9  | 605505  | SEAL FELT DUST           | 1    |
| ▲ 10 | 605506  | BEARING BALL             | 1    |
| ▲ 11 | 605507  | SEAL FIBER               | 1    |
| ▲ 12 | 605508  | SWITCH, ON/OFF           | 1    |
| ▲ 13 | 605509  | CAPACITOR                | 1    |
| ▲ 14 | 603512  | CORD EXTENSION POWERHEAD | 1    |
| ▲ 15 | 190902  | HOSE END, CHROME         | 1    |
| ▲ 16 | 606164  | WAND, BUTTON LOCK        | 1    |

∇ ASSEMBLY / CONJUNTO / ENSEMBLE

▲ INCLUDED IN ASSEMBLY / INCLUIDO A CONJUNTA / Y COMPRIS EN ENSEMBLE

● RECOMMENDED STOCK ITEM / PIEZAS RECOMENDADAS EN ALMACÉN / ÉLÉMENTS DE STOCK RECOMMANDÉS