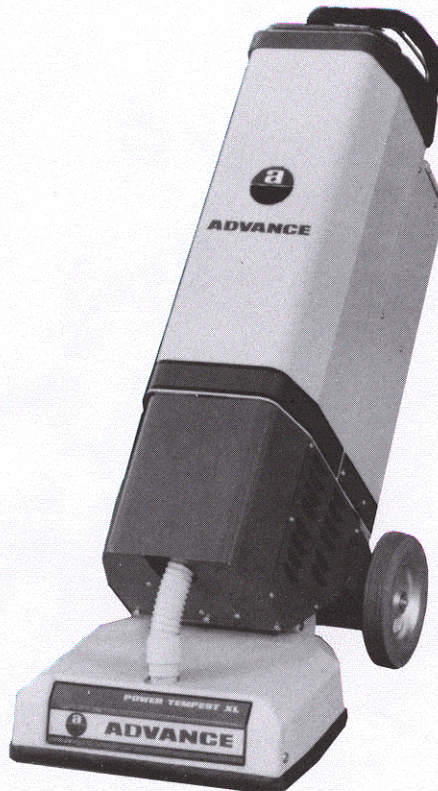


POWER TEMPEST XP

MODELS 262000, 262005, 262010

PARTS LIST



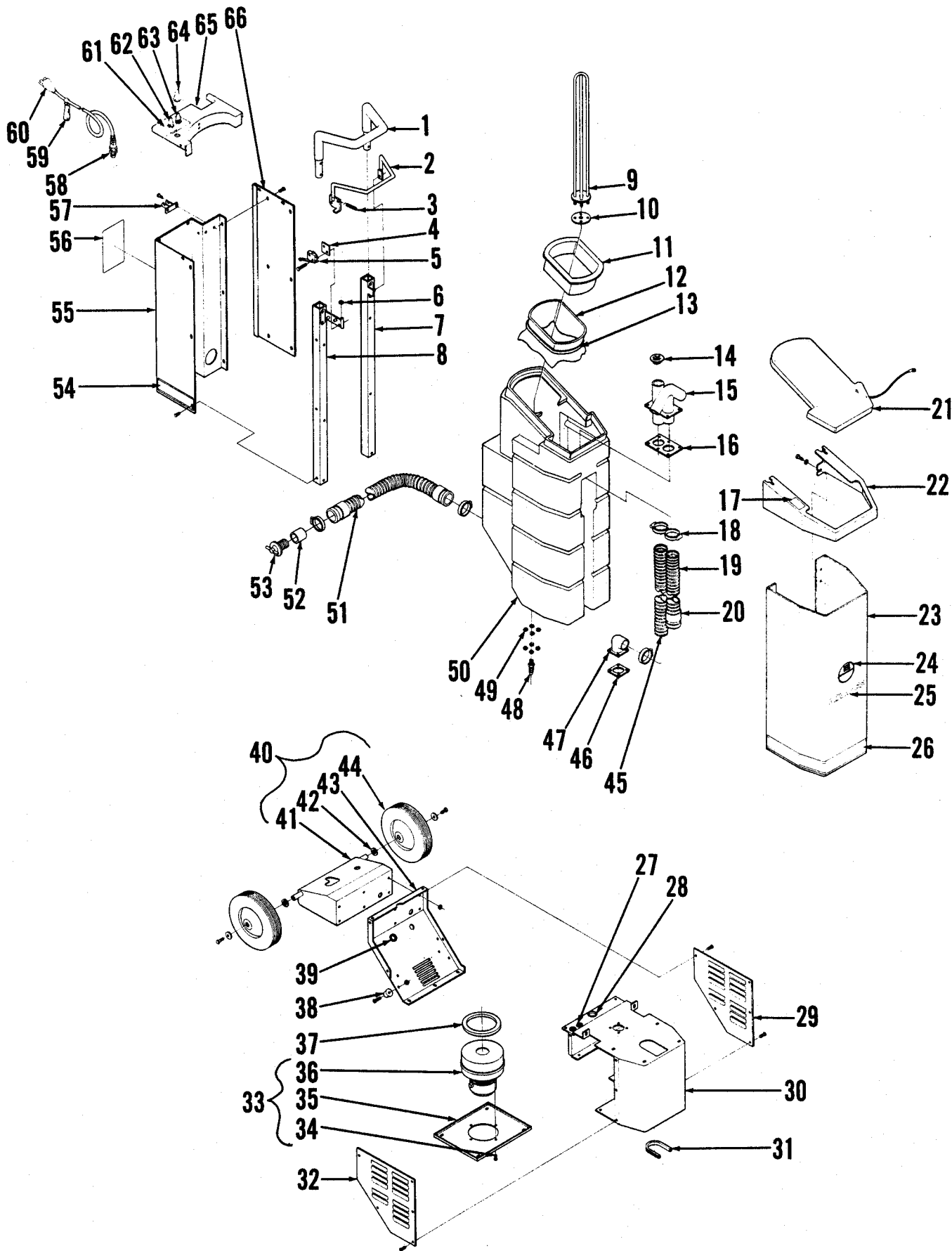
ADVANCE
MACHINE COMPANY

INTERNATIONAL HEADQUARTERS, Plymouth, MN 55447-3408
EUROPE, Llantrisant, Pontyclun, Mid-Glamorgan CF7 8YZ Wales, United Kingdom
CANADA, 1295 Crestlawn Drive, Mississauga, Ontario L4W 1A9



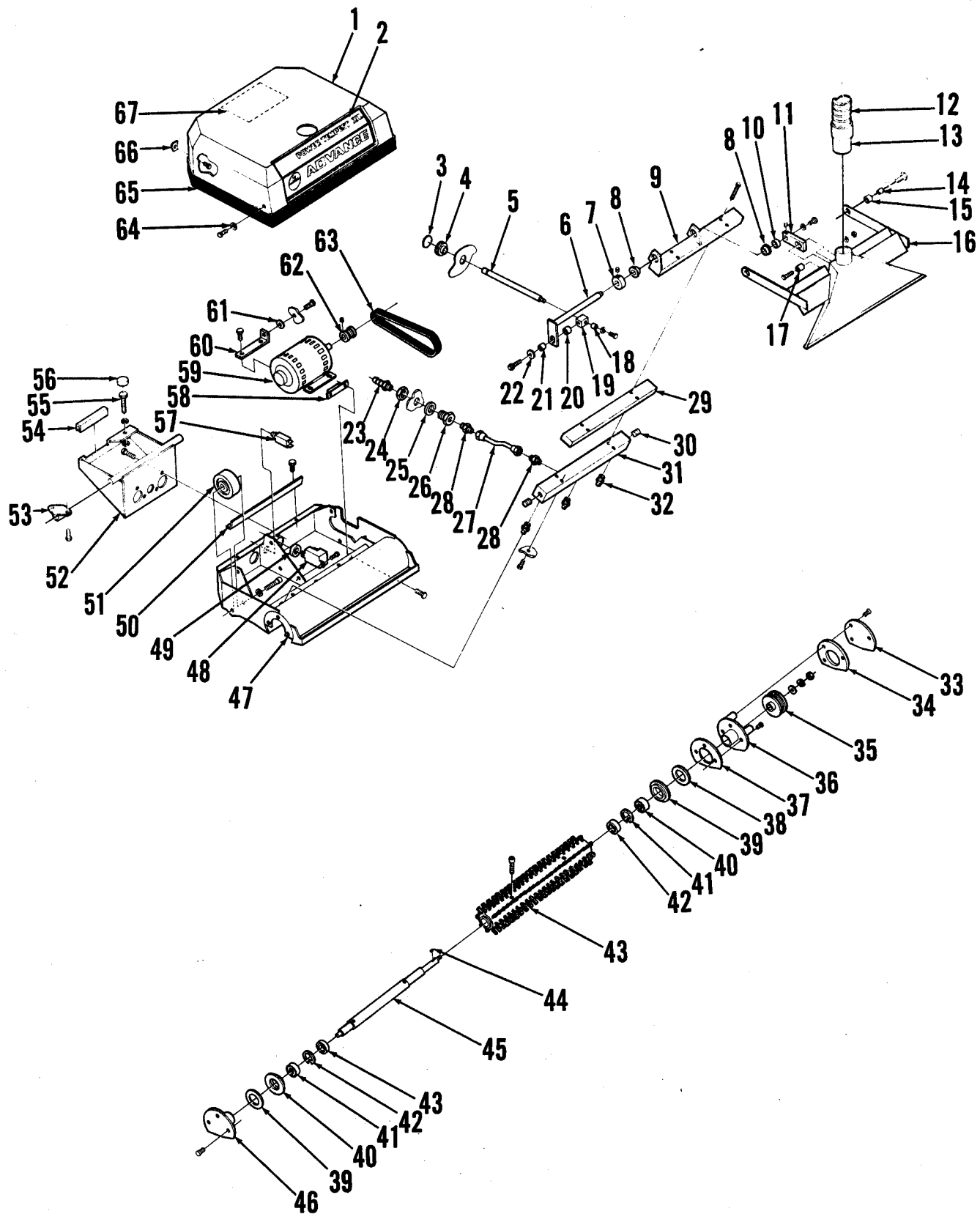
INDEX FOR FORM NUMBER 042190

Description	Location	Page
Base	A8	3
Pump	A10	5
Vacuum Motor & Tanks	A6	1
Vacuum Motor (internal parts)	A14	9
Wiring Diagrams	A12	7



POWER TEMPEST XP

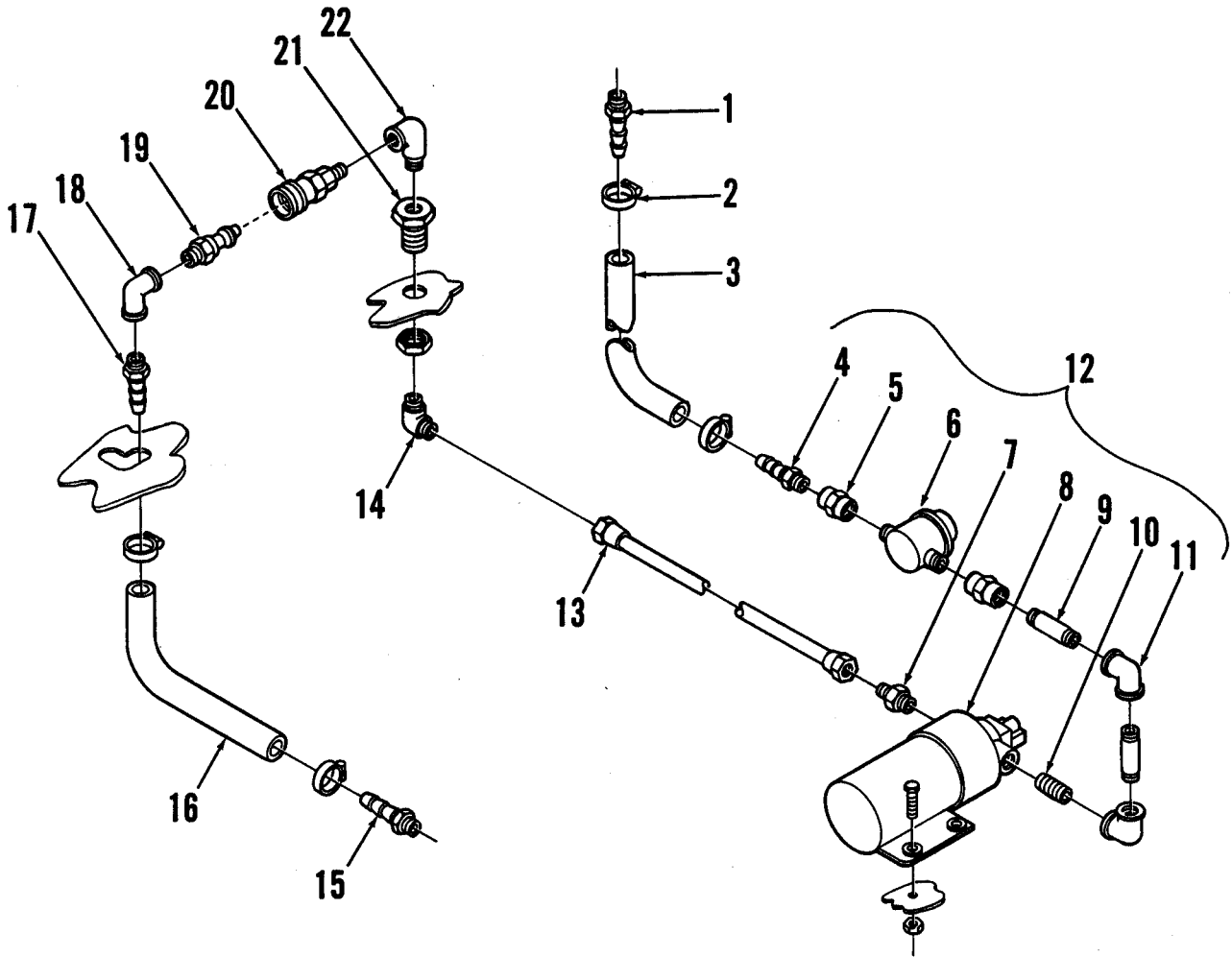
Item	Part No.	Qty	Description	Item	Part No.	Qty	Description
1	262106	1	HANDLE ASSEMBLY	260731	1	CARBON BRUSH SET	
2	260792	1	SWITCH LEVER	37	380905	1	GASKET
3	321087	1	SPRING	38	260923	2	BUMPER
4	260929	1	INSULATOR	39	382818	1	STRAIN RELIEF
5	358992	1	SWITCH	40	262074	1	WHEEL ASSEMBLY
6	260845	1	FASTENER	41	262075	1	WHEEL MOUNT
7	262070	1	LEFT TUBE	42	155373	2	SPRING WASHER
8	262071	1	RIGHT TUBE	43	262077	1	BASE PLATE
9	262032	1	INNER SUPPORT	44	262103	2	WHEEL
10	262035	2	GASKET	45	262046	1	VACUUM HOSE
11	262031	1	TOP SUPPORT	46	262053	1	GASKET
12	262025	1	BLADDER	47	262050	1	ELBOW
13	262089	2	TIE WRAP	48	443972	1	BARB
14	262042	1	SCREEN	49	900737	4	SEALING WASHER
15	262036	1	RECOVERY TUBE	50	262023	1	TANK
16	262041	1	GASKET	51	372222	1	DRAIN HOSE
17	014437	1	DECAL, PUMP SWITCH	52	376940	1	TUBE
18	329145	5	HOSE CLAMP	53	376948	1	PLUG
19	262047	1	RECOVERY HOSE	54	014371	2	DECAL, SIDE STRIPE
20	376940	1	HOSE CUFF	55	262091	1	REAR PANEL
21	262056	1	COVER ASSEMBLY	56	014828	1	DECAL, WARNING 100V, 115V
*	262058	1	Gasket for 262056		014204	1	DECAL, WARNING 230V
22	262060	1	COVER	57	262093	1	HOLDER
23	262059	1	TANK SHIELD	58	323046	1	STRAIN RELIEF
24	014056	1	DECAL, LOGO	59	300187	1	BELT CLIP
25	014059	1	DECAL, ADVANCE	60	584968	1	POWER CORD 115V
26	014055	1	DECAL, STRIPE		245026	1	POWER CORD 100V
27	157376	2	GROMMET		301309	1	POWER CORD 230V
28	477514	1	GROMMET	61	014152	1	DECAL, SWITCH
29	260848	1	LEFT COVER	62	207071	1	SWITCH 115V, 100V
30	262078	1	FRAME		301636	1	SWITCH 230V
31	755581	1	TRIM	63	468359	1	SWITCH 115V, 100V
32	260847	1	RIGHT COVER		260989	1	SWITCH 230V
33	260844	1	VAC MOTOR ASSY 100V, 115V	64	756514	2	BOOT
	260941	1	VAC MOTOR ASSY 230V	65	262092	1	REAR PANEL COVER
34	329623	4	SCREW	66	262098	1	SIDE PANEL
35	260914	1	MOTOR MOUNT 100V, 115V	67	262063	1	SWITCH PLATE ASSY 115V
	260958	1	MOTOR MOUNT 230V				(#55-66)
36	260766	1	VACUUM MOTOR 100V, 115V	262110	1	SWITCH PLATE ASSY 100V	
	260950	1	CARBON BRUSH SET	262083	1	SWITCH PLATE ASSY 230V	
	260771	1	VACUUM MOTOR 230V				



POWER BRUSH

Item	Part No.	Qty	Description	Item	Part No.	Qty	Description
	260870	1	Power Brush Assy 115V	40	228051	2	Ball Bearing
	262090	1	Power Brush Assy 100V	41	249050	2	Retaining Ring
	262084	1	Power Brush Assy 230V	42	228049	2	Seal
1	260894	1	Shroud	43	249012	1	Brush
2	014223	1	Decal, Power Tempest	44	151718	1	Key
3	014145	1	Decal, Knob	45	249014	1	Axle Shaft
4	475480	1	Knob	46	260921	1	Right Hub
5	260877	1	Shaft	47	260865	1	Frame
6	260880	1	Rod	48	321610	1	Relay 115V
7	331076	2	Collar		322407	1	Relay 230V
8	491646	2	Flange Bearing	49	382818	1	Bushing
9	260884	1	Bar	50	260864	1	Support
10	385356	1	Bushing	51	260895	2	Wheel
11	260879	1	Arm	52	260900	1	Brace
12	262046	1	Recovery Hose	53	387304	1	Right Axle Block
13	376940	1	Hose Cuff	*	387306	1	Left Axle Block
14	368989	2	Bushing	54	260978	1	Bumper
15	368970	2	Bearing	55	401783	1	Leveler
16	260875	1	Shoe	56	401788	1	Cap
17	475411	1	Bushing	57	228414	1	Circuit Breaker 115V
18	260933	1	Bushing		329185	1	Circuit Breaker 100V
19	260878	1	Block		290425	1	Circuit Breaker 230V
20	491658	1	Bearing	58	260898	1	Clamp
21	200123	1	Bushing	59	260962	1	Motor 115V TSB537, G-4
22	706083	3	Washer		228428	1	Motor 100V
23	104299	1	Barb		260770	1	Motor 230V
24	159247	1	Nut	60	249054	1	Bracket 115V, 230V
25	760148	1	Washer		260935	1	Motor Mount 100V
26	249335	1	Anchor	61	388762	1	Washer
27	260912	1	Tube Assy	62	249039	1	Sheave
28	900025	2	Connector	63	249040	1	Belt
29	260919	1	Weight	64	449340	2	Washer
30	106046	2	Plug	65	260897	1	Bumper
31	260883	1	Manifold	66	291224	2	Clip
32	262099	3	Nozzle	67	014154	1	Decal, Wiring 115V
33	260917	1	Left Cover		014155	1	Decal, Wiring 100V
34	249030	1	Gasket		014324	1	Decal, Wiring 230V
35	249034	1	Sheave	*	387554	1	Varistor Assy 100V
36	260922	1	Left Hub	*	180162	1	Rectifier 100V
37	249032	1	Gasket				
38	249036	2	Nylon Washer				
39	228062	2	Rubber Washer				

* = Not Shown

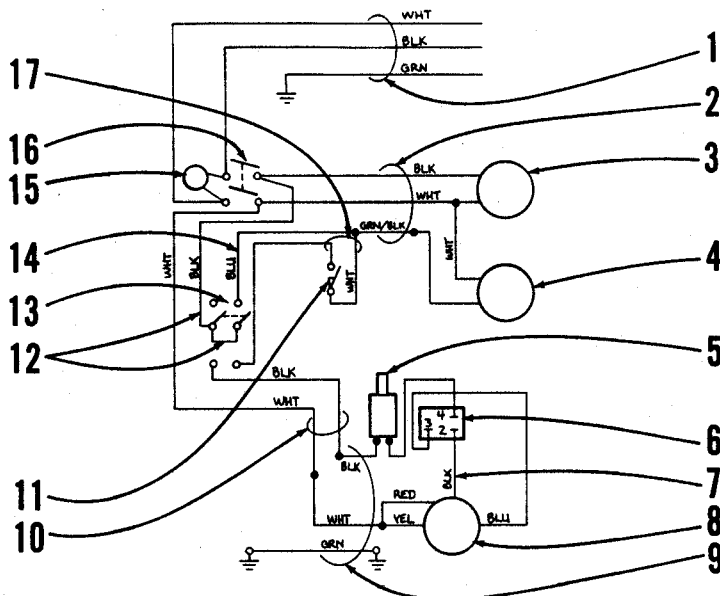


PUMP ASSEMBLY

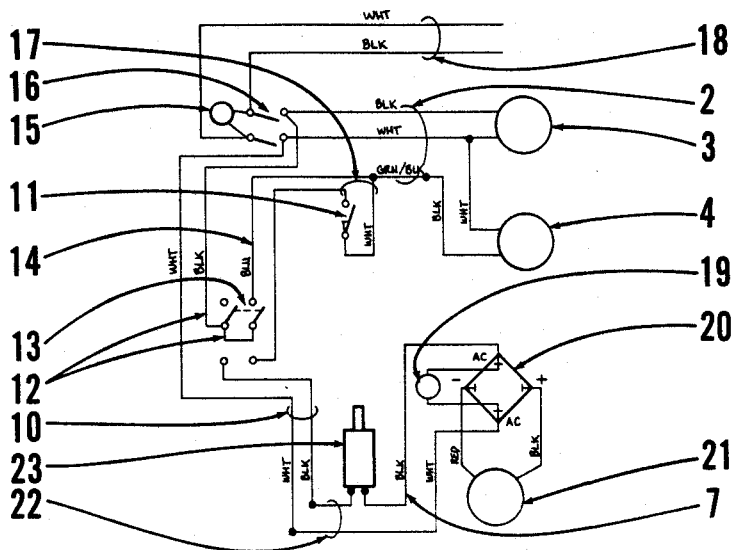
Item	Part No.	Qty	Description
1	443972	1	Barb
2	219932	4	Hose Clamp
3	262087	1	Hose
4	443972	1	Barb
5	757289	2	Coupling
6	260905	1	Inlet Filter
7	900567	1	Connector
8	262101	1	Pump 100V, 115V
	262109	1	Pump 230V
*	260741	1	Valve Kit (for 262101 & 262109)
*	260740	1	Diaphragm Kit (for 262101 & 262109)
*	503014	1	Pressure Switch (for 262101 & 262109)
*	260728	1	Upper Housing Kit (for 262101 & 262109)
*	503030	1	Check Valve Repair Kit (for 262101 & 262109)
9	753689	2	Nipple
10	752730	1	Nipple
11	757310	2	Elbow
12	262102	1	Pump Assembly 100V, 115V
	262108	1	Pump Assembly 230V
13	262086	1	Copper Tube
14	900140	1	Elbow
15	104299	1	Barb
16	262085	1	Hose
17	155640	1	Barb
18	340782	1	Elbow
19	249857	1	Quick Disconnect Plug
20	249568	1	Quick Disconnect Coupling
21	745543	1	Adapter
22	369632	1	Elbow

* = Repair Parts For Pump

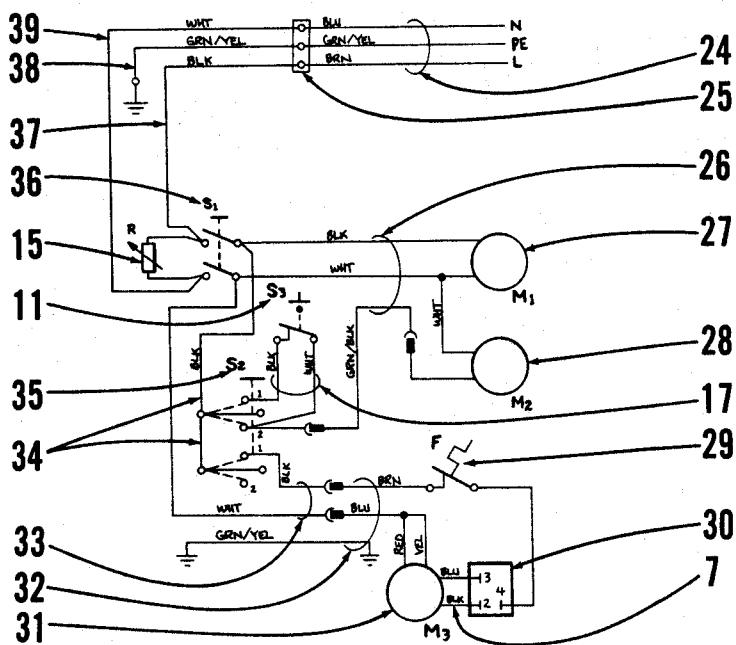
115V



100V



230V



WIRING DIAGRAMS

I	PART #	QTY	DESCRIPTION
1	584968	1	POWER CORD
2	260763	1	CORD ASSEMBLY
3	260766	1	VACUUM MOTOR
4	262101	1	PUMP
5	228414	1	CIRCUIT BREAKER
6	321610	1	RELAY
7	260857	1	WIRE ASSEMBLY
8	260962	1	BRUSH MOTOR
9	260808	1	CORD ASSEMBLY
10	260859	1	CORD ASSEMBLY
11	358992	1	SWITCH
12	260855	2	WIRE ASSEMBLY
13	468359	1	SWITCH
14	262069	1	WIRE ASSEMBLY
15	250168	1	VARISTOR
16	207071	1	SWITCH
17	260819	1	CORD ASSEMBLY
18	245026	1	POWER CORD
19	387554	1	VARISTOR
20	180162	1	RECTIFIER
21	228428	1	BRUSH MOTOR
22	260956	1	CORD ASSEMBLY
23	329185	1	CIRCUIT BREAKER
24	301309	1	POWER CORD
25	183523	1	TERMINAL BLOCK
26	260987	1	CORD ASSEMBLY
27	260771	1	VACUUM MOTOR
28	262109	1	PUMP
29	290425	1	CIRCUIT BREAKER
30	322407	1	RELAY
31	260963	1	BRUSH MOTOR
32	260988	1	CORD ASSEMBLY
33	260986	1	CORD ASSEMBLY
34	260990	2	WIRE ASSEMBLY
35	260989	1	SWITCH
36	301636	1	SWITCH
37	260960	1	WIRE ASSEMBLY
38	260961	1	WIRE ASSEMBLY
39	260959	1	WIRE ASSEMBLY

VACUUM MOTOR

I	PART #	QTY	DESCRIPTION
1	260949	1	COOLING FAN
2	260950	1	CARBON BRUSH/SET - 115V
	260731	1	CARBON BRUSH/SET - 230V
3	260951	1	BALL BEARING
4	228051	1	BALL BEARING
5	260952	1	WASHER
6	372584	1	SPACER
7	260953	1	FAN
8	372588	1	ROTATING FAN, 115V ONLY
	260732	1	ROTATING FAN, 230V ONLY
9	203516	2	SPACER
10	377485	1	STATIONARY FAN
11	372588	1	ROTATING FAN, 115V ONLY
	260733	1	ROTATING FAN, 230V ONLY
12	377486	1	STATIONARY FAN, 115V ONLY
13	203516	1	SPACER, 115V ONLY
14	372588	1	ROTATING FAN, 115V ONLY
15	260955	1	FAN SHELL

