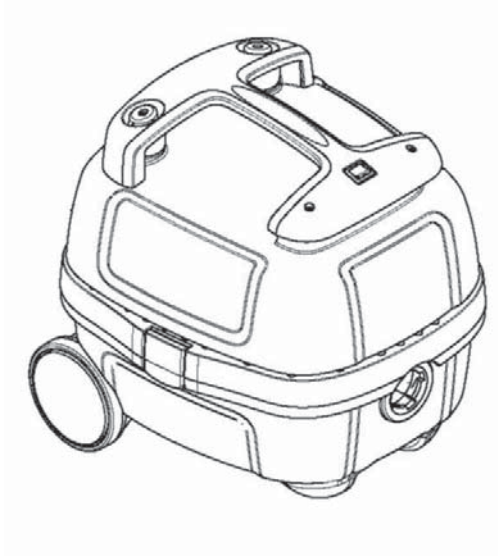


COMMERCIAL DRY VACUUM CLEANER

1

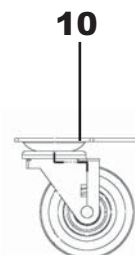
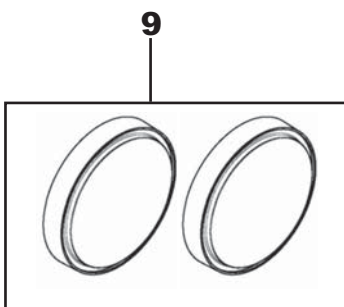
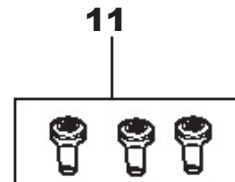
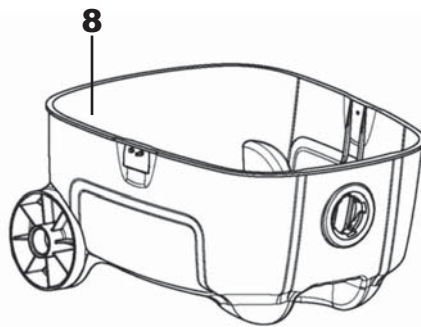
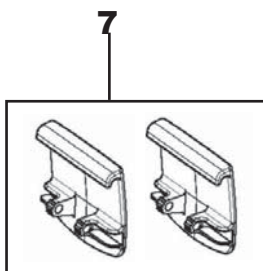
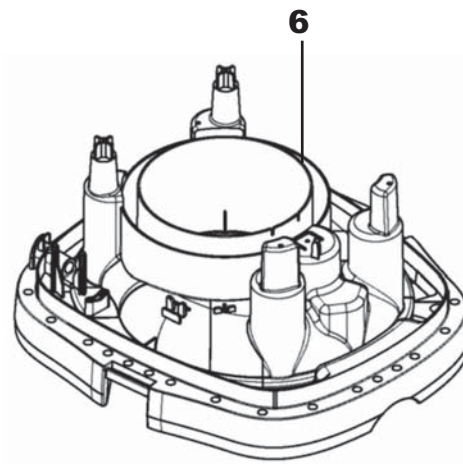
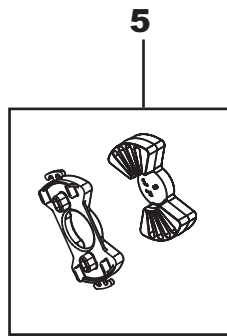
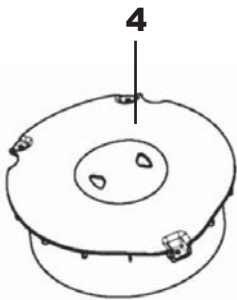
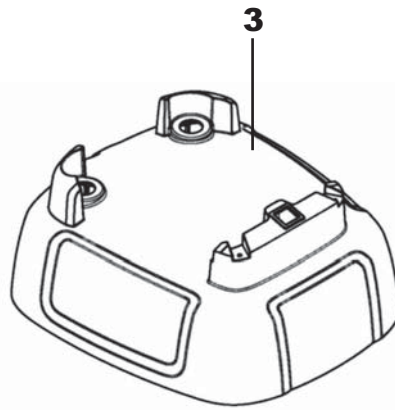
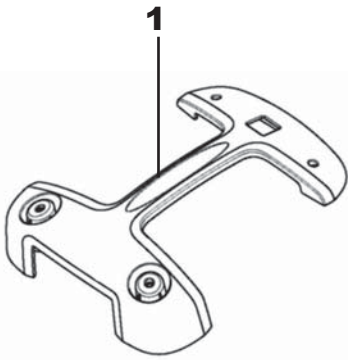


<u>DESCRIPTION</u>	<u>PLAN</u>
Cover & Container	2,3
Filters, fan units & cordsets	4,5
Nozzles, tubes & hoses	6,7
Wiring diagram	8

WHEN ORDERING PARTS

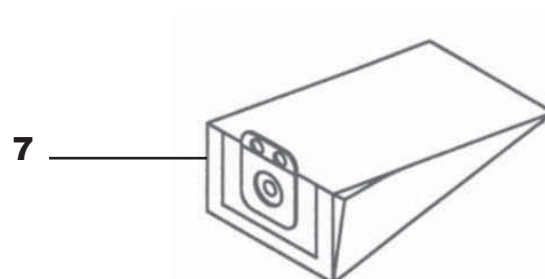
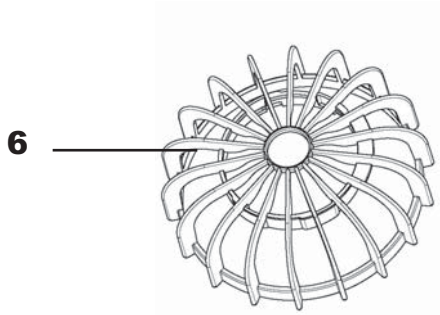
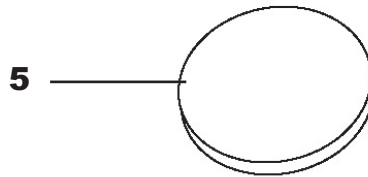
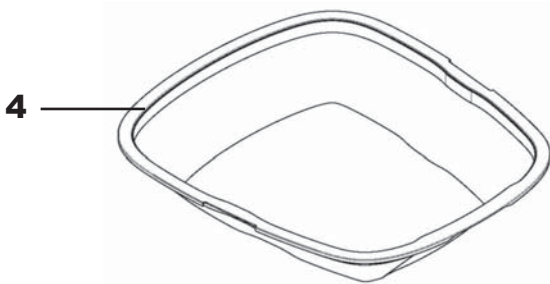
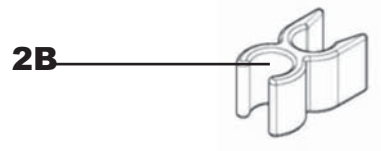
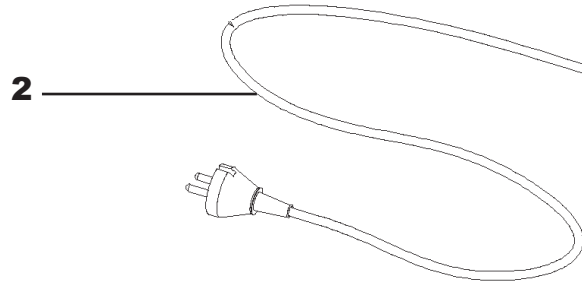
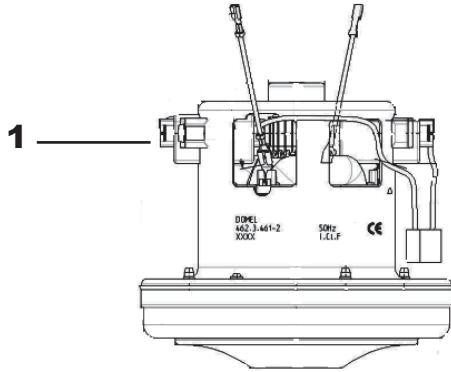
- * Use the numbers from the "Ref. No." columns in this parts list.
- * Specify the quantity.
- * Specify the serial number of the machine.
- * Use the space below to record the model and serial number for future reference.

Model _____ Serial no. _____



06-01	SPARE PARTS LIST - QUICKSTAR	823 0095 000		
	COVER & CONTAINER PARTS			3

Item.No.	Part No	Qty.	Description	Note	EAN code
1	147 0654 500	1	Handle		7319519651683
2	140 5496 510	1	Switch		7319519631739
3	147 0655 510	1	Top cover	UL-approved	7319519651706
4	147 0659 510	1	Noise trap	UL-approved	7319519651751
5	147 0660 500	1	Motor suspension kit	Adapter and damper	
6	147 0656 510	1	Chassis	UL-approved	7319519651720
7	147 0677 500	2	Latches, kit	2 latches	7319519651799
8	147 0657 500	1	Container cpl.	With latches and wheels	7319519651737
9	140 8458 500	2	Wheels rear, kit	2 Wheels	7319519632002
10	140 8445 500	1	Wheel castor	1 Wheel	7319519629347
11	140 9214 500	11	Screw kit PT K 40x14 FZP		7319519651669



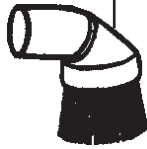
06-01	SPARE PARTS LIST - QUICKSTAR	823 0095 000		
	FILTERS, FAN UNITS & CORDSETS			5

<u>Item.No.</u>	<u>Part No</u>	<u>Qty.</u>	<u>Description</u>	<u>Note</u>	<u>EAN code</u>
1	147 0673 500	1	Fan unit 120V	W.thermal protector	7319519651263
2	147 0716 510	1	Cord set US 10,5 M (32 ft)		7319519647259
2B	147 0808 510	1	Cord clip US		7319519656497
4	147 0678 500	1	Sackfilter, outer		7319519651805
5	147 0670 500	3	Filter, motor	3 psc.	7319519651782
6	147 0669 500	1	Basket, sackfilter		7319519651775
7	140 8618 000	10	Dustbag 10 L	10 pcs.	7319519628364
7	22251800	1	Cloth dustbag	1 pc.	7319519627305

2



4



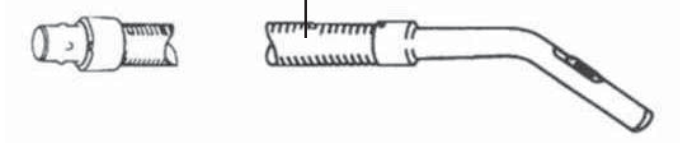
5



6



10



06-01	SPARE PARTS LIST - QUICKSTAR	823 0095 000		
	NOZZLES, HOSES & TUBES 32 mm			7

Item.No.	Part No	Qty.	Description	Note	EAN code
2	12018503	1	Nozzle combi, W. park.clip	Grey	7319519632217
4	11276901	1	Nozzle brush	Grey	5715492005451
5	81140900	1	Nozzle crevice	Grey	7319519494426
6	140 8246 000	1	Extension tube chrome	Steel	7319519300048
10	12018001	1	Hose complete	Grey W. hose handle	5715492003426

