

Instruction Sheet

Recover 12 Squeegee Kit Installation



WARNING:

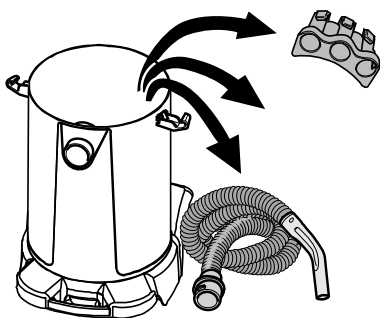
Read all instructions thoroughly. This kit requires some assembly and adjustments.

TOOLS REQUIRED:

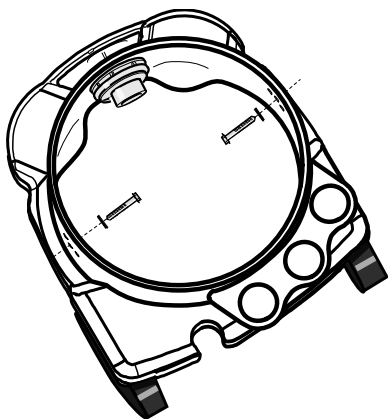
3/8" SOCKET AND WRENCH

ASSEMBLY INSTRUCTIONS:

1. Remove the cover.
2. Remove bagged and loose contents from inside tank.

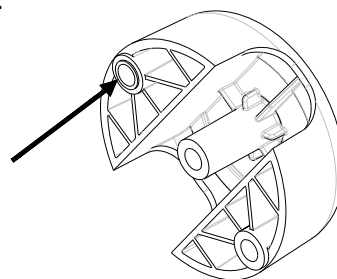


3. Place the metal side of the (6) seal washers (8.627-961.0) against the heads of the screws (8.632-939.0).
4. On each side of the tank, partially insert two screws out the center holes.



5. Place the handle over the two ends of the screws.

6. Locate the raised boss ring on the inside of the pivot cover.



7. Place a pivot cover over the handle and right side screw so that the raised boss ring on the pivot cover is toward the front of the machine. Advance the screw a few rotations.



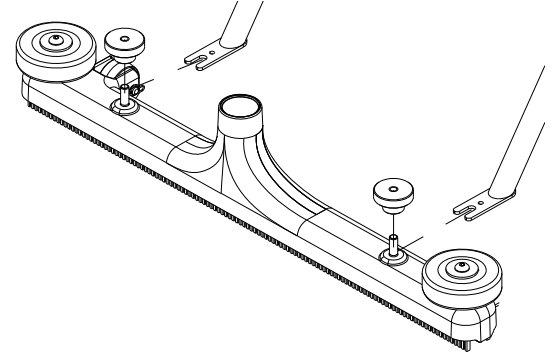
INSTALLATION

- Place the other pivot cover over the handle and left side screw so that the raised boss ring on the pivot cover is toward the back of the machine. Advance the screw a few rotations.

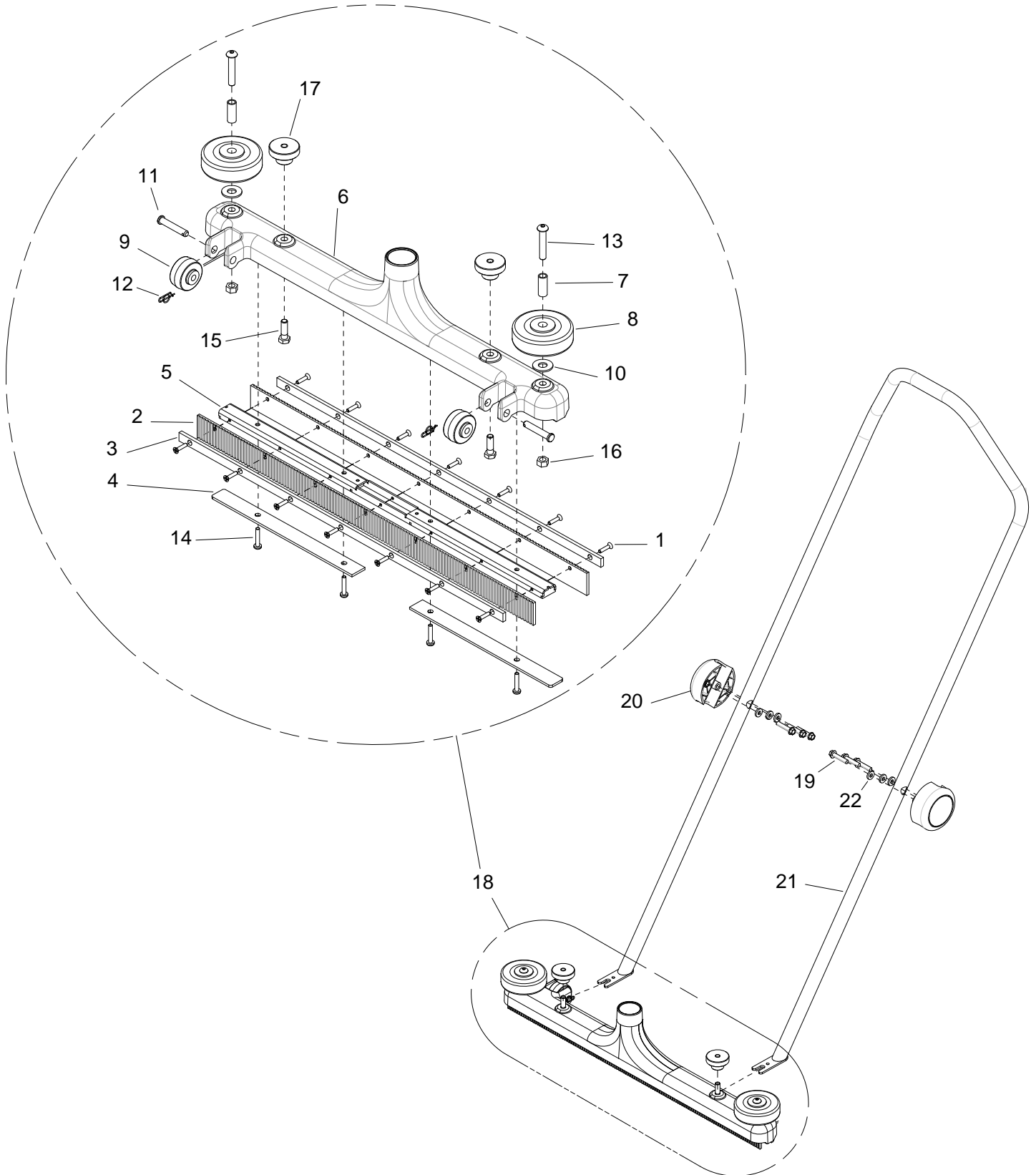


- Insert the remaining screws through the tank and into the holes of the pivot covers.

- Tighten all screws until the washer seals are tight to the inside of the canister walls.
- Verify that the handle can still pivot and touches both pivot cover sides equally.
- Loosen the two knobs on the top of the squeegee deck.



- Orient the deck with the wheels towards the machine.
- Place the screw shafts in the slots at the ends of the handle. Tighten the knobs.
- Attach the hose.



PARTS LIST

REF	PART NO.	PRV NO.	DESCRIPTION	QTY
1	8.633-321.0	-	SCR, 8-32 X 3/4 PFHTC "F" SS	14
2	8.633-300.0	-	BLADE, SQUEEGEE	2
3	8.633-295.0	-	PLATE, RETAINER, SQUEEGE BLADE	2
4	8.633-294.0	-	PLATE, HOLDDOWN, SQUEEGEE	2
5	8.633-293.0	-	RETAINER, SQUEEGEE	1
6	8.632-799.0	-	DECK, SQUEEGEE/VAC	1
7	8.600-135.0	140390	BUSHING, SPANNER .435 X 1.10	2
8	8.601-102.0	89202	WHEEL, 3" DIA. CUSHION RUBBER	2
9	8.601-088.0	89058	WHEEL, 1.5 OD X .31 ID X .75 W GRY	2
10	8.601-077.0	87143	WASHER, 7/16 X 1 FLAT	2
11	8.627-267.0	80831	PIN, CLEVIS	2
12	8.600-866.0	80605	COTTER, 5/16 RING	2
13	8.627-740.0	70839	SCR, 5/16-18 X 1.75 BSHCS SS	2
14	8.600-683.0	70386	SCR, 10-32 X 1.0 PPHMS	4
15	8.627-678.0	70728	SCR, 5/16-18 X 3/4 HHCS SS	2
16	8.600-565.0	57031	NUT, 5/16-18 HEX	2
17	8.621-969.0	48080	KNOB, 1.5 OD X 5/16-18	2
18	8.633.132.0	-	GRP, SQUEEGEE DECK	1
19	8.632-939.0	-	SCR, 1/4-10X1.25 HHST, PLASTITE 48/2	6
20	8.632-872.0	-	COVER, PIVOT	2
21	8.632-827.0	-	HANDLE, FINISHED	1
22	8.627-961.0	-	WASHER, SEAL 1/4X5/8OD SS	6