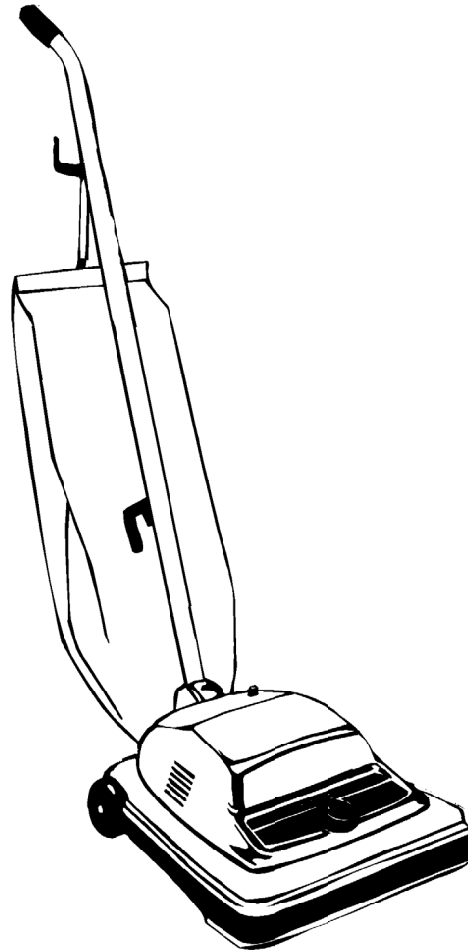


# ReliaVac™ 12

---

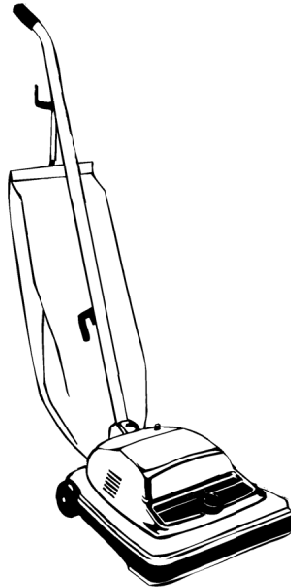


---

## **PARTS LIST**

**MODELS: 56648069, 03002A**



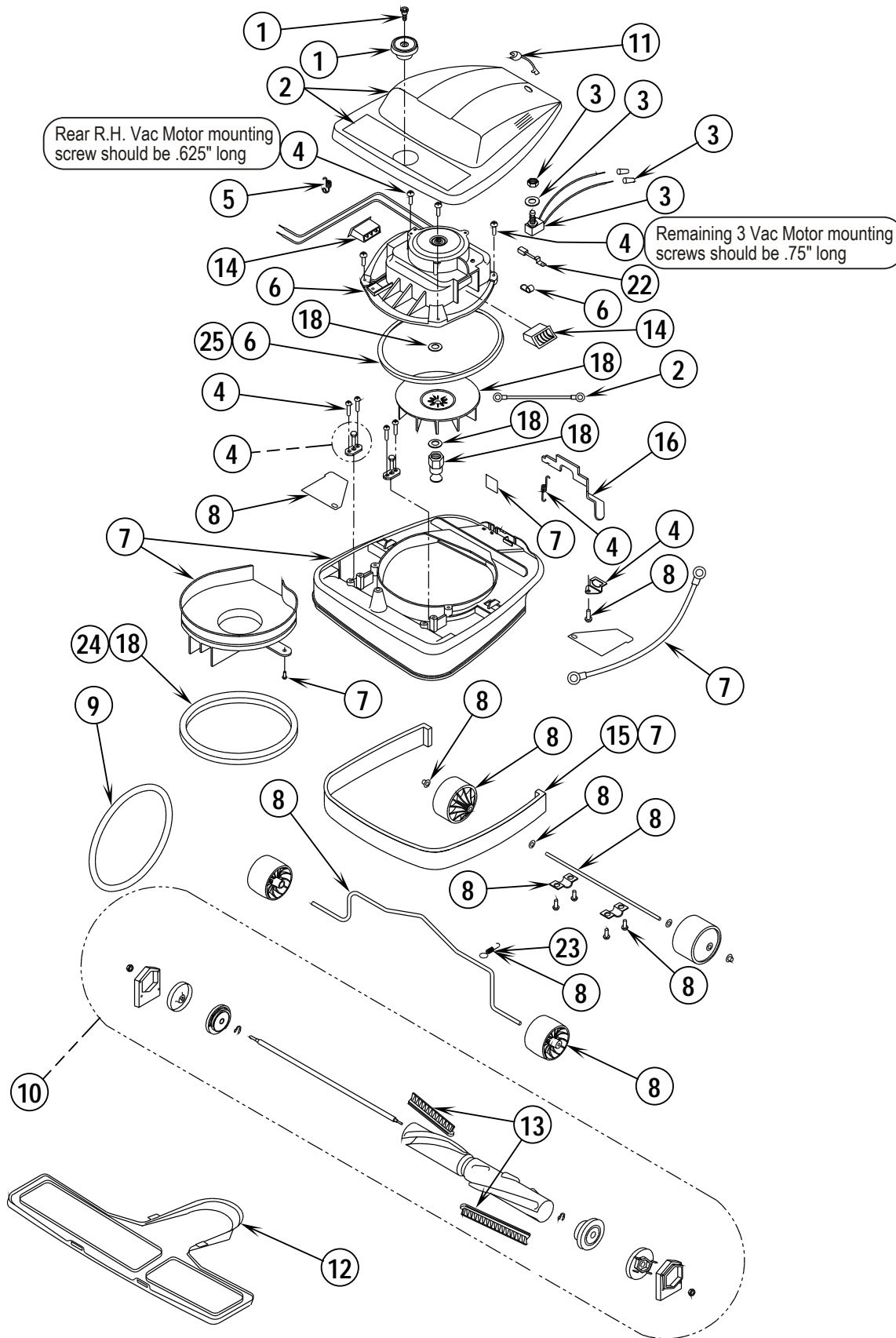


DESCRIPTION	PAGE
Base Assembly.....	2-3
Handle Assembly .....	4-5
Wiring Diagram .....	5
Handle Assembly (Optional Dirt Cup) .....	6-7

#### WHEN ORDERING PARTS

- \* Use the part numbers from the "Ref. No." columns in this parts list.
- \* Specify the model and serial number of the machine.
- \* Use the space below to record the model and serial number for future reference.

Model \_\_\_\_\_ Serial No. \_\_\_\_\_



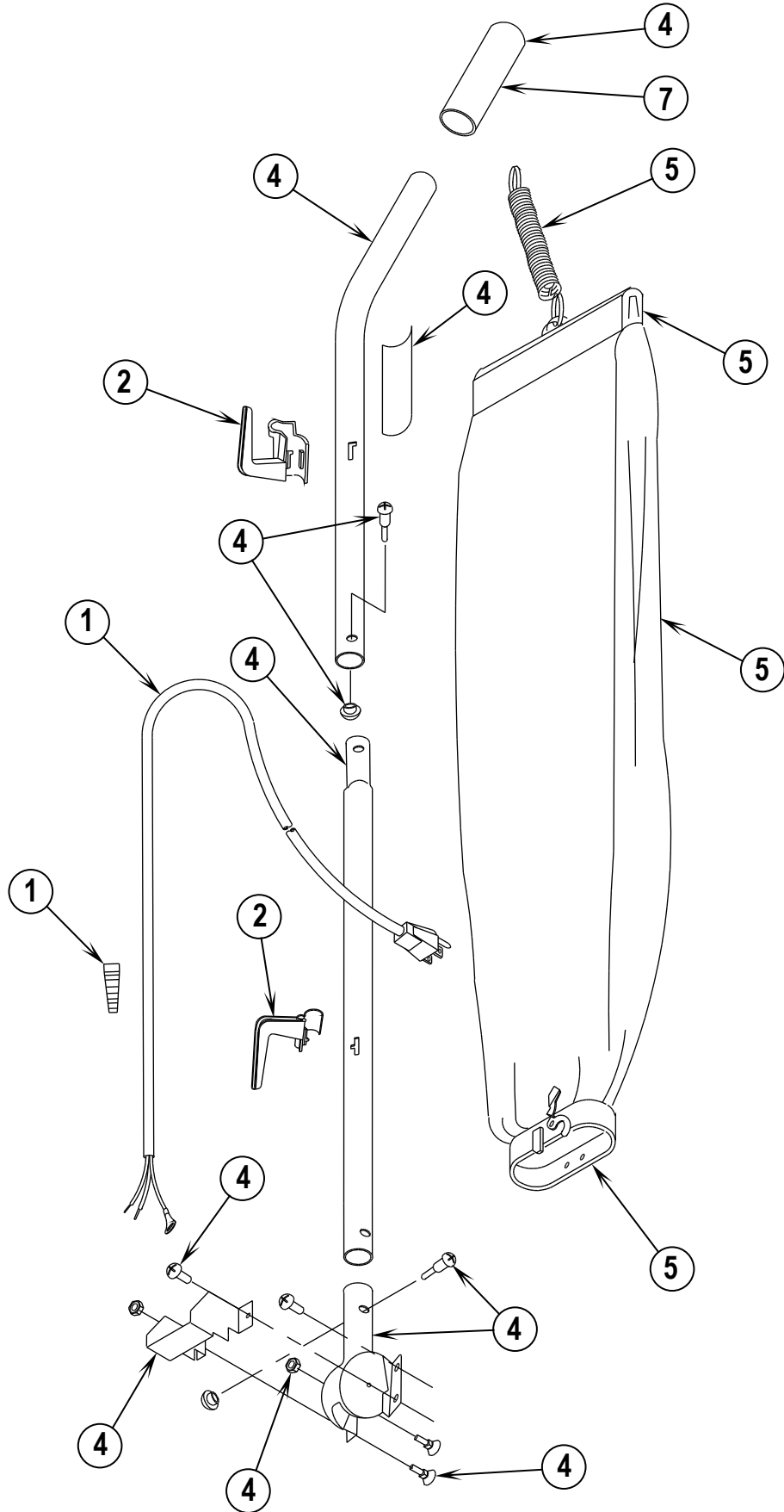
04-11	<b>BASE ASSEMBLY</b>		
09-1	<b>ReliaVac™ 12</b>		<b>3</b>

Item	Ref. No.	Qty	Description
1	56648400	1	Brush Height Knob Assembly
2#	56648401	1	Hood Assembly-Grey
#	30862A	1	Hood Assembly-Black
3	56648405	1	Switch Assembly
4	56648410	1	Hardware Kit Base
5	56630765	2	Spring, Ext .304d .930l .055wd
6	56648406	1	Motor & Seal Assembly
7#	56648407	1	Base Assembly-Grey
#	60584A	1	Base Assembly-Black
8	56648422	1	Wheel Assembly
9	56630563	1	Belt-Disturbulator Drive
10	56630489	1	Disturbulator, Assembly
11	56648417	1	Power Cord Assembly (see #1 on page 5 and #3 on page 7)
12	56630478	1	Asm, Plate--Bottom
13	56648412	1	Brush Strip Kit
14	56648418	1	Air Duct Assembly
15	56630508	1	Guard, Furn--Clear Blue, 31.00l
16	56630395	1	Pedal, Foot--Uprt, White
18	56648420	1	Pulley and Fan Kit
#	30864A	1	Pulley and Fan Kit-Green
22	56630561	2	Carbon Brush, Mtr
23	56630620	1	Spring, Ext .275d 1.50l .024wd
24#	56630562	1	Gasket-Motor Seal
25#	56648178	1	Gasket-Motor Seal
**	56052964	1	Magnet, Permanent
**	56630325	1	Upright Vacuum Accessory Kit

\* = Not Shown

\*\* = Not Included (optional)

# = Revised or new since last update

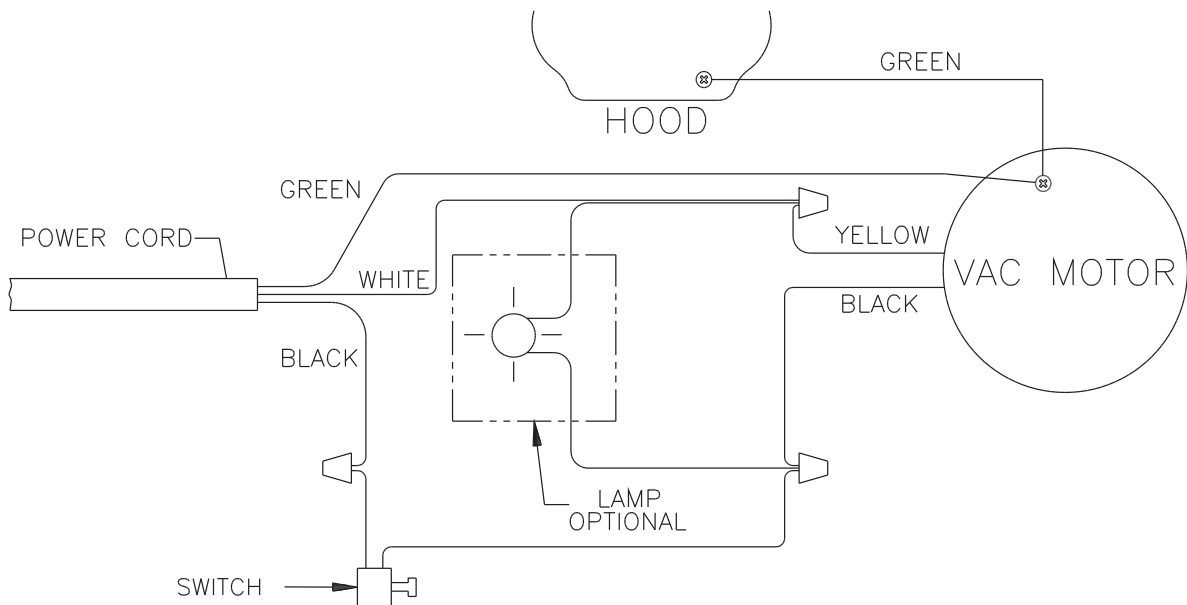


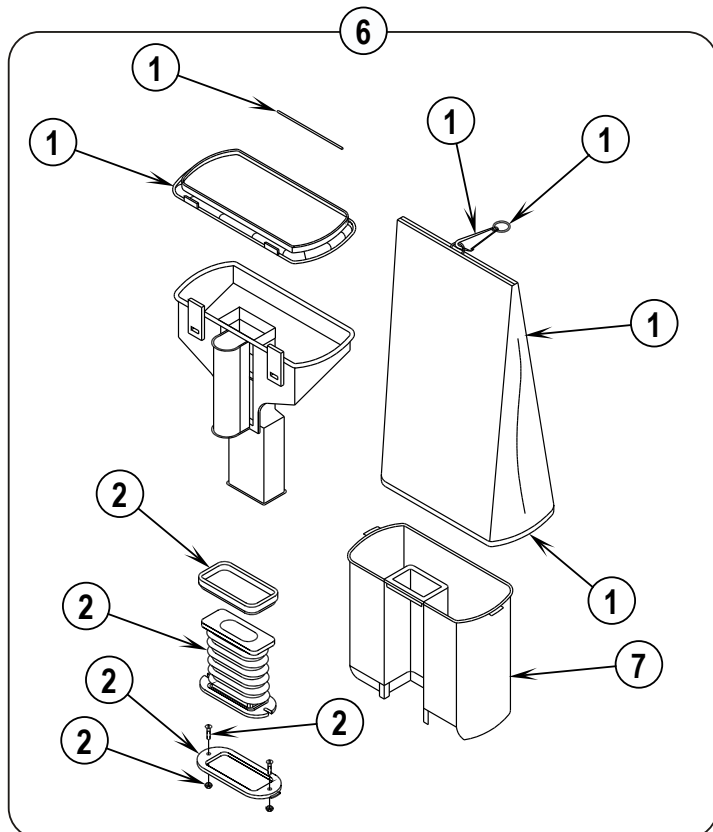
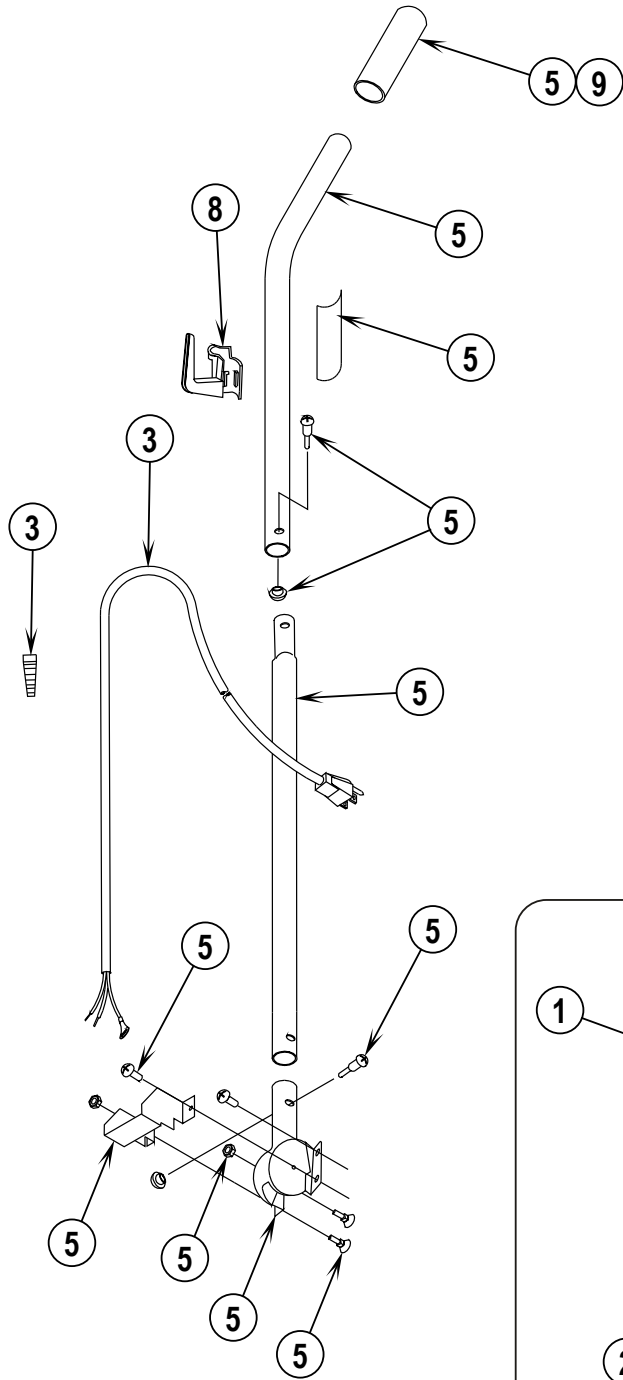
Item	Ref. No.	Qty	Description
1	56648417	1	Power Cord Assembly (see #11 on page 3)
2	56648421	1	Hook Assembly
4	56648424	1	Handle Assembly
5	56648423	1	Bag Assembly
7	56648429	1	Grip, Handle—Dark Gray
**	56035451	1	Asm, Bag Zip Gray TYT HD Com
**#	30880A	1	Cloth Zipper Bag-Black
**	56637120	A/R	Disposable Paper Bag (pkg of 10)
**	56039515	1	Kit, Dirt Cup Conversion
**	56630249	1	Dirt Cup, Clear Plastic
**	56648404	1	Dirt Cup Bag Kit
**	56648427	1	Dirt Cup Bellows Kit

\* = Not Shown

\*\* = Not Included (optional)

# = Revised or new since last update







04-11

**HANDLE ASSEMBLY (OPTIONAL DIRT CUP)**

07-4

**ReliaVac™ 12**

**7**

Item	Ref. No.	Qty	Description
1	56648404	1	Dirt Cup Bag Kit
2	56648427	1	Dirt Cup Bellows Kit
3	56648417	1	Power Cord Assy (see #11 on page 3)
5	56648411	1	Handle Assy
6	56039515	1	Dirt Cup Kit
7	56630249	1	Cup--Dirt,Clear Plstc
8	56630353	1	Hook,Cord--Uprt,Dark Gray
9	56648429	1	Grip,Handle—Dark Gray



**Nilfisk  
Advance**

*setting standards*

Nilfisk-Advance, Inc.  
14600 21st Avenue North  
Plymouth, MN 55447-3408  
[www.nilfisk-advance.com](http://www.nilfisk-advance.com)  
Phone: 800-989-2235  
Fax: 800-989-6566  
©2009 Nilfisk-Advance, Inc.