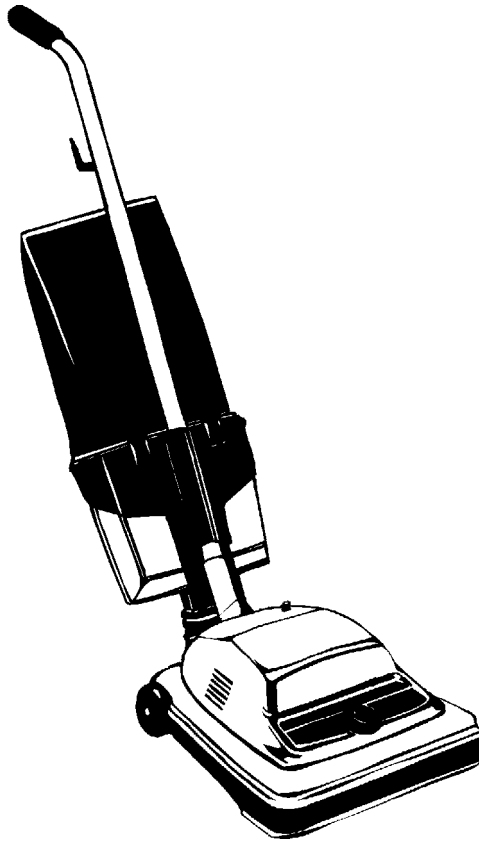
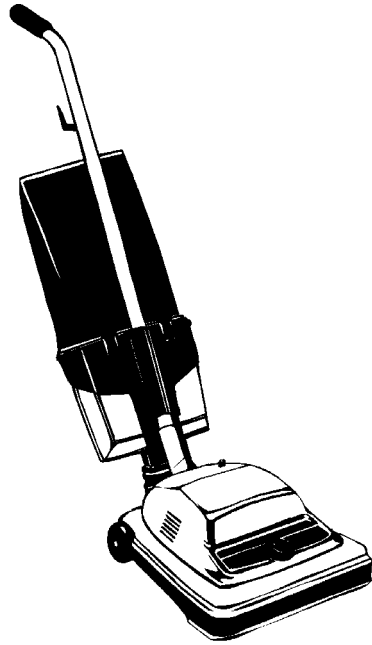


ReliaVac™ 12DC



PARTS LIST

MODELS: 56648070, 03003A

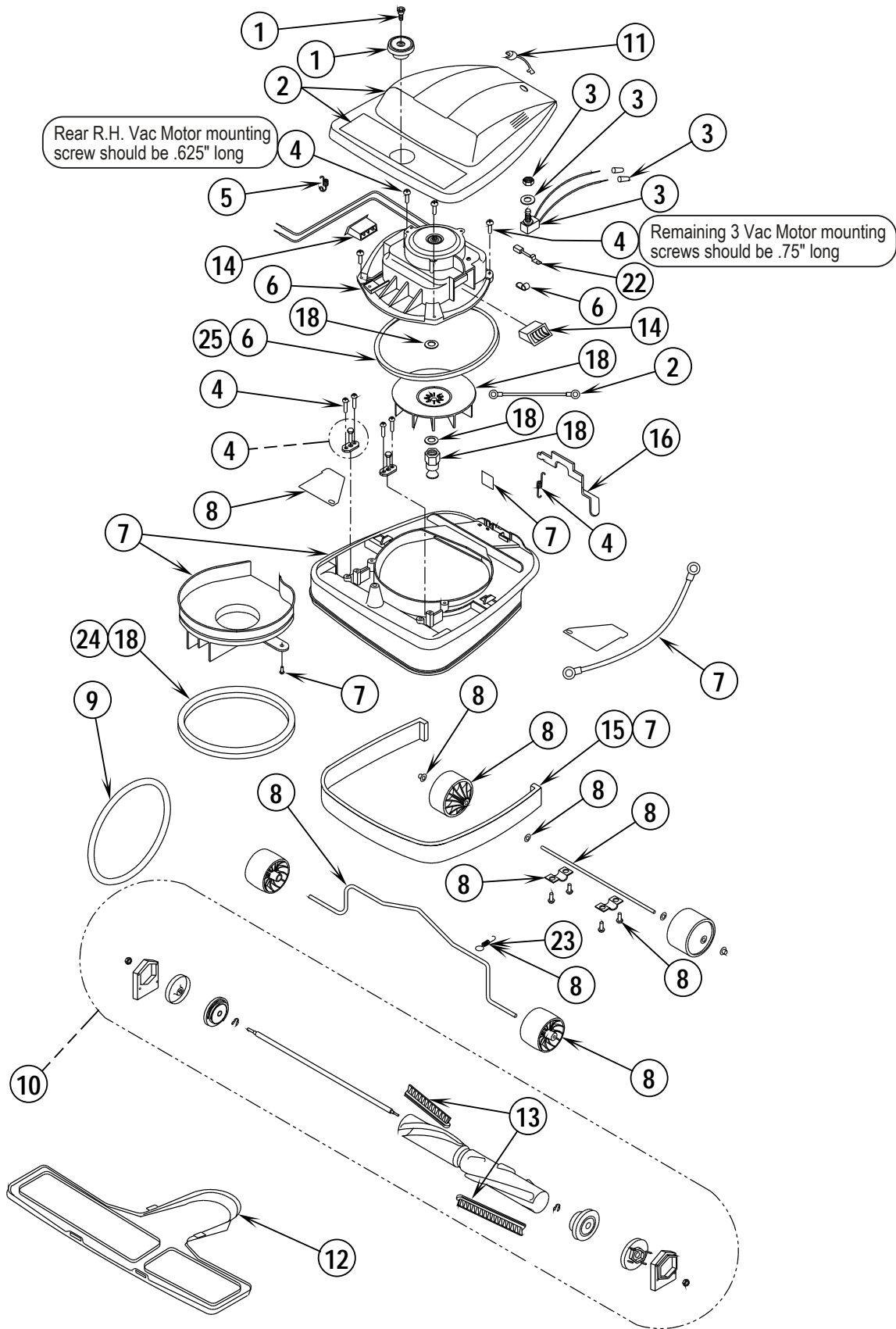


DESCRIPTION	PAGE
Base Assembly.....	2-3
Handle Assembly	4-5
Wiring Diagram	5

WHEN ORDERING PARTS

- * Use the part numbers from the "Ref. No." columns in this parts list.
- * Specify the model and serial number of the machine.
- * Use the space below to record the model and serial number for future reference.

Model _____ Serial No. _____



04-11

BASE ASSEMBLY

09-1

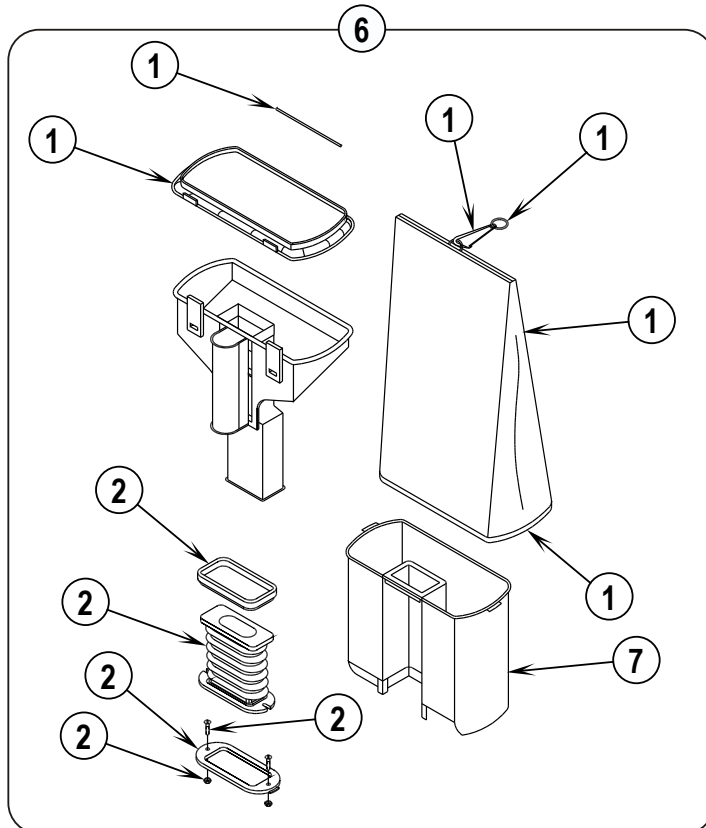
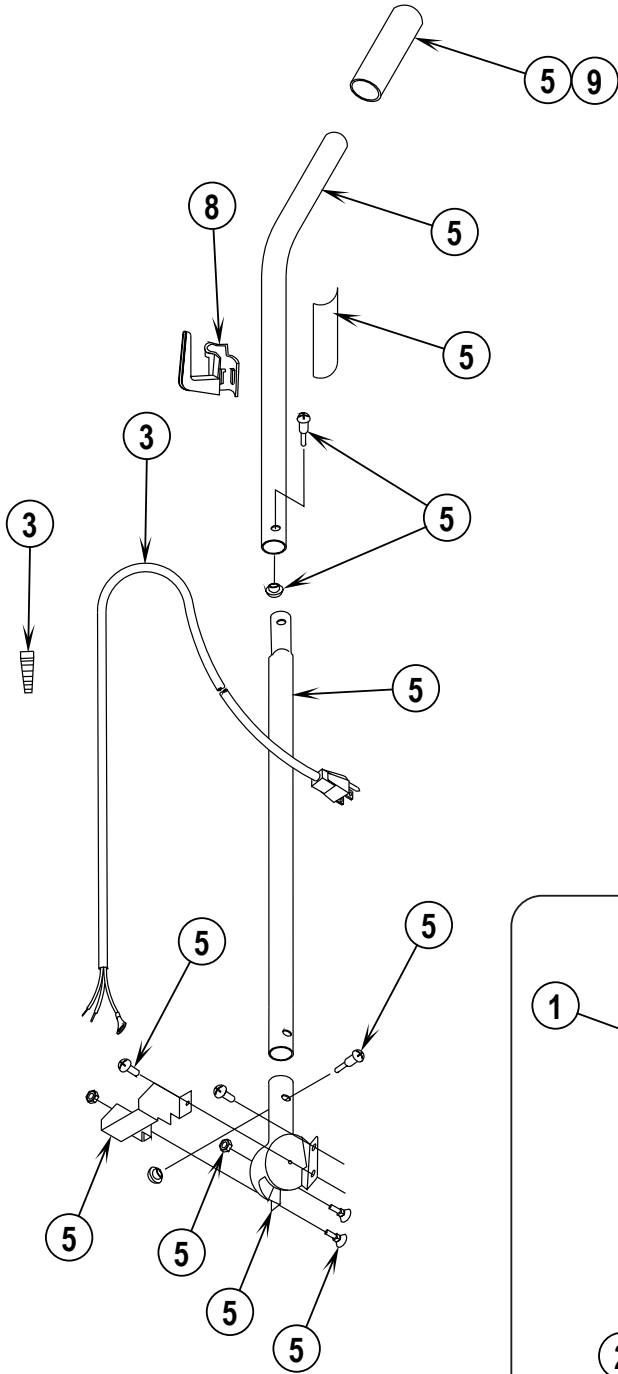
ReliaVac™ 12DC**3**

Item	Ref. No.	Qty	Description
1	56648400	1	Brush Height Knob Assembly
2#	56648401	1	Hood Assembly-Grey
#	30862A	1	Hood Assembly-Black
3	56648405	1	Switch Assembly
4	56648410	1	Hardware Kit Base
5	56630765	2	Spring, Ext .304d .930l .055wd
6	56648406	1	Motor & Seal Assembly
7	56648441	1	Base Assembly-12, Dirt Cup
#	60585A	1	Base Assembly-Black
8	56648422	1	Wheel Assembly
9	56630563	1	Belt-Disturbulator Drive
10	56630489	1	Disturbulator, Assembly
11	56648417	1	Power Cord Assembly (see #3 on page 5)
12	56630478	1	Asm, Plate--Bottom
13	56648412	1	Brush Strip Kit
14	56648418	1	Air Duct Assembly
15	56630508	1	Guard, Furn--Clear Blue, 31.00l
16	56630395	1	Pedal, Foot--Uppt, White
18	56648420	1	Pulley and Fan Kit
#	30864A	1	Pulley and Fan Kit-Green
22	56630561	2	Carbon Brush, Mtr
23	56630620	1	Spring, Ext .275d 1.50l .024wd
24#	56630562	1	Gasket-Motor Seal
25#	56648178	1	Gasket-Motor Seal
**	56052964	1	Magnet, Permanent
**	56630325	1	Upright Vacuum Accessory Kit

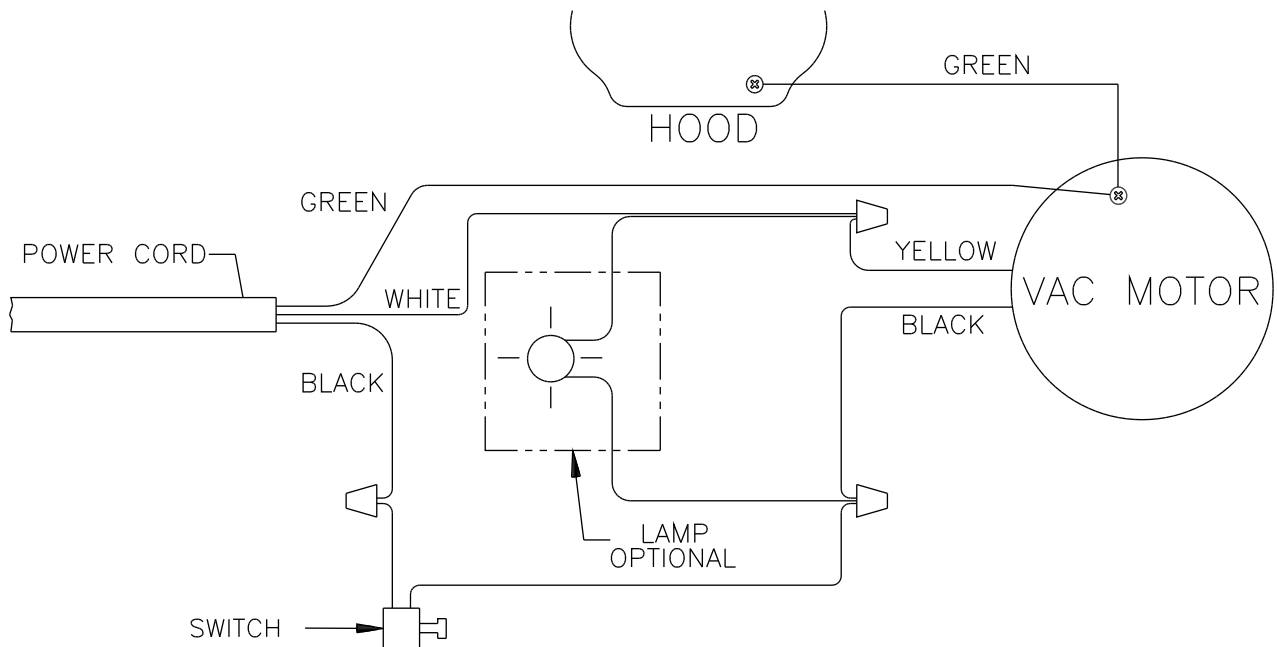
* = Not Shown

** = Not Included (optional)

= Revised or new since last update



Item	Ref. No.	Qty	Description
1	56648404	1	Dirt Cup Bag Kit
2	56648427	1	Dirt Cup Bellows Kit
3	56648417	1	Power Cord Assy (see #11 on page 3)
5	56648411	1	Handle Assy
6	56039515	1	Dirt Cup Kit
7	56630249	1	Cup--Dirt,Clear Plstc
8	56630353	1	Hook,Cord--Uppt,Dark Gray
9	56648429	1	Grip,Handle--Dark Gray





**Nilfisk
Advance**

setting standards

Nilfisk-Advance, Inc.
14600 21st Avenue North
Plymouth, MN 55447-3408
www.nilfisk-advance.com
Phone: 800-989-2235
Fax: 800-989-6566
©2009 Nilfisk-Advance, Inc.