



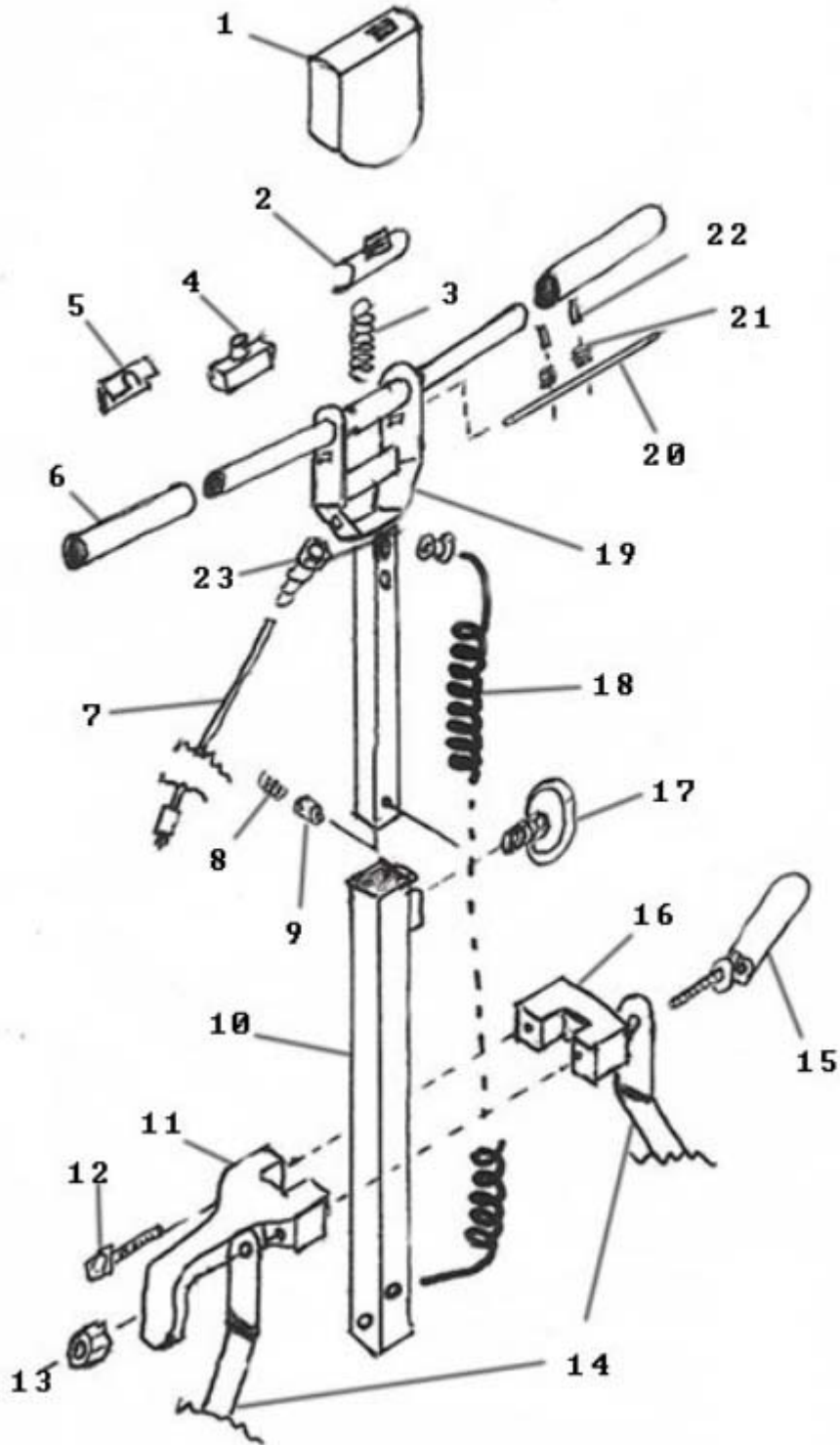
REPAIR PARTS LIST

Model

SC6001A

Floor Machine 13 inch ½ HP

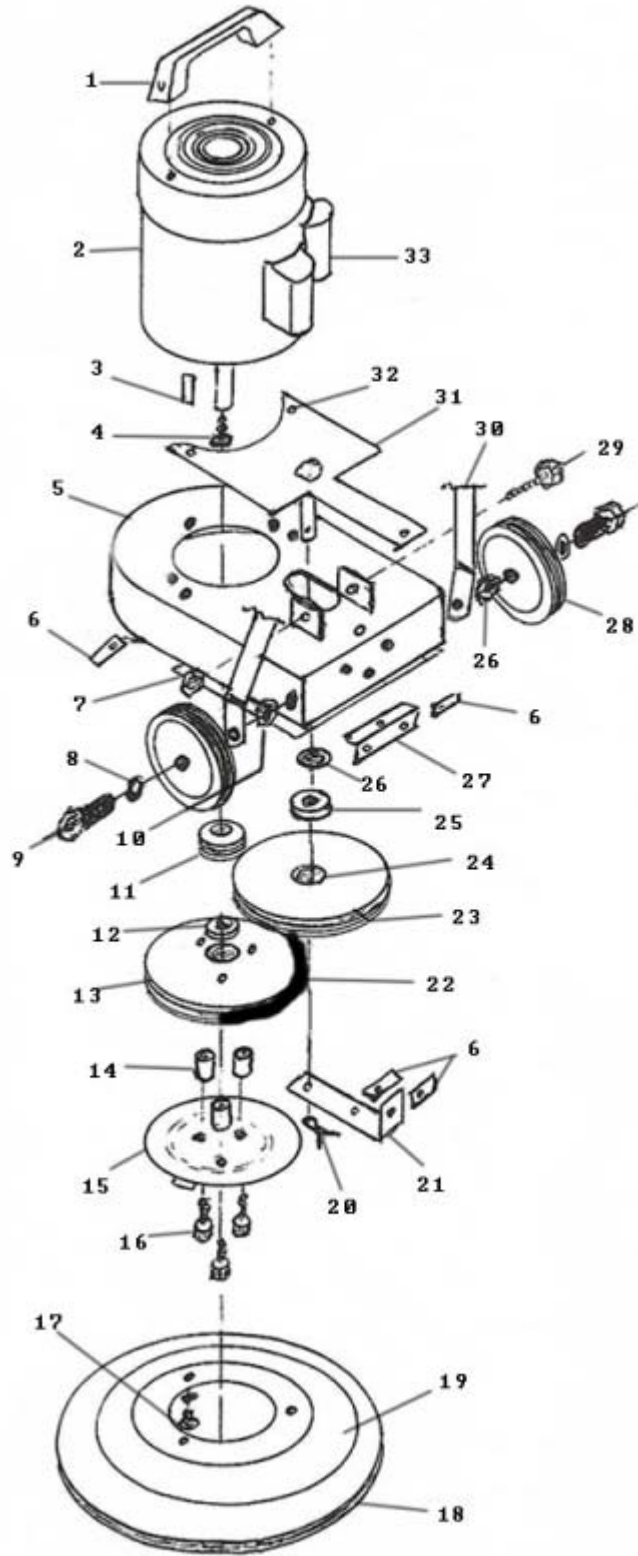
Handle - SC6001A



Handle - SC6001A

Ref #	Part	Description	Comments	Qty
1	W0003-3P-1			
2	C0003	SAFETY SWITCH		
3	H0014	SPRING 2LNG X .025 OD X .		
4	E0007	MAIN ON/OFF SWITCH		
5	H0013	SWITCH INSULATION		
6	C0007-2	HANDLE GRIP - GRAY		
7	E0031-2			
8	H0023	SPRING 11/16LNGX.344 ODX.		
9	M0003-2P			
10	W0002L-1P			
11	C0008P-1	PAINTED - CORD HOOK - GRA		
12	H0044	3/8-16 X 2-1/2H.C.S. GR8		
13	H0015	NUT-3/8 X 16 HEX NYLCK-ZI		
14	S0005P-1	PAINT-CONNECTING LEG - GR		
15	HP0003-1			
16	C0006P-1	PNT-CRDHK CAP/HDL LK CLMP		
17	H0101			
18	E0012-2			
19	W0002U-1P			
20	S0008P-1	PAINTED - TRIGGER - GRAY		
21	H0023	SPRING 11/16LNGX.344 ODX.		
22	H0012	ROLL PIN 1/8 C 1-3/4		
23	H0021-3	STRAIN RELIEF HEYCO - BLO		

Motor - SC6001A



Motor - SC6001A

Ref #	Part	Description	Comments	Qty
1	C0038			
2	E0002	MOTOR 1/2HP 115/230V 60C		
3	H0053-1	MOTOR/ PULLEY KEY		
4	H0056-8	1/4-20X1-1/4 HX TAP BLT 2		
5	W0001-2P-1	FRM ASSY-2PCS FR BLT DRV		
6	H0079-3			
7	C0037P			
8	H0007	SPRING WASHER .515 ID ZIN		
9	H0091-2			
10	H0090-1			
11	M0015-3	DRIVE PULLEY		
12	M0019-3	BEARING .625 ID		
13	M0014-1	PULLEY-IDLER DRIVE		
14	M0004	SPACER - 1.175 LONG		
15	C0036M			
16	H0056-5			
17	H0056-9			
18	C0015-1	13 INCH BUMPER - RED EURE		
19	S0020-1P-10	13 BRUSH COVER-HAMMER GRA		
20	H0006	COTTER PIN-ZIN 3/32 X 1		
21	S0040P			
22	C0014-3	BELT- SC6001A		
23	M0015-4	STEP PULLEY		
24	M0029			
25	M0019-2	BEARING .500 ID		
26	H0008	WASHER-ZINC PLATED STEEL		
27	S0041P			
28	C0004	WHEELS 1.25WX5 DIA W/1/2		
29	H0043-1			
30	S0005P-1	PAINT-CONNECTING LEG - GR		
31	W0001-2P-1	FRM ASSY-2PCS FR BLT DRV		
32	H0056-6	1/4-20X3/4		
33	E0008-4			