

 **Sanitaire[®]**

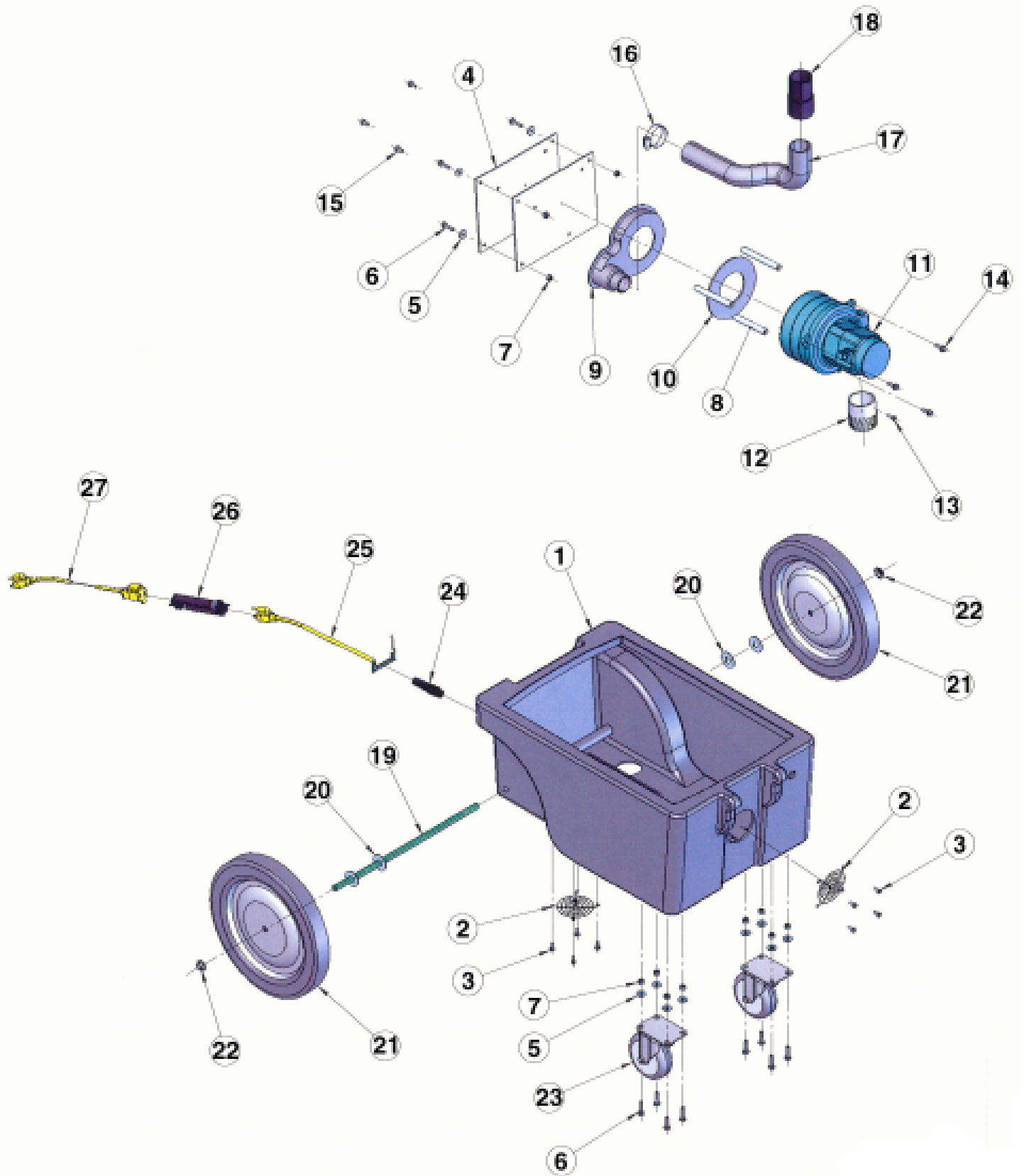
by
EUREKA

REPAIR PARTS LIST

SC6080

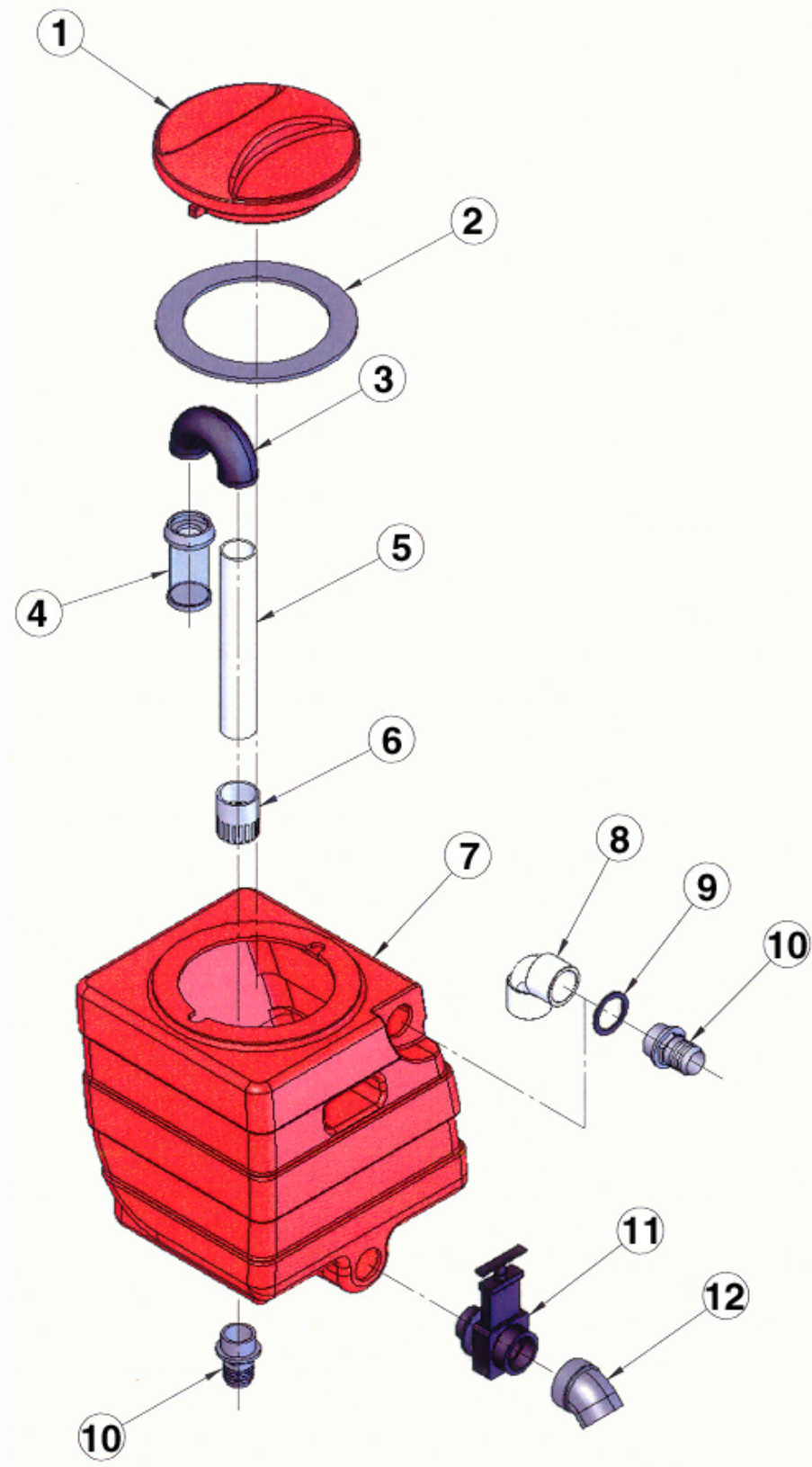
CANISTER CARPET CLEANER

Date: July 12, 2004



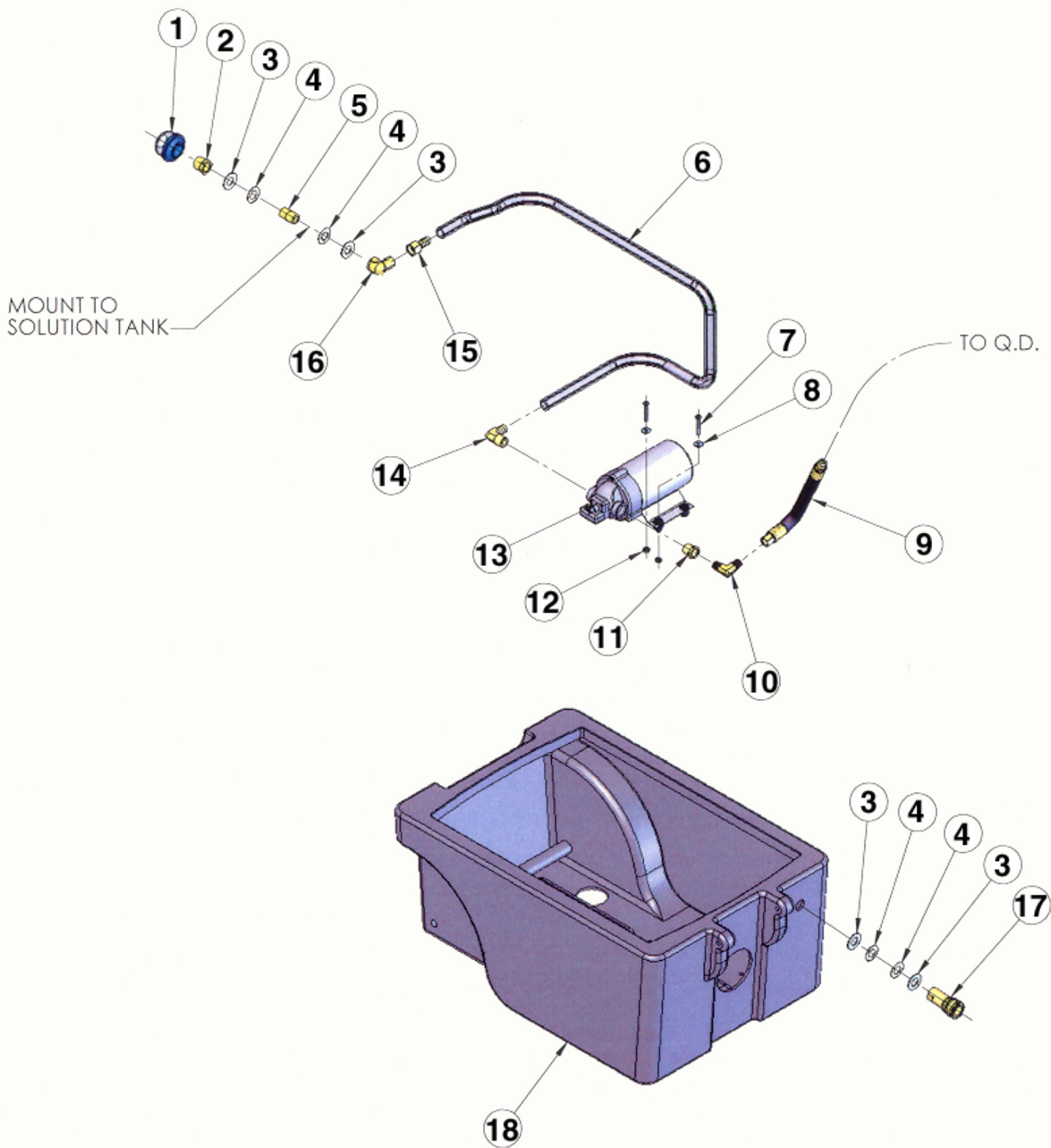
SC6080

| | | |
|-----|--------------|-------------------------------------------------|
| 1. | P799 | BASE (9-GALLON) |
| 2. | H296 | COOLING FAN WIRE GUARD |
| 3. | H206 | SCREW, HEX HD., SELF-TAPPING, #10-32 X 1/2" LG. |
| 4. | H330 | PLATE, SINGLE MANIFOLD |
| 5. | H210 | WASHER, FLAT, 1/4" |
| 6. | H342 | BOLT, HEX HD., 1/4-20 X 1" LG. |
| 7. | H216 | LOCKNUT, 1/4-20 |
| 8. | H501 | 3-STAGE VACUUM SUPPORT |
| 9. | P735 | SINGLE MANIFOLD |
| 10. | G004 | GASKET, VACUUM MOTOR |
| 11. | C302 | MOTOR, 3 STAGE 115V |
| 12. | H244 | ADAPTER, PVC, 1-1/2" |
| 13. | H343 | SCREW, SELF-TAPPING, #10 X 5/8" LG. |
| 14. | H768 | BOLT, 1/4-20 X 3/4" LG. SERRATED FLANGE |
| 15. | H201 | BOLT, 1/4-20 X 1/2" LG. HEX HEAD |
| 16. | H217 | HOSE CLAMP |
| 17. | PH627 (6080) | HOSE, VACUUM, 1-1/2" X 22" LG. |
| 18. | H300 | HOSE CUFF, 1-1/2" |
| 19. | PH620-16 | AXLE, 1/2" X 16" LG. |
| 20. | H254 | WASHER, AXLE, 5/8" ID |
| 21. | H251 | WHEEL, 12" |
| 22. | H219 | 1/2" AXLE CAP |
| 23. | H668 | CASTER, 4" DIA. |
| 24. | H856 | FITTING, STRAIN RELIEF 3/8" NPT |
| 25. | E548 | CORD, POWER, PIGTAIL, 16/3, 18" |
| 26. | G131 | CONNECTOR, CORD |
| 27. | E535 | CORD, EXTENSION, 16/3, 50' LG. |



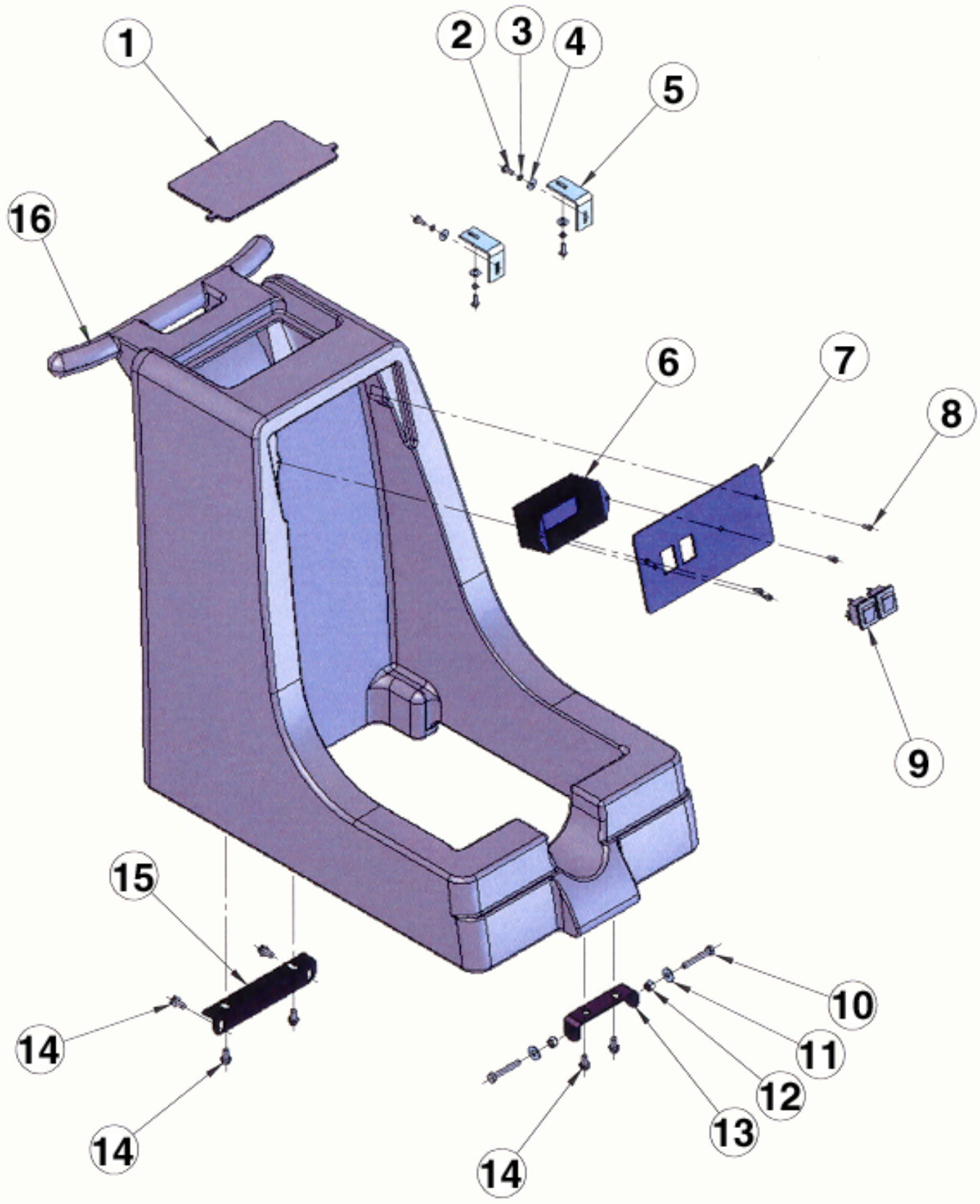
SC6080

- | | | |
|-----|----------|---------------------------------------------|
| 1. | P734N | LID, VACUUM TANK (FOR REPLACEMENT ONLY) |
| 2. | G005 | GASKET, VACUUM TANK LID |
| 3. | P755 | ELBOW FOR FLOAT ASSEMBLY |
| 4. | H235 | FLOAT CAGE |
| 5. | PH633-11 | PIPE, PVC, 1-1/2" X 11" LG. |
| 6. | H244 | ADAPTER, PVC, 1-1/2" |
| 7. | P801 | TANK, VACUUM (9-GALLON) |
| 8. | H243 | ELBOW, PVC, 90 DEG, 1-1/2" SLIP X 1-1/2" FT |
| 9. | G001 | GASKET, INLET, 1-1/2" |
| 10. | H229 | INLET FITTING, PVC, GRAY, 1-1/2" |
| 11. | H225 | DRAIN VALVE, 1-1/2" |
| 12. | H226 | DRAIN SPOUT, 45 DEG. |



SC6080

| | | |
|-----|----------|-------------------------------------------------|
| 1. | B119A | FILTER STRAINER, 1/2" |
| 2. | B210 | BUSHING, 1/2m X 3/8fm |
| 3. | H212 | WASHER, 9/16" ID |
| 4. | H413 | WASHER, NYLON |
| 5. | B216 | NIPPLE, 3/8" CLOSE |
| 6. | PH615-48 | HOSE, 1/2" KURITEK X 48" LG. |
| 7. | H222 | #10-32 X 1-1/4" LG. PHIL. PAN HD. SCREW |
| 8. | H289 | WASHER, FLAT. #10 |
| 9. | AH105A | HOSE, 3/8" SURGE X 15-3/4" LG. (W/ 1/4" M-FMSW) |
| 10. | B136 | 90 DEG 1/4" M X M |
| 11. | B105 | REDUCER, 3/8" M X 1/4" FM |
| 12. | H273 | KEP-NUT, #10-32 |
| 13. | C370 | PUMP, 150 psi, W/BYPASS DEMAND |
| 14. | B172 | 90 DEG 1/2" B X 3/8" MP |
| 15. | B160 | FITTING, 1/2 BARB X 3/8 FM SWIVEL |
| 16. | B186 | ELBOW, 90 DEG. 3/8" M X FM |
| 17. | B102 | QUICK DISCONNECT, 1/4" FEMALE |
| 18. | P799 | BASE (9-GALLON) |



SC6080

| | | |
|-----|--------------|-----------------------------------------|
| 1. | P800 (COVER) | COVER (SUPPLIED WITH SOLUTION TANK) |
| 2. | H230 | SCREW, #10-32 X 1/2" LG. PHIL. PAN HD. |
| 3. | H877 | #10 LOCK WASHER |
| 4. | H289 | WASHER, FLAT, #10 |
| 5. | H320 | "L" BRACKET |
| 6. | H437 | BOX, ELECTRICAL ENCLOSURE |
| 7. | H901 | SWITCH PLATE, 2-HOLE |
| 8. | H246 | SCREW, #8-32 X 3/8" LG. SOCKET HD. CAP |
| 9. | E515 | SWITCH, 2 POSITION ROCKER |
| 10. | H204 | BOLT, 1/4-20 X 1-3/4" LG. HEX HEAD |
| 11. | H210 | WASHER, FLAT, 1/4" |
| 12. | H216 | LOCKNUT, 1/4-20 |
| 13. | H379 | BRACKET, FRONT HINGE |
| 14. | H770 | BOLT, 1/4-20 X 1/2" LG. SERRATED FLANGE |
| 15. | H896 | LATCH BRACKET |
| 16. | P800 | TANK, SOLUTION (9-GALLON) |



SC6080 -- Optional Items

- | | | |
|----|------|---------------------------------------------------------------------------------|
| 1. | SC80 | INCLUDES: WAND, 12" S/S SINGLE BEND (8350) AND 15' VAC/SOL HOSE ASSEMBLY (8500) |
| 2. | SC81 | 8' ACCESSORY HOSE WITH 3" METAL NOZZLE |