



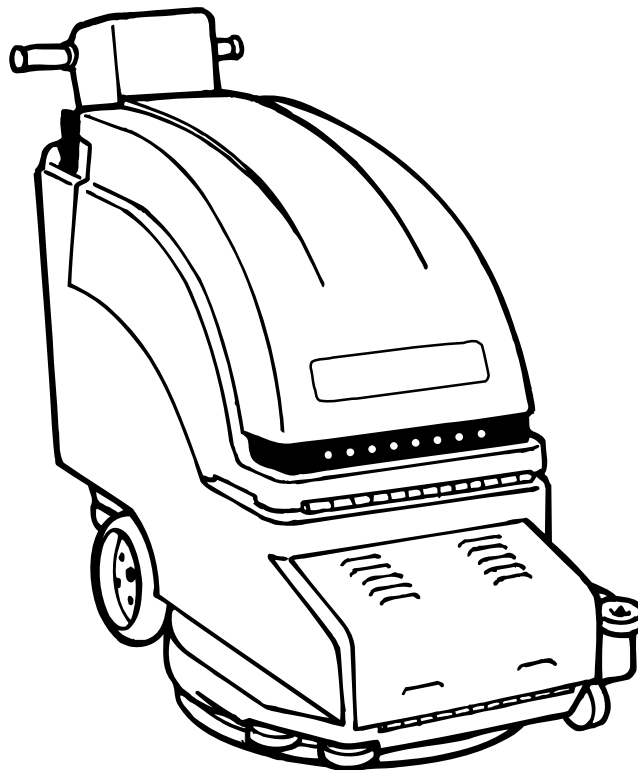
SpeedGleam®/Plus

36 Volt Dust Control Burnisher

Model No.:

- 608525 – SpeedGleam
- 609251 – SpeedGleam Can. Pac
- 608344 – SpeedGleam Plus
- 609252 – SpeedGleam Plus Can. Pac

Operator and Parts Manual

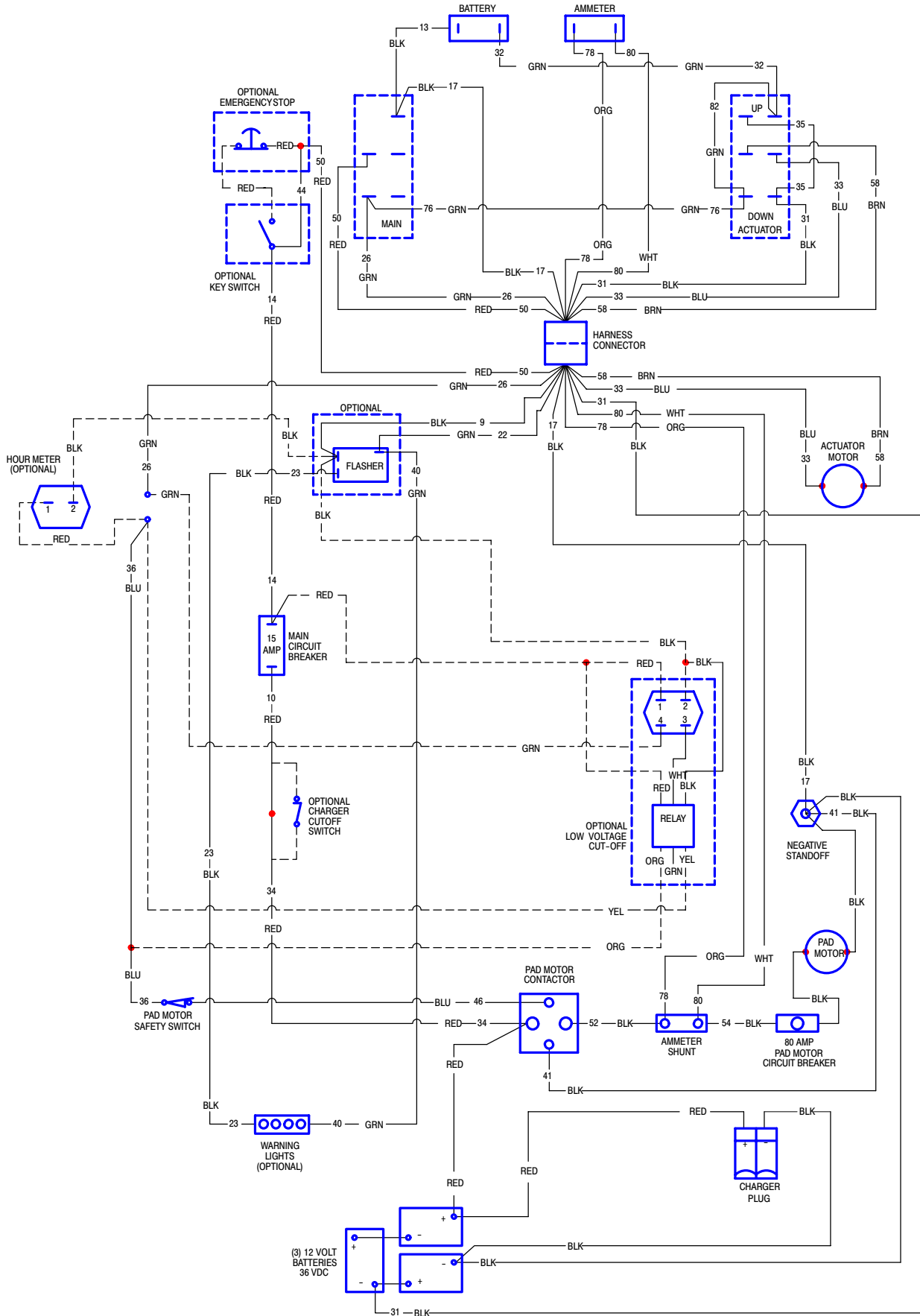


NOBLES
12875 RANSOM STREET
HOLLAND MI 49424 U.S.A.

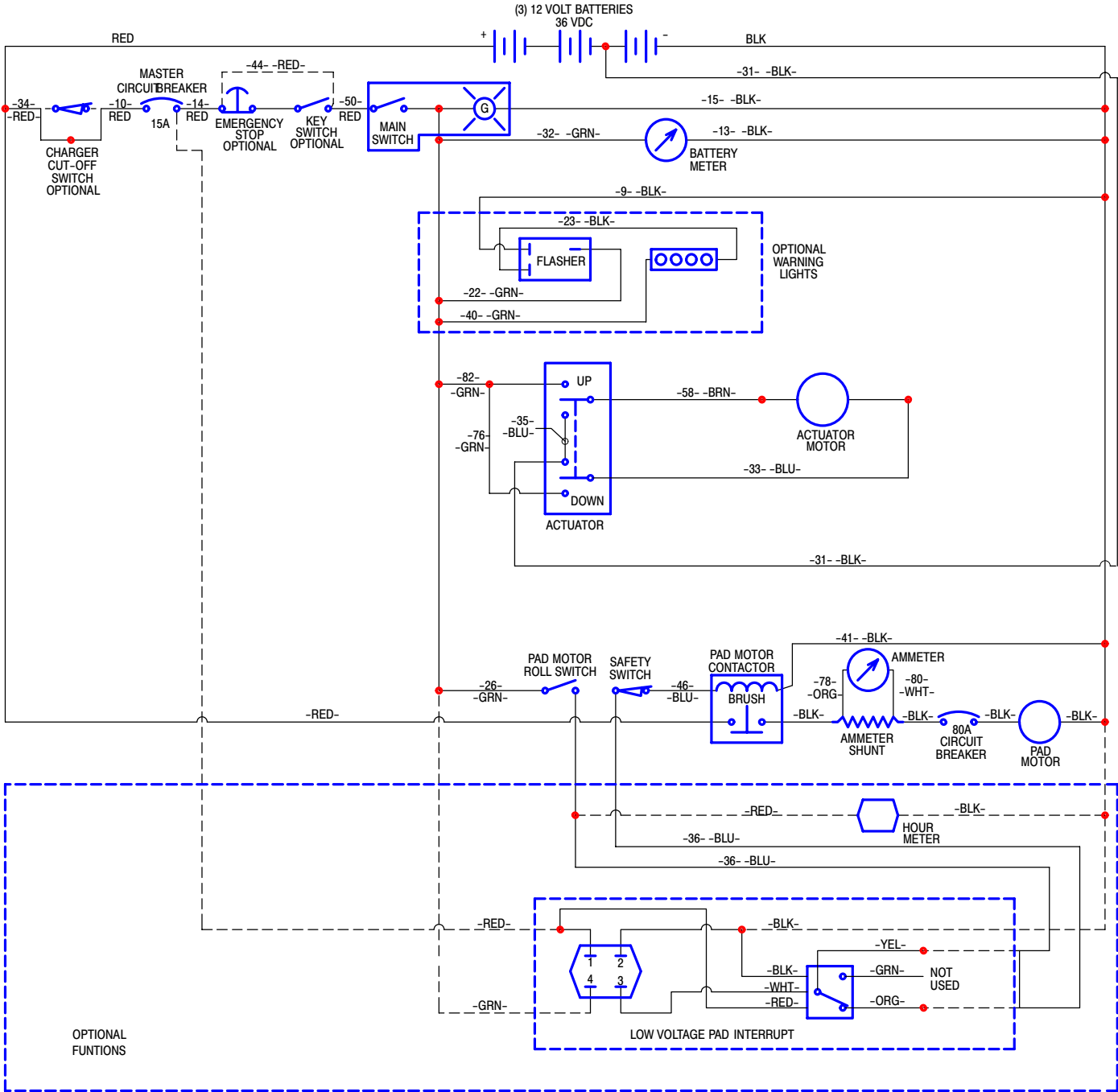
CUSTOMER SERVICE: 1-800-365-6625
FAX: 1-800-678-4240

608382
Rev. 00 (09-99)

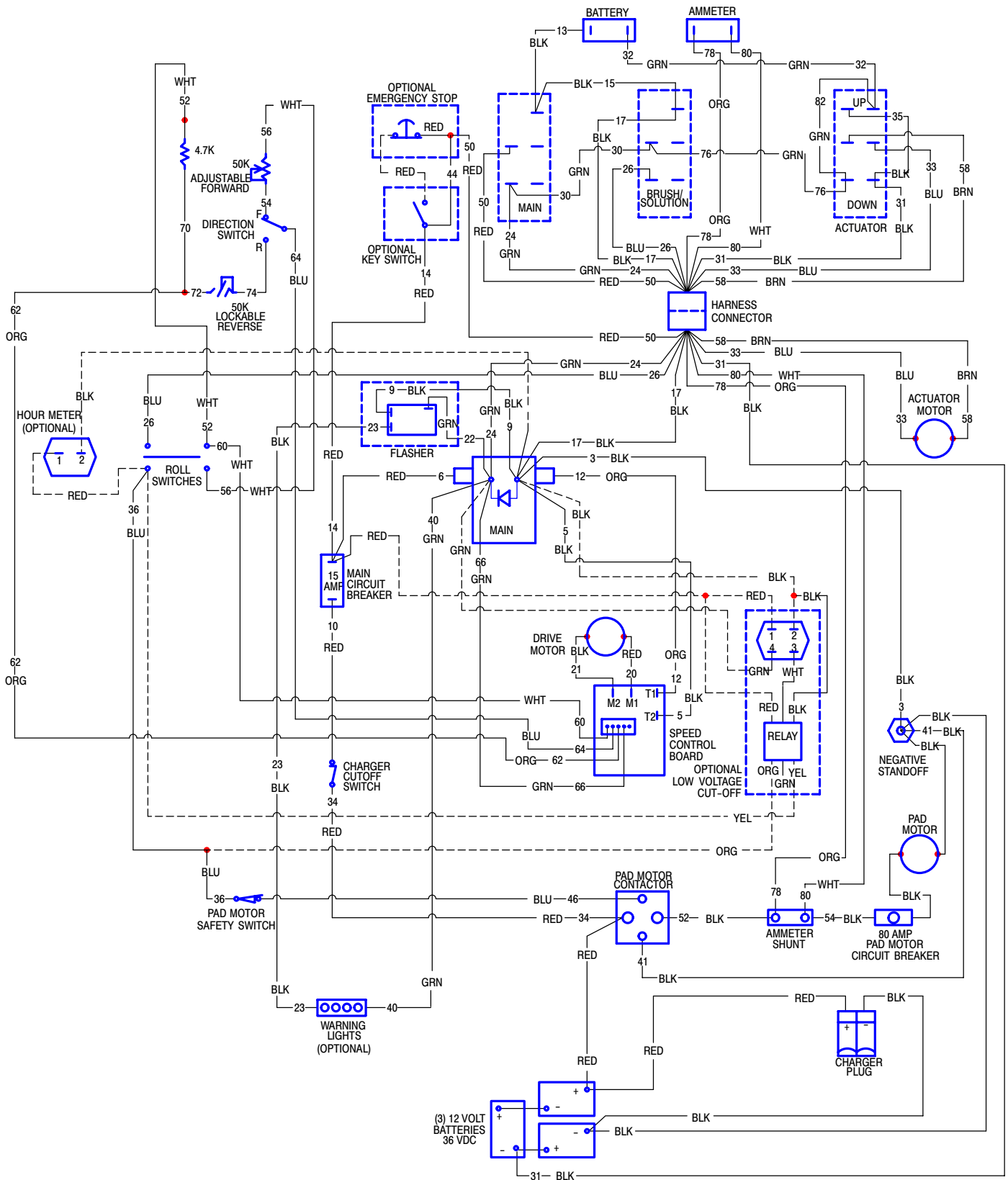
SpeedGleam® Wiring



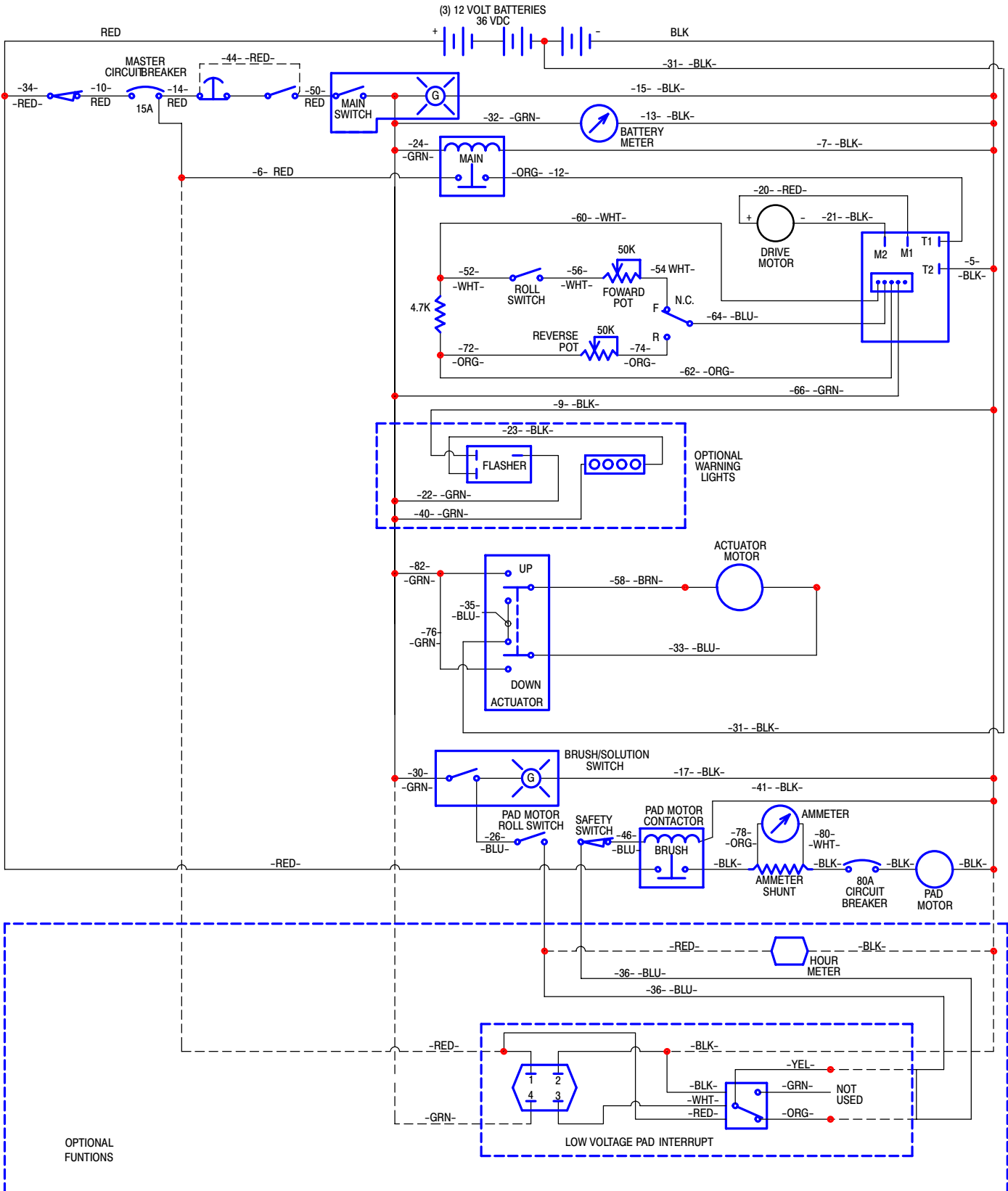
SpeedGleam® Ladder



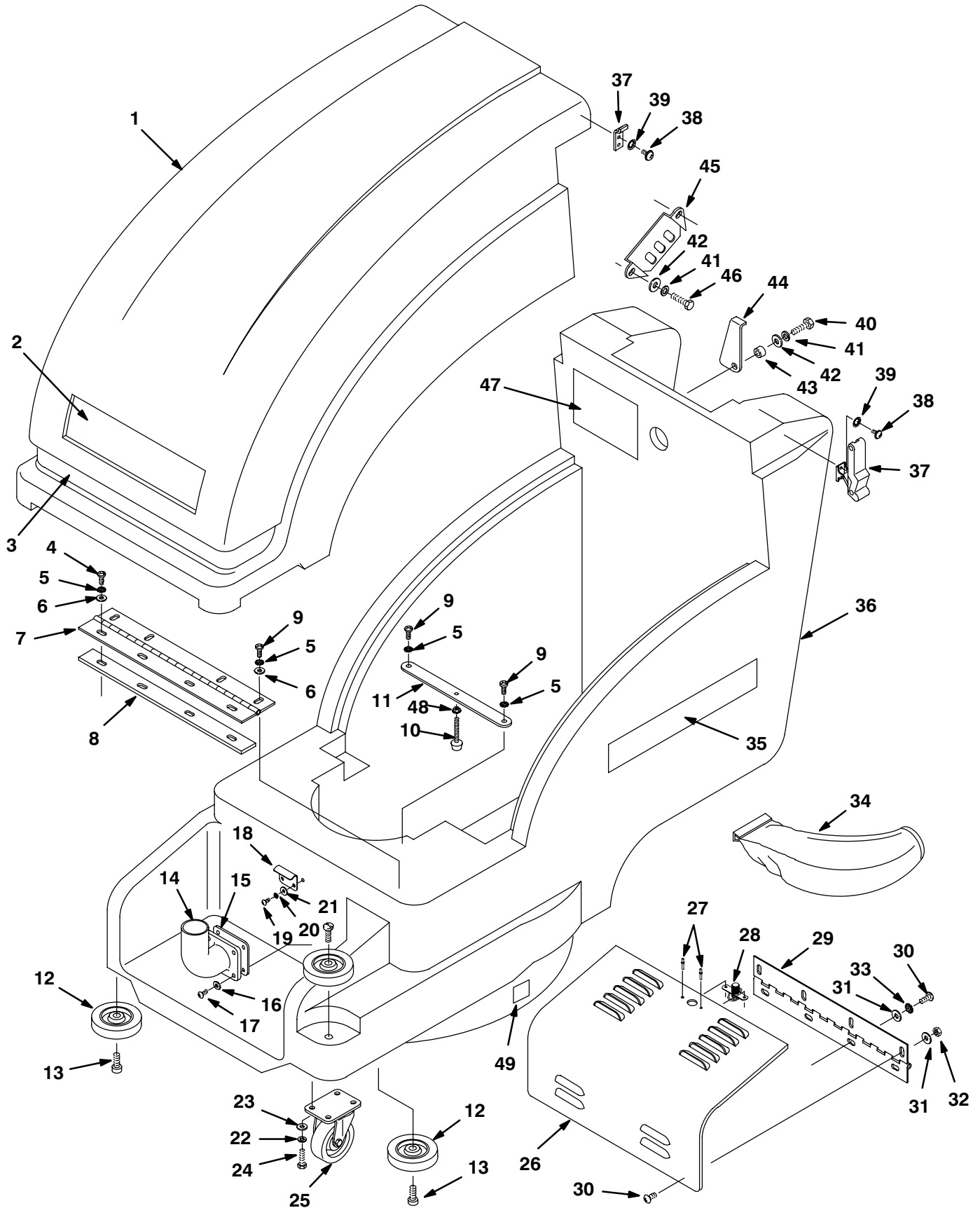
SpeedGleam® Plus Wiring



SpeedGleam® Plus Ladder



MAIN HOUSING GROUP



MAIN HOUSING GROUP

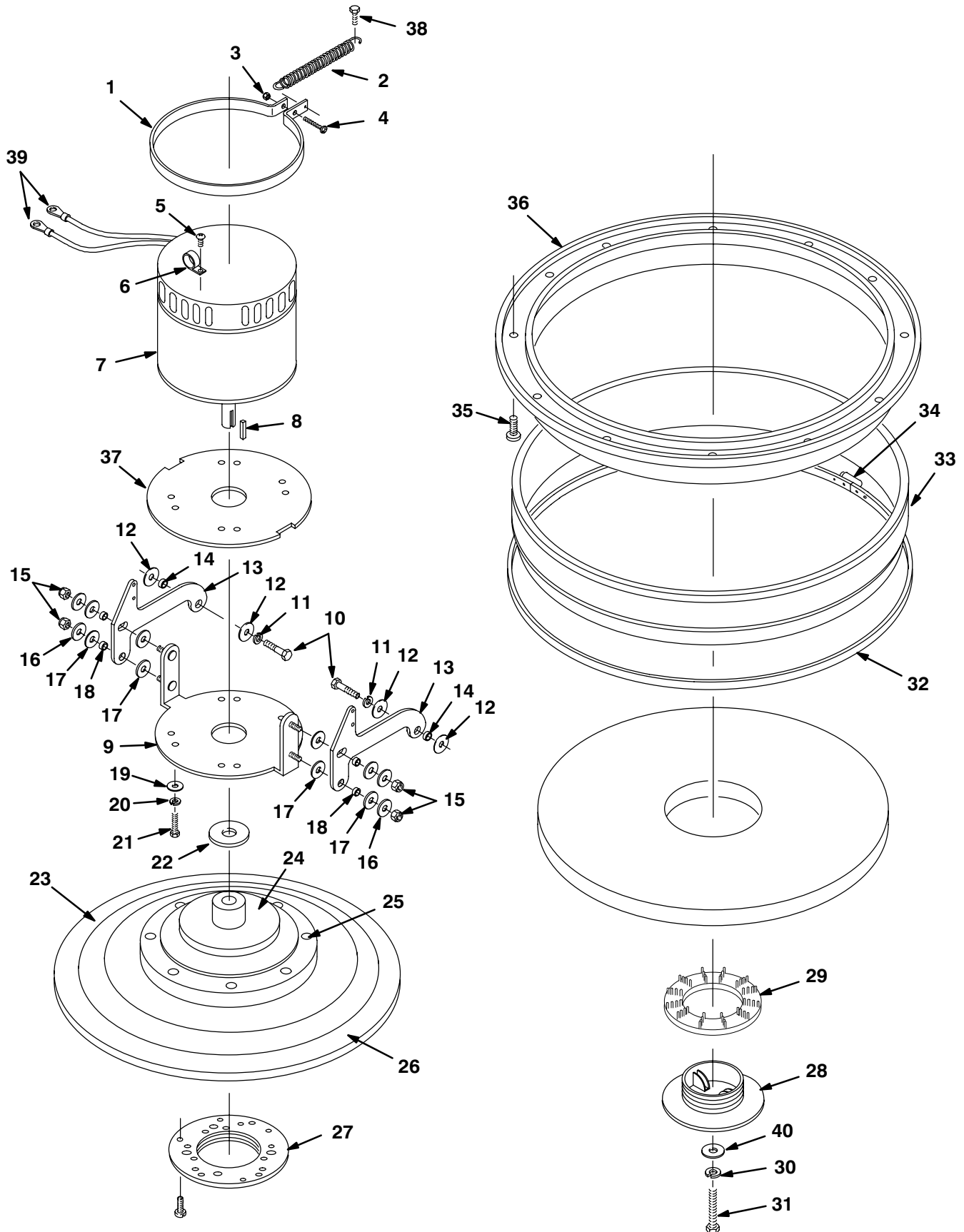
REF	PART #	DESCRIPTION	QTY.
1	608381	COVER, BATTERY COMPART, GREEN	1
2	608184	DECAL, NOBLES LOGO	1
3	604297	DECAL, RECESS BLACK	1
4	600385	SCREW, M6X1.0X20	4
5	140016	WASHER, 1/4 LOCK	8
6	140000	WASHER, 1/4 FLAT	8
7	603268	HINGE, HOOD	1
8	604296	SPACER, 1X16X1/4	1
9	578 187 000	SCREW, M6X1.0X12	6
10	606684	STOP, MOTOR	1
11	604276	BRACKET, MOTOR STOP	1
12	630450	WHEEL, RUBBER DIA 76 X 23 WD	4
13	603154	SCREW, M8X1.25X40	4
14	602721	ELBOW, DEFLECTOR RM-NAT	1
15	100121	GASKET, ELBOW 1/4"	1
16	578 186 000	WASHER, FLAT 4.3X12X1.0"	4
17	069 760 103	SCREW, RNDPHL #10, 1.0	4
18	604295	PLATE, LATCH	1
19	578 187 000	SCREW, M6X1.0X12 PANPHL	2
20	140016	WASHER, 1/4 LOCK	2
21	140000	WASHER, 1/4 FLAT	2
22	140015	WASHER, 5/16 SPLITLOCK	4
23	140027	WASHER, 5/16 FLAT	4
24	140275	SCREW, M8X1.25X16 HXHDCP	4
25	103001	CASTER, SWIVEL 3"	1
26	608512	COVER, DUST BAG, BLACK	1

REF	PART #	DESCRIPTION	QTY.
27	140706	RIVET, POP 1/8	2
28	140962	LATCH, SPRING KNURLED	1
29	603269	HINGE, DUST COVER	1
30	578 187 000	SCREW, M6X1.0X12	7
31	140000	WASHER, 1/4 FLAT	7
32	140284	NUT, M6X1.0 NYLOCK	3
33	140016	WASHER, 1/4 LOCK	4
34	900210	●BAG, CLOTH (OPTION)	1
	604237	●BAG, PAPER FILTER PK=10	1
35	608383 608523	DECAL, SPEEDGLEAM PLUS DECAL, SPEEDGLEAM	2 2
36	608379	CHASSIS, GREEN	1
37	140932	LATCH, HOOD RUBBER	2
38	200 070 340	SCREW, M4X.7X8 PANPHL	8
39	140023	WASHER, #8 INT	8
40	140275	SCREW, M8X1.25X16 HXHDCP	1
41	140015	WASHER, 5/16 SPLITLOCK	5
42	140027	WASHER, 5/16 FLAT	5
43	140116	BUSHING, 5/16ID X 7/16OD	1
44	604637	SUPPORT	1
45	230661	PLATE, LOCK CONTROL HOUSING	2
46	140275	SCREW, M8X1.25X16 HXHDCP	4
47	604304	DECAL, BATT HOOK-UP & CAUTIONS	1
48	140524	NUT, 1/4 X 20 KEP	1
49	578769	DECAL, MOVING PARTS	2

● Recommended Stock Item

PARTS LIST

PAD DRIVER GROUP



PAD DRIVER GROUP

REF	PART #	DESCRIPTION	QTY.
1	604278	BRACKET, MOTOR	1
2	604333	SPRING, EXT 1X.095X5	1
3	140284	NUT, M6X1.0 NYLOCK	1
4	630431	SCREW, M6X1.0X40 HXHDCP	1
5	140890	SCREW, 10-24X1/2 TRSPHL	1
6	140323	CLAMP, NYLON 1/2" ID	1
∇7	603398	MOTOR, 36VDC 2000 RPM 3HP	1
	621478	BRUSH, CARBON	4
▲8	140628	KEY, MOTOR 3/16X1	1
9	600198	BRACKET, MOTOR	1
10	140352	SCREW, M12X1.75X25 HXHDSS	2
11	140024	WASHER, 1/2" LOCK	2
12	140045	WASHER, FLAT .510X1.25X.06	4
13	603273	LIFT ARM MOTOR	2
14	140139	BUSHING	2
15	600200	NUT, 3/8-16 JAM NYLOCK	4
16	140028	WASHER, 3/8 FLAT	4
17	630447	WASHER, NYLON	8
18	600191	BUSHING, 3/8X1/2X.260	4
19	140028	WASHER, 3/8 FLAT	4
20	140017	WASHER, 3/8 SPLIT LOCK	4

REF	PART #	DESCRIPTION	QTY.
21	140201	SCREW, 3/8-16X3/4 HXHDCP	4
22	069 760 023	WASHER, FLAT .77X1.26X.03	1
∇23	27073	ASM., DRIVER PAD	1
▲24	27900	HUB, PAD DRIVER	1
▲25	190177	SCREW & CAPS (PACK OF 8)	1
▲26	27071	DISC, FLEXIBLE	1
▲∇27	25707	ASM., CENTERLOCK	1
▲28	100101	RING, PAD RETAINER	1
29	572 084 000	WASHER, PAD DRIVER LOCK	1
30	140015	WASHER, 5/16 SPLITLOCK	1
31	140203	SCREW, 5/16-24X1-1/4 HXHDCP	1
32	230912	STRAP, 3/8X100'	6.17ft
33	603744	●SKIRT, DUST CONTROL	1
34	230913	SCRU-SEAL & RACK	1
35	140340	SCREW, #10X5/8 PANPHL	6
36	230888	RING, DUST SHIELD	1
37	600195	SEAL, MOTOR BASE	1
38	600385	SCREW, M6X1.0X20 PANPHL	1
39	130162	TERMIANL, RING 1/4 8GA RED	2
40	25732	WASHER, FLAT 1.25X.359X.093	1

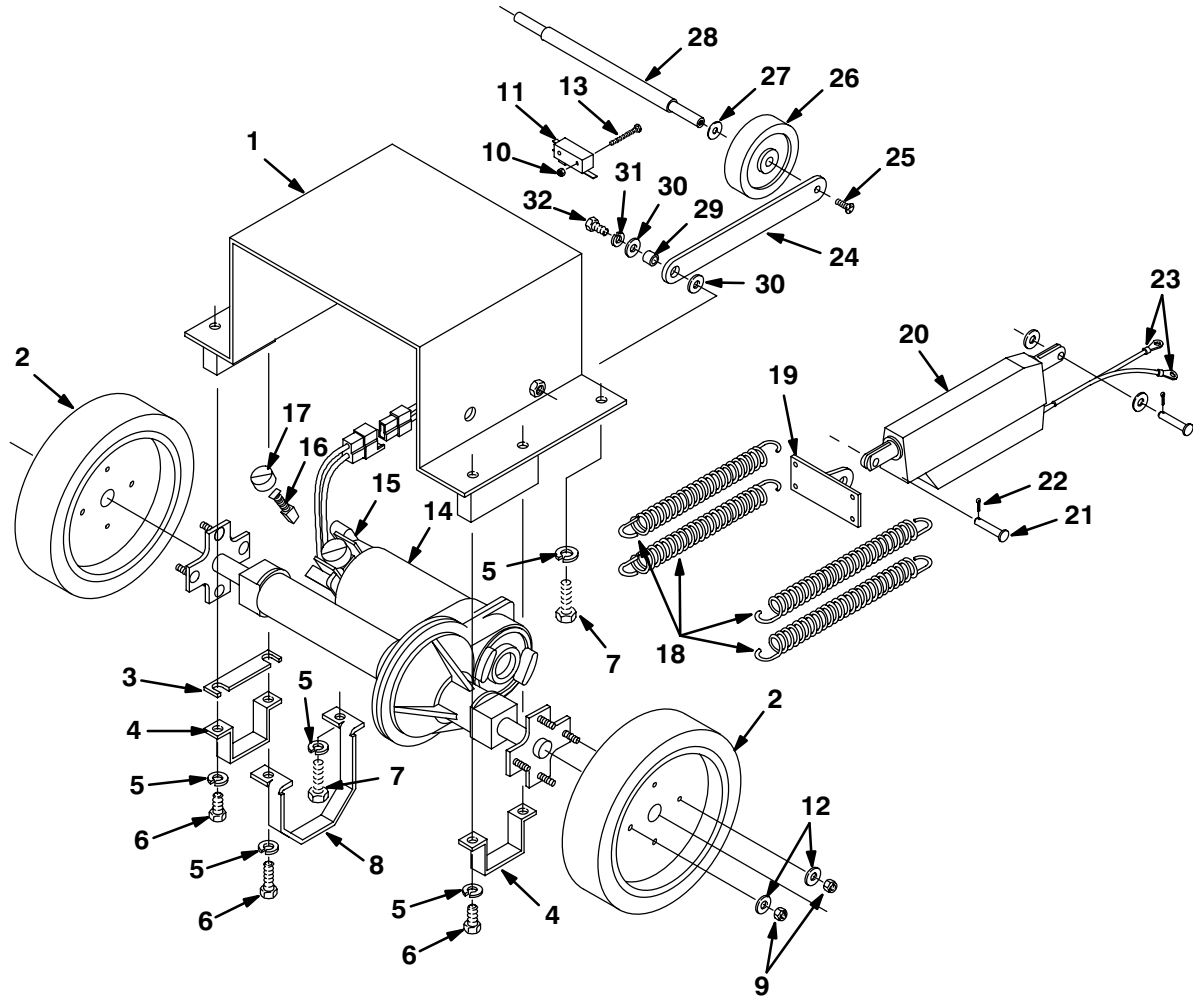
∇ Assembly

▲ Included in Assembly

● Recommended Stock Item

PARTS LIST

DRIVE GROUP (Plus Model)

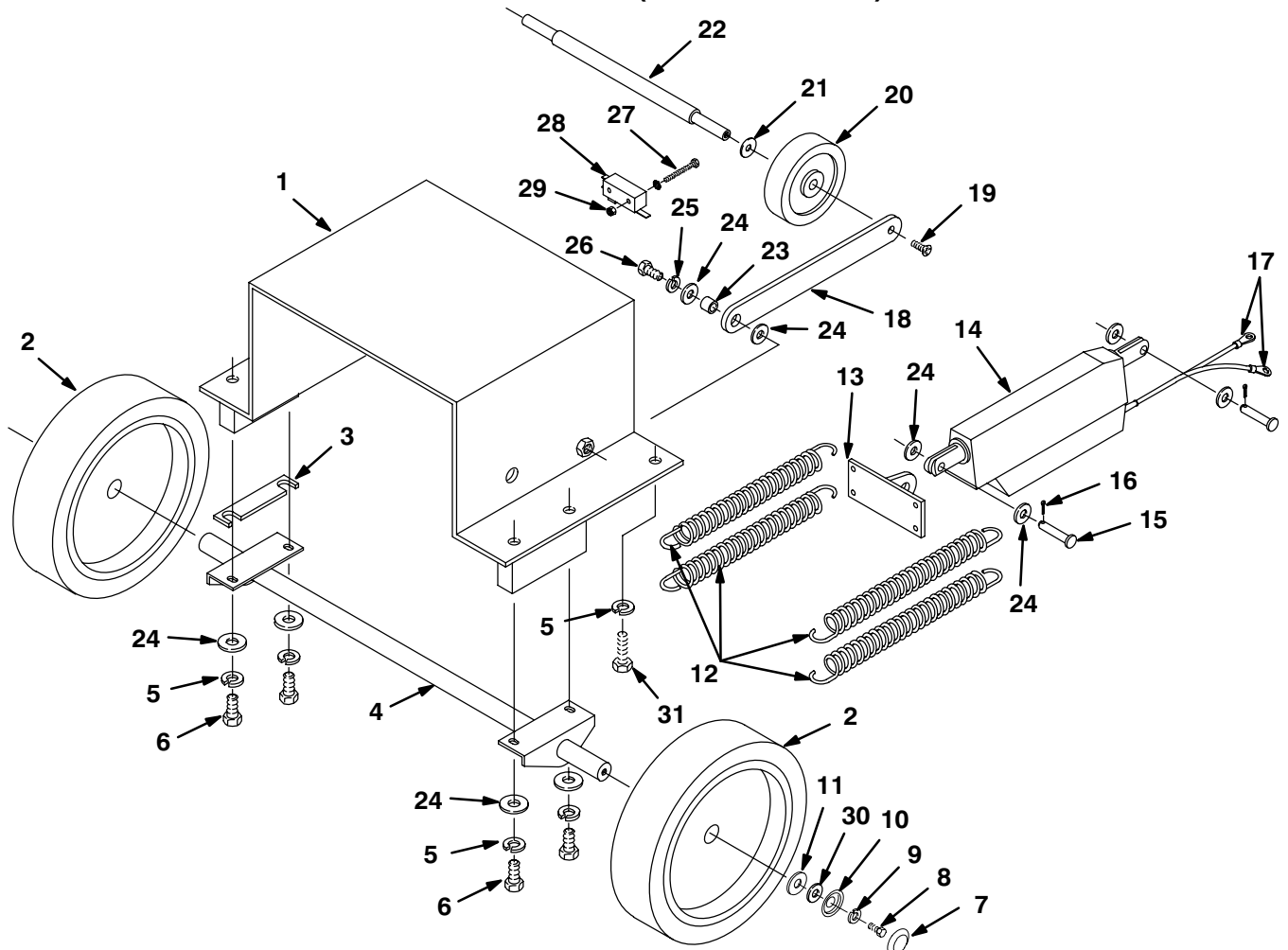


REF	PART #	DESCRIPTION	QTY.
1	603277	FRAME WELDMENT	1
2	640013	WHEEL, 8"DIA, 2"WIDE NEOPRENE	2
3	604293	SPACER, 3/4X4X1/8	1
4	602881	BRACKET, TRANSAXLE MTG	2
5	140333	WASHER, M10 SPLITLOCK	6
6	200 031 554	SCREW, HXHD M10X65	4
7	140277	SCREW, M10X1.50X20 HXHDPC	2
8	604277	GUARD, TRANSAXLE	1
9	630268	NUT, 1/4-28 HXLOCK	8
10	140539	NUT, 6-32 KEP	2
11	069 764 009	●SWITCH, SNAP 25A LEVER	1
12	140000	WASHER, 1/4 FLAT	8
13	140829	SCREW, 6-32X1 PANPHL	2
14	603450	TRANSAXLE, 36VDC	1
15	600606	END BELL, TRANSAXLE MOTOR	1
16	630504	●CARBON BRUSH (36V)	2
17	630503	●CAP, (36V)	2

REF	PART #	DESCRIPTION	QTY.
18	140431	SPRING, EXT 1X.095X5	4
19	603272	BRACKET, SPRING	1
20	600952	ACTUATOR	1
21	604076	PIN, CLEVIS 10X28MM	2
22	578421	PIN, COTTER	2
23	130133	TERMINAL	2
24	603267	PLATE, PIVOT ARM	2
25	069 762 098	SCREW, M6X1.0X16 FLTPHL	2
26	103066	WHEEL, 4"DIA X 1.5HUB X .50 GRAY	2
27	140045	WASHER, .510X1.25X.06 FLAT	2
28	603274	AXLE, REAR WHEELS	1
29	140144	BUSHING, .375X.500	2
30	140028	WASHER, 3/8 FLAT	2
31	140017	WASHER, 3/8 SPLITLOCK	2
32	140202	SCREW, 3/8-16X1 HXHDPC	2

● Recommended Stock Item

WHEEL GROUP (Standard Model)



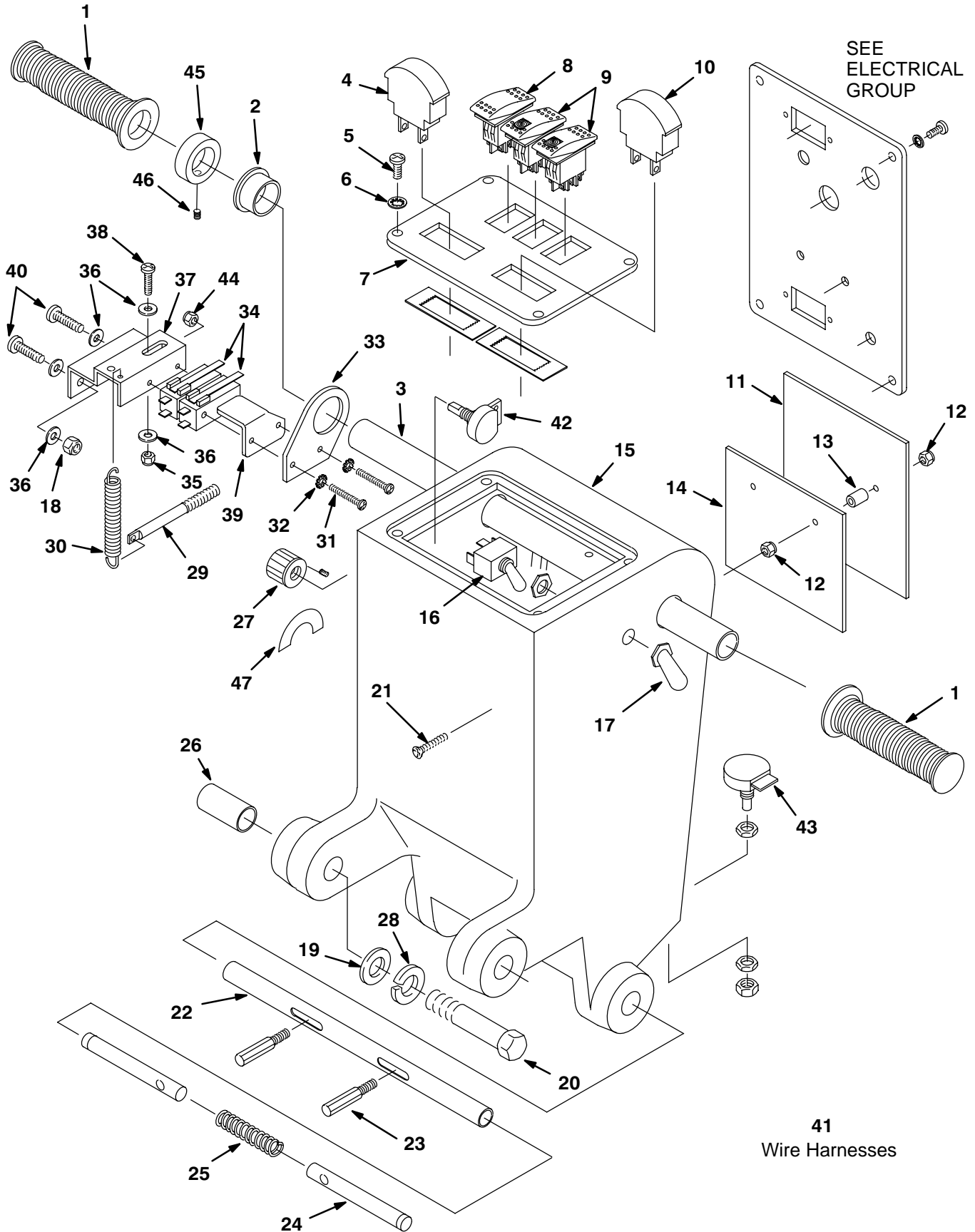
REF	PART #	DESCRIPTION	QTY.
1	603277	FRAME WELDMENT	1
2	25656	WHEEL, 8X1-5/8	2
	103071	BEARING, WHEEL REPLACEMENT	1
3	602883	SPACER, 3/4X4X1/8	1
4	603275	AXLE WELDMENT	1
5	140333	WASHER, M10 SPLITLOCK	6
6	200 031 554	SCREW, HXHD M10X65	4
7	150210	PLUG, CAP BLACK	2
8	140275	SCREW, M8X1.25X16 HXHD	2
9	140015	WASHER, 5/16 SPLITLOCK	2
10	140048	WASHER, 5/16 (FOR #150210)	2
11	140047	WASHER, 1.24X.754X.062	2
12	140431	SPRING, EXT 1.0X5	4
13	603272	BRACKET, SPRING	1
14	600952	ACTUATOR	1
15	604076	PIN, CLEVIS 10X28MM	2

REF	PART #	DESCRIPTION	QTY.
16	578421	PIN, COTTER	2
17	130133	TERMINAL	2
18	603267	PLATE, PIVOT ARM	2
19	069 762 098	SCREW, M6X1.0X16 FLTPHL	2
20	103066	WHEEL, 4" DIA X 1.5 HUB X .50 GRAY	2
21	140045	WASHER, .510X1.25X.06 FLAT	2
22	603274	AXLE, REAR WHEELS	1
23	140144	BUSHING, .375X.500	2
24	140028	WASHER, 3/8 FLAT	4
25	140017	WASHER, 3/8 SPLITLOCK	2
26	140202	SCREW, 3/8-16X1 HXHD	2
27	140829	SCREW, 6-32X1 PANPHL	2
28	069 764 009	● SWITCH, SNAP 25A LEVER	1
29	140539	NUT, 6-32 KEP	2
30	140055	WASHER, FLAT .343X1.25X.057	2
31	140277	SCREW, M10X1.50X20	2

● Recommended Stock Item

PARTS LIST

CONTROL CONSOLE GROUP (Plus Model)



CONTROL CONSOLE GROUP (Plus Model)

REF	PART #	DESCRIPTION	QTY.
1	200823	GRIP, HANDLE TUBE	2
2	27099	BUSHING	1
3	604402	HANDLE, TUBE	1
4	603848	GAUGE, PAD PRESSURE	1
5	578 141 000	SCREW, M5X10MM	4
6	140018	WASHER, LOCK	4
7	603757	PANEL, CONTROL W/SILKSCREEN	1
8	603399	●SWITCH, DPST MOM ROCKER	1
9	601107	●SWITCH, LIGHTED ON/OFF	2
10	603847	METER, BATTERY VOLTAGE 36V	1
11	606529	●SPEED CONTROL, PMC, 40 AMP	1
12	200 160 014	NUT, M4	4
13	630261	SPACER	2
14	630128	HEAT SINK	1
15	608299	HOUSING, CONTROL, GREEN	1
16	601108	●SWITCH, TOGGLE	1
17	130753	BOOT, SWITCH	1
18	140284	NUT, M6 NYLOCK	2
19	140045	WASHER, FLAT 1/2	2
20	140351	SCREW, M12X70MM	2
21	630304	SCREW, M4X35MM	2
22	230715	TUBE, HANDLE ADJUSTMENT	1
23	230649	PIN, HANDLE ADJUSTMENT	2
24	230710	PIN, HANDLE LOCK	2
25	140415	SPRING, LOCK PIN	1

REF	PART #	DESCRIPTION	QTY.
26	140155	BUSHING	2
27	606550	KNOB, SPEED CONTROL	1
28	140024	WASHER, LOCK 1/2	2
29	602886	PIN, SPRING RETURN	1
30	601118	SPRING, EXTENSION	1
31	140830	SCREW, 6-32X1-5/8	2
32	140019	WASHER, LOCK #6	2
33	27098	BRACKET, SWITCH	1
34	130729	●SWITCH, ROLL	2
35	140552	NUT, M6	1
36	140000	WASHER, FLAT 1/4	5
37	25671	MOUNT, SWITCH	1
38	140890	SCREW, 10-24X1/2	1
39	603830	PLATE, GUARD SWITCH	1
40	578 321 000	SCREW, M6X16MM	2
▽41	602873	●HARNES CONSOLE W/POT. (NOT SHOWN)	1
	606538	HARNES, WIRE MAIN (NOT SHOWN)	1
	605840	WRAP, LOOM .75DIA, 1FT (NOT SHOWN)	1
▲42	130776	●POTENTIOMETER, 50K	1
▲43	130775	●POTENTIOMETER, 50K LOCKABLE	1
44	069 762 159	NUT, 6-32 HEX STD	2
45	605094	COLLAR, HANDLE	2
46	140859	SETSCREW	2
47	606549	DECAL, SPEED CONTROL	1

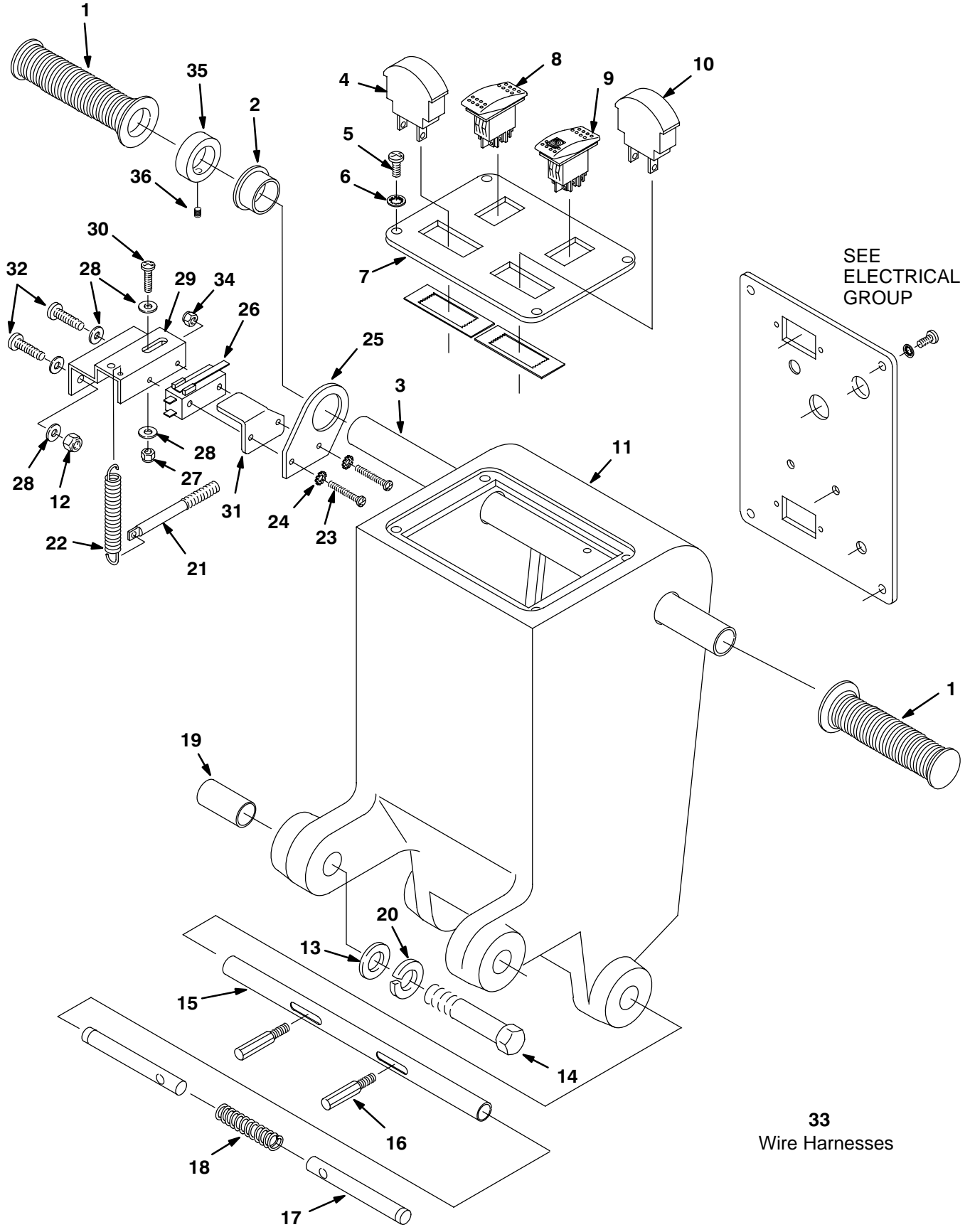
▽ Assembly

▲ Included in Assembly

● Recommended Stock Item

PARTS LIST

CONTROL CONSOLE GROUP (Standard Model)



33
Wire Harnesses

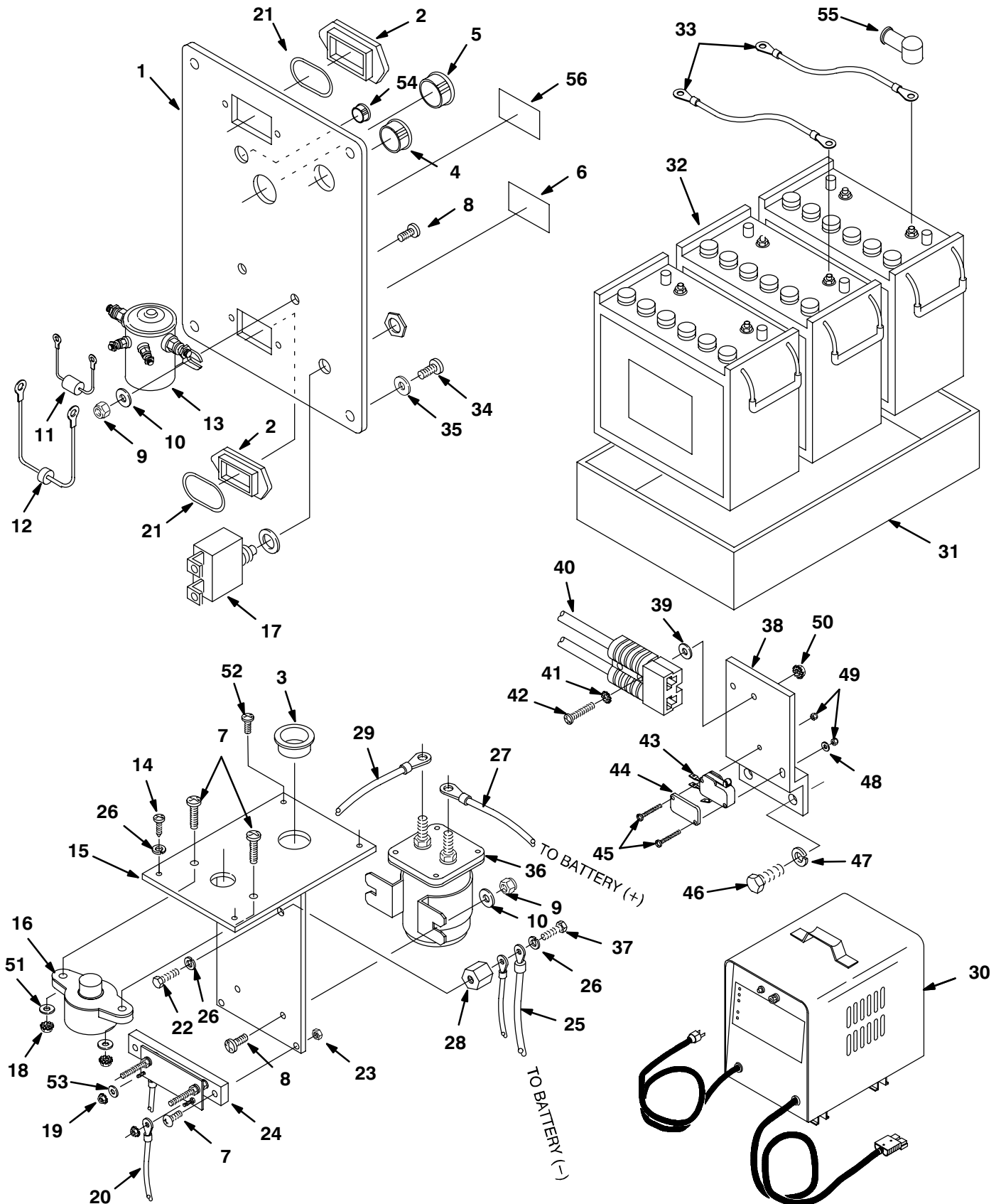
CONTROL CONSOLE GROUP (Standard Model)

REF	PART #	DESCRIPTION	QTY.
1	200823	GRIP, HANDLE TUBE	2
2	27099	BUSHING	1
3	604402	HANDLE, TUBE	1
4	603848	GAUGE, PAD PRESSURE	1
5	578 141 000	SCREW, M5X10MM	4
6	140018	WASHER, LOCK	4
7	604269	PANEL, CONTROL W/SILKSCREEN	1
8	603399	●SWITCH, DPST MOM ROCKER	1
9	601107	●SWITCH, LIGHTED ON/OFF	1
10	603847	METER, BATTERY VOLTAGE 36V	1
11	608524	HOUSING, CONTROL, GREEN	1
12	140284	NUT, M6 NYLOCK	2
13	140045	WASHER, FLAT 1/2	2
14	140351	SCREW, M12X70MM	2
15	230715	TUBE, HANDLE ADJUSTMENT	1
16	230649	PIN, HANDLE ADJUSTMENT	2
17	230710	PIN, HANDLE LOCK	2
18	140415	SPRING, LOCK PIN	1
19	140155	BUSHING	2

REF	PART #	DESCRIPTION	QTY.
20	140024	WASHER, LOCK 1/2	2
21	602886	PIN, SPRING RETURN	1
22	601118	SPRING, EXTENSION	1
23	140829	SCREW, 6-32X1	2
24	140019	WASHER, LOCK #6	2
25	27098	BRACKET, SWITCH	1
26	130729	●SWITCH, ROLL	1
27	140552	NUT, 10-24 NYLOCK	1
28	140000	WASHER, FLAT 1/4	5
29	25671	MOUNT, SWITCH	1
30	140890	SCREW, 10-24X1/2	1
31	603830	PLATE, GUARD SWITCH	1
32	578 321 000	SCREW, M6X16MM	2
33	606539	HARNESS, WIRE MAIN (NOT SHOWN)	1
	605840	WRAP, LOOM .75DIA, 1FT (NOT SHOWN)	1
34	069 762 159	NUT, 6-32 HEX STD	2
35	605094	COLLAR, HANDLE	2
36	140859	SETSCREW	2

● Recommended Stock Item

ELECTRICAL/BATTERY GROUP



ELECTRICAL/BATTERY GROUP

REF	PART #	DESCRIPTION	QTY.
1	604939	PANEL, CONTROL HOUSING	1
2	222519	PLUG	2
3	069 762 009	GROMMET, DIA 25.4X03	2
4	130175	PLUG, DOME .750	1
5	130161	PLUG, DOME .875	1
6	630420	DECAL, FLAMMABLE MATERIAL	1
7	578 302 000	SCREW, M5X26 PANPHL	4
8	578 321 000	SCREW, M6X16MM	4
9	140284	NUT, M6 NYLOCK	4
10	140000	WASHER, FLAT 1/4	4
11	606404	●DIODE, 400V (PLUS MODEL)	1
12	604486	●DIODE, 400V (PLUS MODEL)	1
13	130733	●SOLENOID, 36V (PLUS MODEL)	1
14	578 187 000	SCREW, M6X1.0X12 PANPHL	3
15	604271	BRACKET, ELECTRICAL CHASSIS	1
16	130781	●BREAKER, CIRCUIT 80 AMP	1
17	603487	●BREAKER, CIRCUIT BRUSH 15 AMP	1
18	140283	NUT, M5X.8 NYLOCK	2
19	140524	NUT, 1/4-20 KEP	2
20	604292	ASM, WIRE #4 BLK X 6"	1
21	603224	O-RING	2
22	140553	SCREW, 1/4-20X1/2 HXHDCP	1
23	140283	NUT, M5X.8 NYLOCK	2
24	25646	SHUNT	1
25	604290	ASM, WIRE #4 BLK X 27"	1
26	140016	WASHER, LOCK 1/4	5
27	604289	ASM, WIRE #4 RED X 46"	1
28	578427	STANDOFF, TERMINAL	1
29	604291	ASM, WIRE #4 BLK X 6"	1
30	469 760 868	CHARGER, 36DC 25 AMP (OPTIONAL)	1

REF	PART #	DESCRIPTION	QTY.
31	604298	TRAY, BATTERY	1
32	600394	BATTERY, 12V 215A (OPTIONAL)	3
33	611 116 000	CABLE, BATTERY #6 BLACKX15"	2
34	578 141 000	SCREW, M5X10	4
35	140018	WASHER, LOCK #10	4
36	621 381 000	●CONTACTOR	1
37	140553	SCREW, 1/4-20X1/2 HXHDCP	1
38	604270	BRACKET, CHARGER PLUG	1
39	140026	WASHER, #6 FLAT	4
40	604288	ASM., CABLE CHARGE PLUG	1
41	140019	WASHER, 36 EXT	2
42	140829	SCREW, 6-32X1 PANPHL	2
43	600437	●SWITCH, ROLLER 15A (PLUS MODEL)	1
44	601359	PLATE, SWITCH BACKING (PLUS MODEL)	1
45	578 403 000	SCREW, M3X20 PANPHL (PLUS MODEL)	2
46	578 187 000	SCREW, M6X1.0X12 PANPHL	2
47	140016	WASHER, 1/4 LOCK	2
48	601 127 000	WASHER, FLAT (PLUS MODEL)	1
49	579211	NUT, M3 HEXLOCK (PLUS MODEL)	2
50	140539	NUT, 6-32 KEP	2
51	140011	WASHER, 3/16 FLAT	2
52	140340	SCREW, #10X5/8 PANPHL	1
53	140026	WASHER, #6 FLAT	1
54	604940	PLUG, DOME	1
55	611221	BOOT, BATTERY, BLACK	3
	611222	BOOT, BATTERY, RED	3
56	578729	DECAL, READ MANUAL	1

● Recommended Stock Item